

# MUD GUARDS KIT



P/N 2889639

## MISSING OR DAMAGED PARTS

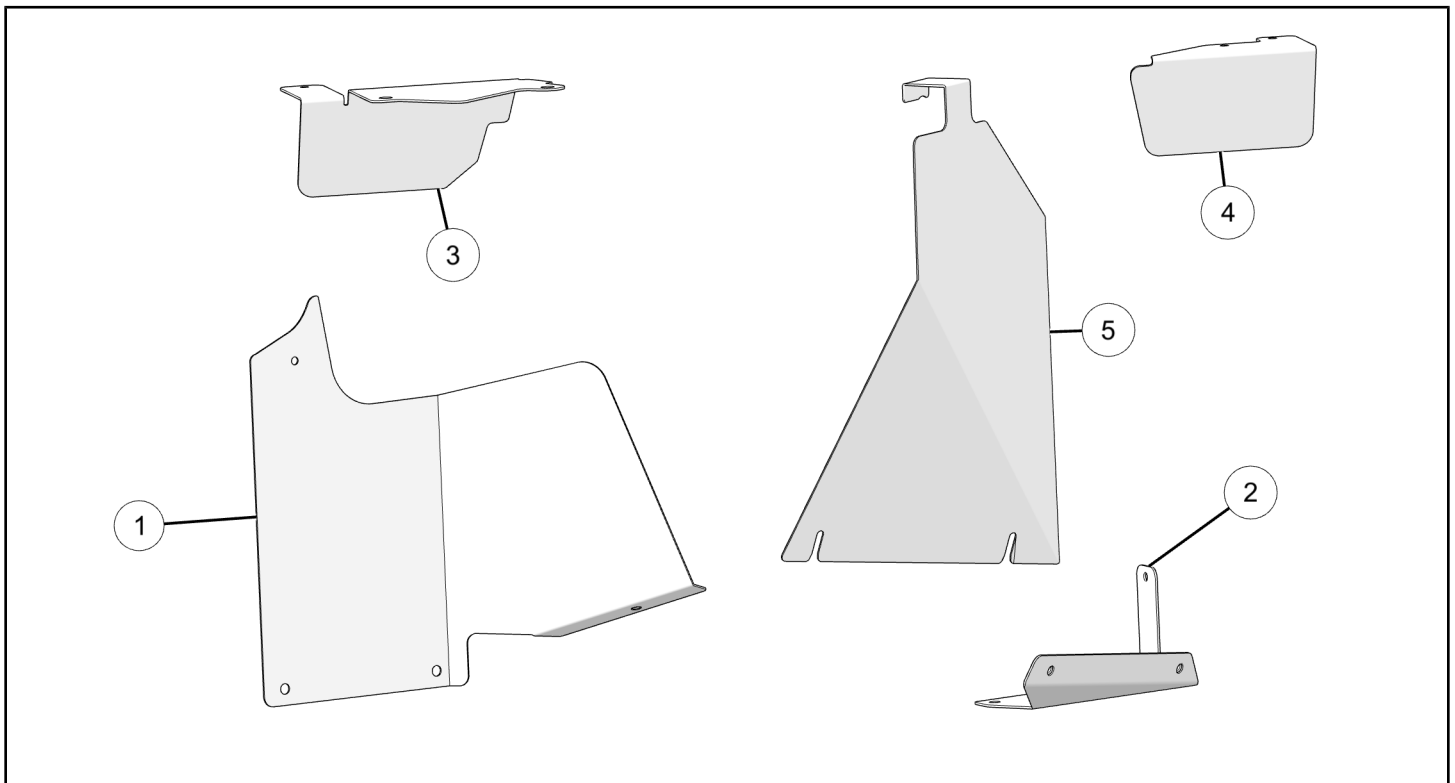
Before beginning assembly, inspect the kit and its component(s) to be sure all parts and tools are accounted for and not damaged. If missing parts or parts are damaged, please contact your Selling Dealer for assistance.

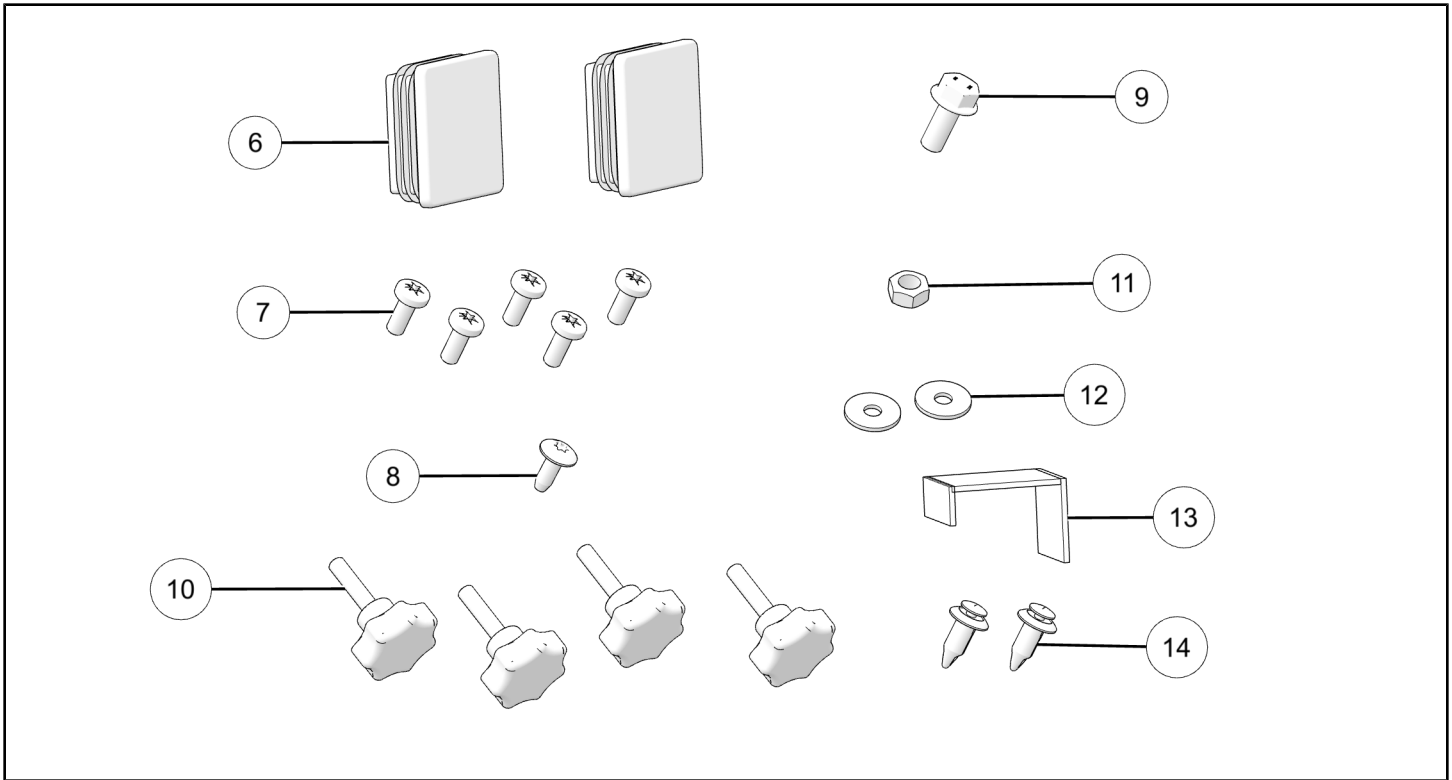
If your accessory was purchased online, please contact POLARIS® customer service at **1-800-POLARIS** (US & Canada only).

## APPLICATION

Verify accessory fitment at [www.polaris.com](http://www.polaris.com).

## KIT CONTENTS





REF	QTY	PART DESCRIPTION	P/N AVAILABLE SEPARATELY	AVAILABLE SERVICE KIT
1	1	Mud Guard, Left	1027701	n/a
2	1	Mud Guard, Bottom, Right	1027702	n/a
3	1	Mud Guard, Cargo, Left	5273165	n/a
4	1	Mud Guard, Cargo, Right	5273166	n/a
5	1	Mud Guard, Side, Right	5273169	n/a
6	2	Cap, 2 x 2 in	n/a	2211955
7	5	Screw, Torx® Pan Head, #14 x 5/8 in	n/a	2211955
8	1	Screw, Torx® Truss Head, M6 x 1.0 x 16 mm	n/a	2211955
9	1	Bolt, Hex Flange Head, M8 x 1.25 x 20 mm	n/a	2211955
10	4	Knob	n/a	2211955
11	1	Nut, Hex Head, M8 x 1.25 mm	n/a	2211955
12	2	Washer, 6.4 x 20.0 x 1.6 mm	n/a	2211955
13	1	Pad, Rubber	5815323	n/a
14	2	Push-pin Rivet	n/a	2211955

## TOOLS REQUIRED

- Safety Glasses
- Pop Rivet Puller
- Socket Set, Metric

## IMPORTANT

Your Mud Guards Kit is exclusively designed for your vehicle. Please read the installation instructions thoroughly before beginning. Installation is easier if the vehicle is clean and free of debris. For your safety, and to ensure a satisfactory installation, perform all installation steps correctly in the sequence shown.

## INSTALLATION INSTRUCTIONS

### VEHICLE PREPARATION

#### GENERAL

1. Park vehicle on a flat surface.
2. Shift vehicle into PARK.
3. Turn key to OFF position and remove key.

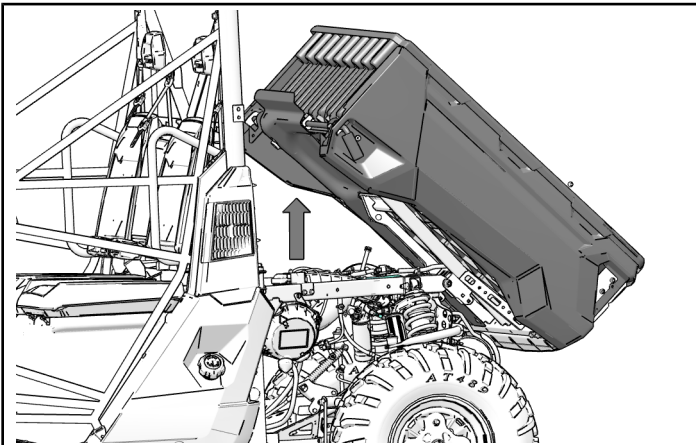
### ACCESSORY INSTALLATION

#### LEFT MUD GUARD INSTALLATION

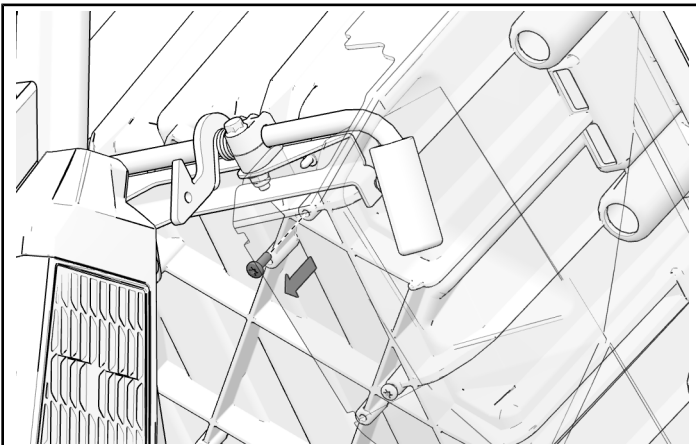
##### NOTICE

Some parts of vehicle hidden for clarity.

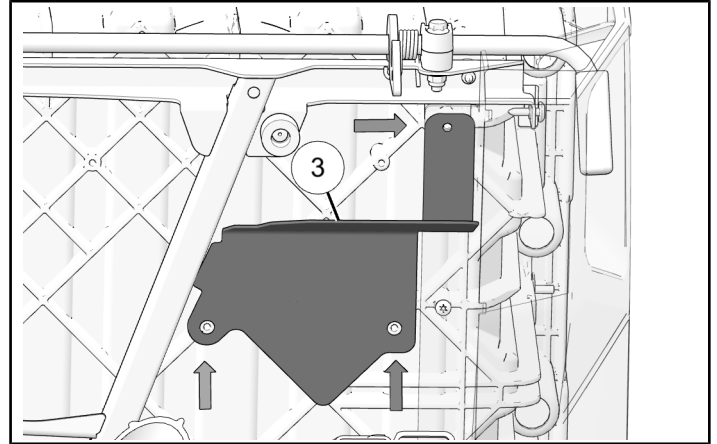
1. Raise cargo box.



2. Remove and discard screw from cargo box.



3. Align left cargo mud guard ③ with holes on cargo box mounting surface as shown.



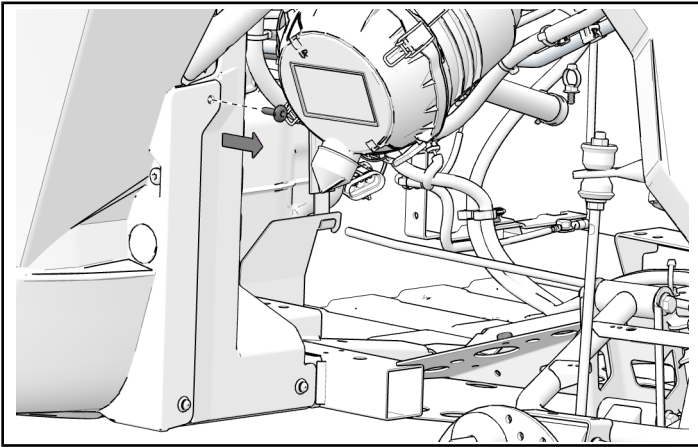
4. Attach left cargo mud guard to cargo box using three screws ⑦ and two washers ⑫. Torque screws to specification.

##### TORQUE

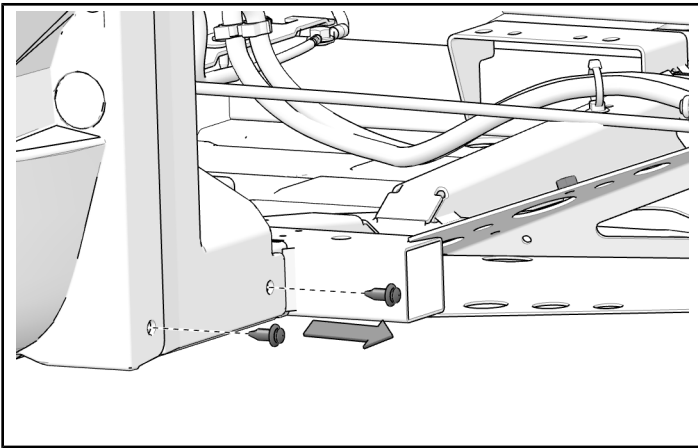
Screws ⑦:  
17 in-lbs (2 N·m)



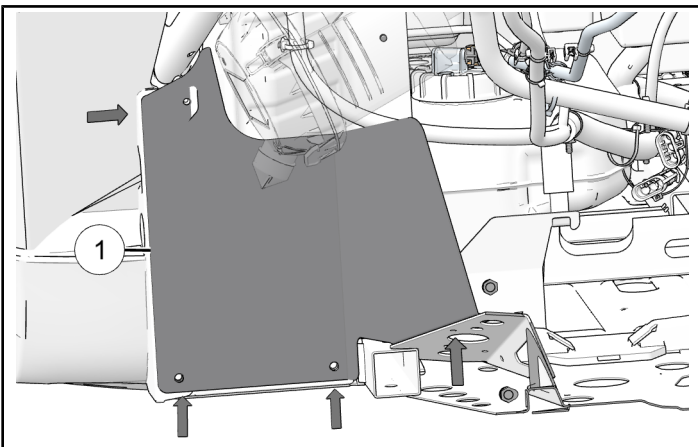
5. Remove and discard screw.



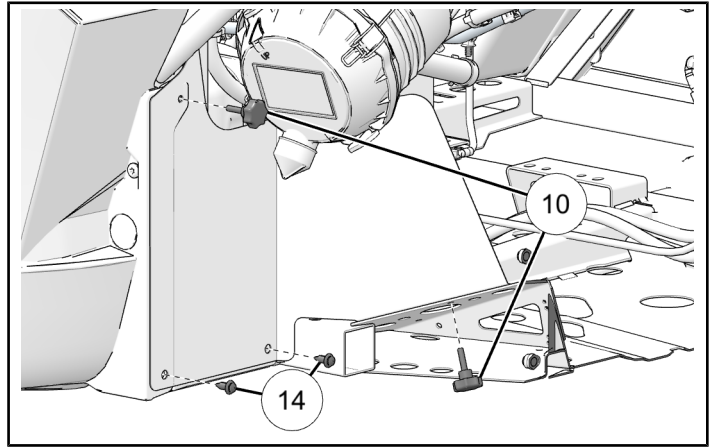
6. Remove and discard two push-pin rivets.



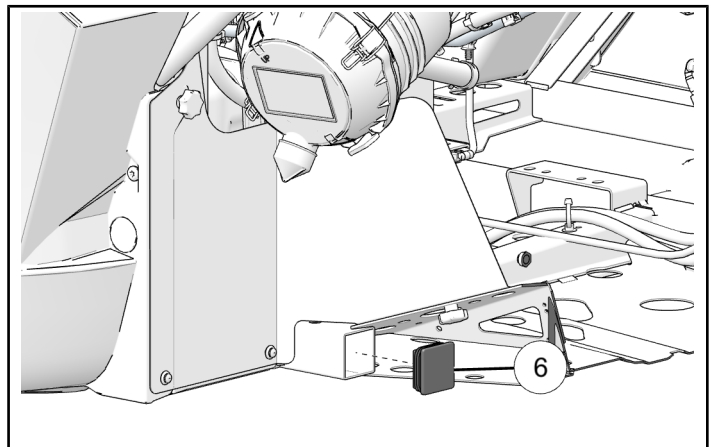
7. Align left mud guard ① with holes in fender and chassis bracket lower brace.



8. Attach left mud guard using two knobs ⑩ and two push-pin rivets ⑭. Hand tighten knobs.



9. Install cap ⑥ into end of chassis tube.

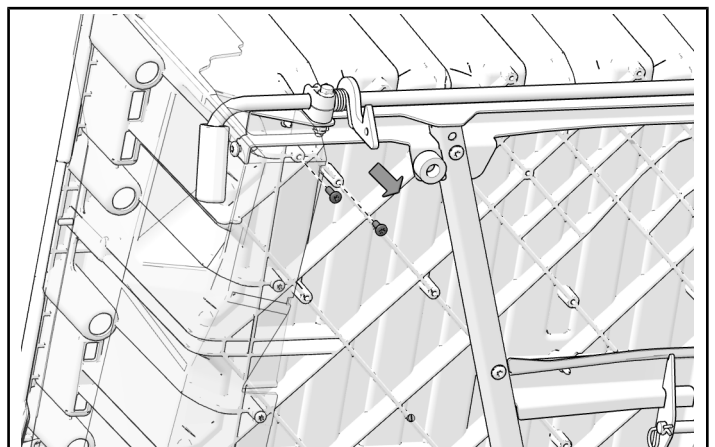


## RIGHT MUD GUARD INSTALLATION

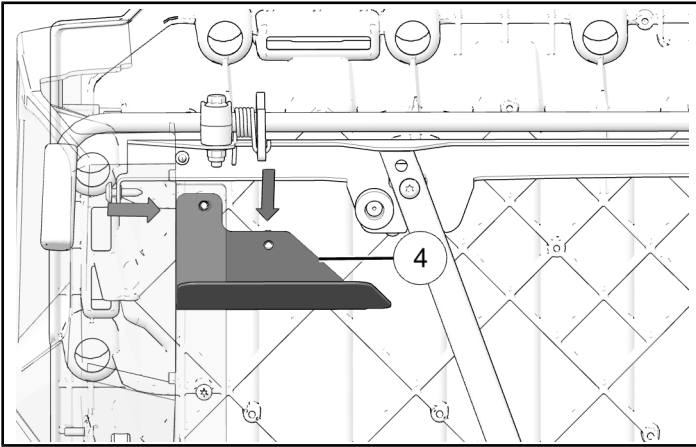
### NOTICE

Some parts of vehicle hidden for clarity.

1. Remove and discard two screws from cargo box.



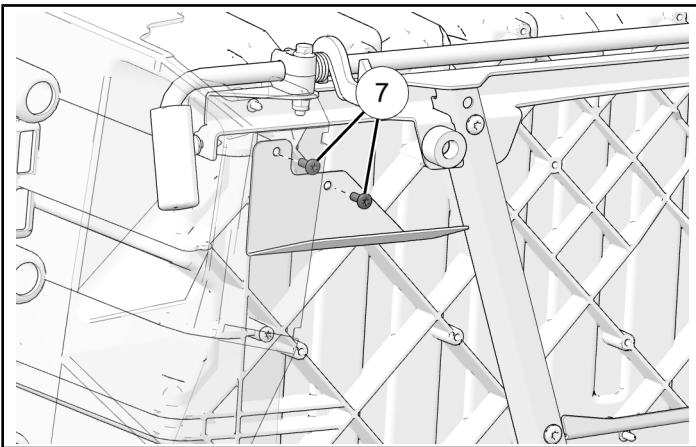
2. Align right cargo mud guard ④ with holes on cargo box mounting surface as shown.



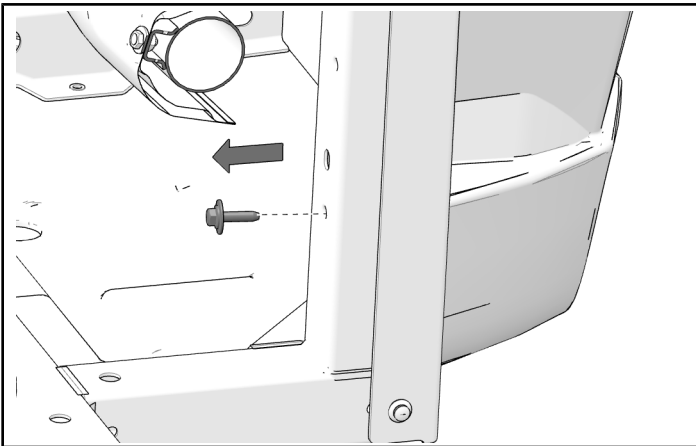
3. Attach right cargo mud guard to cargo box using two screws ⑦. Torque screws to specification.

**TORQUE**

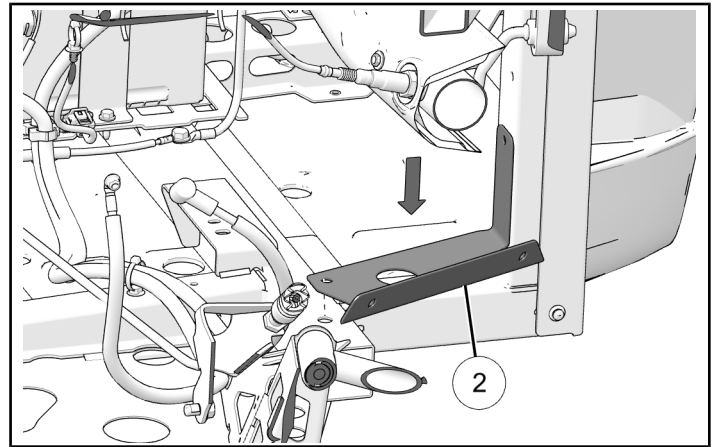
Screws ⑦:  
**17 in-lbs (2 N·m)**



4. Remove and discard screw from chassis side mounting surface.



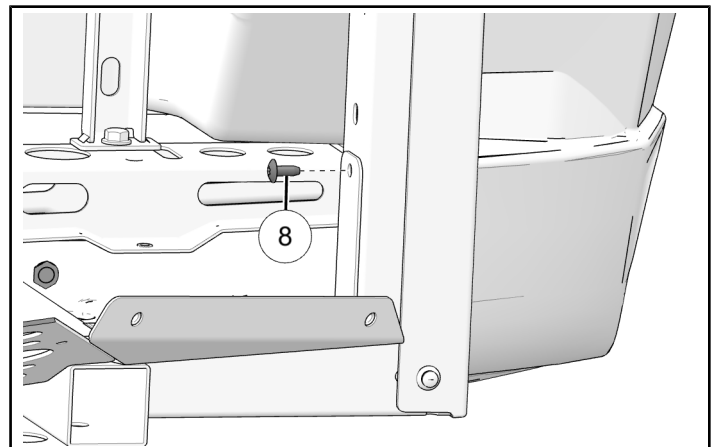
5. Align right bottom mud guard ② with holes in chassis.



6. Attach right bottom mud guard to side mount using one screw ⑧. Torque screw to specification.

**TORQUE**

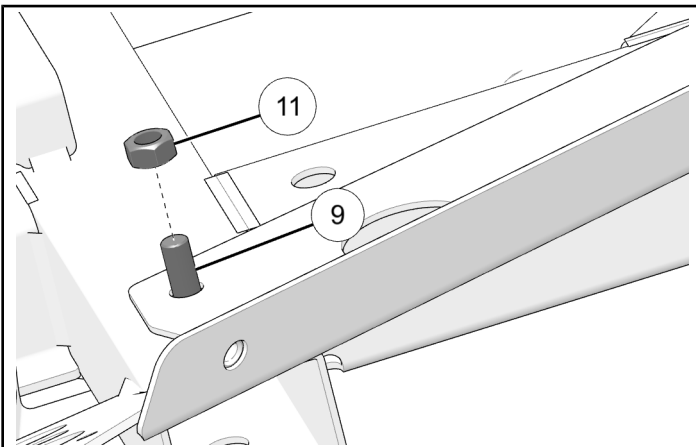
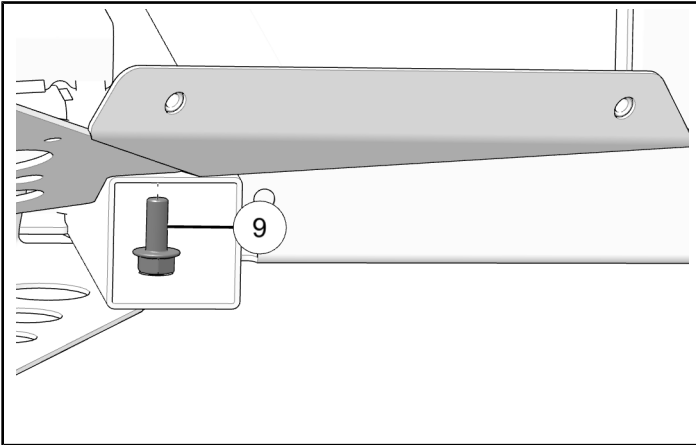
Screw ⑧:  
**62 in-lbs (7 N·m)**



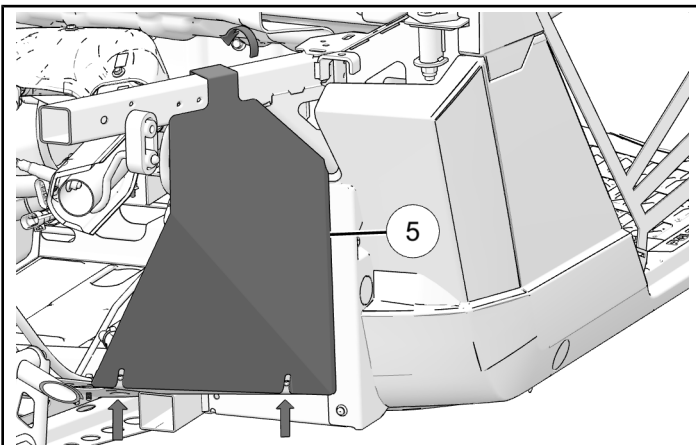
7. Install one bolt ⑨ and one nut ⑪. Torque nut to specification.

**TORQUE**

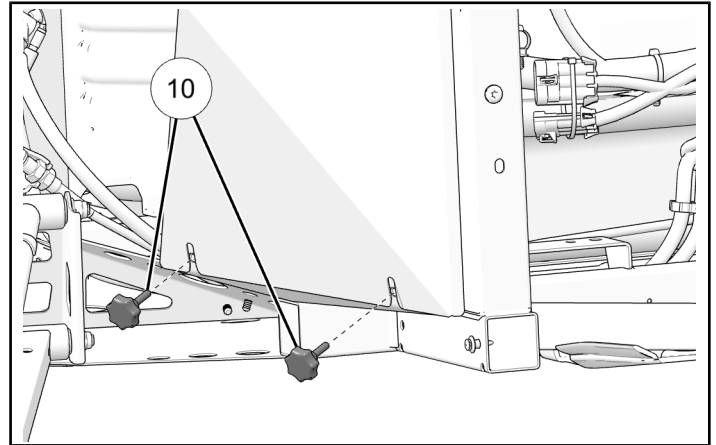
Nut ⑪:  
**16 ft-lbs (23 N-m)**



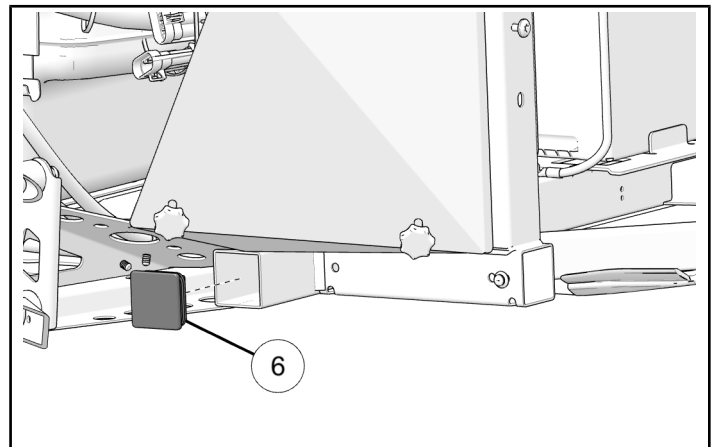
8. Install right side mud guard ⑤. Make sure top of mud guard is fitted to chassis tube. Make sure to align with holes in right mud guard.



9. Attach right side mud guard using two knobs ⑩. Hand tighten.



10. Install cap ⑥ into end of chassis tube.



11. Lower cargo box.