

REAR POLY PANEL KIT



P/N 2891578

BEFORE YOU BEGIN

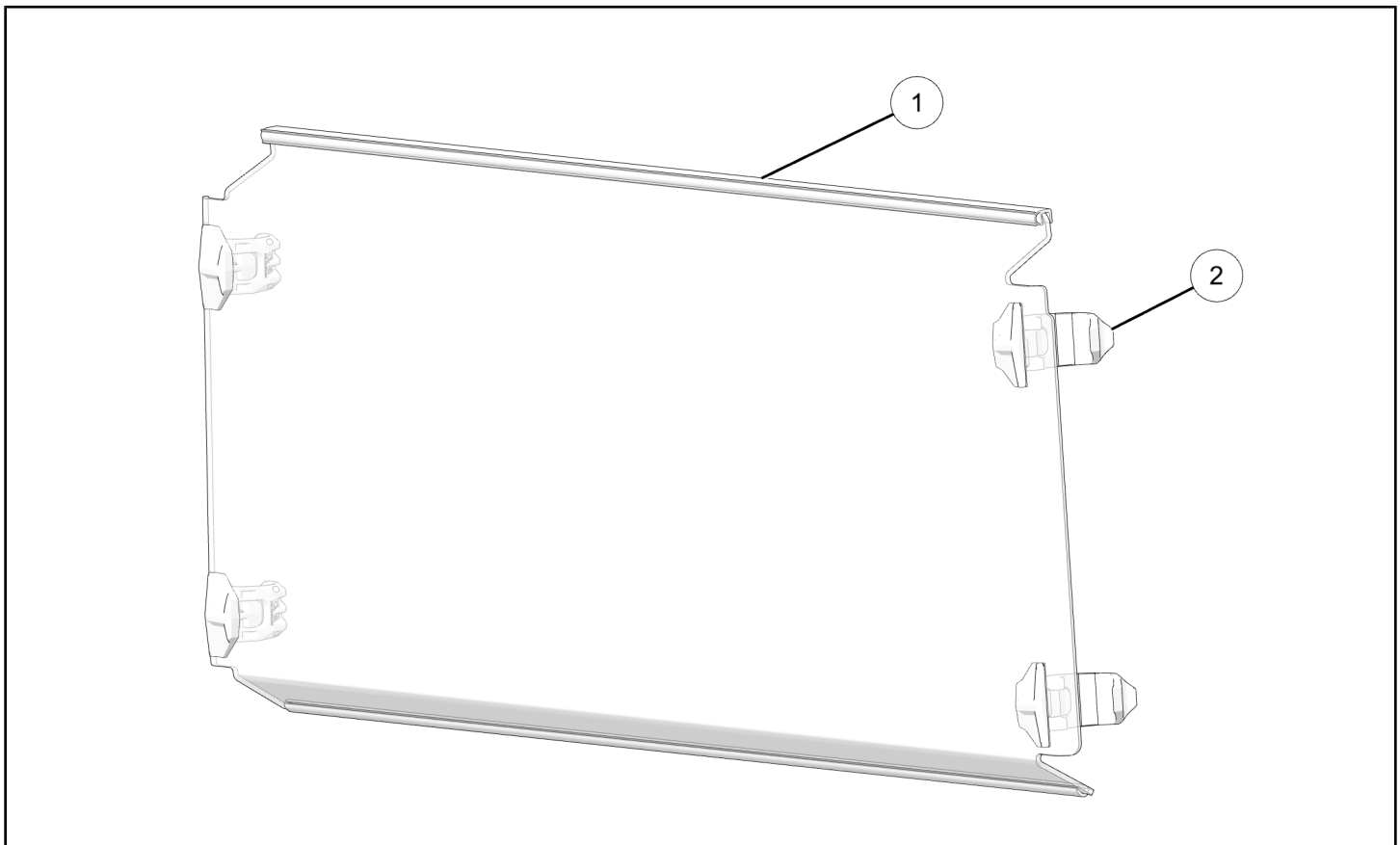
Before beginning assembly, inspect the kit and its component(s) to be sure all parts and tools are accounted for and not damaged. If missing parts or parts are damaged, please contact your Selling Dealer for assistance.

If your accessory was purchased online, please contact POLARIS customer service at **1-800-POLARIS** (US & Canada only).

APPLICATION

Verify accessory fitment at www.polaris.com.

KIT CONTENTS



REF	QTY	PART DESCRIPTION	P/N AVAILABLE SEPARATELY
1	1	Rear Poly Panel Assembly	2640504
2	4	Clamp Assembly	2640503

TOOLS REQUIRED

- Safety Glasses

IMPORTANT

Your Rear Poly Panel Kit is exclusively designed for your vehicle. Please read the installation instructions thoroughly before beginning. Installation is easier if the vehicle is clean and free of debris. For your safety, and to ensure a satisfactory installation, perform all installation steps correctly in the sequence shown.

INSTALLATION INSTRUCTIONS

VEHICLE PREPARATION

GENERAL

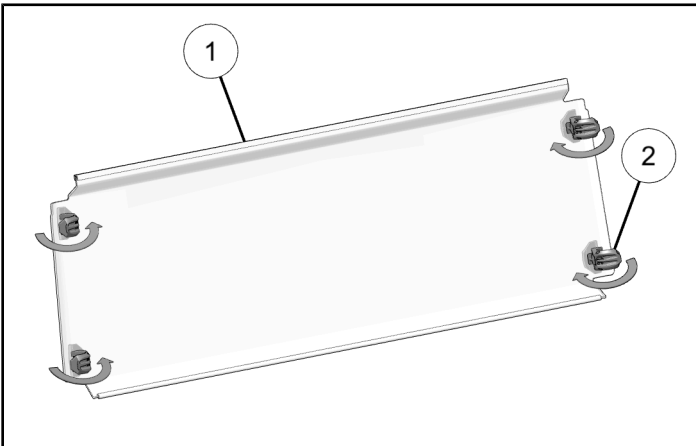
1. Park vehicle on a flat surface.
2. Shift vehicle into PARK.
3. Turn key to OFF position and remove key.

ACCESSORY INSTALLATION

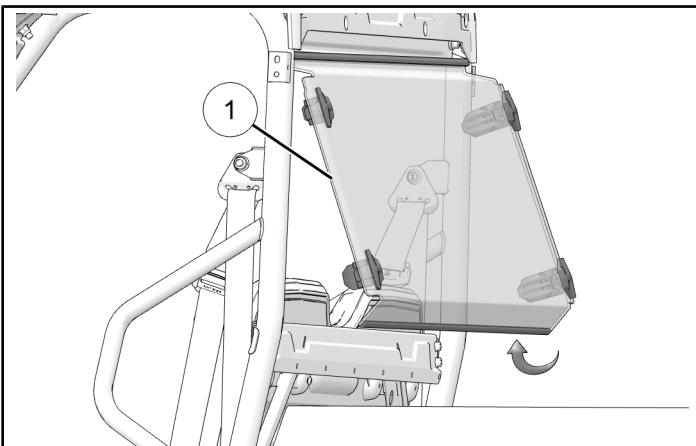
NOTICE

Parts of vehicle have been hidden for clarity.

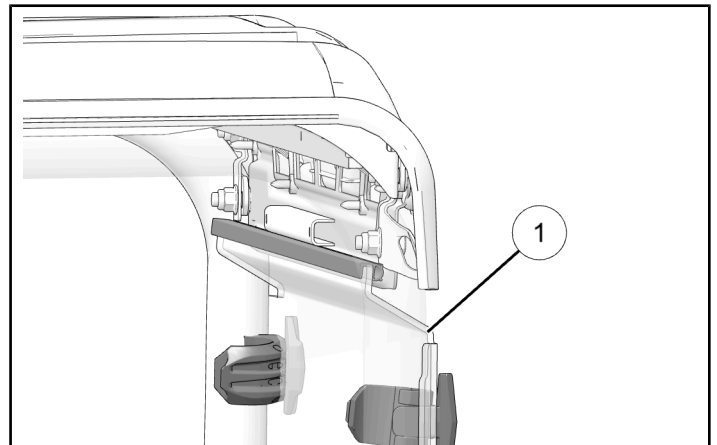
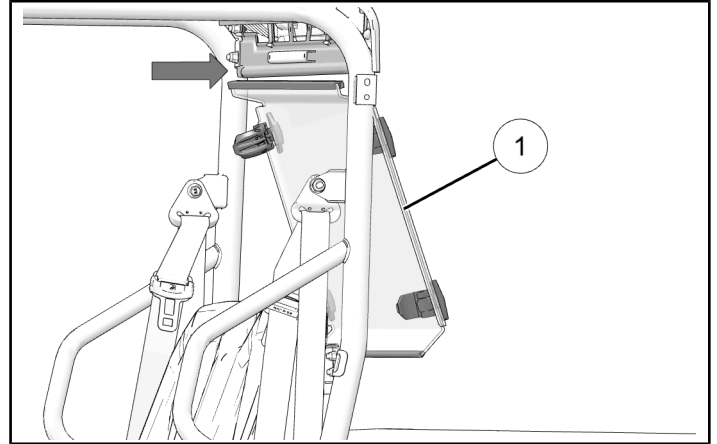
1. Turn handles ② on rear panel ① to open.



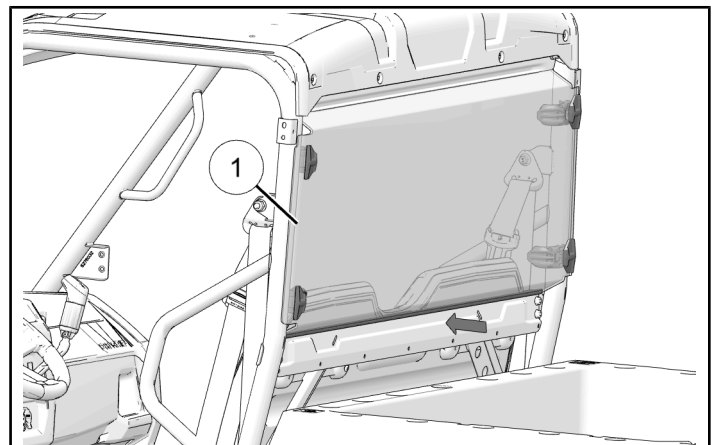
2. Lift top edge of rear panel ① up into vehicle.



3. Install upper edge of rear panel ① inside vehicle and against upper rear cab frame.



4. Put bottom of rear panel ① against cab frame plate on vehicle.



5. Turn handles ② on rear panel ① to lock panel into place on rear ROPS bars.

