

# MUD GUARD KIT



P/N 2889689

## MISSING OR DAMAGED PARTS

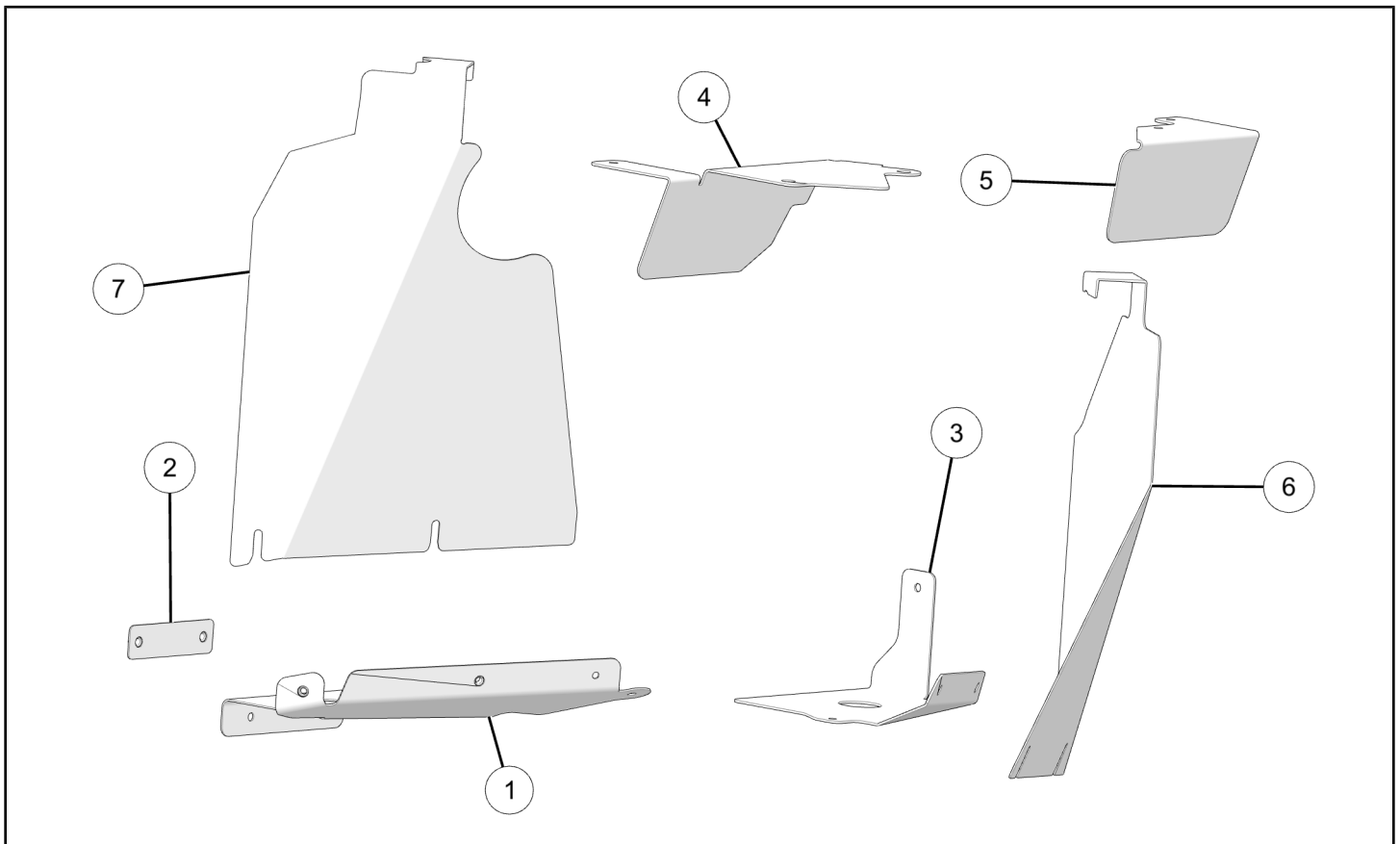
Before beginning assembly, inspect the kit and its component(s) to be sure all parts and tools are accounted for and not damaged. If missing parts or parts are damaged, please contact your Selling Dealer for assistance.

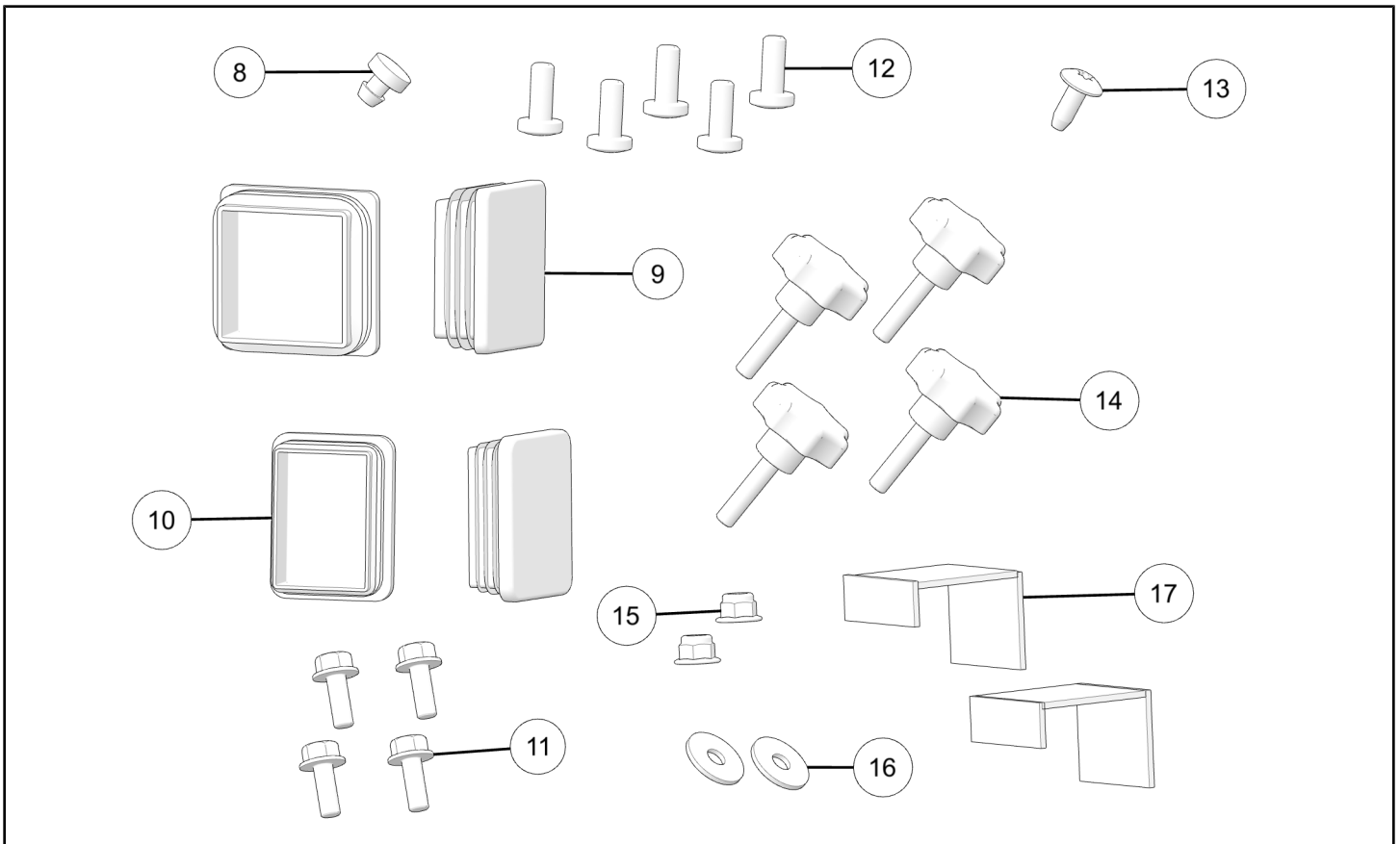
If your accessory was purchased online, please contact POLARIS® customer service at **1-800-POLARIS** (US & Canada only).

## APPLICATION

Verify accessory fitment at [www.polaris.com](http://www.polaris.com).

## KIT CONTENTS





REF	QTY	PART DESCRIPTION	P/N AVAILABLE SEPARATELY	AVAILABLE SERVICE KIT
1	1	Mud Guard, Left, Bottom	1027705	n/a
2	1	Mud Guard, Left, Bottom Nut Plate	1027706	n/a
3	1	Mud Guard, Right, HVAC	1027709	n/a
4	1	Mud Guard, Cargo, Left	5273165	n/a
5	1	Mud Guard, Cargo, Right	5213166	n/a
6	1	Mud Guard, Side, Right	5273169	n/a
7	1	Mud Guard, Side, Left	5273170	n/a
8	1	Bumper, Rubber	5414486	n/a
9	2	Cap, 2 x 2 in	5459373	2211955
10	2	Cap, 2 x 1.5 in	5459374	2211955
11	4	Screw, Hex Flange Head, M6 x 1.0 x 16 mm	7518591	2211955
12	5	Screw, Torx® Drive Pan Head, #14 x 5/8 in	7520803	2211955
13	1	Screw, Torx® Drive Truss Head, M6 x 1.0 x 16 mm	7521047	2211955
14	4	Knob	7528104	2211955
15	2	Nut, Hex Flange Head, M6 x 1.0 mm	7547453	2211955
16	2	Washer, 6.4 x 20.0 x 1.6 mm	7556054	2211955
17	2	Pad, Rubber	5815323	n/a

## TOOLS REQUIRED

- Safety Glasses
- Pop Rivet Puller
- Socket Set, Metric

## IMPORTANT

Your Mud Guard Kit is exclusively designed for your vehicle. Please read the installation instructions thoroughly before beginning. Installation is easier if the vehicle is clean and free of debris. For your safety, and to ensure a satisfactory installation, perform all installation steps correctly in the sequence shown.

## INSTALLATION INSTRUCTIONS

### VEHICLE PREPARATION

#### GENERAL

1. Park vehicle on a flat surface.
2. Shift vehicle into PARK.
3. Turn key to OFF position and remove key.

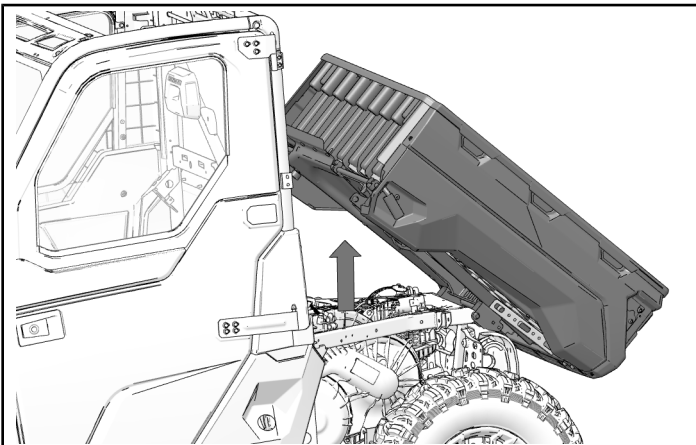
### ACCESSORY INSTALLATION

#### LEFT MUD GUARD INSTALLATION

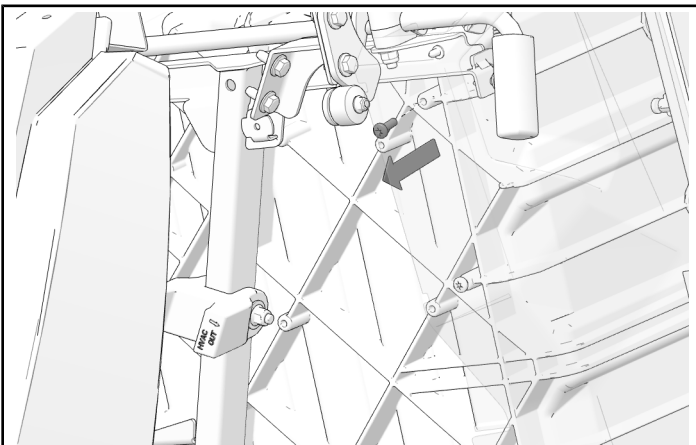
##### NOTICE

Some parts of vehicle hidden for clarity.

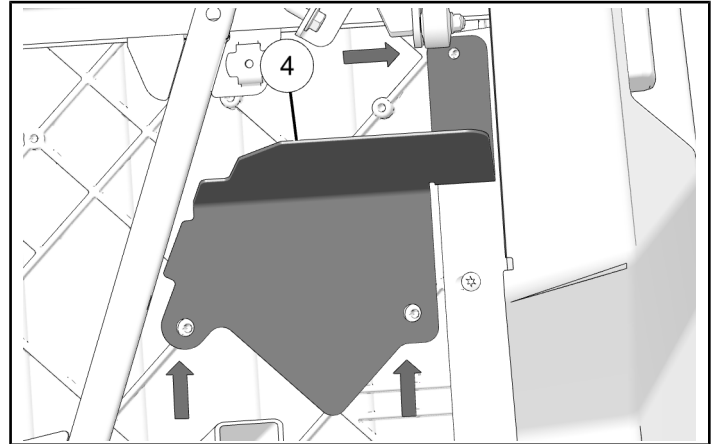
1. Raise cargo box.



2. Remove and discard screw from cargo box.



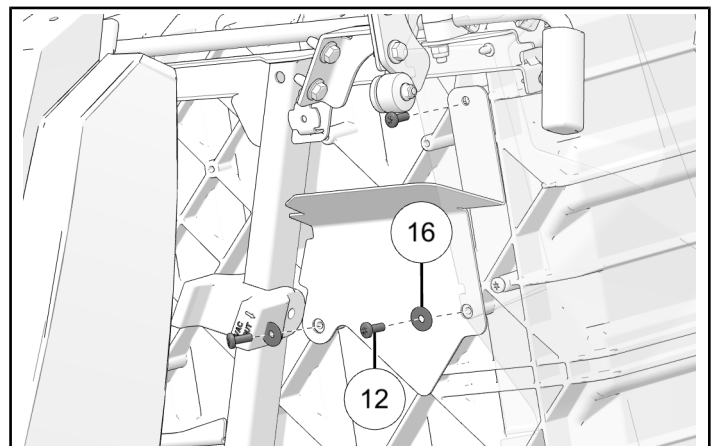
3. Align left cargo mud guard ④ with holes on cargo box mounting surface as shown.



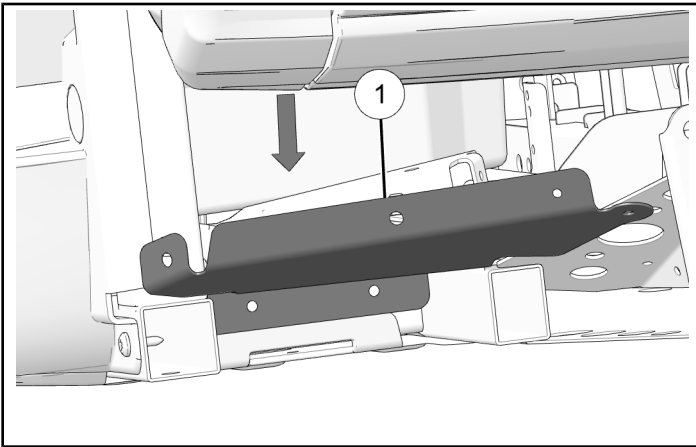
4. Attach left cargo mud guard using three screws ⑫ and two washers ⑯. Torque screws to specification.

##### TORQUE

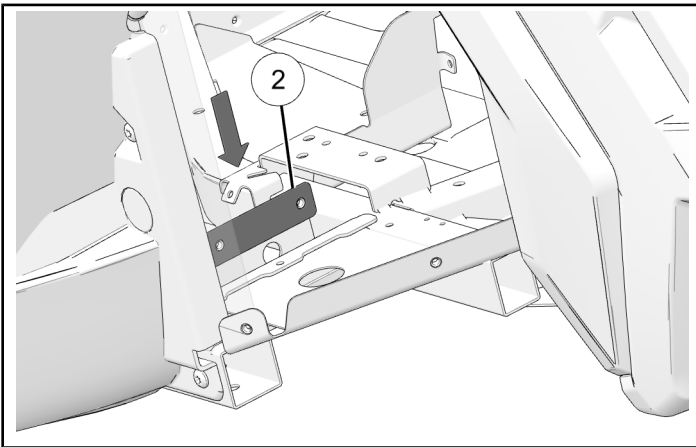
Screws ⑫:  
17 in-lbs (2 N·m)



5. Put left bottom mud guard ① onto chassis bracket lower brace and chassis bracket cross member.



6. Put bottom nut plate ② behind left bottom mud guard and chassis bracket lower brace.



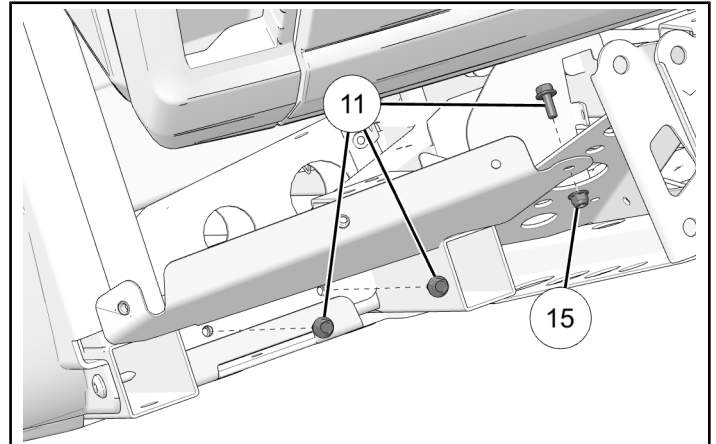
7. Attach left bottom mud guard to chassis and bottom nut plate using three screws ⑪ and one nut ⑮. Torque screws and nut to specification.

**TORQUE**

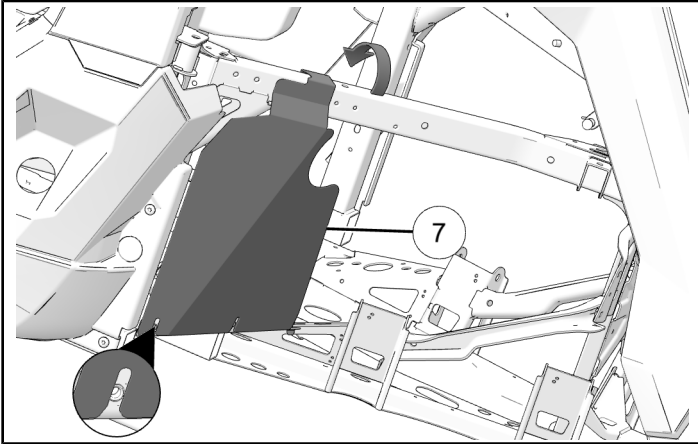
Screws ⑪:  
**70 in-lbs (8 N·m)**

**TORQUE**

Nut ⑮:  
**70 in-lbs (8 N·m)**

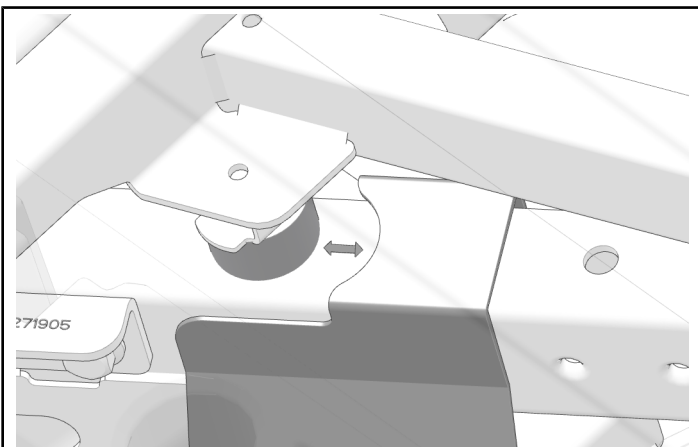


8. Install left side mud guard ⑦. Make sure top of mud guard is fitted to chassis tube. Make sure to align with holes in left bottom mud guard.



**NOTICE**

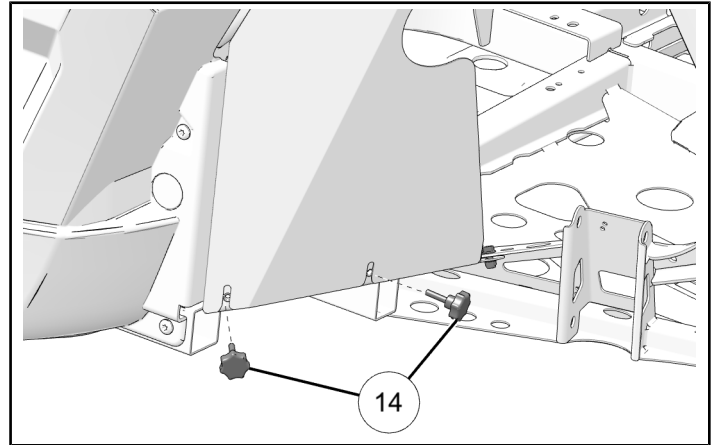
For vehicles equipped with box bumper, make sure there is clearance between mud guard and round rubber bumper on cargo box before attaching panel with thumb screws.



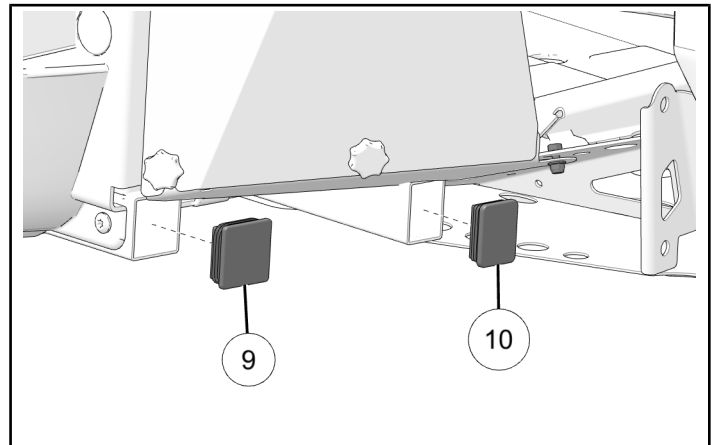
9. Attach using two knobs ⑭. Hand tighten.

**NOTICE**

To remove mud guard panel when servicing vehicle, loosen knobs and move the mud guard panel up and out. Thumb screws do not need to be completely removed.



10. Install caps ⑨ and ⑩ into ends of chassis tubes.

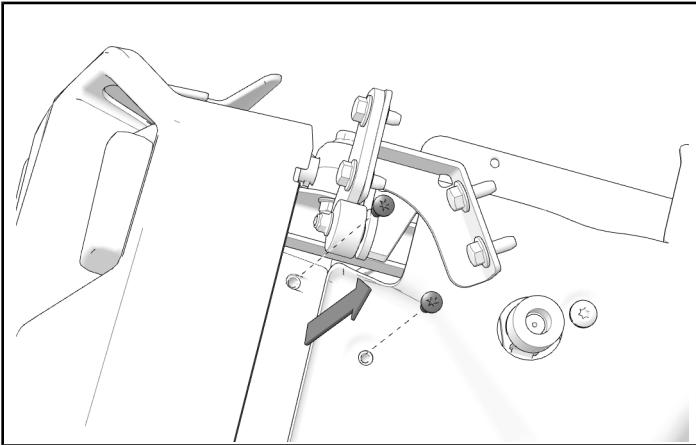


## RIGHT MUD GUARD INSTALLATION

### NOTICE

Some parts of vehicle hidden for clarity.

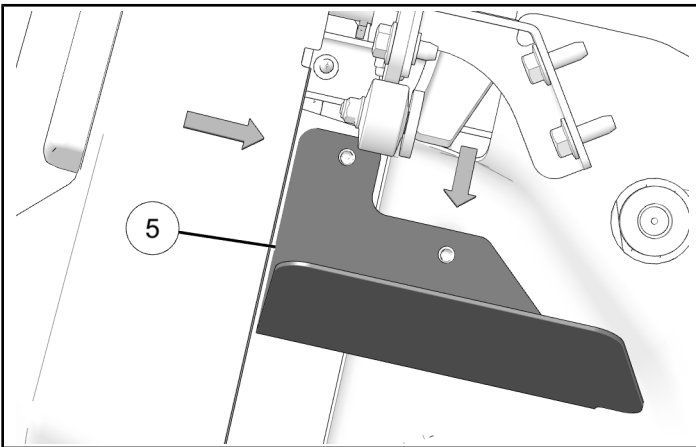
1. Remove and discard two screws from cargo box.



2. Align right cargo mud guard ⑤ with holes on cargo box surface as shown.

### TIP

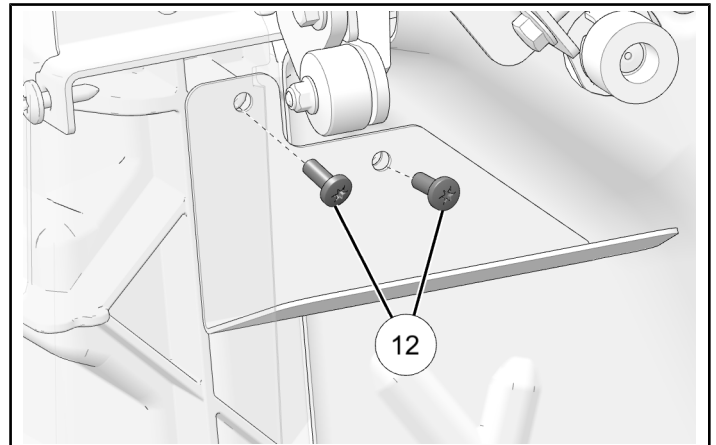
May need to flatten edge of heat shield in this area to allow mud guard to sit flat.



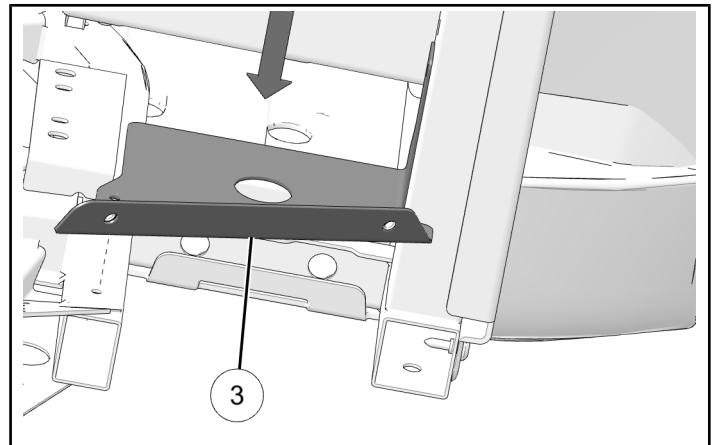
3. Attach right cargo mud guard to cargo box using two screws ⑫. Torque screws to specification.

### TORQUE

Screws ⑫:  
17 in-lbs (2 N·m)

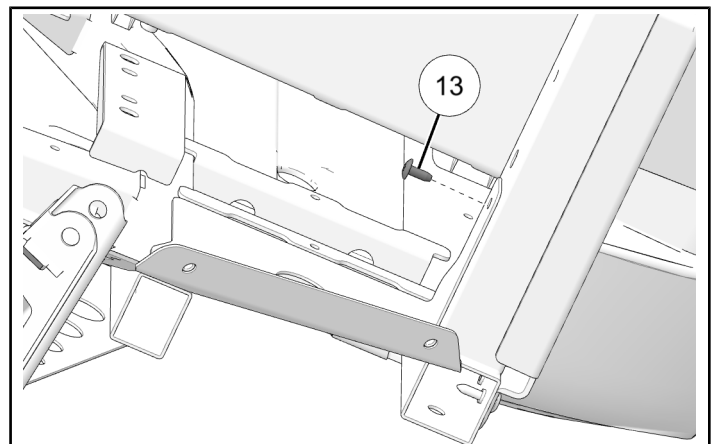


4. Put right bottom mud guard ③ onto chassis.



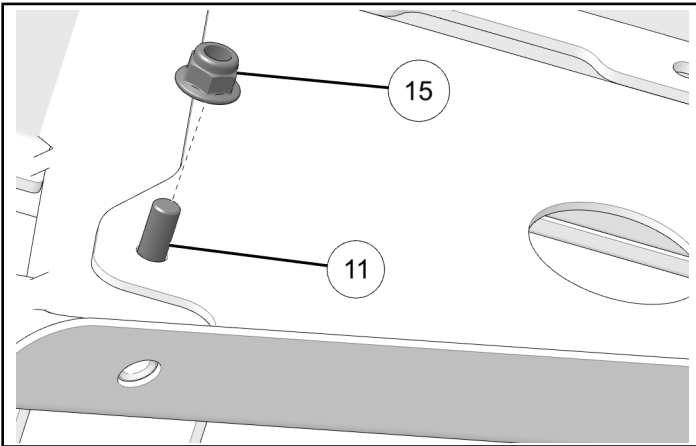
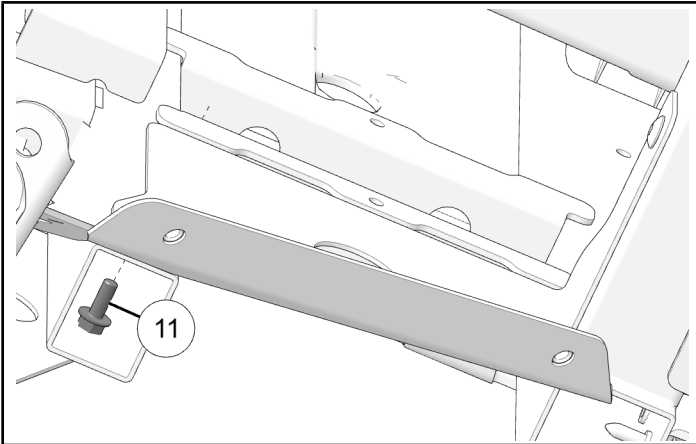
5. Loosely install right bottom mud guard to side mount using one screw ⑬.

DO NOT torque fasteners at this time.



6. Loosely install right bottom mud guard to chassis tube using one screw ⑪ and one nut ⑮

**DO NOT torque fasteners at this time.**



7. Torque screw ⑬ and nut ⑮ to specifications.

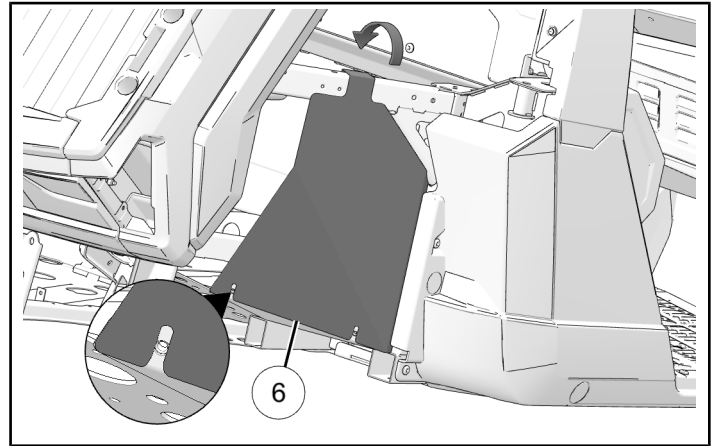
**TORQUE**

Screw ⑬:  
**62 in-lbs (7 N·m)**

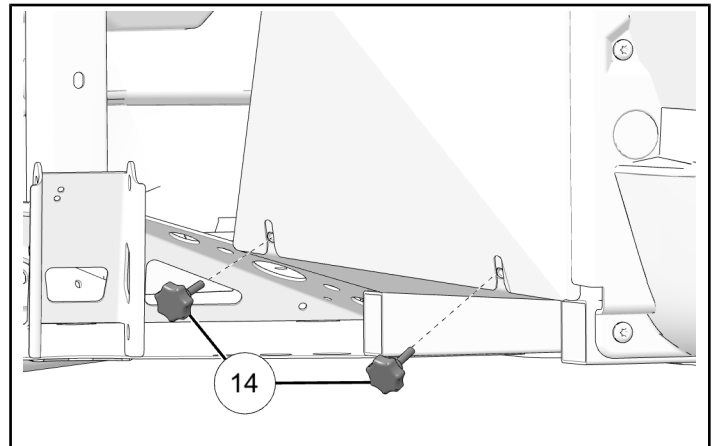
**TORQUE**

Nut ⑮:  
**71 in-lbs (8 N·m)**

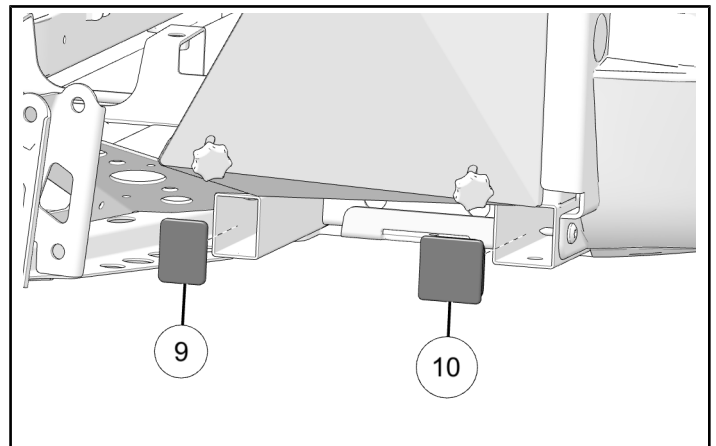
8. Install right side mud guard ⑥ on chassis. Make sure top of mud guard is fitted to chassis tube. Make sure to align with holes in right bottom mud guard.



9. Attach right side mud guard using two knobs ⑭. Hand tighten.



10. Install caps ⑨ and ⑩ into ends of chassis tubes.



11. Close cargo box.