

SHACKLES KIT



P/N 2890542

MISSING OR DAMAGED PARTS

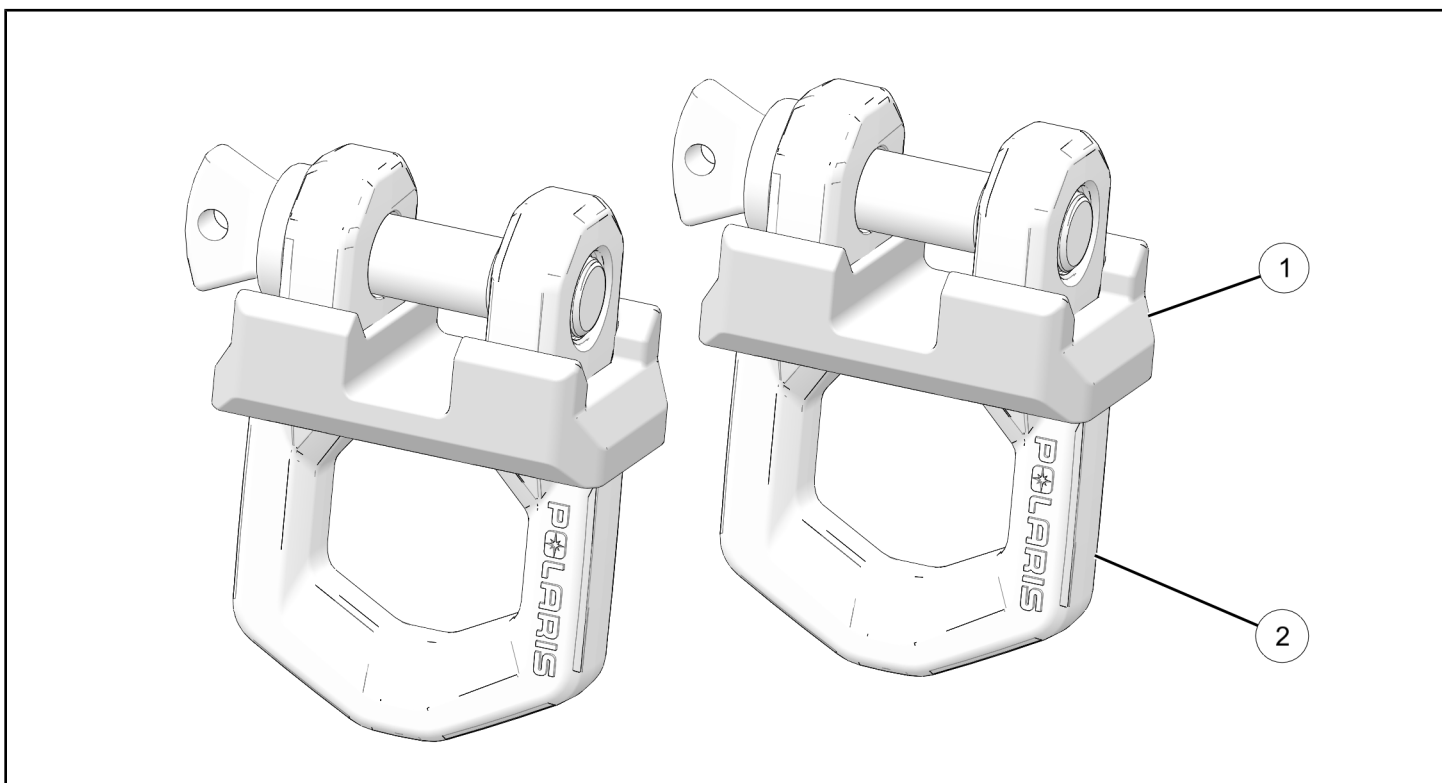
Before beginning assembly, inspect the kit and its component(s) to be sure all parts and tools are accounted for and not damaged. If missing parts or parts are damaged, please contact your Selling Dealer for assistance.

If your accessory was purchased online, please contact POLARIS® customer service at **1-800-POLARIS** (US & Canada only).

APPLICATION

Verify accessory fitment at www.polaris.com.

KIT CONTENTS



REF	QTY	PART DESCRIPTION	P/N AVAILABLE SEPARATELY
1	2	Shackle Isolator	n/a
2	2	D-Ring	5910707

TOOLS REQUIRED

- Safety Glasses

IMPORTANT

Your Shackles Kit is exclusively designed for your vehicle. Please read the installation instructions thoroughly before beginning. Installation is easier if the vehicle is clean and free of debris. For your safety, and to ensure a satisfactory installation, perform all installation steps correctly in the sequence shown.

INSTALLATION INSTRUCTIONS

VEHICLE PREPARATION

GENERAL

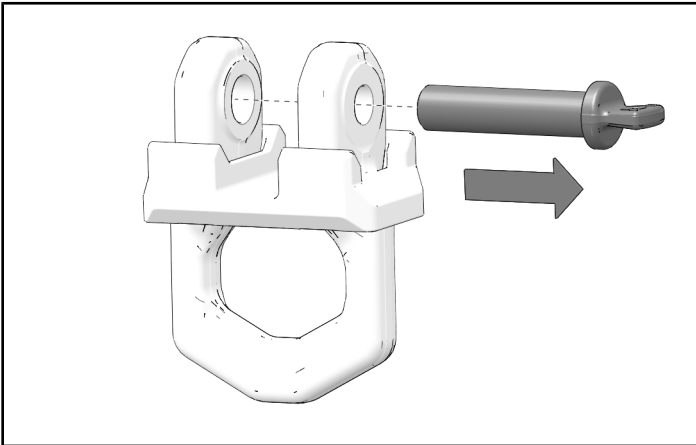
1. Park vehicle on a flat surface.
2. Shift vehicle into PARK.
3. Turn key to OFF position and remove key.

ACCESSORY INSTALLATION

NOTICE

Left side shown; right side similar.

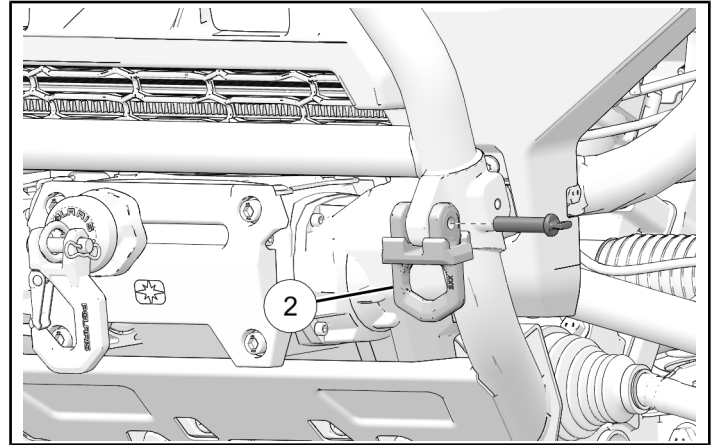
1. Remove retaining bolt from shackle. Do not remove rubber isolator.



2. Install retaining bolt through shackle ② and shackle mount on bumper. Tighten retaining bolt.

NOTICE

Bull bumper shown; HD bumper similar.



3. Rubber isolator will prevent rattling and wear between shackle and bumper.

IMPORTANT

Working Load Limit (WLL) of each shackle is 7000 lb (3175 kg). Do not exceed this load.