

12V CARGO BOX HARNESS KIT



P/N 2890857

IMPORTANT

Due to the technical nature of this kit, Polaris® insists that this installation be performed by a certified Polaris® technician.

MISSING OR DAMAGED PARTS

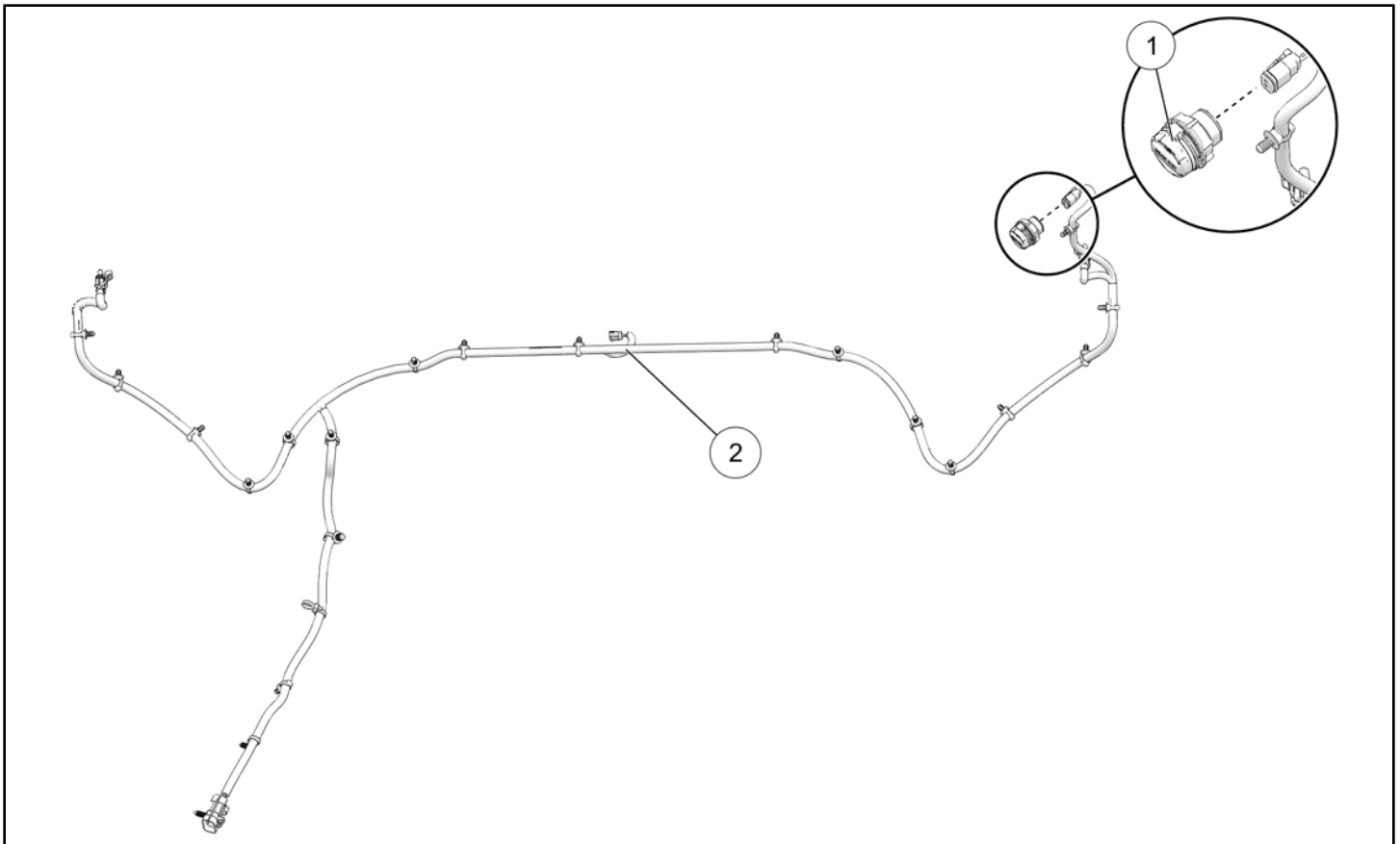
Before beginning assembly, inspect the kit and its component(s) to be sure all parts and tools are accounted for and not damaged. If missing parts or parts are damaged, please contact your Selling Dealer for assistance.

If your accessory was purchased online, please contact POLARIS® customer service at **1-800-POLARIS** (US & Canada only).

APPLICATION

Verify accessory fitment at www.polaris.com.

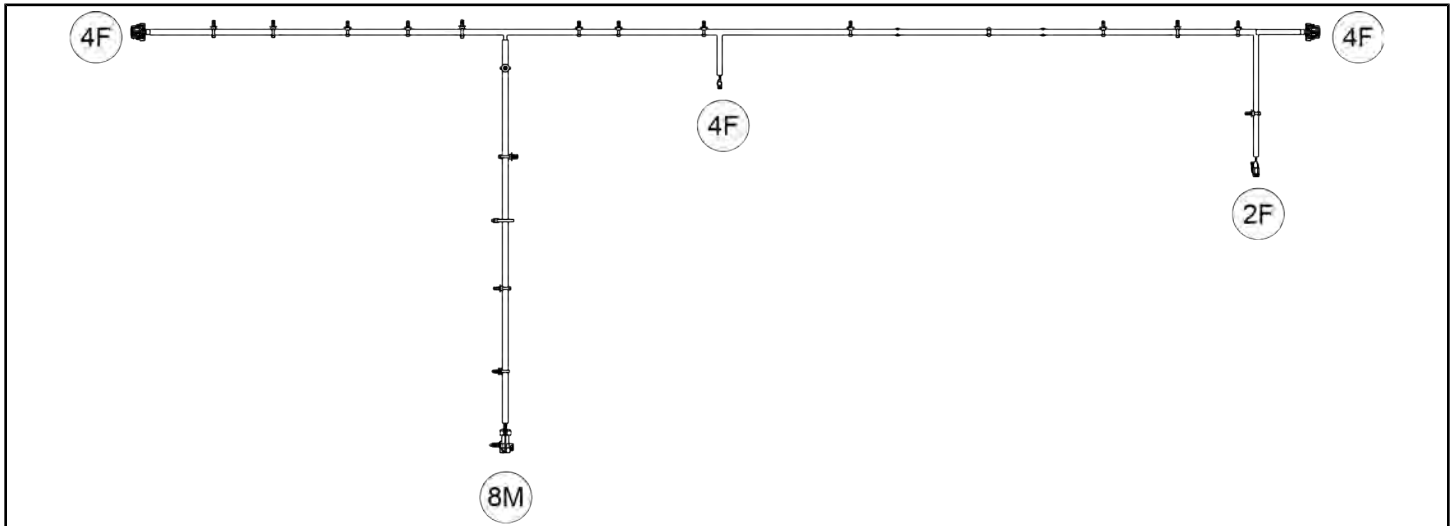
KIT CONTENTS



REF	QTY	PART DESCRIPTION	P/N AVAILABLE SEPARATELY
1	1	Auxiliary Power Port	2416400
2	1	Box Harness	2417139

HARNES DETAIL

BOX HARNES ②



REF	PART DESCRIPTION	CONNECTS TO
4F	Connector - Sealed, Black	Tail Light, Right
8M	Connector - Sealed, Black	Chassis Harness, Main
4F	Connector - Sealed, White	Video Screen, Rear (sold separately)
2F	Connector - Standard, Sealed	Auxiliary Power Port ①
4F	Connector - Sealed, Black	Taillight, Left

Example: 16F = 16 pin, Female / 16M = 16 pin, Male (Male terminal fits inside female terminal)

TOOLS REQUIRED

- Safety Glasses
- Pliers, Push Pin Rivet
- Pliers, Side Cutting
- Screwdriver Set, Torx®
- Socket Set, Metric
- Torque Wrench

IMPORTANT

Your 12V Cargo Box Harness Kit is exclusively designed for your vehicle. Please read the installation instructions thoroughly before beginning. Installation is easier if the vehicle is clean and free of debris. For your safety, and to ensure a satisfactory installation, perform all installation steps correctly in the sequence shown.

INSTALLATION INSTRUCTIONS

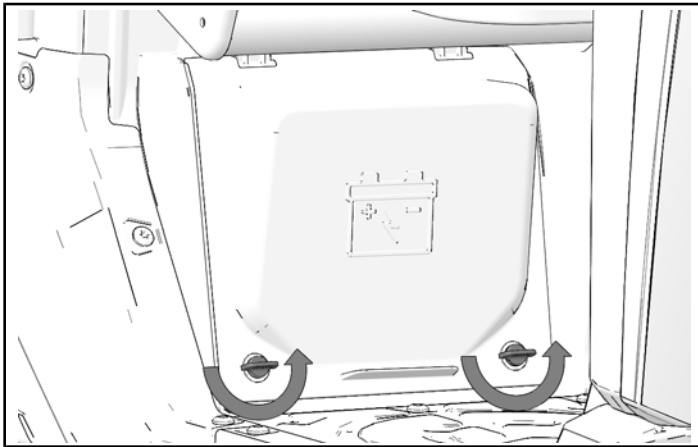
VEHICLE PREPARATION

GENERAL

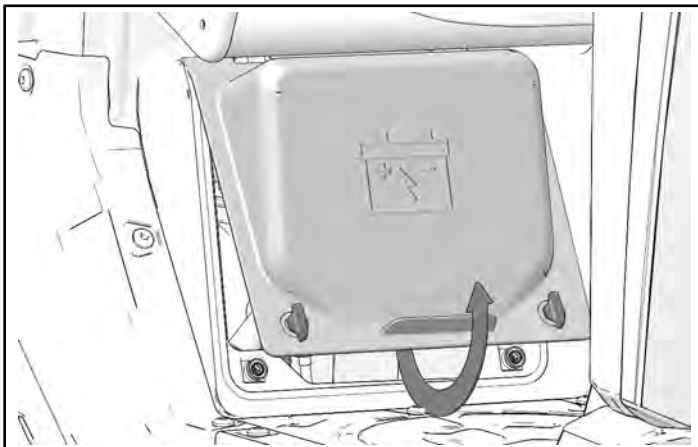
1. Park vehicle on a flat surface.
2. Shift vehicle into PARK.
3. Turn key to OFF position and remove key.
4. Wait for vehicle to cool.
5. Tilt the cargo box open for easier access to fasteners in following steps.

BATTERY DISCONNECT

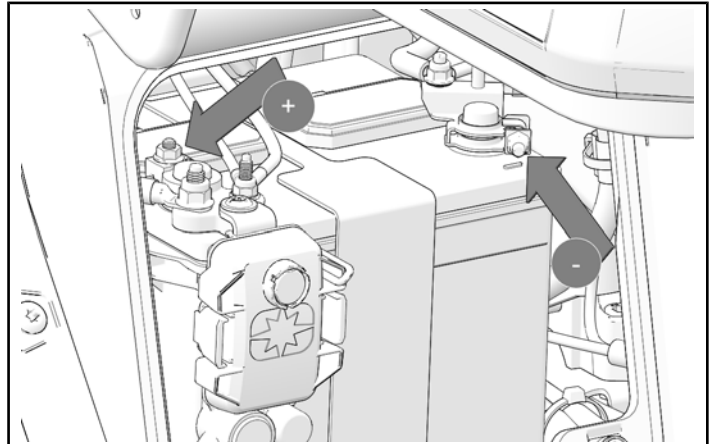
1. Turn two quarter turn fasteners.



2. Lift battery compartment cover.



3. Disconnect negative cable first. Disconnect positive cable second.

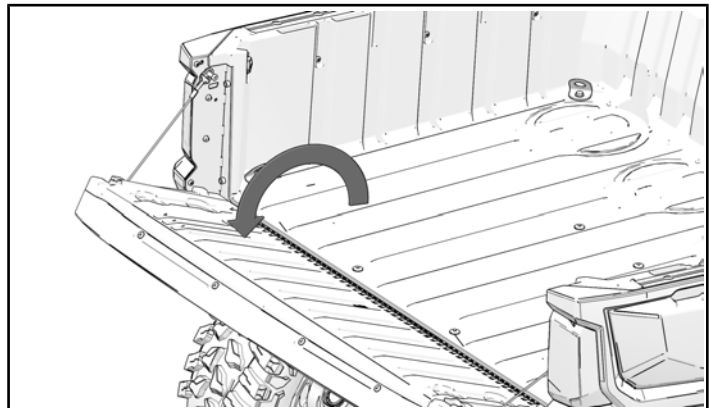


OUTER CARGO BOX PANEL REMOVAL

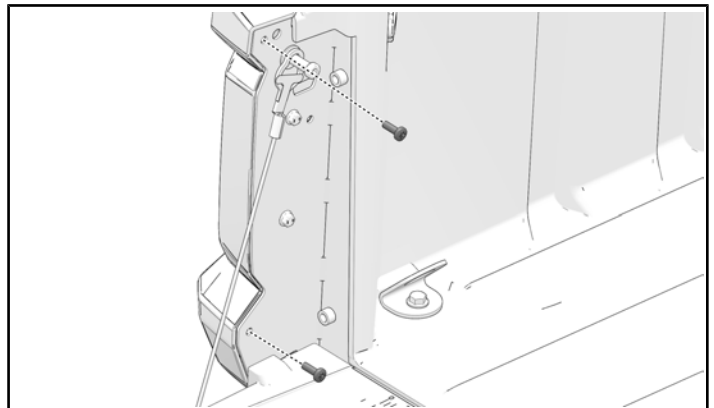
NOTICE

Left side shown; right side similar.

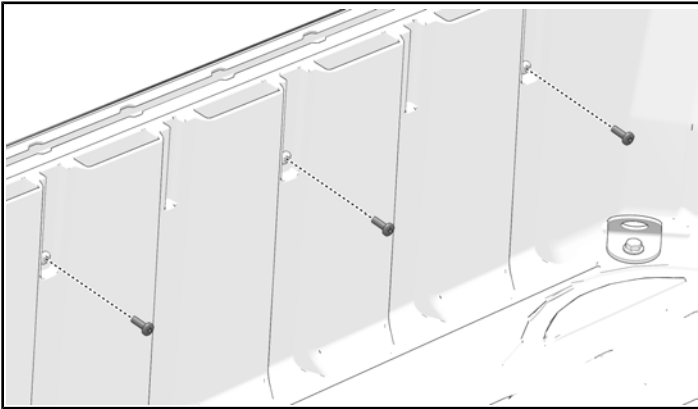
1. Open tailgate.



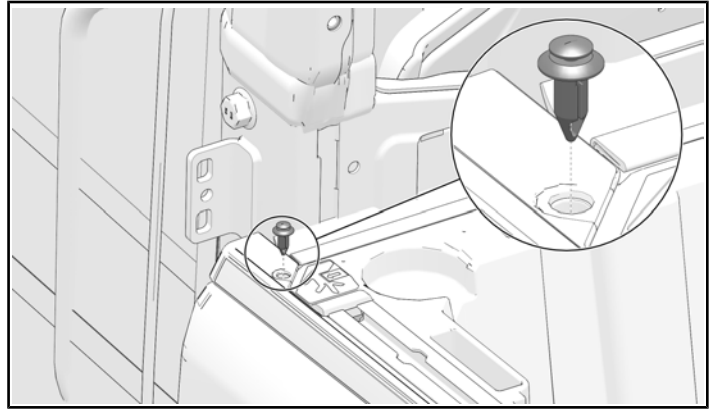
2. Remove and keep two screws from box side support.



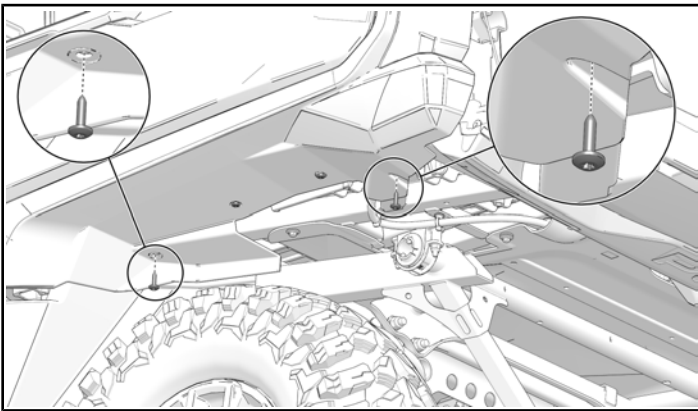
3. Remove and keep three screws from inside wall of cargo box.



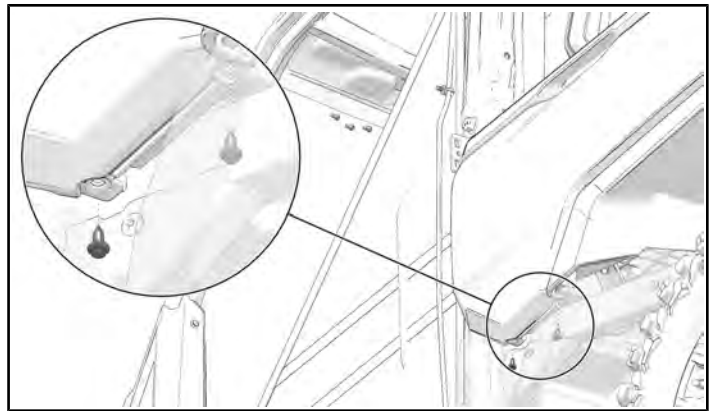
6. Remove and keep one cargo box panel push pin rivet.



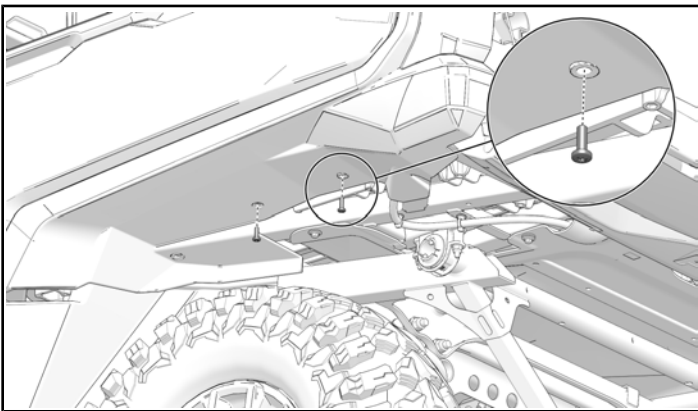
4. Remove and keep two screws from outer box support tube.



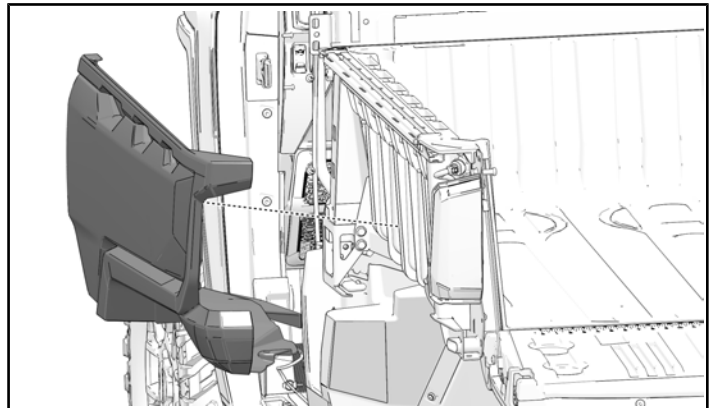
7. Remove and keep two lower cargo box panel push pin rivets.



5. Remove and keep two screws from cargo box bottom.



8. Remove and keep outer box panel.

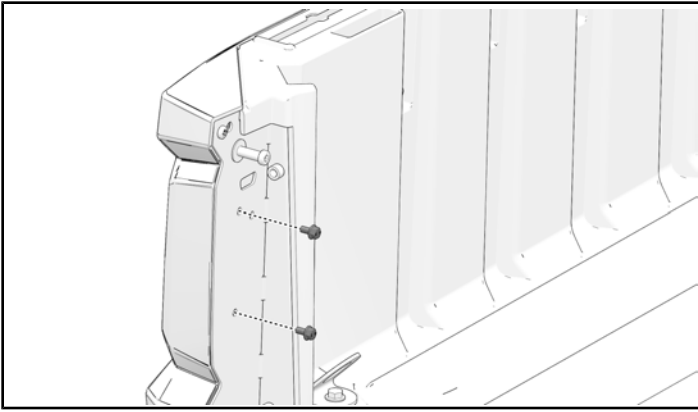


TAILLIGHT REMOVAL

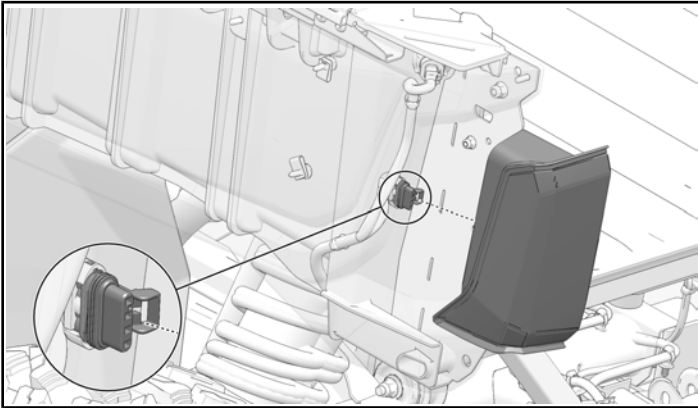
NOTICE

Left side shown; right side similar.

1. Remove and keep two taillight fasteners,

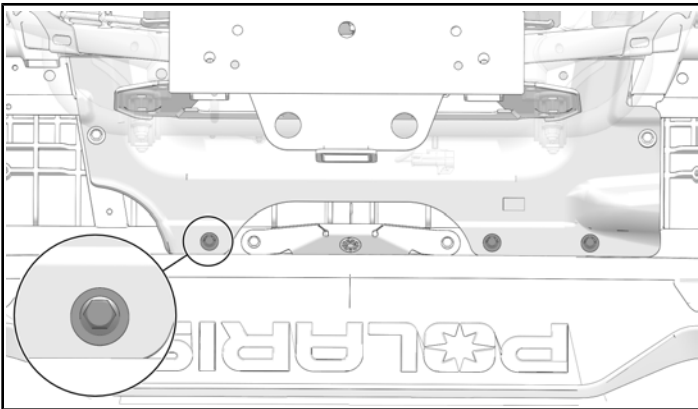


2. Remove and keep taillight. Disconnect connector.



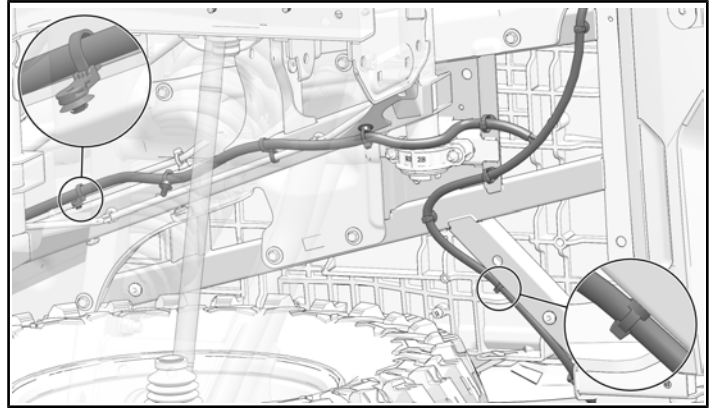
REMOVE HEAT SHIELD REAR SCREWS

1. Remove and keep three screws from rear cargo box heat shield to allow access below it.

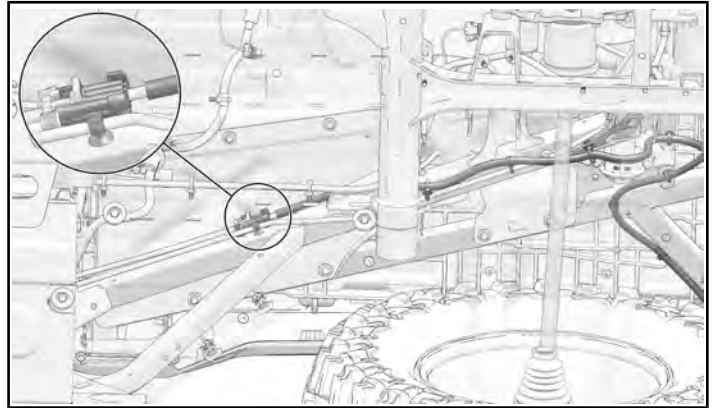


UNINSTALL CARGO BOX HARNESS

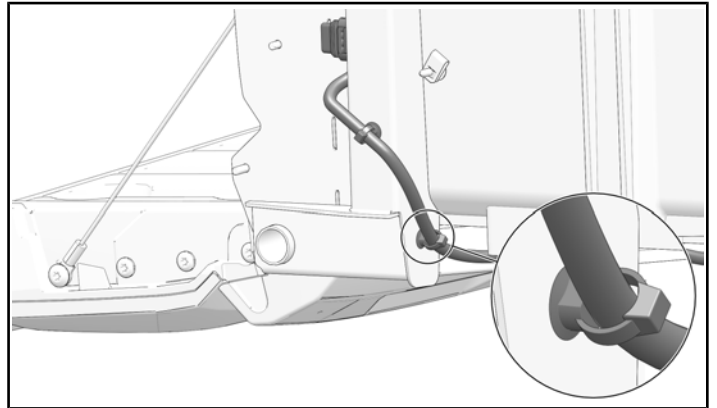
1. Remove eight clips attaching box harness to right side chassis frame.



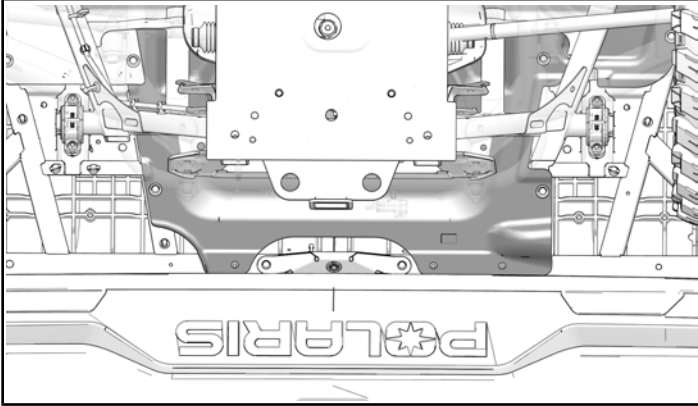
2. Disconnect box harness from main chassis harness.



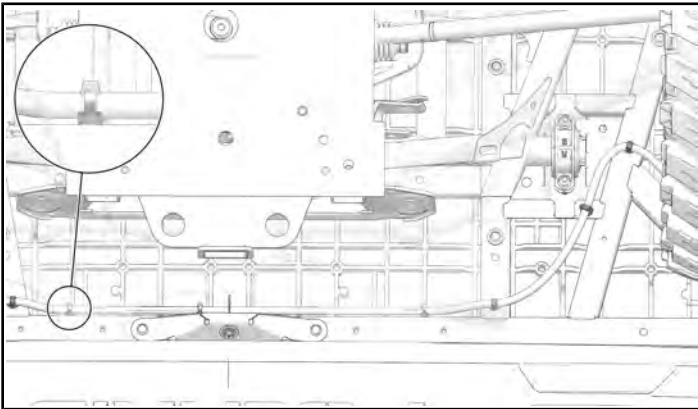
3. Remove box harness from right cargo box support bracket.



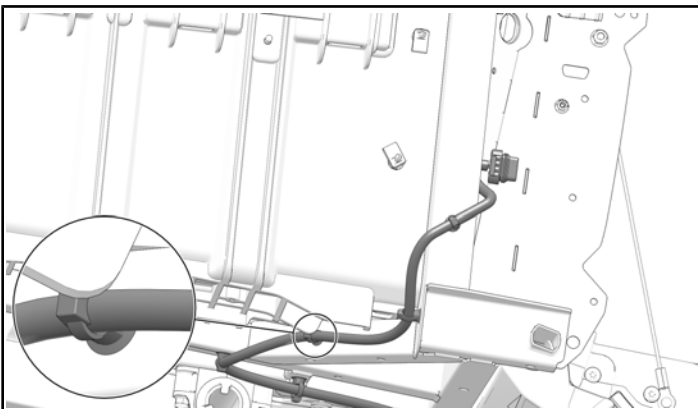
4. Pull back section of rear heat shield away from cargo box outer support tube to allow access below it.



5. Remove six clips attaching box harness to rear cargo box frame and cargo box outer support tube.



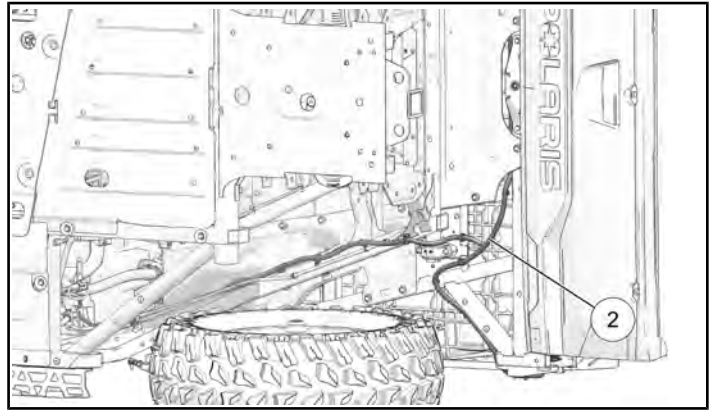
6. Remove clips attaching box harness to driver side cargo box support bracket.



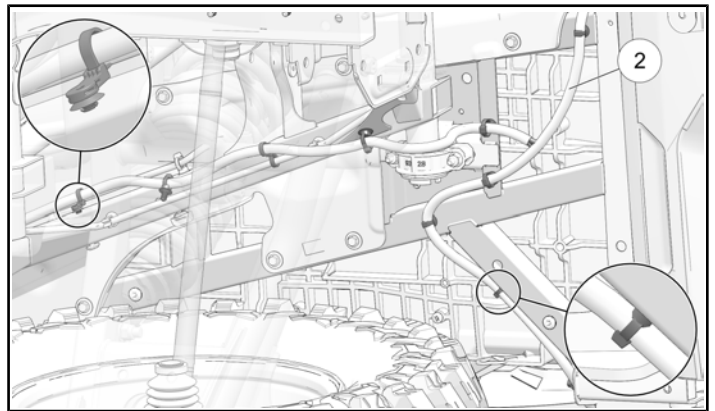
ACCESSORY INSTALLATION

HARNESS INSTALLATION

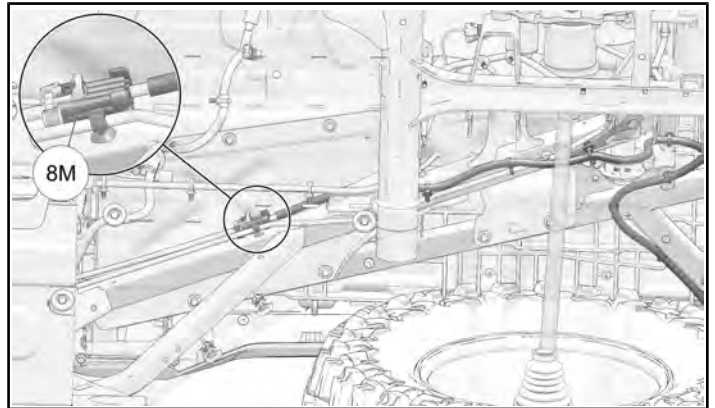
1. Align box harness ② to right side chassis frame.



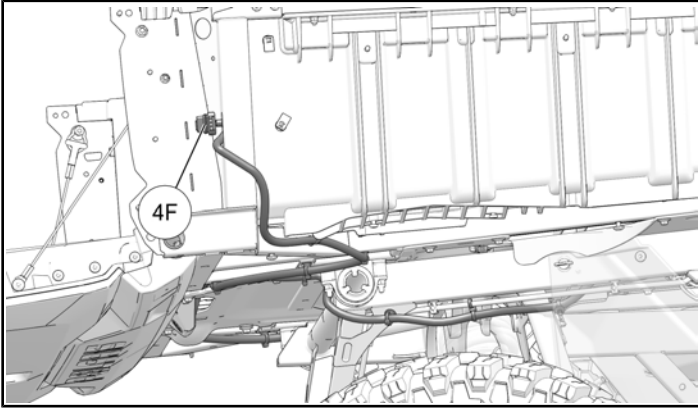
2. Attach harness ② to bottom support bracket on chassis frame with eight fir tree clips.



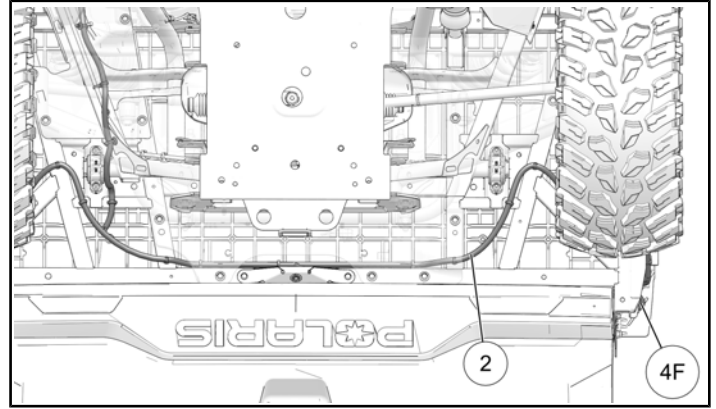
3. Connect box harness 8M connector to main chassis harness.



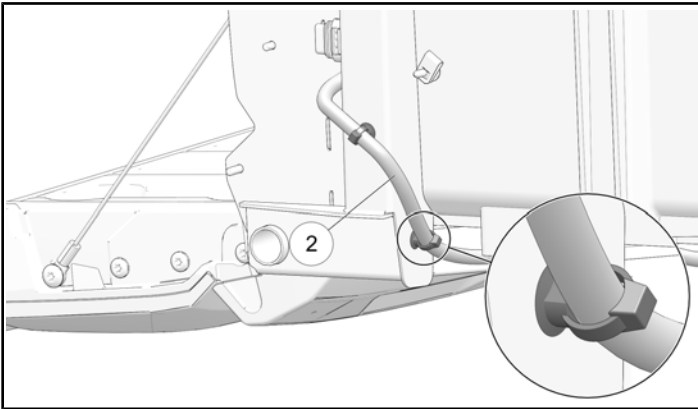
4. Install **4F** taillight connector of box harness onto right cargo box.



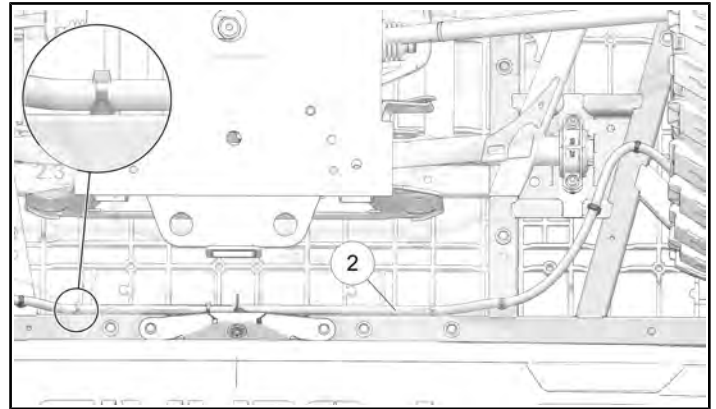
7. Put **4F** left taillight connector of box harness **2** along cargo box outer support tube.



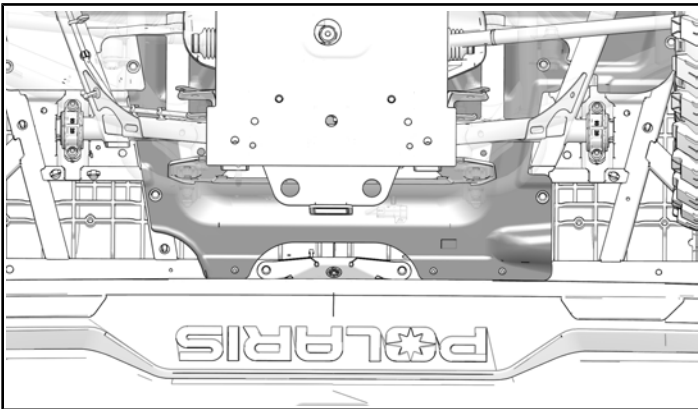
5. Install two fir tree clips to attach box harness **2** to right cargo box support bracket.



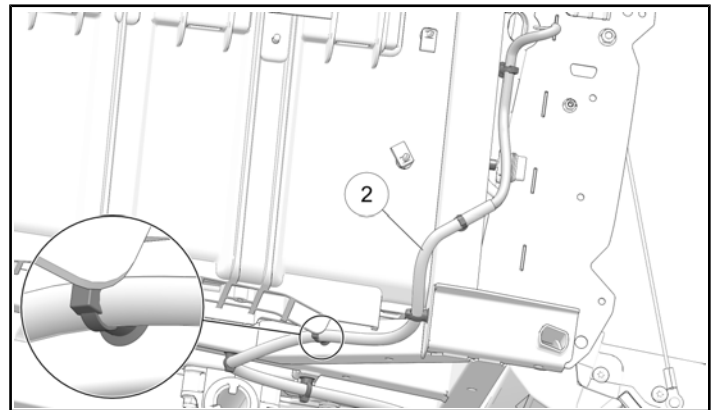
8. Install harness **2** on rear cargo box frame and cargo box outer support tube with six fir tree clips.



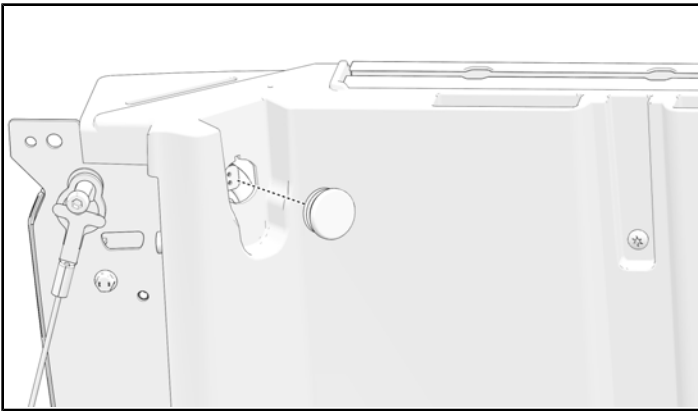
6. Pull back section of rear heat shield away from cargo box outer support tube to allow access below it.



9. Install harness **2** on driver side cargo box support bracket with four fir tree clips.



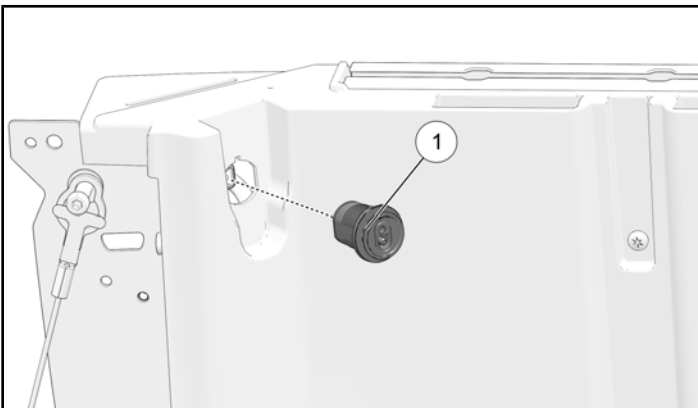
10. Remove temporary plug from cargo box cutout.



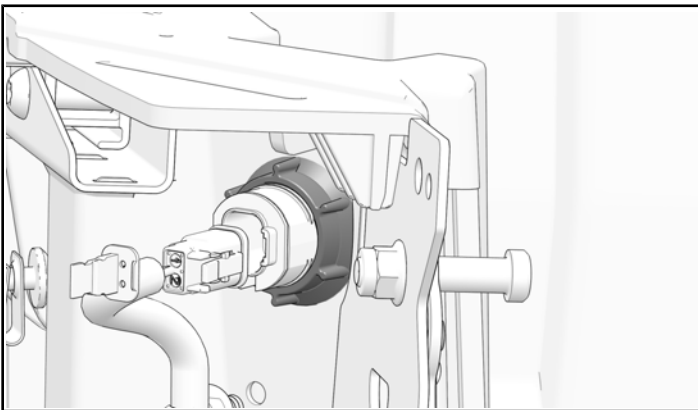
11. Put auxiliary power port plug ① in cargo box cutout.

NOTICE

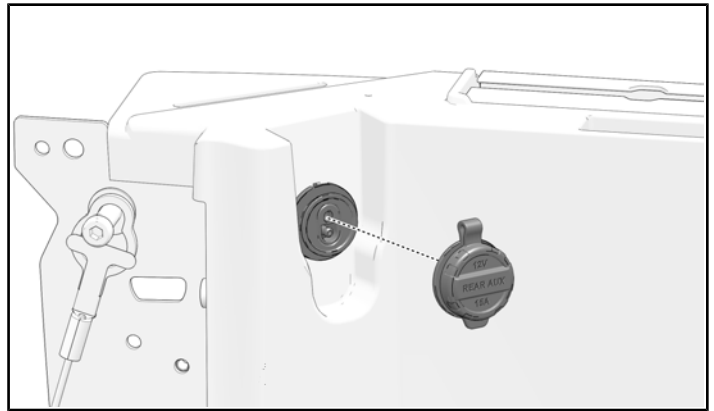
Make sure plug lines up with cutout so keyway notch fits cutout notch.



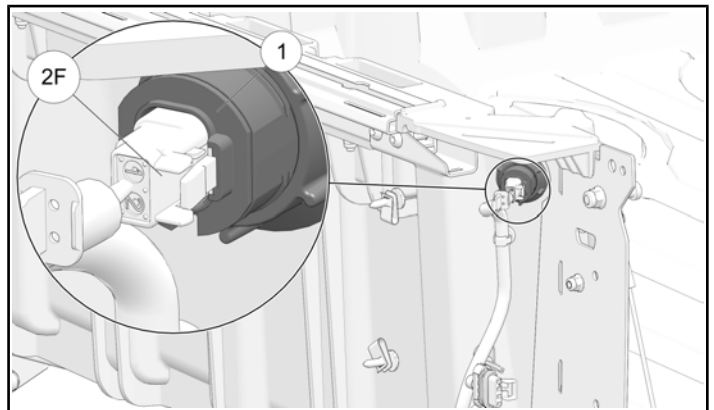
12. Install port nut to plug. Tighten until fully seated.



13. Put cap on auxiliary port plug.



14. Connect box harness connector 2F to power port ①.



VEHICLE REASSEMBLY

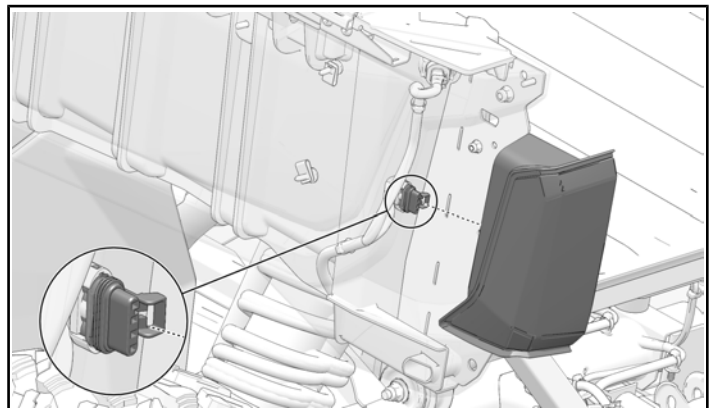
CARGO BOX PANEL AND TAILLIGHT REINSTALLATION

TAILLIGHT INSTALLATION

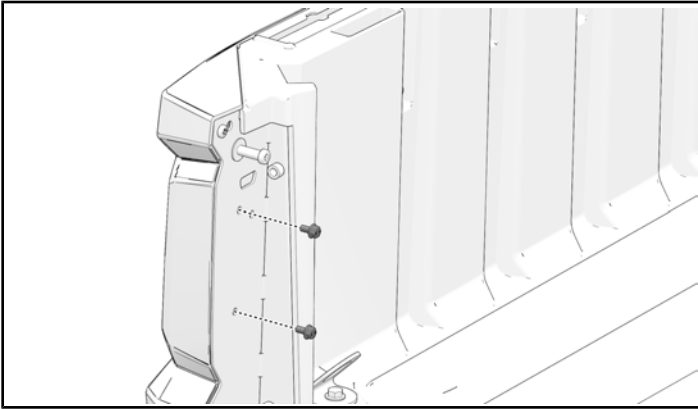
NOTICE

Left side shown; right side similar.

1. Align taillight and connect to harness connector.



2. Install two kept taillight fasteners. Torque until fully seated.



CARGO BOX PANEL INSTALLATION

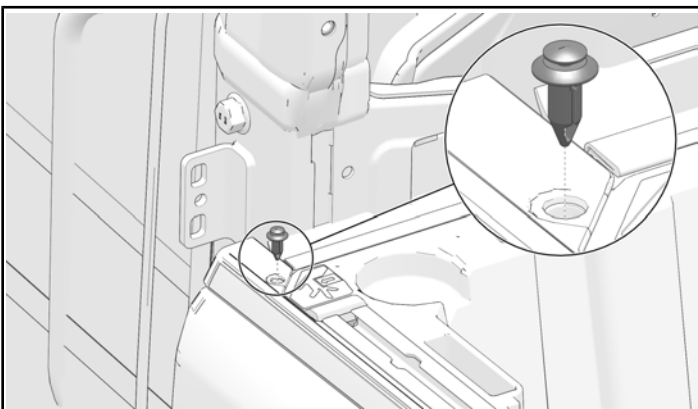
NOTICE

Left side shown; right side similar.

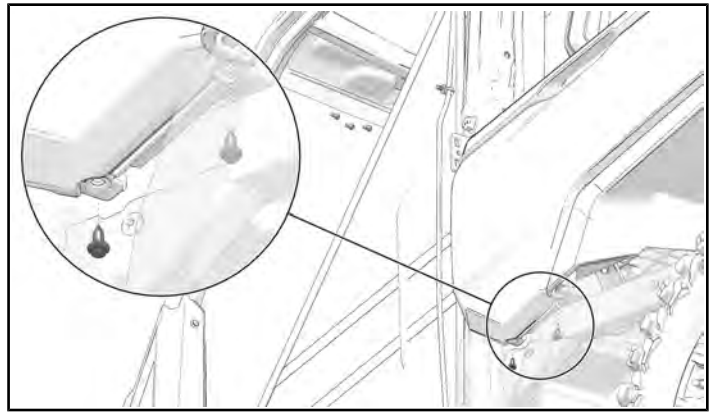
1. Align outer cargo box panel with cargo box.



2. Install kept upper cargo box push pin rivet.



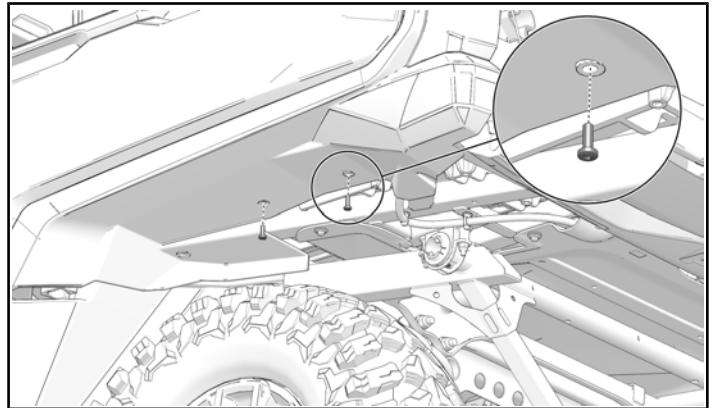
3. Install two kept lower cargo box push pin rivets.



4. Install two kept cargo box bottom screws. Torque screws to specification.

TORQUE

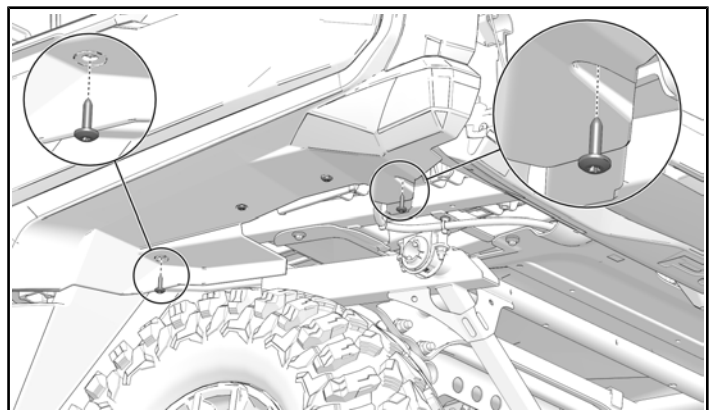
Cargo Box Bottom Screws:
18 in-lbs (2 N·m)



5. Install two kept outer box support tube screws. Torque screws to specification.

TORQUE

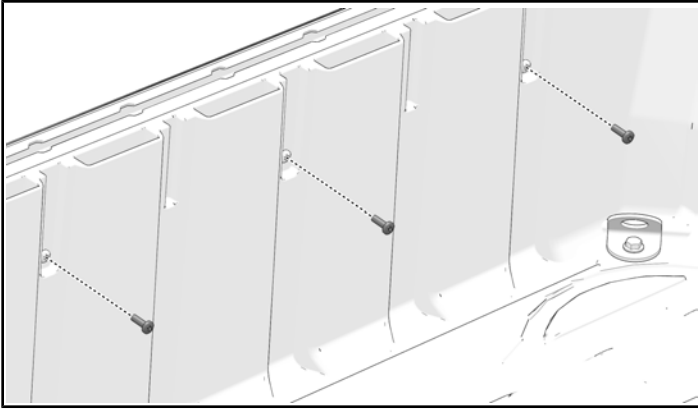
Outer Box Support Tube Screws:
44 in-lbs (5 N·m)



6. Install three kept inside cargo box wall screws. Torque screws to specification.

TORQUE

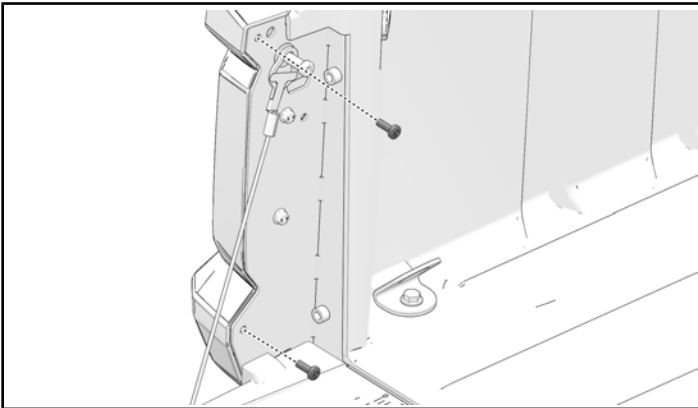
Cargo Box Inside Wall Screws:
18 in-lbs (2 N·m)



7. Install two kept box side support screws. Torque screws to specification.

TORQUE

Box Side Support Screws:
18 in-lbs (2 N·m)

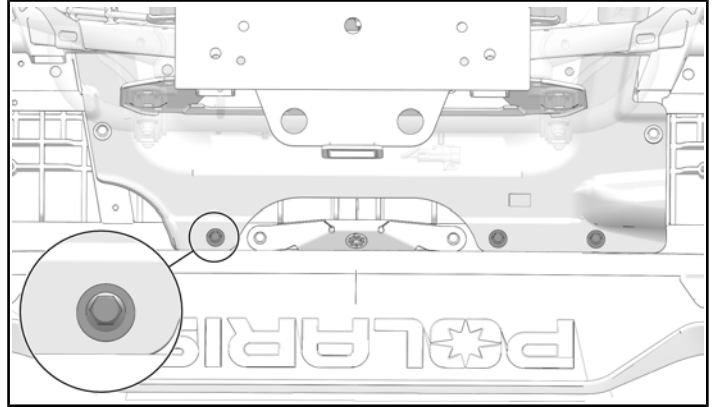


REAR CARGO BOX HEAT SHIELD INSTALLATION

1. Install three kept screws from rear cargo box heat shield. Torque screws to specification.

TORQUE

Rear Heat Shield Screws:
44 in-lbs (5 N·m)



BATTERY CONNECT

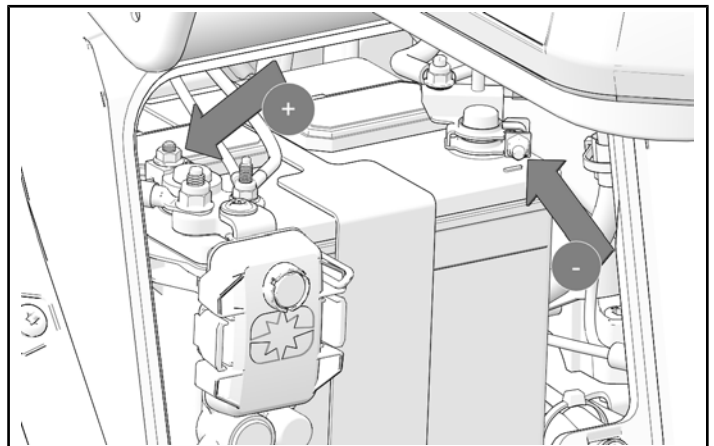
1. Connect positive battery cable first. Connect negative battery cable second. Torque to specification.

TORQUE

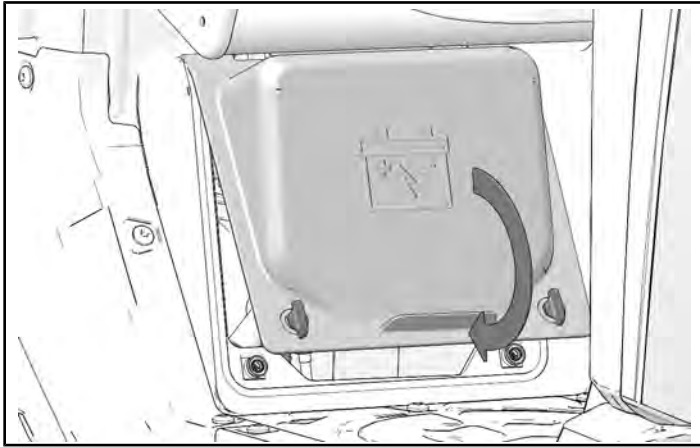
Positive Battery Connection:
49 in-lbs (5.5 N·m)

TORQUE

Negative Battery Connection:
40 in-lbs (4.5 N·m)



2. Install top of battery compartment cover then move into place.



3. Turn two quarter turn fasteners to lock cover.

