

REAR CAMERA KIT



P/N 2890858

MISSING OR DAMAGED PARTS

Before beginning assembly, inspect the kit and its component(s) to be sure all parts and tools are accounted for and not damaged. If missing parts or parts are damaged, please contact your Selling Dealer for assistance.

If your accessory was purchased online, please contact POLARIS® customer service at **1-800-POLARIS** (US & Canada only).

APPLICATION

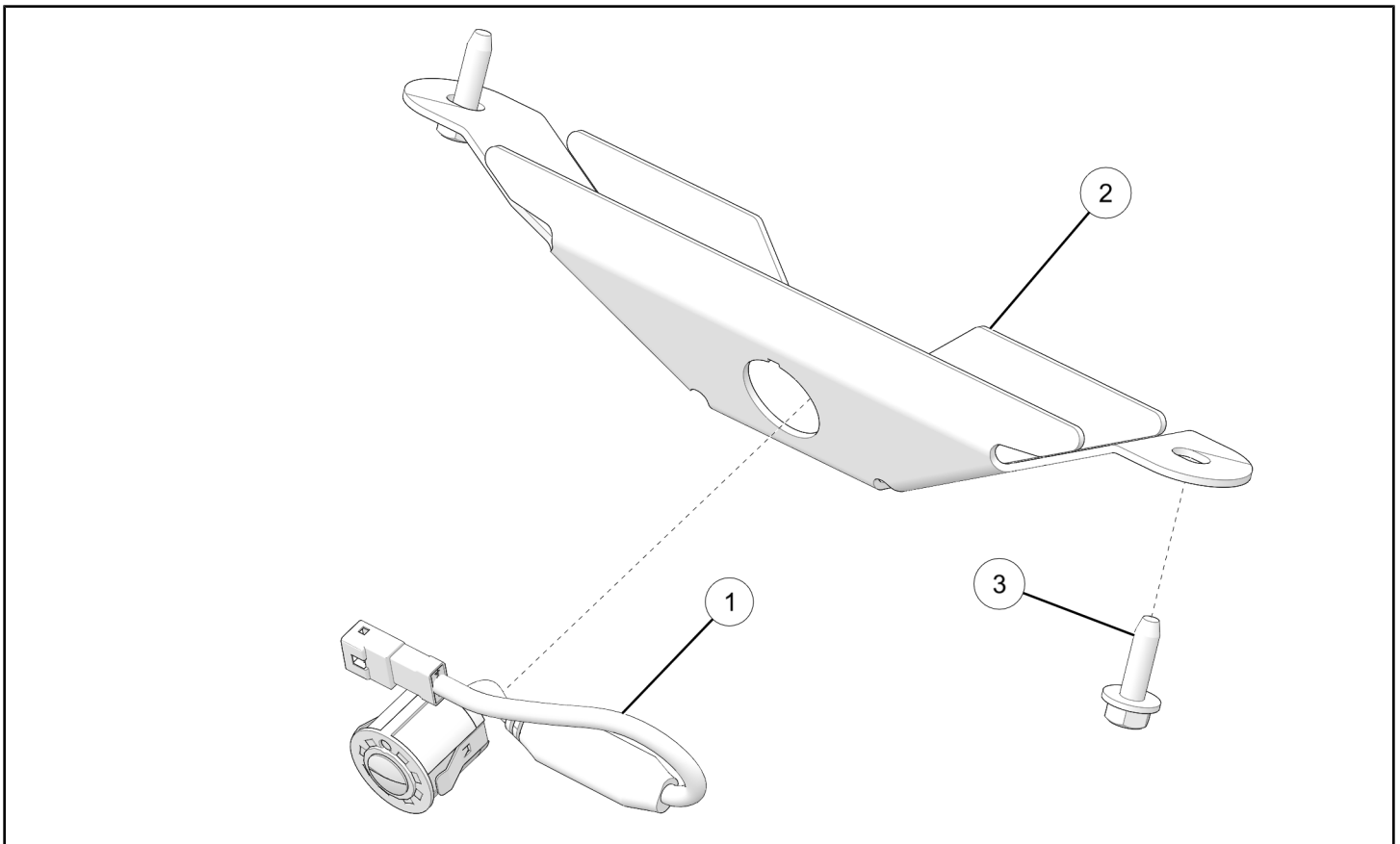
Verify accessory fitment at www.polaris.com.

REQUIRED SOLD SEPARATELY

Only parts for installation of the Rear Camera Kit are included. Prior installation of the following additional kits are also required (sold separately):

- *Ride Command Kit*, P/N 2889766
- *Box Harness Kit*, P/N 2890857

KIT CONTENTS



REF	QTY	PART DESCRIPTION	P/N AVAILABLE SEPARATELY
1	1	Rear Camera	4081064
2	1	Camera Mount	n/a
3	2	Screw, Hex Head, Flange, Thread Forming, M6 x 1.0 x 20 mm	7518529

TOOLS REQUIRED

- Safety Glasses
- Socket Set, Metric
- Torque Wrench

IMPORTANT

Your Rear Camera Kit is exclusively designed for your vehicle. Please read the installation instructions thoroughly before beginning. Installation is easier if the vehicle is clean and free of debris. For your safety, and to ensure a satisfactory installation, perform all installation steps correctly in the sequence shown.

INSTALLATION INSTRUCTIONS

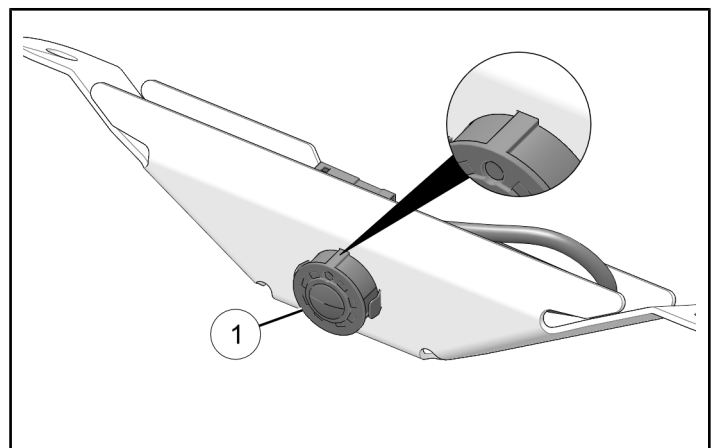
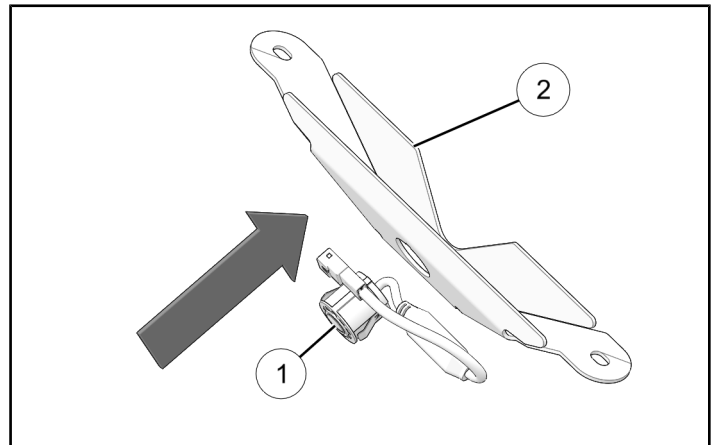
VEHICLE PREPARATION

GENERAL

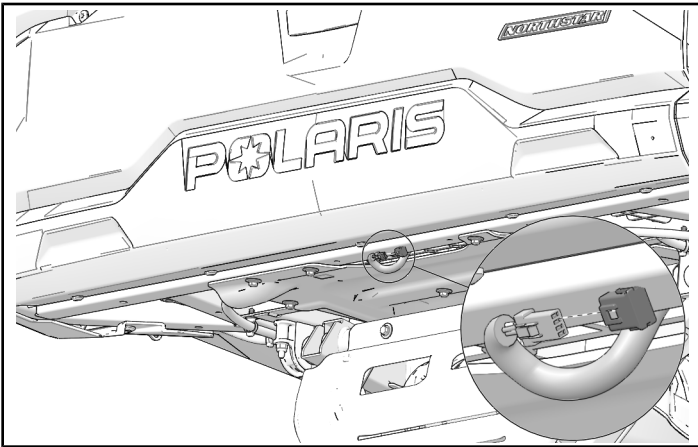
1. Park vehicle on a flat surface.
2. Shift vehicle into PARK.
3. Turn key to OFF position and remove key.

ACCESSORY INSTALLATION

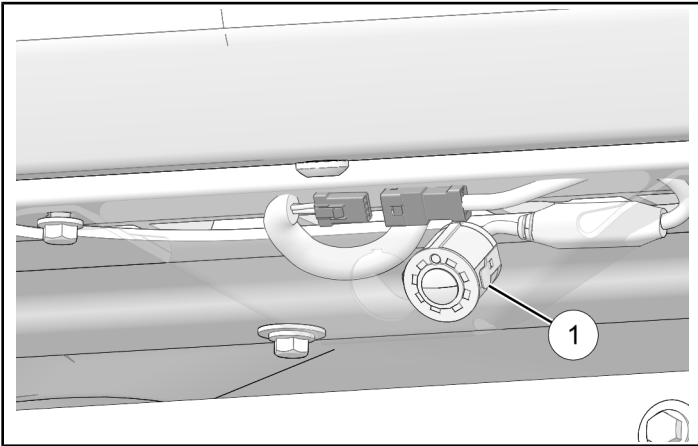
1. Install rear camera ① and harness through hole in camera mount ②. Make sure the rear camera and camera mount indentation lines up. Push rear camera until a click can be heard.



2. Remove cap from vehicle camera harness under rear vehicle box.



3. Connect rear camera ① harness to vehicle camera harness.



4. Line up camera mount ② holes with holes under vehicle box. Attach camera mount ② to vehicle box with two screws ③. Torque screws to specification

TORQUE

Screws ③:
70 in-lbs (8 N·m)

