

FRONT CAMERA KIT



P/N 2890856

MISSING OR DAMAGED PARTS

Before beginning assembly, inspect the kit and its component(s) to be sure all parts and tools are accounted for and not damaged. If missing parts or parts are damaged, please contact your Selling Dealer for assistance.

If your accessory was purchased online, please contact POLARIS® customer service at **1-800-POLARIS** (US & Canada only).

APPLICATION

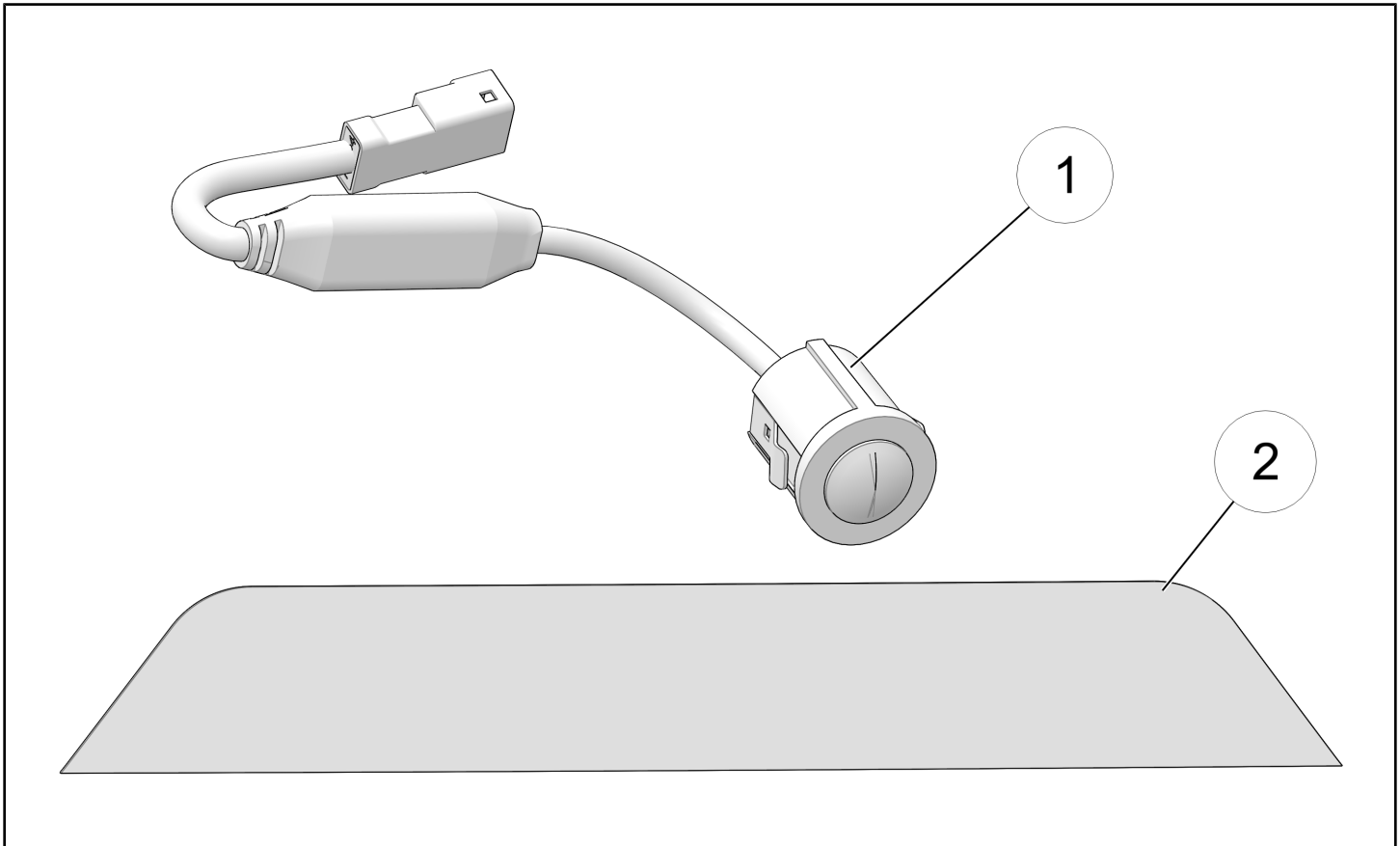
Verify accessory fitment at www.polaris.com.

REQUIRED SOLD SEPARATELY

Only parts for installation of the Front Camera Kit are included. Prior installation of the following additional kits are also required (sold separately):

- *Ride Command® Kit*, P/N 2889766, or factory installed Ride Command®

KIT CONTENTS



REF	QTY	PART DESCRIPTION	P/N AVAILABLE SEPARATELY
1	1	Wide Angle Front Camera	4081063
2	1	Front Camera Template	9941381

TOOLS REQUIRED

- Safety Glasses
- Cutting Tool
- Drill
- Drill Bit:
 - 13/16 in

IMPORTANT

Your Front Camera Kit is exclusively designed for your vehicle. Please read the installation instructions thoroughly before beginning. Installation is easier if the vehicle is clean and free of debris. For your safety, and to ensure a satisfactory installation, perform all installation steps correctly in the sequence shown.

INSTALLATION INSTRUCTIONS

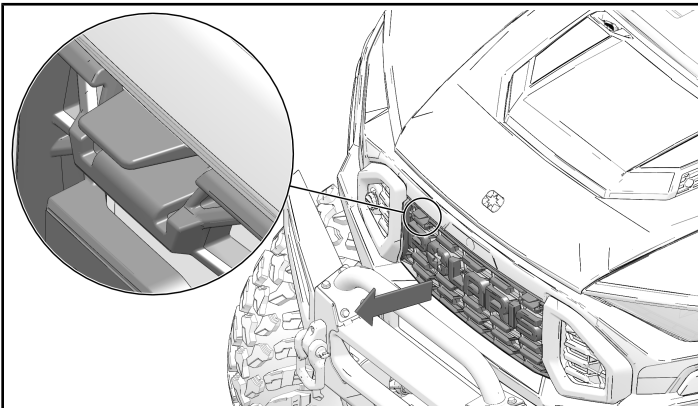
VEHICLE PREPARATION

GENERAL

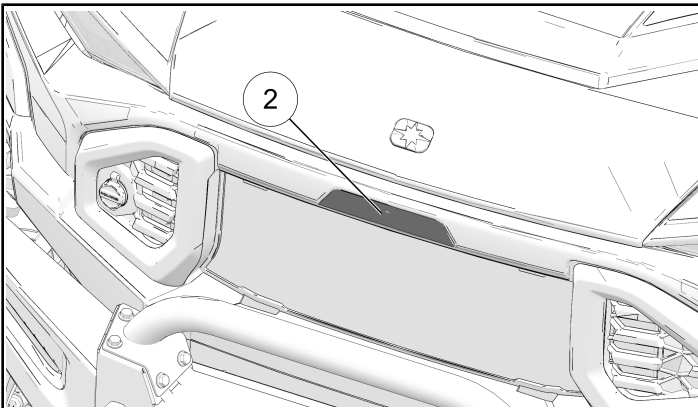
1. Park vehicle on a flat surface.
2. Shift vehicle into PARK.
3. Turn key to OFF position and remove key.

ACCESSORY INSTALLATION

1. Push the two top tabs down on the front grille to remove it.

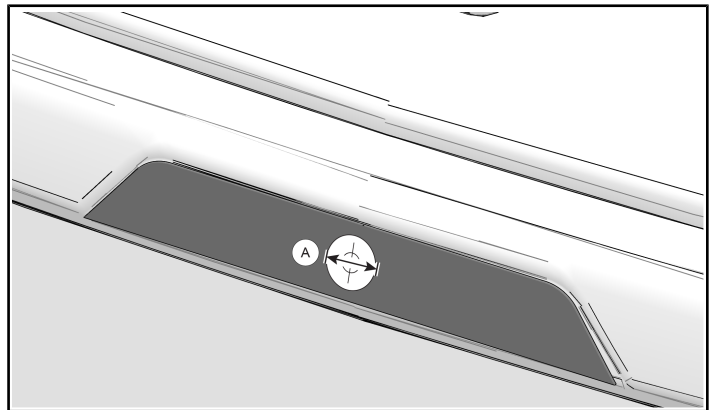


2. Put template ② on center of front fascia. Use a cutting tool to mark the center so it is visible when the template is removed.

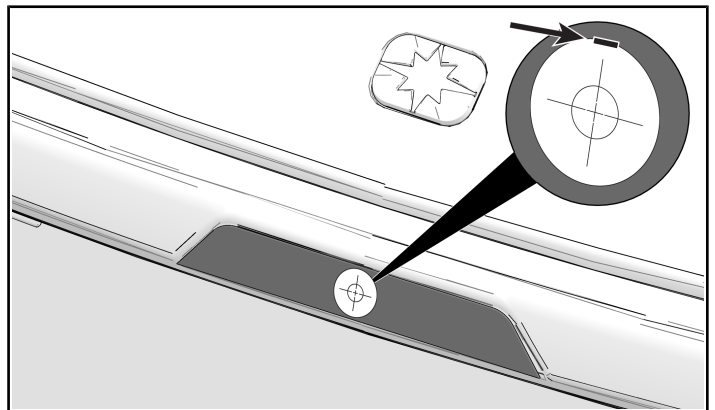


3. Remove template and drill a hole through front fascia where center was marked.

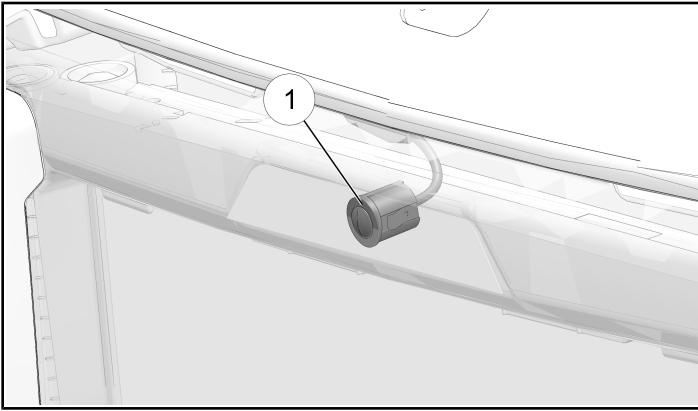
MEASUREMENT
Drill Bit: 13/16 in (20.64 mm)
Hole Diameter Ⓐ
13/16 in (20.64 mm)



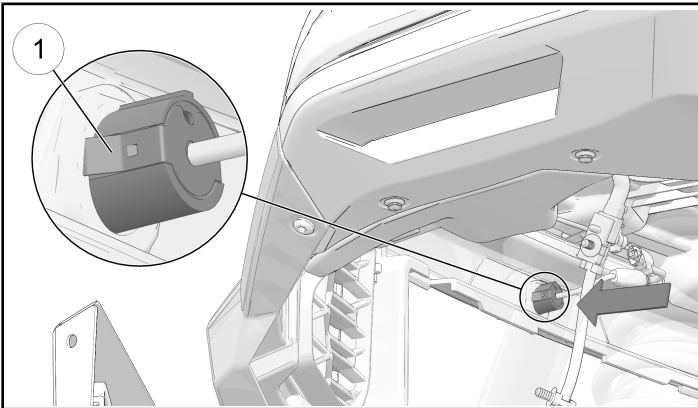
4. Use a cutting tool to make a notch at the top of the drilled hole where marked.



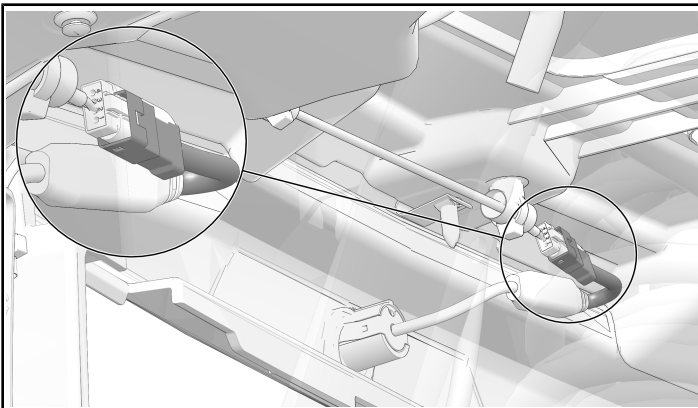
5. Install front camera ① into hole.



6. Push camera ① until two locking clips are fully seated.



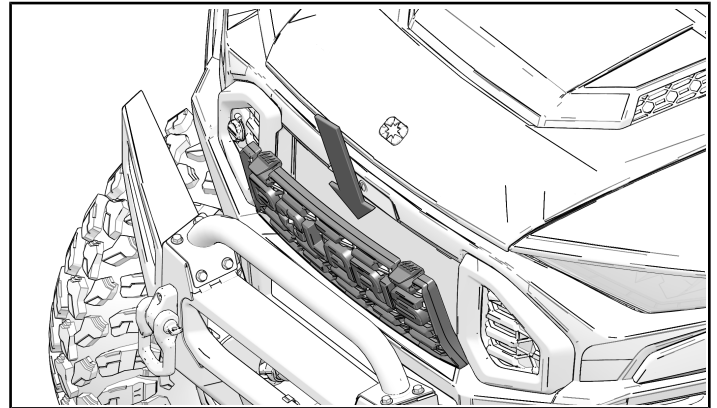
7. Connect camera connector to Ride Command® audio harness connector.



VEHICLE REASSEMBLY

REINSTALL FRONT GRILLE

1. Put bottom of front grille in place.



2. Push top of grille in until two tabs engage front fascia and it is fully seated.

