

SHACKLES KIT



P/N 2890854

MISSING OR DAMAGED PARTS

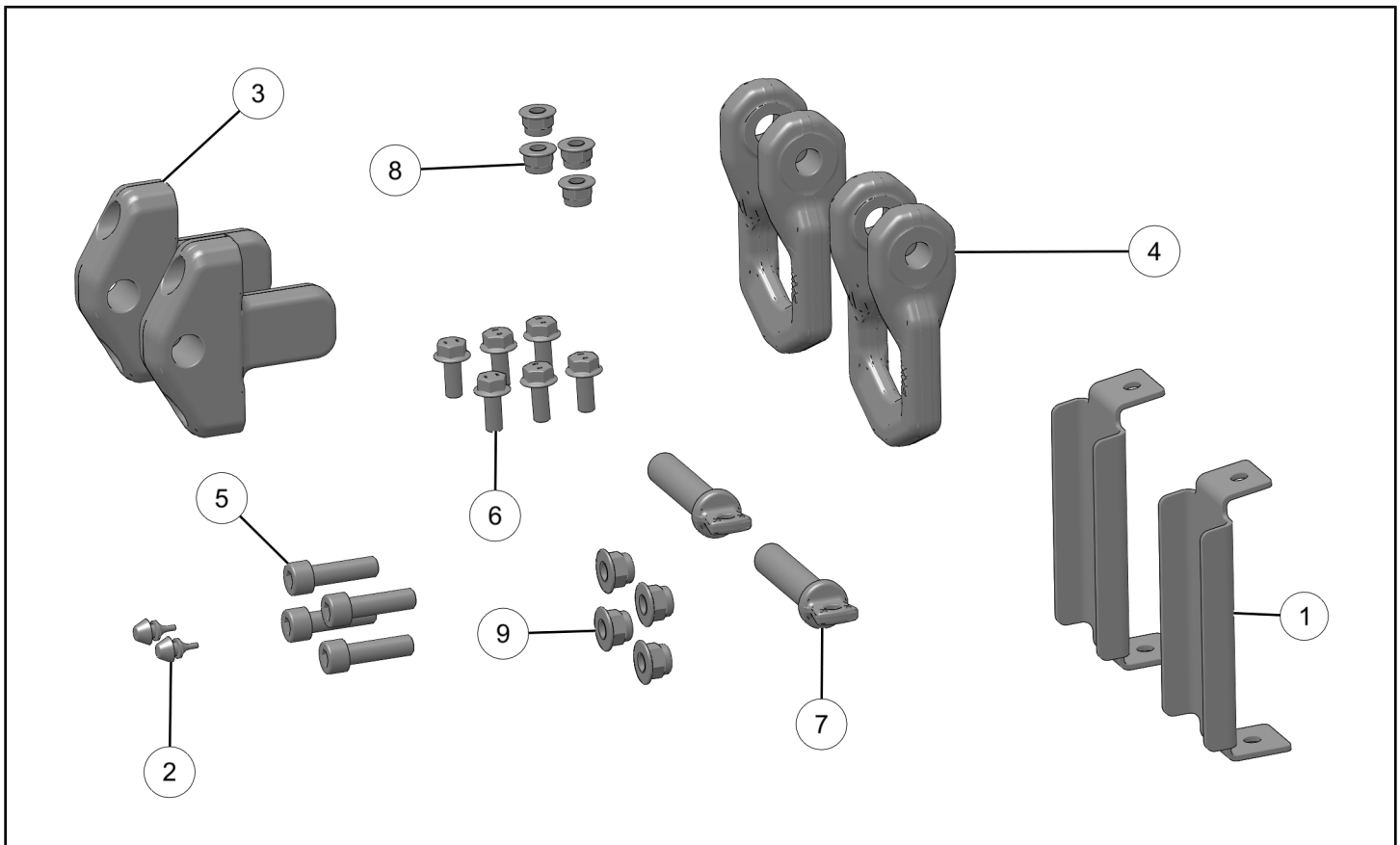
Before beginning assembly, inspect the kit and its component(s) to be sure all parts and tools are accounted for and not damaged. If missing parts or parts are damaged, please contact your Selling Dealer for assistance.

If your accessory was purchased online, please contact POLARIS® customer service at **1-800-POLARIS** (US & Canada only).

APPLICATION

Verify accessory fitment at www.polaris.com.

KIT CONTENTS



REF	QTY	PART DESCRIPTION	P/N AVAILABLE SEPARATELY
1	2	Bracket, Shackle	5271183-329
2	2	Grommet, Bumper	5412465
3	2	Mount, Shackle	5639232
4	2	Shackle	5639233
5	4	Screw, Socket Head, M10 x 1.5 x 35 mm	7519959
6	6	Screw, Hex Flanged, M8 x 1.25 x 20 mm	7521332-20

REF	QTY	PART DESCRIPTION	P/N AVAILABLE SEPARATELY
7	2	Bolt, Shackle	7527903
8	4	Nut, Hex Flanged, M8 x 1.25 mm	7548028
9	4	Nut, Hex Flanged, M10 x 1.5 mm	7548029

TOOLS REQUIRED

- Safety Glasses
- Socket Extension
- Socket Set, Hex Bit, Metric
- Socket Set, Metric
- Torque Wrench
- Wrench Set, Metric

IMPORTANT

Your Shackles Kit is exclusively designed for your vehicle. Please read the installation instructions thoroughly before beginning. Installation is easier if the vehicle is clean and free of debris. For your safety, and to ensure a satisfactory installation, perform all installation steps correctly in the sequence shown.

INSTALLATION INSTRUCTIONS

VEHICLE PREPARATION

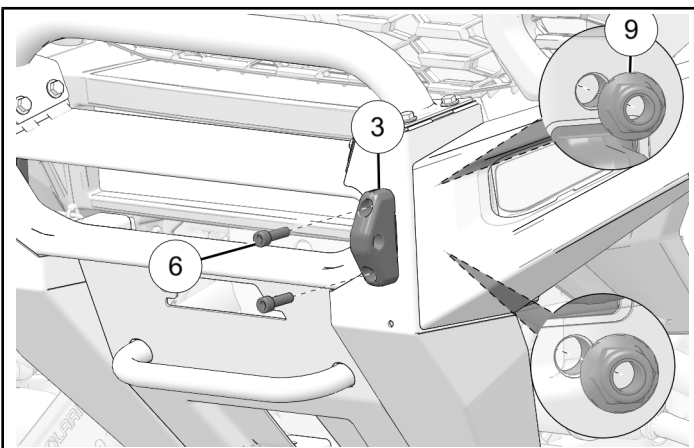
GENERAL

1. Park vehicle on a flat surface.
2. Shift vehicle into PARK.
3. Turn key to OFF position and remove key.

ACCESSORY INSTALLATION

1. Install shackle mount ③ to front of bumper using two screws ⑥ and two nuts ⑨.

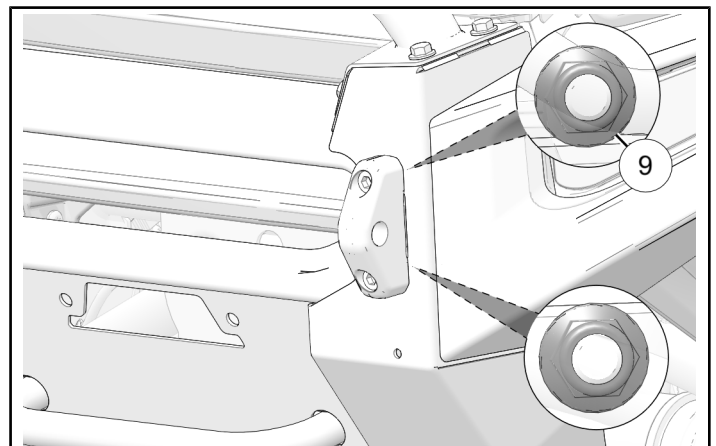
NOTICE
Left side shown; right side similar.



2. Torque nuts ⑨ to specification.

NOTICE
Left side shown; right side similar.

TORQUE
Nuts ⑨:
26 ft-lbs (35 N·m)



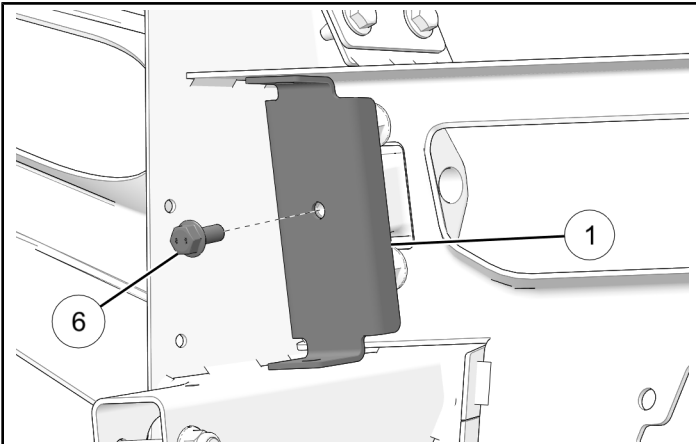
3. Loosely install bracket ① to rear of shackle mount using one screw ⑥.

NOTICE

Left side shown; right side similar.

NOTICE

Parts of the vehicle have been hidden for clarity.



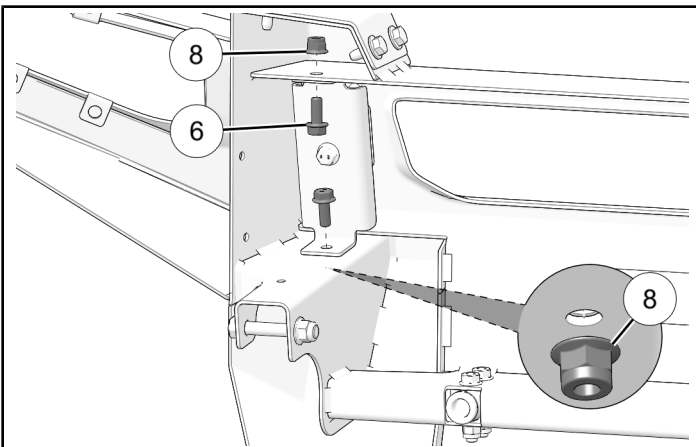
4. Loosely install bracket to bumper using two screws ⑥ and two nuts ⑧.

NOTICE

Left side shown; right side similar.

NOTICE

Parts of the vehicle have been hidden for clarity.



5. Torque bracket hardware to specification.

NOTICE

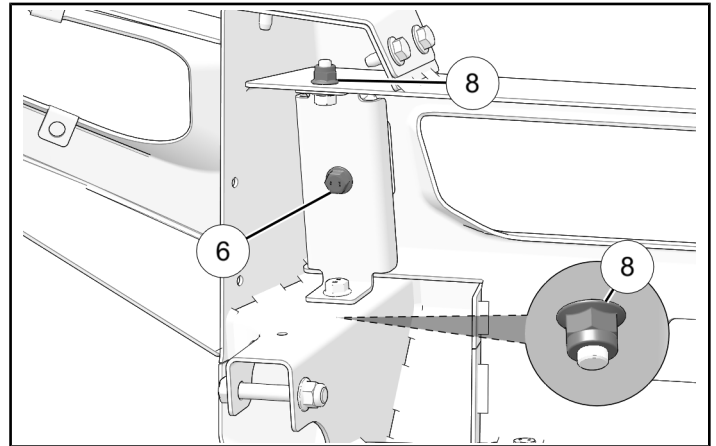
Parts of the vehicle have been hidden for clarity.

NOTICE

Left side shown; right side similar.

TORQUE

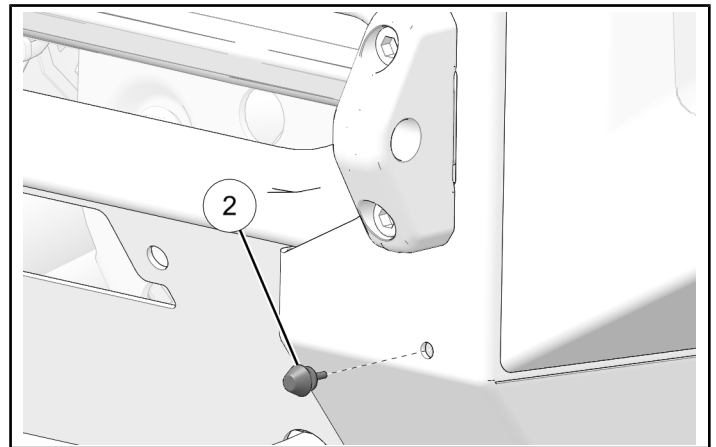
Nuts ⑧, Screw ⑥:
22 ft-lbs (30 N·m)



6. Install grommet ② into hole below shackle mount.

NOTICE

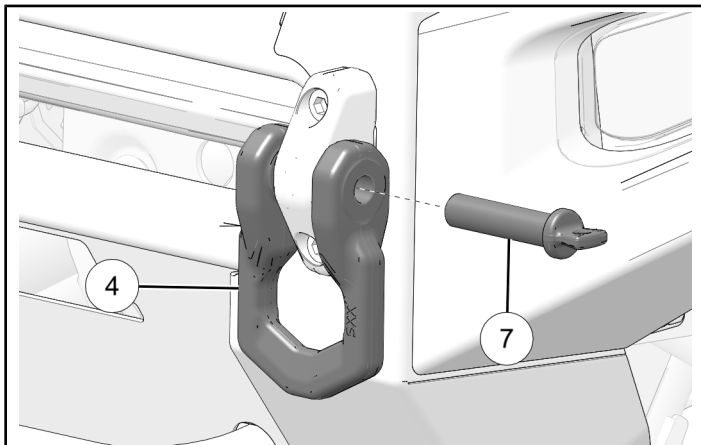
Left side shown; right side similar.



7. Install shackle ④ to shackle mount using shackle bolt ⑦.

NOTICE

Left side shown; right side similar.



8. Torque shackle bolt ⑦ to specification.

NOTICE

Left side shown; right side similar.

TORQUE

Shackle Bolt:
79 in-lbs (9 N·m)

