

# FRONT / REAR DOOR ACCENT PANELS KIT



P/N 2890688; 2890689

## MISSING OR DAMAGED PARTS

Before beginning assembly, inspect the kit and its component(s) to be sure all parts and tools are accounted for and not damaged. If missing parts or parts are damaged, please contact your Selling Dealer for assistance.

If your accessory was purchased online, please contact POLARIS® customer service at **1-800-POLARIS** (US & Canada only).

## APPLICATION

Verify accessory fitment at [www.polaris.com](http://www.polaris.com).

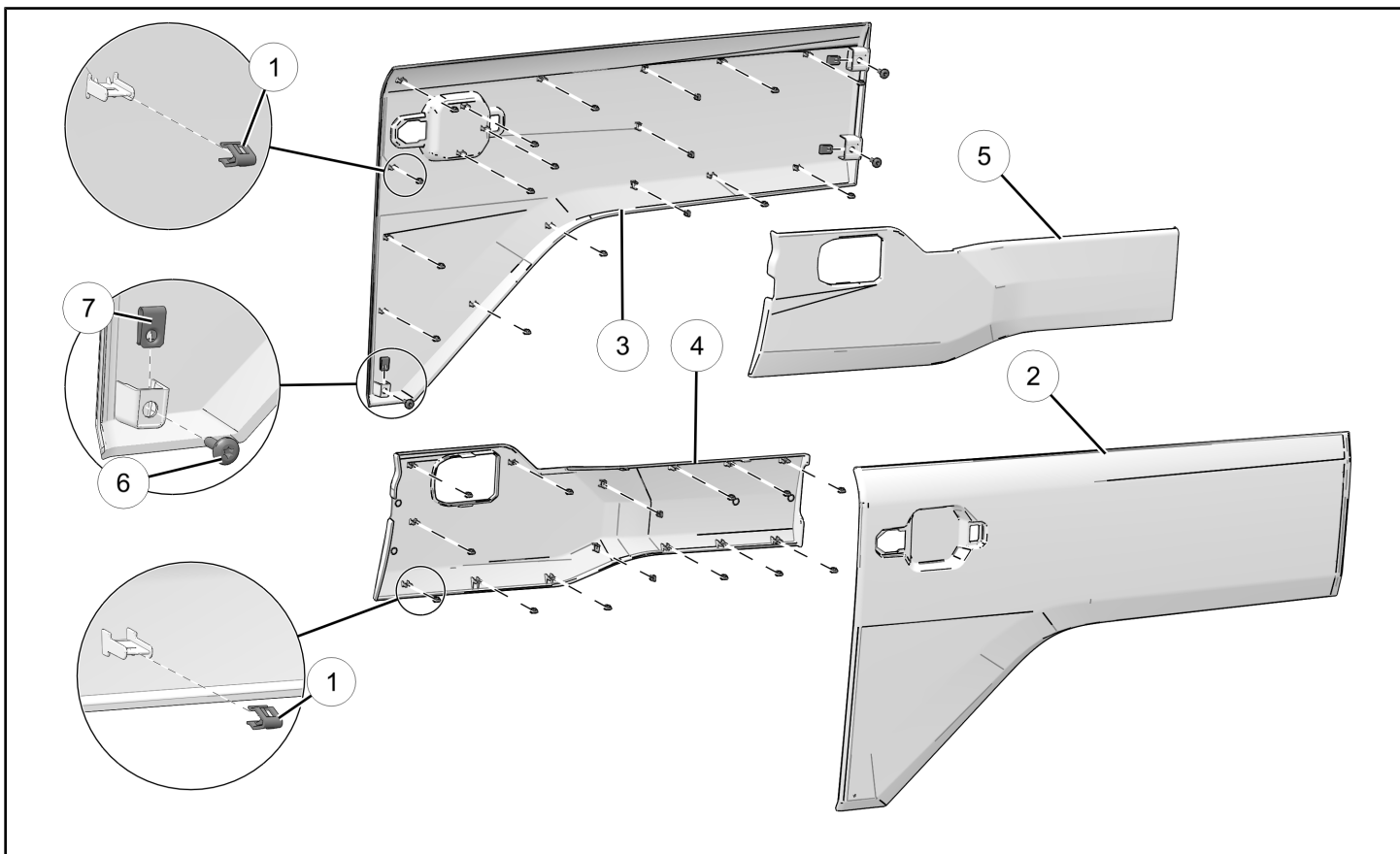
## REQUIRED SOLD SEPARATELY

Only parts for installation of the Front / Rear Door Accent Panels Kit are included. Prior installation of the following additional kits are also required (sold separately):

- *Powered Full Front Doors Kit, P/N 2889075*
- *Powered Full Rear Doors Kit, P/N 2889076*

## KIT CONTENTS

### FRONT DOOR ACCENT PANEL KIT P/N 2890688-XXX

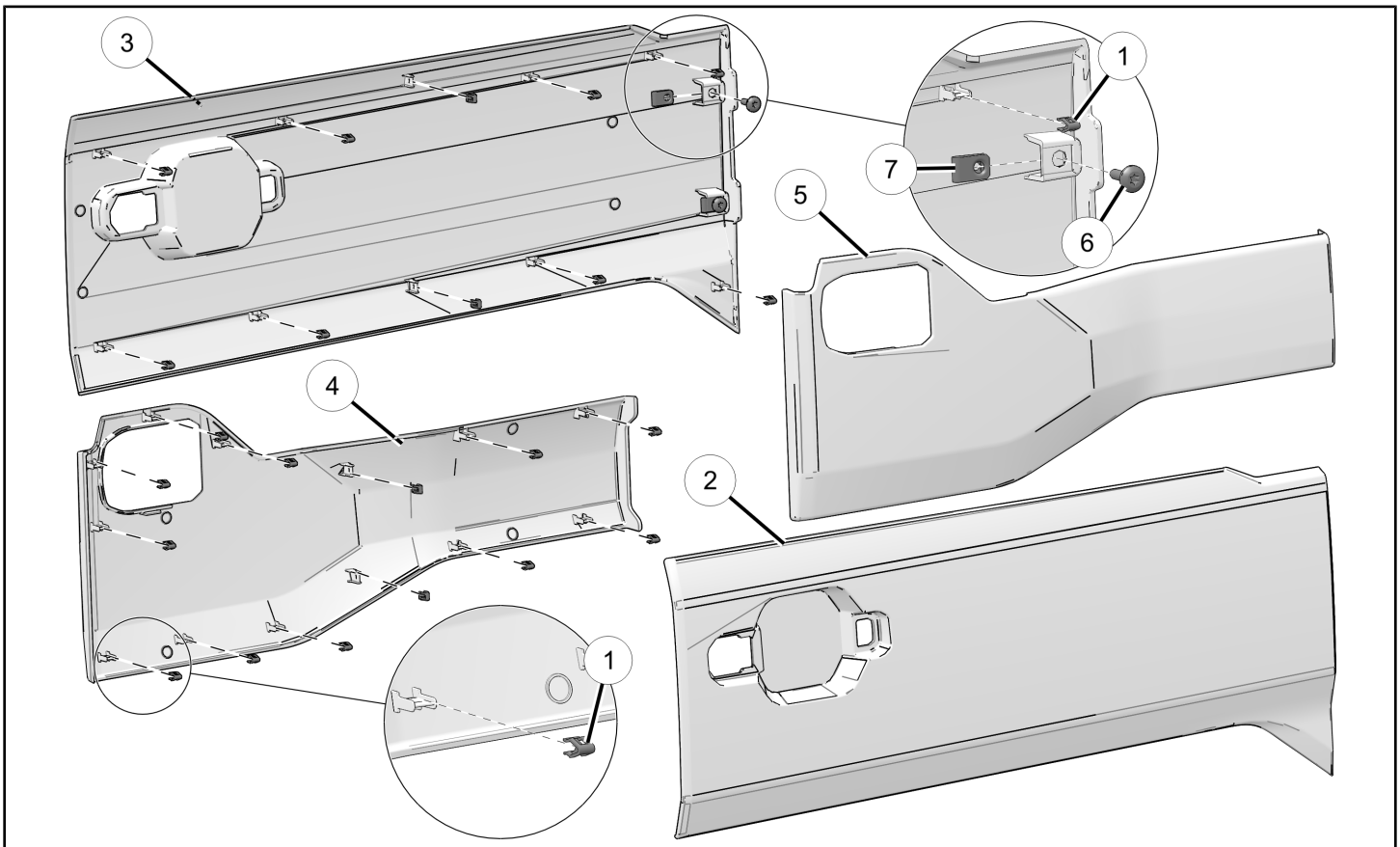


### NOTICE

XXX = POLARIS® color code (For example: 266 = Black)

REF	QTY	PART DESCRIPTION	P/N AVAILABLE SEPARATELY
1	65	Plastic Clip	5456313
2	1	Left Exterior Front Door Panel	n/a
3	1	Right Exterior Front Door Panel	n/a
4	1	Left Interior Door Panel	n/a
5	1	Right Interior Door Panel	n/a
6	6	Screw, Torx® Truss Head M6 x 1.0 x 25 mm	7519650
7	6	U-nut M6 x 1.0 mm	7547674

### REAR DOOR ACCENT PANEL KIT P/N 2890689-XXX



#### NOTICE

XXX = POLARIS® color code (For example: 266 = Black)

REF	QTY	PART DESCRIPTION	P/N AVAILABLE SEPARATELY
1	50	Plastic Clip	5456313
2	1	Left Exterior Rear Door Panel	n/a
3	1	Right Exterior Rear Door Panel	n/a
4	1	Left Interior Rear Door Panel	n/a
5	1	Right Interior Rear Door Panel	n/a

REF	QTY	PART DESCRIPTION	P/N AVAILABLE SEPARATELY
6	4	Screw, Torx® Truss Head M6 x 1.0 x 25 mm	7519650
7	4	U-nut M6 x 1.0 mm	7547674

## TOOLS REQUIRED

- Safety Glasses
- Socket Set, Torx® Bit
- Torque Wrench

## IMPORTANT

Your Front / Rear Door Accent Panels Kit is exclusively designed for your vehicle. Please read the installation instructions thoroughly before beginning. Installation is easier if the vehicle is clean and free of debris. For your safety, and to ensure a satisfactory installation, perform all installation steps correctly in the sequence shown.

## INSTALLATION INSTRUCTIONS

### VEHICLE PREPARATION

#### GENERAL

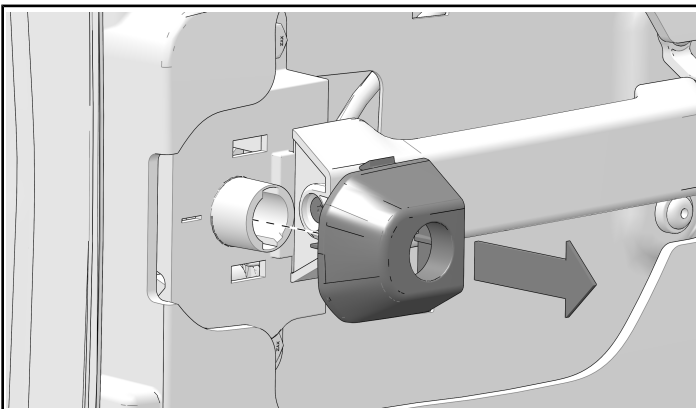
1. Park vehicle on a flat surface.
2. Shift vehicle into PARK.
3. Turn key to OFF position and remove key.

#### LOCK AND HANDLE REMOVAL

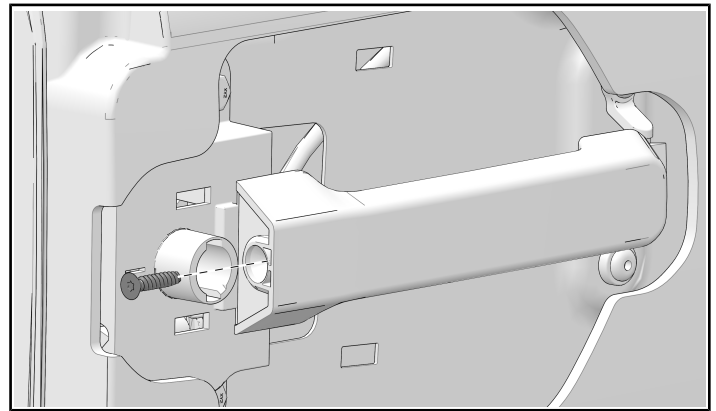
##### NOTICE

Left side shown; right side similar.

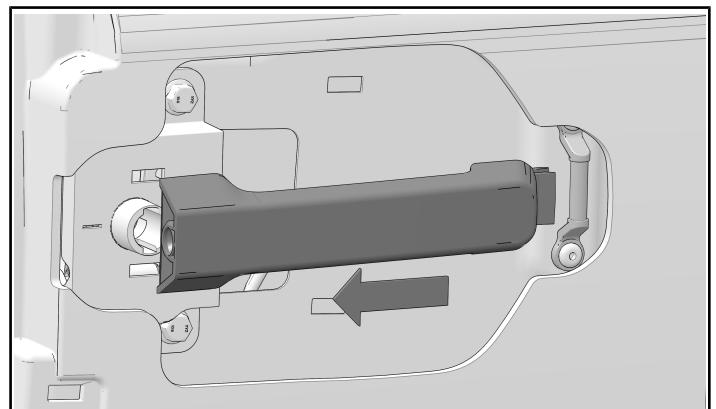
1. Remove and keep actuator lock cover. Carefully pull cover out of actuator assembly and snap on slots.



2. Remove and keep door handle screw.



3. Remove and keep door handle. Pull handle out from hinged pivot.



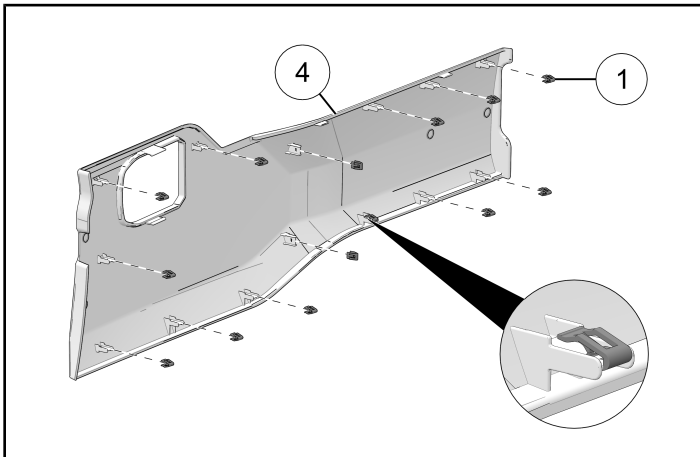
## ACCESSORY INSTALLATION

### FRONT DOOR ACCENT PANEL INSTALLATION

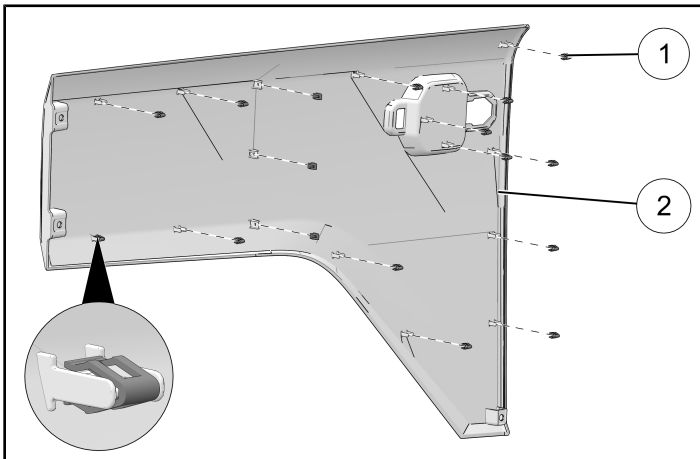
#### NOTICE

Left side shown; right side similar.

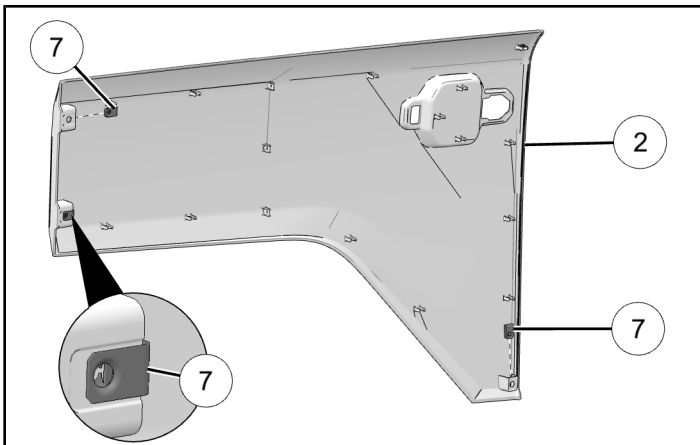
1. Install fourteen plastic clips ① onto front left interior accent panel ④.



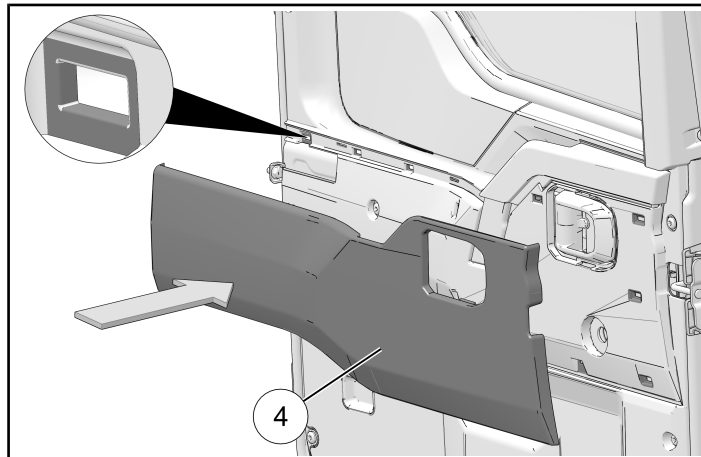
2. Install seventeen plastic clips ① onto front left exterior accent panel ②.



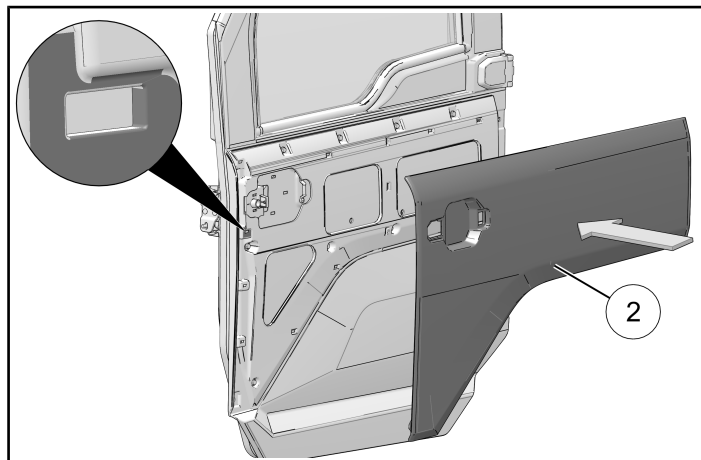
3. Install three U-nuts ⑦ onto accent panel ②.



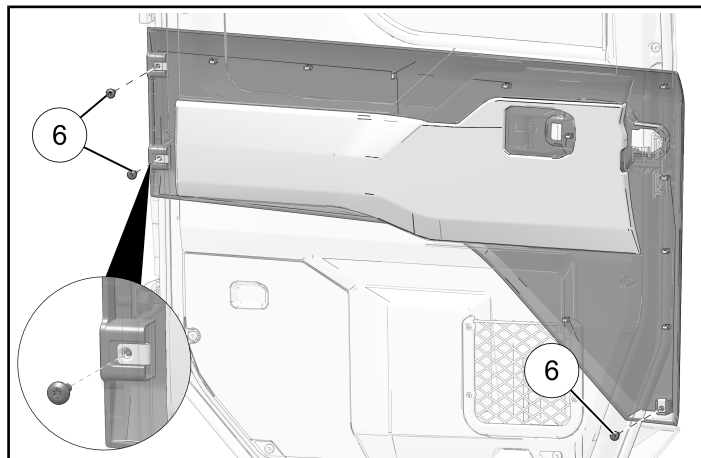
4. Install interior accent panel ④ onto interior of front left door (Kit P/N 2889075). Align plastic clips with slots in door. Push panel firmly into place.



5. Install exterior accent panel ② onto exterior of front left door. Align plastic clips with slots in door. Push panel firmly into place.



6. Attach exterior accent panel ④ using three screws ⑥.





7. Torque screws ⑥ to specification.

### TORQUE

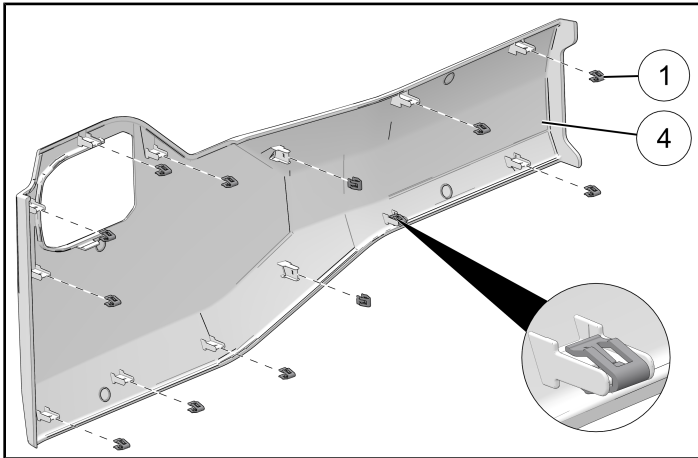
Screws ⑥:  
35 in-lbs (4 N·m)

## REAR DOOR ACCENT PANEL INSTALLATION

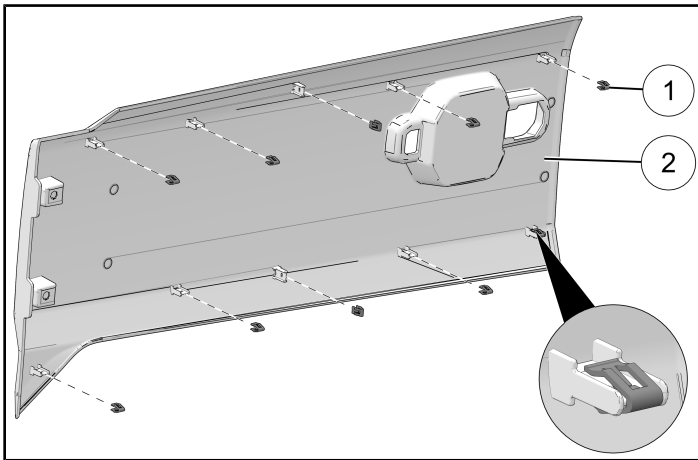
### NOTICE

Left side shown; right side similar.

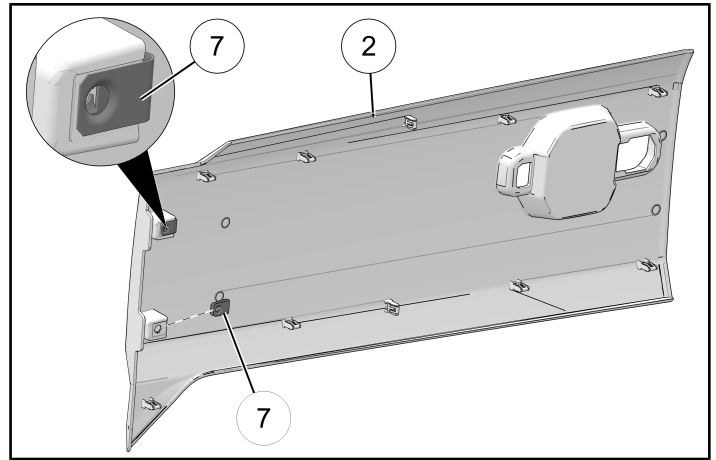
1. Install thirteen plastic clips ① onto rear left interior accent panel ④.



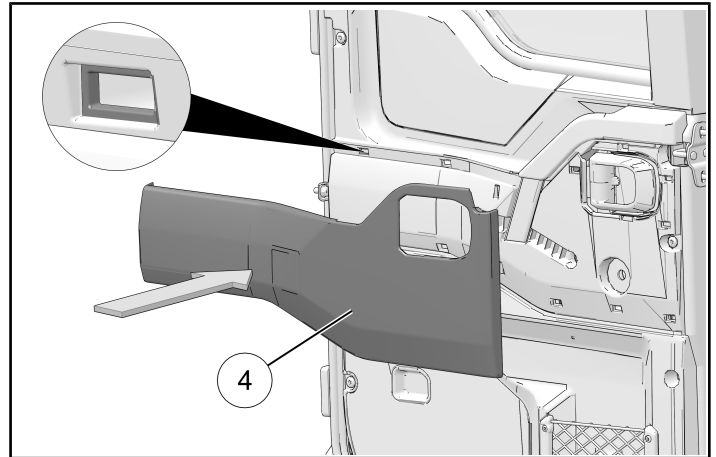
2. Install ten plastic clips ① onto rear left exterior accent panel ②.



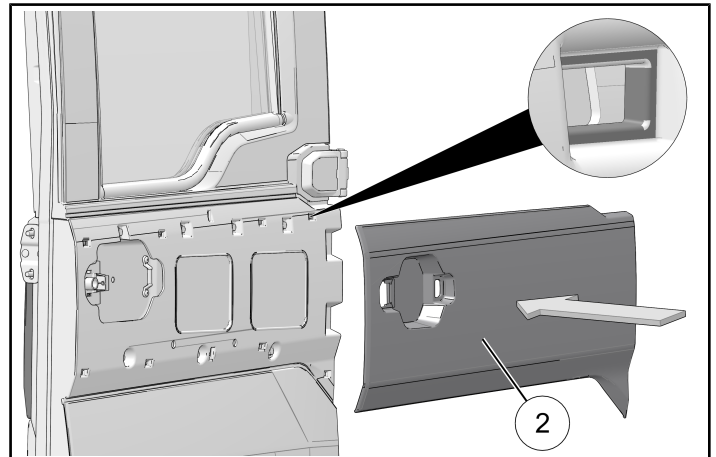
3. Install U-nuts ⑦ onto accent panel ②.



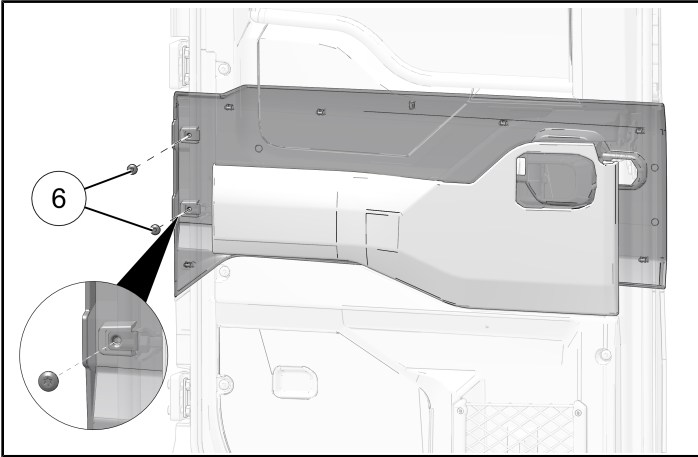
4. Install interior accent panel ④ onto rear left door (Kit P/N 2889076). Align plastic clips with slots in door. Push panel firmly into place.



5. Install exterior accent panel ② onto exterior of rear left door. Align plastic clips with slots in door. Push panel firmly into place.



6. Attach exterior accent panel ④ using two screws ⑥.



7. Torque screws ⑥ to specification.

**TORQUE**

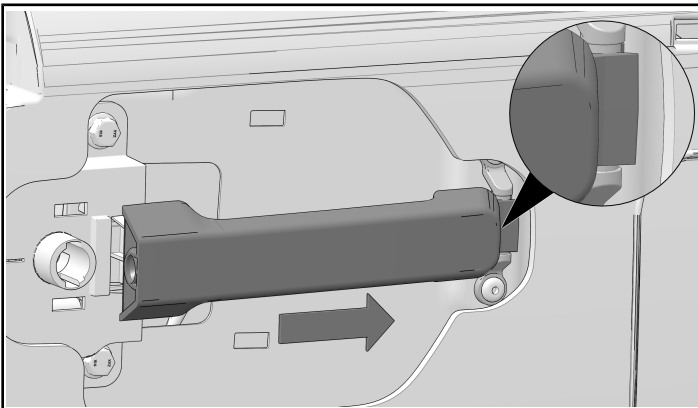
Screws ⑥:  
**35 in-lbs (4 N·m)**

**LOCK AND HANDLE INSTALLATION**

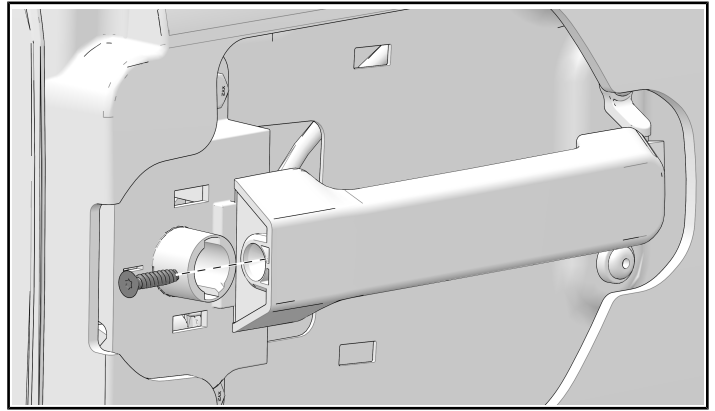
**NOTICE**

Left side shown; right side similar.

1. Push exterior door handle onto hinged pivot.



2. Install door handle screw.



3. Torque to specification.

**TORQUE**

Door Handle Screw:  
**27 in-lbs (3 N·m)**

4. Align actuator lock cover with actuator assembly and snap on slots. Push firmly into place.

