

# ROOFTOP TENT KIT



P/N 2890560

## MISSING OR DAMAGED PARTS

Before beginning assembly, inspect the kit and its component(s) to be sure all parts and tools are accounted for and not damaged. If missing parts or parts are damaged, please contact your Selling Dealer for assistance.

If your accessory was purchased online, please contact POLARIS® customer service at **1-800-POLARIS** (US & Canada only).

## APPLICATION

Verify accessory fitment at [www.polaris.com](http://www.polaris.com).

### IMPORTANT

On 2-Passenger ADV models, *Rooftop Tent Kit* is not compatible with *Rear Roof Mounted Lights Kit*, P/N 2889853; 2889730 or with *Hi Rise Intake Kit*, P/N 2890693.

On Multi-Passenger XP models, *Rooftop Tent Kit* is not compatible with *Rear Roof Mounted Lights Kit*, P/N 2889853; 2889730.

## INSTALLATION VIDEO

A video of the installation is viewable on mobile devices by scanning the QR code or by clicking [HERE](#) if viewing on a PC.



## SAFETY

### IMPORTANT SAFETY INFORMATION

**Improper use and installation can result in loss of control, serious injury, or death. Read and follow the safety information and instructions in this manual.**

#### Load the Vehicle Properly

- Do not install this Rooftop Tent Kit on non-compatible vehicles. It is exclusively designed for Polaris Xpedition®.
- Do not exceed maximum weight capacity for this vehicle; see load capacity label on cargo rack.
- When vehicle is parked, roof rack has a maximum capacity of 500 lb (226 kg). Tent weight is 146 lb (66 kg). Maximum tent occupant capacity is 354 lb (160 kg).
- When stowing the tent, do not store additional cargo inside the tent, and do not carry additional cargo on top of stowed tent.

#### Use Extra Care when Driving or Trailering with Tent Installed

- The weight of riders and cargo changes vehicle braking, handling, and stability. To avoid loss of control, turn gradually, operate at slower speeds, and avoid rougher or steeper terrain.
- Do not exceed 80 mph (128 km/h) while trailering with tent.
- Avoid overhead impacts. Rooftop tent increases overall vehicle height when stowed, which reduces total vehicle clearance.

#### Use the Tent Properly

- When selecting an area to park the vehicle and deploy the tent, make sure the surrounding area is clear of power lines, branches, and other obstacles that could contact the tent.
- Make sure vehicle is level and in PARK when tent is deployed.
- Prevent vehicle from moving by chocking wheels. A chock is a wedge or wheel stop that is designed to keep vehicle from moving forward or backward.

- DO NOT OPERATE ANY DEVICE WHICH BURNS FUEL INSIDE THIS TENT. Combustion produces carbon monoxide which can kill you in minutes. Carbon monoxide is a poison you cannot see or smell.
- Do not run vehicle engine while tent is deployed.
- Maintain adequate ventilation inside your tent at all times. Death by suffocation is possible.
- Do not leave children unattended inside the tent.

### Using the Tent Ladder

- Make sure the tent ladder is properly secured. The tent ladder should be level, as vertical as possible, and have secure footing and won't move.
- Never use tent ladder if it is not attached to this Polaris® Rooftop Tent. Dispose of tent ladder when disposing of rooftop tent. Do not use tent ladder for any other purpose.
- Pinch hazard. Do not put body parts between rungs when collapsing tent ladder.
- Always assist children using the tent ladder.

### KEEP ALL FLAME AND HEAT SOURCES AWAY FROM THIS TENT FABRIC

### REQUIRED SOLD SEPARATELY

Only parts for installation of the Rooftop Tent Kit are included. Prior installation of the following additional kits are also required (sold separately):

- *Crew Roof Platform Rack Kit, P/N 2889237*
- *Platform Rack Backbone Kit, P/N 2889451 or 2889452*

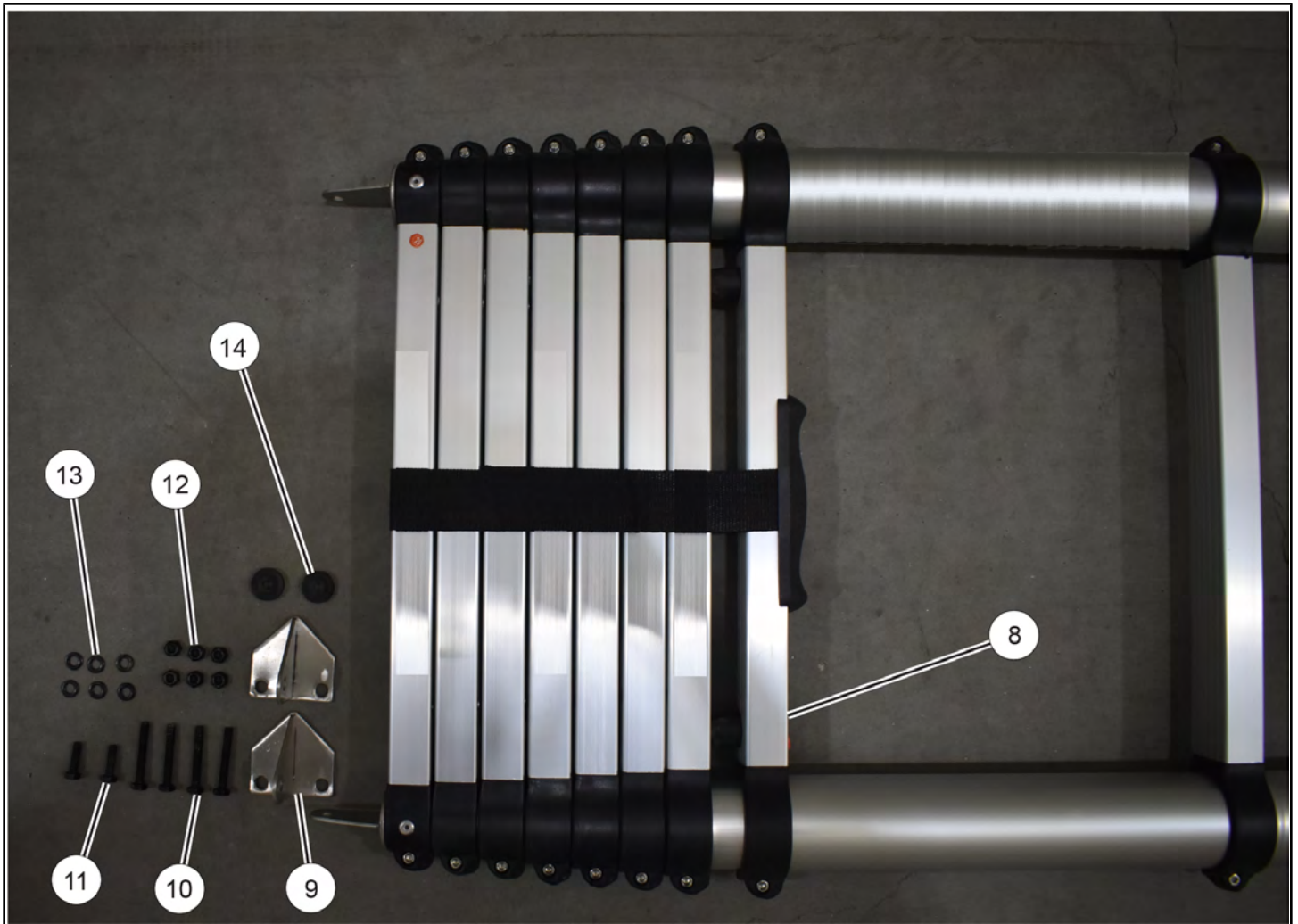
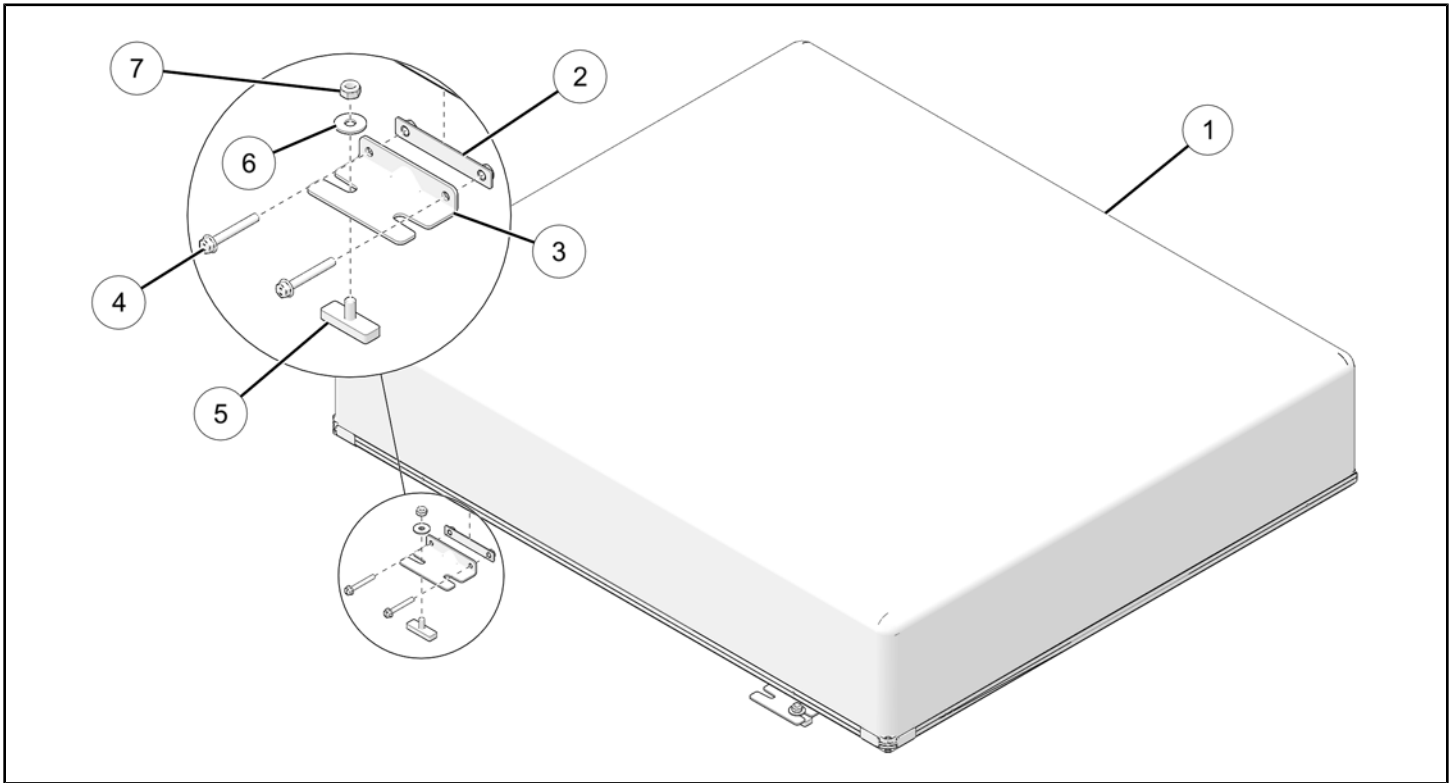
This tent is not fireproof. The fabric will burn if left in continuous contact with any flame source. The application of any foreign substance to the tent fabric may create a safety hazard. Death and/or serious burns are possible.

- NEVER place your stove, campfire, or any other flame source in or near your tent.
- NEVER use, light, or refuel a stove, lantern, heater, or other heat source inside your tent.
- NEVER store flammable liquids in a tent.
- NEVER use candles, matches, or other open flames in or near a tent.
- NEVER smoke in a tent.
- Keep exits clear.
- Build campfires downwind and at a safe distance of at least 10 ft (3 m) away from a tent.
- Extinguish campfires before leaving a campsite or going to sleep.

### Stow the Tent Properly

- NEVER move or drive the vehicle when the tent is deployed.
- Before operating or trailering vehicle, make sure tent is securely attached and properly stowed. Check again after driving for a few minutes.

# KIT CONTENTS





REF	QTY	PART DESCRIPTION	P/N AVAILABLE SEPARATELY	AVAILABLE SERVICE KIT
1	1	Tent Assembly	n/a	n/a
2	4	Weld Nut Plate	n/a	n/a
3	4	Tent Mounting Bracket	n/a	n/a
4	8	Screw, Hex Flange M8 x 1.25 x 60 mm	7521332-60	n/a
5	4	Rail Stud M10 x 1.5 x 21 mm	7528236	2211679
6	4	Flat Washer M10 x 2.5 mm	7558716	2211679
7	4	Nut, Locking M10 x 1.5 mm	7547658	2211679
8	1	Ladder Assembly	n/a	n/a
9	2	Ladder Bracket	n/a	n/a
10	4	Screw, Hex M6 x 1.0 x 40 mm	n/a	n/a
11	2	Screw, Hex M6 x 1.0 x 20 mm	n/a	n/a
12	6	Nut, Locking M6 x 1.0 mm	n/a	n/a
13	6	Flat Washer M6 x 1.0 mm	n/a	n/a
14	2	Spacer	n/a	n/a
15	1	Travel Cover	n/a	n/a
16	8	Tent Rod	n/a	n/a
17	2	Boot Bag	n/a	n/a
18	1	Cargo Net	n/a	n/a
19	1	Tent Repair Kit	n/a	n/a
20	1	Power Cord, LED Strip	n/a	n/a

REF	QTY	PART DESCRIPTION	P/N AVAILABLE SEPARATELY	AVAILABLE SERVICE KIT
21	1	Battery to 12 V Socket Adapter	n/a	n/a
22	1	Bungee Cords	n/a	n/a
23	1	Open End Wrench 10 mm	n/a	n/a
24	1	Double Ended Open End Wrench 8/10 mm	n/a	n/a

## TOOLS REQUIRED

- Safety Glasses
- Crowfoot Wrench (17 mm)
- Socket Set, Metric
- Socket Set, Torx® Bit
- Torque Wrench
- Wrench Set, Metric

## CONSUMABLES REQUIRED

- Silicone Lubricant

## INSTALLATION INSTRUCTIONS

### VEHICLE PREPARATION

#### GENERAL

1. Park vehicle on a flat surface.
2. Shift vehicle into PARK.
3. Turn key to OFF position and remove key.
4. Chock at least one front and one rear tire with a wheel chock on both front and rear side of each tire.

### ACCESSORY INSTALLATION

#### IMPORTANT

Installation is easier if the vehicle is clean and free of debris.

#### FIRST TIME SETUP

1. Remove tent assembly ① from packaging.



2. Place tent, with frame side down, on an appropriate work surface.
3. Pull up on four straps to detach hook and loop fastener. Remove straps from D-rings.



4. Lift top half of tent assembly and open tent.



5. Remove toggles from bottom of rainfly. Lift rainfly.



8. Close tent assembly ① by folding upper half over lower half.



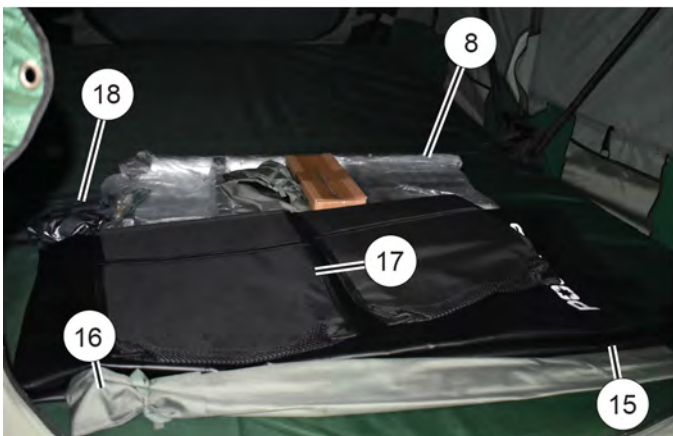
6. Unzip and open panel.



9. Unzip panel on upper half of tent assembly.



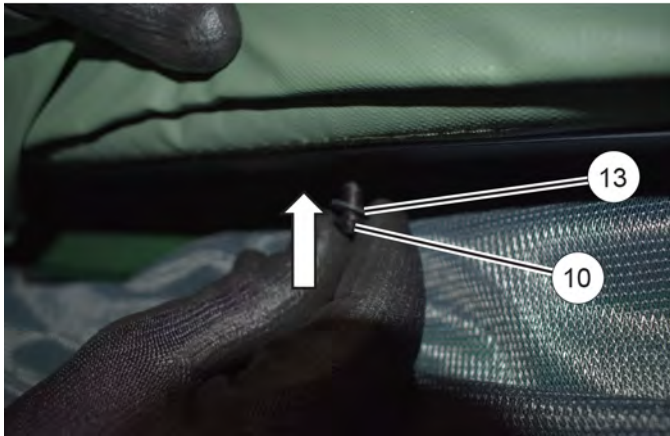
7. Remove ladder ⑧, cover ⑮, rods ⑯, boot bags ⑰, cargo net ⑱, and other hardware from tent.



10. Find two sets of ladder mounting holes on inside of tent.

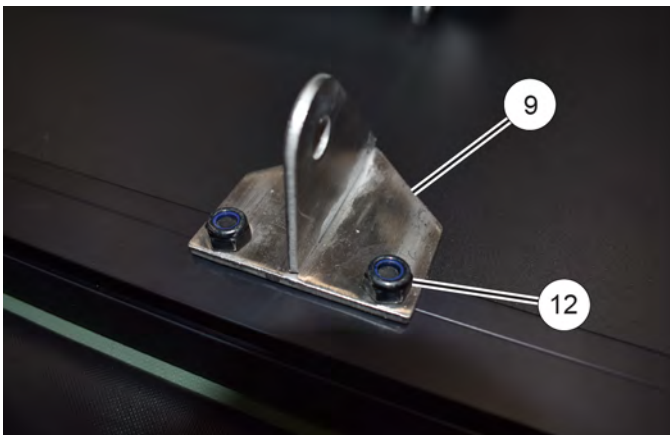


11. Install one screw ⑩ and one washer ⑬ through each ladder mounting hole.



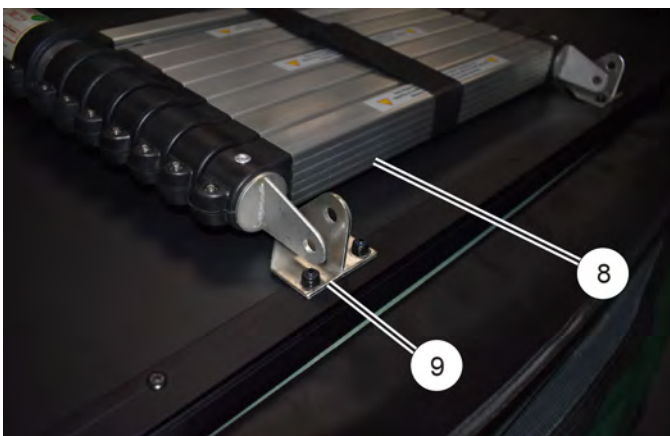
12. Install bracket ⑨ and two locking nuts ⑫.

**DO NOT** torque fasteners at this time.



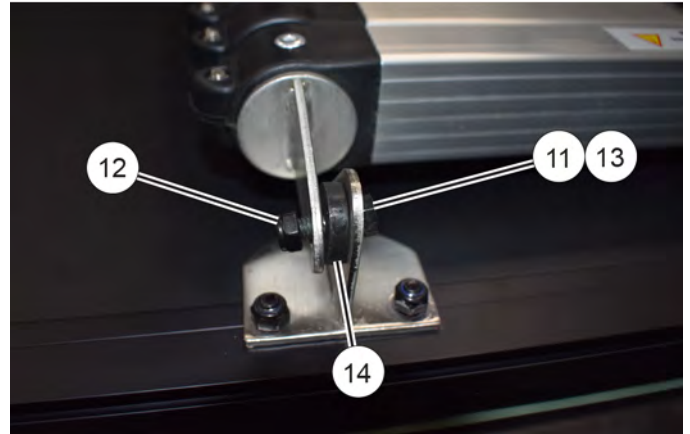
13. Align ladder ⑧ with brackets ⑨.

**NOTICE**  
Make sure that labels on ladder are facing upward.



14. Assemble ladder to each bracket with screw ⑪, locking nut ⑫, washer ⑬, and spacer ⑭. Torque nuts to specification.

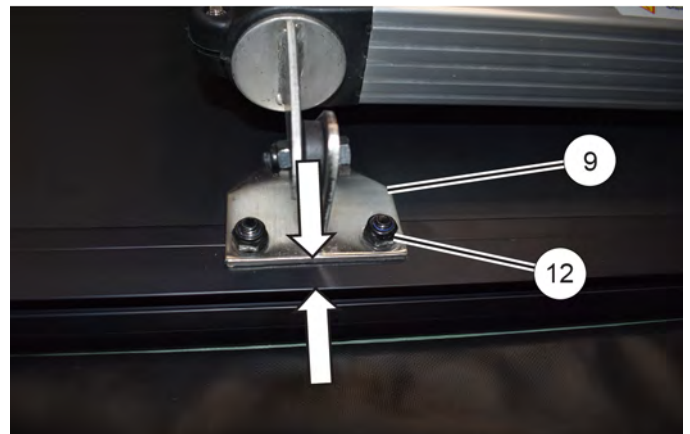
**TORQUE**  
Nuts ⑫:  
**88 in-lbs (10 N·m)**



15. Torque bracket nuts ⑫ to specification.

**NOTICE**  
Make sure edge of bracket ⑨ is parallel to edge of tent assembly before tightening nuts.

**TORQUE**  
Nuts ⑫:  
**88 in-lbs (10 N·m)**

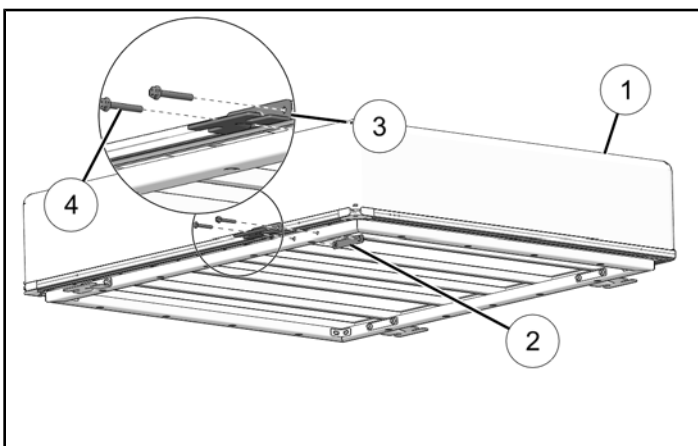


16. Install straps through D-rings. Pull straps tight and fasten with hook and loop fastener.



17. Assemble four mounting brackets ③ to tent assembly ①. Use two screws ④ and one weld nut plate ② to attach each mounting bracket.

**DO NOT torque fasteners at this time.**



18. Set tent assembly ① on top of platform rack.

**⚠ WARNING**

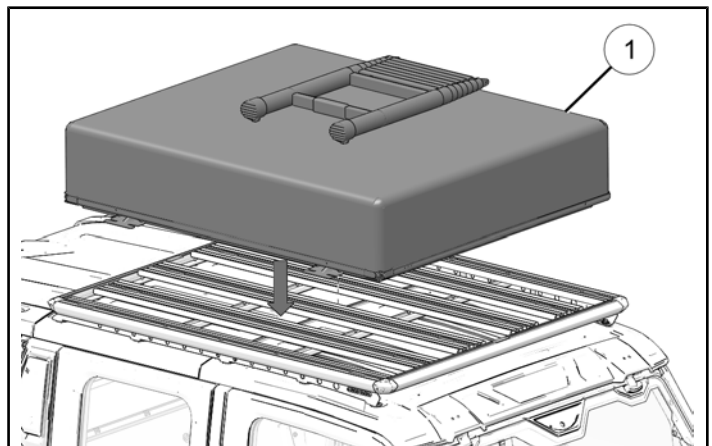
Use at least two people to help set tent assembly on vehicle. Tent assembly weighs 146 lb (66 kg). Take care to avoid pinching of hands or fingers when setting tent on roof rack.

**NOTICE**

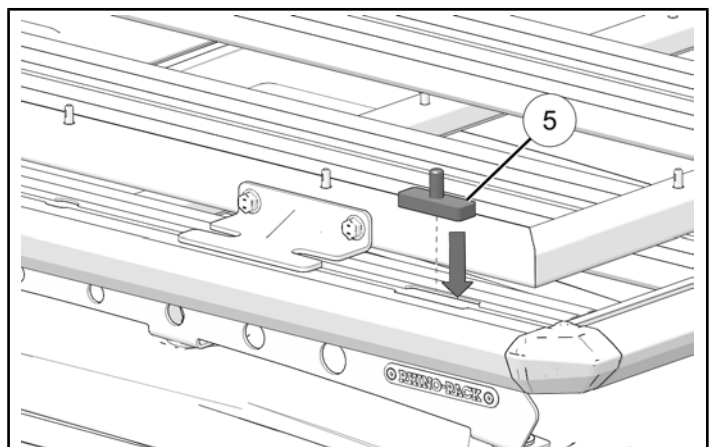
Tent can be set up to extend over driver's side or passenger side of vehicle. Make sure ladder brackets are oriented toward side away from desired extension side.

**NOTICE**

Position tent as desired between slots for rail studs. Tent mounting brackets must not overlap openings in rack slots.



19. Install one rail stud ⑤ through slot at each corner of platform rack.

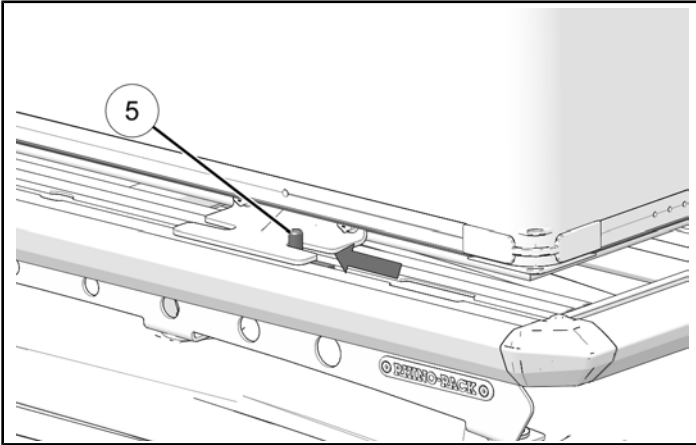




20. Slide rail stud ⑤ into slot on mounting bracket.

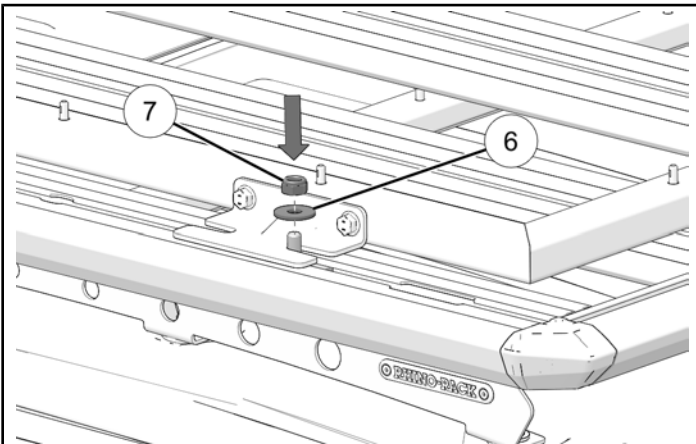
**NOTICE**

Stud should be pushed fully into slot until making contact with base of slot.



21. Install washer ⑥ and locking nut ⑦ on each rail stud. Tighten nut until bracket is held flat against platform rack.

**DO NOT torque fasteners at this time.**



22. Torque mounting bracket screws ④ to specification.

**TORQUE**

Screws ④:  
**106 in-lbs (12 N·m)**

23. Torque nuts ⑦ to specification.

**TORQUE**

Nuts ⑦:  
**30 ft-lbs (40 N·m)**

**NOTE**

Torquing these nuts will require use of crowfoot wrench. When applying final torque, crowfoot wrench will need to be at a right angle to head of torque wrench, as shown in illustration.



24. Release main straps of tent assembly. Allow straps to hang down side of vehicle.



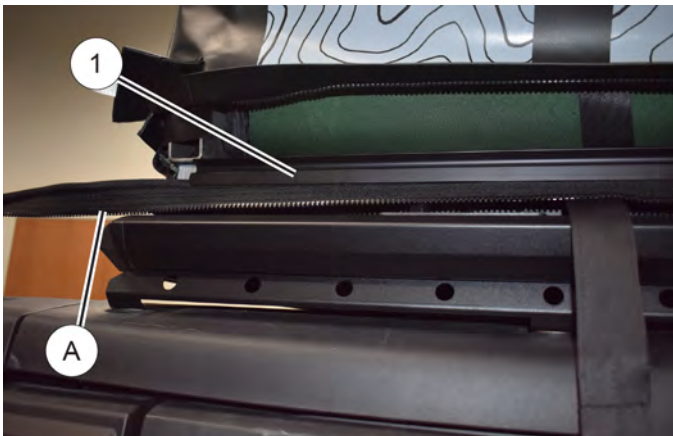
25. Unfold travel cover ⑮. Remove zipper half ① from travel cover.



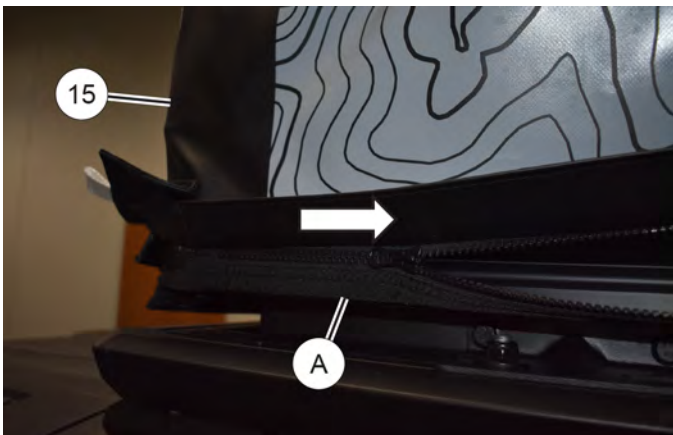
26. Install zipper half ① into groove on side of tent assembly ①. Groove will be found on side farthest from ladder mounting brackets.

**NOTICE**

Zipper should face down toward ground.



27. Connect travel cover ⑮ to zipper half ①. Pull zipper closed along entire length of side.



28. Allow travel cover to hang over side of vehicle.

29. Open ladder strap.

**⚠ WARNING**

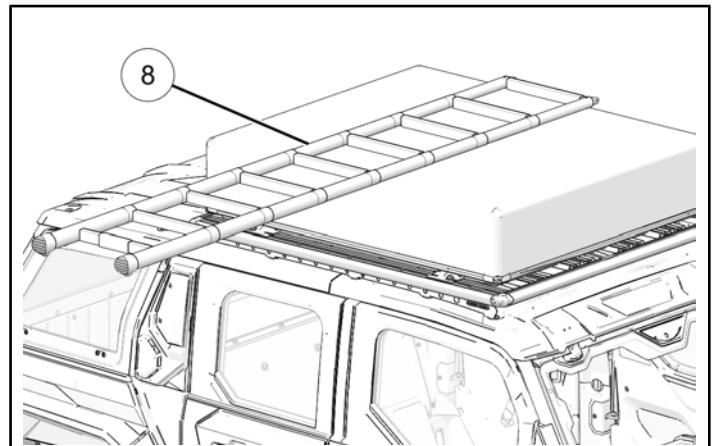
Before opening tent assembly, make sure that surrounding area is clear of power lines, branches, or other obstacles that may come into contact with tent.



30. Release side straps on tent assembly.



31. Extend ladder ⑧ to full length. Each section of ladder will lock in place with an audible click.



32. Use ladder ⑧ to tilt up upper half of tent assembly ①.



33. Use ladder ⑧ to pull upper half of tent assembly ① until base of tent is flat.



34. Each of top seven rungs on ladder has a pair of black buttons on underside of rung. Pressing both black buttons allows rung to be individually collapsed.

**⚠ WARNING**  
Take care to avoid pinching of hands or fingers when collapsing rungs or entire ladder.



35. Second rung from bottom has a pair of red buttons on underside of rung. Pressing both red buttons allows entire ladder to be collapsed.

**⚠ WARNING**  
Take care to avoid pinching of hands or fingers when collapsing rungs or entire ladder.



36. Collapse top rungs of ladder until ladder is approximately vertical.

**⚠ WARNING**

Make sure that when ladder is positioned, base of tent is level with top of roof rack. Make sure that legs of ladder are on secure ground and cannot slide or move. Failure to support ladder properly may result in falling or tent damage.



37. Roll up cover and use two straps under tent to hold cover.

**⚠ WARNING**

After tent is deployed, do not drive or move vehicle.

**NOTICE**

If loop strap cannot be found, lift tent hinge. Strap can become trapped in hinge.



38. Remove tent rods ⑩ from bag.



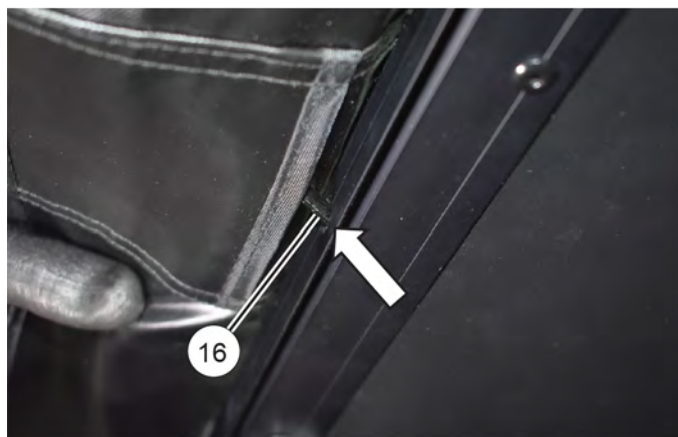
39. Remove toggles from corners of rain fly.



40. Install tent rods ⑩. Pass straight end of tent rod through slot in skirt at base of tent.



41. Install straight end of tent rod ⑩ into hole in tent frame.



44. Unzip flap above ladder. Roll up flap and hold flap with toggles at top of tent opening.



42. Install hook end of rods into grommets in rain fly.



45. Attach LED power cord ⑳ to LED strip in tent.



43. Tighten straps at corners of rain fly.



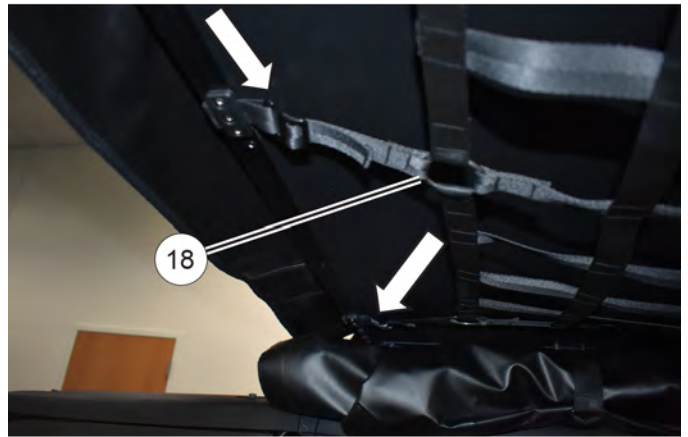
46. Route remaining end of power cord ⑳ through slot at base of tent.



47. Close flap over power cord slot.



48. Install five hooks on cargo net ⑱ to loops on bottom of tent base.



49. Install top edge of boot bag ⑰ into slot at the edge of tent base. Slide boot bag into slot until top of boot bag is fully engaged.

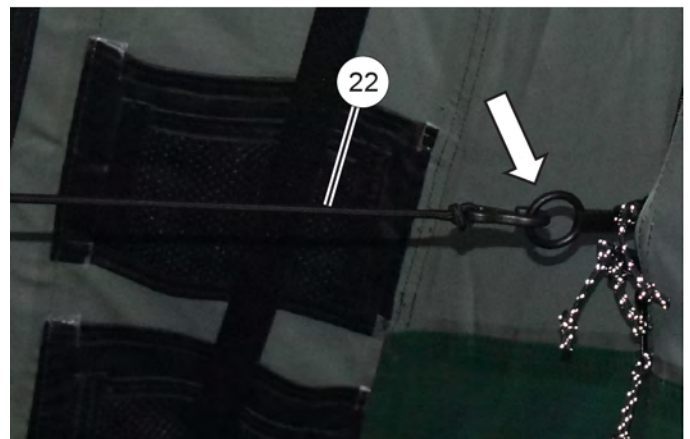


## STOWING TENT

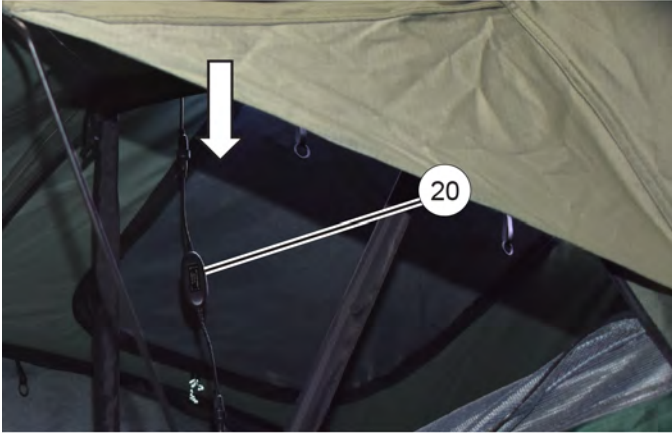
1. Install four bungee cords ⑳ inside tent. Attach loops on one side of tent to corresponding loops on opposite side of tent.

### NOTICE

After first-time setup, bungee cords should be removed while tent is in use. Re-install bungee cords before stowing tent.



2. Disconnect LED power cord ⑳ from LED strip in tent. Store LED power cord inside tent.



5. Store tent rods inside zippered pouch inside tent entrance.



3. Remove boot bags ⑰ from tent base edge. Store boot bags inside tent.



6. Use toggles to attach corners of rain fly to tent.



4. Remove tent rods ⑯ from rain fly and tent base. Place tent rods into storage bag.



7. Remove straps from travel cover. Allow travel cover to hang over side of vehicle.

8. Extend ladder to full length.





9. Use ladder to push tent base up until it folds over the vehicle.



10. After tent is folded over, fully collapse ladder.



11. Attach and tighten ladder strap.



12. Tuck in any fabric sticking out from front, rear, or side of tent assembly. Attach and tighten straps on front side and rear side of vehicle.



13. Cover tent assembly with travel cover. Pull sides of cover down over sides of tent assembly.



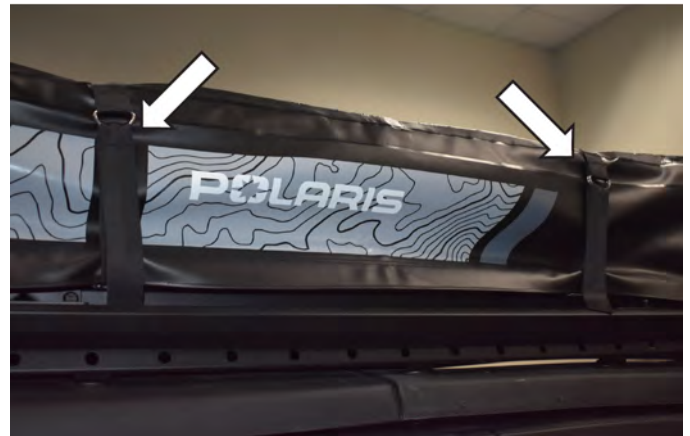
14. Zip travel cover on remaining three sides.

**NOTICE**

If ladder brackets are oriented toward left side of vehicle, zipper will start at right front corner of tent. If ladder brackets are oriented toward the right side of the vehicle, zipper will start at left rear corner of tent.



15. Attach and tighten straps.



**⚠ WARNING**

Do not carry any additional cargo on top of tent assembly.

## OPERATION

### LED LIGHT STRIP

LED strip power cord ⑳ can be plugged in at two locations. The first location is 12 V socket in center console of vehicle.



Obtaining power from this location will require the vehicle ignition switch to be in ON position.

The second location is at front power point near grille of vehicle. Plug adapter into power point.



Then plug power cord ⑳ into adapter.



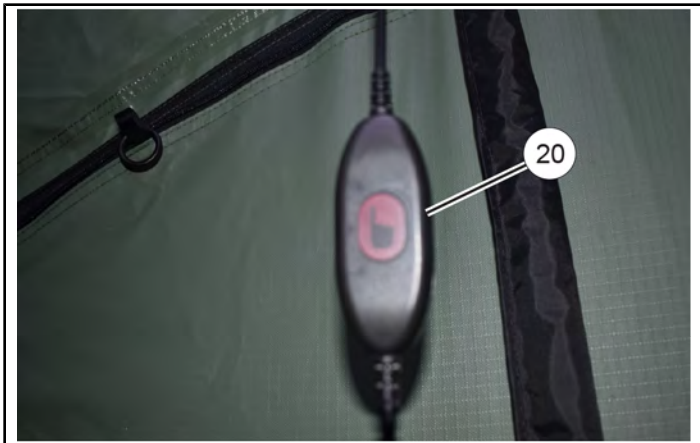
Use of this location to obtain power does not require ignition switch to be ON.

**NOTICE**

Excessive use of LED light strip may lead to battery discharge.

Switch for LED strip is part of LED light strip power cord ⑳. Tapping or pressing the red oval on switch controls LED light strip.

- Tap red oval briefly to turn light on.
- Tap red oval briefly to turn light off. Light will turn off after a short delay.
- Hold finger on red oval to dim or brighten LED light.



## MAINTENANCE

- Clean tent and travel cover with mild soap and water, as needed.
- Use small brush to clean zipper as needed.
- Periodically apply silicone lubricant to zippers for smooth operation.