

PLOW EXTENSION KIT



P/N 2890650

MISSING OR DAMAGED PARTS

Before beginning assembly, inspect the kit and its component(s) to be sure all parts and tools are accounted for and not damaged. If missing parts or parts are damaged, please contact your Selling Dealer for assistance.

If your accessory was purchased online, please contact POLARIS® customer service at **1-800-POLARIS** (US & Canada only).

APPLICATION

Verify accessory fitment at www.polaris.com.

IMPORTANT

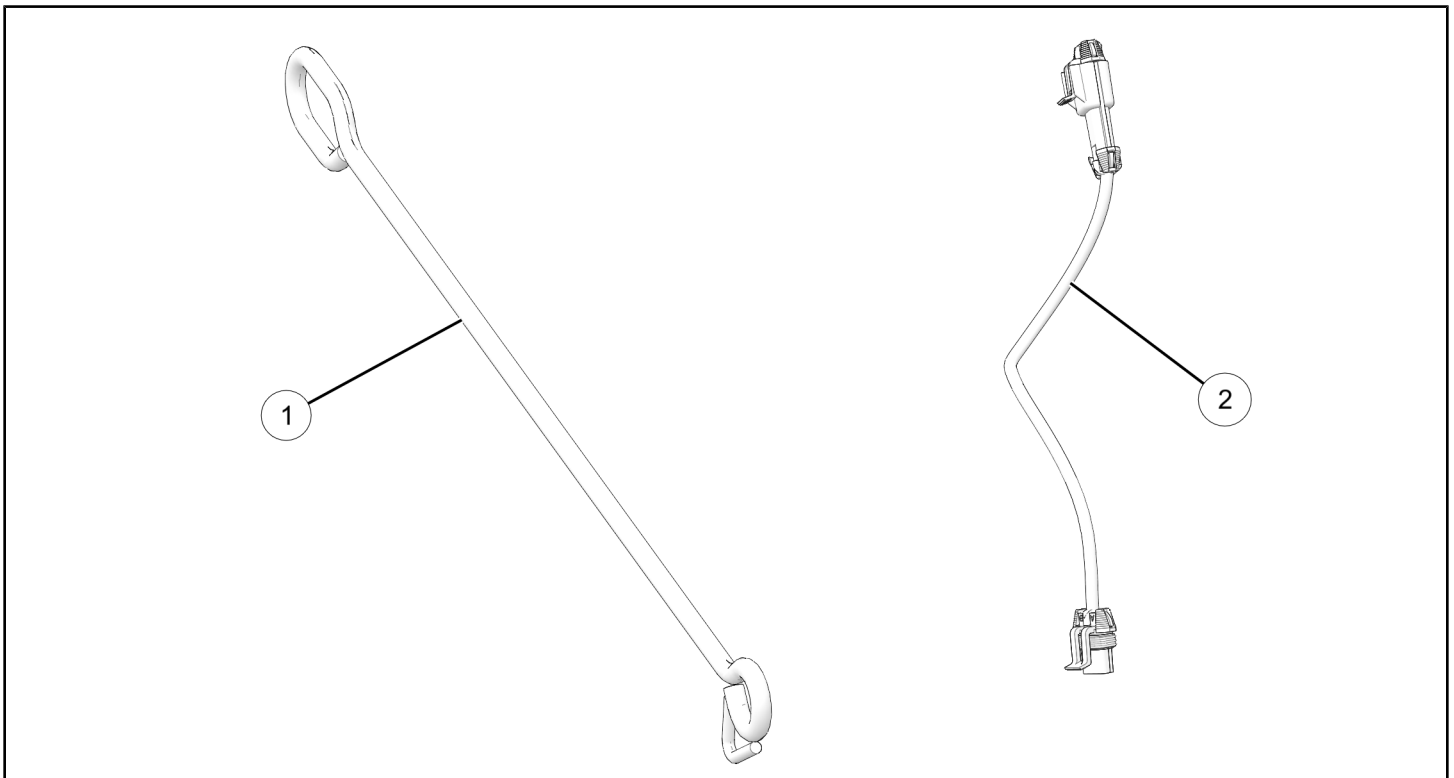
Plow Extension Kit, P/N 2890650 is only used on vehicles equipped with Glacier® Pro HD Plow System and a track system.

REQUIRED SOLD SEPARATELY

Only parts for installation of the Plow Extension Kit are included. Prior installation of the following additional kits are also required (sold separately):

- *Snowplow Bumper Mount Kit, P/N 2889578*
- *Glacier® Pro HD Plow Frame Kit, P/N 2889579*
- *Glacier® Pro HD Track Extension Kit, P/N 2879871*

KIT CONTENTS



REF	QTY	PART DESCRIPTION	P/N AVAILABLE SEPARATELY
1	1	Winch Link, Extension	2211756
2	1	Plow Extension Harness	n/a

HARNES DETAIL

PLOW EXTENSION HARNES ②



REF	PART DESCRIPTION	CONNECTS TO
2F	Tilt Actuator Connector	Tilt Actuator
2M	Angle Control Harness Connector	Plow Angle Control Harness

Example: 16F = 16 pin, Female / 16M = 16 pin, Male (Male terminal fits inside female terminal)

TOOLS REQUIRED

- Safety Glasses
- Pliers, Side Cutting

IMPORTANT

Your Plow Extension Kit is exclusively designed for your vehicle. Please read the installation instructions thoroughly before beginning. Installation is easier if the vehicle is clean and free of debris. For your safety, and to ensure a satisfactory installation, perform all installation steps correctly in the sequence shown.

INSTALLATION INSTRUCTIONS

VEHICLE PREPARATION

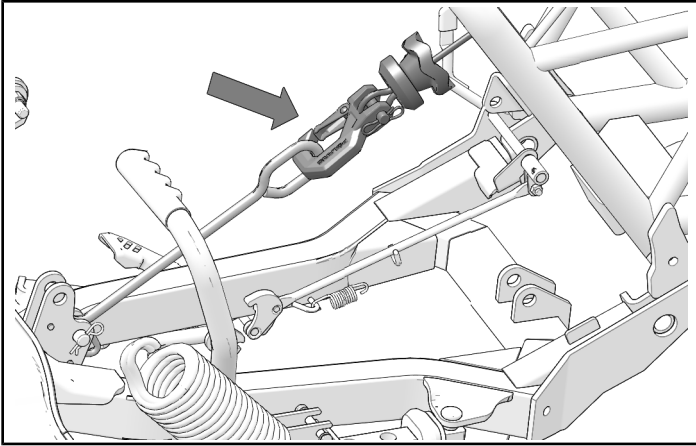
GENERAL

1. Park vehicle on a flat surface.
2. Shift vehicle into PARK.
3. Turn key to OFF position and remove key.

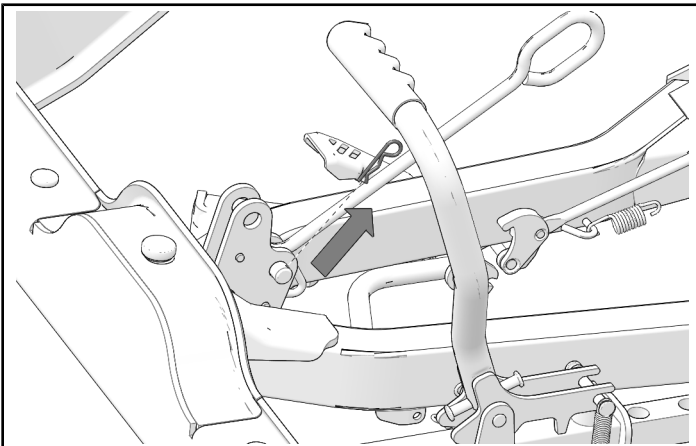
ACCESSORY INSTALLATION

EXTENSION WINCH LINK INSTALLATION

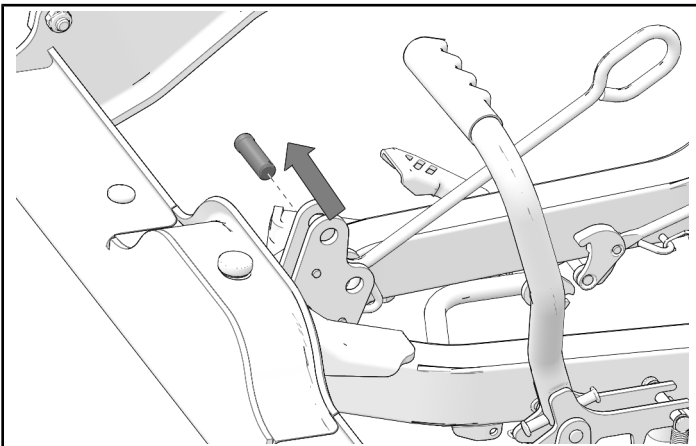
1. Remove winch hook from winch link.



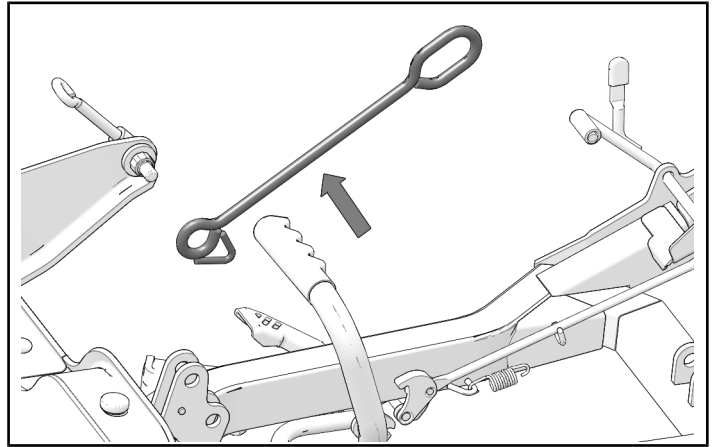
2. Remove and keep cotter pin from winch link pin.



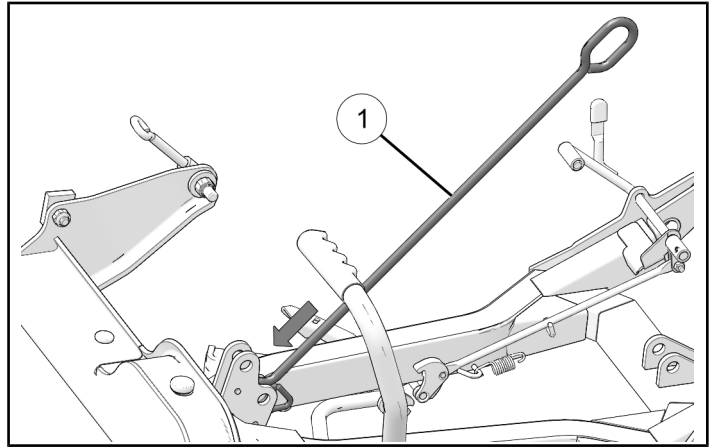
3. Remove and keep winch link pin.



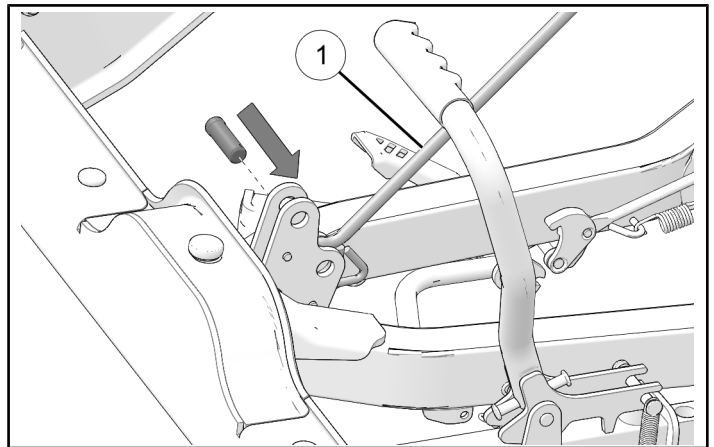
4. Remove winch link.



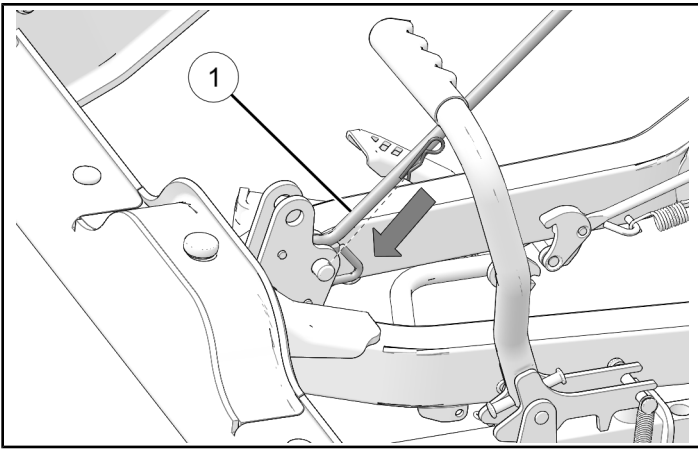
5. Install extension winch link ①.



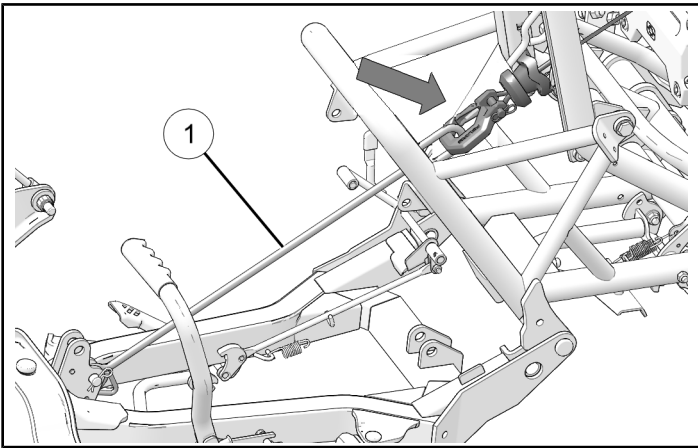
6. Install winch link pin.



7. Install cotter pin into winch link pin.

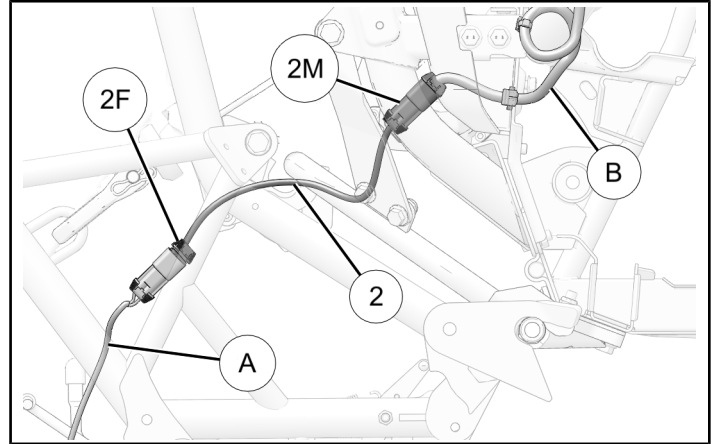


8. Connect winch hook to extension link ①.



EXTENSION HARNESS INSTALLATION

1. If plow system includes hydraulic angle tilt cylinder, disconnect tilt actuator harness **A** from tilt control harness **B**.
2. Install extension harness **2** between harness **A** and harness **B**. Install connector **2F** into harness **A**. Install connector **2M** into harness **B**.



3. Test function of hydraulic angle tilt cylinder.