

P/N 2890444

MISSING OR DAMAGED PARTS

Before beginning assembly, inspect the kit and its component(s) to be sure all parts and tools are accounted for and not damaged. If missing parts or parts are damaged, please contact your Selling Dealer for assistance.

If your accessory was purchased online, please contact POLARIS® customer service at **1-800-POLARIS** (US & Canada only).

APPLICATION

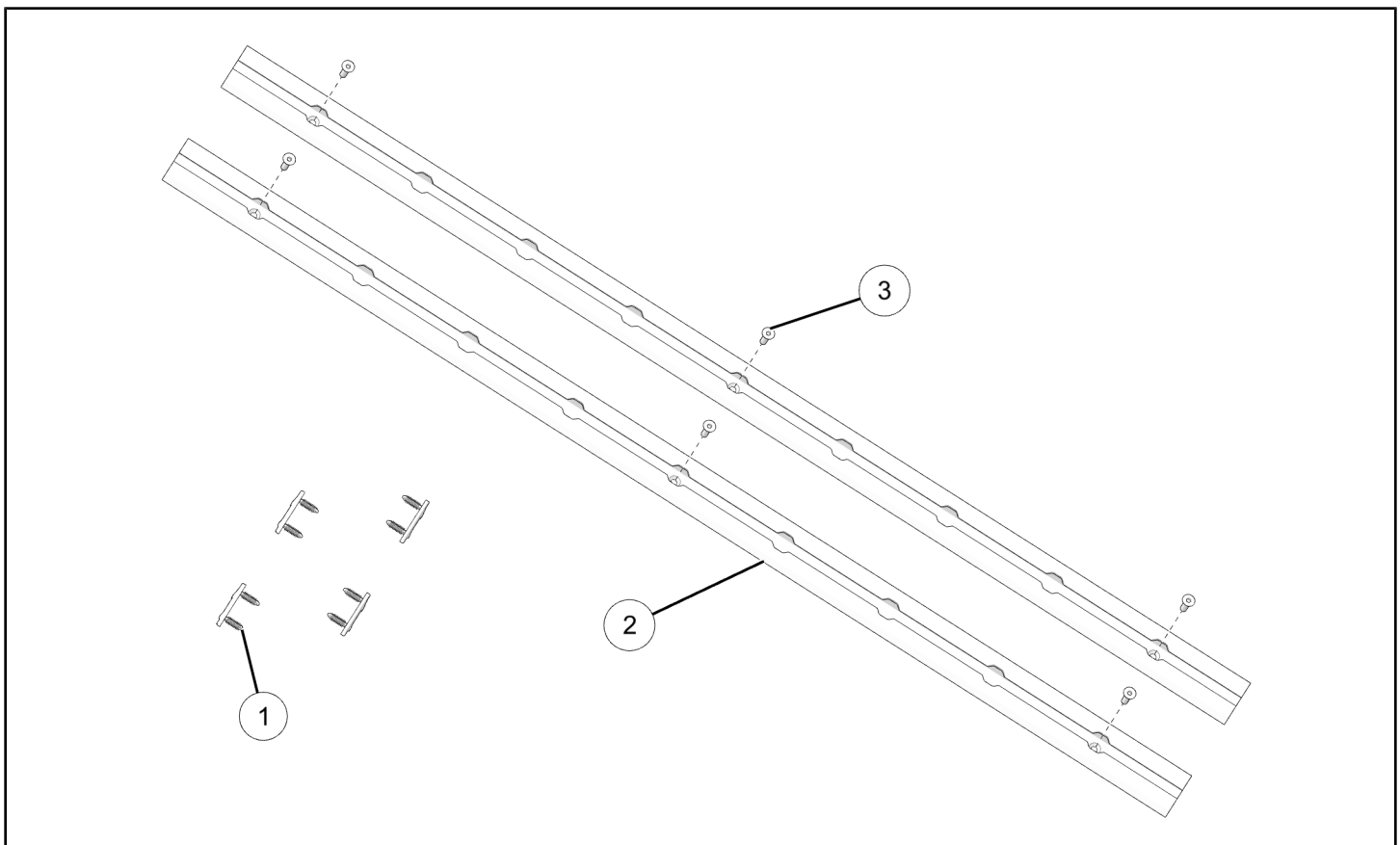
Verify accessory fitment at www.polaris.com.

REQUIRED SOLD SEPARATELY

Only parts for installation of the Rail Kit are included. Prior installation of one of the following additional kits are also required (sold separately):

- *Bed Rack Kit*, P/N 2889847
- *Headache Rack Kit*, P/N2889666

KIT CONTENTS



REF	QTY	PART DESCRIPTION	P/N AVAILABLE SEPARATELY
1	4	Rail Cap	546253
2	2	Rail	n/a
3	6	Screw, Flathead M6 x 1 x 20 mm	7521054

TOOLS REQUIRED

- Safety Glasses
- Socket Set, Hex Bit, Metric
- Torque Wrench

IMPORTANT

Your Rail Kit is exclusively designed for your vehicle. Please read the installation instructions thoroughly before beginning. Installation is easier if the vehicle is clean and free of debris. For your safety, and to ensure a satisfactory installation, perform all installation steps correctly in the sequence shown.

INSTALLATION INSTRUCTIONS

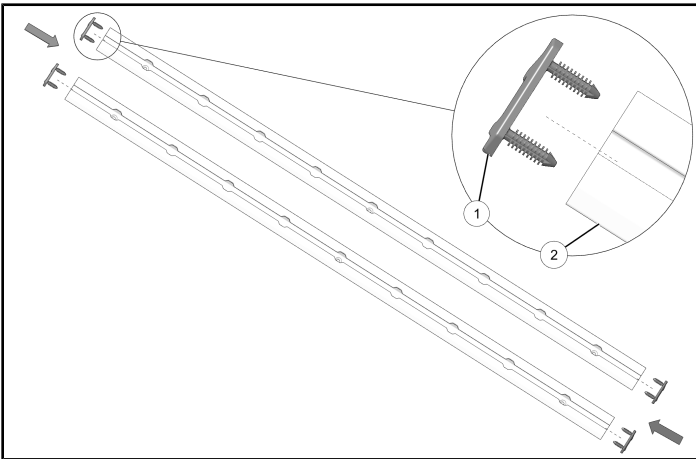
VEHICLE PREPARATION

GENERAL

1. Park vehicle on a flat surface.
2. Shift vehicle into PARK.
3. Turn key to OFF position and remove key.

ACCESSORY INSTALLATION

1. Push rail caps ① into ends of rail ②.



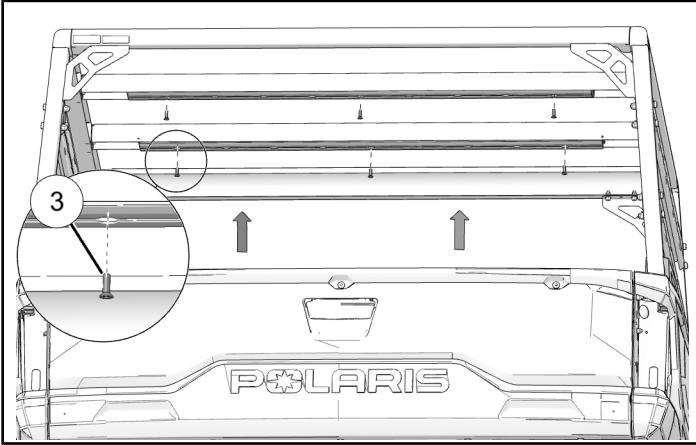
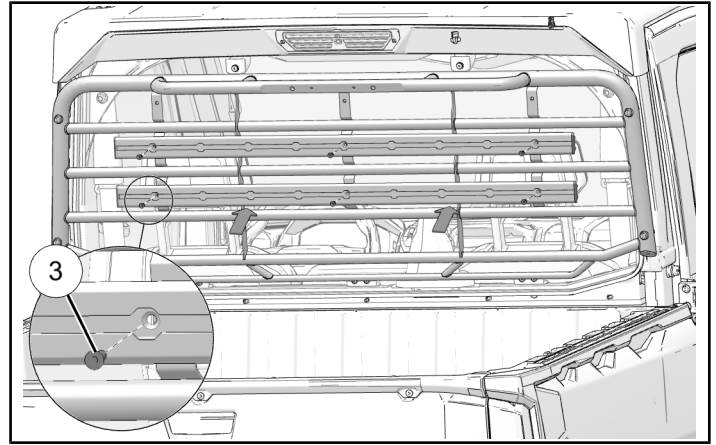
2. Align screw holes on rail with holes in rack in desired location. Attach using six screws ③.

TORQUE

Screw ③:
4.5 in-lbs (12 N·m)

NOTICE

Installed on bed rack kit P/N 2889847



NOTICE

Installed on headache rack kit P/N 2889666