

SUN VISOR KIT



P/N 2890571

MISSING OR DAMAGED PARTS

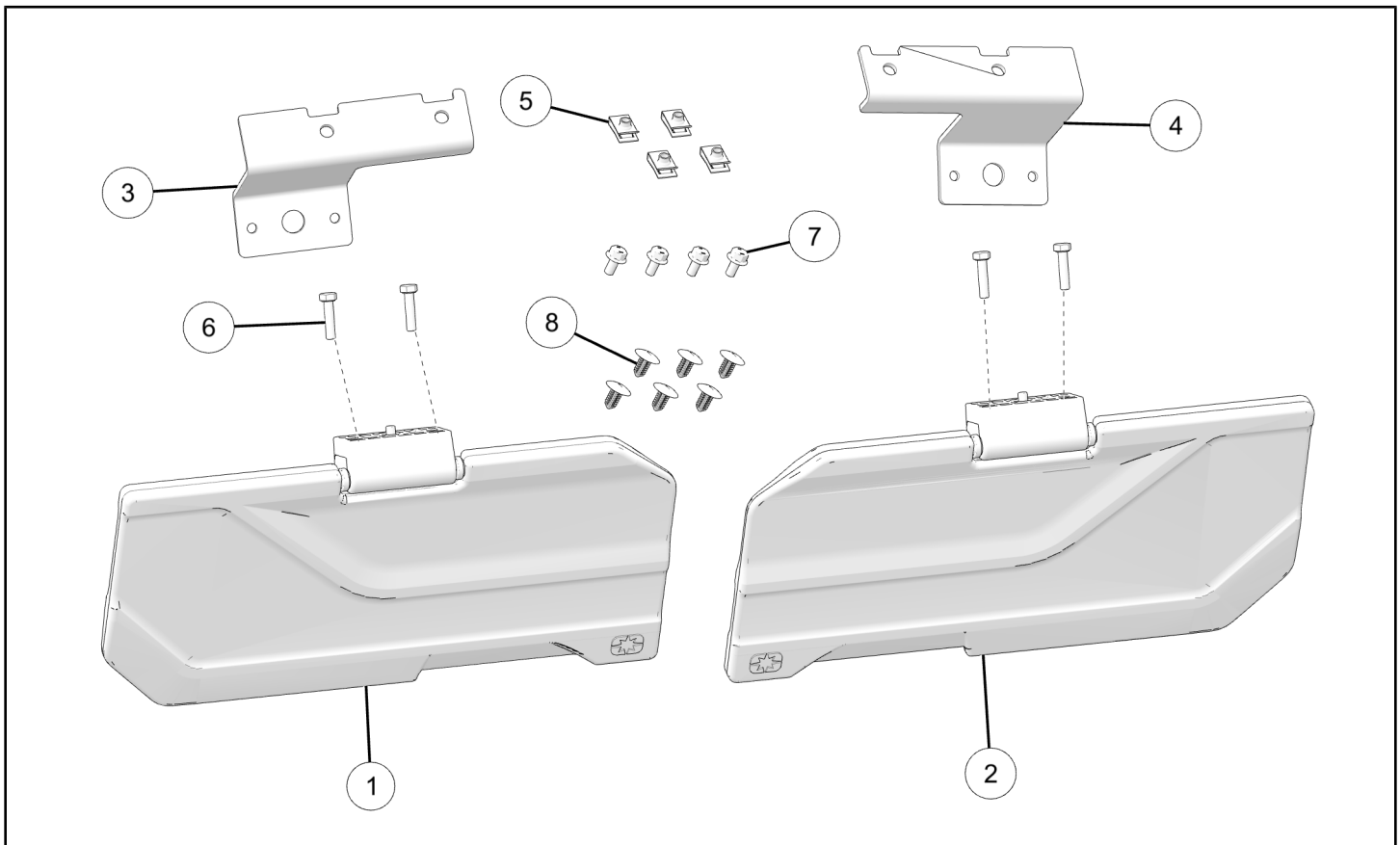
Before beginning assembly, inspect the kit and its component(s) to be sure all parts and tools are accounted for and not damaged. If missing parts or parts are damaged, please contact your Selling Dealer for assistance.

If your accessory was purchased online, please contact POLARIS® customer service at **1-800-POLARIS** (US & Canada only).

APPLICATION

Verify accessory fitment at www.polaris.com.

KIT CONTENTS



REF	QTY	PART DESCRIPTION	P/N AVAILABLE SEPARATELY
1	1	Assembly, Visor Panel, Left	2639418
2	1	Assembly, Visor Panel, Right	2639419
3	1	Visor Mounting Bracket, Left	5274953-458
4	1	Visor Mounting Bracket, Right	5274954-458
5	4	Clip, U-Nut	7081305
6	4	Screw, Hex Head, M6 x 1.0 x 25 mm	7517510

REF	QTY	PART DESCRIPTION	P/N AVAILABLE SEPARATELY
7	4	Screw, Hex Flange Head, M6 x 1.0 x 16 mm	7521331-16
8	6	Clip, Push Dart	7670088

TOOLS REQUIRED

- Safety Glasses
- Cutting Tool
- Pliers, Push Pin Rivet
- Screwdriver Set, Torx®
- Socket Set, Metric
- Torque Wrench

IMPORTANT

Your Sun Visor Kit is exclusively designed for your vehicle. Please read the installation instructions thoroughly before beginning. Installation is easier if the vehicle is clean and free of debris. For your safety, and to ensure a satisfactory installation, perform all installation steps correctly in the sequence shown.

INSTALLATION INSTRUCTIONS

VEHICLE PREPARATION

GENERAL

1. Park vehicle on a flat surface.
2. Shift vehicle into PARK.
3. Turn key to OFF position and remove key.

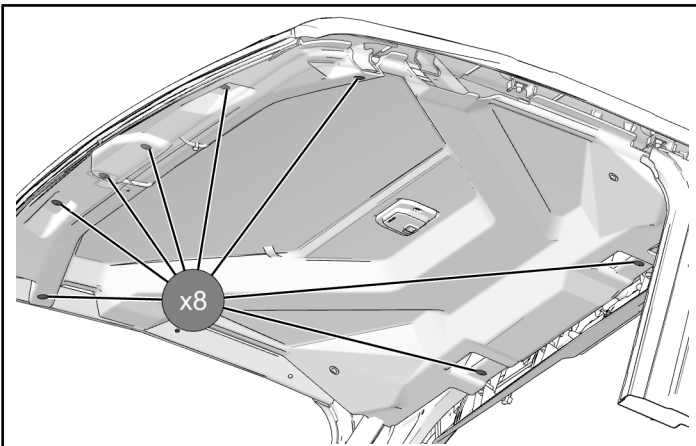
ACCESSORY INSTALLATION

ROOF LINER REMOVAL

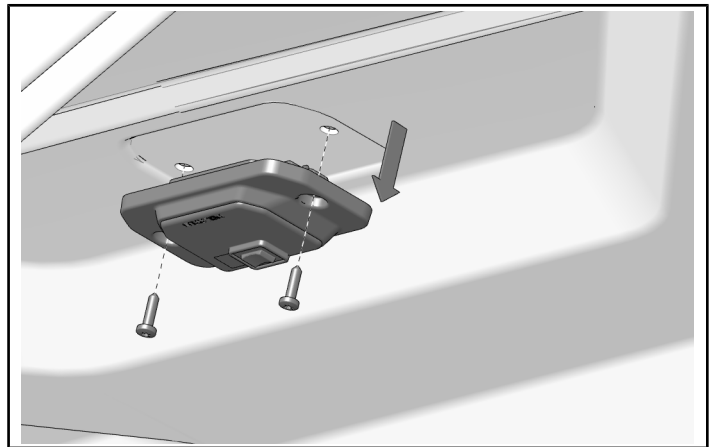
NOTICE

Some parts of vehicle hidden for clarity.

1. Remove and retain eight push darts from roof liner. Six from the front and two from the rear.



2. Remove two screws from middle of roof liner. If equipped, remove dome light and disconnect any wiring.



3. Pull front of roof liner down to remove.

SUN VISOR INSTALLATION

NOTICE

Some parts of vehicle hidden for clarity.

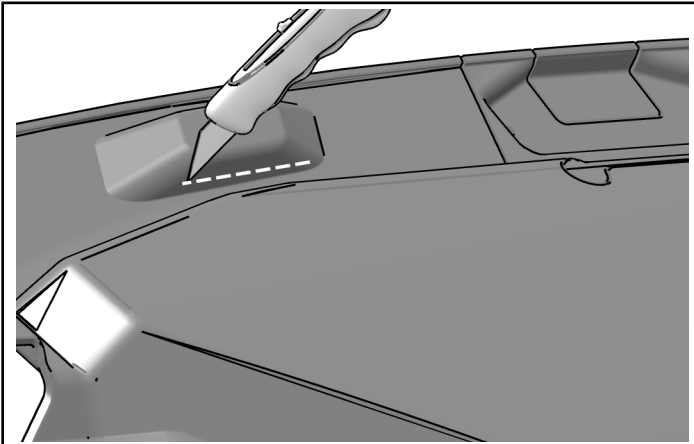
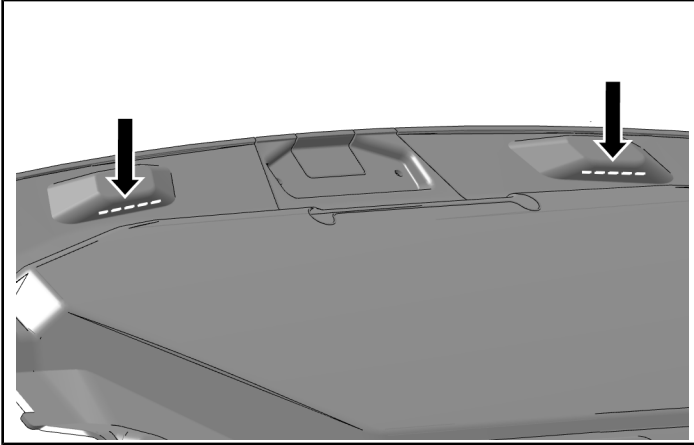
1. Cut three inch slit for sun visor brackets at locations shown on roof liner.

MEASUREMENT

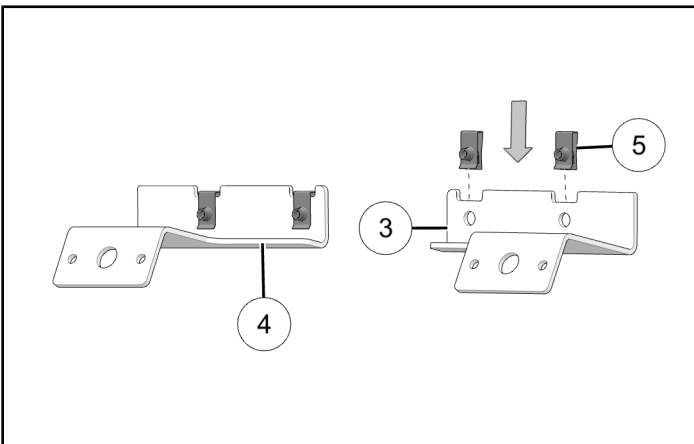
Measurement:
3 in (76 mm)

NOTICE

Modify cut as needed.



2. Install two U-nut clips ⑤ on left visor mounting bracket ③ and right visor mounting bracket ④.



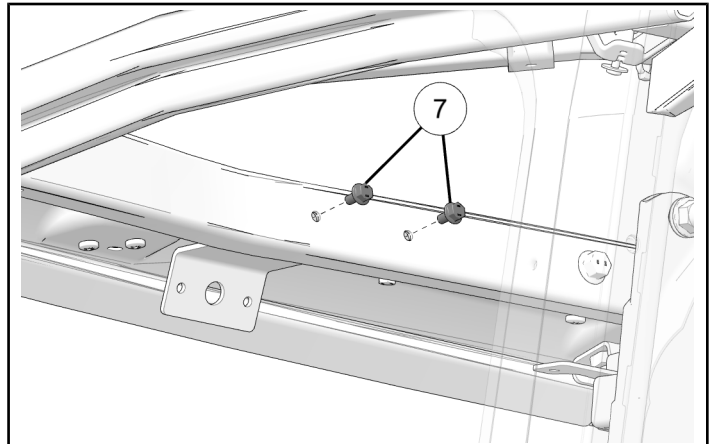
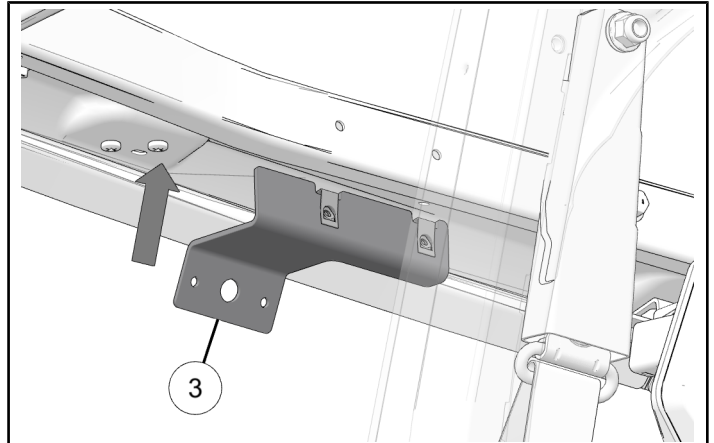
3. Install visor mounting brackets on ROPS front visor bracket using two screws ⑦. Torque screws to specification.

NOTICE

Left side shown; right side similar.

TORQUE

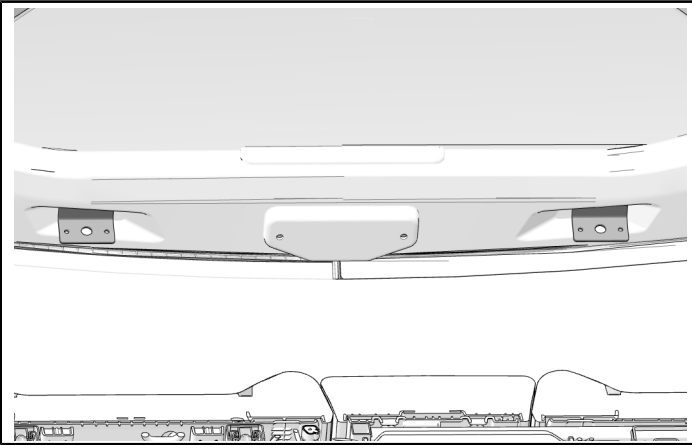
Screws ⑦:
11 ft-lbs (15 N·m)



- Put visor mounting brackets through trimmed openings in roof liner.

NOTICE

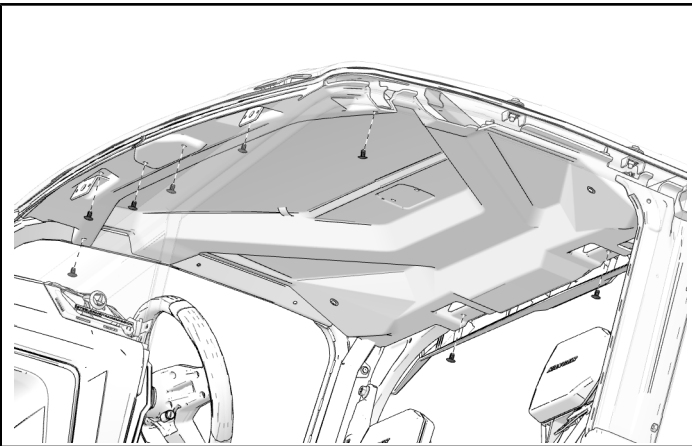
Modify cut as needed.



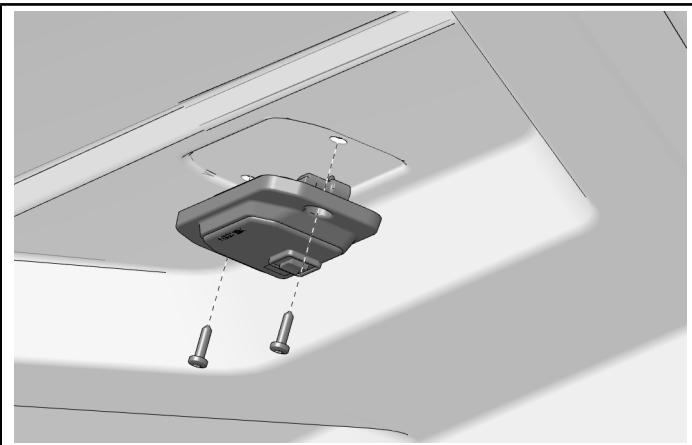
- Install roof liner using kept push darts.

NOTICE

Replace, as needed, with push darts ⑧..



- Install kept screws into middle of roof liner. If equipped, install dome light using two retained screws and connect any wiring.



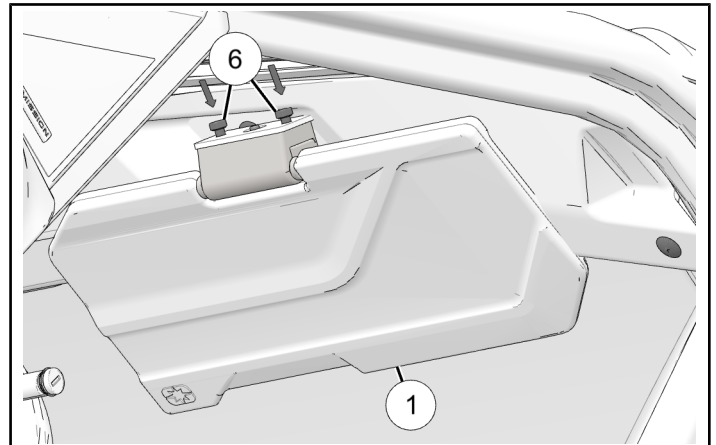
- Attach left visor panel assembly ① to visor mounting brackets using two screws ⑥. Torque screws to specification.

NOTICE

Left side shown; right side similar.

TORQUE

Screws ⑥:
106.2 in-lbs (12 N·m)



- Check fitment of visor panels by opening and closing along hinge. Adjust pressure screw ① as necessary.

