

# HORN KIT



P/N 2890589

## MISSING OR DAMAGED PARTS

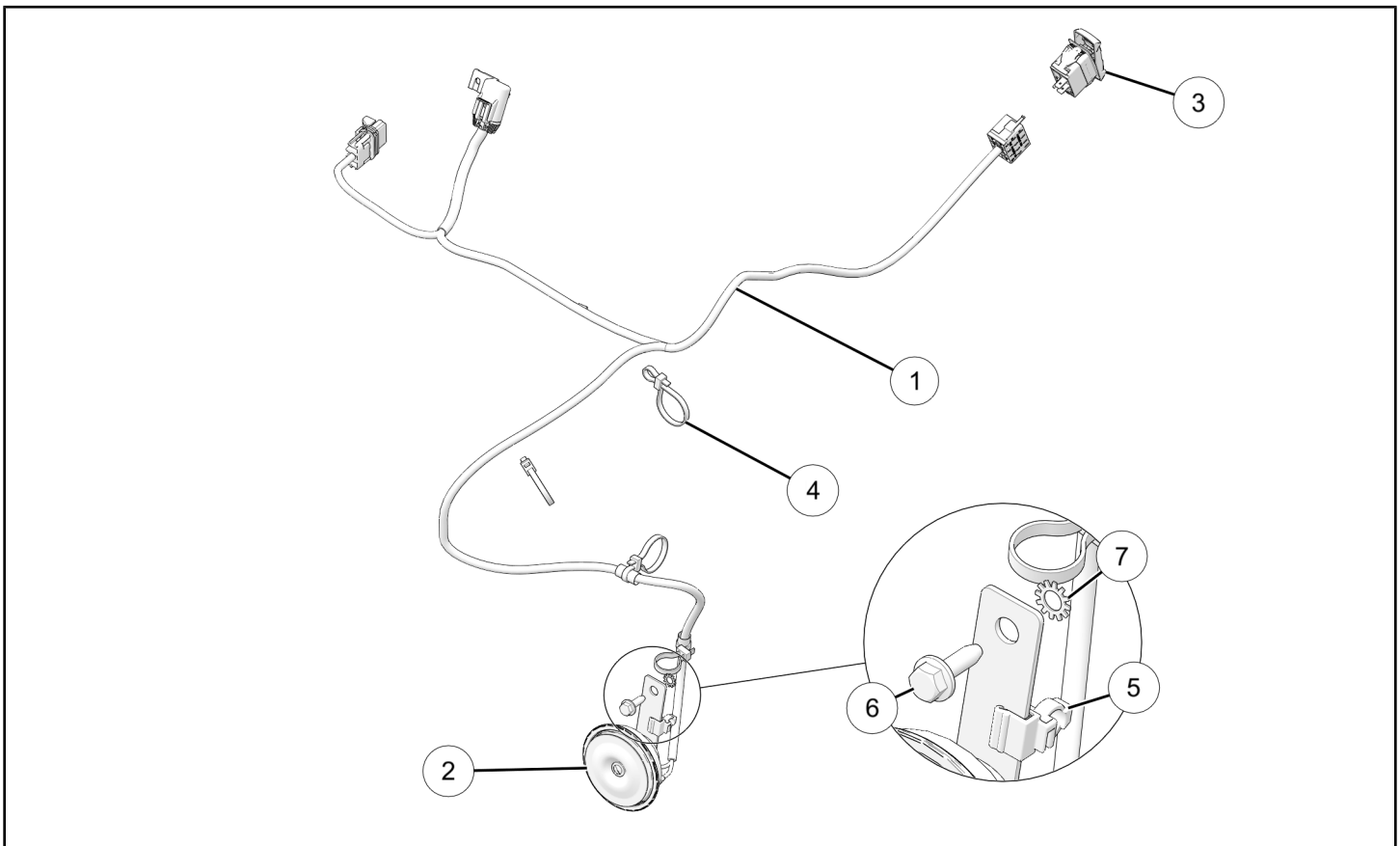
Before beginning assembly, inspect the kit and its component(s) to be sure all parts and tools are accounted for and not damaged. If missing parts or parts are damaged, please contact your Selling Dealer for assistance.

If your accessory was purchased online, please contact POLARIS® customer service at **1-800-POLARIS** (US & Canada only).

## APPLICATION

Verify accessory fitment at [www.polaris.com](http://www.polaris.com).

## KIT CONTENTS

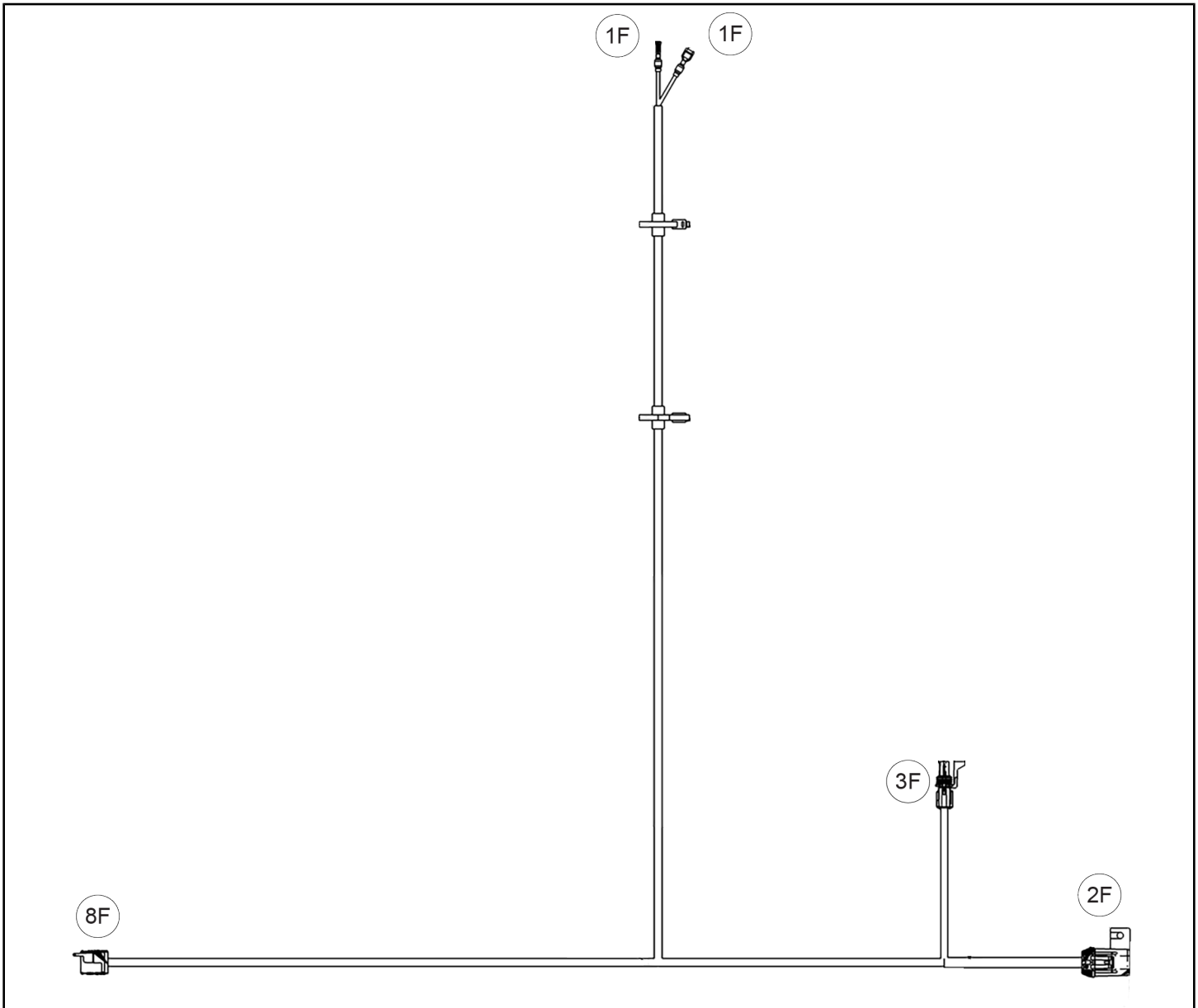


REF	QTY	PART DESCRIPTION	P/N AVAILABLE SEPARATELY
1	1	Horn Harness	2417344
2	1	Horn Disc	4011579
3	1	Horn Switch	4081809
4	2	Cable Tie	7081033
5	1	Clip Edge	7082402

REF	QTY	PART DESCRIPTION	P/N AVAILABLE SEPARATELY
6	1	Screw, Hex, Flange, Self Threading, M6 x 1.0 x 20 mm	7518529
7	1	Washer	7552604

## HARNESS DETAIL

### HORN HARNESS ①



REF	PART DESCRIPTION	CONNECTS TO
8F	Connector	Horn Switch ③
1F	Spade (+) Connector	Horn Disc ②
1F	Spade (-) Connector	Horn Disc ②
3F	Connector	Polaris Pulse® Bar
2F	Fuse Holder	Hood 5

Example: 16F = 16 pin, Female / 16M = 16 pin, Male (Male terminal fits inside female terminal)

## TOOLS REQUIRED

- Safety Glasses
- Drill Bit:
  - 1/4 in (6 mm)
- Pliers, Push Pin Rivet
- Screwdriver Set, Torx®
- Utility Knife

## IMPORTANT

Your Horn Kit is exclusively designed for your vehicle. Please read the installation instructions thoroughly before beginning. Installation is easier if the vehicle is clean and free of debris. For your safety, and to ensure a satisfactory installation, perform all installation steps correctly in the sequence shown.

## INSTALLATION INSTRUCTIONS

### VEHICLE PREPARATION

#### GENERAL

1. Park vehicle on a flat surface.
2. Shift vehicle into PARK.
3. Turn key to OFF position and remove key.

#### BATTERY DISCONNECTION

##### SEAT REMOVAL

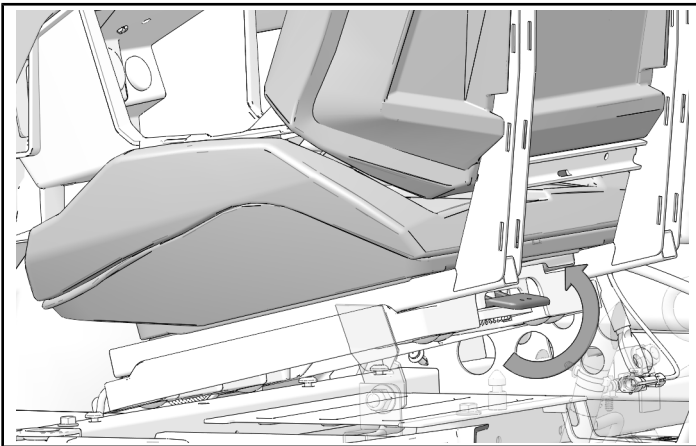
###### NOTICE

For 4-passenger models, it is left rear passenger seat.

###### NOTICE

For 2-passenger models, it is the driver seat.

1. Lift up driver seat latch lever on bottom backside of driver seat.



2. Lift up and forward on seat while lifting up on latch lever to remove from vehicle.

#### BATTERY DISCONNECTION

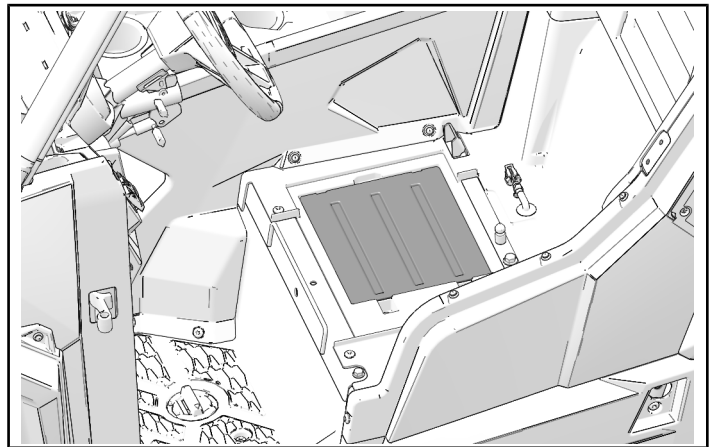
##### ⚠ WARNING

Make sure red positive (+) battery terminal is **COMPLETELY COVERED** by protective boot. Accidental tool contact across both battery terminals will result in high current electrical arc, and may result in battery explosion. Death or serious injury may occur.

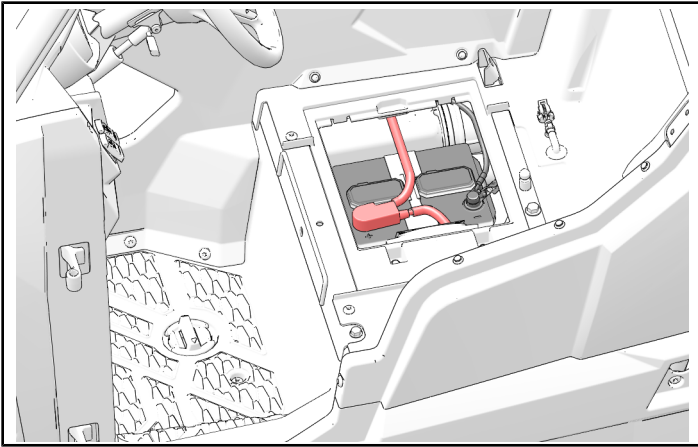
##### ⚠ WARNING

Black negative (-) cable **MUST** be disconnected from battery terminal. Failure to disconnect cable may result in electrical arc when installing connections at terminal block. Death or serious injury, or damage to vehicle or accessory, may occur.

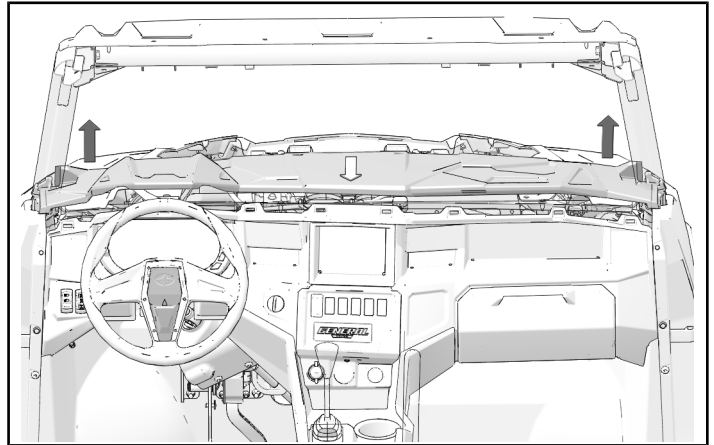
1. Remove battery access cover.



2. Disconnect black negative (-) cable from battery.

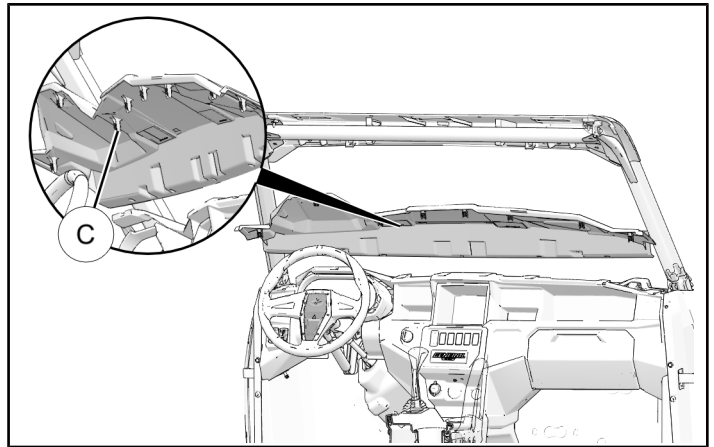
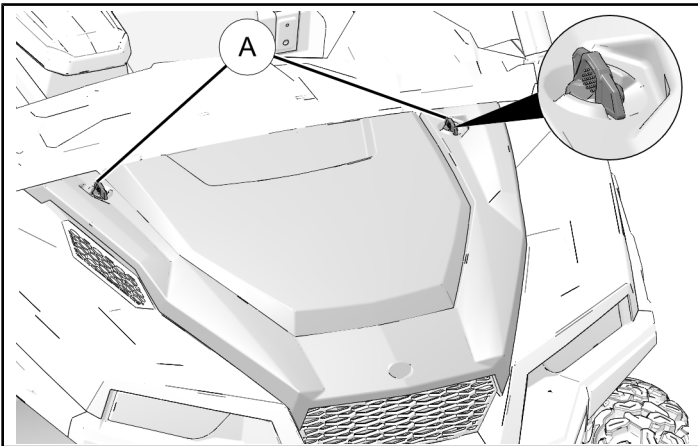


3. Move panel upward and rearward, detaching eight spring clips (C).



## HOOD REMOVAL

1. Turn latches (A) 90° to release hood from vehicle. Pull hood forward and up to remove from vehicle.

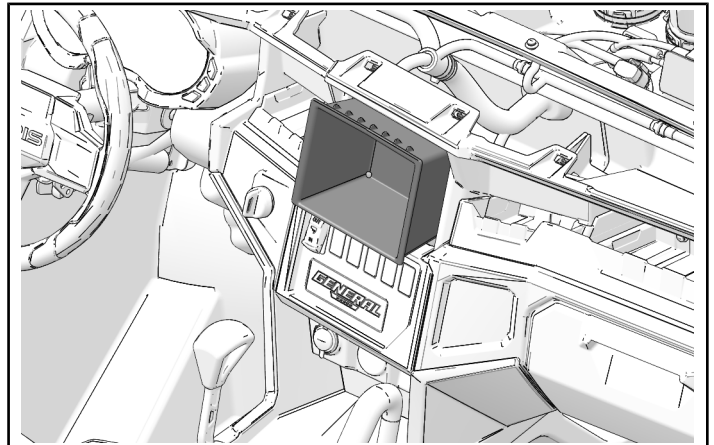
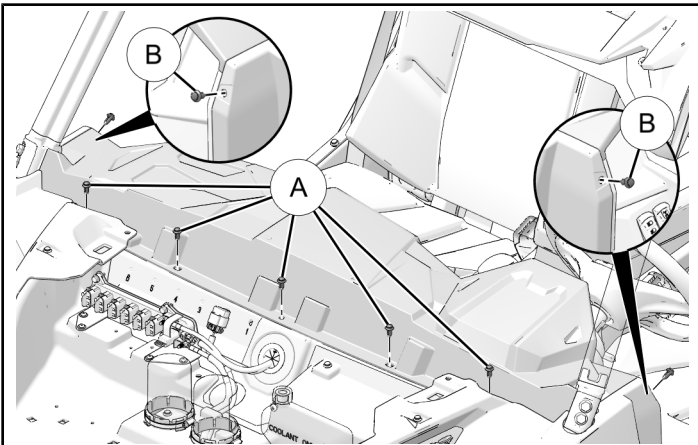


## VEHICLES WITHOUT AUDIO UNIT REMOVE CENTER STORAGE BOX

1. Push top edge of center storage box down, to detach locking tabs from main dash panel. Tip box out of dash and remove.

## VEHICLES WITH AUDIO UNIT UPPER DASH PANEL REMOVAL

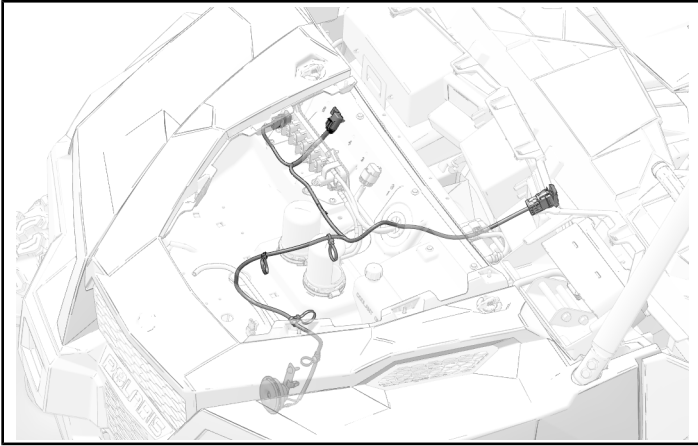
1. If windshield is installed, open it. If Lock & Ride® windshield is installed, remove it.
2. Remove and keep two push-pin rivets (B), and five-push pin rivets (A).





## ACCESSORY INSTALLATION

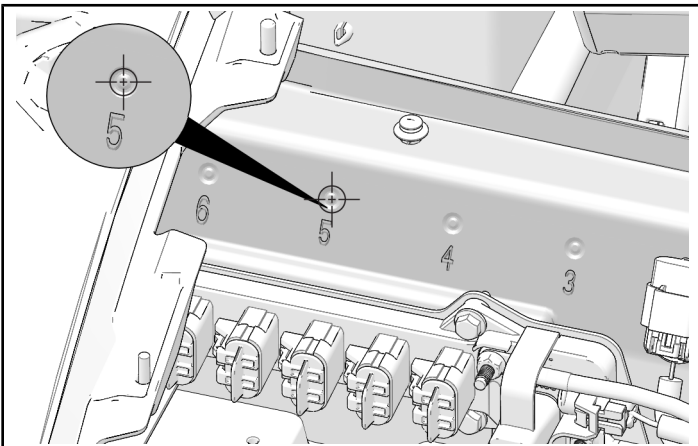
### HORN HARNESS OVERVIEW



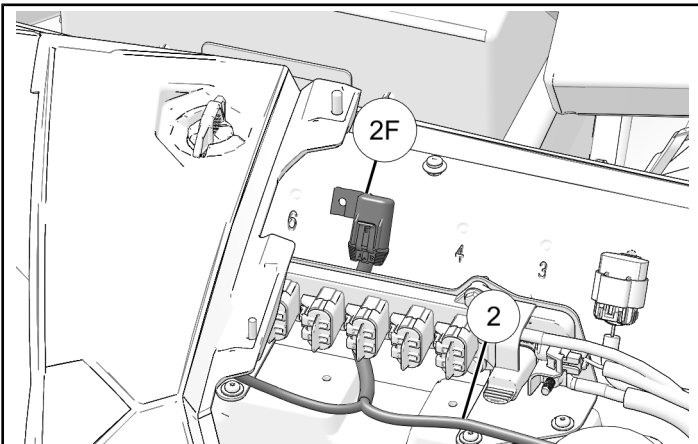
1. Drill hole onto location **5** behind Polaris Pulse® Bar.

#### MEASUREMENT

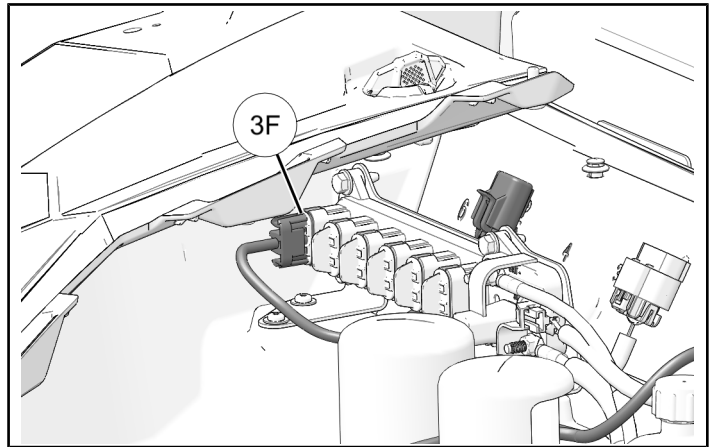
Drill Bit:  
1/4 in (6 mm)



2. Connect harness **2** fuse holder **2F** with push-dart clip into location **5**.



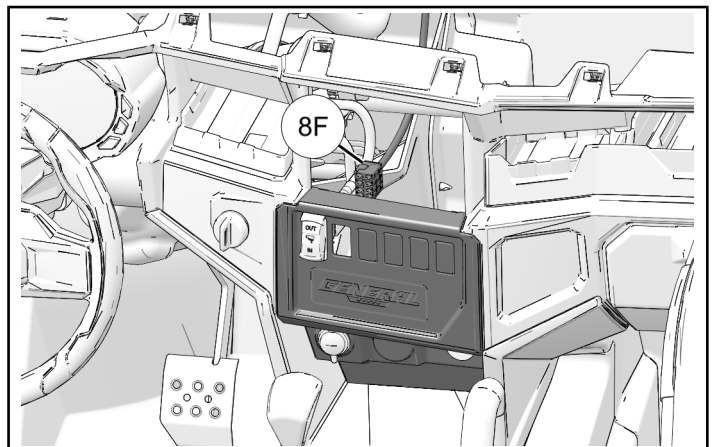
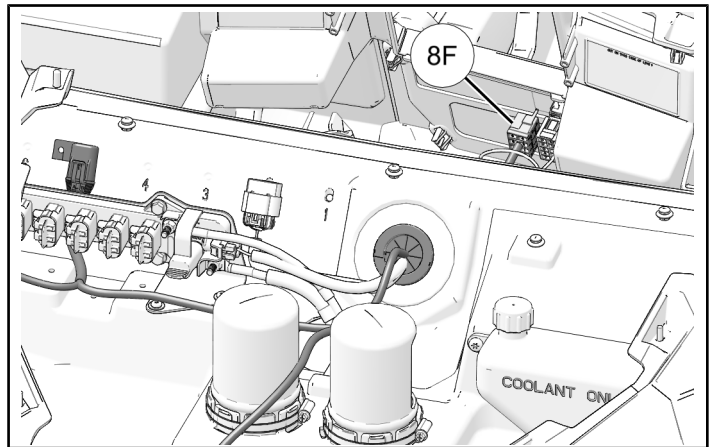
3. Remove cap from any slot on Polaris Pulse® Bar. Connect connector **3F** to open slot.



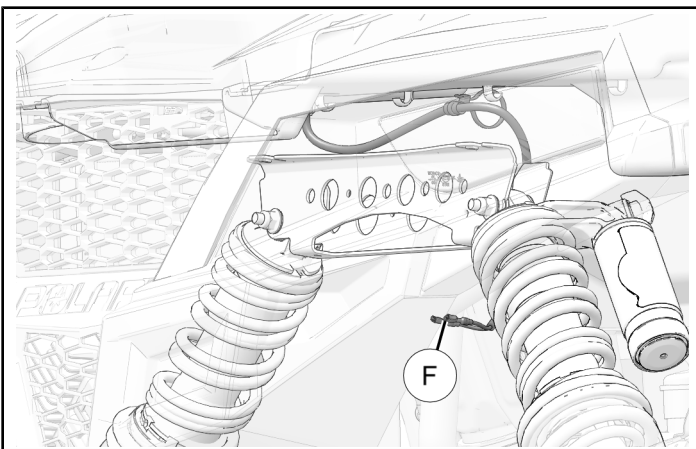
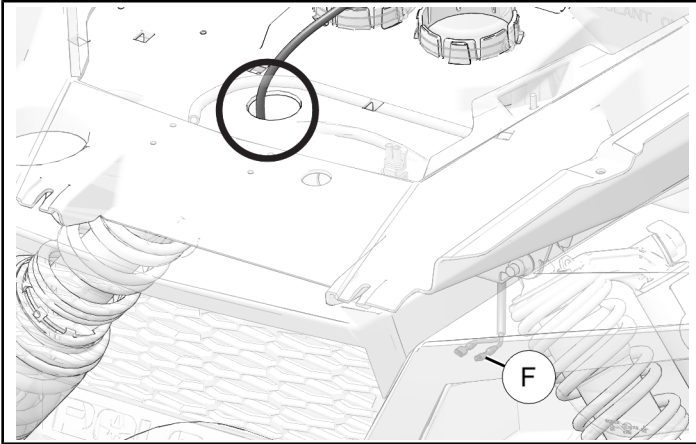
4. Route connector **8F** through hood grommet and towards center console.

#### NOTICE

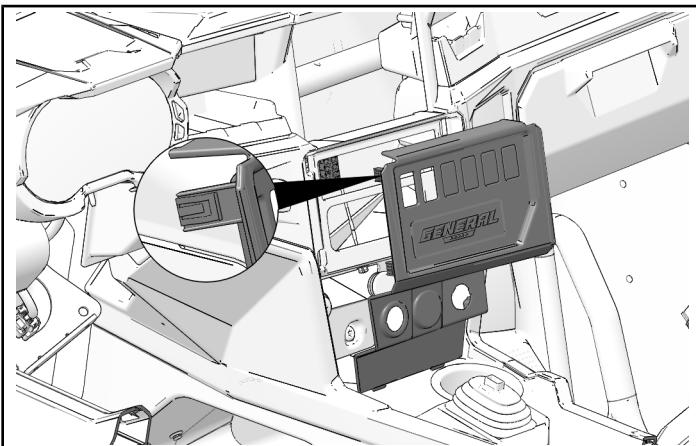
Upper dash, center storage and audio unit hidden for clarity.



5. Route two spades **1F** through hood grommet. Make sure it is near front suspension on driver side.



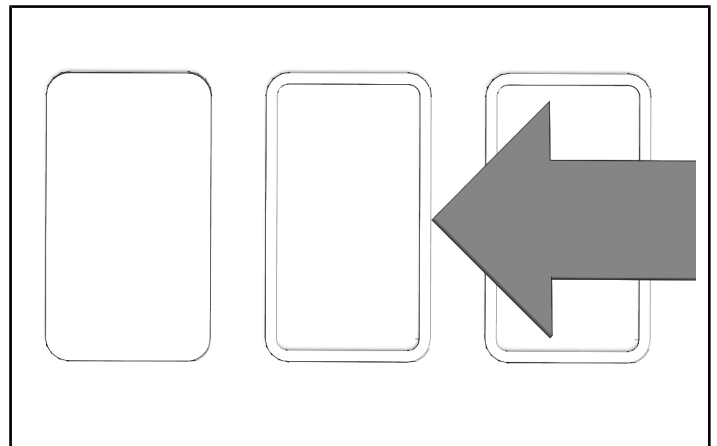
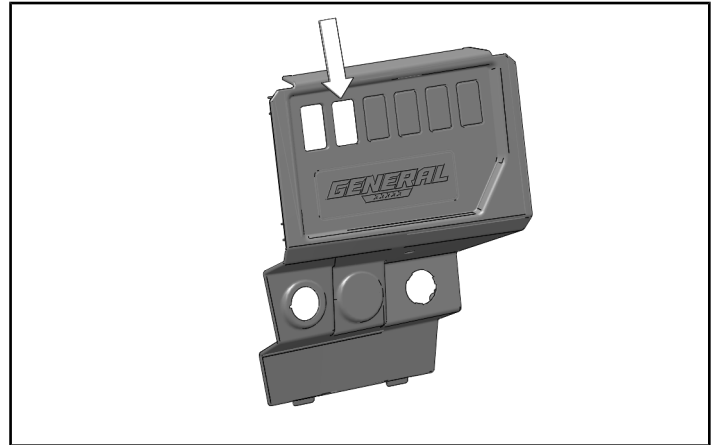
6. Remove top of center console first, then move center console rearwards. Take note of harness locations and disconnect them from center console. Remove center console.



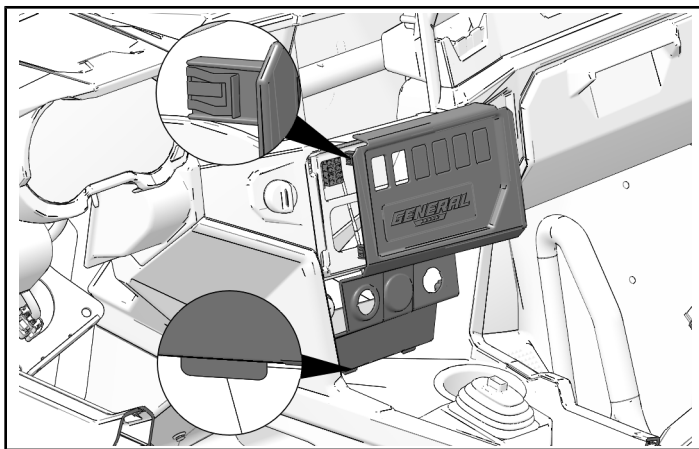
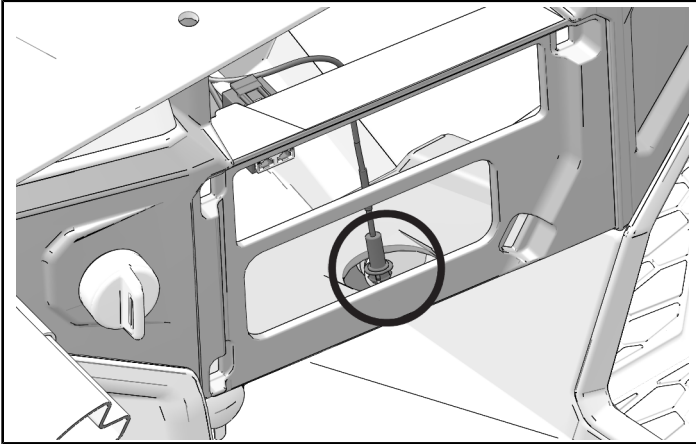
7. Cut out one opening on center console. Make sure to cut out to the outer most rectangle line.

**TIP**

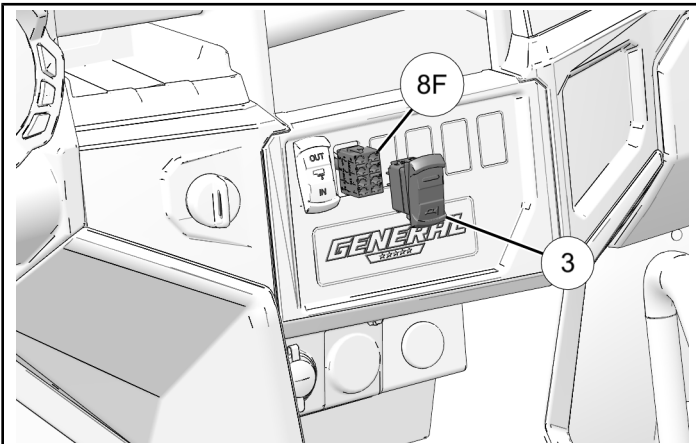
Use a drill to cut out corners of the rectangle first, before using a knife/razor.



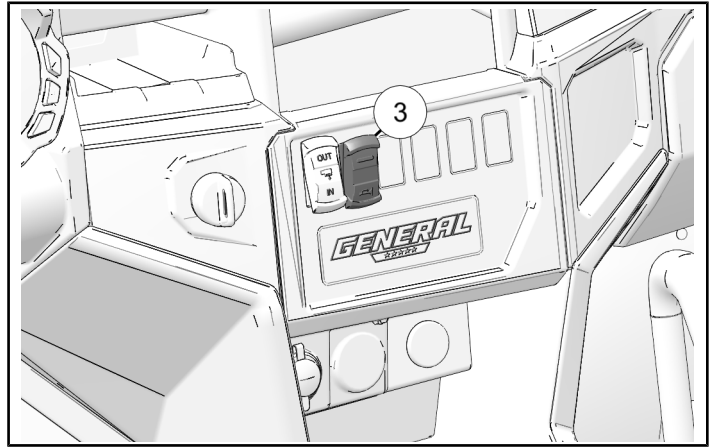
8. Connect all harnesses to center console. Make sure LED light is routed through bottom hole of dash carrier. Install center console bottom two tabs and top clips onto vehicle.



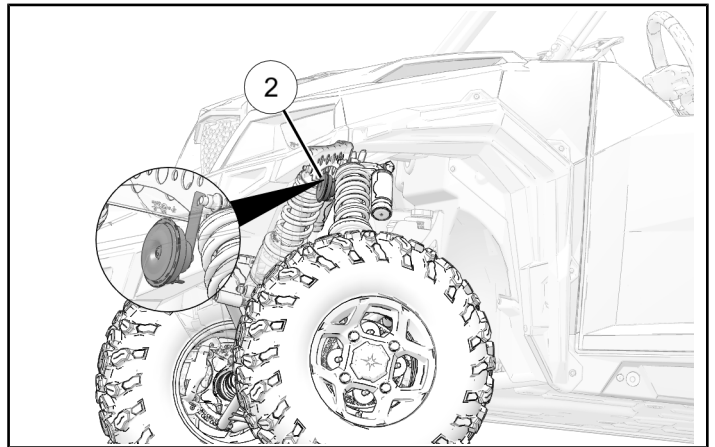
9. Route connector 8F through center console opening. Connect to horn switch ③.



10. Install connected switch into center console ③ until fully seated.

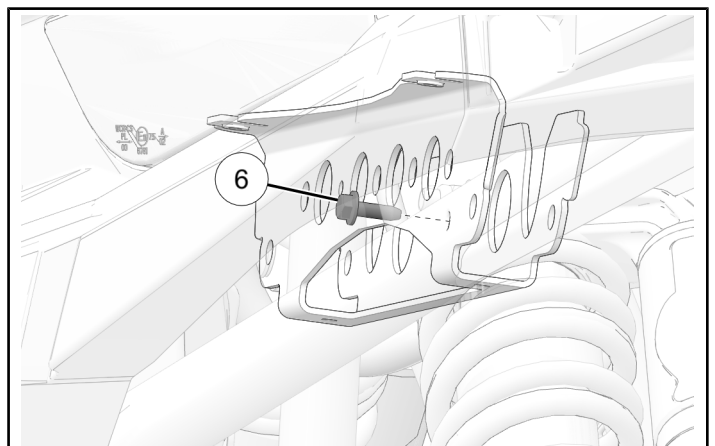


11. Find horn ② location at front left of vehicle.



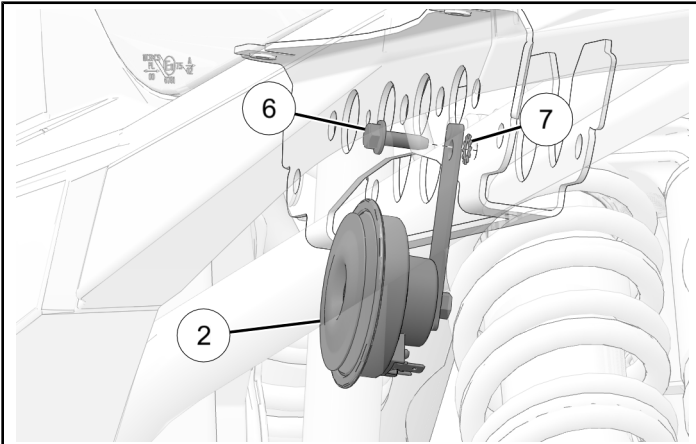
12. Install screw ⑥ into crossmember to thread crossmember. Remove screw.

**DO NOT** torque fasteners at this time.

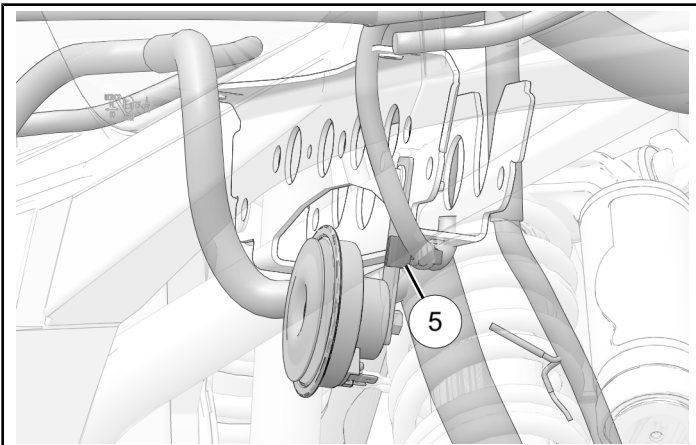


13. Install horn ② loosely with one screw ⑥ and one washer ⑦ onto cross member.

**DO NOT torque fasteners at this time.**



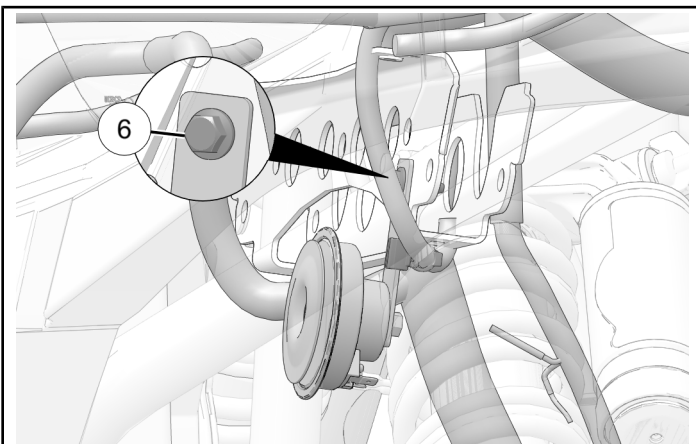
14. Install clip edge ⑤ onto horn. Route vehicle harness into clip edge.



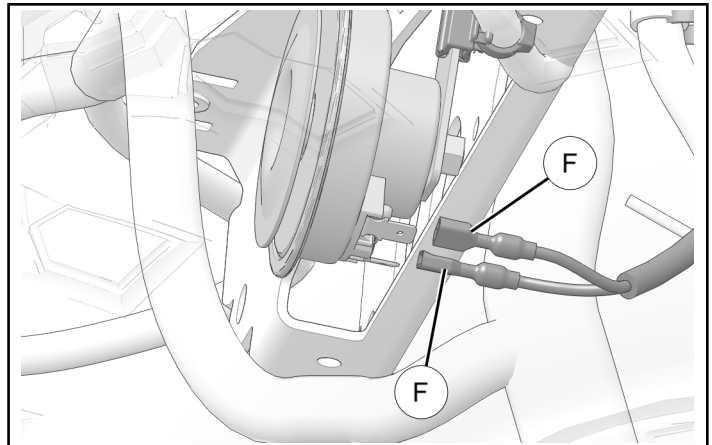
15. Torque screw ⑥ to specification.

**TORQUE**

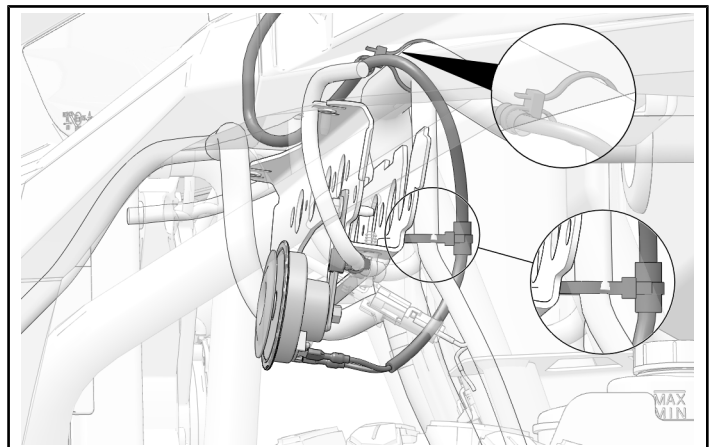
Screw ⑥:  
**70 in-lbs (8 N·m)**



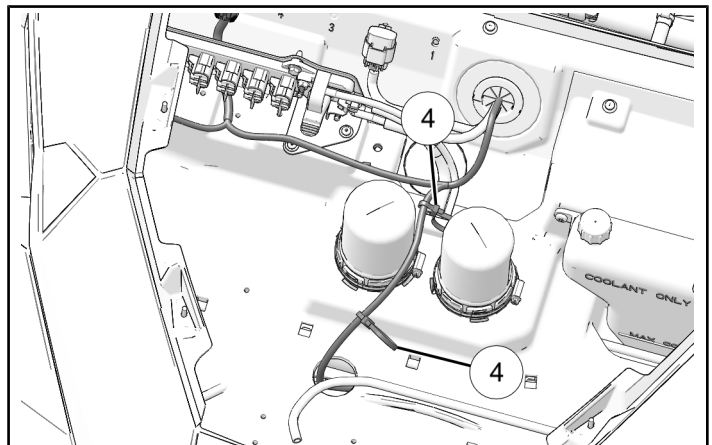
16. Connect two spades 1F to horn.



17. Attach cables tie on horn harness to vehicle harness.



18. Attach two cable ties ④ onto horn harness. Use cable ties to attach to vehicle harness.



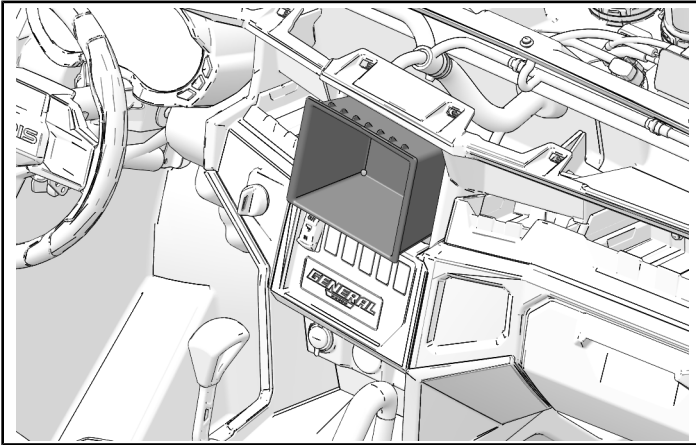


## VEHICLE REASSEMBLY

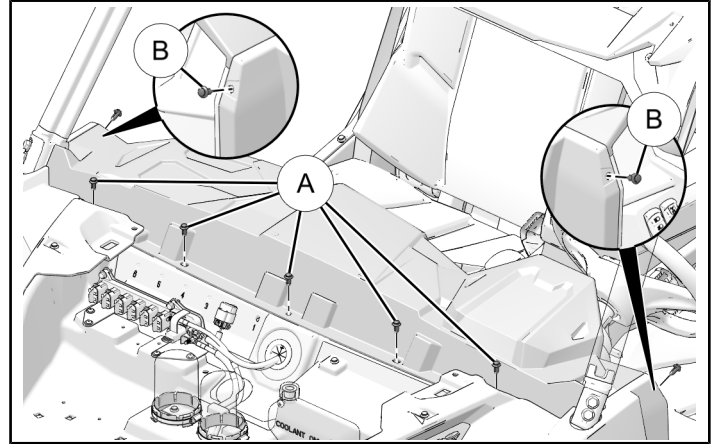
### VEHICLES WITHOUT AUDIO UNIT

#### CENTER STORAGE BOX INSTALLATION

1. Install center storage box locking tabs onto main dash panel.



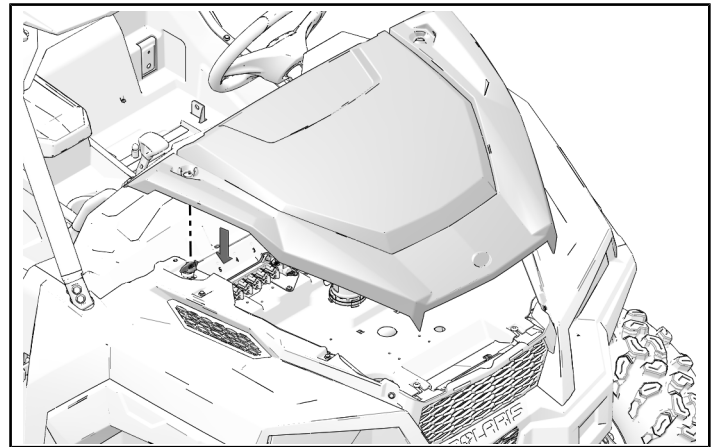
2. Install five push-pin rivets (A) to front side of upper dash and two push-pin rivets (B) to outer ends of upper dash.



3. If windshield is installed, open it. If Lock & Ride® windshield is installed, remove it.

#### HOOD INSTALLATION

1. Line up hood with latches. Turn latches 90°.



#### BATTERY CONNECTION

#### BATTERY DISCONNECTION

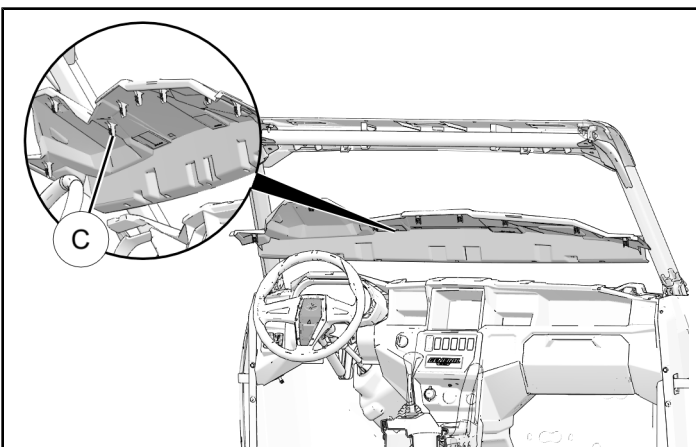
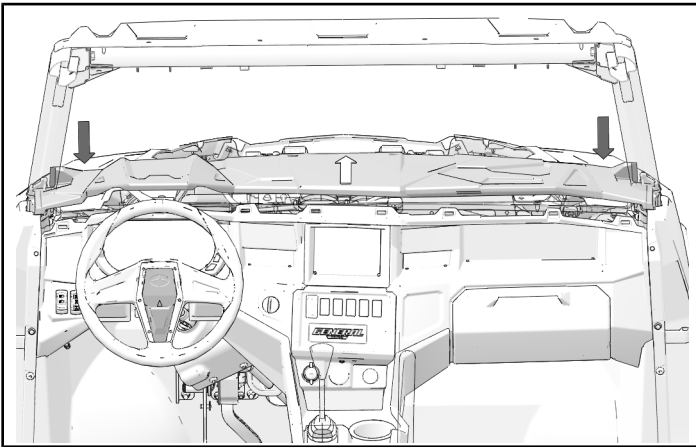
#### **⚠ WARNING**

Make sure red positive (+) battery terminal is COMPLETELY COVERED by protective boot. Accidental tool contact across both battery terminals will result in high current electrical arc, and may result in battery explosion. Death or serious injury may occur.

### VEHICLES WITH AUDIO UNIT

#### UPPER DASH INSTALLATION

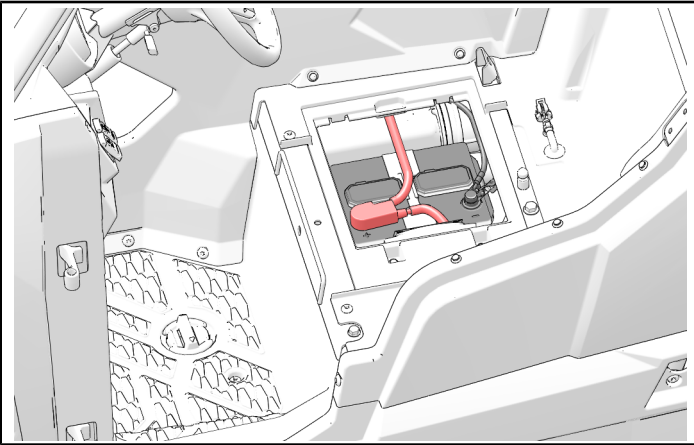
1. Move upper dash forward and down, attaching eight spring clips (C) to main dash.



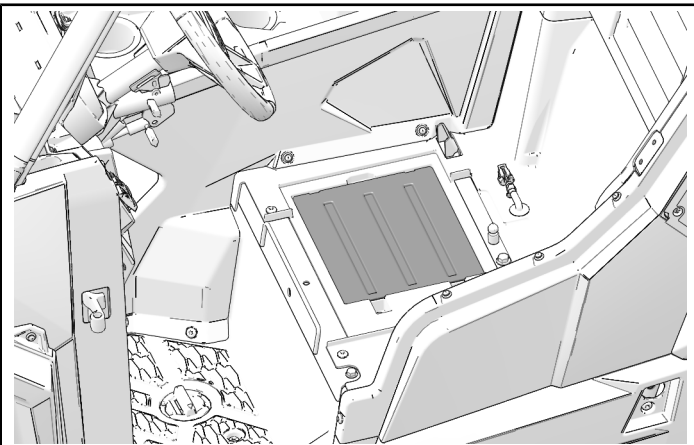
1. Connect black negative (-) battery cable. Torque to specification.

### TORQUE

Black Negative Battery Connection:  
**42 in-lbs (4.5 N·m)**



2. Install battery access cover.



## SEAT INSTALLATION

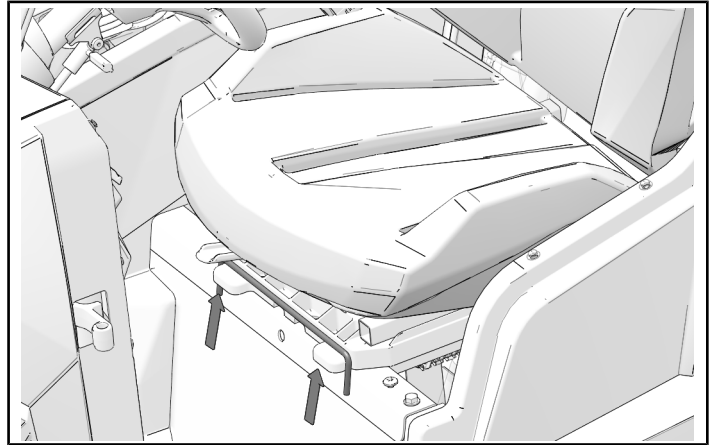
### NOTICE

For 4-passenger models, it is left rear passenger seat.

### NOTICE

For 2- passenger models, it is the driver seat.

1. Install front tabs of seat base assembly into mounting bracket.



2. Push down on back of seat to latch seat into frame. Lift up on seat to make sure it is fully installed.