

# PHONE MOUNT



P/N 2890545

## MISSING OR DAMAGED PARTS

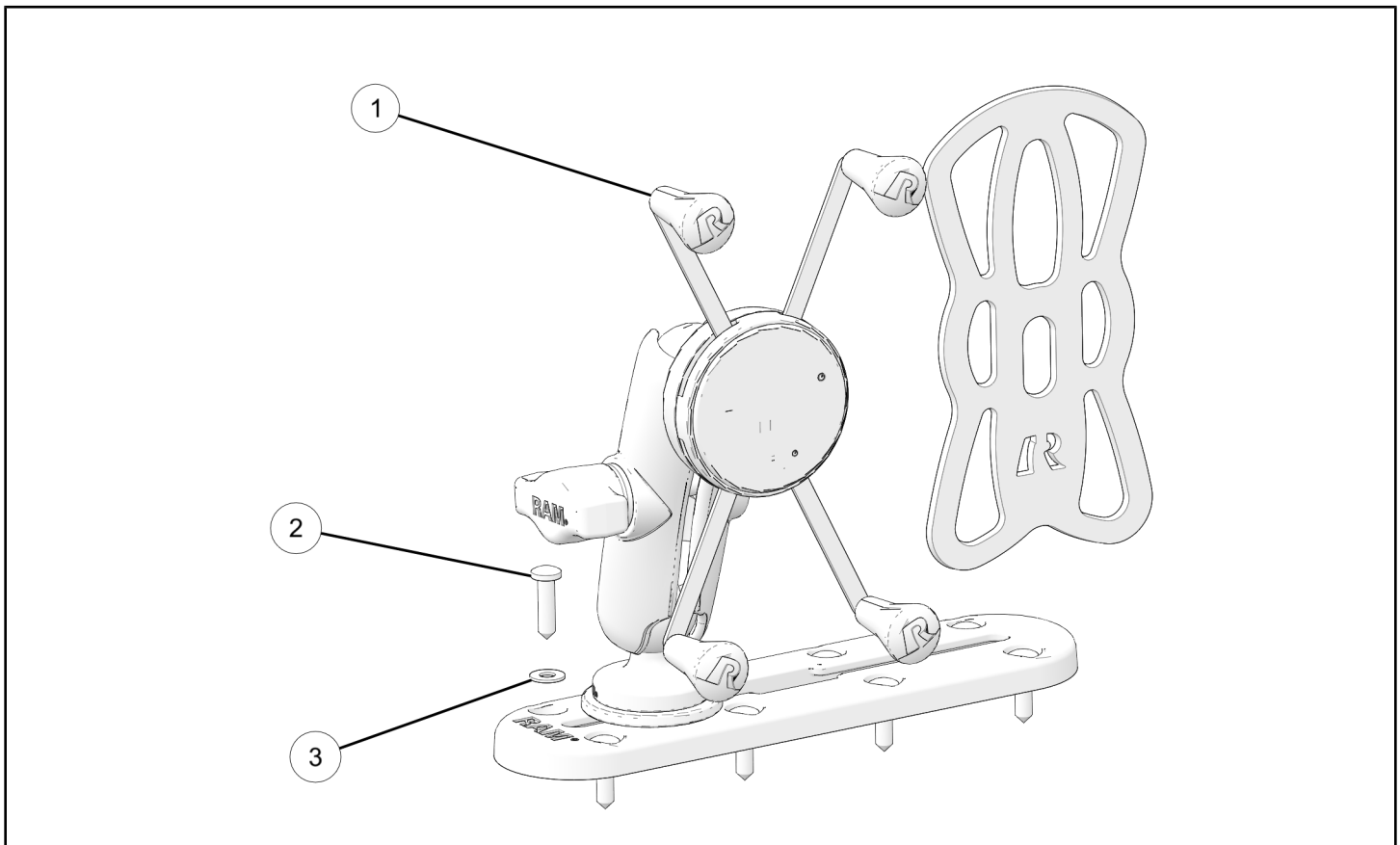
Before beginning assembly, inspect the kit and its component(s) to be sure all parts and tools are accounted for and not damaged. If missing parts or parts are damaged, please contact your Selling Dealer for assistance.

If your accessory was purchased online, please contact POLARIS® customer service at **1-800-POLARIS** (US & Canada only).

## APPLICATION

Verify accessory fitment at [www.polaris.com](http://www.polaris.com).

## KIT CONTENTS



REF	QTY	PART DESCRIPTION	P/N AVAILABLE SEPARATELY
1	1	Phone Mount Assembly	n/a
2	8	Screw, Self Threading #8 x 3/4 in	7518227
3	8	Washer, 11/64 x 3/8 x 1/32 in	7555727

## TOOLS REQUIRED

- Safety Glasses
- Drill
- Screwdriver Set, Torx®
- Socket Set, Torx® Bit
- Torque Wrench
- Drill Bit:
  - 1/8 in (3.175 mm)

## IMPORTANT

Your Phone Mount is exclusively designed for your vehicle. Please read the installation instructions thoroughly before beginning. Installation is easier if the vehicle is clean and free of debris. For your safety, and to ensure a satisfactory installation, perform all installation steps correctly in the sequence shown.

## INSTALLATION INSTRUCTIONS

### VEHICLE PREPARATION

#### GENERAL

1. Park vehicle on a flat surface.
2. Shift vehicle into PARK.
3. Turn key to OFF position and remove key.

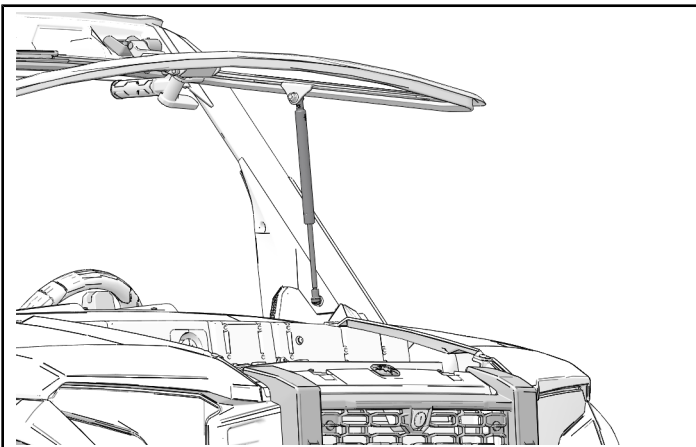
#### CENTER DASH PANEL REMOVAL

##### VEHICLES WITH TIP-OUT WINDSHIELD

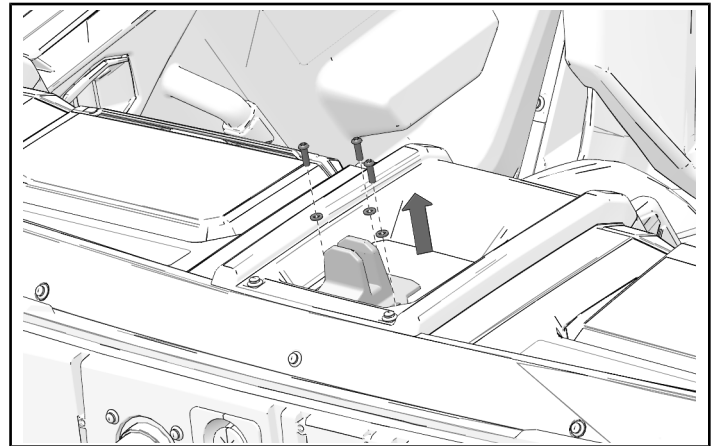
#### NOTICE

For vehicles without tip-out windshield, proceed to Panel Removal.

1. Open tip-out windshield.

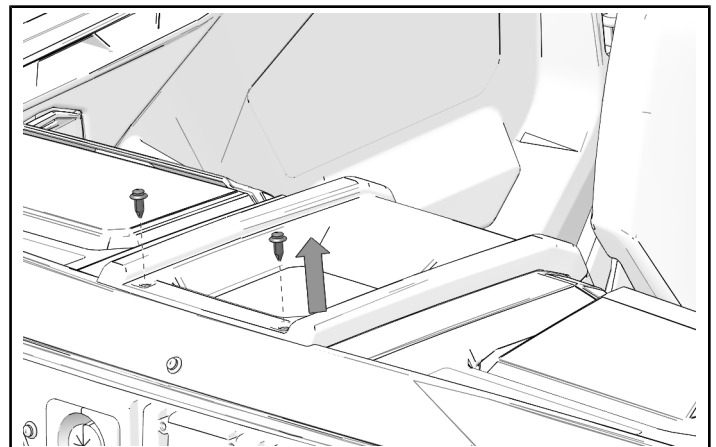


2. Remove and keep three screws and washers. Remove and keep windshield base.

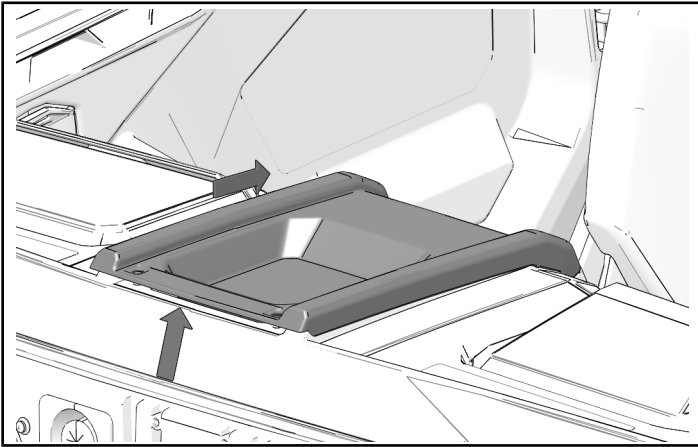


#### PANEL REMOVAL

1. Remove and keep two push-pin rivets from center dash panel.



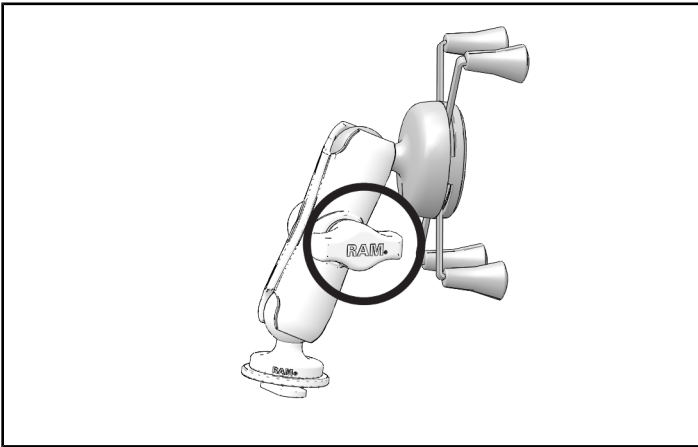
2. Remove and keep panel by lifting front edge and moving backward.



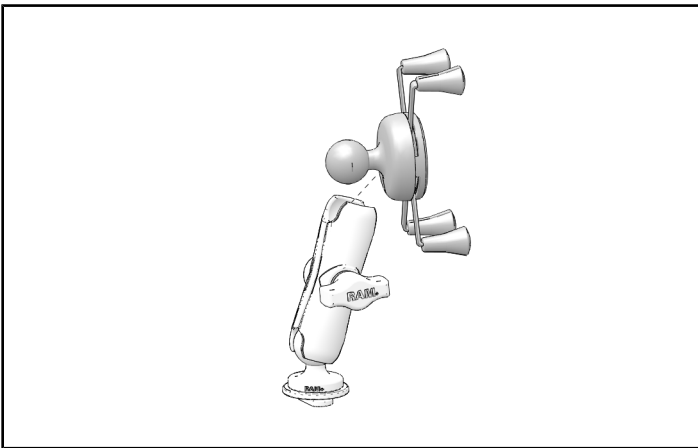
## ACCESSORY INSTALLATION

### TETHER X GRIP INSTALLATION (OPTIONAL)

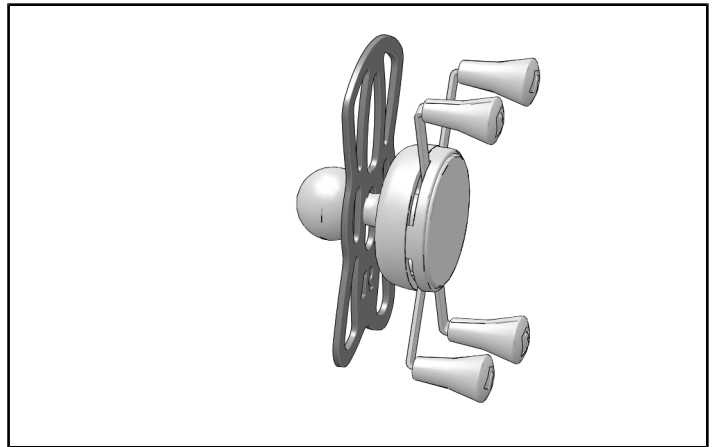
1. Loosen mount arm by turning knob.



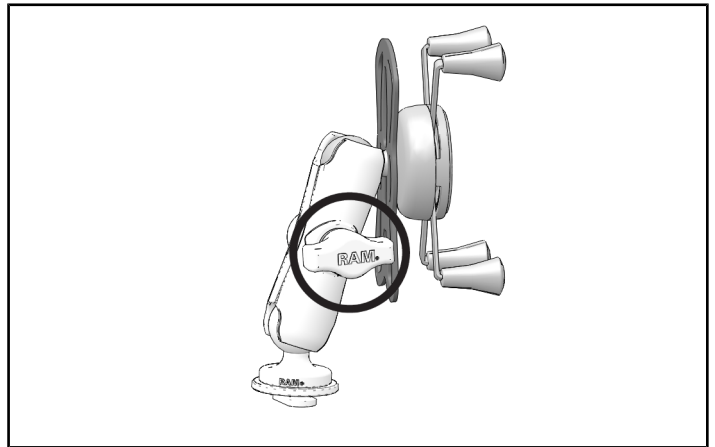
2. Remove x grip from mount arm



3. Install tether x grip over the x grip ball.



4. Install x grip onto mount arm. Tighten mount arm knob.

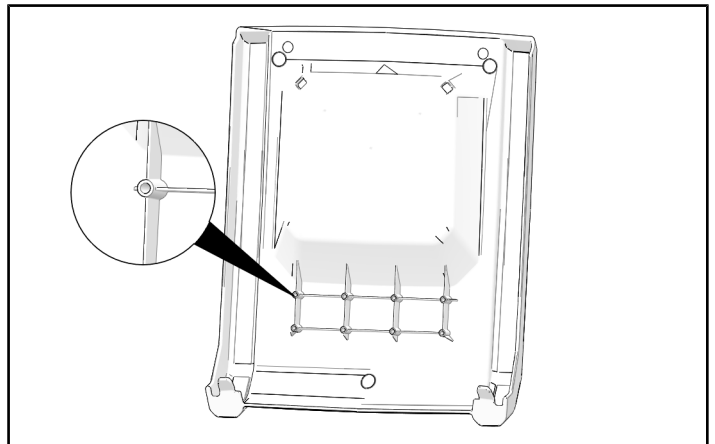


### PANEL PREPARATION

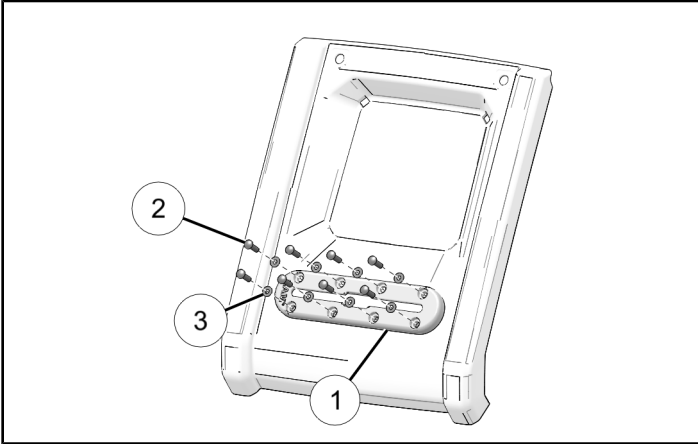
1. Find the eight screw bosses underneath the center dash panel. Drill into each of the bosses.

#### MEASUREMENT

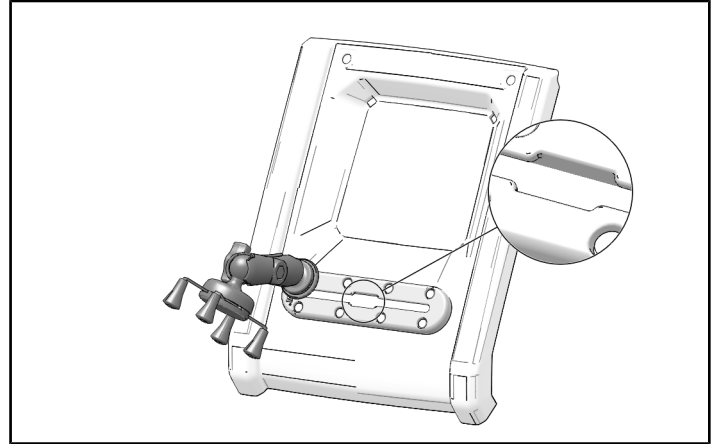
Drill Bit Size:  
1/8 in (3.175 mm)



2. Turn over panel. Install phone mount ① onto the panel with eight screws ② and eight washers ③. Hand tighten screws until fully seated.

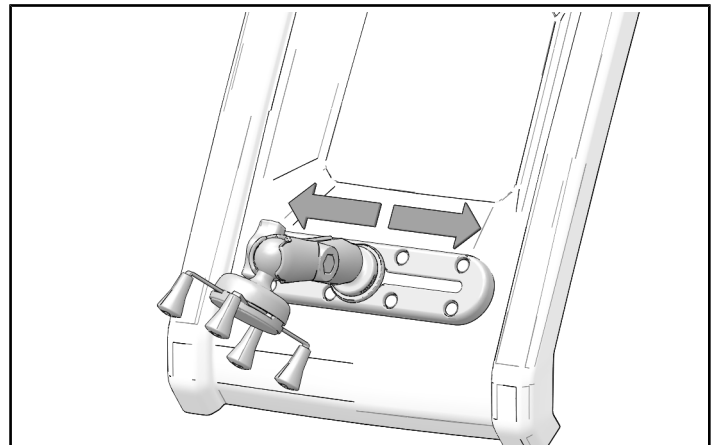
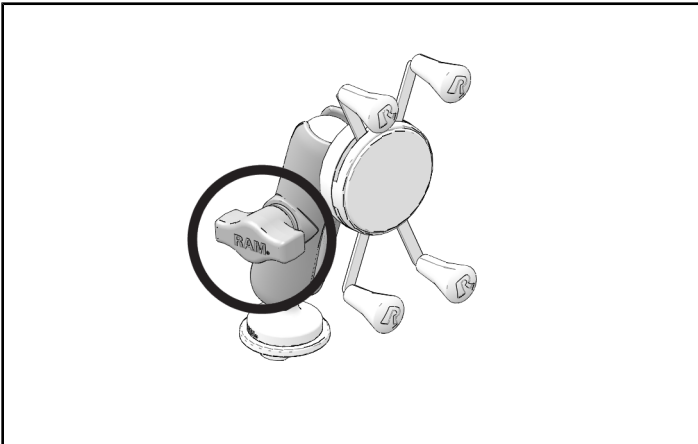


2. Install phone mount assembly onto phone mount through the middle hole. Move phone mount assembly to location as desired.

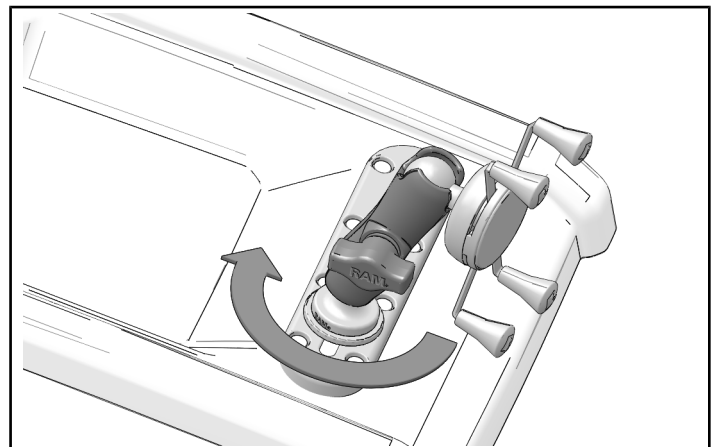


### PHONE MOUNT INSTALLATION

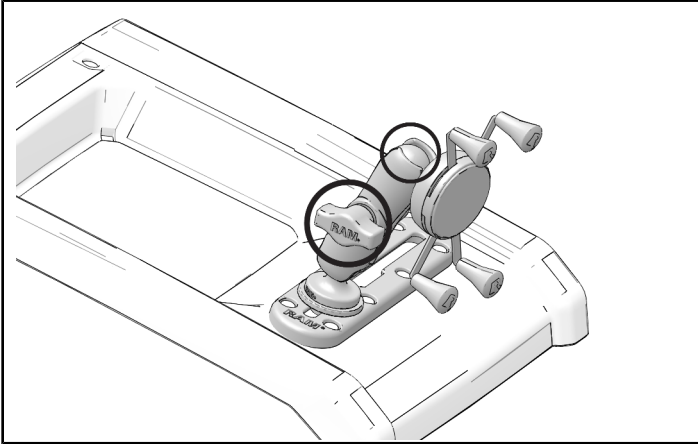
1. Make sure the arm mount knob is tightened.



3. Rotate mount arm clockwise to firmly attach arm mount to phone mount.



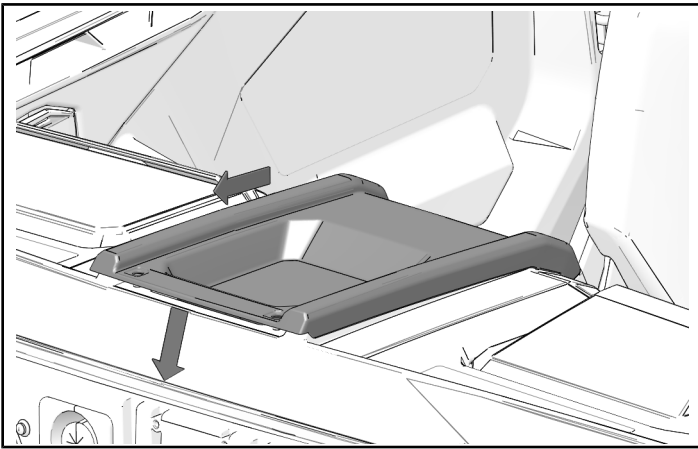
- To adjust position of standing phone mount, loosen mount arm knob and move it to the desired position.



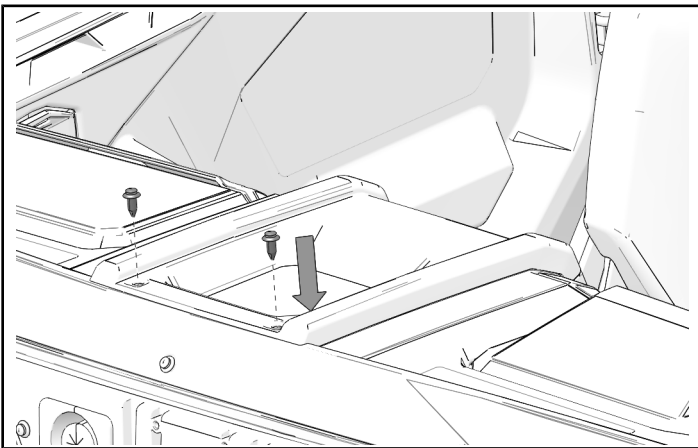
## VEHICLE REASSEMBLY

### CENTER DASH PANEL INSTALLATION

- Install center panel. Install rear tabs into dash, then lower into position.



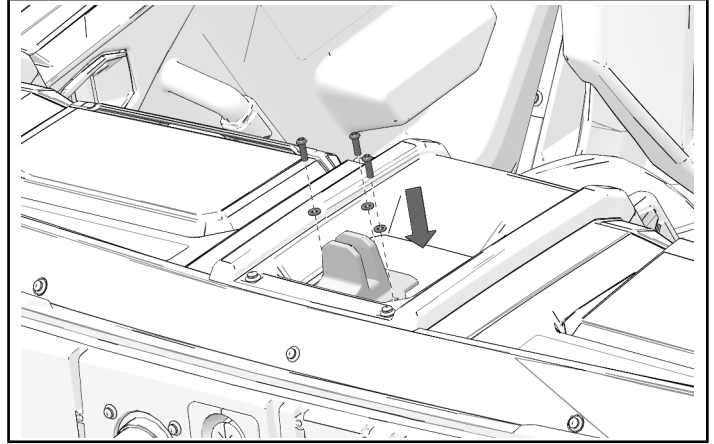
- Install two push-pin rivets.



- If vehicle is equipped with tip-out windshield. Install base, three screws, and washers. Torque screws to specification.

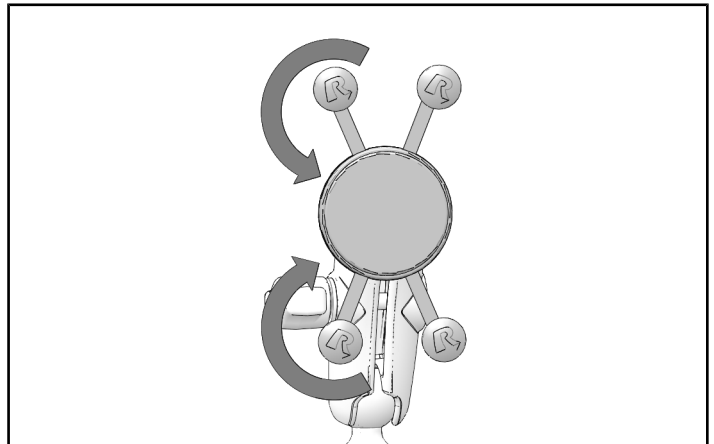
### TORQUE

Base Screws:  
89 in-lbs (10 N·m)



## OPERATION

- Push the phone mount arms to insert phone.



### IF TETHER X GRIP IS INSTALLED

- Put corners of tether x grip around the phone for extra protection.

