

# MODULAR HEADACHE RACK KIT



P/N 2890233

## MISSING OR DAMAGED PARTS

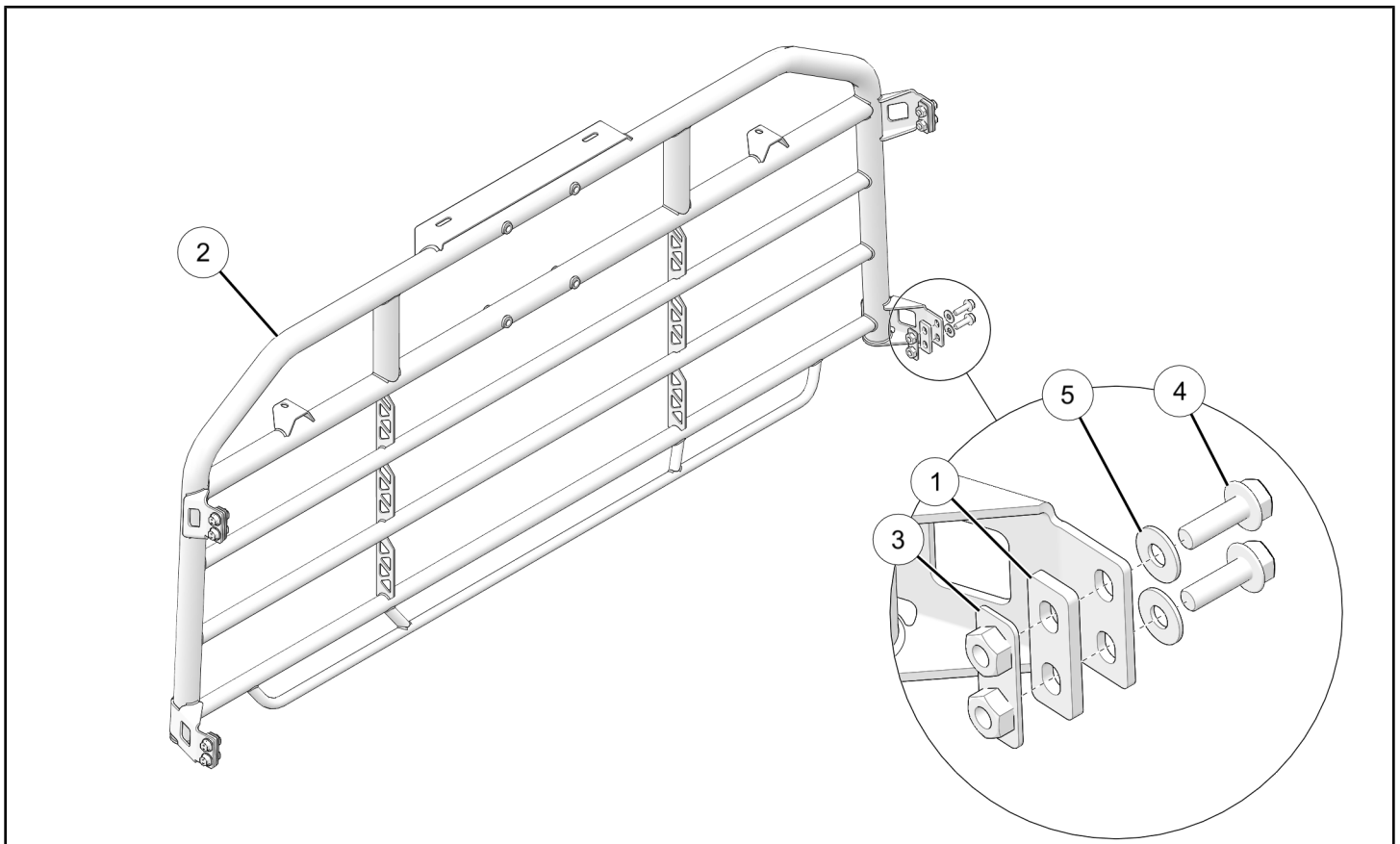
Before beginning assembly, inspect the kit and its component(s) to be sure all parts and tools are accounted for and not damaged. If missing parts or parts are damaged, please contact your Selling Dealer for assistance.

If your accessory was purchased online, please contact POLARIS® customer service at **1-800-POLARIS** (US & Canada only).

## APPLICATION

Verify accessory fitment at [www.polaris.com](http://www.polaris.com).

## KIT CONTENTS



REF	QTY	PART DESCRIPTION	P/N AVAILABLE SEPARATELY
1	4	Steel Spacer	n/a
2	1	Headache Rack	n/a
3	4	Hinge Plate	5256140
4	8	Screw, Hex, Flange, M8 x 1.25 x 25 mm	7521332
5	8	Washer	7556969

## TOOLS REQUIRED

- Safety Glasses
- Socket Set, Metric
- Torque Wrench

## IMPORTANT

Your Modular Headache Rack Kit is exclusively designed for your vehicle. Please read the installation instructions thoroughly before beginning. Installation is easier if the vehicle is clean and free of debris. For your safety, and to ensure a satisfactory installation, perform all installation steps correctly in the sequence shown.

## INSTALLATION INSTRUCTIONS

### VEHICLE PREPARATION

#### GENERAL

1. Park vehicle on a flat surface.
2. Shift vehicle into PARK.
3. Turn key to OFF position and remove key.

### ACCESSORY INSTALLATION

#### IMPORTANT

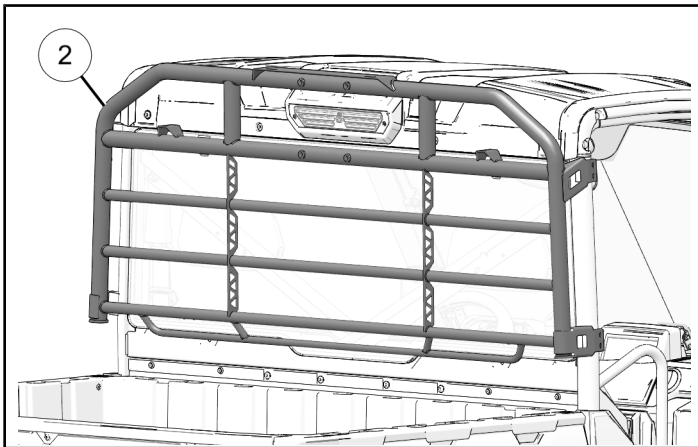
Two person installation recommended.

#### INSTALLATION WITHOUT DOORS

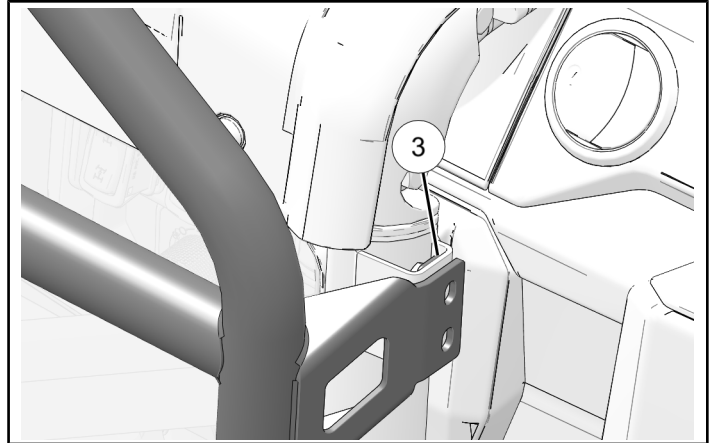
#### NOTICE

Upper right mounting point shown; other mounting points similar.

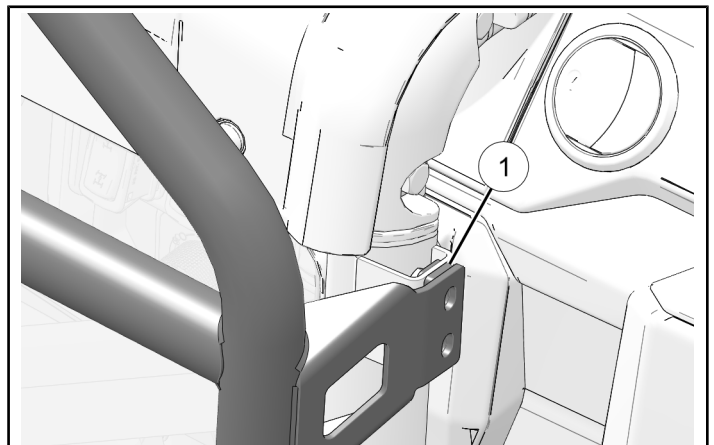
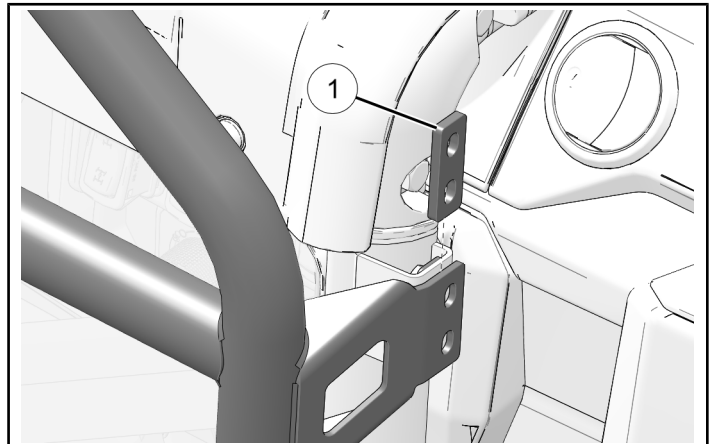
1. Put headache rack ② in position on vehicle. Line up mounts with hinge mounts on vehicle ROPS.



2. Put hinge plate ③ on inside face of hinge mount.

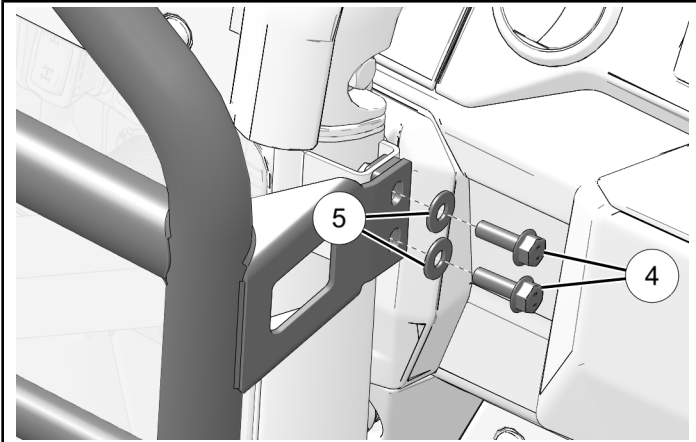


3. Put steel spacer ① in between headache rack mount and hinge mount.



4. Loosely install two washers ⑤ and two screws ④.

DO NOT torque fasteners at this time.



5. Repeat steps 2-4 at other three mounting points.  
6. Torque all screws ④ to specification.

**TORQUE**

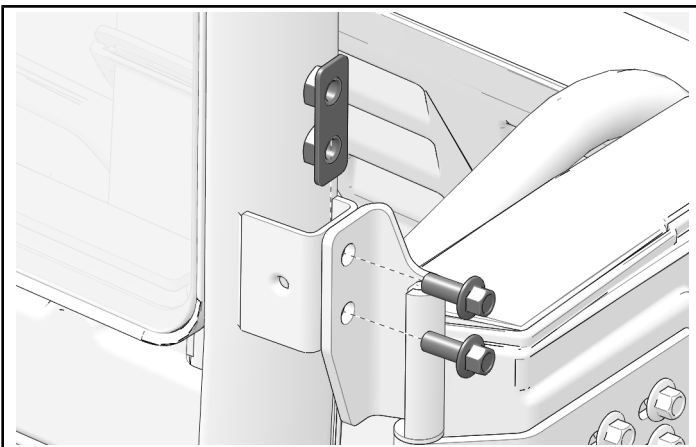
Screws ④:  
**17 ft-lbs (23 N·m)**

**INSTALLATION WITH HALF DOORS**

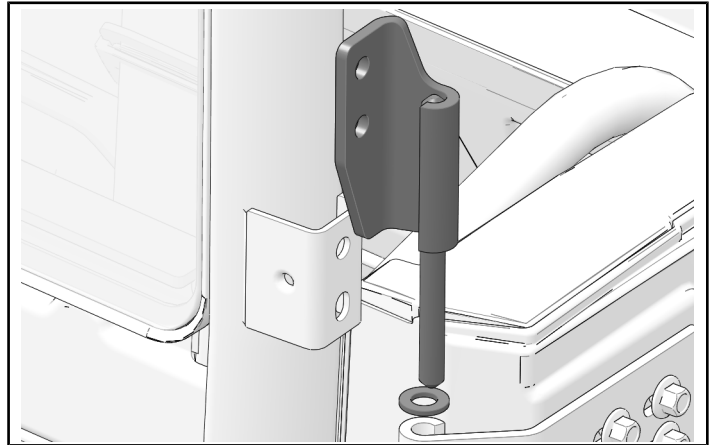
**NOTICE**

Right side shown; left side similar.

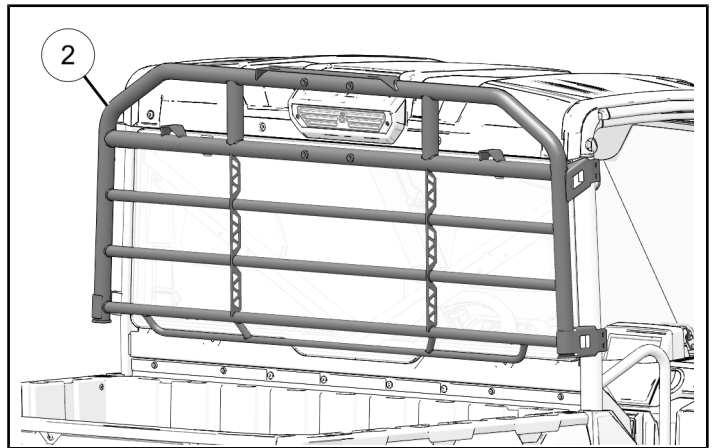
1. Remove and discard hardware from upper door hinge.



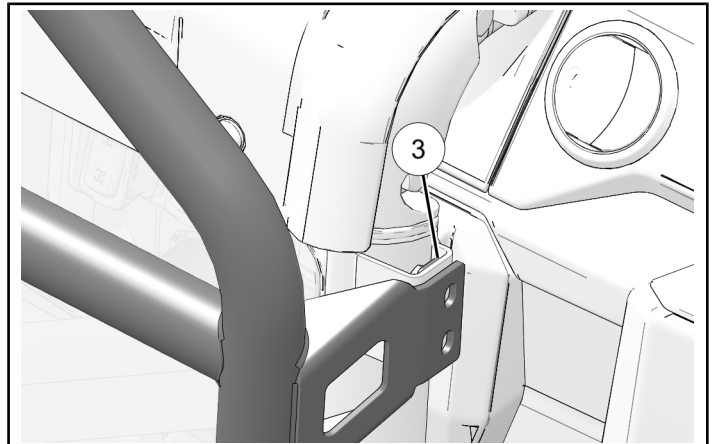
2. Remove and keep upper door hinge and hinge bushing.



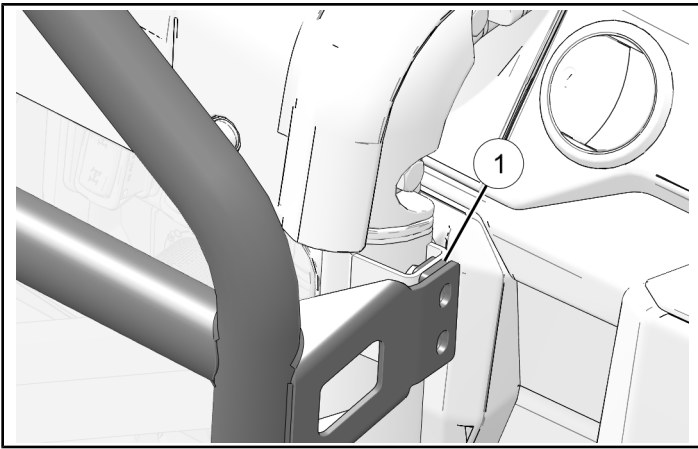
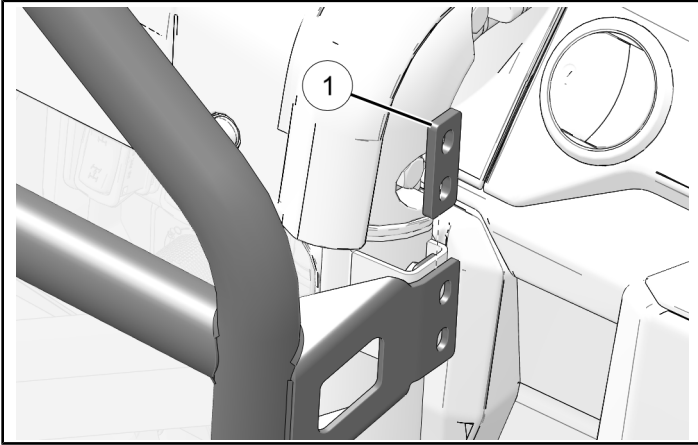
3. Put headache rack ② in position on vehicle. Line up mounts with hinge mounts on vehicle ROPS.



4. Put hinge plate ③ on inside face of upper hinge mount.

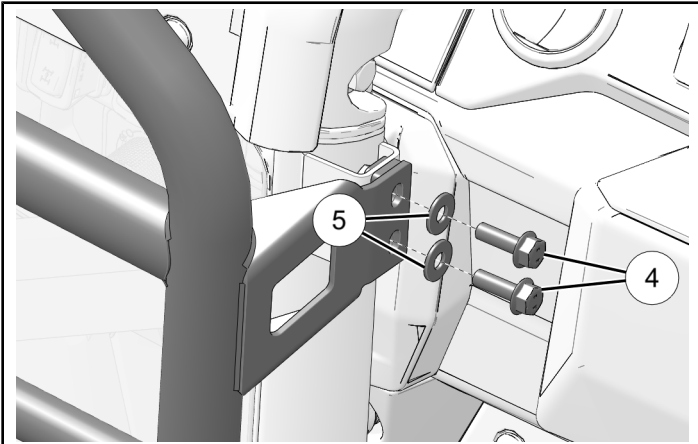


5. Put steel spacer ① in between headache rack mount and hinge mount.

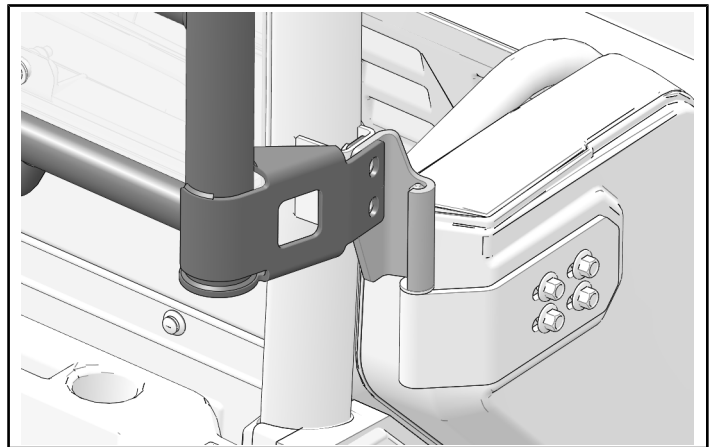
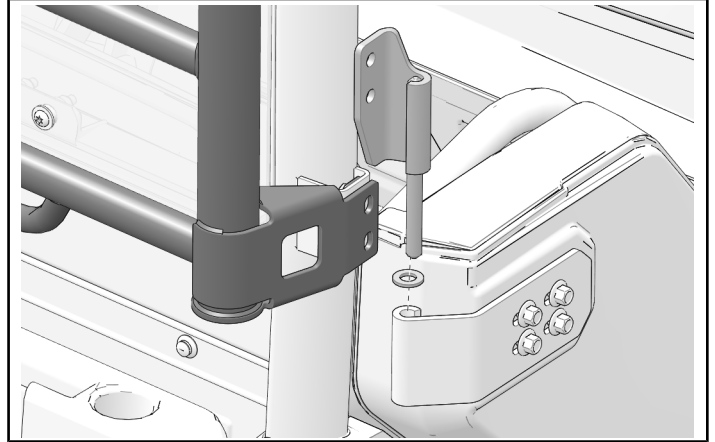


6. Loosely install two washers ⑤ and two screws ④.

**DO NOT torque fasteners at this time.**

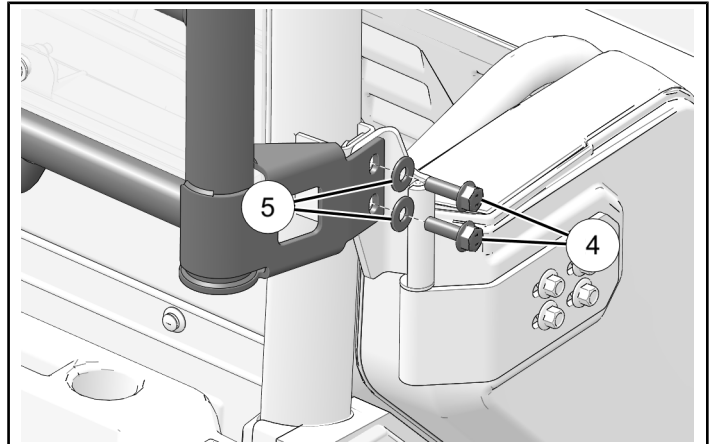


7. Put upper door hinge between lower headache rack mount and lower hinge mount. Make sure bushing is installed.



8. Loosely install two washers ⑤ and two screws ④.

**DO NOT torque fasteners at this time.**



9. Torque all screws ④ to specification.

**TORQUE**

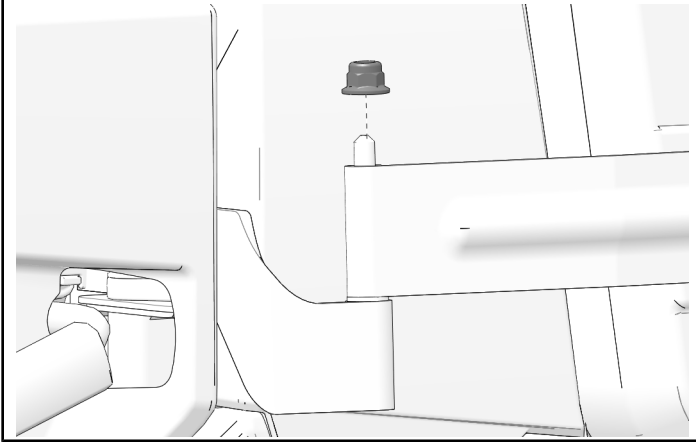
Screws ④:  
**17 ft-lbs (23 N·m)**

## INSTALLATION WITH FULL DOORS

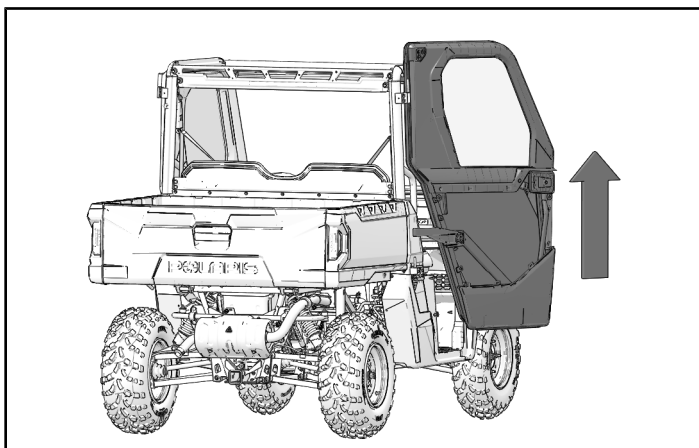
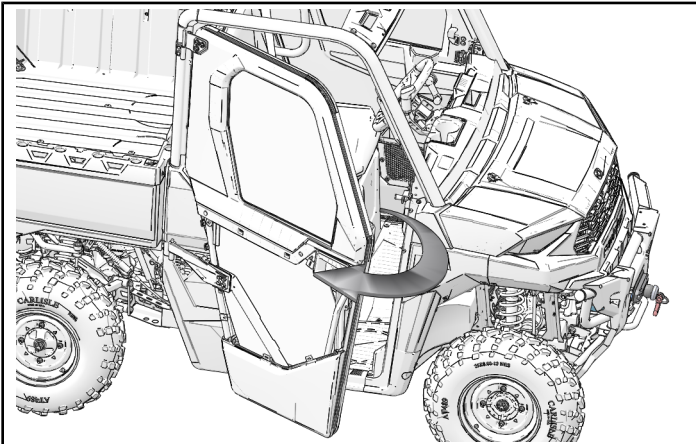
### NOTICE

Right side shown; left side similar.

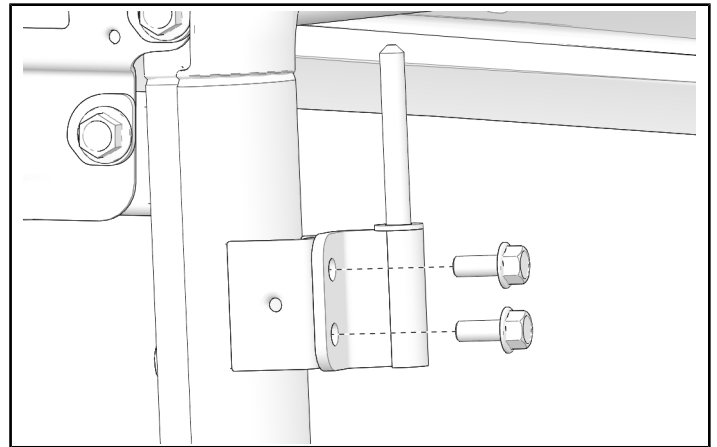
1. Disconnect limiter straps from door. Disconnect any wiring connectors from door.
2. Remove and keep nut from lower door hinge.



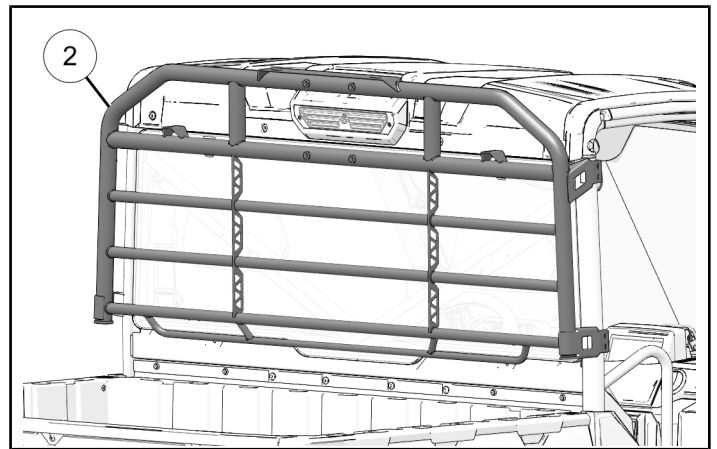
3. Open door. Lift door off door hinges.



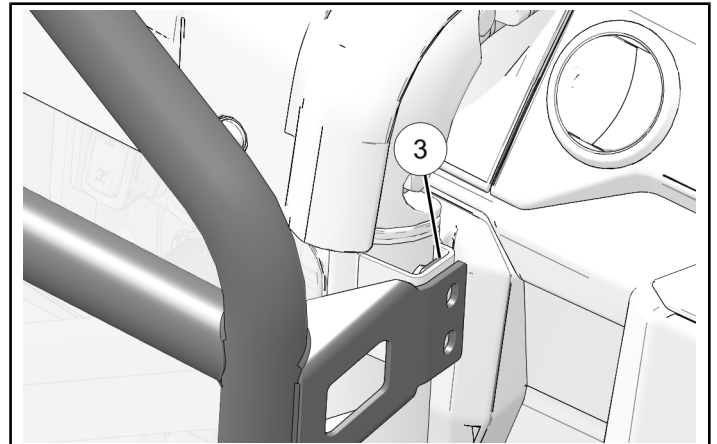
4. Remove upper door hinge and hinge bushing.



5. Put headache rack ② in position on vehicle. Line up mounts with hinge mounts on vehicle ROPS.

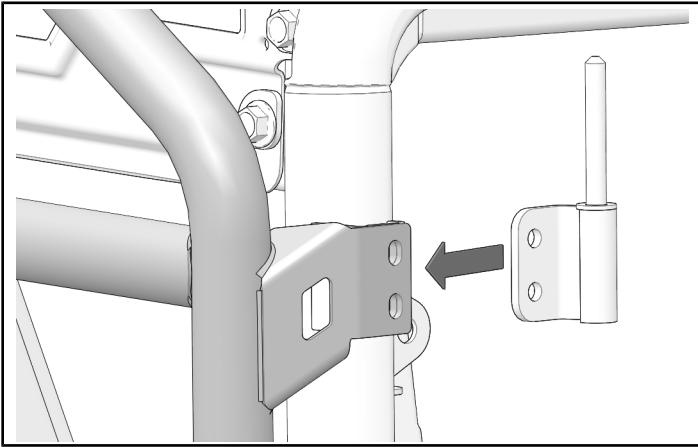


6. Put hinge plate ③ on inside face of upper hinge mount.

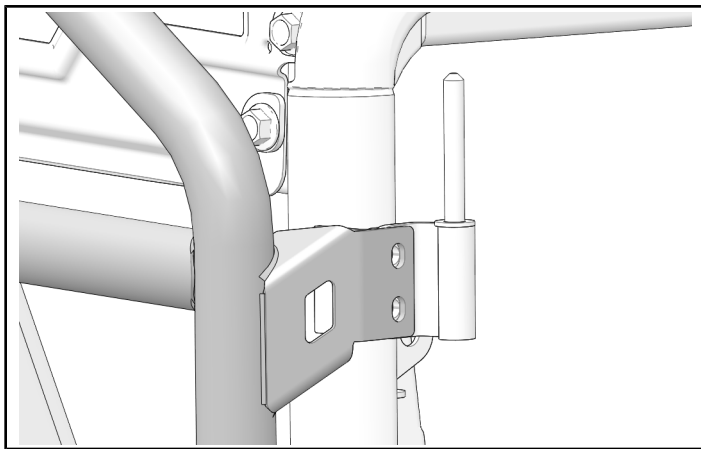
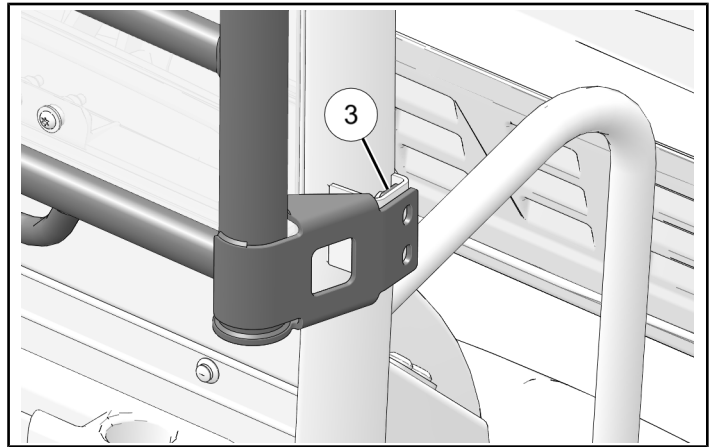




7. Put upper door hinge between headache rack mount and hinge mount.

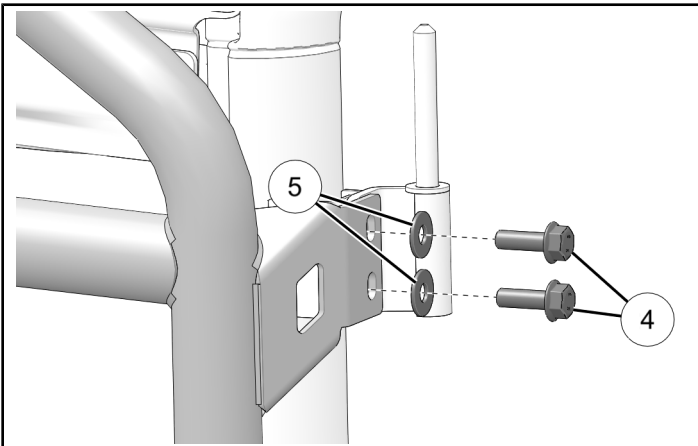


9. Install hinge plate ③ on inside of lower hinge mount.

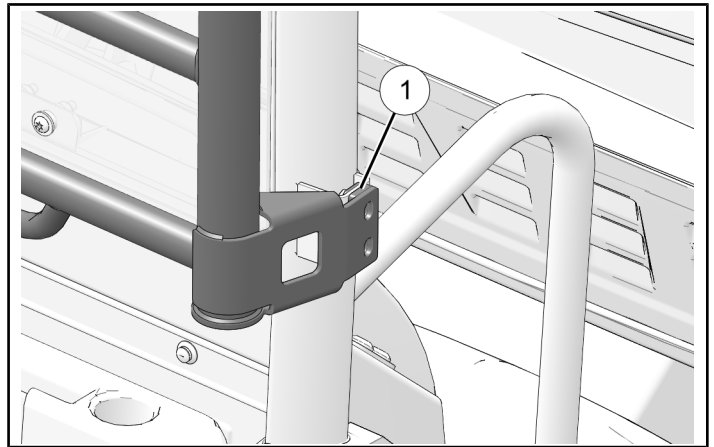
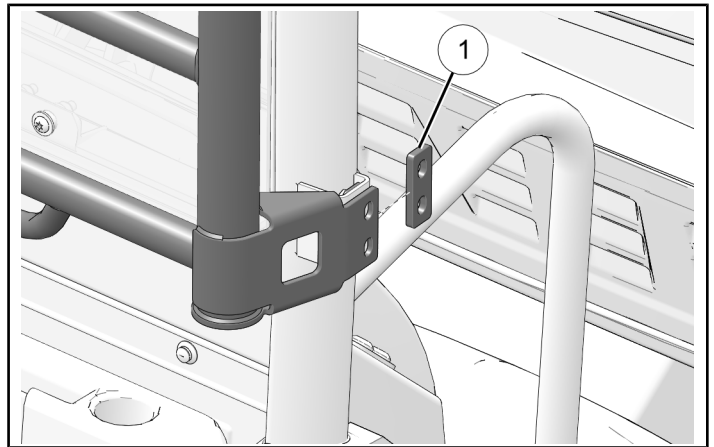


8. Loosely install two washers ⑤ and two screws ④.

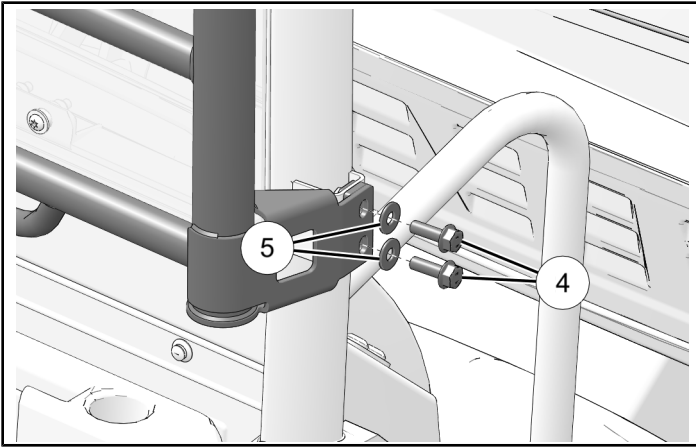
**DO NOT torque fasteners at this time.**



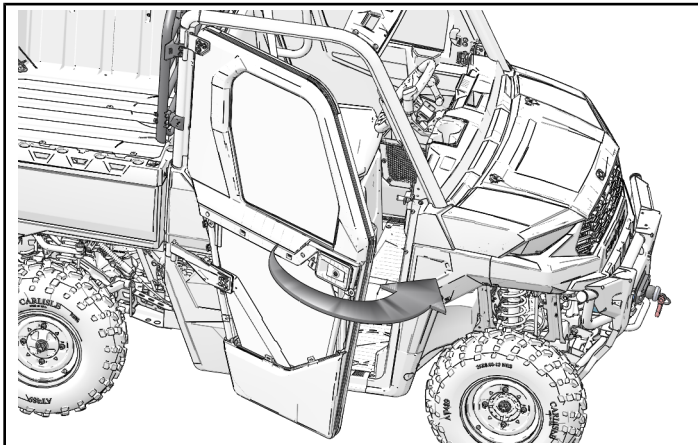
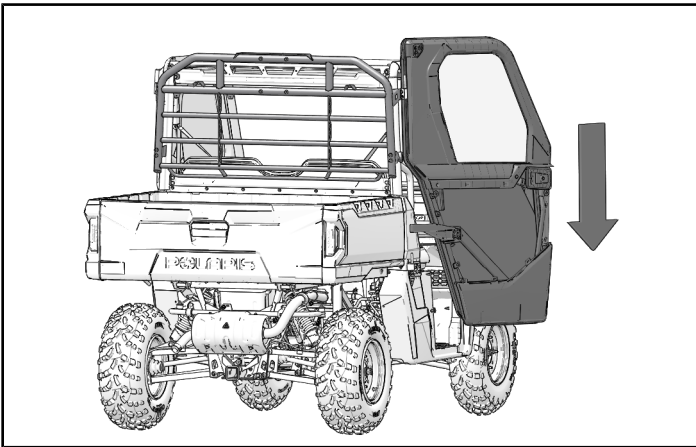
10. Install steel spacer ① between headache rack and hinge mount.



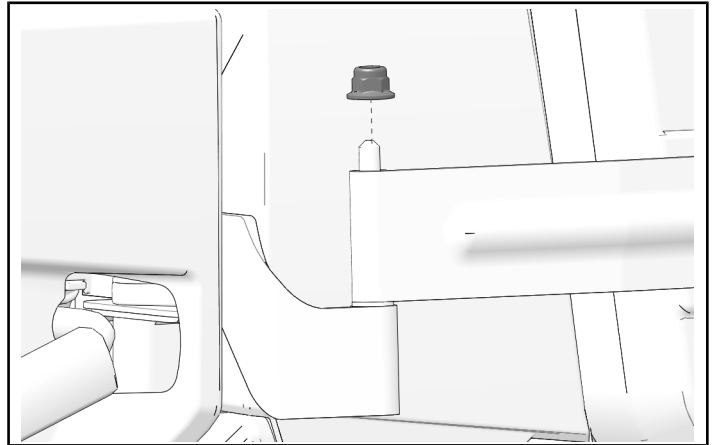
11. Loosely install two washers ⑤ and two screws ④.



12. Install door on door hinge pins. Make sure bushing is in place on upper hinge.



13. Install nut on lower door hinge. Tighten until snug. Make sure door turns without binding or free play.



14. Check door fitment. Adjust fitment with door opening and striker if necessary.

15. Make sure limiter strap is connected. Make sure electrical connections are connected.

16. Torque all screws ④ to specification.

#### TORQUE

Screws ④:  
**17 ft-lbs (23 N·m)**