

INTAKE KIT



P/N 2890251

MISSING OR DAMAGED PARTS

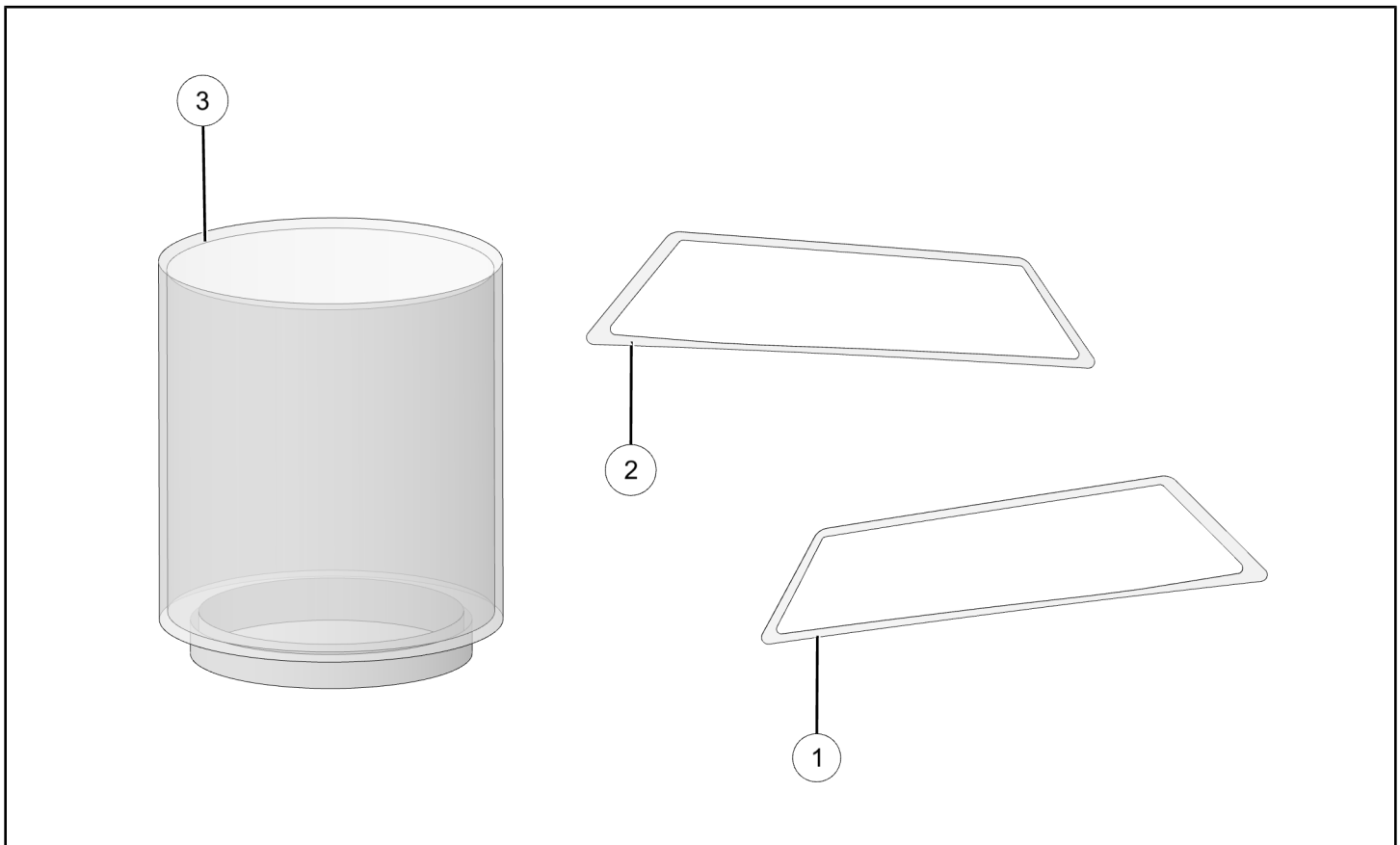
Before beginning assembly, inspect the kit and its component(s) to be sure all parts and tools are accounted for and not damaged. If missing parts or parts are damaged, please contact your Selling Dealer for assistance.

If your accessory was purchased online, please contact POLARIS® customer service at **1-800-POLARIS** (US & Canada only).

APPLICATION

Verify accessory fitment at www.polaris.com.

KIT CONTENTS



REF	QTY	PART DESCRIPTION	P/N AVAILABLE SEPARATELY
1	1	Right Screen Bezel	5459925
2	1	Left Screen Bezel	5459924
3	1	Prefilter Intake	5465097

TOOLS REQUIRED

None

IMPORTANT

Your Intake Kit is exclusively designed for your vehicle. Please read the installation instructions thoroughly before beginning. Installation is easier if the vehicle is clean and free of debris. For your safety, and to ensure a satisfactory installation, perform all installation steps correctly in the sequence shown.

INSTALLATION INSTRUCTIONS

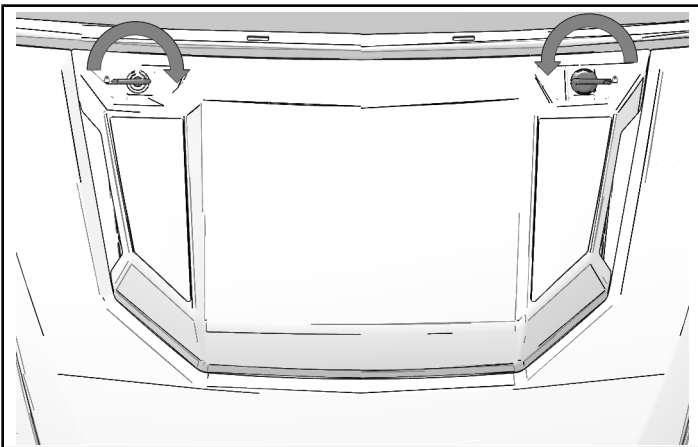
VEHICLE PREPARATION

GENERAL

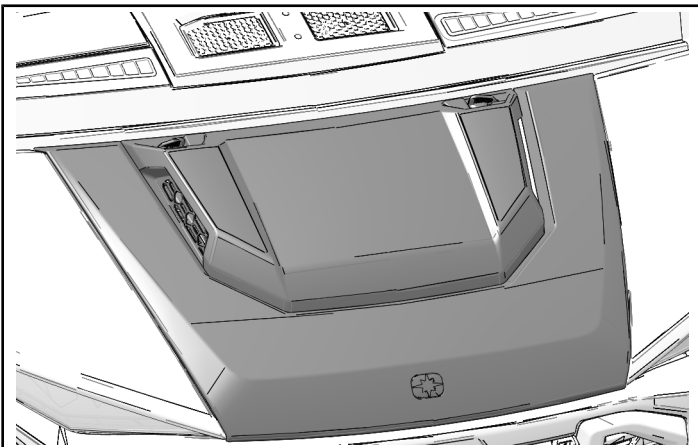
1. Park vehicle on a flat surface.
2. Shift vehicle into PARK.
3. Turn key to OFF position and remove key.

INNER HOOD REMOVAL

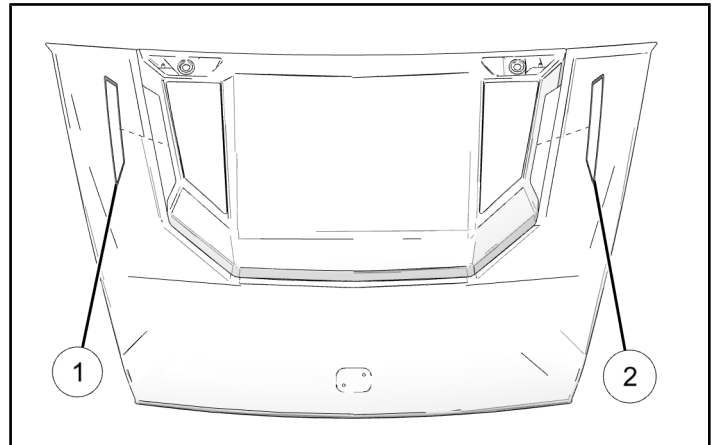
1. Turn knob upwards.



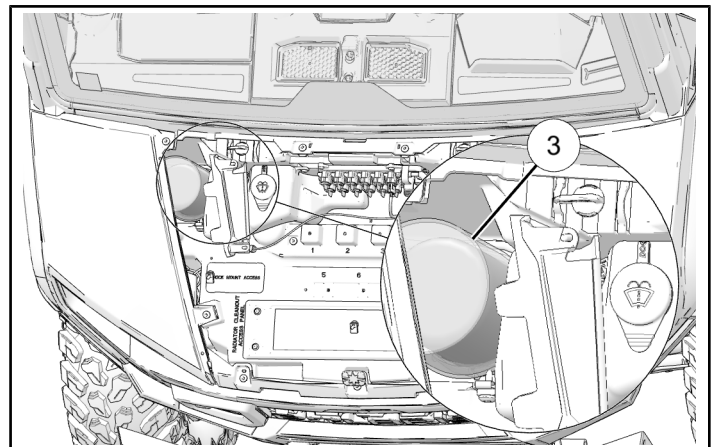
2. Move hood forward to release front hooks and lift to remove.



1. Put intake screens on inner hood openings to measure fit. Peel protective film off right and left intake screens ① and ②. Press along edges firmly to seal along edge.



2. Stretch intake prefilter ③ over intake. Make sure edge fits smoothly in place.



ACCESSORY INSTALLATION

NOTE

Right and left intake screens are different. Do not remove protective film until placement is verified.

VEHICLE REASSEMBLY

INNER HOOD INSTALLATION

1. Install inner hood onto front of vehicle. Turn knob outwards until it points towards the lock symbol.

