

SWITCH PANEL KIT



P/N 2890422

MISSING OR DAMAGED PARTS

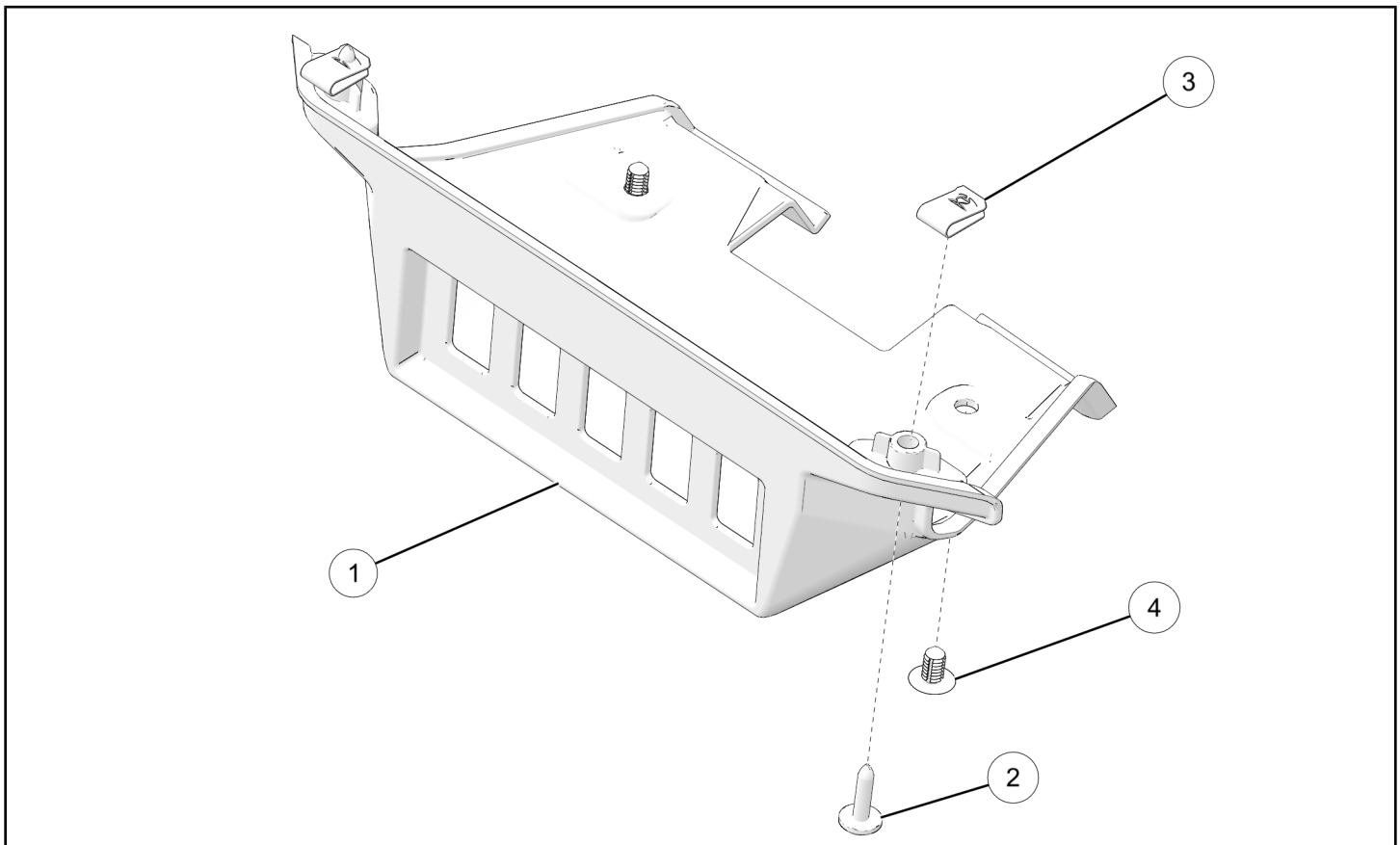
Before beginning assembly, inspect the kit and its component(s) to be sure all parts and tools are accounted for and not damaged. If missing parts or parts are damaged, please contact your Selling Dealer for assistance.

If your accessory was purchased online, please contact POLARIS® customer service at **1-800-POLARIS** (US & Canada only).

APPLICATION

Verify accessory fitment at www.polaris.com.

KIT CONTENTS



REF	QTY	PART DESCRIPTION	P/N AVAILABLE SEPARATELY
1	1	Switch Panel	5458151
2	2	Screw, Torx®, Truss Head, M6 1.0 x 25 mm	7519650
3	2	U-Nut, M6 1.0 mm	7547674
4	11	Push Dart Clip	7670088

TOOLS REQUIRED

- Safety Glasses
- Pliers, Push Pin Rivet
- Pliers, Side Cutting
- Screwdriver Set, Torx®
- Torque Wrench
- Utility Knife/Cutting Tool

IMPORTANT

Your Switch Panel Kit is exclusively designed for your vehicle. Please read the installation instructions thoroughly before beginning. Installation is easier if the vehicle is clean and free of debris. For your safety, and to ensure a satisfactory installation, perform all installation steps correctly in the sequence shown.

INSTALLATION INSTRUCTIONS

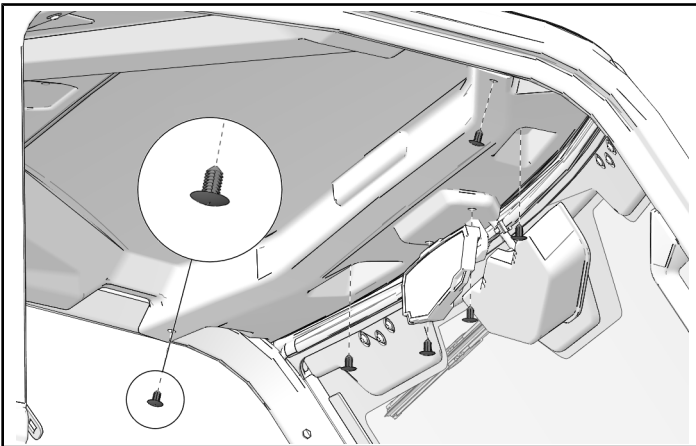
VEHICLE PREPARATION

GENERAL

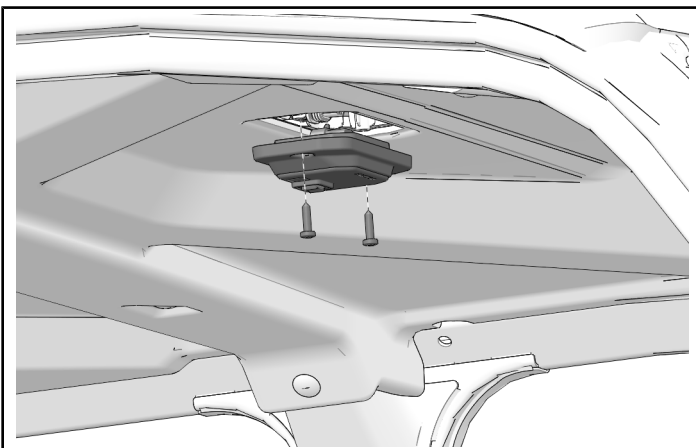
1. Park vehicle on a flat surface.
2. Shift vehicle into PARK.
3. Turn key to OFF position and remove key.

FRONT ROOF LINER REMOVAL

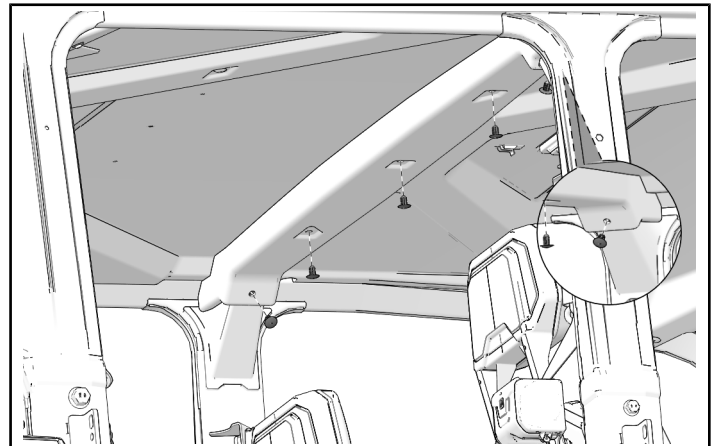
1. Remove and keep six push dart clips from front edge of liner.



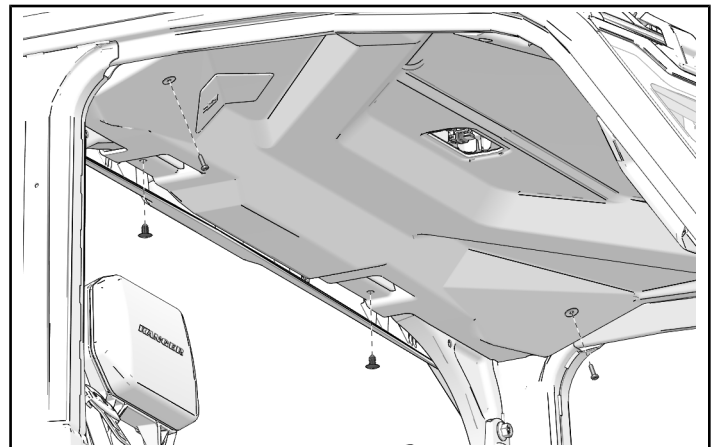
2. Remove two screws from middle of front roof liner. If equipped with dome light, remove dome light and disconnect any wiring.



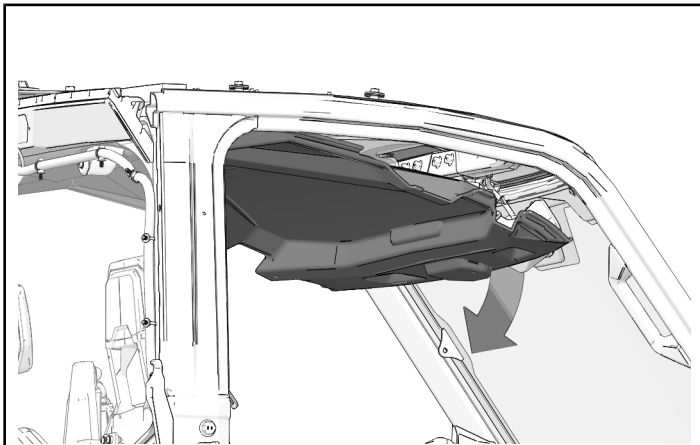
3. Crew Model Only: Remove five push dart clips from back of front roof liner.



4. Three-passenger Vehicle Only: Remove two screws and two push dart clips from rear of front liner.



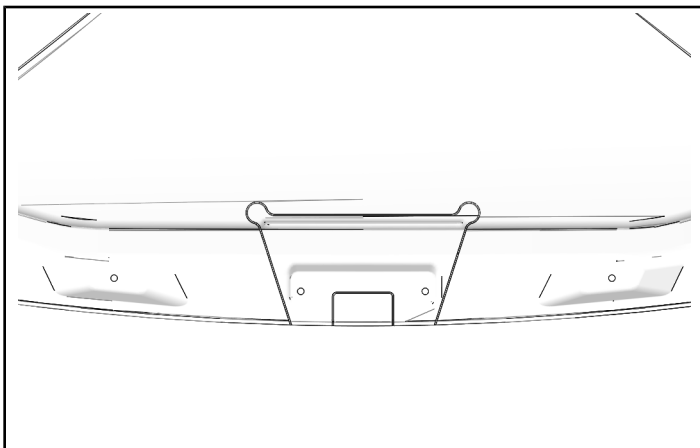
5. Pull front of roof liner down to remove from roof.



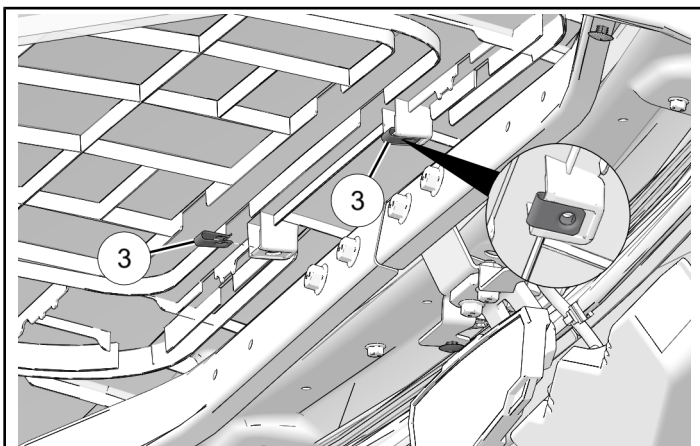
ACCESSORY INSTALLATION

SWITCH PANEL PREPARATION

1. Cut out etching on front roof liner using utility knife or cutting tool. Discard cut piece.



2. Install two U-nuts (3) into front roof cutouts.



3. Route desired harnesses if needed. Refer to specific accessory instructions on how to install harness.

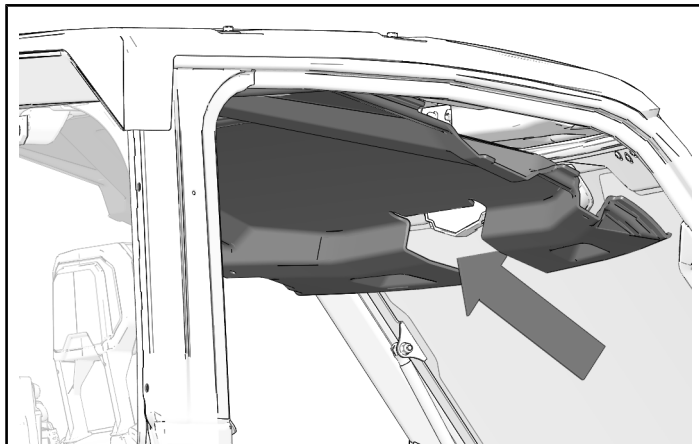
VEHICLE REASSEMBLY

FRONT ROOF LINER INSTALLATION

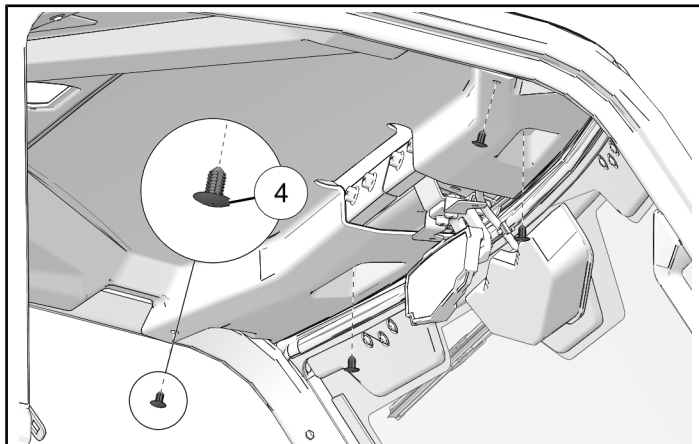
NOTICE

Replace damaged push dart clips with new push dart clips (4).

1. Install rear of roof liner then lift front into place.



2. Install four push dart clips (4) at front of roof liner.



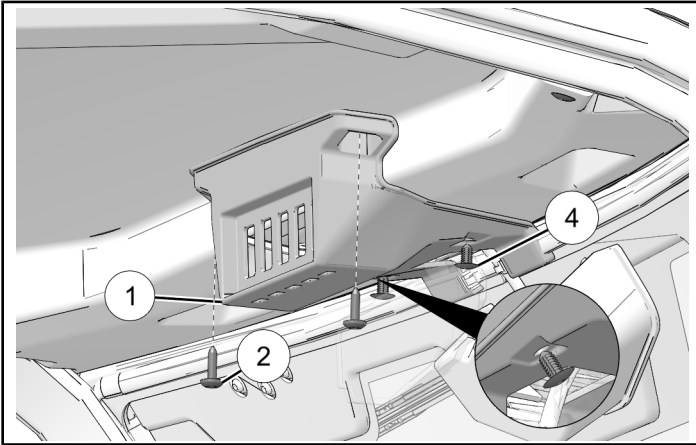
3. Install switch panel ① onto roof liner with two push dart clips ④ and two screws ②. Torque screws to specification.

TORQUE

Screws ②:
31 in-lbs (3.5 N·m)

NOTICE

Refer to specific accessory instructions on switch installation and connection on switch panel.



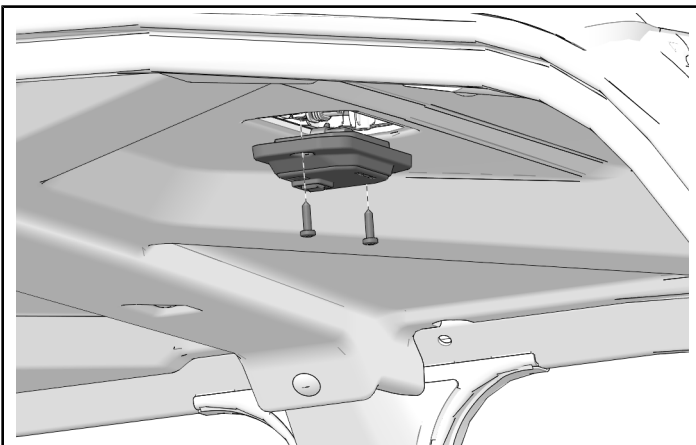
4. If vehicle is equipped with dome light, connect dome light and install onto roof liner with two screws. Torque two screws to specification

NOTICE

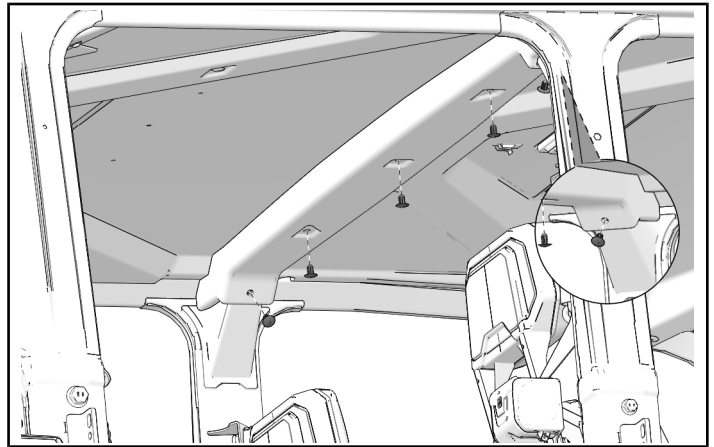
Vehicles without dome light will still have two screws.

TORQUE

Screws:
17 in-lbs (2 N·m)



5. Crew Model Only: Install five push dart clips from back of front roof liner.



6. Three-passenger Model Only: Install two screws and two push dart clips from rear of front liner. Torque screws to specification.

TORQUE

Screws:
22 in-lbs (2.5 N·m)

