

XPEDITION RIDE COMMAND+ PLUG-IN MOUNT KIT



P/N 2889796

BEFORE YOU BEGIN

Read these instructions and check to be sure all parts and tools are accounted for. Please retain these installation instructions for future reference and parts ordering information.

APPLICATION

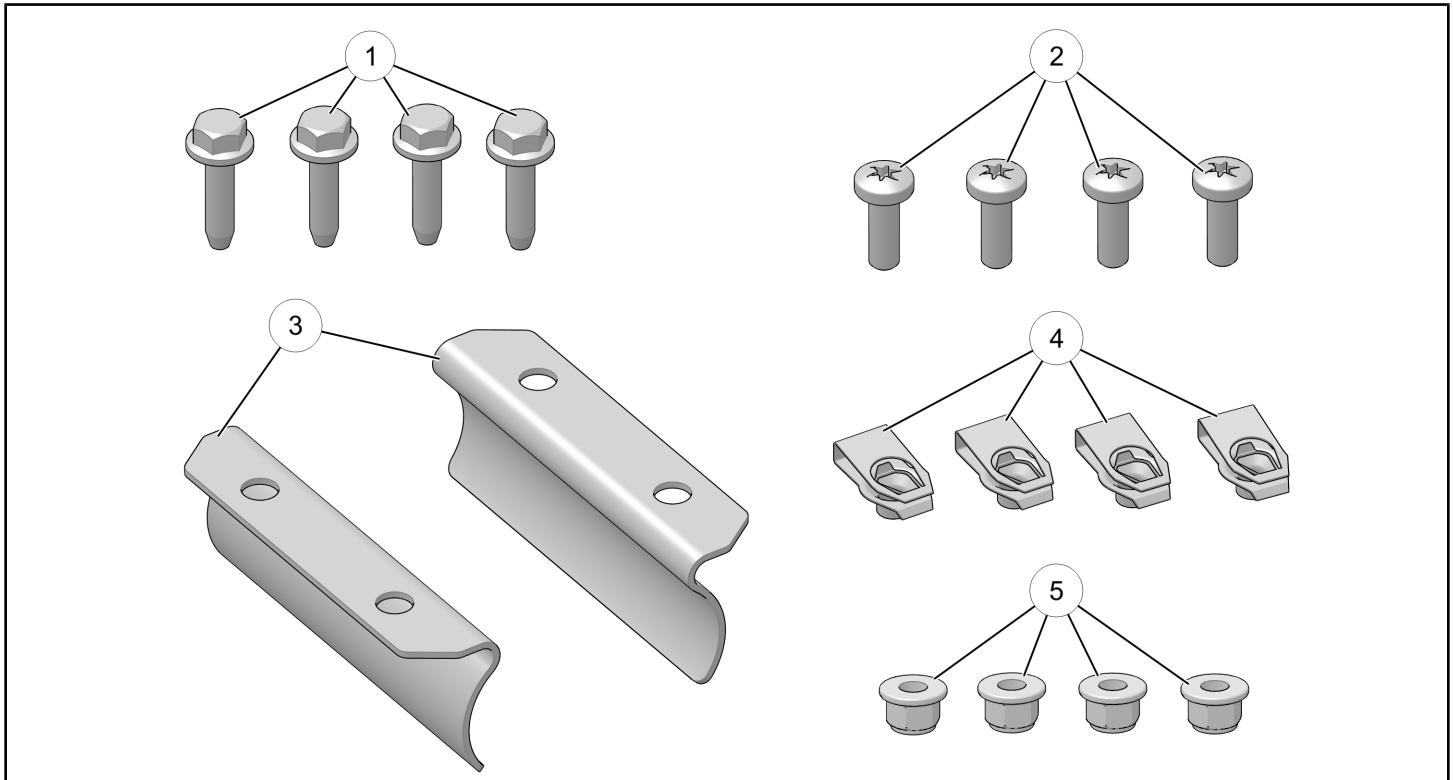
Verify accessory fitment at www.polaris.com.

REQUIRED SOLD SEPARATELY

Only parts for installation of the Xpedition RIDE COMMAND+ Plug-In Mount Kit are included. For complete installation, the following additional kit is required (sold separately):

- RIDE COMMAND+ Plug-In 500k, P/N 2890039
- Polaris® application is required (available in Android and Apple app stores. Search “Polaris®”).

KIT CONTENTS



REF	QTY	PART DESCRIPTION	P/N AVAILABLE SEPARATELY
1	4	Screw — Thread Former Hex Flange Head #14 X .75 mm	7519342
2	4	Screw — Torx® Drive Pan Head M6 X 1.0 X 25 mm (Not Used)	7519731
3	2	Bracket (Not Used)	n/a

REF	QTY	PART DESCRIPTION	P/N AVAILABLE SEPARATELY
4	4	U-Clip M8 X 1.0 mm (Not Used)	7547366
5	4	Nut — Flange M6 mm (Not Used)	7547274

TOOLS REQUIRED

- Safety Glasses
- Screwdriver Set, Torx®
- Socket Set, Hex Bit, Metric
- Socket Set, Metric

IMPORTANT

Your Xpedition RIDE COMMAND+ Plug-In Mount Kit is exclusively designed for your vehicle. Please read the installation instructions thoroughly before beginning. Installation is easier if the vehicle is clean and free of debris. For your safety, and to ensure a satisfactory installation, perform all installation steps correctly in the sequence shown.

INSTALLATION INSTRUCTIONS

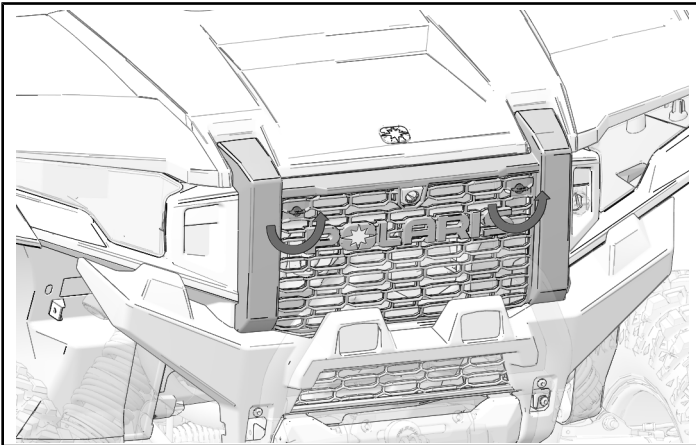
VEHICLE PREPARATION

GENERAL

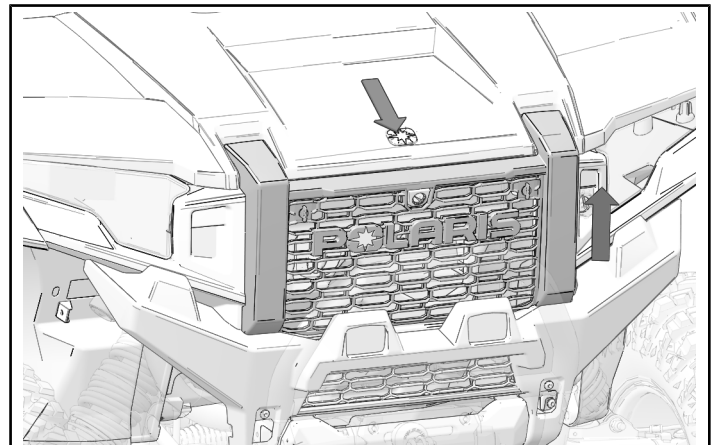
1. Park vehicle on a flat surface.
2. Shift vehicle into PARK.
3. Turn key to OFF position and remove key.

GRILL AND HOOD REMOVAL

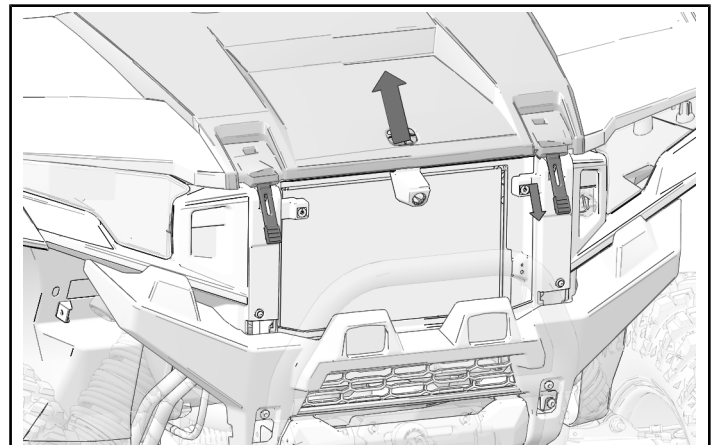
1. Turn each stud one-quarter of a turn to release the grill.



2. Pull the top of the grill forward and then lift up to remove the grill.



3. Unhook the rubber straps for the hood. Lift the hood to remove.

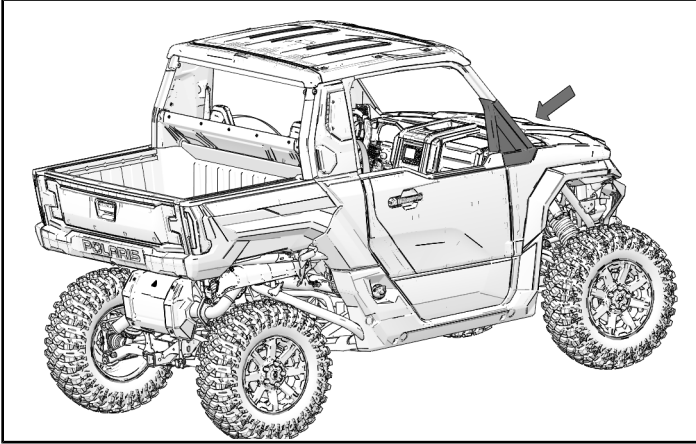


RIGHT SIDE OUTER SAIL PANEL REMOVAL

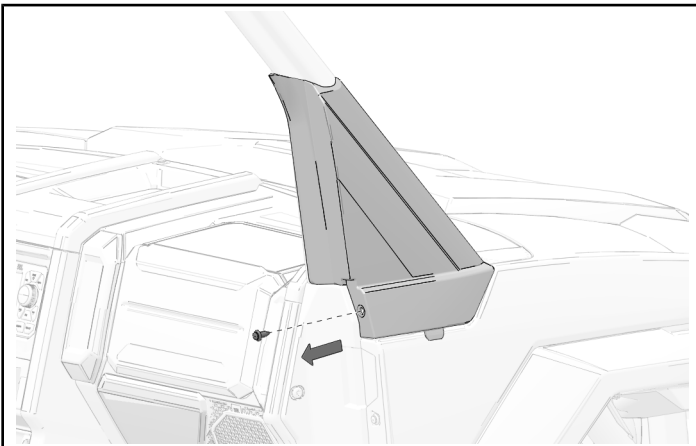
NOTICE

If vehicle is equipped with full or half door, the door must be fully opened to remove or install the outer sail panel.

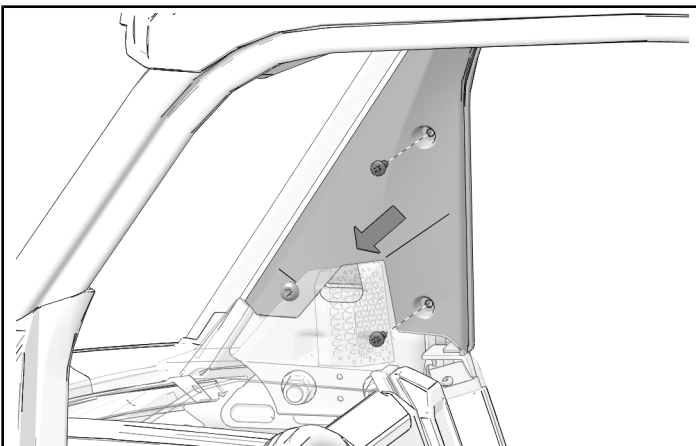
1. Locate sail panel on vehicle.



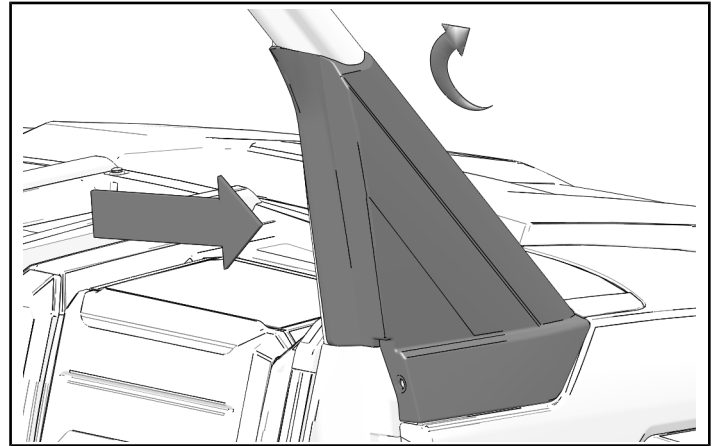
2. Remove and keep push-pin rivet from the rear of the panel.



3. Remove and keep two screws from the inner panel.

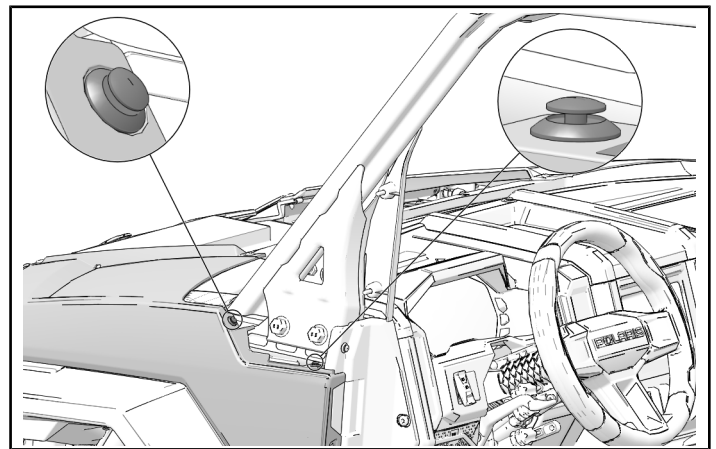
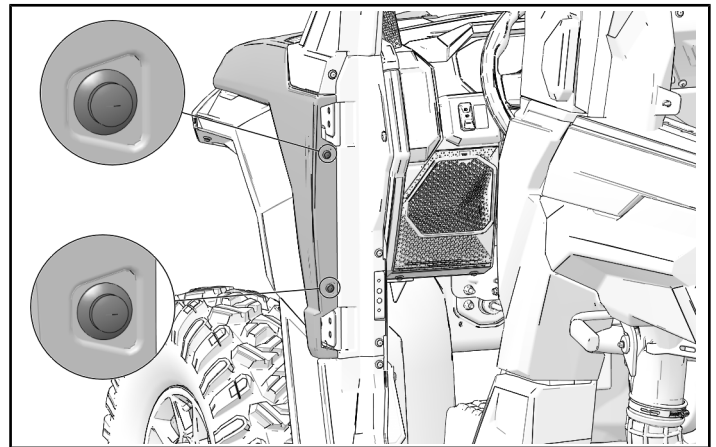


4. Pull outer sail panel outward, and rotate inner and outer sail panels toward the front of the vehicle. Remove outer sail panel only.

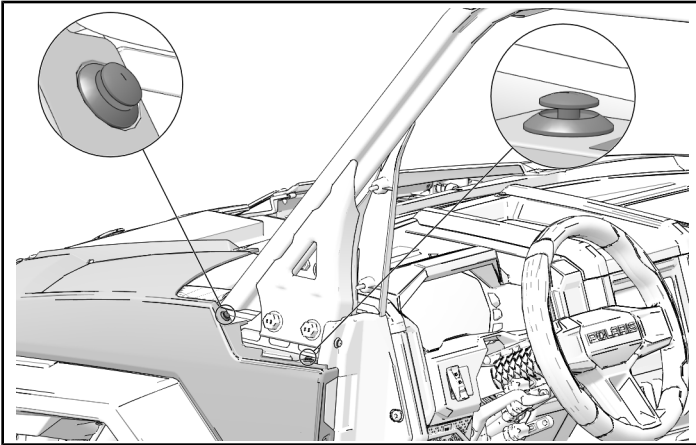


LEFT FRONT FENDER REMOVAL

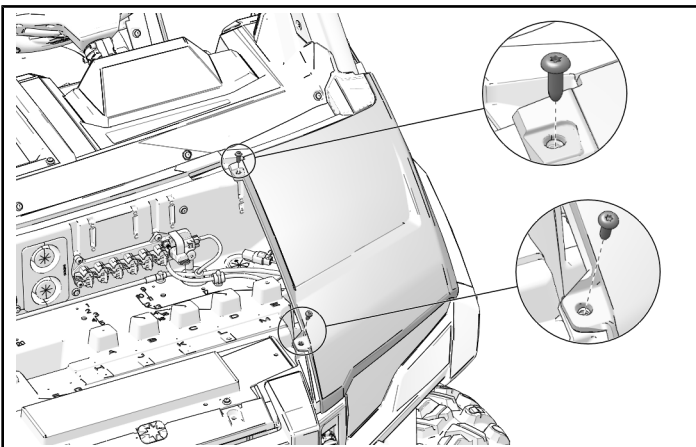
1. Open left front door.
2. Remove and keep two push pin rivets from rear edge of front fender.



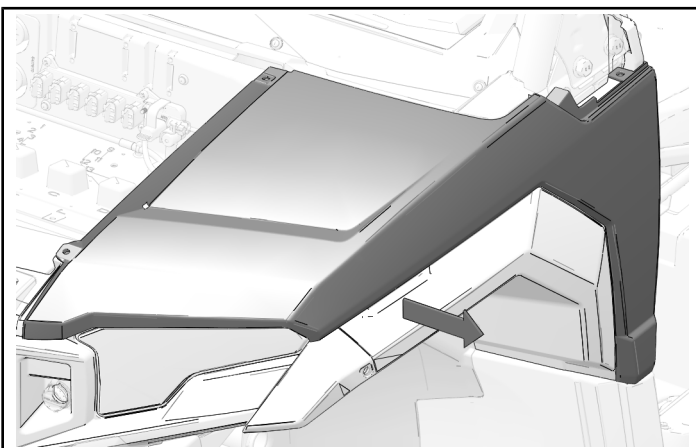
- Remove and keep two push pin rivets from top of front fender.



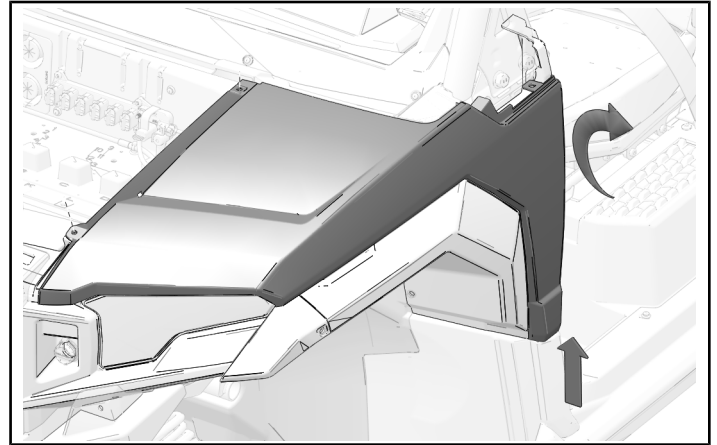
- Remove and keep two screws from front fender.



- Pull fender outward to disengage upper tabs.



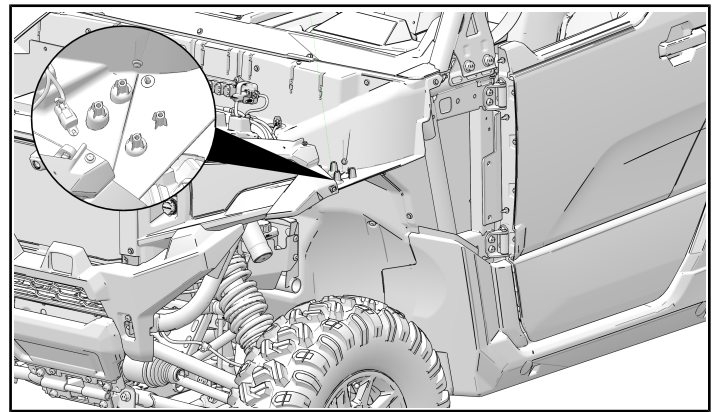
- Rotate fender and lift to disengage lower tab and remove fender.



ACCESSORY INSTALLATION

RIDE COMMAND+ PLUG-IN (SOLD SEPARATELY) INSTALLATION

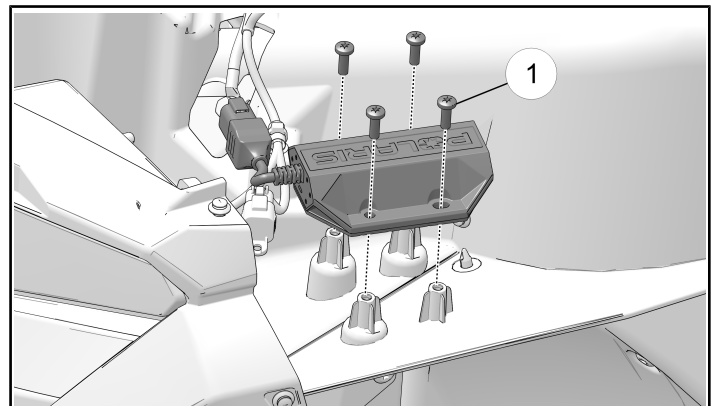
- Find four posts under left fender.



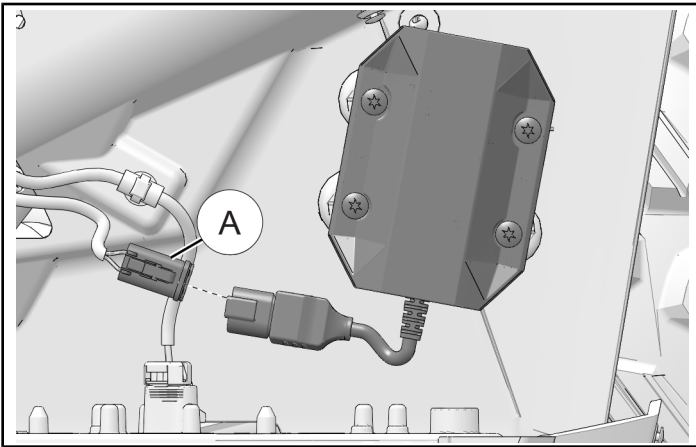
- Install RIDE COMMAND+ Plug-In with four screws
①. Torque to specification.

TORQUE

Screw ①:
22 in-lbs (3 N·m)



3. Connect RIDE COMMAND+ Plug-In to chassis harness **6F**.



3. Install two previously removed screws. Torque to specification

TIP

M6 screw is for front hole. #14 screw is for hole closer to dashboard.

TORQUE

#14 Fender Screw:
30 in-lbs (3.4 N-m)

TORQUE

M6 Fender Screw:
40 in-lbs (4.5 N-m)

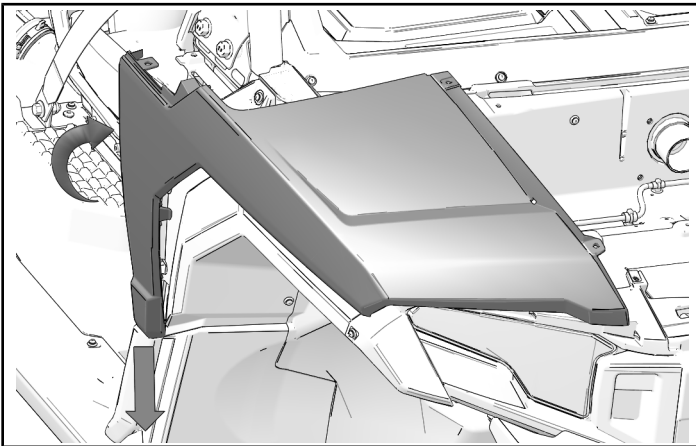
VEHICLE REASSEMBLY

FRONT FENDER INSTALLATION

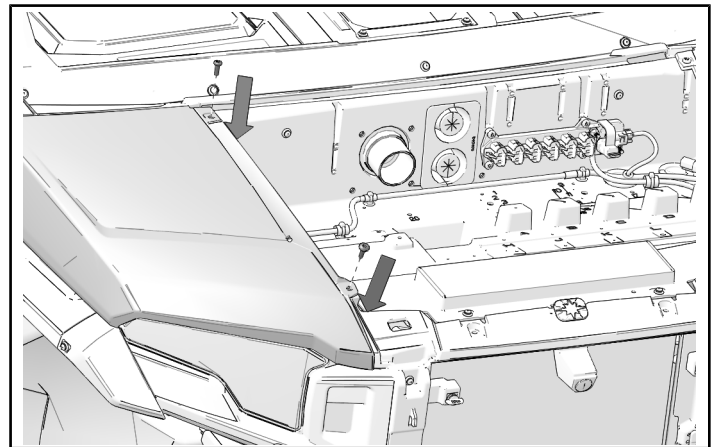
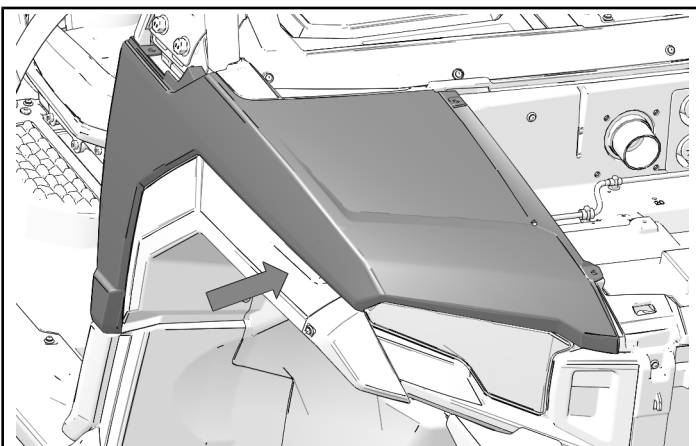
NOTICE

Right side shown, left side similar.

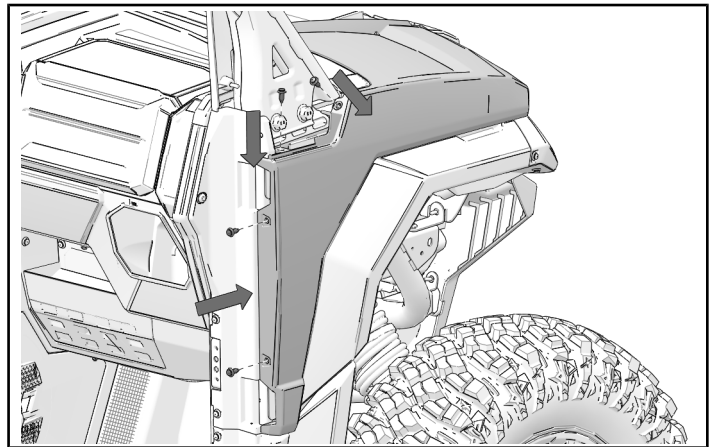
1. Insert lower tab into opening. Rotate top of fender toward vehicle.



2. Push fender inward to engage upper tabs.



4. Install four push pin rivets.

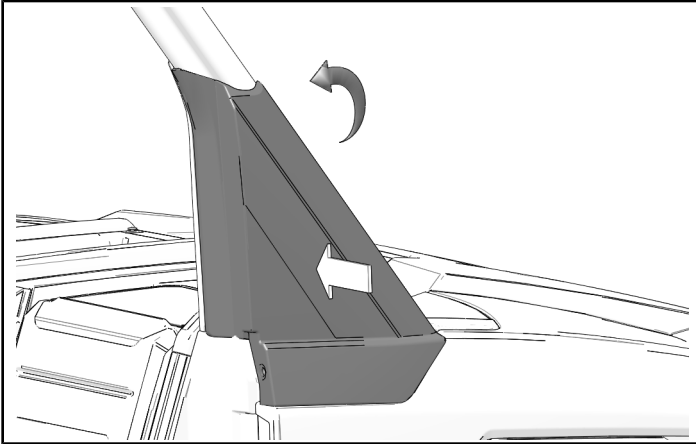


RIGHT SIDE SAIL PANEL INSTALLATION

1. Insert front edge of outer sail panel. Push panel inward and rotate outer and inner sail panels toward the rear to install.

NOTICE

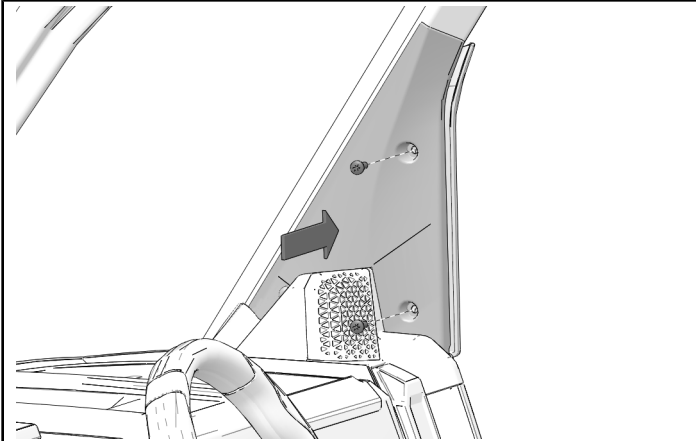
Right side shown, left side similar.



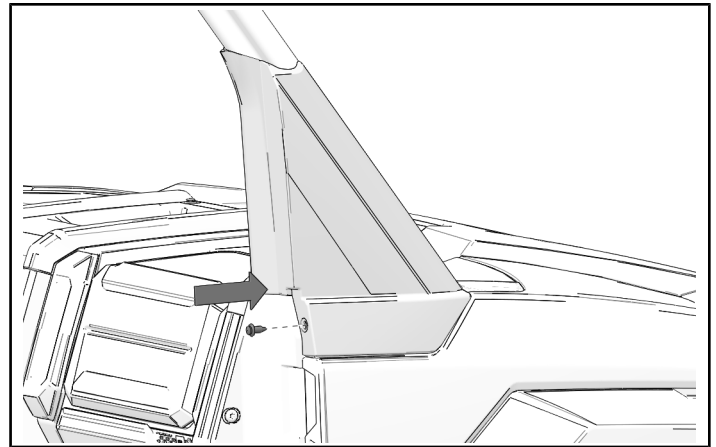
2. Install two screws. Tighten screws to specification.

TORQUE

Screws:
22 in-lbs (2.5 N·m)

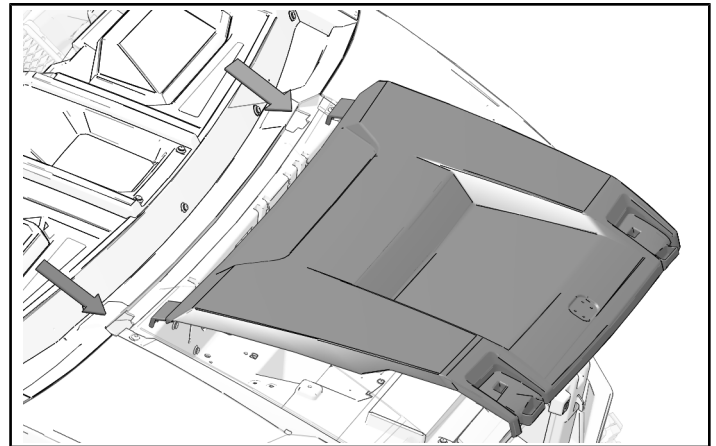


3. Install push-pin rivet.

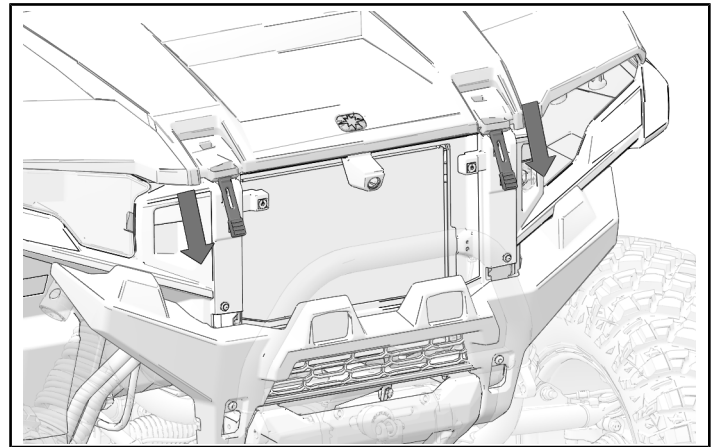


HOOD AND GRILL INSTALLATION

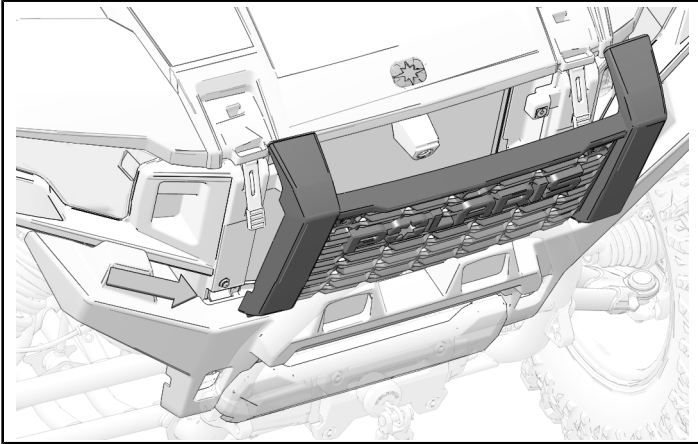
1. Insert the tabs on the hood through the openings in the underhood liner. Then lower the hood into position.



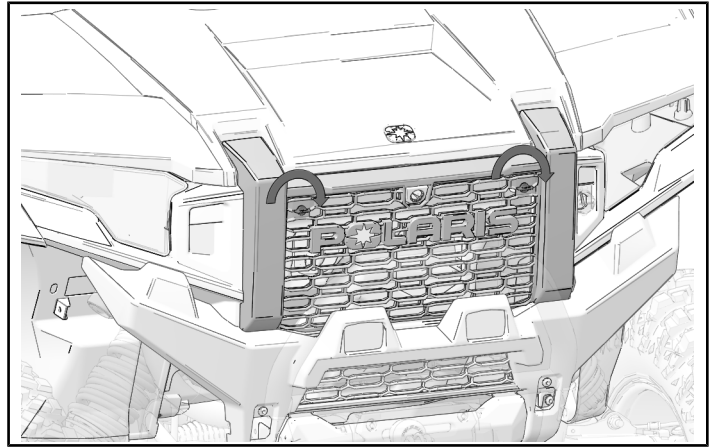
2. Pull the rubber straps down over the hooks to secure the hood.



3. Insert tabs on the grill through the openings in the front fascia. Push the top of the grill into the proper position.



4. Push each stud in and turn one-quarter turn clockwise to secure the grill.



OPERATION

POLARIS® APP

Download the Polaris® App for the Apple or Android device that will be used with RIDE COMMAND+ Plug-In device. Follow the setup procedure in the app.



INSTRUCTION FEEDBACK FORM

A feedback form has been created for the installer to provide any comments, questions or concerns about the installation instructions. The form is viewable on mobile devices by scanning the QR code or by clicking [HERE](#) if viewing on a PC.

