

# RZR XP 1000 RIDE COMMAND+ PLUG-IN MOUNT KIT



P/N 2889796

## BEFORE YOU BEGIN

Read these instructions and check to be sure all parts and tools are accounted for. Please retain these installation instructions for future reference and parts ordering information.

## APPLICATION

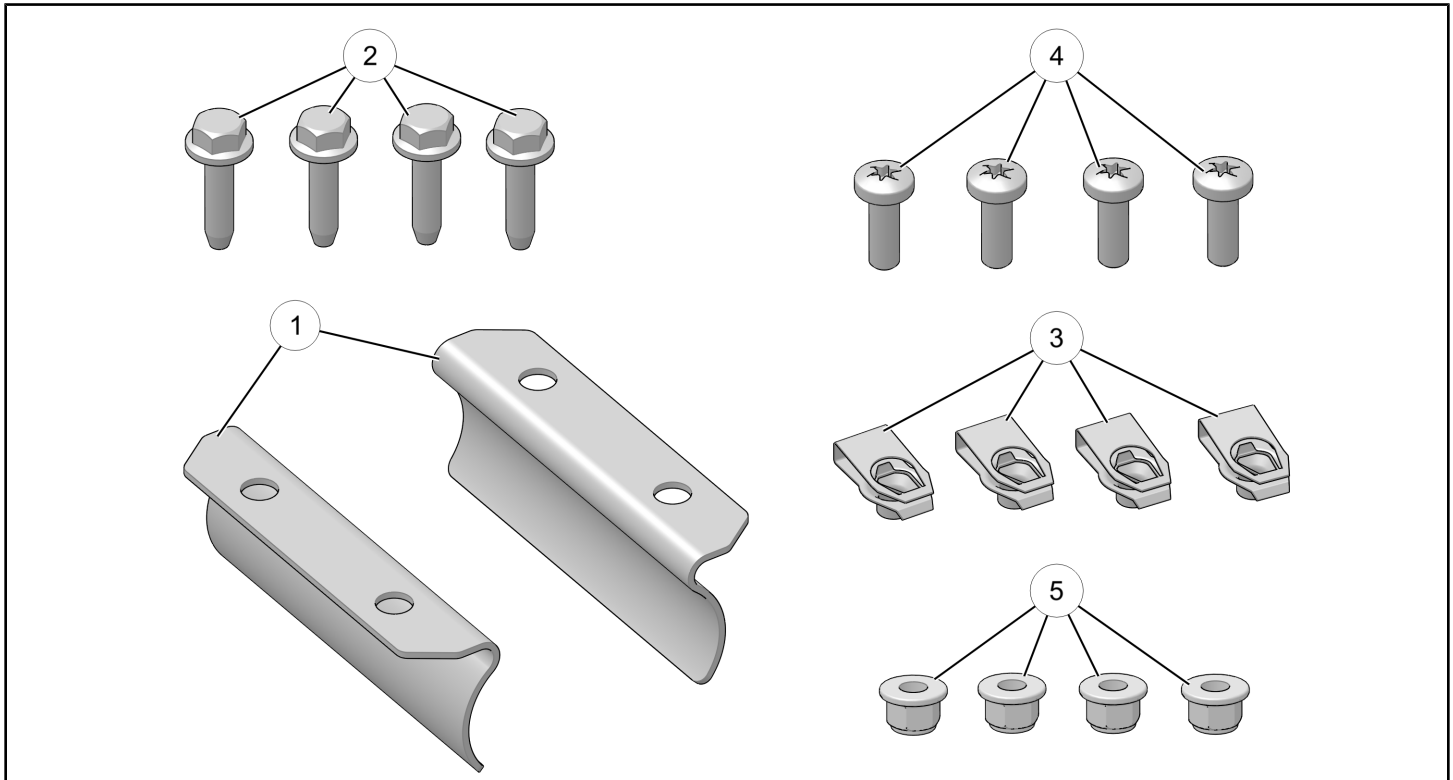
Verify accessory fitment at [www.polaris.com](http://www.polaris.com).

## REQUIRED SOLD SEPARATELY

Only parts for installation of the RZR XP 1000 RIDE COMMAND+ Plug-In Mount Kit are included. For complete installation, the following additional kit is required (sold separately):

- RIDE COMMAND+ Plug-In 500k, P/N 2890039
- Polaris® application is required (available in Android and Apple app stores. Search “Polaris®”).

## KIT CONTENTS



REF	QTY	PART DESCRIPTION	P/N AVAILABLE SEPARATELY
1	2	Bracket	n/a
2	4	Screw — Thread Former Hex Flange Head M6 X1.0 X 25 mm	7519342
3	4	U-Clip M6 X 1.0 mm	7547366

REF	QTY	PART DESCRIPTION	P/N AVAILABLE SEPARATELY
4	4	Screw — Torx® Drive Pan Head #14 X .75 in (Not Used)	7519731
5	4	Nut — Flange M6 mm (Not Used)	7547274

## TOOLS REQUIRED

- Safety Glasses
- Screwdriver Set, Torx®
- Socket Set, Hex Bit, Metric
- Socket Set, Metric

## IMPORTANT

Your RZR XP 1000 RIDE COMMAND+ Plug-In Mount Kit is exclusively designed for your vehicle. Please read the installation instructions thoroughly before beginning. Installation is easier if the vehicle is clean and free of debris. For your safety, and to ensure a satisfactory installation, perform all installation steps correctly in the sequence shown.

## INSTALLATION INSTRUCTIONS

### VEHICLE PREPARATION

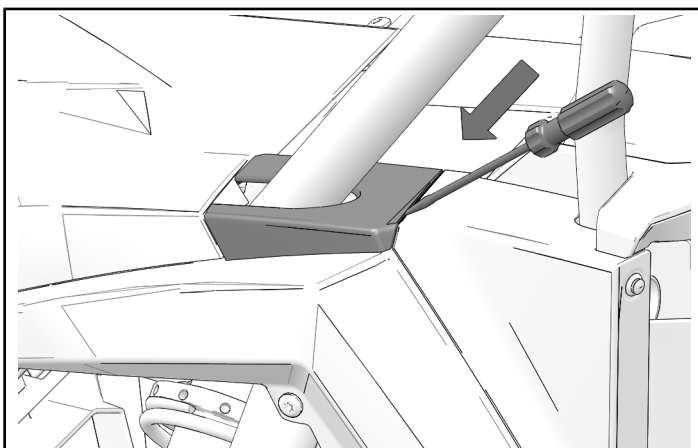
#### GENERAL

1. Park vehicle on a flat surface.
2. Shift vehicle into PARK.
3. Turn key to OFF position and remove key.

#### OUTER HOOD REMOVAL

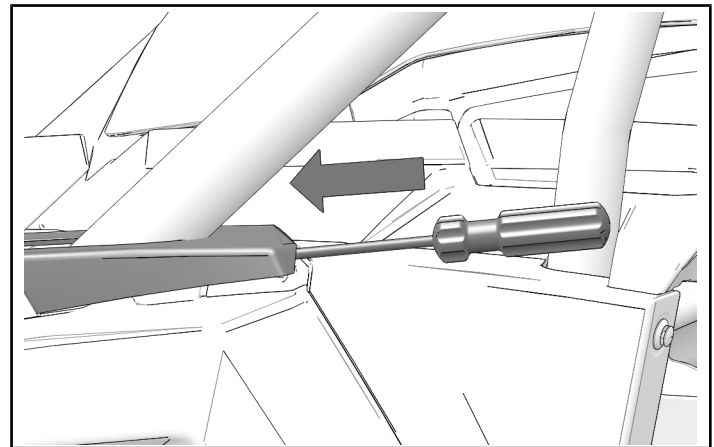
1. Gently insert flat head screwdriver under rear seam of front pocket fender.

**NOTICE**  
Left side shown, right side similar.



2. Slide flat head screwdriver under front pocket fender.

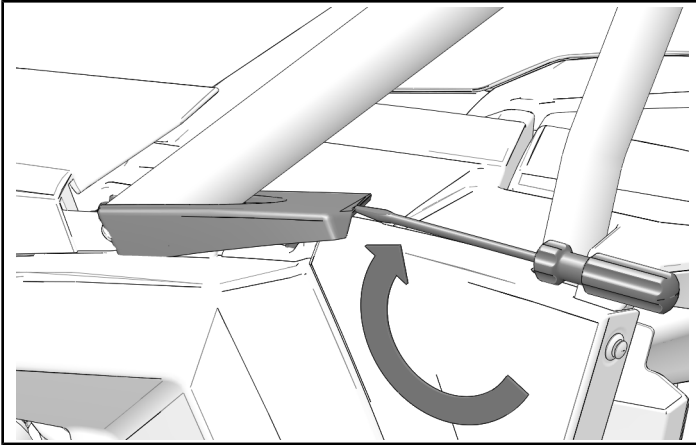
**NOTICE**  
Left side shown, right side similar.



3. Gently lift screwdriver upward to free front pocket fender from clips.

**NOTICE**

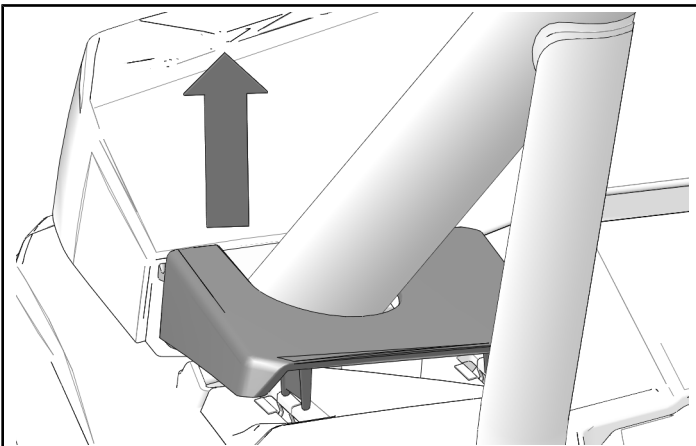
Left side shown, right side similar.



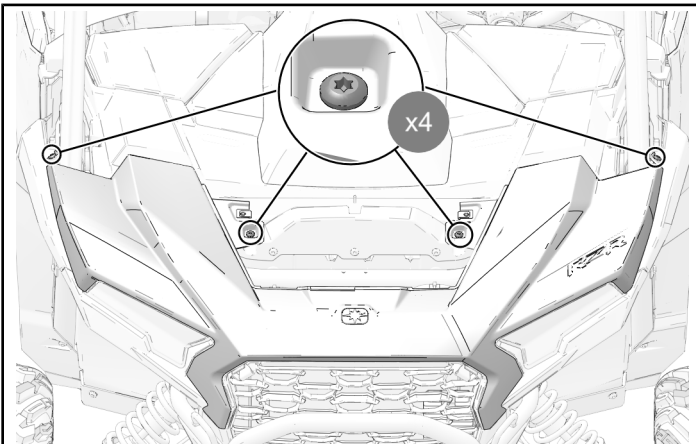
4. Remove and keep front pocket fender.

**NOTICE**

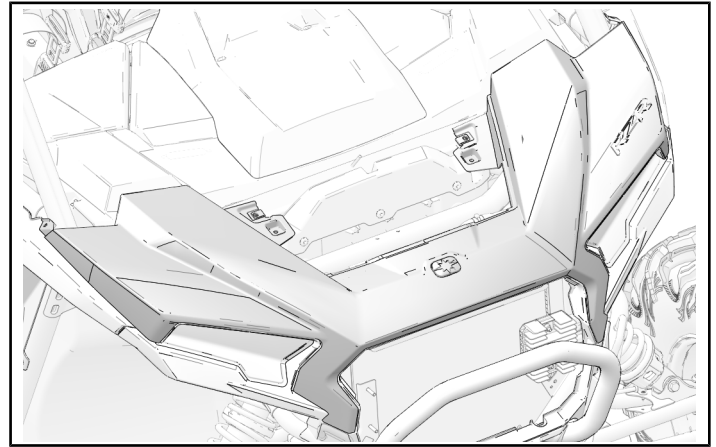
Left side shown, right side similar.



5. Remove and keep four outer hood fasteners.



6. Remove outer hood from vehicle.

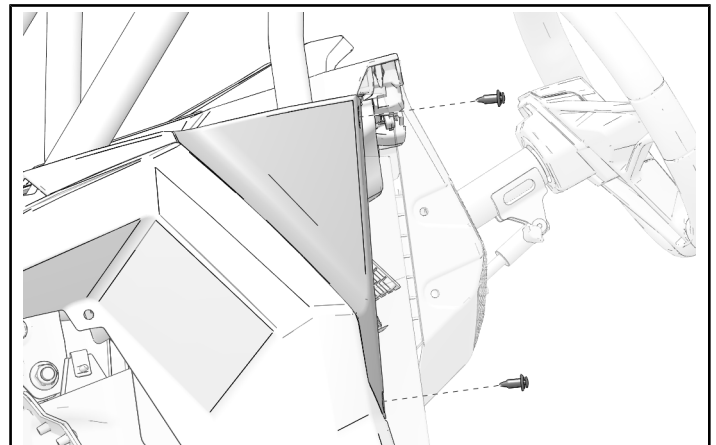


**REAR POCKET FENDER REMOVAL**

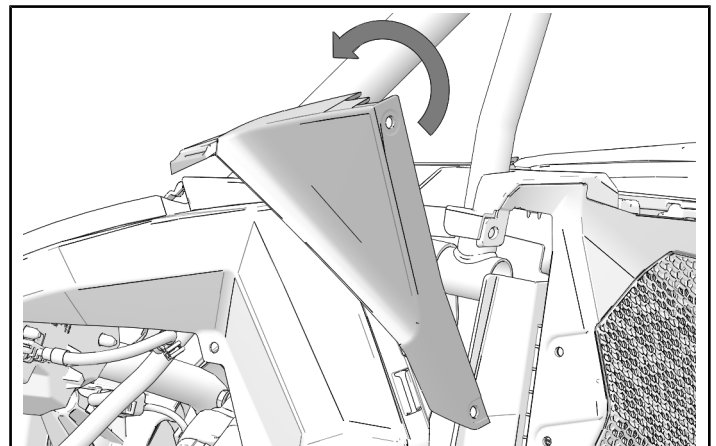
**NOTICE**

Left fender flare shown; right fender flare similar.

1. Remove two push-pin rivets from rear pocket fender.

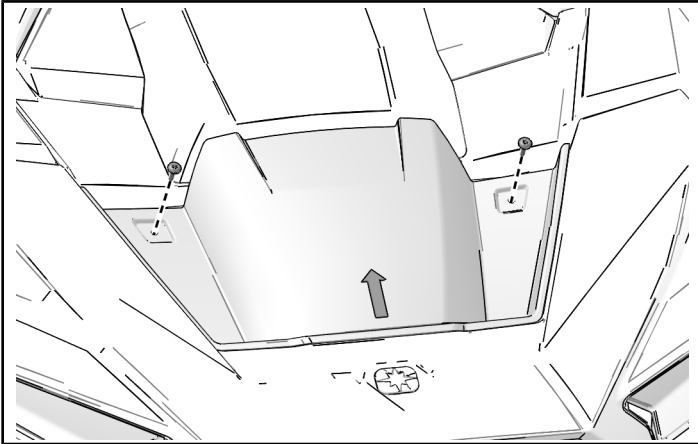


2. Rotate rear pocket fender away from vehicle body and remove.



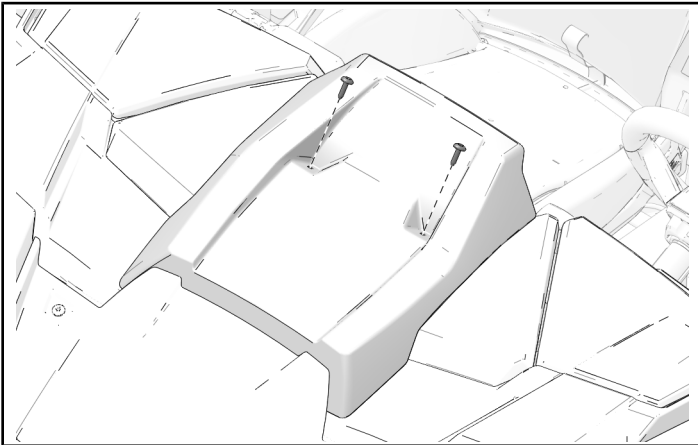
## **CENTER HOOD REMOVAL**

1. Remove two screws. Remove the hood towards the rear.

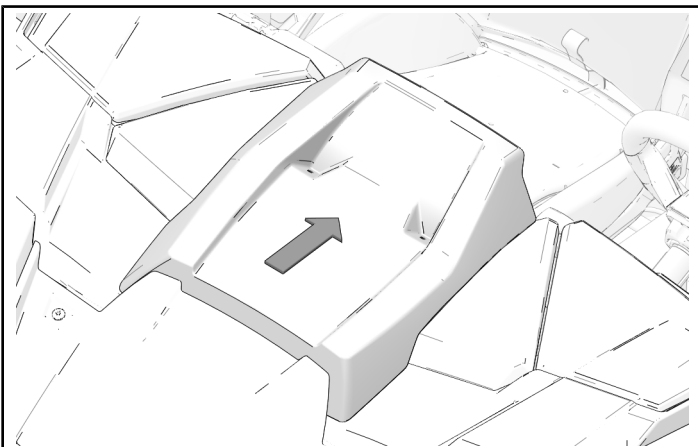


## **CENTER DASHBOARD REMOVAL**

1. Remove and keep two dashboard fasteners.

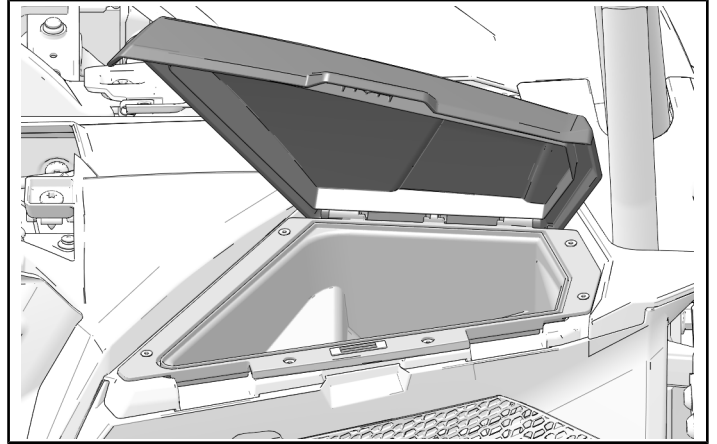


2. Pull panel rearward to remove.

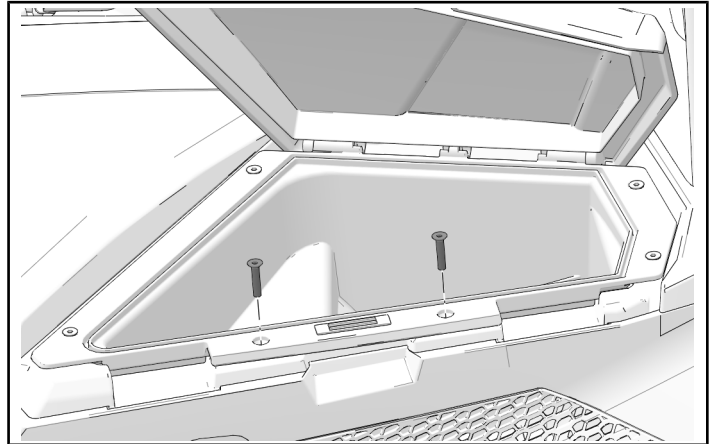


## **UPPER DASHBOARD REMOVAL**

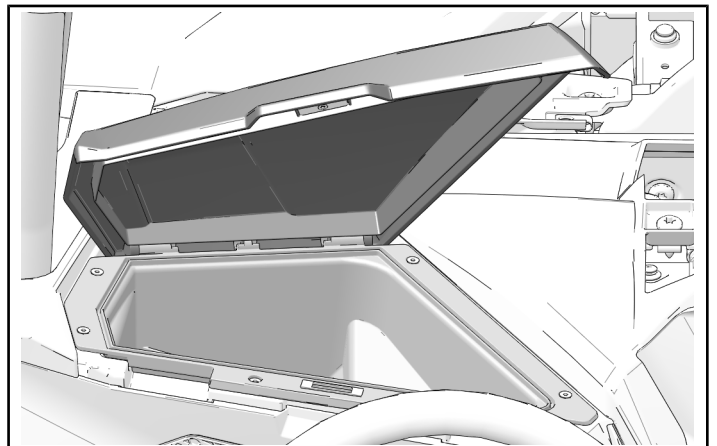
1. Open passenger storage compartment.



2. Remove and keep two storage compartment fasteners.

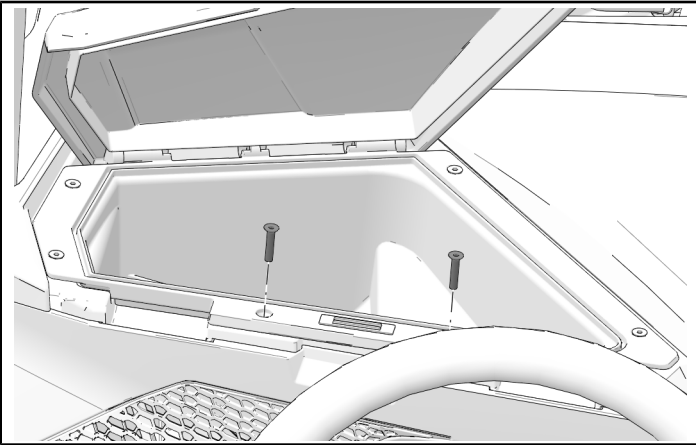


3. Open driver storage compartment.

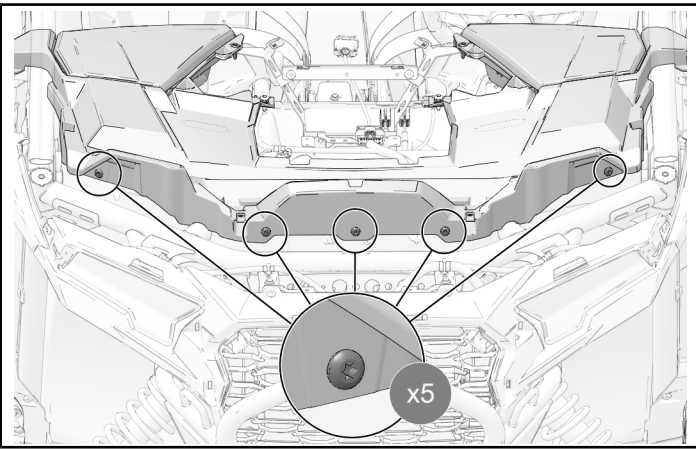




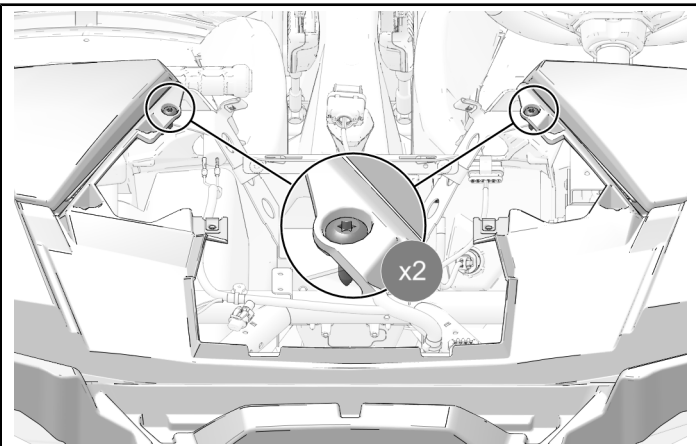
- Remove and keep two storage compartment fasteners.



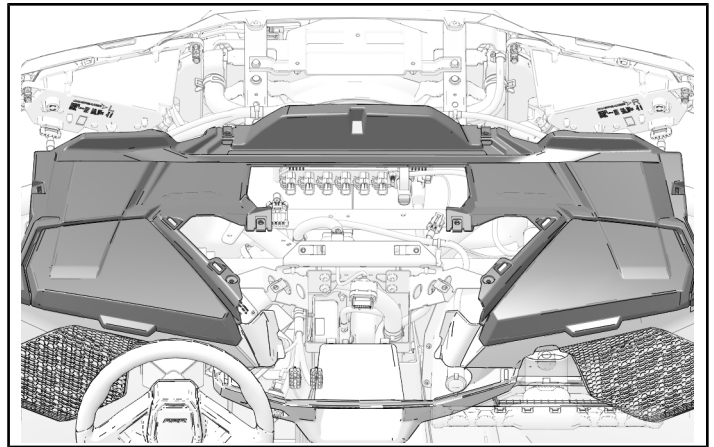
- Remove and keep five fasteners from front of upper dashboard.



- Remove and keep two fasteners from top of upper dashboard.



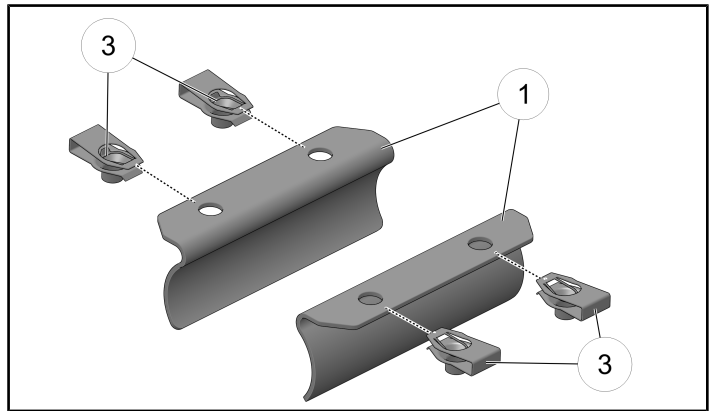
- Remove upper dashboard panel from vehicle.



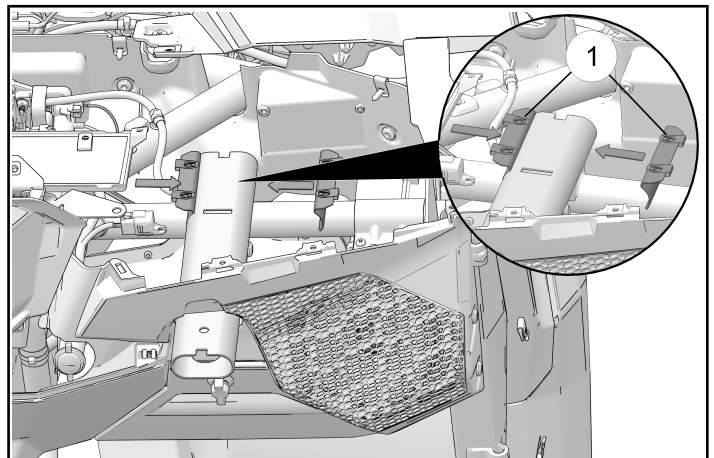
## ACCESSORY INSTALLATION

### INSTALL RIDE COMMAND+ PLUG-IN (SOLD SEPARATELY)

- Install two U-Clips ③ onto each of the two mounting brackets ①.



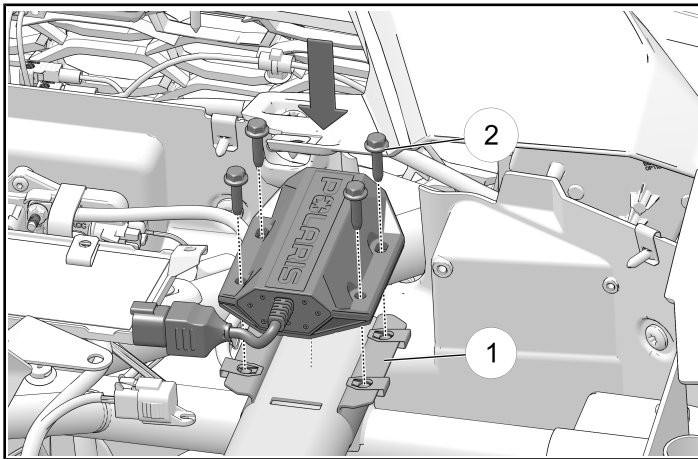
- Put two mounting brackets ① on passenger grab bar mounting tube.



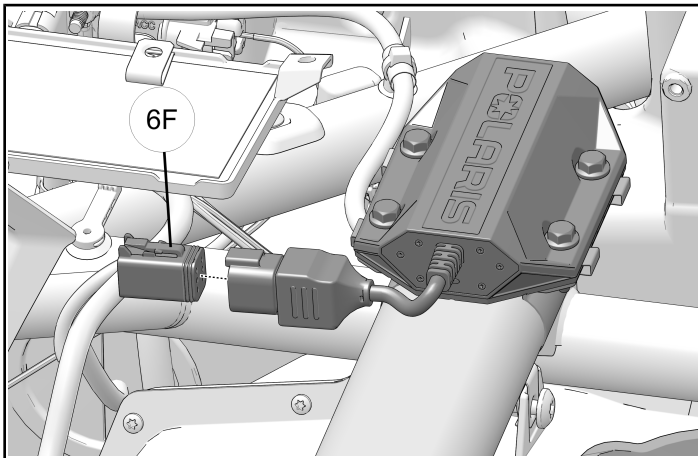
3. Install RIDE COMMAND+ Plug-In on passenger grab bar mounting tube and two mounting brackets ① with four screws ②. Torque to specification.

**TORQUE**

Screws ②:  
**89 in-lbs (10 N·m)**



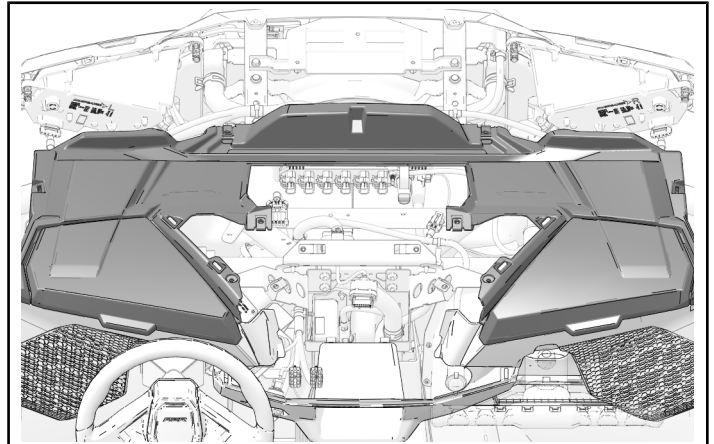
4. Remove cap from 6F main wire harness connector and connect RIDE COMMAND+ Plug-In connector until click is heard. Verify a secure connection by gently pulling on the connector.



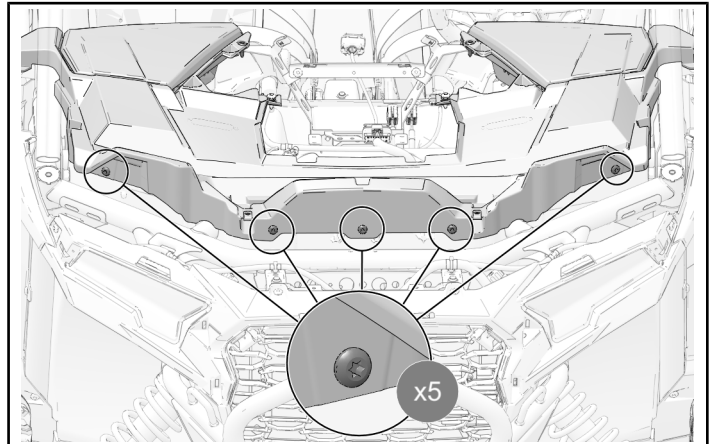
## VEHICLE REASSEMBLY

### UPPER DASHBOARD INSTALLATION

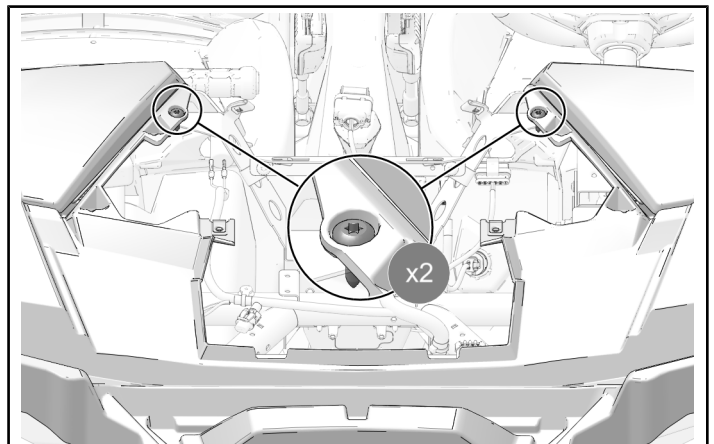
1. Put the upper dashboard panel into the vehicle.



2. Install upper dashboard with five fasteners.



3. Install upper dashboard with two fasteners.

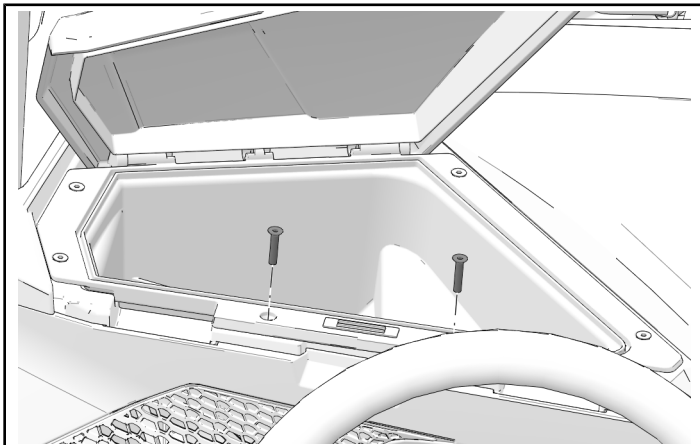


4. Torque the seven dashboard fasteners to specification.

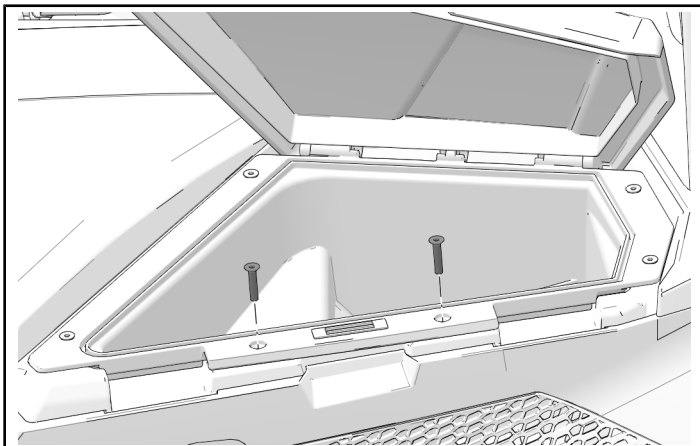
**TORQUE**

Upper Dashboard Fasteners:  
**88 in-lbs (10 N·m)**

5. Install two storage compartment fasteners. Torque fasteners until fully seated.



6. Install two storage compartment fasteners. Torque fasteners until fully seated.

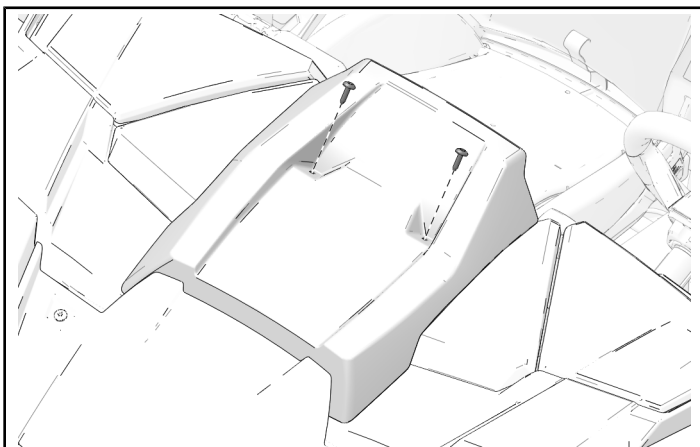


### DASHBOARD CENTER INSTALLATION

1. Install center dashboard panel with two retained fasteners. Torque fasteners to specification.

#### TORQUE

Dashboard Fasteners:  
**88 in-lbs (10 N·m)**

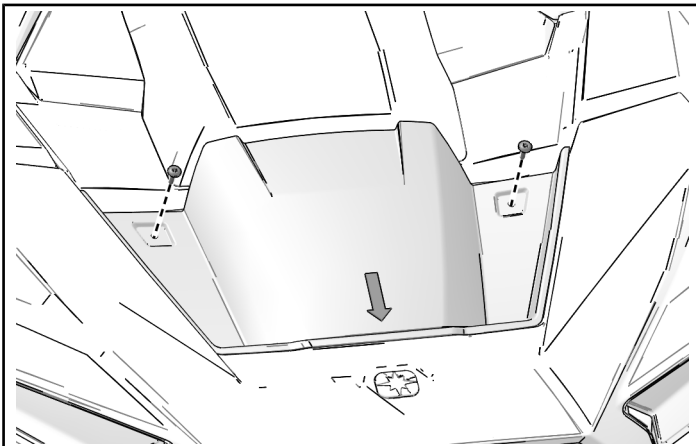


### CENTER HOOD INSTALLATION

1. Install center hood from the rear of the vehicle. Install screws.

#### TORQUE

Screws:  
**88 in-lbs (10 N·m)**

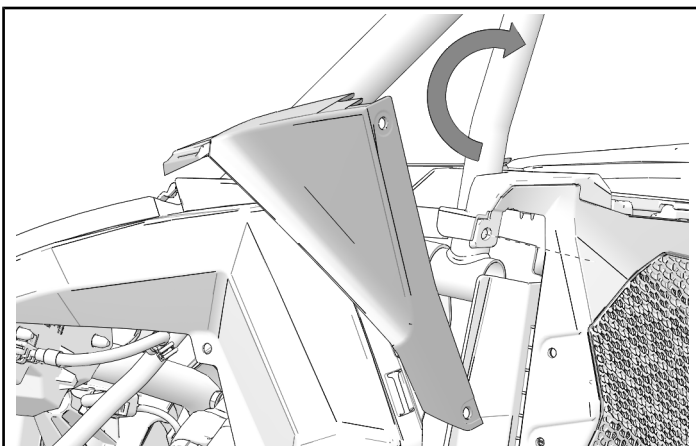


### REAR POCKET FENDER INSTALLATION

#### NOTICE

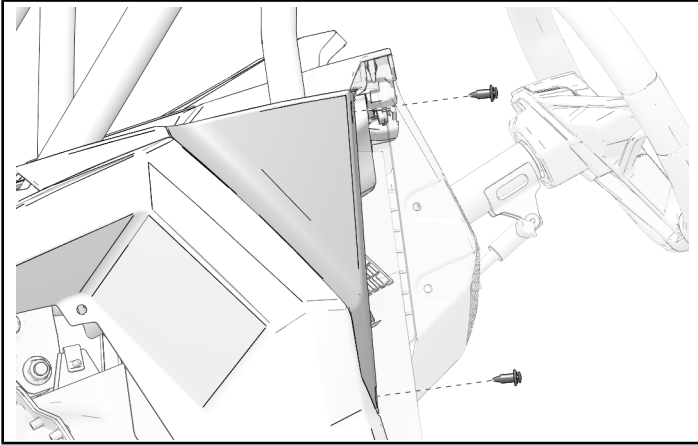
Left fender flare shown; right fender flare similar.

1. Rotate rear pocket fender towards vehicle body and slide into place.



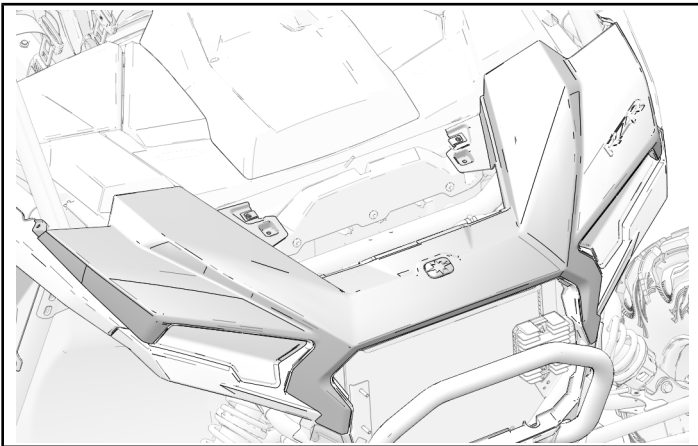


2. Attach rear pocket fender to vehicle using two push-pin rivets.



### OUTER HOOD INSTALLATION

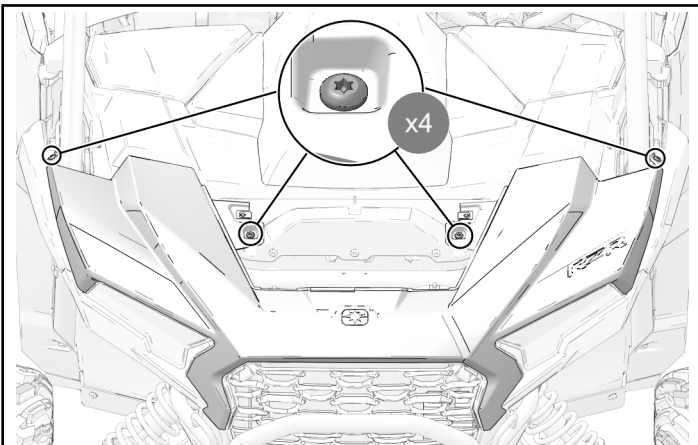
1. Put outer hood on vehicle in installed position.



2. Install outer hood fasteners with four retained fasteners. Torque the four fasteners to specification.

#### TORQUE

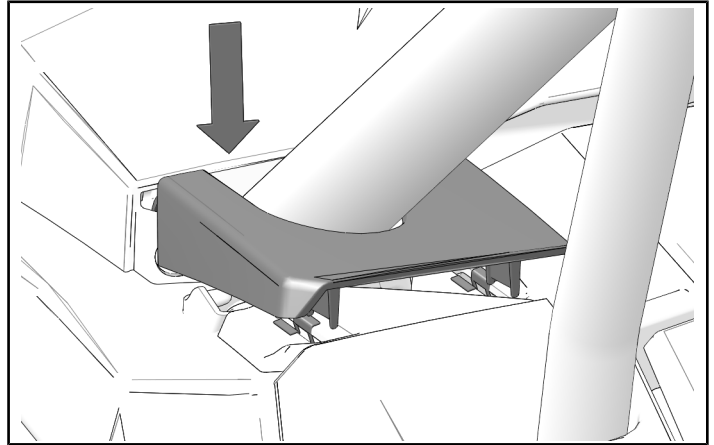
Outer Hood Fasteners  
88 in-lbs (10 N·m)



3. Place front pocket fender around ROPS bar and into outer hood slots.

#### NOTICE

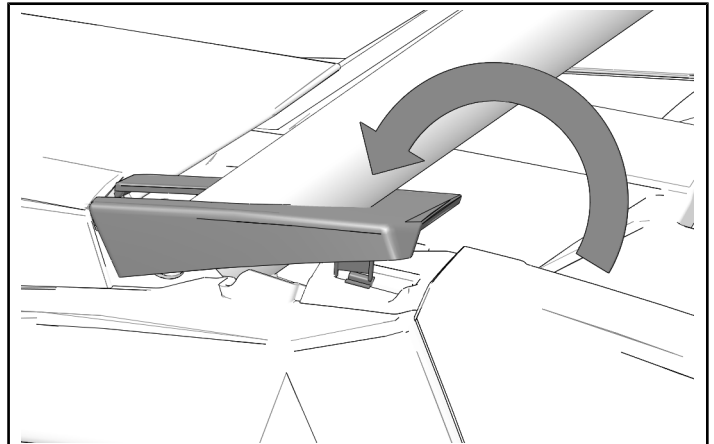
Left side shown, right side similar.



4. Gently push tab into clips until front pocket fender is secure.

#### NOTICE

Left side shown, right side similar.



## OPERATION

### POLARIS® APP

Download the Polaris® App for the Apple or Android device that will be used with RIDE COMMAND+ Plug-In device. Follow the setup procedure in the app.



### INSTRUCTION FEEDBACK FORM

A feedback form has been created for the installer to provide any comments, questions or concerns about the installation instructions. The form is viewable on mobile devices by scanning the QR code or by clicking [HERE](#) if viewing on a PC.

