

84" PLOW BLADE KIT



P/N 2889111

BEFORE YOU BEGIN

Read these instructions and check to be sure all parts and tools are accounted for. Please retain these installation instructions for future reference and parts ordering information.

APPLICATION

Verify accessory fitment at www.polaris.com.

IMPORTANT

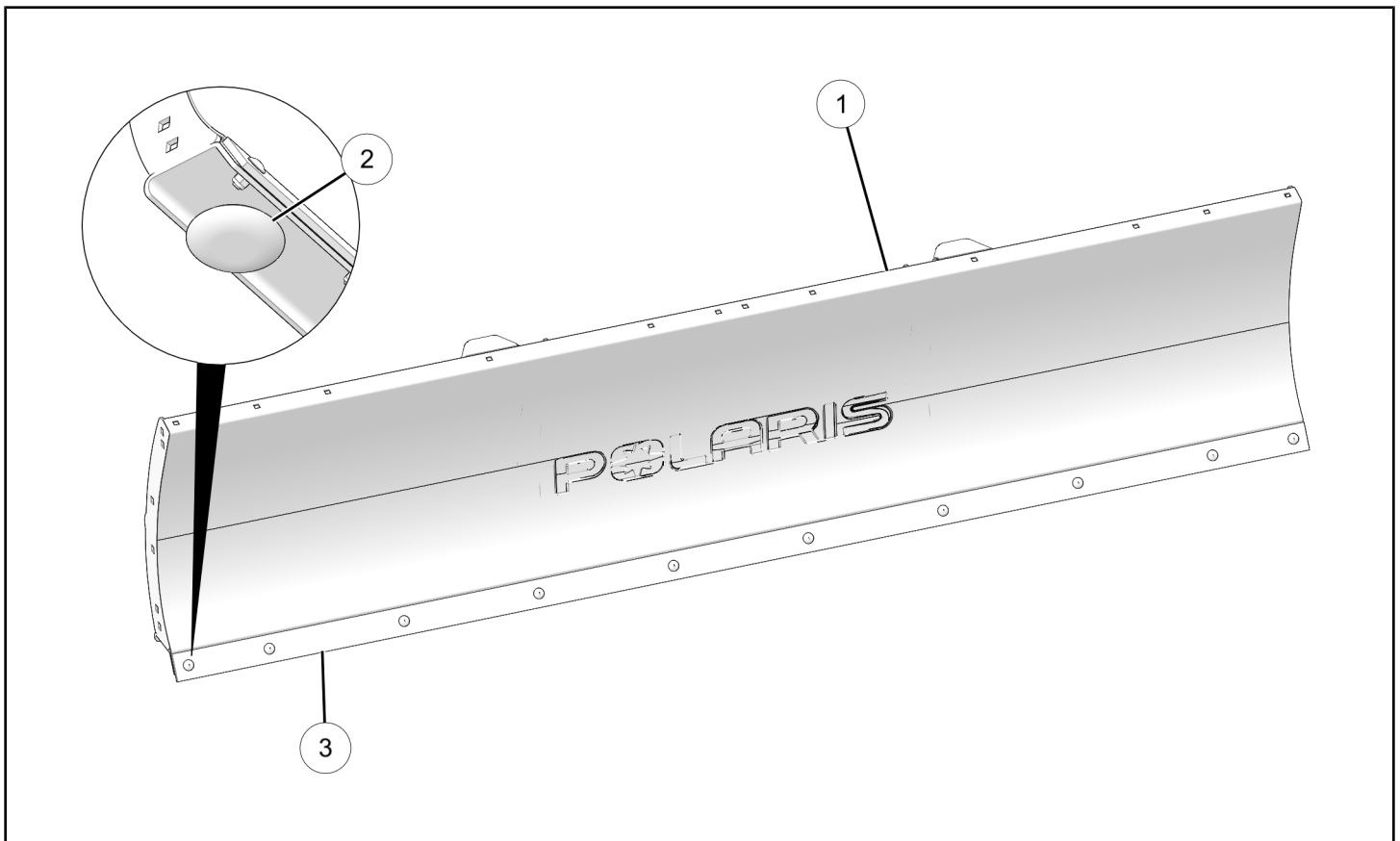
This kit is compatible with plow frame P/N 2889112 only.

REQUIRED SOLD SEPARATELY

Only parts for installation of the 84" Plow Blade Kit are included. Optional installation of the following additional kits are available (sold separately):

- *Plow Markers Kit, P/N 2872726*
- *84" Rubber Snow Deflector Flap Kit, P/N 2889749*
- *Curved Snow Deflector Kit, P/N 2889748*
- *Backdrag Bar 84" Kit, P/N 2889747*

KIT CONTENTS



| REF | QTY | PART DESCRIPTION | P/N AVAILABLE SEPARATELY |
|-----|-----|------------------|--------------------------|
| 1 | 1 | 84" Blade | n/a |
| 2 | 2 | Plow Shoe | 2205223 |
| 3 | 1 | Wear Bar | 2209944 |

TOOLS REQUIRED

- Socket Set, Metric
- Wrench Set, Metric

IMPORTANT

Your 84" Plow Blade Kit is exclusively designed for your vehicle. Please read the installation instructions thoroughly before beginning. Installation is easier if the vehicle is clean and free of debris. For your safety, and to ensure a satisfactory installation, perform all installation steps correctly in the sequence shown.

INSTALLATION INSTRUCTIONS

VEHICLE PREPARATION

GENERAL

1. Park vehicle on a flat surface.
2. Shift vehicle into PARK.
3. Turn key to OFF position and remove key.

ACCESSORY INSTALLATION

NOTICE

Please refer to instruction 9940997 for complete installation of blade onto plow frame.