

# ROOF LIGHTBAR HARNESS KIT



P/N 2889686

## MISSING OR DAMAGED PARTS

Before beginning assembly, inspect the kit and its component(s) to be sure all parts and tools are accounted for and not damaged. If missing parts or parts are damaged, please contact your Selling Dealer for assistance.

If your accessory was purchased online, please contact POLARIS® customer service at **1-800-POLARIS** (US & Canada only).

## APPLICATION

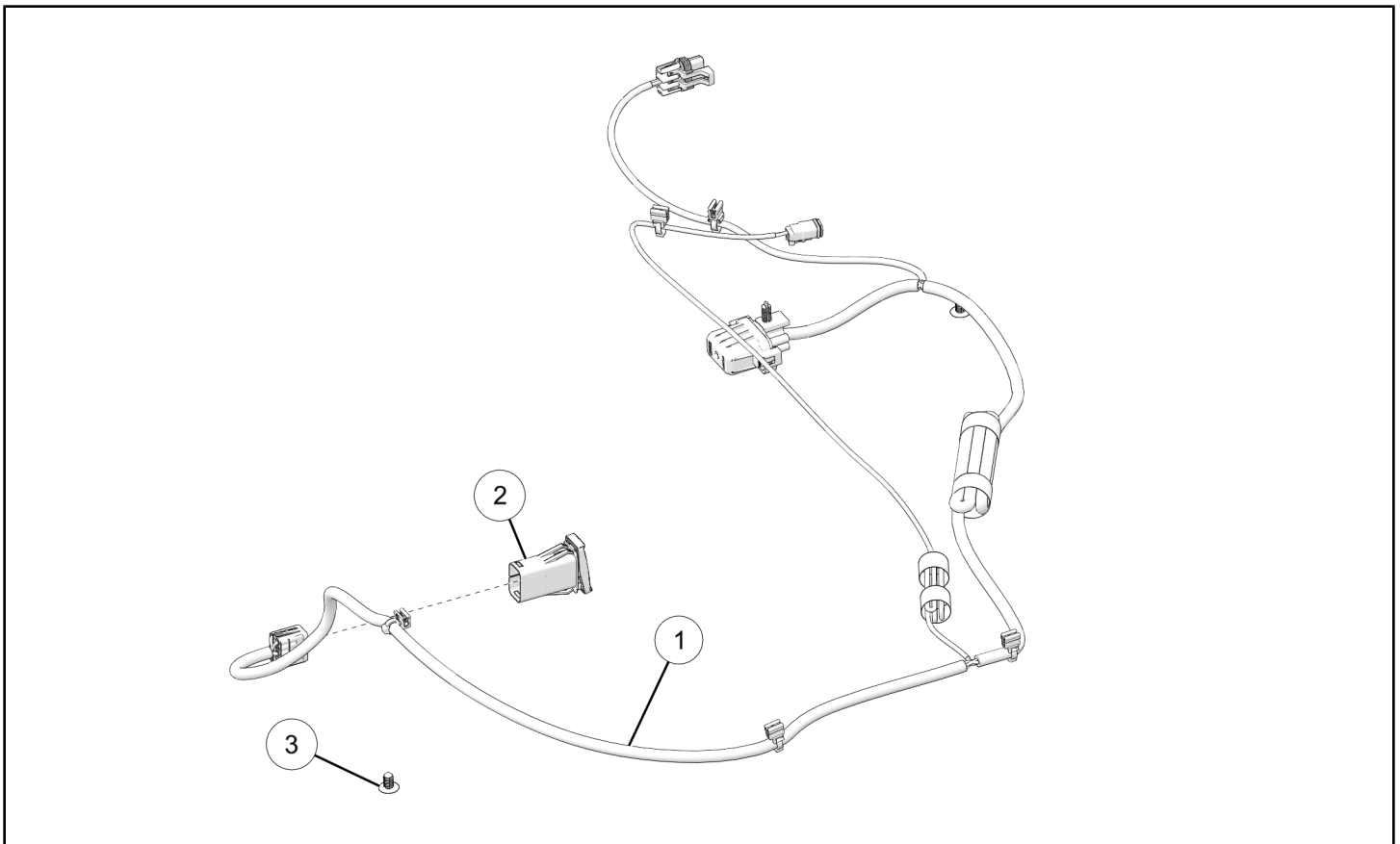
Verify accessory fitment at [www.polaris.com](http://www.polaris.com).

## REQUIRED SOLD SEPARATELY

Only parts for installation of the Roof Lightbar Harness Kit are included. Prior installation of the following additional kits are also required (sold separately):

- *Switch Panel Kit*, P/N 2890422
- *Polaris Pulse® Roof Kit*, P/N 2890262 or 2890441

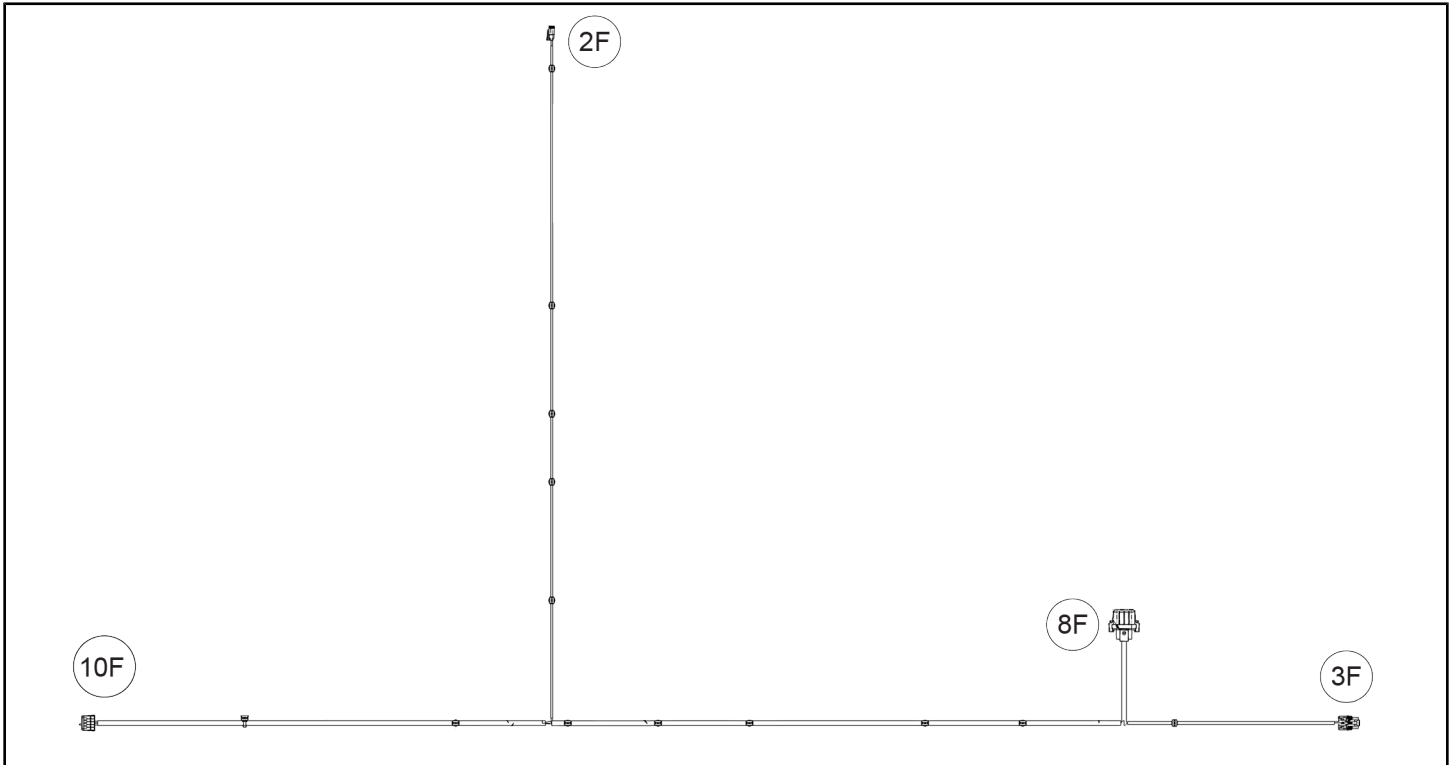
## KIT CONTENTS



REF	QTY	PART DESCRIPTION	P/N AVAILABLE SEPARATELY
1	1	Lightbar Roof Harness	n/a
2	1	Lightbar Switch	4080801-21
3	13	Push Dart Clip	7670088

## HARNESS DETAIL

### LIGHTBAR ROOF HARNESS ①



REF	PART DESCRIPTION	CONNECTS TO
10F	Connector	Lightbar Switch ②
2F	Connector	Lightbar
8F	Fusebox	n/a
3F	Connector	Polaris Pulse® Bar

Example: 16F = 16 pin, Female / 16M = 16 pin, Male (Male terminal fits inside female terminal)

## TOOLS REQUIRED

- Safety Glasses
- Pliers, Slip Joint
- Pliers, Retaining Ring
- Screwdriver Set, Torx®

## IMPORTANT

Your Roof Lightbar Harness Kit is exclusively designed for your vehicle. Please read the installation instructions thoroughly before beginning. Installation is easier if the vehicle is clean and free of debris. For your safety, and to ensure a satisfactory installation, perform all installation steps correctly in the sequence shown.

# INSTALLATION INSTRUCTIONS

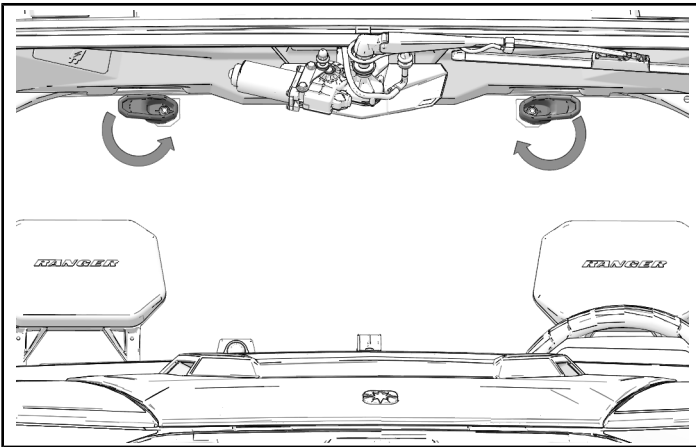
## VEHICLE PREPARATION

### GENERAL

1. Park vehicle on a flat surface.
2. Shift vehicle into PARK.
3. Turn key to OFF position and remove key.

### REAR GLASS PANEL REMOVAL

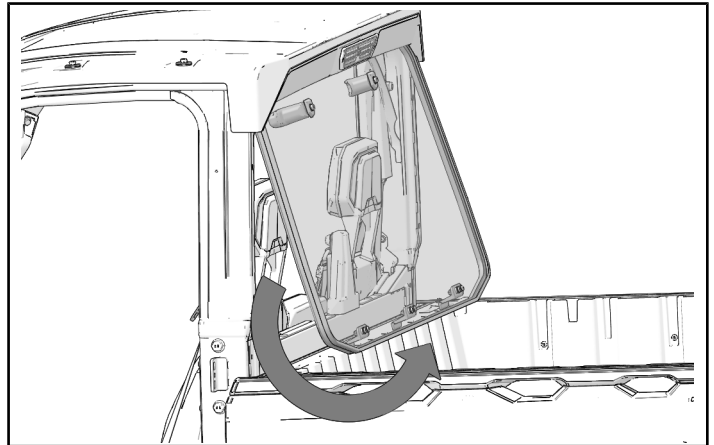
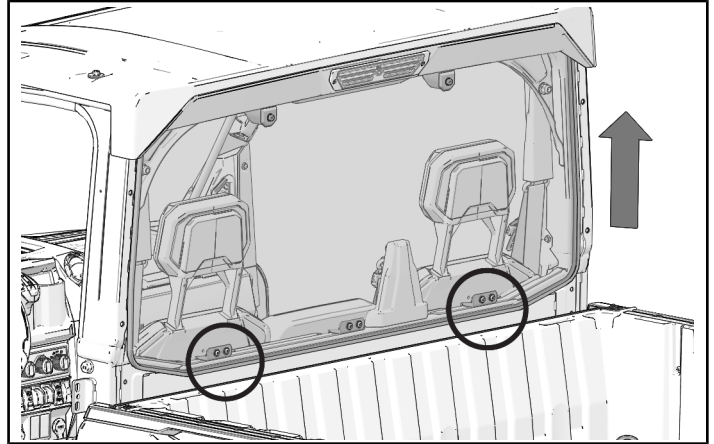
1. Turn handle down.



2. Lift up rear glass panel from the bottom edge. Move bottom of rear glass panel away from bottom of cab frame.

#### TIP

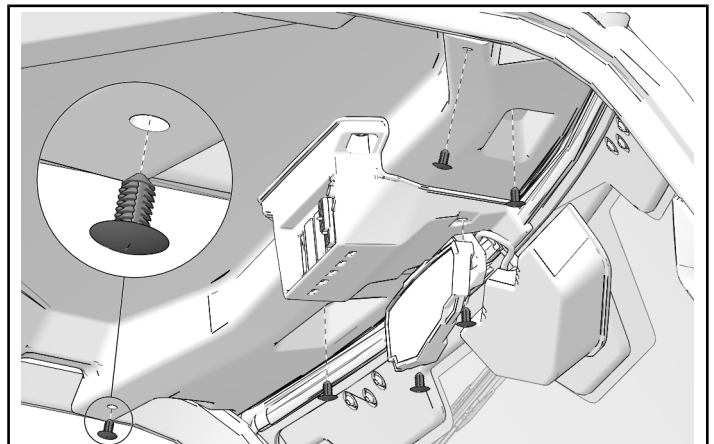
It is recommended that two people do this step.



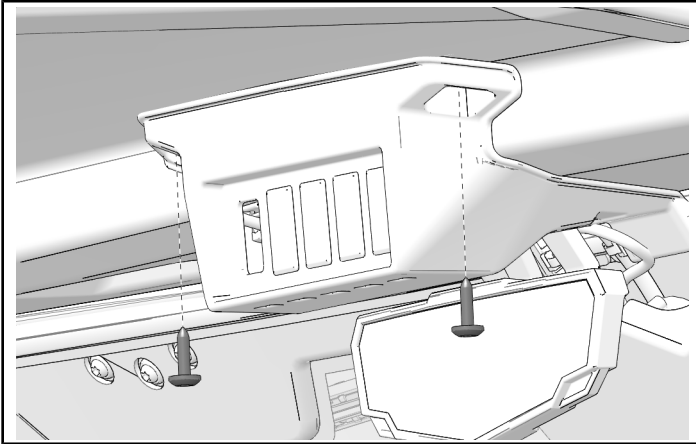
3. Remove rear glass panel from vehicle.

### ROOF LINER FRONT REMOVAL

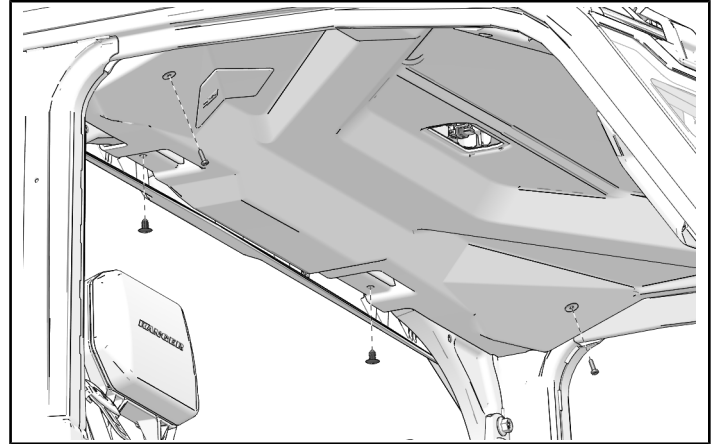
1. Remove and keep six push dart clips from front edge of liner.



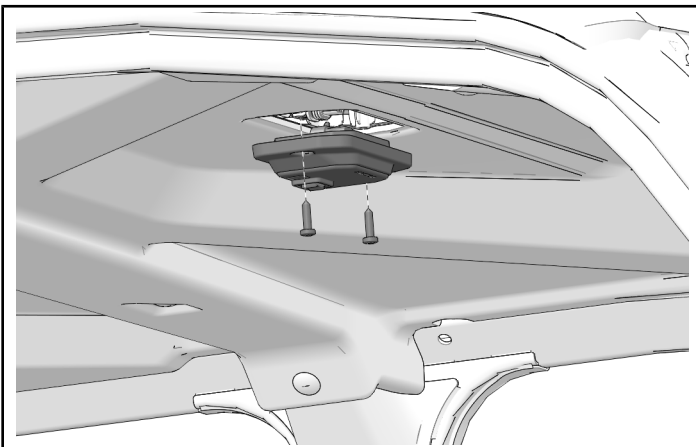
2. If equipped with upper switch panel, remove two screws from switch panel. Disconnect any harness attached. Remove Switch Panel.



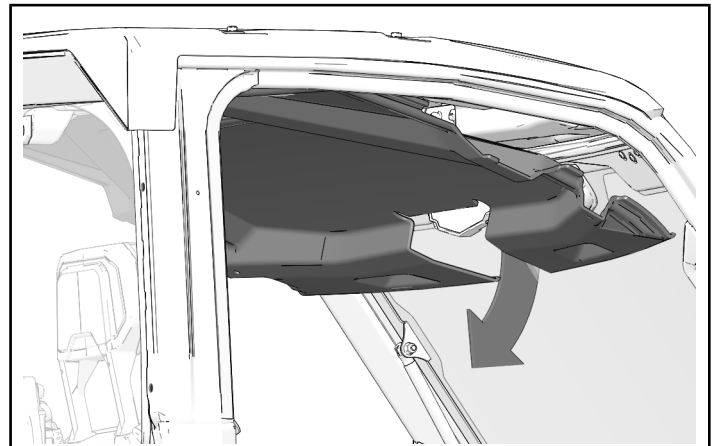
5. Three-passenger Vehicle Only: Remove two screws and two push dart clips from rear of front liner.



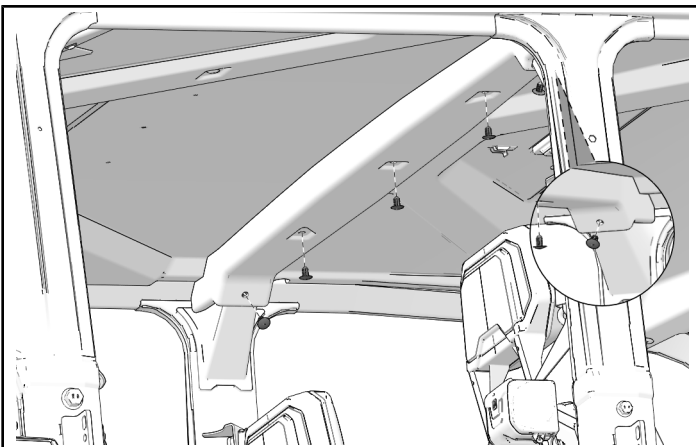
3. Remove two screws from middle of front roof liner. If equipped with dome light, remove dome light and disconnect any wiring.



6. Pull front of roof liner down to remove from roof.



4. Crew Model Only: Remove five push dart clips from back of front roof liner.

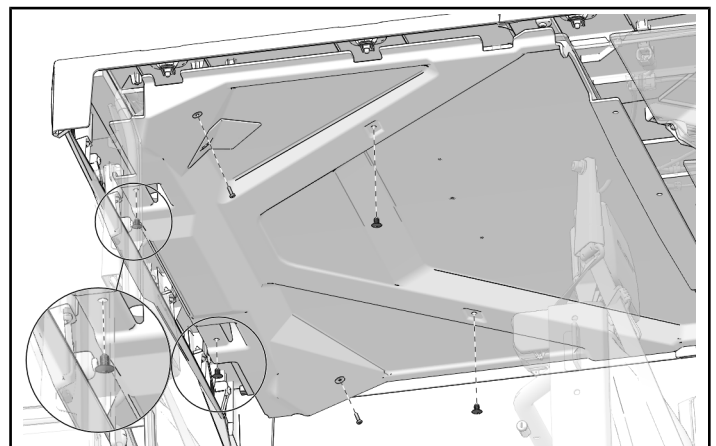


### **REAR ROOF LINER REMOVAL (CREW VEHICLES ONLY)**

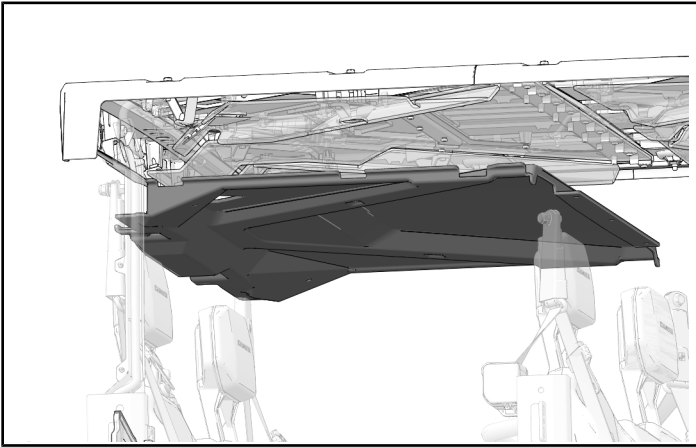
#### **NOTICE**

Vehicle hidden for clarity.

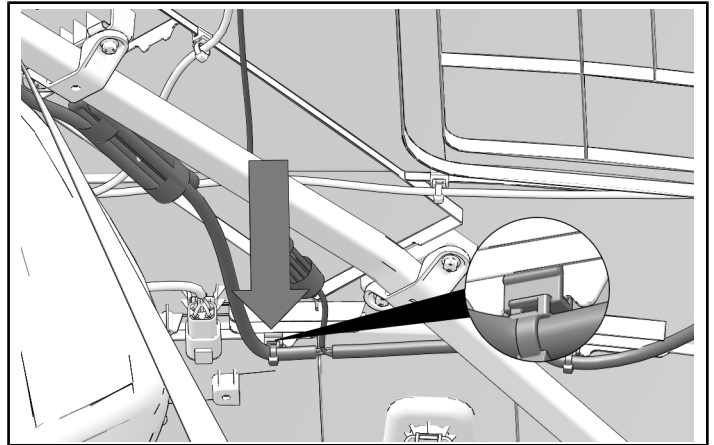
1. Remove two screws and four push dart clips from rear roof liner.



2. Remove rear roof liner from roof.

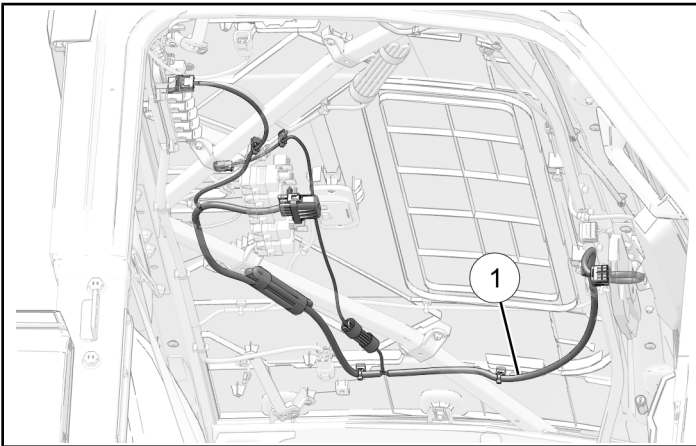


2. Install one edge clip on roof.

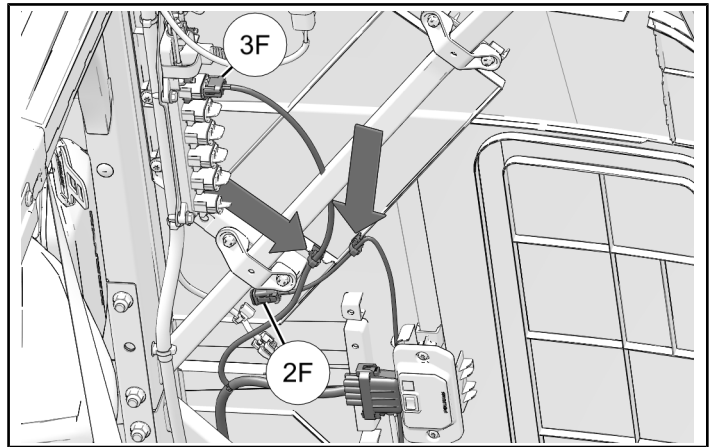


## ACCESSORY INSTALLATION

### THREE-PASSENGER VEHICLE HARNESS ① OVERVIEW

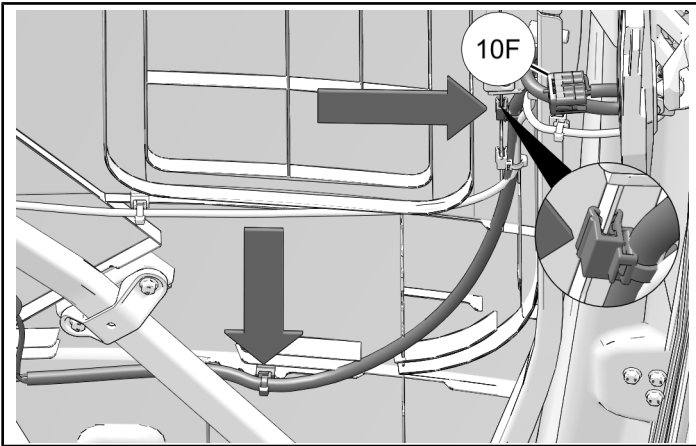


3. Install one edge clip near each connector 3F and 2F.

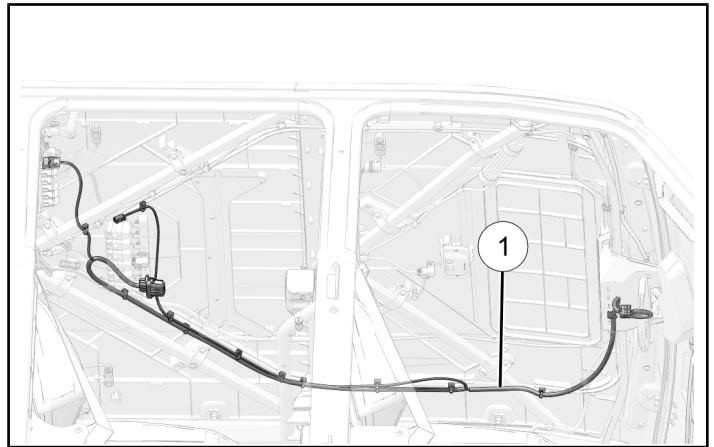


### THREE-PASSENGER VEHICLE HARNESS ① INSTALLATION

1. Make sure harness ① connector 10F is near the front of the vehicle. Install two edge clips near the front.

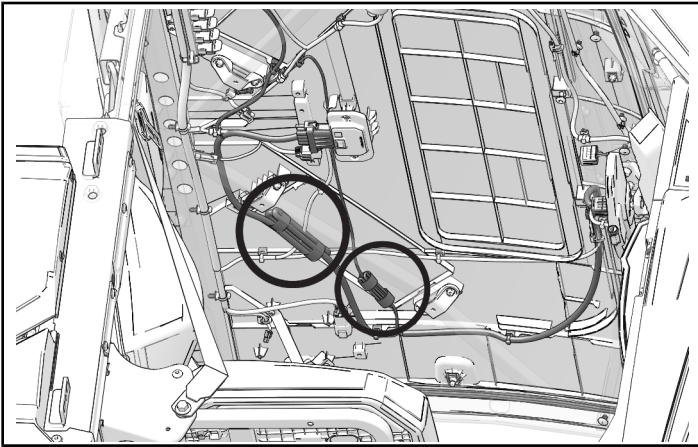


### CREW VEHICLE HARNESS ① OVERVIEW

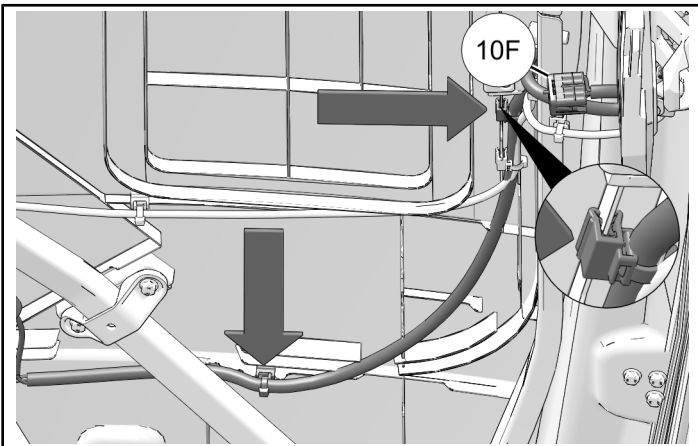


## CREW VEHICLE HARNESS ① INSTALLATION

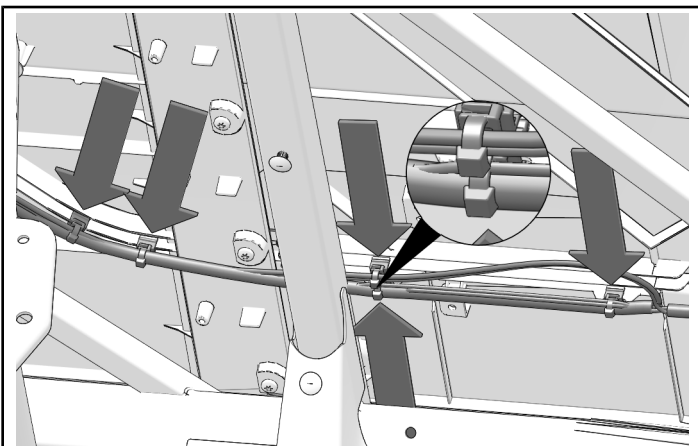
1. Cut electrical tapes on harness.



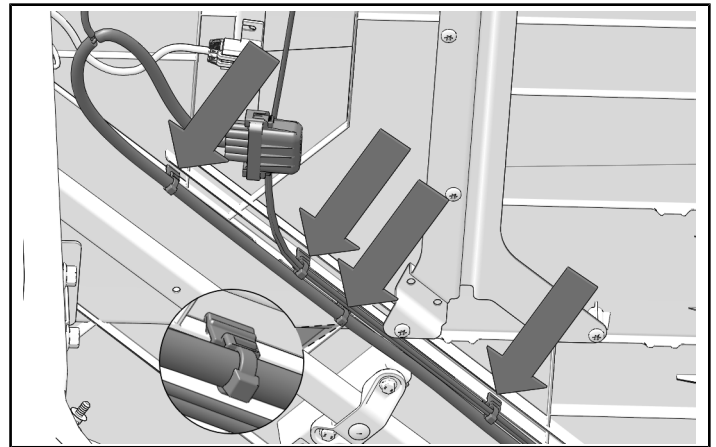
2. Make sure harness ① connector **10F** is near the front of the vehicle. Install two edge clips near the front.



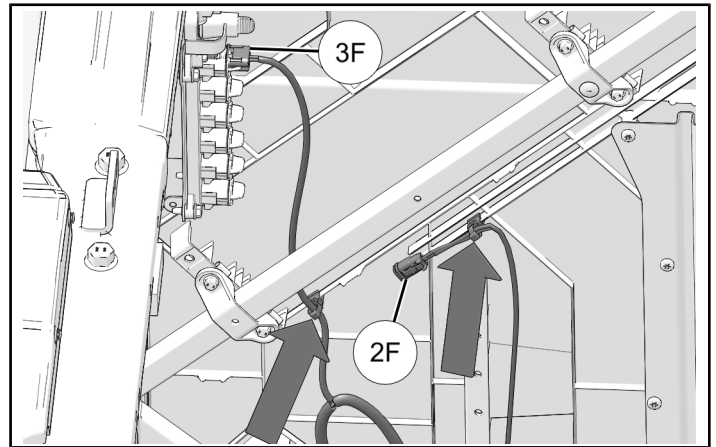
3. Install five edge clips onto roof.



4. Install four edge clips onto roof.

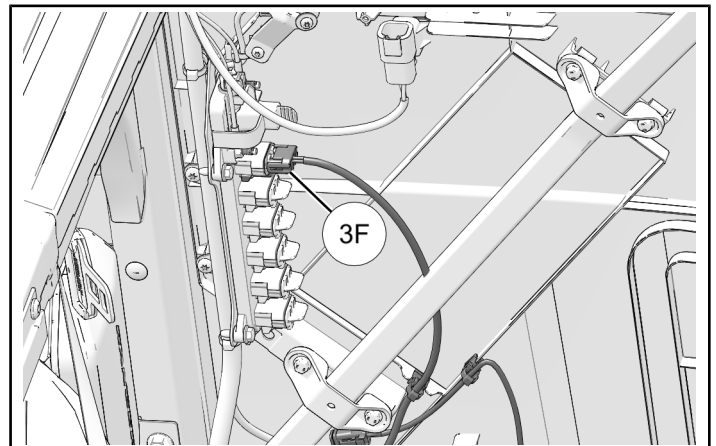


5. Install two edge clips near harness connectors **3F** and **2F**.

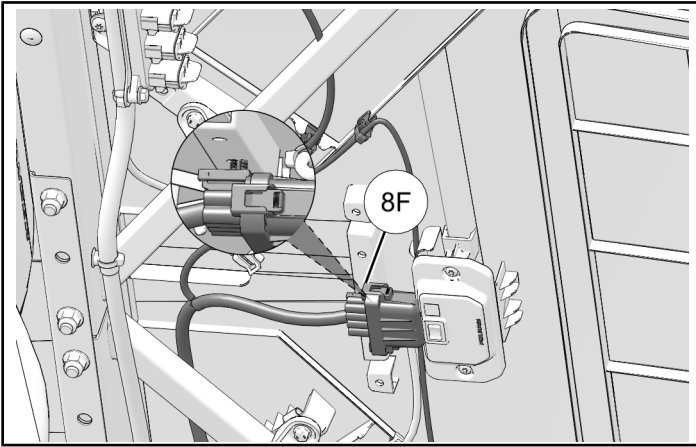


## HARNESS CONNECTIONS

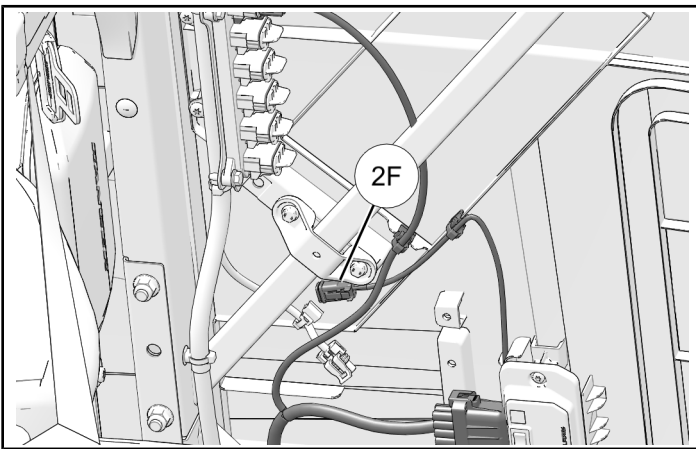
1. Connect harness connector **3F** to rear Polaris Pulse® Bar.



2. Connect harness fuse connector **8F** to roof using push dart clip.



3. Connect harness connector **2F** to the light bar.



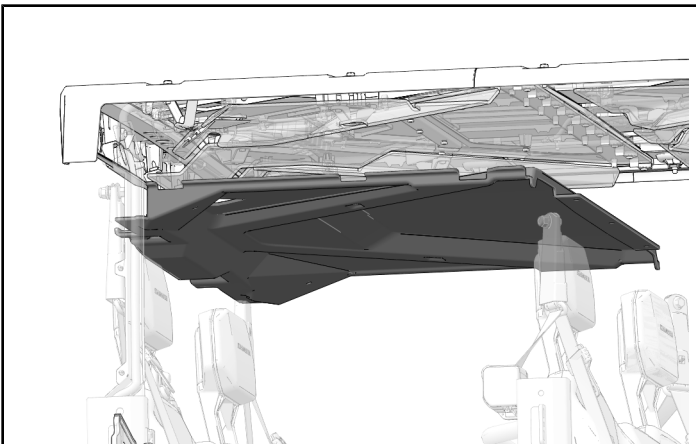
## VEHICLE REASSEMBLY

### NOTICE

Use push dart clips ③ to replace damaged kept push dart clips for reassembly.

## REAR ROOF LINER INSTALLATION

1. Install rear roof liner onto roof.



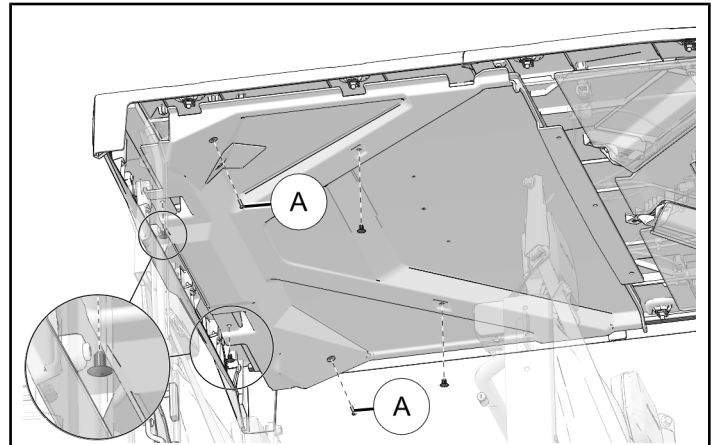
2. Install two screws **A** and four push dart clips into rear roof liner.

### NOTICE

If kit contains new push dart clips, install roof liner using new push dart clips.

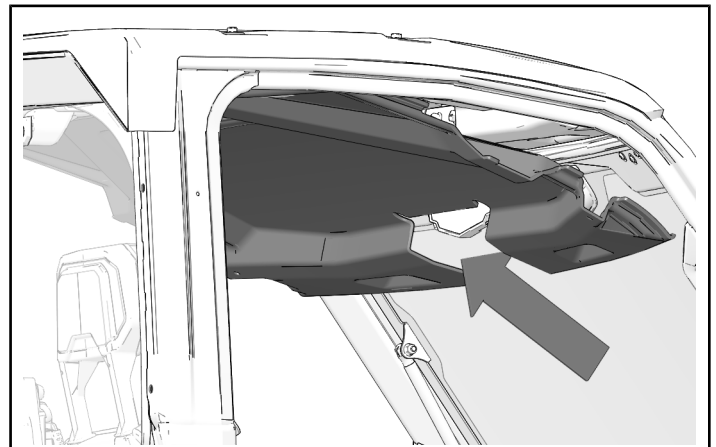
### TORQUE

Screws **A**:  
**22 in-lbs (2.5 N·m)**



## FRONT ROOF LINER INSTALLATION

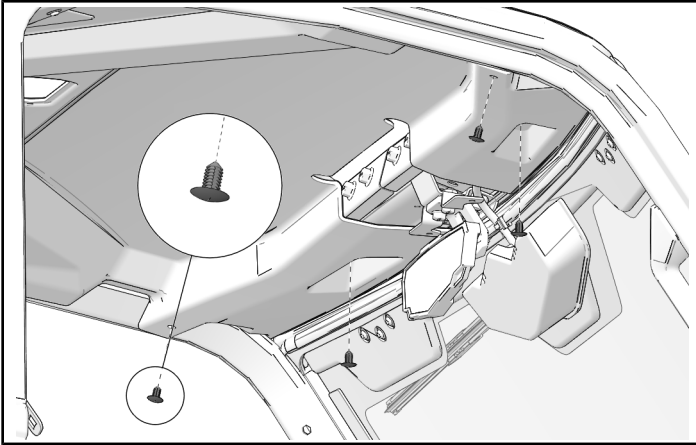
1. Install rear edge of roof liner then lift front into place.



2. Install four push dart clips at front of roof liner.

**NOTICE**

If kit contains new push dart clips, install roof liner using new push dart clips.



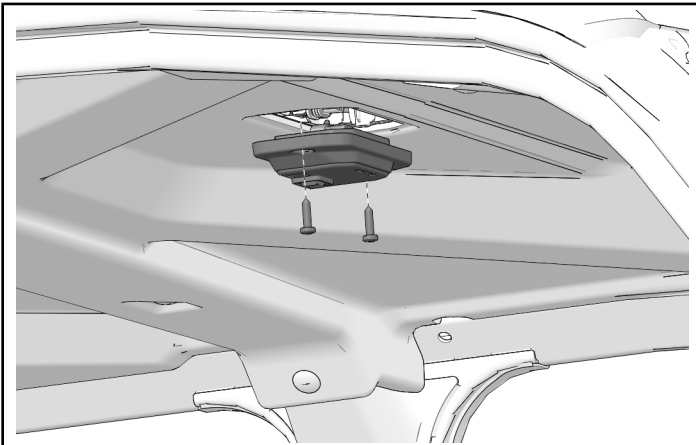
3. If vehicle is equipped with dome light, connect dome light and install onto roof liner with two screws. Torque two screws to specification

**NOTICE**

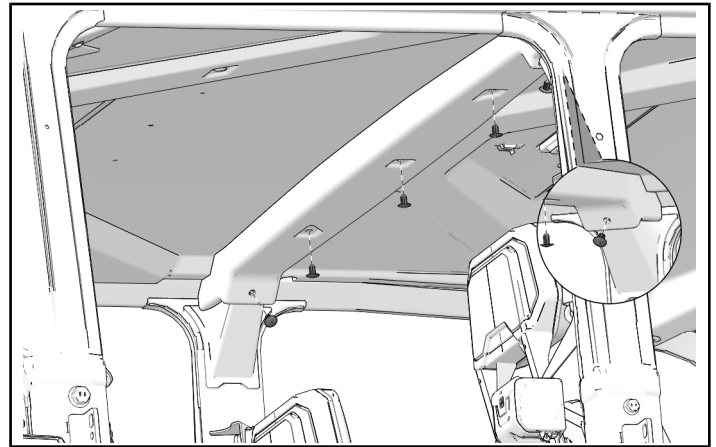
Vehicles without dome light will still have two screws.

**TORQUE**

Screws:  
**17 in-lbs (2 N·m)**



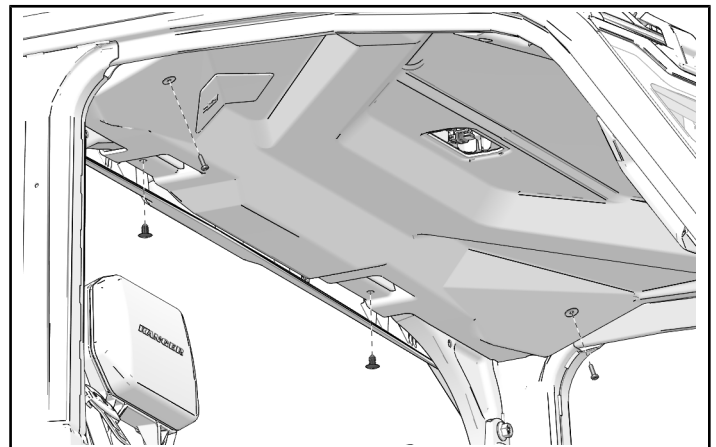
4. Crew Model Only: Install five push dart clips to rear of front roof liner.



5. Three-passenger Model Only: Install two screws and two push dart clips from rear of front liner. Torque screws to specification.

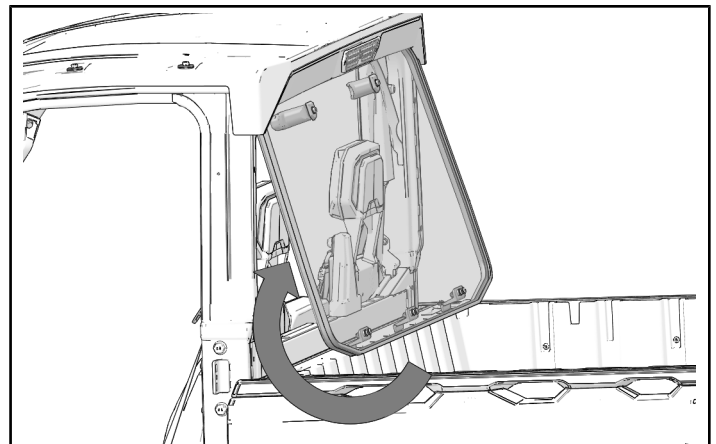
**TORQUE**

Screws:  
**22 in-lbs (2.5 N·m)**



**REAR GLASS PANEL INSTALLATION**

1. Put rear glass panel underneath rear of roof.

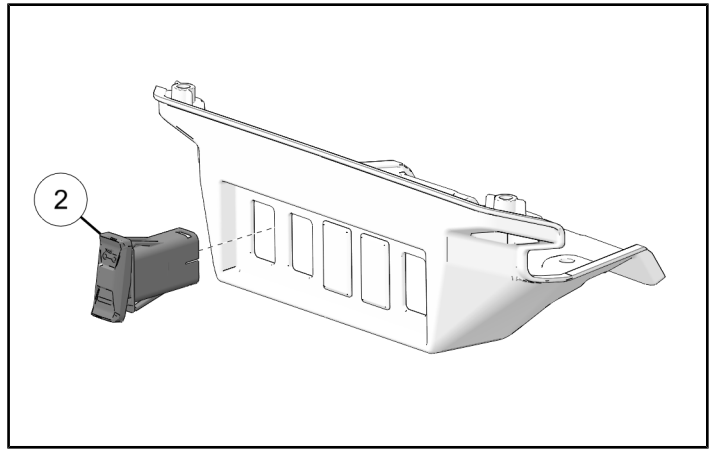




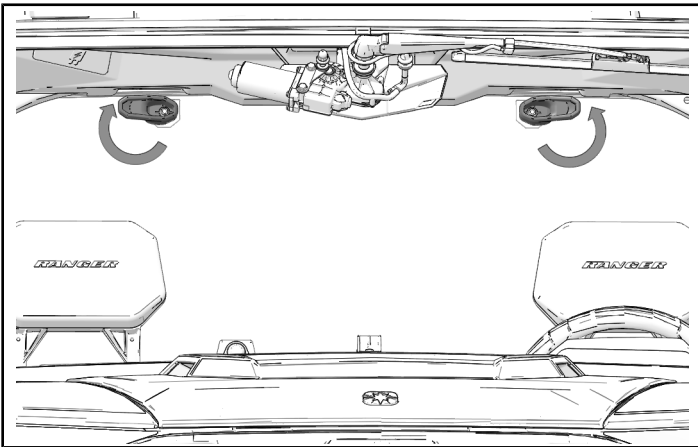
2. Put rear panel mounts onto the cab frame.



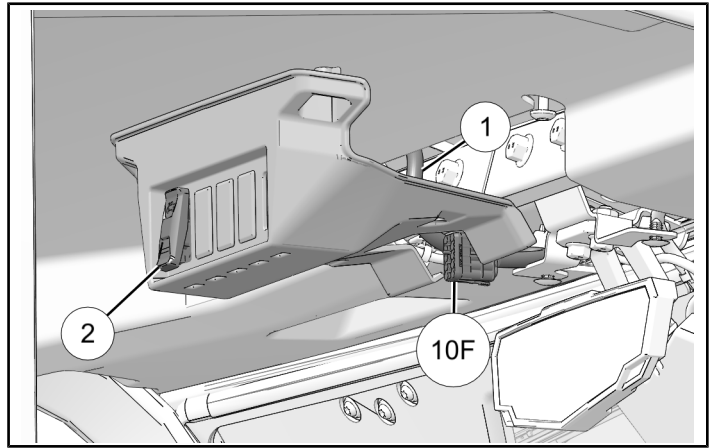
2. Install work light switch ② into switch panel slot.



3. Turn handle up.

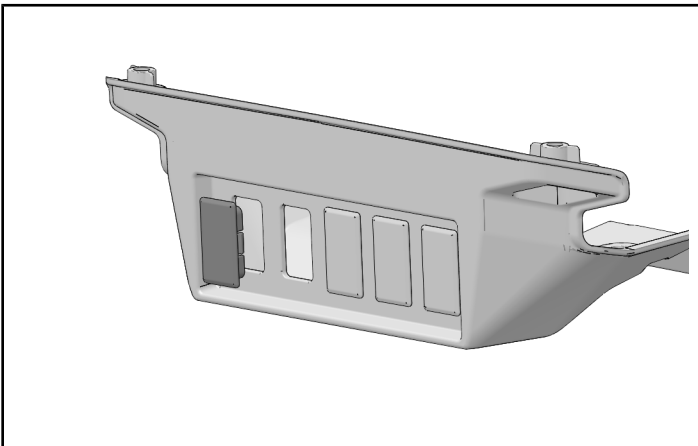


3. Place switch panel near work light harness ① connector 10F. Connect work light harness ① connector 10F to work light switch ②.



### LIGHTBAR ROOF HARNESS SWITCH INSTALLATION

1. Remove switch blank from desired switch panel slot.



4. Install switch panel to roof using two kept push dart clips and two screws. Torque screws to specification.

#### TORQUE

Switch Panel Screws:  
**31 in-lbs (3.5 N·m)**

