

CLICK 6 HARNESS KIT



P/N 2890263; 2890264

BEFORE YOU BEGIN

Read these instructions and check to be sure all parts and tools are accounted for. Please retain these installation instructions for future reference and parts ordering information.

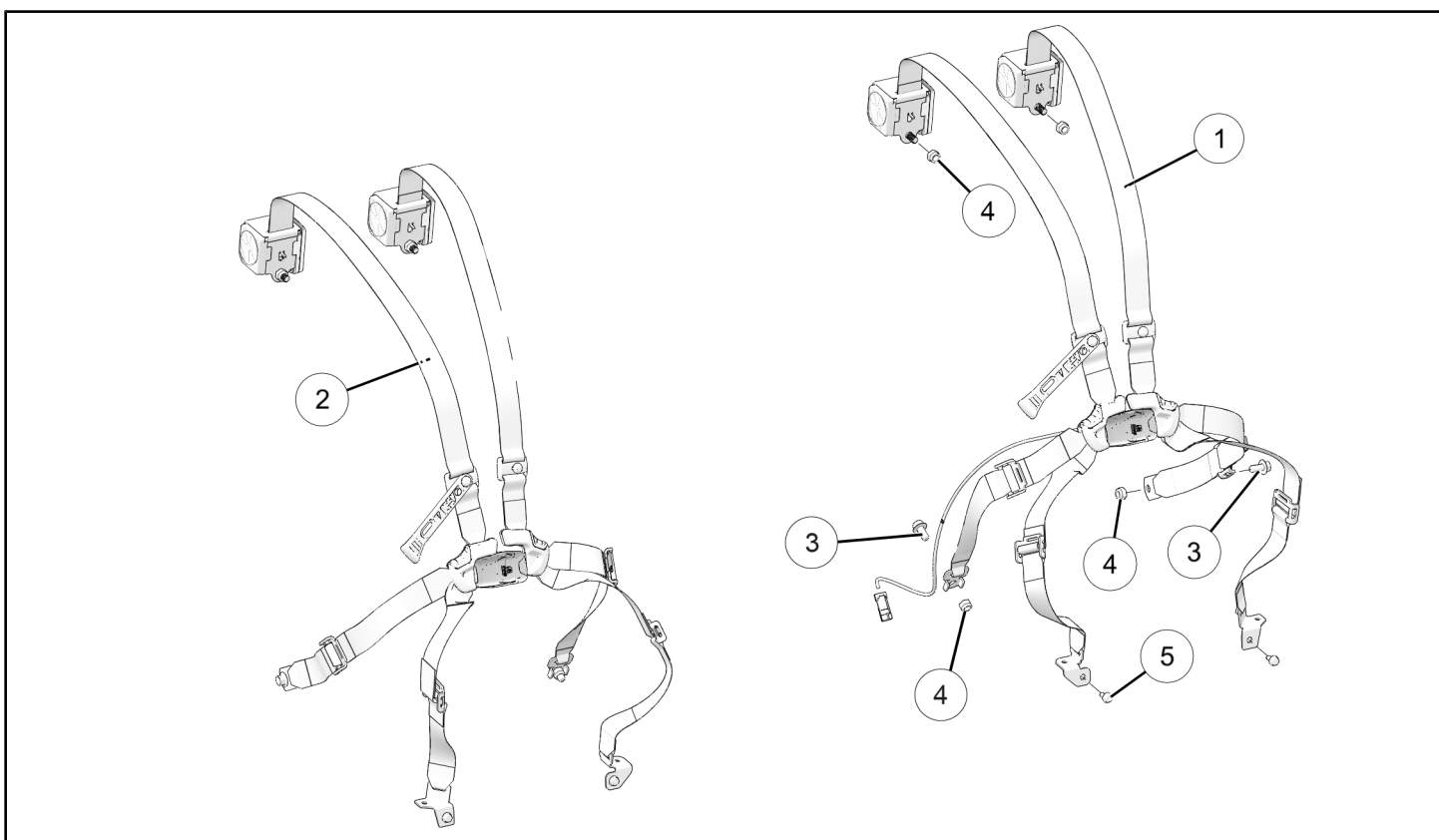
APPLICATION

Verify accessory fitment at www.polaris.com.

KIT CONTENTS

NOTICE

Kits 2890263 and 2890264 shown; each sold separately.



REF	QTY	PART DESCRIPTION	P/N AVAILABLE SEPARATELY	AVAILABLE SERVICE KIT
1	1	Harness, Multi-Point, Driver (Kit PN 2890263 only)	2639185	n/a
2	1	Harness, Multi-Point, Passenger (Kit PN 2890264 only)	2639186	n/a
3	2	Bolt, Hex Flange, M12 X 1.75 X 25 mm	7519072	2205203
4	4	Nut, Hex, M12 X 1.75 mm	7540000	2205203

REF	QTY	PART DESCRIPTION	P/N AVAILABLE SEPARATELY	AVAILABLE SERVICE KIT
5	2	Screw, Hex Flange, M8 X 1.25 X 20 mm	7518555	2205203
6	1	Boot (not shown)	n/a	n/a

TOOLS REQUIRED

- Safety Glasses
- Socket Set, Metric
- Torque Wrench
- Wrench Set, Metric

IMPORTANT

Your Click 6 Harness Kit is exclusively designed for your vehicle. Please read the installation instructions thoroughly before beginning. Installation is easier if the vehicle is clean and free of debris. For your safety, and to ensure a satisfactory installation, perform all installation steps correctly in the sequence shown.

INSTALLATION INSTRUCTIONS

GENERAL

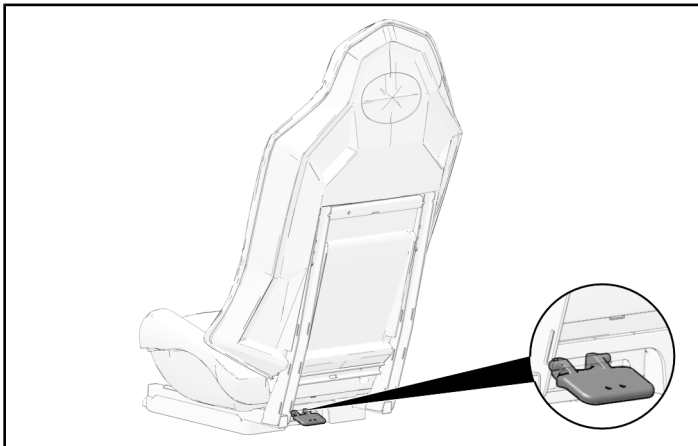
1. Park vehicle on a flat surface.
2. Shift vehicle into PARK.
3. Turn key to OFF position and remove key.

VEHICLE PREPARATION

RZR XP 1000 ONLY

SEAT REMOVAL

1. Lift latch lever upwards to disengage and remove seat.

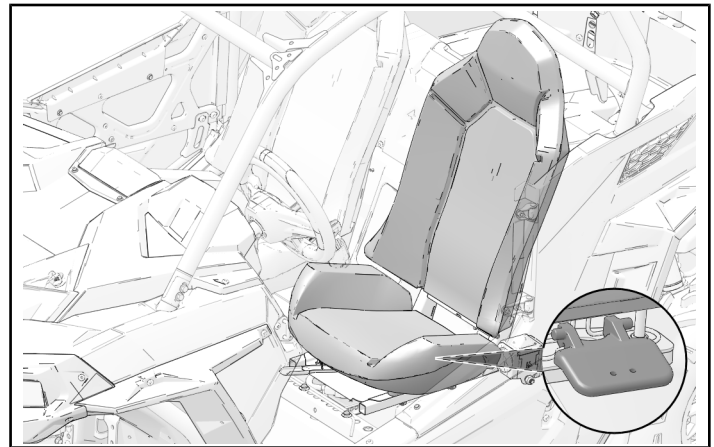


RZR TRAIL/ TRAIL S ONLY

SEAT REMOVAL

NOTICE
Driver seat shown; passenger seat similar.

1. Reach between seat and backrest. Pull up on lever, located behind seat to disengage seat latch.

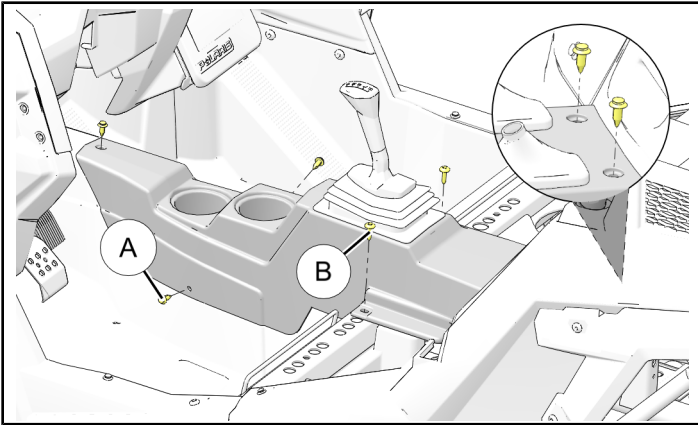


SEAT BELT REMOVAL

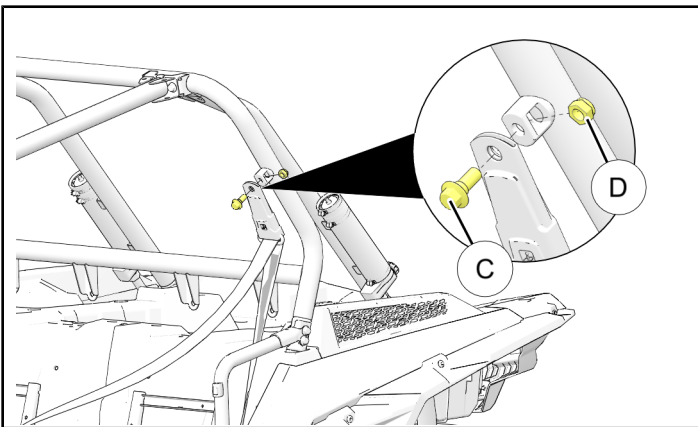
NOTICE

Left side shown; right side similar.

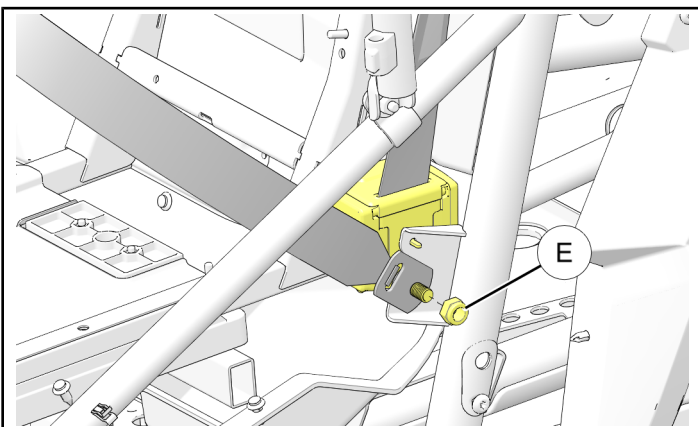
1. Remove and keep five plastic push pins (A) and two screws (B). Remove and keep center console, pushing boots for gear shift and seat belt through console openings.



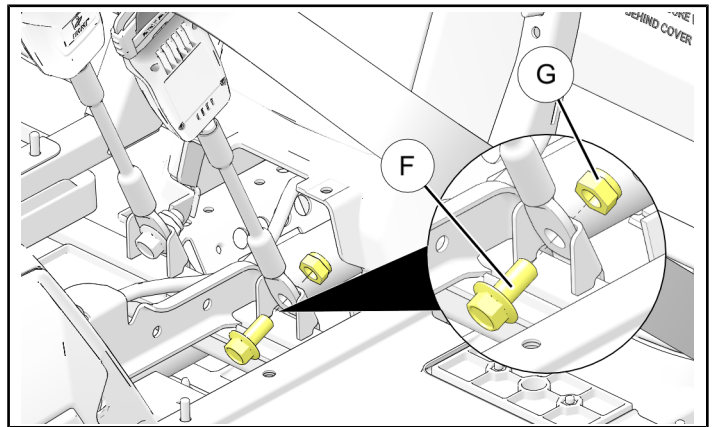
2. Remove and discard bolt (C) and nut (D) from upper seat belt mount bracket.



3. Remove and discard nut (E) from retractor unit, then remove retractor and lap belt clip.



4. Remove and discard bolt (F) and nut (G) from inboard seat belt mount bracket, then remove belt.



5. Disconnect safety interlock harness from vehicle harness (driver side only).
6. Remove and discard rubber boot from inboard seat belt.

ACCESSORY INSTALLATION

MULTI-POINT HARNESS

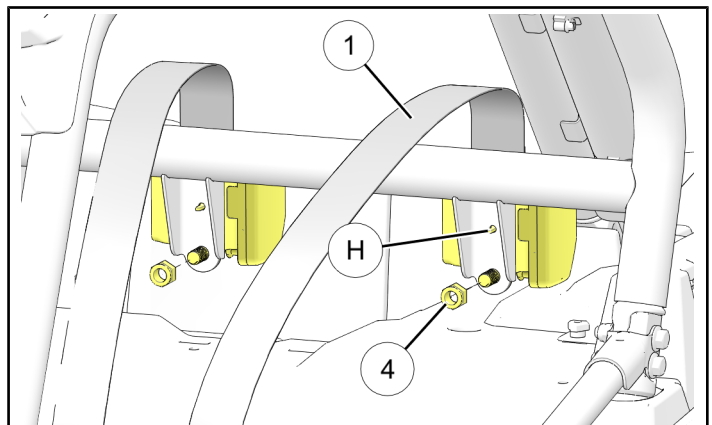
NOTICE

Left side shown; right side similar.

1. Install two retractor units to ROPs cross-member using two nuts (4) as shown. Make sure retractor alignment pins (H) fully engage mounting brackets. Torque nuts to specification.

TORQUE

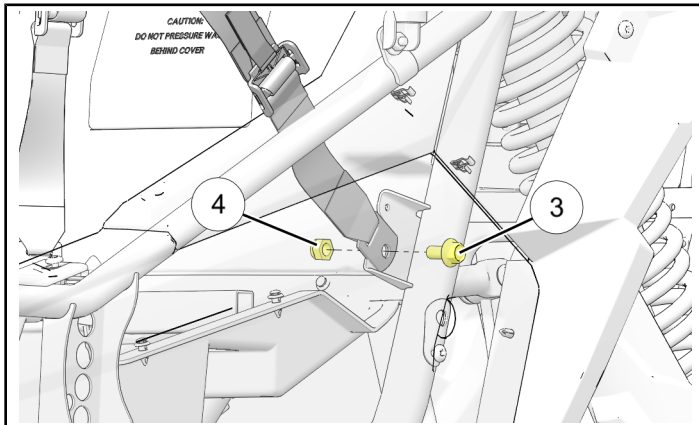
Nuts (4):
40 ft-lbs (54 N·m)



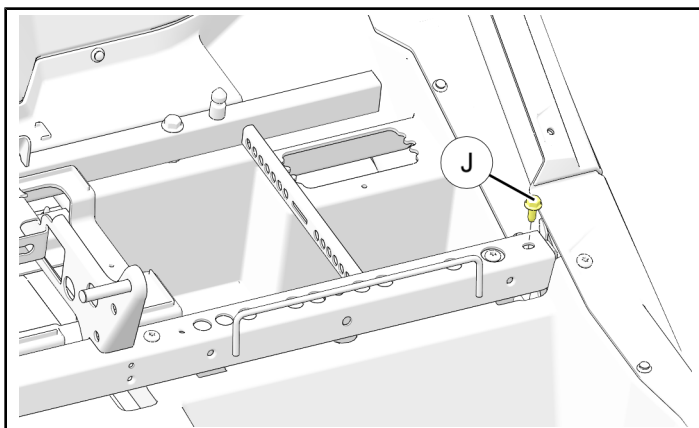
2. Install rear outboard harness clip to vehicle mount bracket using bolt ③ and nut ④ as shown. Make sure harness clip is on OUTBOARD side of mount bracket. Torque to specification.

TORQUE

Nuts ④:
40 ft-lbs (54 N·m)



3. Remove and keep one screw ① from front outboard corner of seat mounting frame as shown.

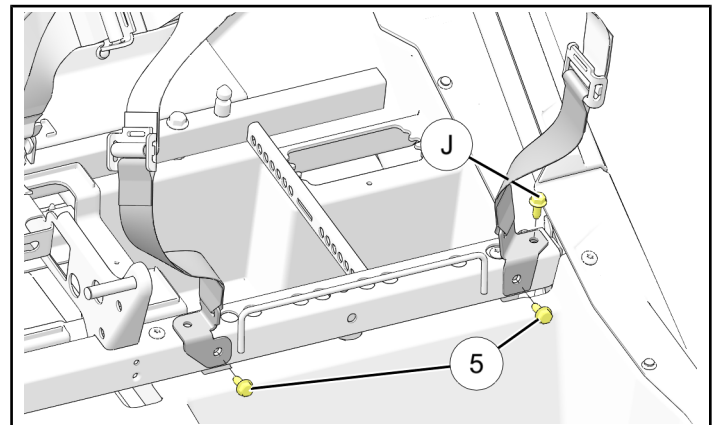


4. Install both front harness clips to seat mounting frame using one retained screw ① and two new screws ⑤ as shown. Torque screws to specification.

TORQUE

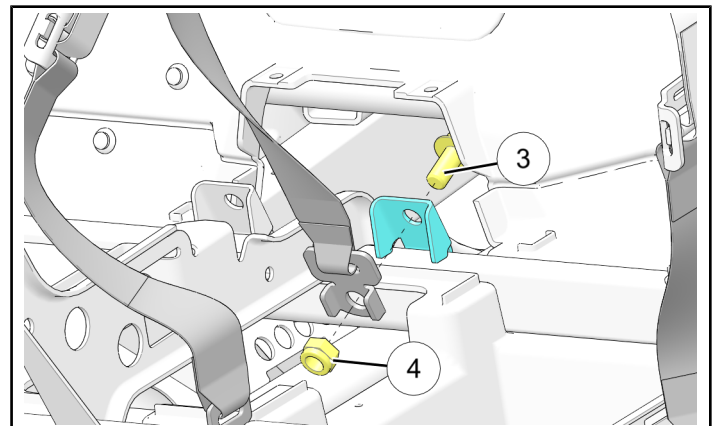
Screws ⑤:
16 ft-lbs (22 N·m)

NOTE
 Remaining screw for upper surface of front inboard harness clip will be installed with center console in Rear Inboard Harness Installation.



REAR INBOARD HARNESS INSTALLATION

1. Route rear inboard harness clip through new boot ⑥ and center console cutout.



2. Install clip to vehicle mount bracket using bolt ③ and nut ④. Make sure harness clip is on FRONT side of mount bracket. Torque to specification.

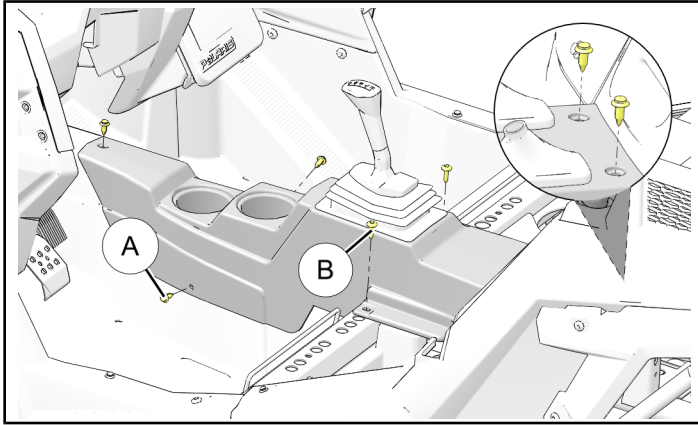
TORQUE

Nut ④:
54 ft-lbs (73 N·m)

3. Install retained center console, pushing boots for gear shift and seat belt through console openings. Install five retained plastic push pins (A) and two retained screws (B).

TORQUE

Screws (B):
97 in-lbs (11 N·m)



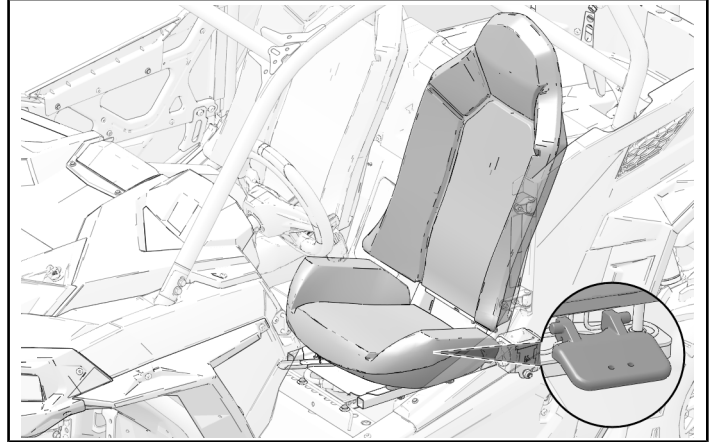
RZR TRAIL/ TRAIL S ONLY

SEAT INSTALLATION

NOTICE

Driver seat shown; passenger seat similar.

1. Put seat in installed position. Align latch with plunger on vehicle.

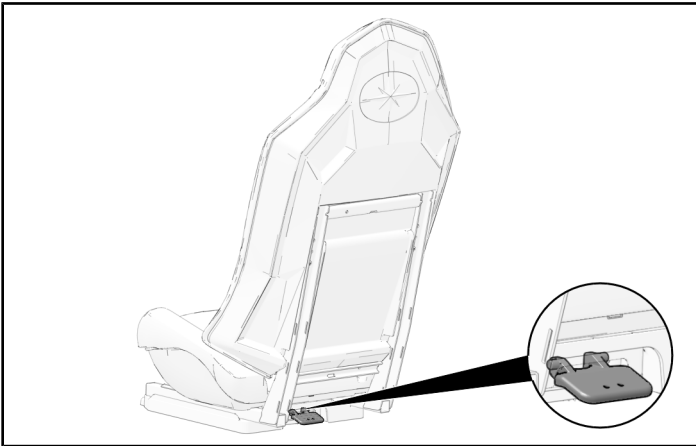


VEHICLE REASSEMBLY

RZR XP 1000 ONLY

SEAT INSTALLATION

1. Install seat in upright position.



INSTRUCTION FEEDBACK FORM

A feedback form has been created for the installer to provide any comments, questions or concerns about the installation instructions. The form is viewable on mobile devices by scanning the QR Code® or by clicking [HERE](#) if viewing on a PC.

