

# POLARIS XPEDITION WIRELESS REMOTE KIT



P/N 2889561

## BEFORE YOU BEGIN

Read these instructions and check to be sure all parts and tools are accounted for. Please retain these installation instructions for future reference and parts ordering information.

## APPLICATION

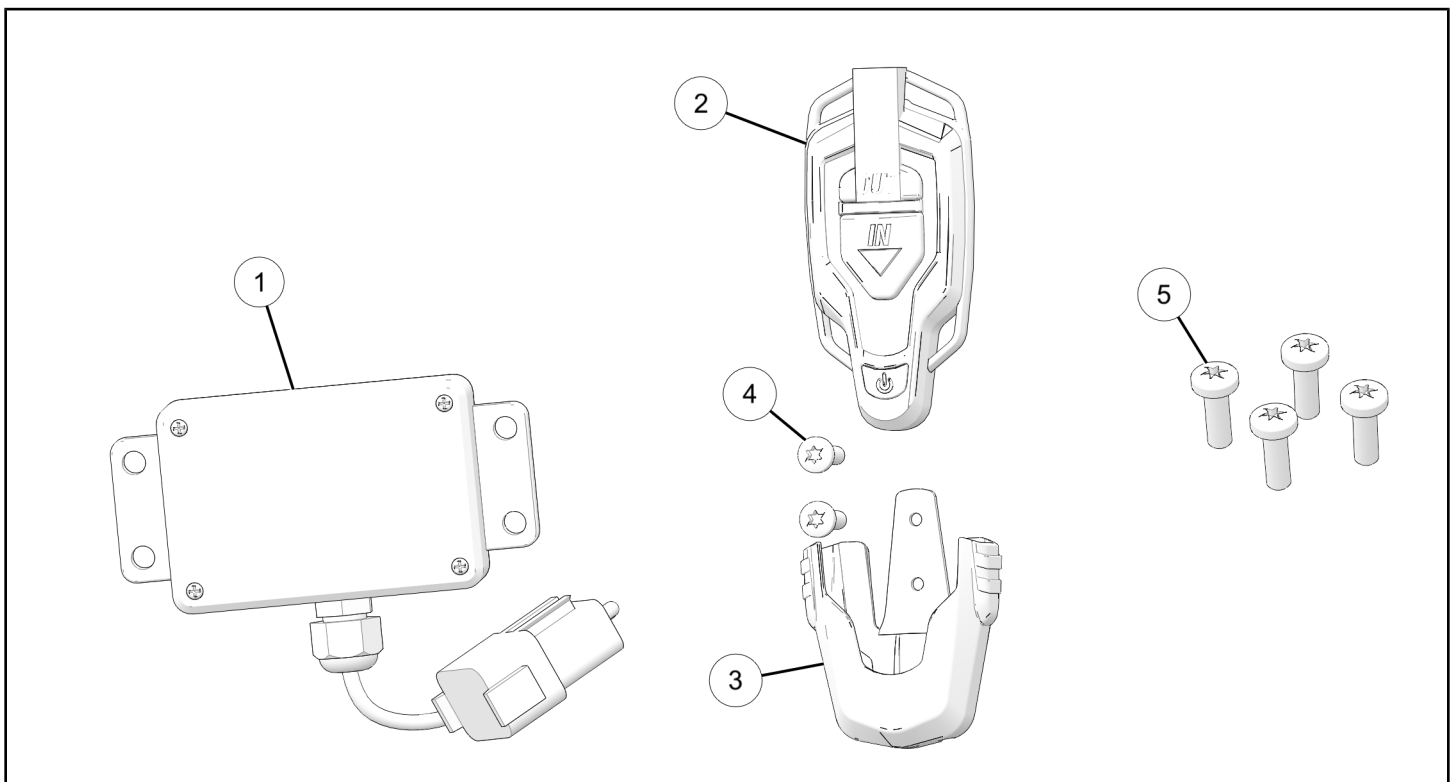
Verify accessory fitment at [www.polaris.com](http://www.polaris.com).

## REQUIRED SOLD SEPARATELY

Only parts for installation of the Polaris Xpedition Wireless Remote Kit are included. Prior installation of the following additional kits are also required (sold separately):

- *Autostop Sensor*, P/N 2889028

## KIT CONTENTS



REF	QTY	PART DESCRIPTION	P/N AVAILABLE SEPARATELY
1	1	Autostop Receiver	2415785
2	1	Wireless Remote	4080061
3	1	Wireless Remote Holder	5454269
4	2	Screw, #10 x 3/4 in	7512026
5	4	Screw, #14 x .75 in	7519731

## TOOLS REQUIRED

- Safety Glasses
- Pliers, Push Pin Rivet
- Socket Set, Hex Bit, Metric
- Socket Set, Metric
- Socket Set, Torx® Bit
- Torque Wrench
- Wrench Set, Metric

## CONSUMABLES REQUIRED

- Zip Ties

## IMPORTANT

Your Polaris Xpedition Wireless Remote Kit is exclusively designed for your vehicle. Please read the installation instructions thoroughly before beginning. Installation is easier if the vehicle is clean and free of debris. For your safety, and to ensure a satisfactory installation, perform all installation steps correctly in the sequence shown.

## INSTALLATION INSTRUCTIONS

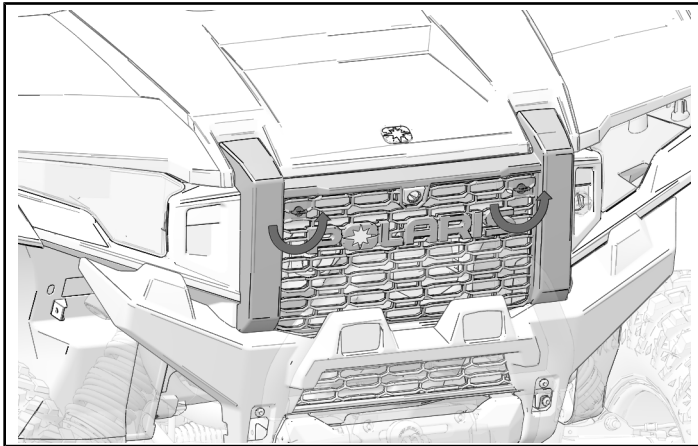
### VEHICLE PREPARATION

#### GENERAL

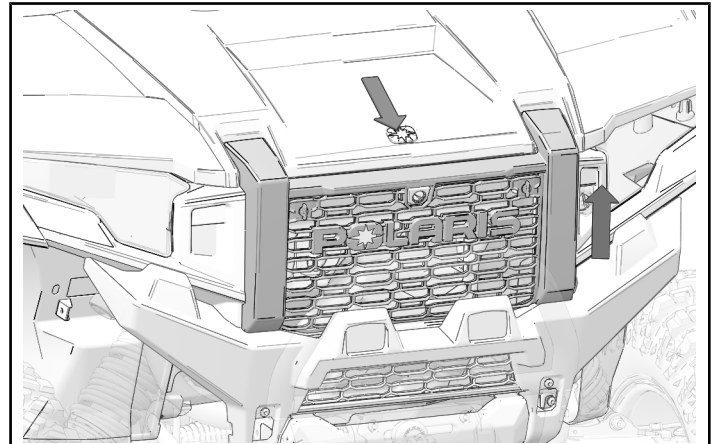
1. Park vehicle on a flat surface.
2. Shift vehicle into PARK.
3. Turn key to OFF position and remove key.

#### HOOD AND GRILL REMOVAL

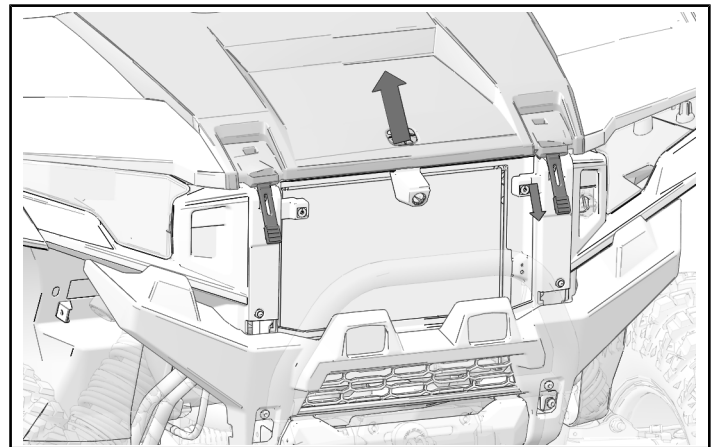
1. Turn each stud one-quarter of a turn to release the grill.



2. Pull the top of the grill forward and then lift up to remove the grill.

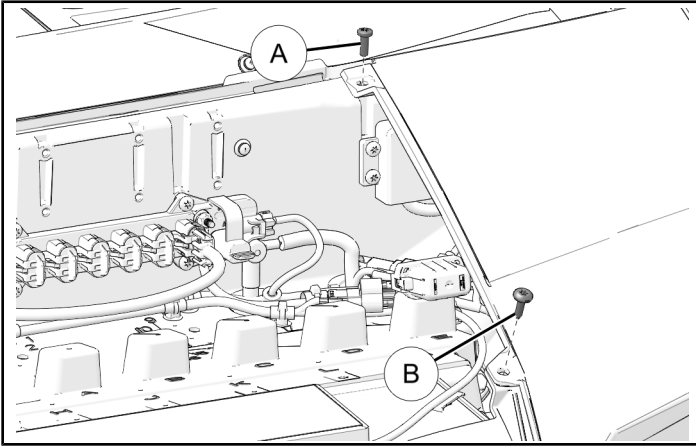


3. Unhook the rubber straps for the hood. Lift the hood to remove.

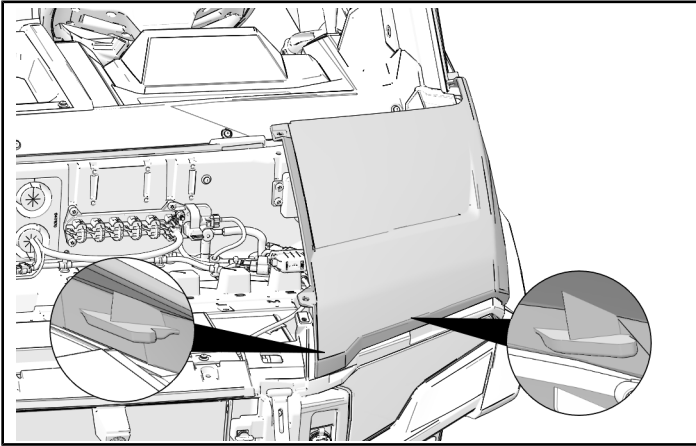


## ACCESSORY INSTALLATION

1. Remove and keep two left front fender screws.



2. Pull up fender to disengage the two tabs in front of the fender.



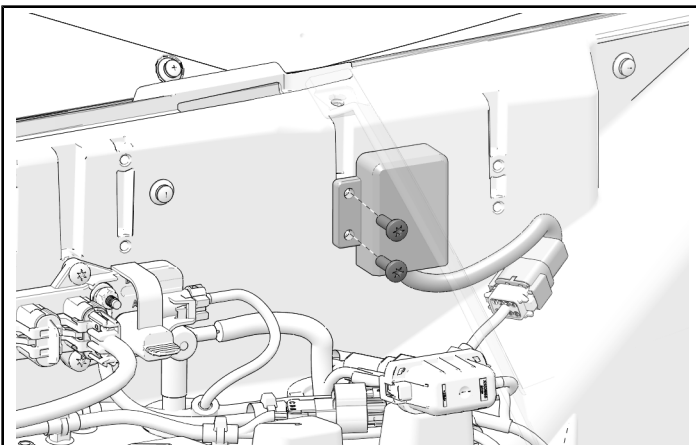
3. Remove two screws from the autostop receiver. Disconnect connector and remove autostop receiver.

### NOTICE

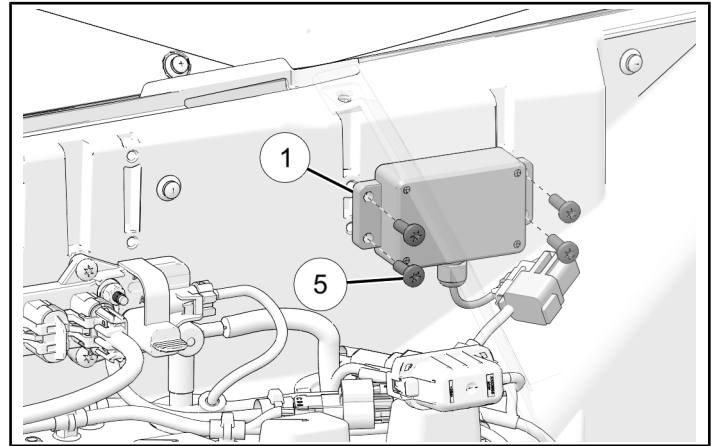
Adjust left front fender if needed to access autostop.

### NOTICE

Fender hidden for clarity.



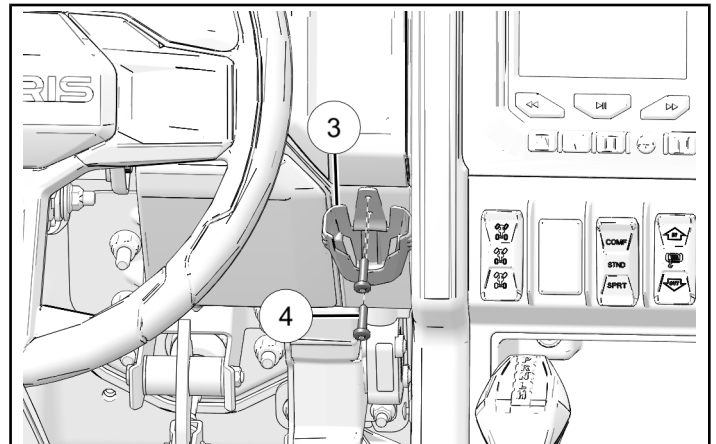
4. Align autostop receiver ① holes with holes on underhood wall. Install with four autostop screws ⑤. Torque screws until fully seated. Connect autostop connector to harness.



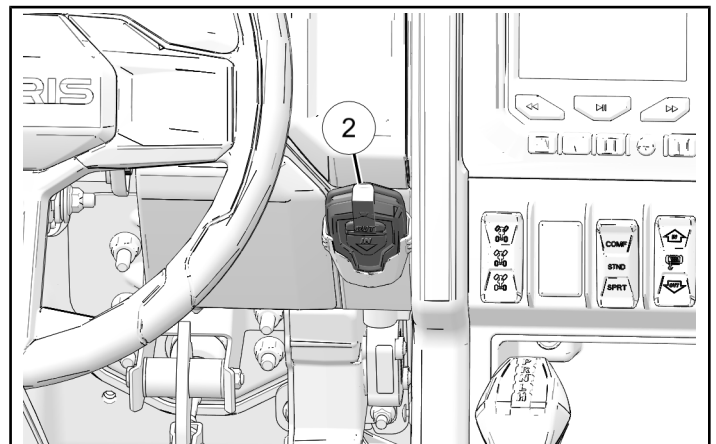
5. Install wireless remote holder ③ with two screws ④.

### NOTICE

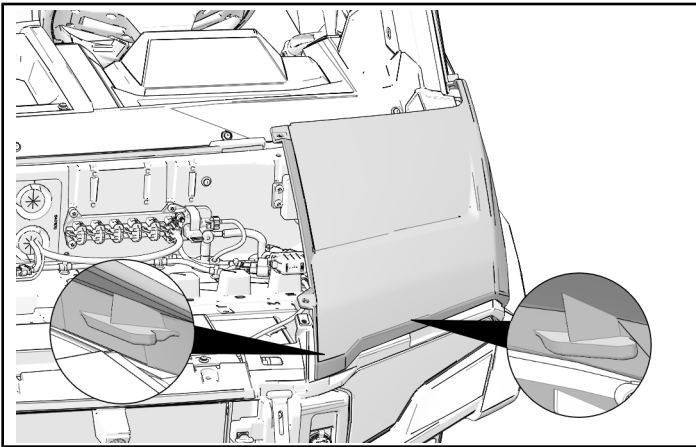
Polaris recommends this placement for wireless remote holder location.



6. Place wireless remote ② in holder.



7. Install front fender by engaging the two tabs in front of the fender.



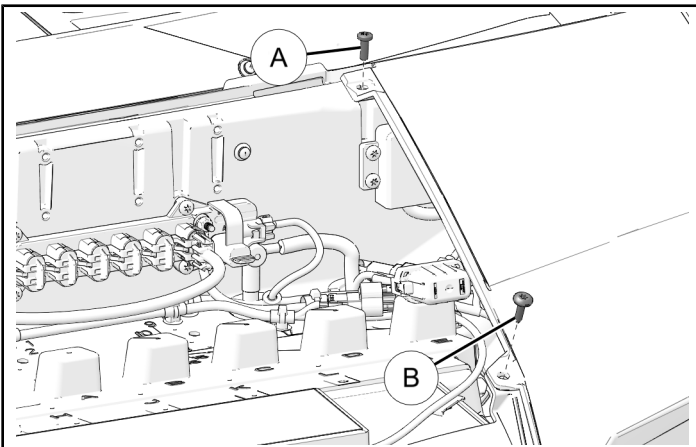
8. Install two retained left front fender screws. Torque screws to specification.

#### TORQUE

Left Front Fender Screw (A):  
**30 in-lbs (3.4 N·m)**

#### TORQUE

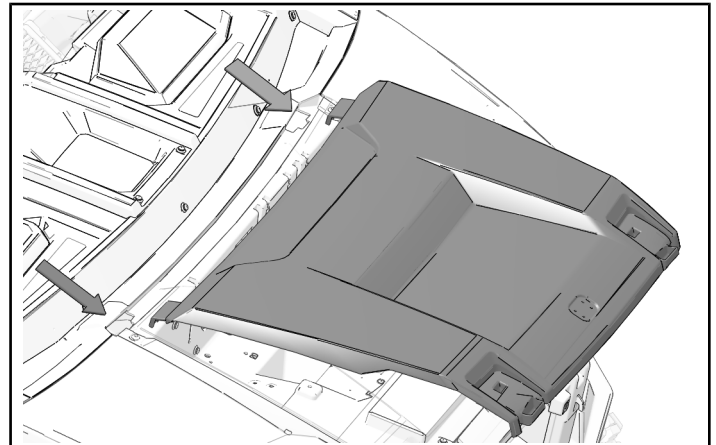
Left Front Fender Screw (B):  
**40 in-lbs (4.5 N·m)**



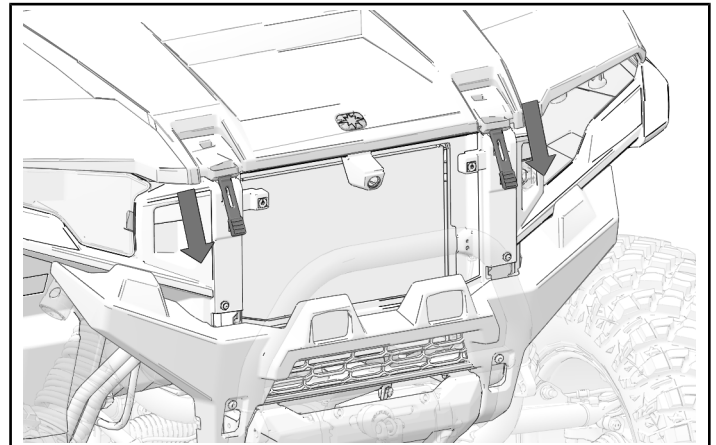
## VEHICLE REASSEMBLY

### HOOD AND GRILL INSTALLATION

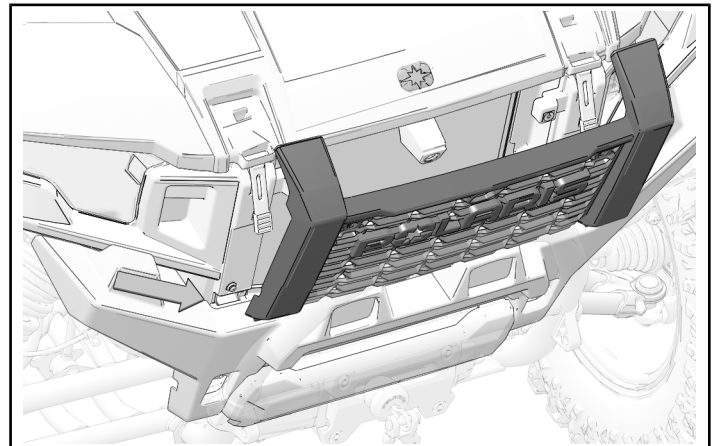
1. Insert the tabs on the hood through the openings in the underhood liner. Then lower the hood into position.



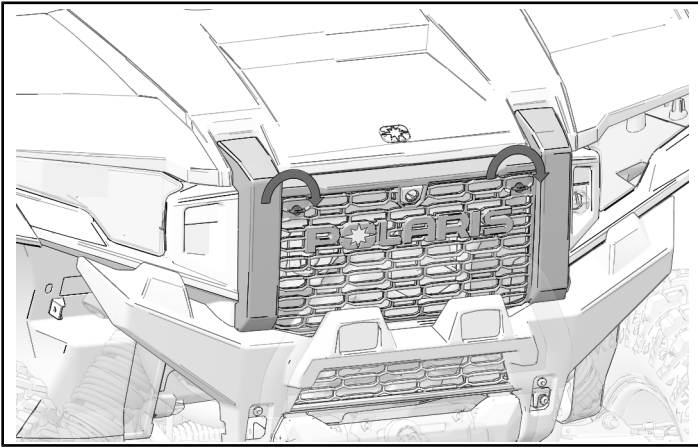
2. Pull the rubber straps down over the hooks to secure the hood.



3. Insert tabs on the grill through the openings in the front fascia. Push the top of the grill into the proper position.



4. Push each stud in and turn one-quarter turn clockwise to secure the grill.



## OPERATION

Read *Winch Guide* thoroughly before connecting winch remote to winch socket or using wireless remote to operate the winch.

## INSTRUCTION FEEDBACK FORM

A feedback form has been created for the installer to provide any comments, questions or concerns about the installation instructions. The form is viewable on mobile devices by scanning the QR code or by clicking [HERE](#) if viewing on a PC.

