

# MIDSIZE RANGER WIRELESS REMOTE KIT



P/N 2889561

## BEFORE YOU BEGIN

Read these instructions and check to be sure all parts and tools are accounted for. Please retain these installation instructions for future reference and parts ordering information.

## APPLICATION

Verify accessory fitment at [www.polaris.com](http://www.polaris.com).

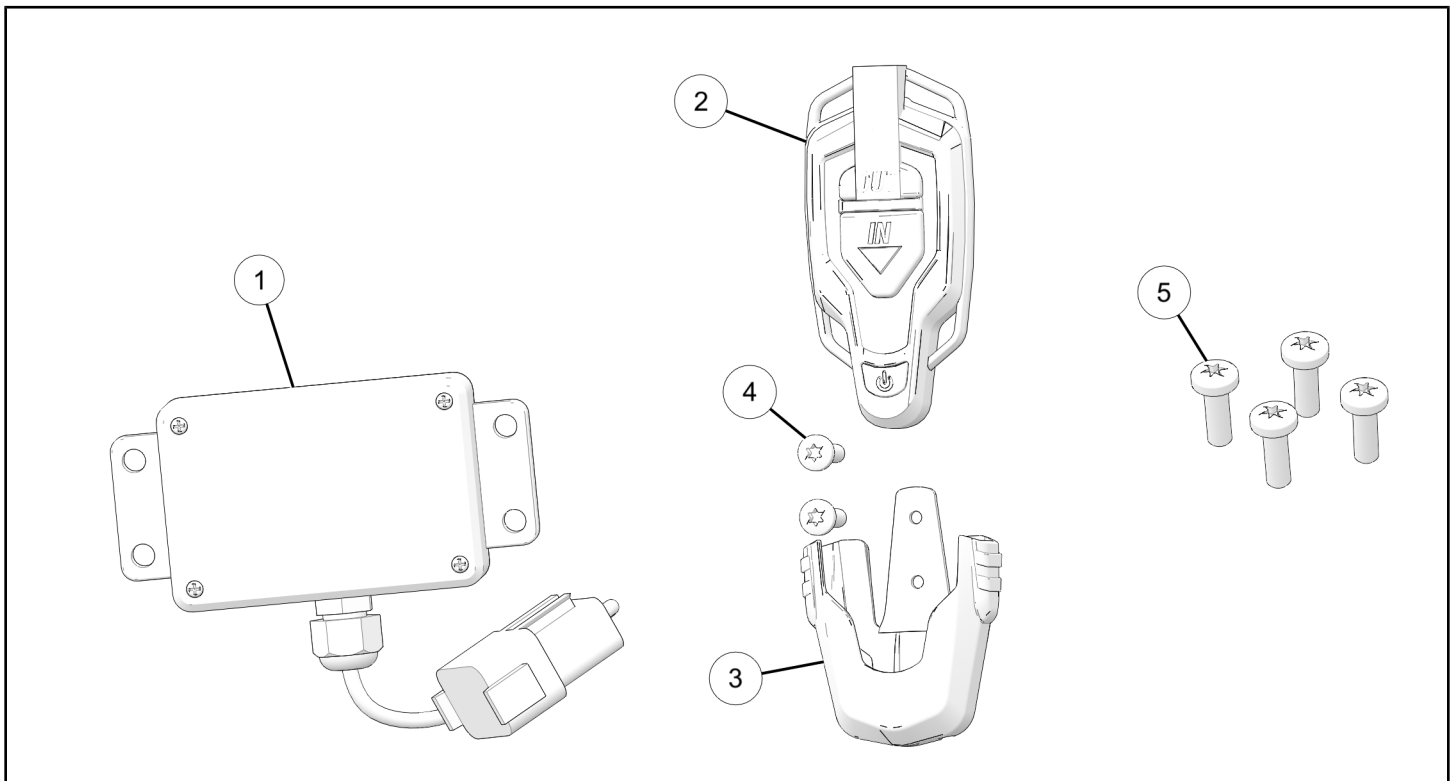
## REQUIRED SOLD SEPARATELY

**Vehicles without factory installed Autostop only:**

Only parts for installation of the Midsize Ranger Wireless Remote Kit are included. Prior installation of the following additional kits are also required (sold separately):

- *Autostop Fairlead Kit P/N 2889840*

## KIT CONTENTS



REF	QTY	PART DESCRIPTION	P/N AVAILABLE SEPARATELY
1	1	Autostop Receiver	2415785
2	1	Wireless Remote	4080061
3	1	Wireless Remote Holder	5454269
4	2	Screw, #10 x 3/4 in	7512026
5	4	Screw, #14 x .75 in	7519731

## TOOLS REQUIRED

- Safety Glasses
- Pliers, Push Pin Rivet
- Socket Set, Hex Bit, Metric
- Socket Set, Metric
- Torque Wrench
- Wrench Set, Metric

## CONSUMABLES REQUIRED

- Zip Ties

## IMPORTANT

Your Midsize Ranger Wireless Remote Kit is exclusively designed for your vehicle. Please read the installation instructions thoroughly before beginning. Installation is easier if the vehicle is clean and free of debris. For your safety, and to ensure a satisfactory installation, perform all installation steps correctly in the sequence shown.

## INSTALLATION INSTRUCTIONS

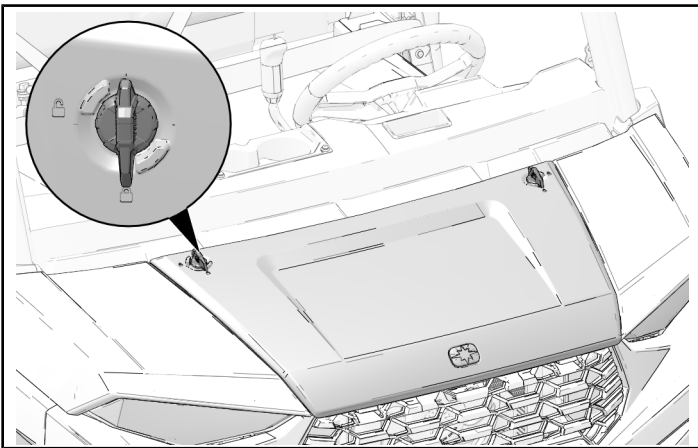
### VEHICLE PREPARATION

#### GENERAL

1. Park vehicle on a flat surface.
2. Shift vehicle into PARK.
3. Turn key to OFF position and remove key.

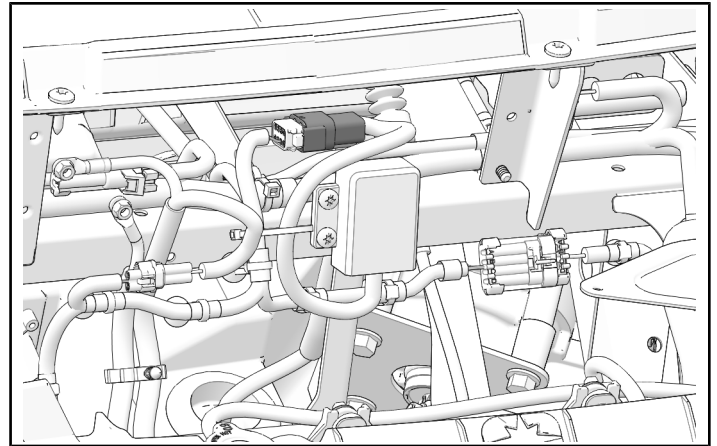
#### HOOD REMOVAL

1. Turn two quarter-turn fasteners to unlock position to remove hood from vehicle.

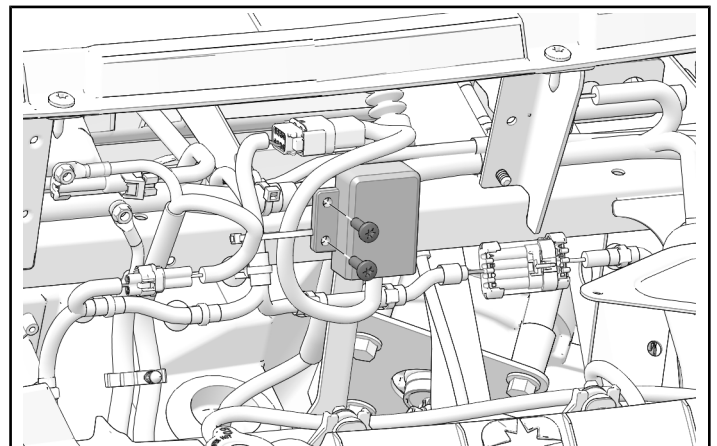


### ACCESSORY INSTALLATION

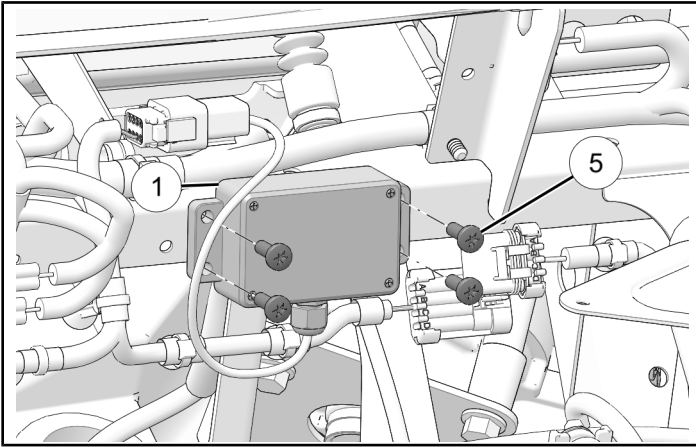
1. Disconnect autostop connector.



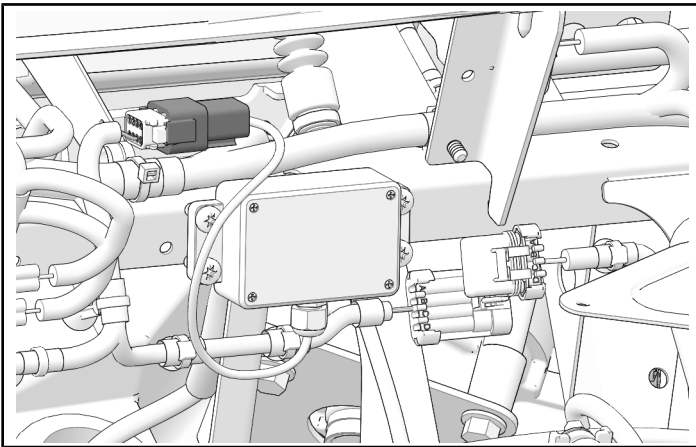
2. Remove two autostop receiver screws and autostop receiver.



3. Install autostop receiver ① onto bracket with four screws ⑤. Torque until full seated



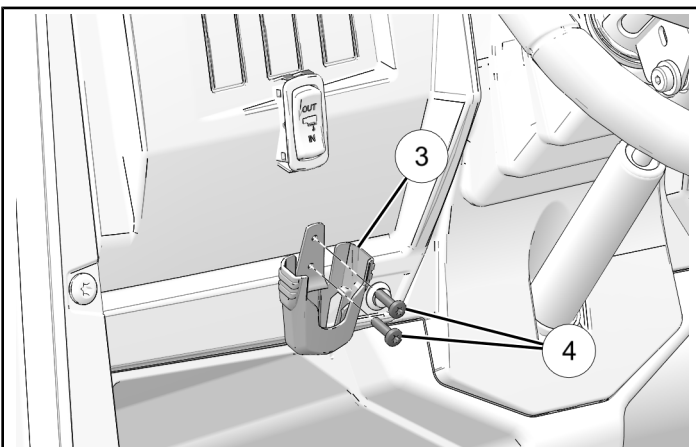
4. Connect connector.



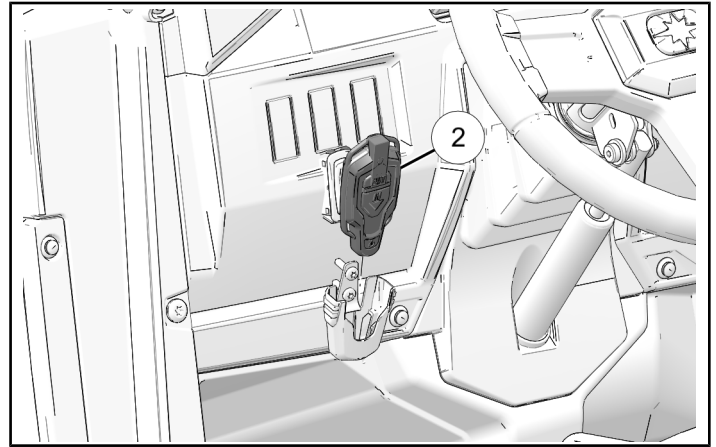
5. Install wireless remote holder ③ with two screws ④ near the steering wheel.

#### NOTICE

Polaris recommends this location for the wireless remote holder.



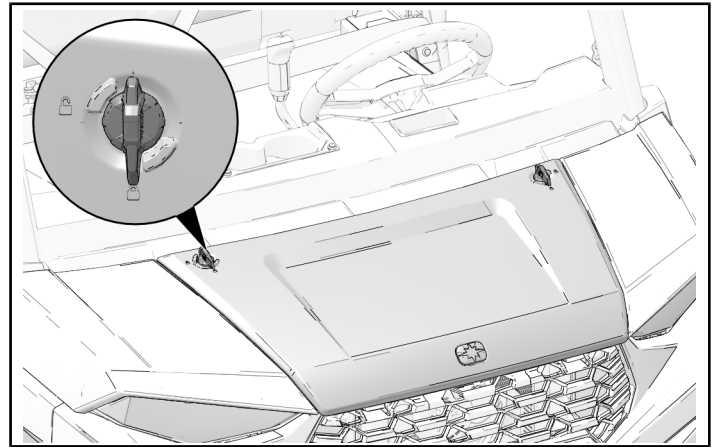
6. Put wireless remote ② into remote holder.



## VEHICLE REASSEMBLY

### HOOD INSTALLATION

1. Align hood with vehicle and turn two quarter-turn fasteners to lock position to install hood.



## OPERATION

Read *Winch Guide* thoroughly before connecting winch remote to winch socket or using wireless remote to operate the winch.

## INSTRUCTION FEEDBACK FORM

A feedback form has been created for the installer to provide any comments, questions or concerns about the installation instructions. The form is viewable on mobile devices by scanning the QR code or by clicking [HERE](#) if viewing on a PC.

