

HOOD SCREEN KIT



P/N 2884979-XXX

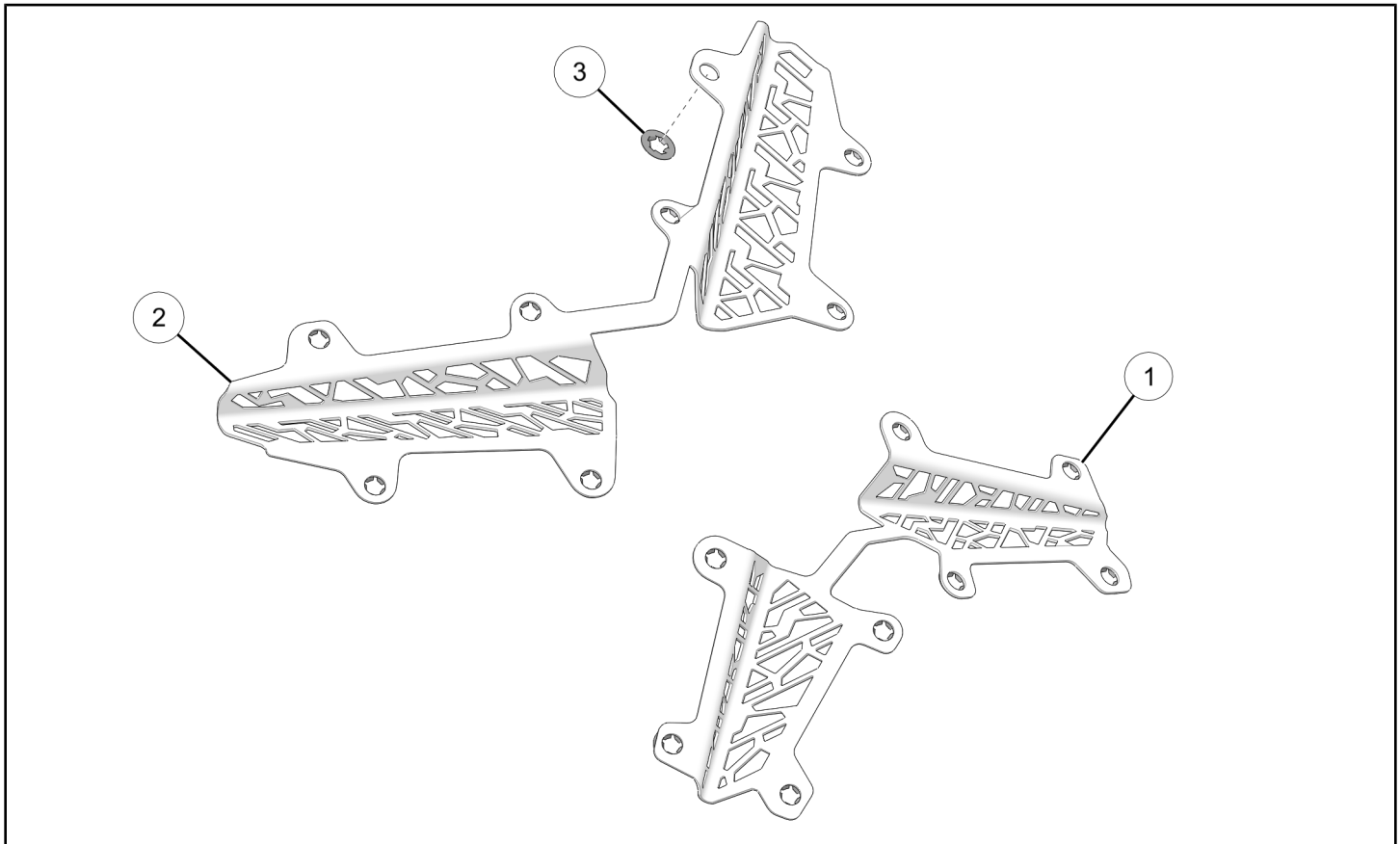
BEFORE YOU BEGIN

Read these instructions and check to be sure all parts and tools are accounted for. Please retain these installation instructions for future reference and parts ordering information.

APPLICATION

Verify accessory fitment at www.polaris.com.

KIT CONTENTS



NOTICE

XXX = [BRAND]® color code (For example: 266 = Black)

REF	QTY	PART DESCRIPTION	P/N AVAILABLE SEPARATELY
1	1	Screen – Hood, Lower	5268325
2	1	Screen – Hood, Mid	5268326
3	16	Retainer – Bolt, (1/4 –20)	7670154

TOOLS REQUIRED

- Safety Glasses
- Pliers, Side Cutting
- Screwdriver, Slotted
- Socket Set, Metric

IMPORTANT

Your Hood Screen Kit is exclusively designed for your vehicle. Please read the installation instructions thoroughly before beginning. Installation is easier if the vehicle is clean and free of debris. For your safety, and to ensure a satisfactory installation, perform all installation steps correctly in the sequence shown.

INSTALLATION INSTRUCTIONS

VEHICLE PREPARATION

GENERAL

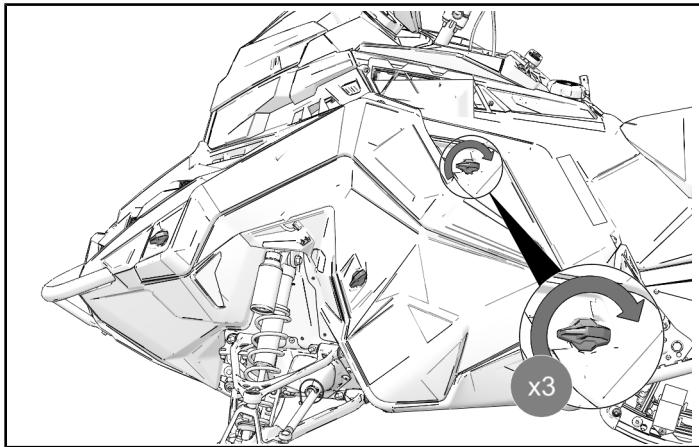
1. Park vehicle on a flat surface.
2. Push engine stop switch to OFF position.
3. Turn key to OFF position and remove key.

SIDE PANEL AND HOOD REMOVAL

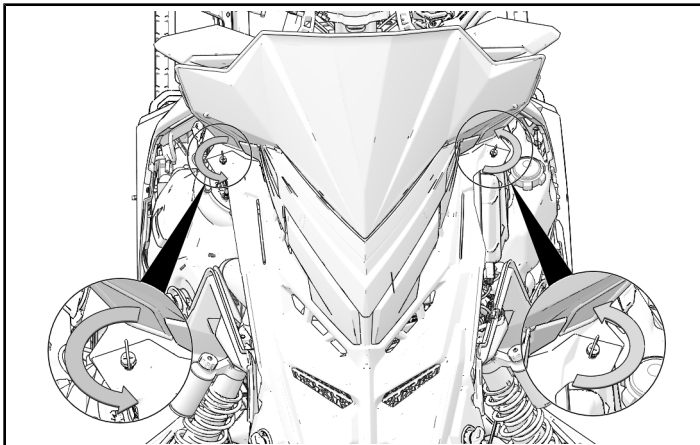
1. Twist three quarter-turn fasteners toward rear of snowmobile. Remove side panel.

NOTICE

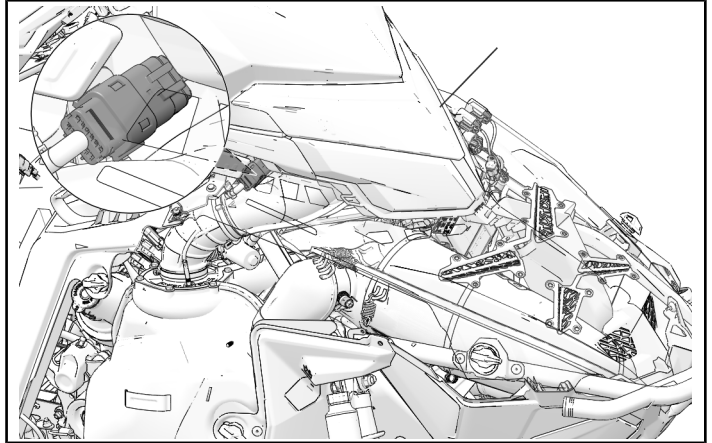
Left side panel shown, right side similar.



2. Twist hood fasteners counterclockwise to release hood.



3. Disconnect hood harness to remove hood.



ACCESSORY INSTALLATION

1. Turn hood over and set on soft surface.

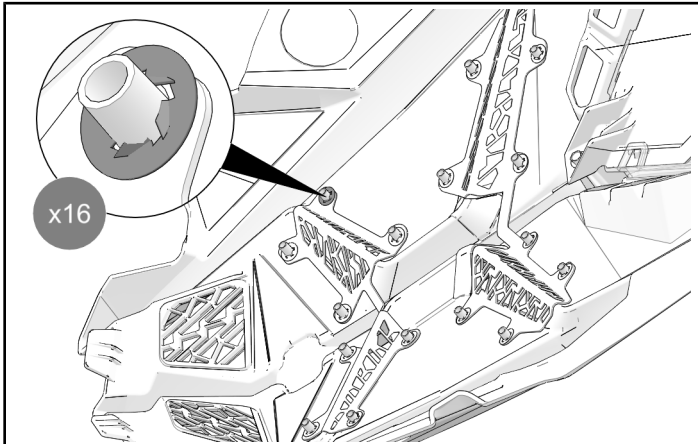
NOTICE

Make sure not to scratch or damage hood.

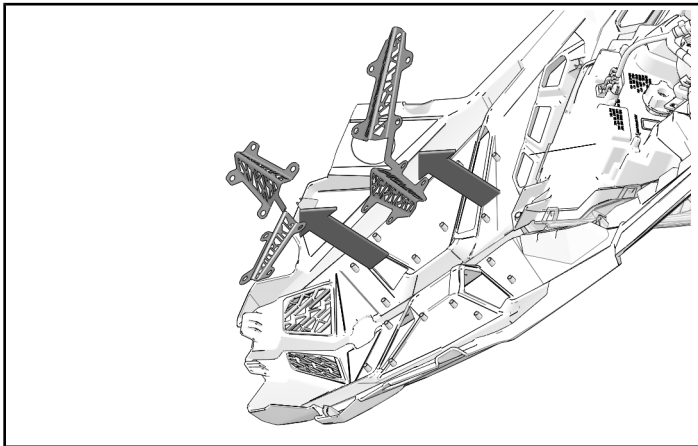
2. Remove 16 retainer nuts. Pry up on nuts slightly with small screwdriver and cut with side cutters to remove.

NOTICE

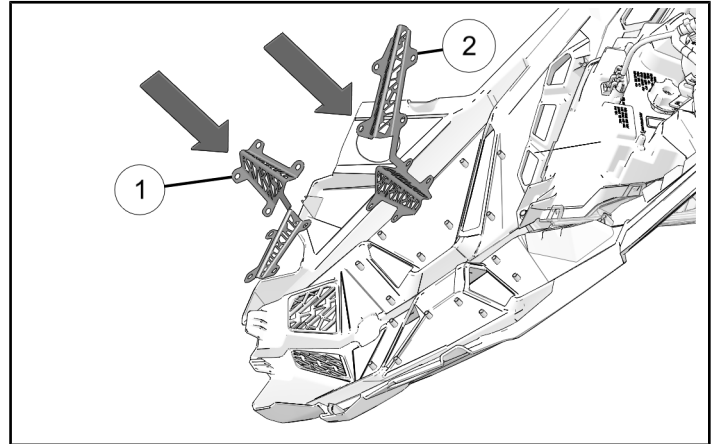
Make sure not to damage hood screen mounting bosses.



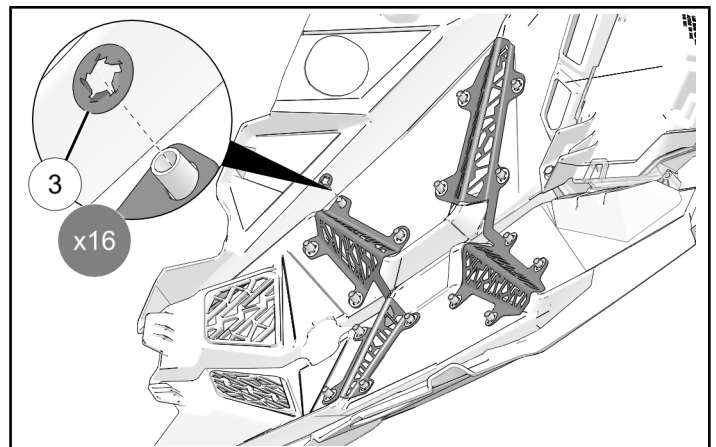
3. Remove mid hood screen and lower hood screen.



4. Install lower hood screen ① and mid hood screen ② onto mounting studs.



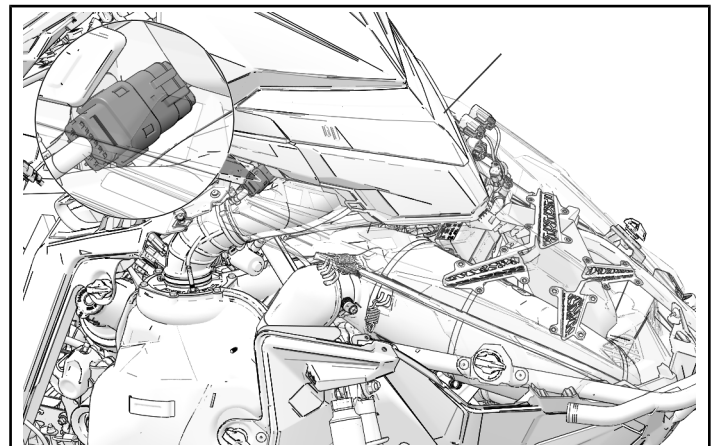
5. Install 16 retainer nuts ③ onto mounting studs. Install retainer nuts using an appropriate size socket. Push down on nuts until fully-seated.



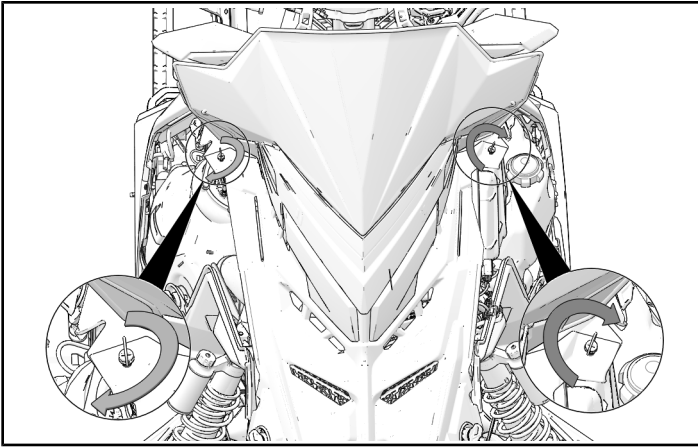
VEHICLE REASSEMBLY

HOOD AND SIDE PANEL INSTALLATION

1. Put hood in position on snowmobile. Connect speedometer wires.



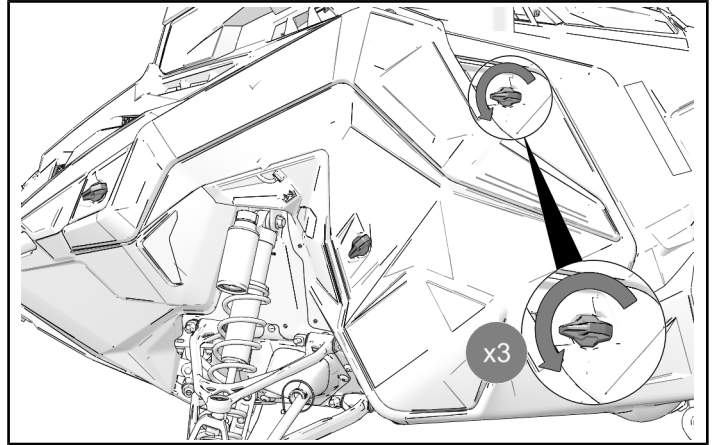
2. Turn quarter turn fasteners clockwise to lock hood.



3. Put side panel in position on snowmobile. Turn three quarter-turn fasteners toward front of snowmobile to lock side panel.

NOTICE

Left side panel shown, right side similar.



INSTRUCTION FEEDBACK FORM

A feedback form has been created for the installer to provide any comments, questions or concerns about the installation instructions. The form is viewable on mobile devices by scanning the QR code or by clicking [HERE](#) if viewing on a PC.

