

WINDSHIELD WIPER KIT



P/N 2890145

IMPORTANT

Due to the technical nature of this kit, Polaris® insists that this installation be performed by a certified Polaris® technician.

BEFORE YOU BEGIN

Read these instructions and check to be sure all parts and tools are accounted for. Please retain these installation instructions for future reference and parts ordering information.

APPLICATION

Verify accessory fitment at www.polaris.com.

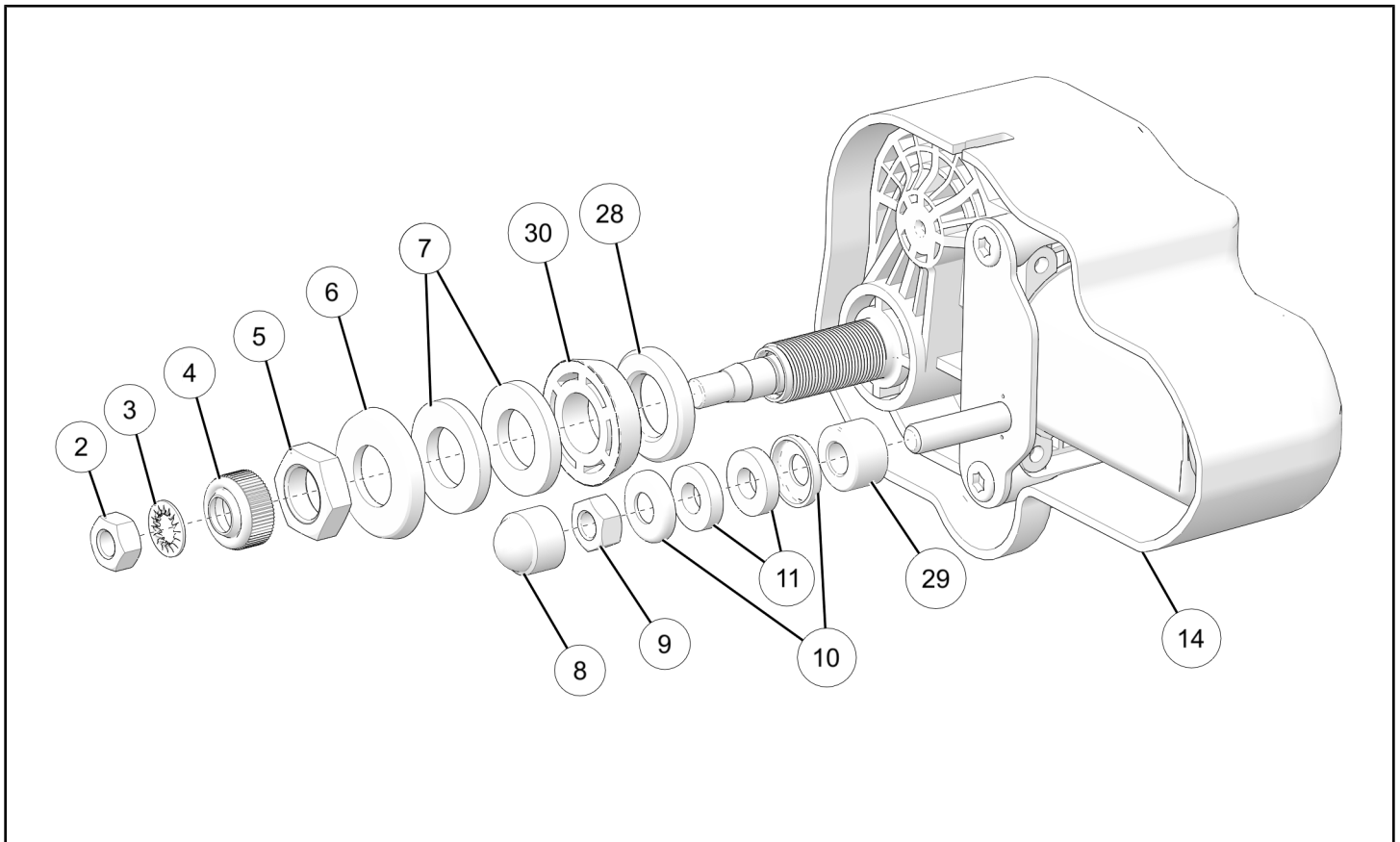
- Washer fluid reservoir is not compatible with Pro R models.

REQUIRED SOLD SEPARATELY

Only parts for installation of the windshield Windshield Wiper Kit are included. Prior installation of the following additional kits are also required (sold separately):

- *Glass Windshield Kit, P/N 2883753*

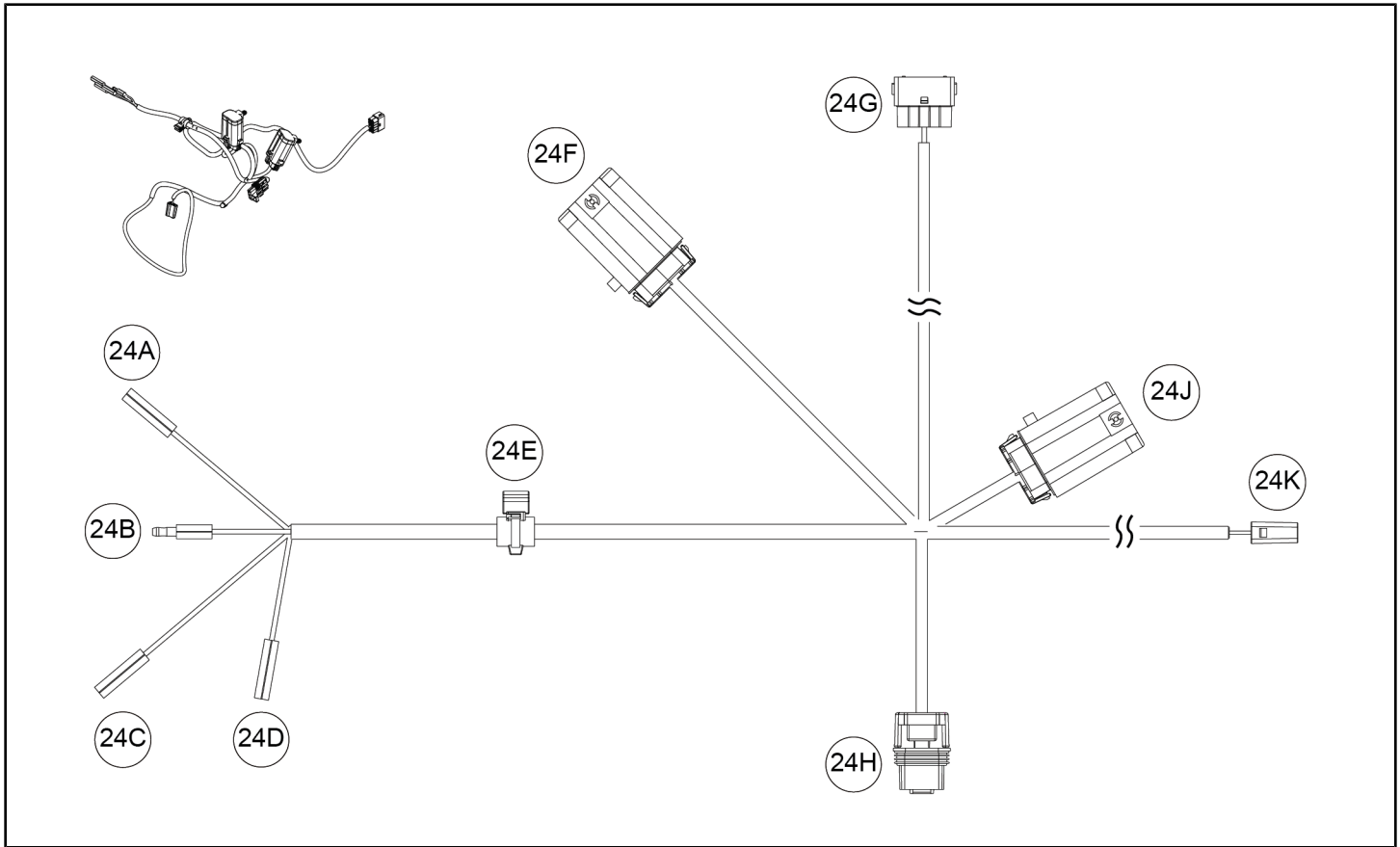
KIT CONTENTS



REF	QTY	PART DESCRIPTION	P/N AVAILABLE SEPERATELY	AVAILABLE SERVICE KIT
1	1	Assembly–Bottle, Washer, Windshield	n/a	2205139
2	1	Nut–M6, Arm	n/a	2208225
3	1	Washer–Arm, (15 x 8.0 x 0.8 mm)	n/a	2208225
4	1	Nut–M16, Pivot Arm, Cap	n/a	2208225
5	1	Nut–Pivot, M16	n/a	2208225
6	2	Support Spacer	n/a	2208225
7	3	Washer–Rubber, (30 x 16.2 x 3.5 mm)	n/a	2208225
8	1	Arm–Stopper, Cap	n/a	2890145
9	1	Nut–M8	n/a	2890145
10	2	Washer–Cupped, Arm Stopper, Inner	n/a	2890145
11	2	Washer–Plastic, (17.5 x 8.2 x 4 mm)	n/a	2890145
12	1	Arm–Wiper, Windshield	2637936	n/a
13	1	Blade–Wiper, Windshield	2637937	n/a
14	1	Motor–Wiper, Windshield	2637935	n/a
15	5	Screw–Torx® Truss Head, M6 x 1.0 x 25	7519650	n/a
16	5	Clip–U, Speed Nut	7081305	n/a
17	1	Bracket–Mount, Washer Bottle	n/a	n/a
18	2	Screw–Truss Head, Torx®, #14 x 3/4 in	7519045	n/a
19	1	Hose–Wiper, Washer Fluid	n/a	n/a
20	3	Cable Tie, 11 in	7080492	n/a
21	1	Clip–Routing, Edge	7082365	n/a
22	1	Switch–Wiper, ON/OFF, Wash	4019182	n/a
23	1	Nozzle–Wiper, Windshield	n/a	n/a
24	1	Harness–Accessory, Wiper, Main (see “Harness Detail.”)	n/a	n/a
25	1	Harness–Accessory, Wiper, ROPS (see “Harness Detail.”)	n/a	n/a
26	2	Knob–M6 x 1.0 x 15 mm	7521155	n/a
27	1	Screw–M6 x 1.0 x 25 mm	7519780	n/a
28	1	Spacer Stud, Wiper	5346068	2209880
29	1	Spacer Stud, Wiper	5346067	2209880
30	1	Retainer	n/a	2208225

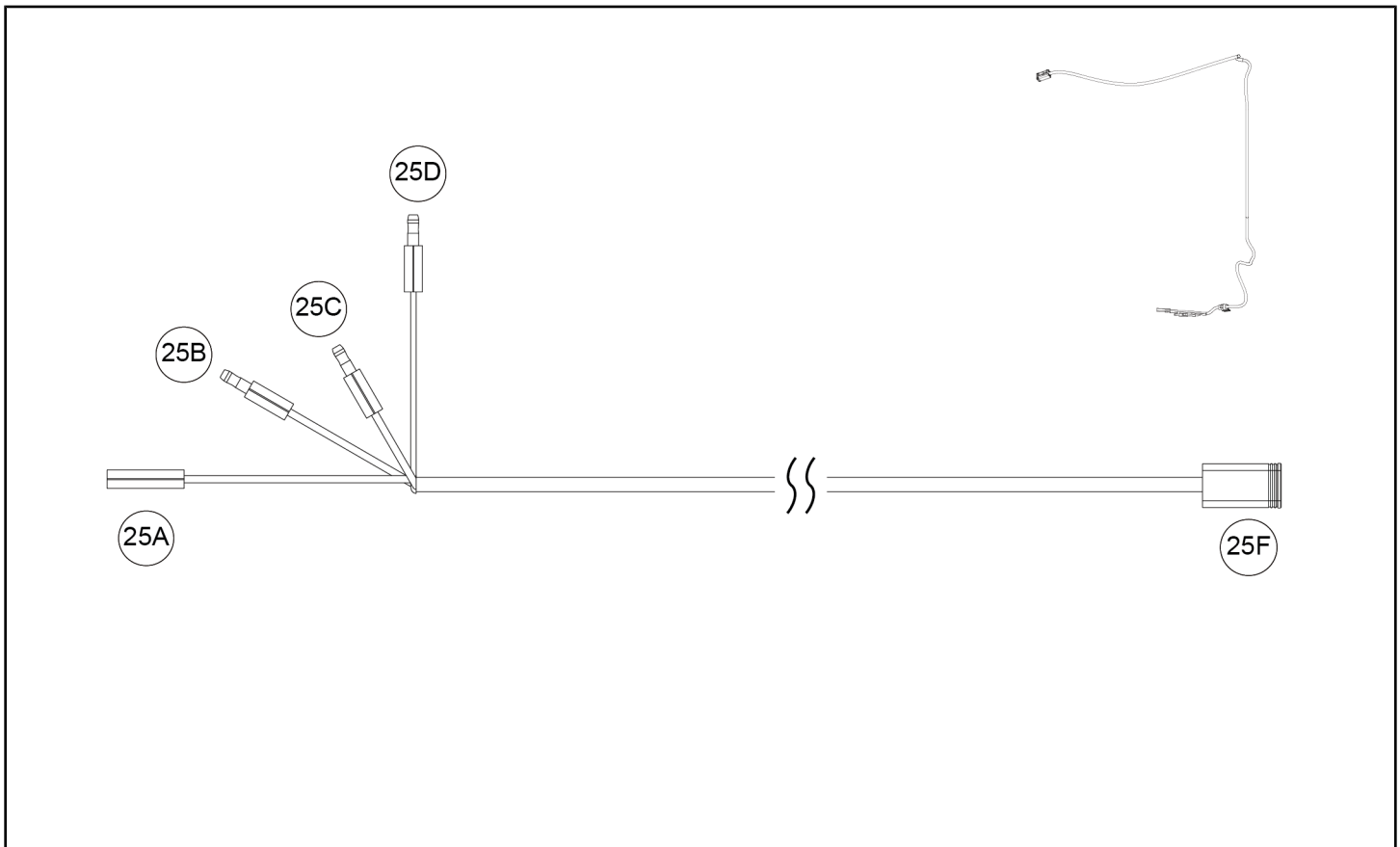
HARNESS DETAIL

MAIN WINDSHIELD WIPER HARNESS



REF	PART DESCRIPTION	WIRE COLOR	PIN QTY / GENDER	CONNECTS TO
24A	Connector–On, Wiper	Light Blue	1 Pin / Female	25B Connector–On, Wiper
24B	Connector–Ground, Wiper	Black	1 Pin / Female	25A Connector–Ground, Wiper
24C	Connector–Power, Wiper	Orange / White	1 Pin / Female	25D Connector–Power
24D	Connector–Park, Wiper	Dark Green	1 Pin / Female	25C Connector–Park, Wiper
24E	Clip–Routing	—	—	Vehicle Structure
24F	Fuse Block	—	—	Accessory Mounting Panel
24G	Connector— Wiper	n/a	10 Pin / Female	② Switch–Wiper, ON/OFF, Wash
24H	Connector–Polaris Pulse®	n/a	10 Pin / Female	Polaris Pulse® bar
24J	Fuse Block	—	—	Accessory Mounting Panel
24K	Connector–Washer Pump	n/a	2 Pin / Female	① Assembly–Bottle, Washer, Windshield

ROPS WINDSHIELD WIPER HARNESS



REF	PART DESCRIPTION	WIRE COLOR	PIN QTY / GENDER	CONNECTS TO
25A	Connector–Ground, Wiper	Black	1 Pin / Female	24B Connector–Ground, Wiper
25B	Connector–On, Wiper	Light Blue	1 Pin / Male	24A Connector–On, Wiper
25C	Connector–Park, Wiper	Dark Green	1 Pin / Male	24D Connector–Park, Wiper
25D	Connector–Power,	Orange / White	1 Pin / Male	24C Connector–Power, Wiper
25E	(not used)	—	—	—
25F	Connector–Wiper	n/a	4 Pin / Female	⑭ Motor–Wiper, Windshield

TOOLS REQUIRED

- Safety Glasses
- Cutting Tool
- Drill
- Drill Bit:
 - 5/16 in (9 mm)
- Fish Tape (or equivalent)
- Pliers, Push Pin Rivet
- Screwdriver Set, Torx®
- Socket Set, Metric
- Socket Set, Torx® Bit
- Tape Measure
- Torque Wrench
- Wrench, Adjustable, 10 in
- Wrench Set, Metric

CONSUMABLES REQUIRED

- Windshield Washer Fluid

IMPORTANT

Your Windshield Wiper Kit is exclusively designed for your vehicle. Please read the installation instructions thoroughly before beginning. Installation is easier if the vehicle is clean and free of debris. For your safety, and to ensure a satisfactory installation, perform all installation steps correctly in the sequence shown.

INSTALLATION INSTRUCTIONS

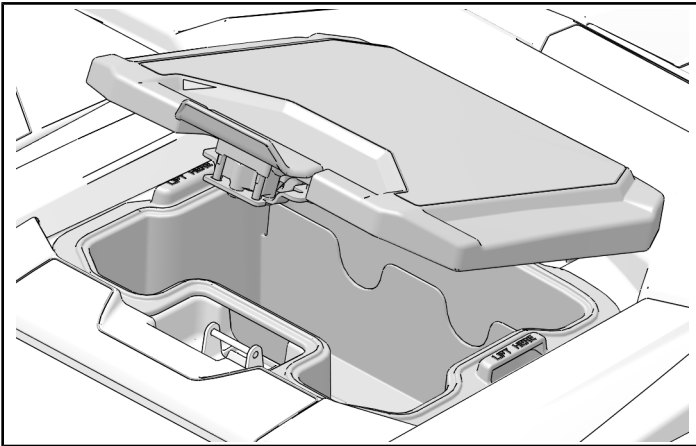
VEHICLE PREPARATION

GENERAL

1. Park vehicle on a flat surface.
2. Shift vehicle into PARK.
3. Turn key to OFF position and remove key.

DASHBOARD STORAGE REMOVAL

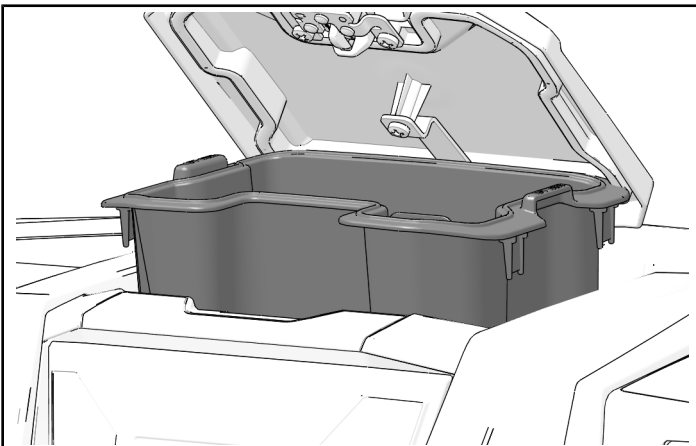
1. Open center dashboard storage compartment.



2. Remove storage compartment from dashboard.

TIP

If removing storage compartment is difficult, carefully use tool to pry storage compartment upwards where marked "LIFT HERE."

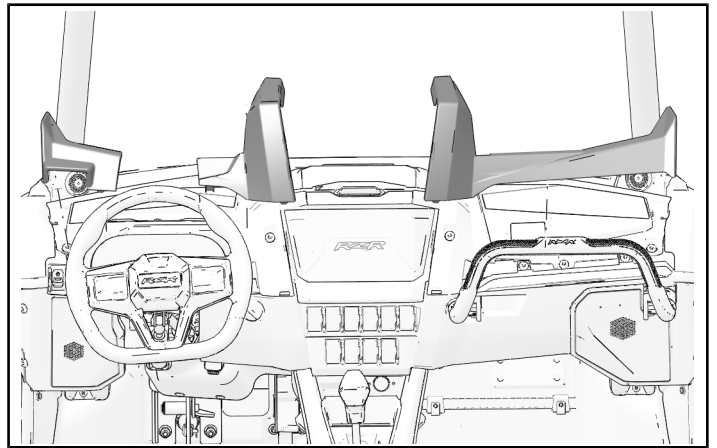


DASHBOARD TOP REMOVAL

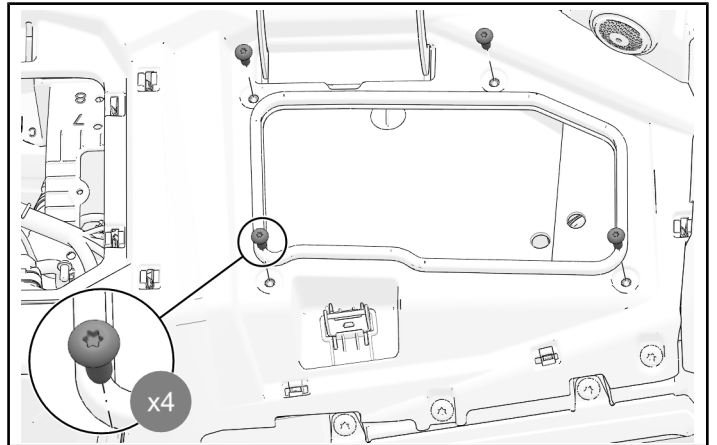
1. Carefully pull up to remove left, center, and right dashboard trim pieces.

TIP

Release steering tilt lock for improved access.



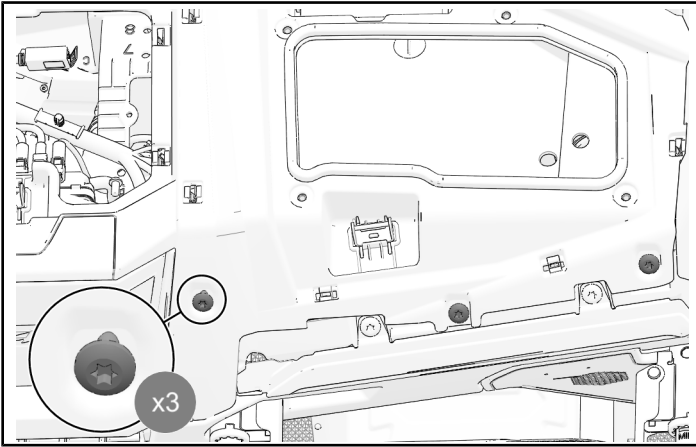
2. Open glove box lid. Remove and keep four dashboard fasteners around glove box opening.



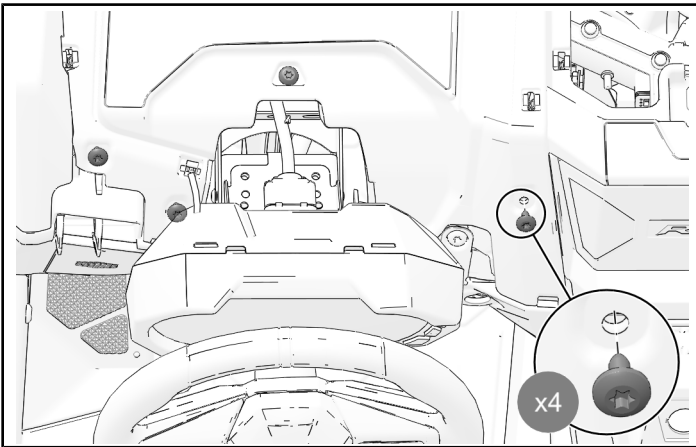
3. Remove and keep three front dashboard fasteners around glove box opening.

TIP

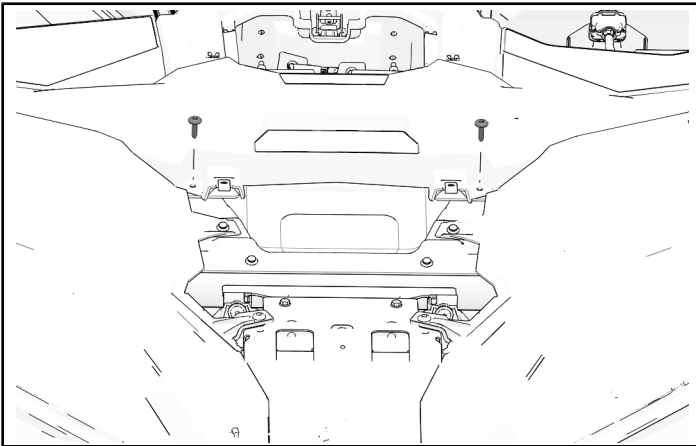
Make note of different screw sizes in steps 2 and 3.



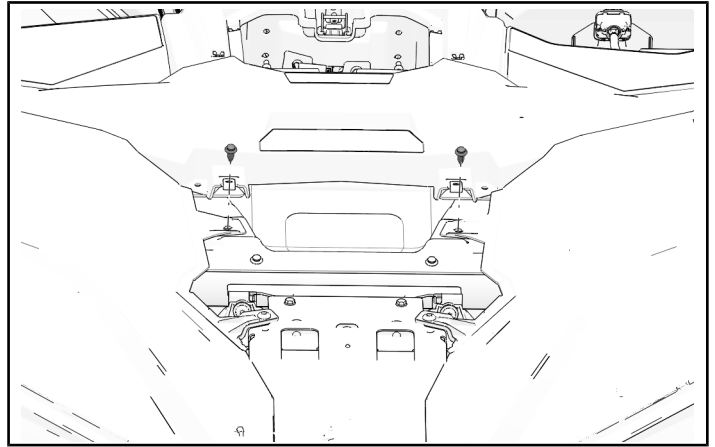
4. Tilt steering wheel down. Remove and keep four dashboard fasteners from dashboard surrounding steering wheel.



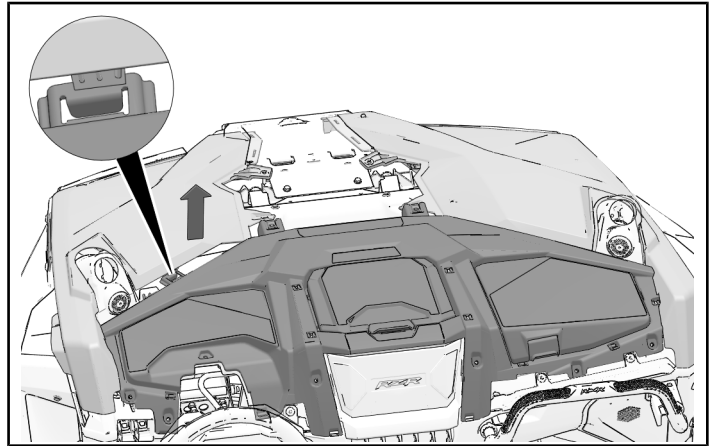
5. Remove and keep two dashboard fasteners from front of vehicle.



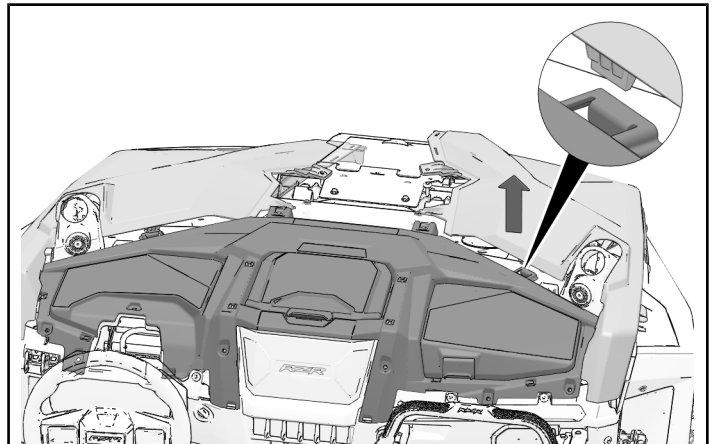
6. Remove and keep two push-pin rivets from front side hood panels.



7. Carefully lift edge of left front hood panel to release tab from dashboard top as shown.



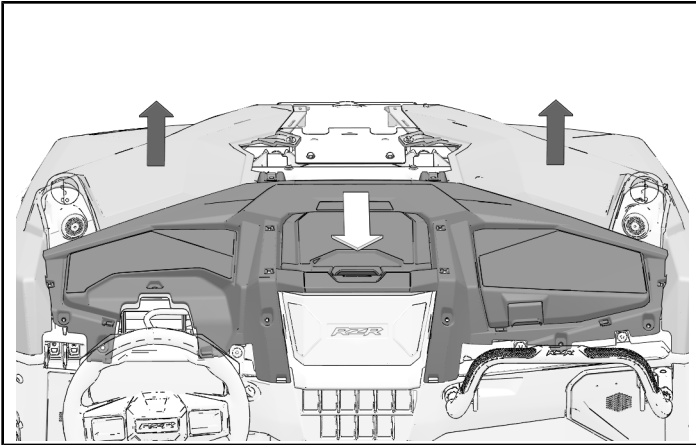
8. Carefully lift edge of right front hood panel to release tab from dashboard top as shown.



- Carefully keep panels up-and-away from tabs and remove dashboard top by tilting rear section up and pulling out toward rear.

TIP

Two people are recommended to complete this step.

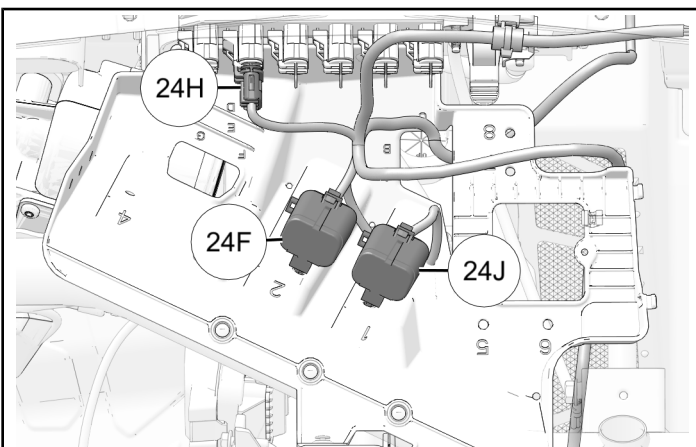


ACCESSORY INSTALLATION

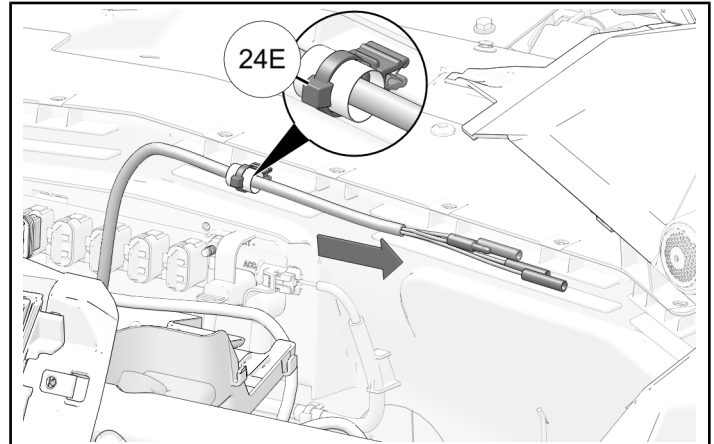
MAIN WINDSHIELD WIPER HARNESS

- Place main wiper harness 24 within accessory mounting panel and join the following connectors:

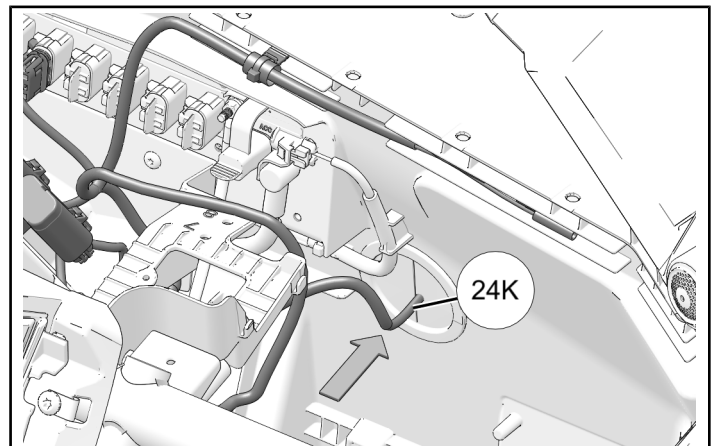
REF	CONNECTS TO
24F	Accessory Mounting Panel
24H	Polaris Pulse® bar
24J	Accessory Mounting Panel



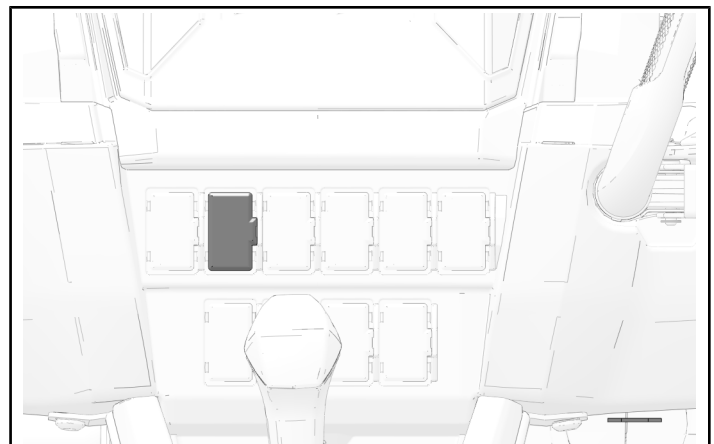
- Route bundle of four connectors (24A, 24B, 24C, and 24D) to right A-pillar. Secure to vehicle with edge clip 24E.



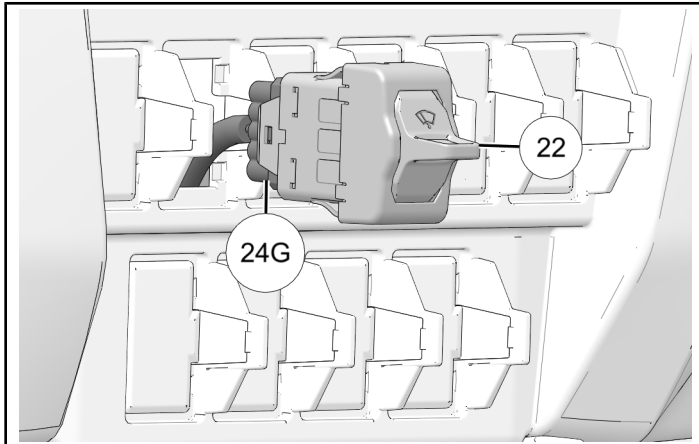
- Route washer pump connector 24K through front floor panel grommet.



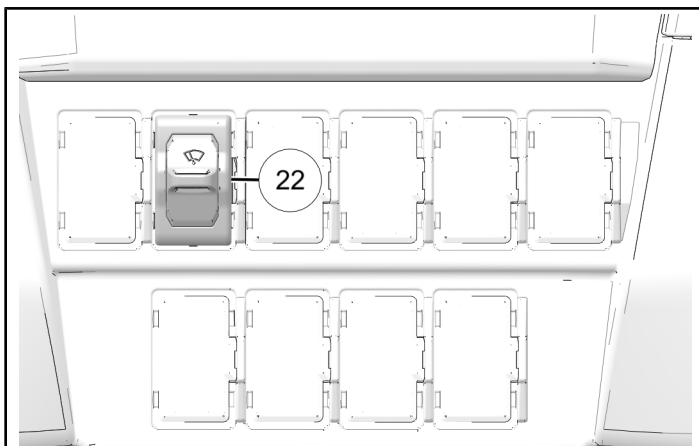
- Remove switch blank from lower dash panel.



- Route switch connector 24G below accessory mounting panel to switch opening and connect to switch 22.

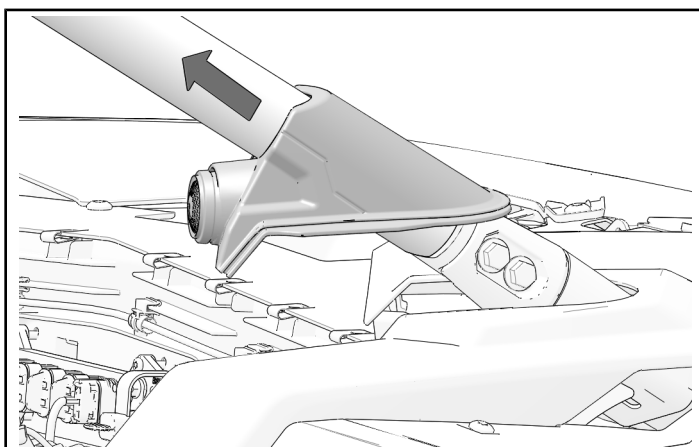


- Push switch 22 into lower dash panel until tabs snap into place. Note switch orientation shown in graphic.

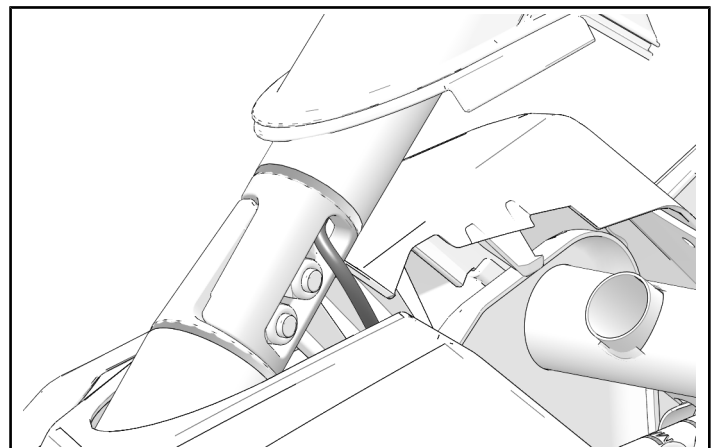


ROPS WINDSHIELD WIPER HARNESS

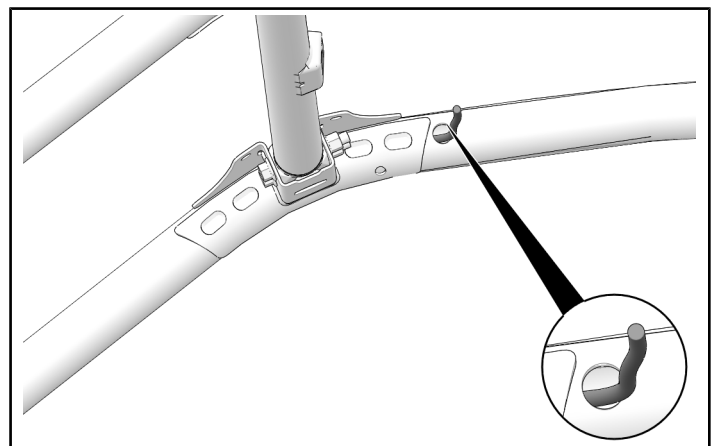
- Slide right rubber boot up ROPS to reveal lower brace of A-pillar.



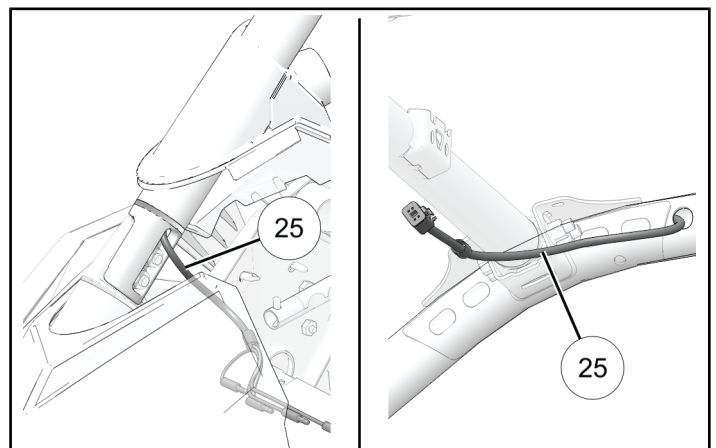
- Feed fish tape (or equivalent) into opening of lower brace and up A-pillar, toward top cross-beam.



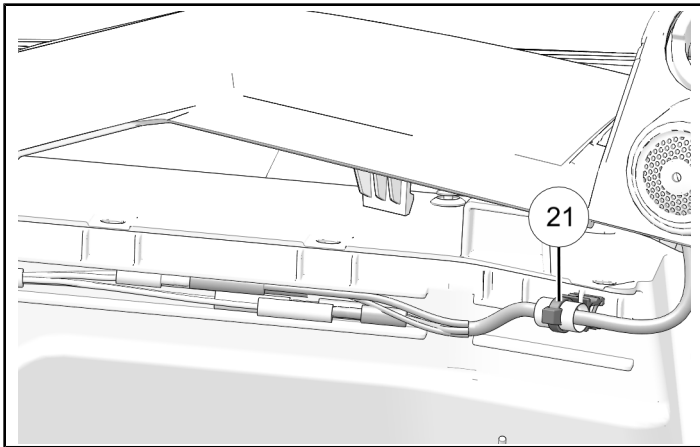
- Locate fish tape and pull from round opening, as shown.



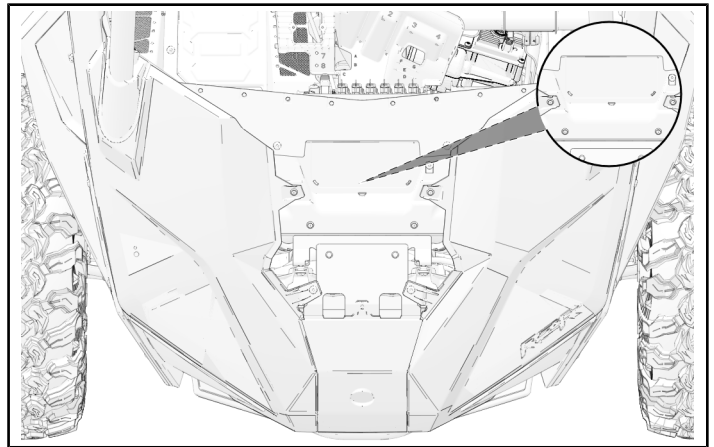
- Tape ROPS harness 25 to fish tape and pull harness through holes and out opening in lower brace.



5. Secure ROPS harness to vehicle with edge clip ⑳.



1. Identify indentation in hood liner.



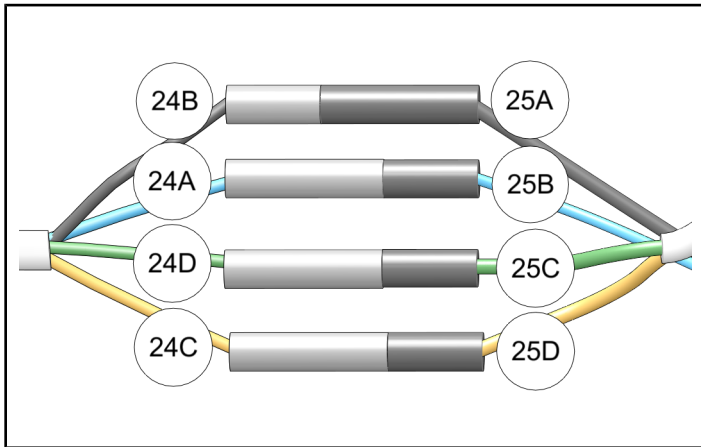
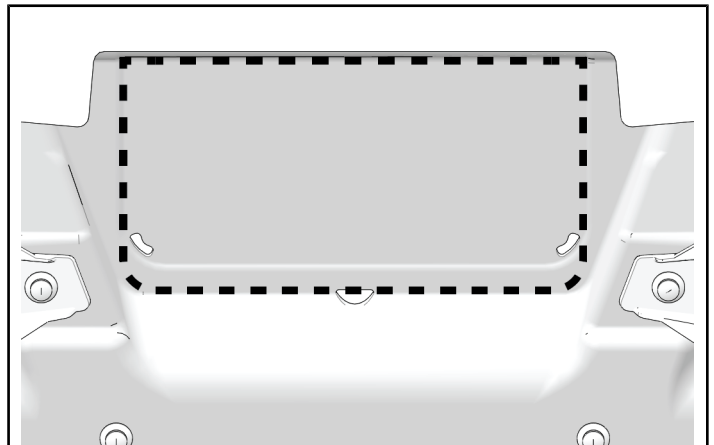
6. Attach main wiper harness ㉔ to ROPS harness ㉕.

REF	WIRE COLOR	REF	WIRE COLOR
24B	Black	25A	Black
24A	Light Blue	25B	Light Blue
24D	Dark Green	25C	Dark Green
24C	Orange / White	25D	Orange / White

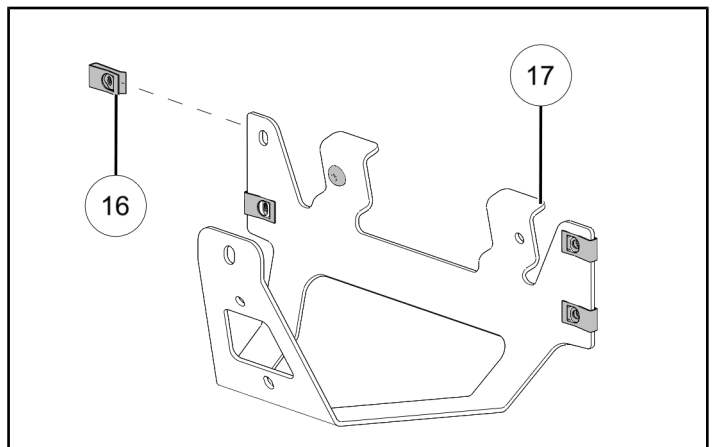
2. With a utility knife, carefully cut around edges of indentation.

IMPORTANT

Control tool depth. Electrical harness and other components are located directly below cut lines.



3. Install four U-clip nuts ㉖ onto bottle mounting bracket ㉗.

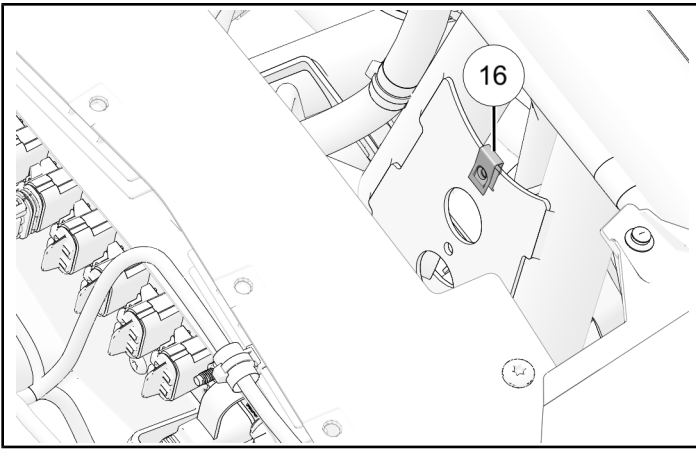


WASHER FLUID BOTTLE INSTALLATION

NOTICE

Washer fluid bottle will not fit Pro R models.

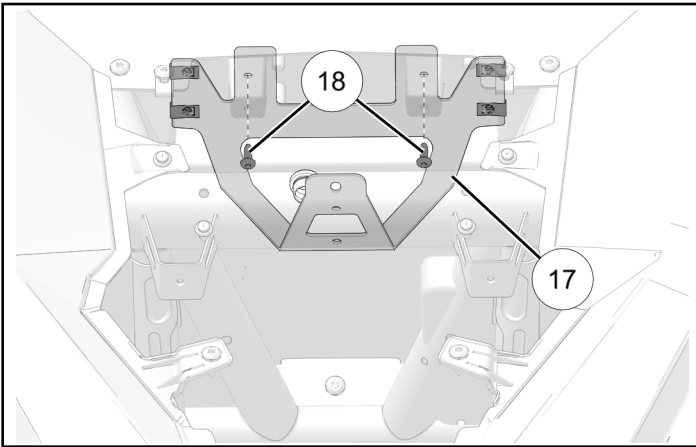
4. Install one U-clip nut **16** onto vehicle chassis.



5. Install bottle mounting bracket **17** onto firewall with two fasteners **18**.

IMPORTANT

Use care to not over-torque fasteners.



6. Install front of bottle mounting bracket **17** onto chassis with one screw **27** and screw **15**.

NOTICE

Only Turbo R models will use screw **27**. Pro XP does not use screw **27**.

NOTICE

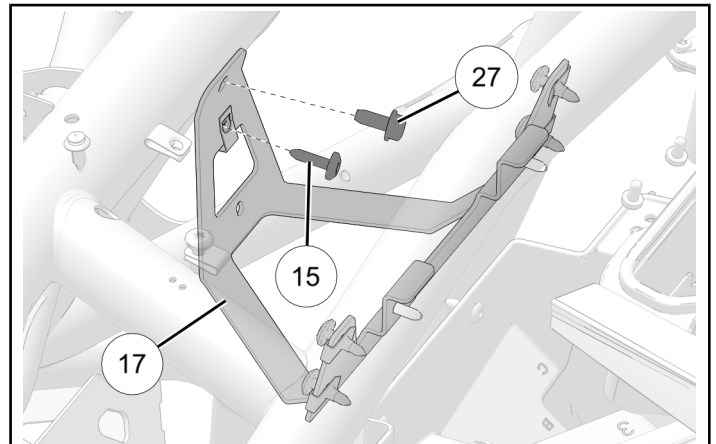
Washer bottle will not fit Pro R models.

TORQUE

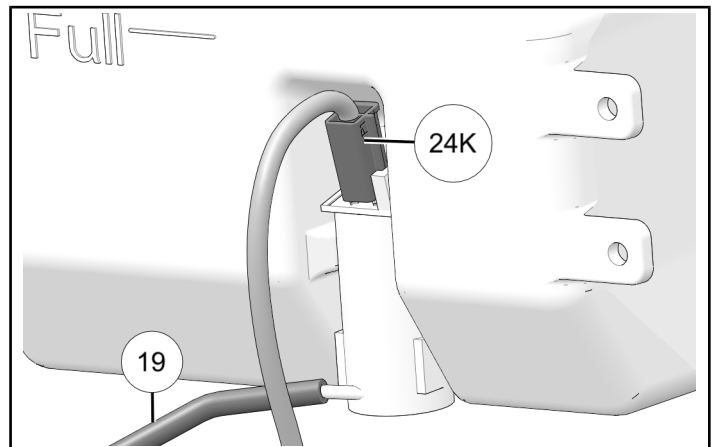
Screw Torque **27**:
106 in-lbs (12 N·m)

TORQUE

Screw Torque **15**:
71 in-lbs (8 N·m)



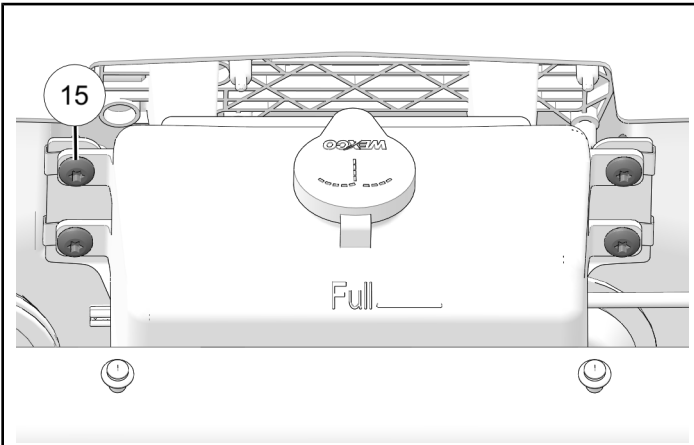
7. Attach washer pump connector **24K** to washer pump. Slide wiper hose **19** onto washer pump until it is tightly secured.



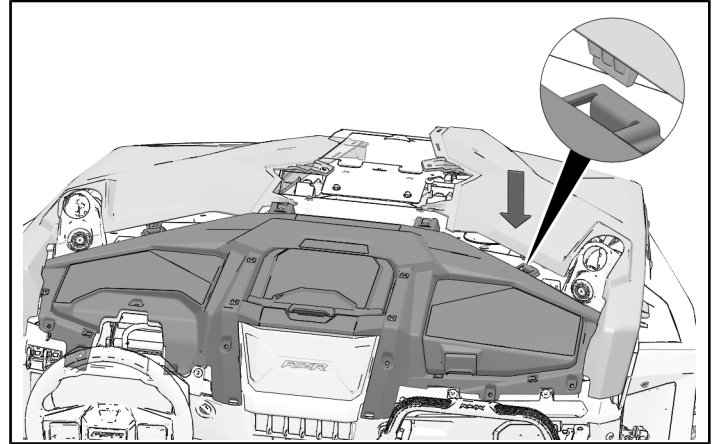
- Place bottle assembly into mounting bracket and attach with four fasteners ⑮.

NOTICE

Make sure wiper hose and harness are clear of all moving vehicle parts. Use cable ties ⑳, as needed.



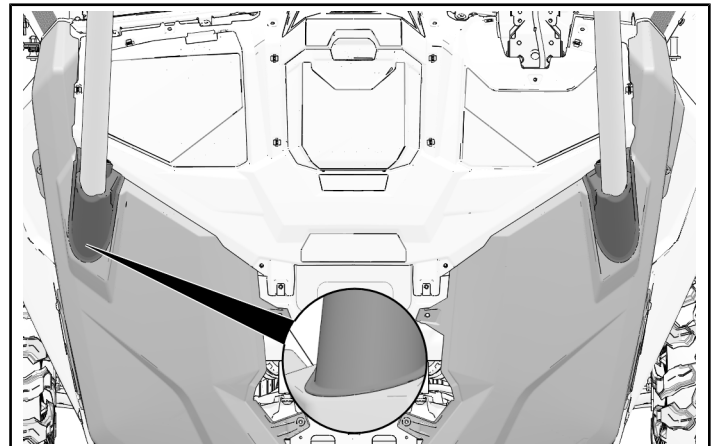
- Make sure tabs on panels are aligned in slots on dashboard top. (Passenger-side panel shown; driver-side panel similar.)



- Make sure both rubber boots are properly seated around hood panels. Only upper lip should be visible, as shown with inset.

TIP

Push up on inside of fender to ease installation.

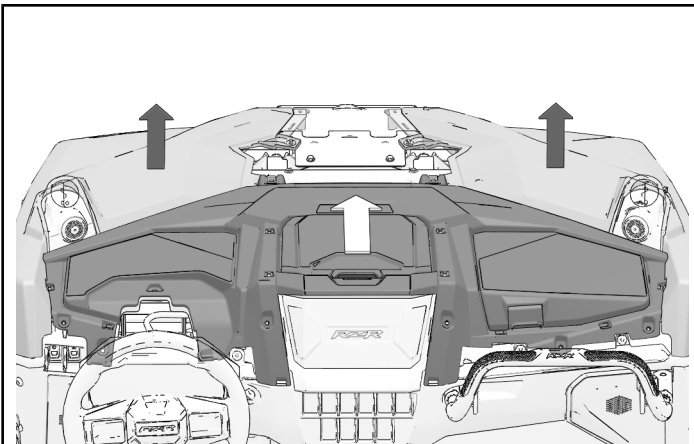


DASHBOARD TOP INSTALLATION

- Carefully lift panels up-and-away from tabs and install dashboard top into place by tilting rear section up and installing front section first, then lower rear section into place.

TIP

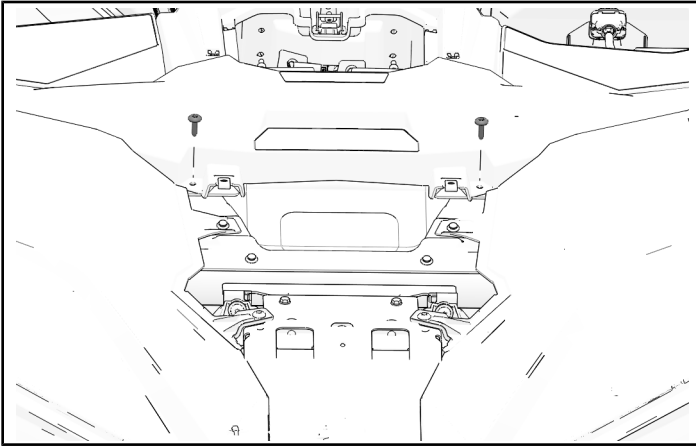
Two people are recommended to complete this step.



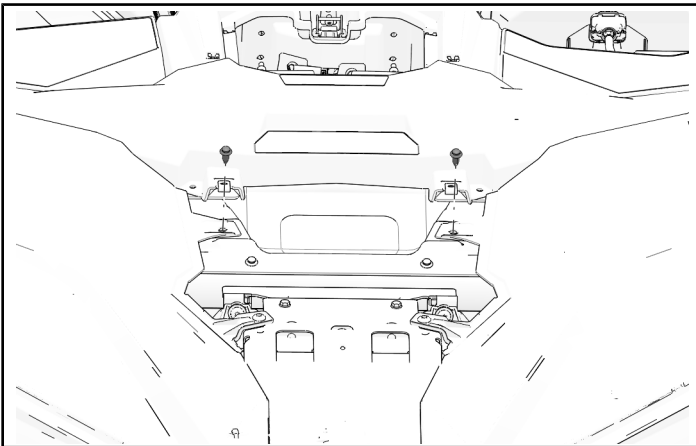
4. Reinstall two retained front dashboard fasteners into front edge of top dashboard.

TORQUE

Front Dashboard Fasteners:
88 in-lbs (10 N·m)



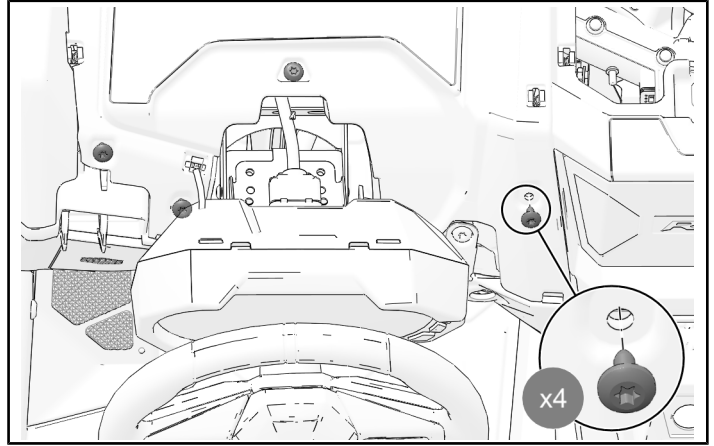
5. Install hood panels to vehicle with two retained push-pin rivets



6. Tilt steering wheel down. Install four retained dashboard fasteners through dashboard top and torque to specification.

TORQUE

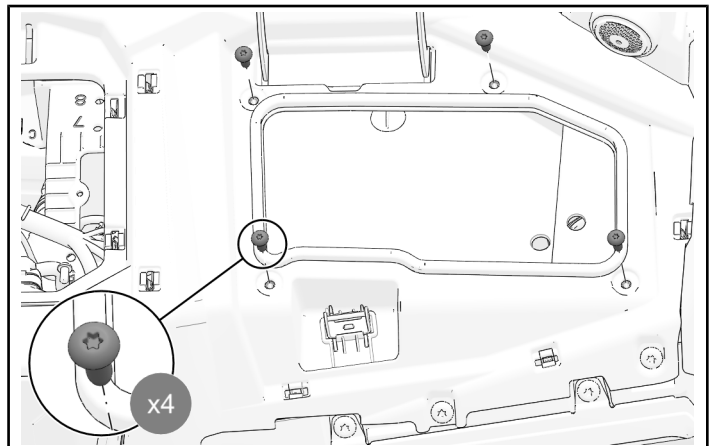
Dashboard Fasteners:
88 in-lbs (10 N·m)



7. Open glove box lid and reinstall storage compartment. Install four retained dashboard fasteners around glove box opening.

TORQUE

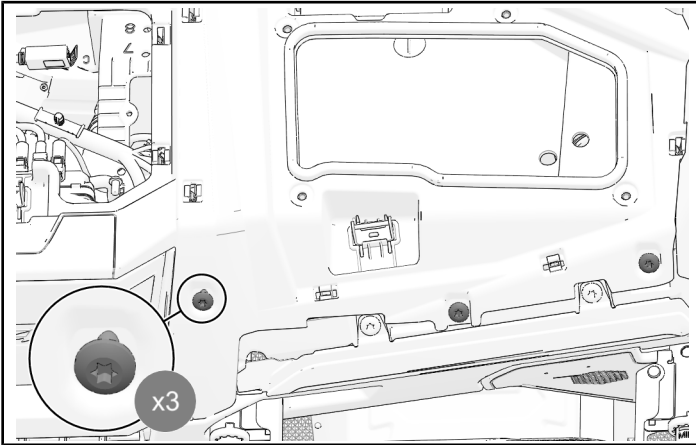
Dashboard Fasteners:
88 in-lbs (10 N·m)



8. Install front of dashboard with three retained dashboard fasteners.

TORQUE

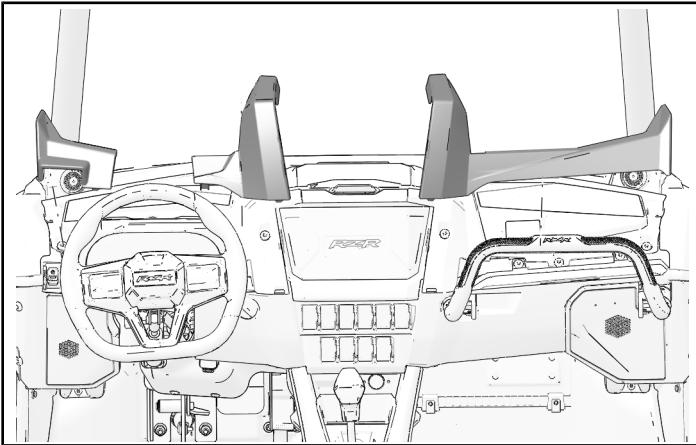
Dashboard Fasteners:
88 in-lbs (10 N·m)



9. Install retained left, center, and right dashboard trim pieces.

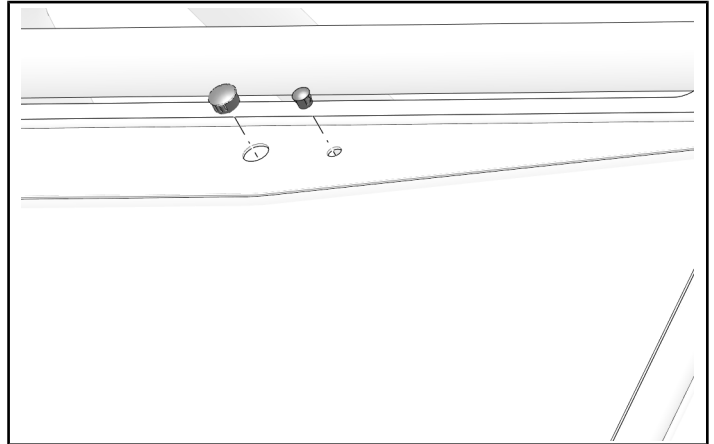
TIP

Release steering tilt lock for improved access.



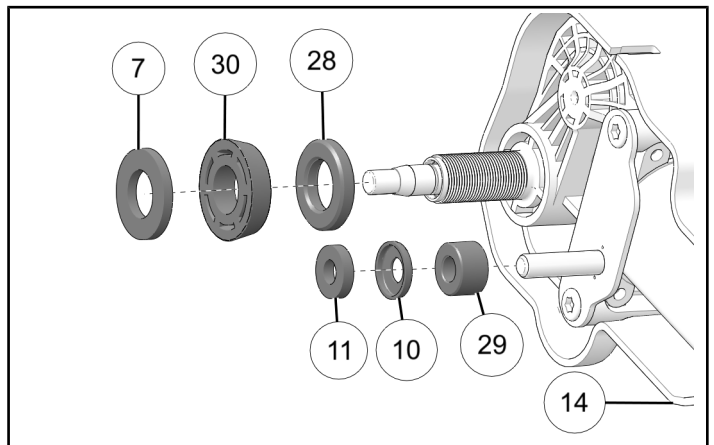
WINDSHIELD WIPER MOTOR INSTALLATION

1. Remove and discard two plugs from top of windshield.



2. Slide the following hardware onto wiper arm shaft and arm stopper shaft on wiper motor (14).

WIPER ARM SHAFT	ARM STOPPER SHAFT
spacer washer (28)	collar (29)
retainer (30)	cupped washer (10)
rubber washer (7)	plastic washer (11)



3. Pass wiper arm shaft and arm stopper shaft through windshield frame and attach with the following:

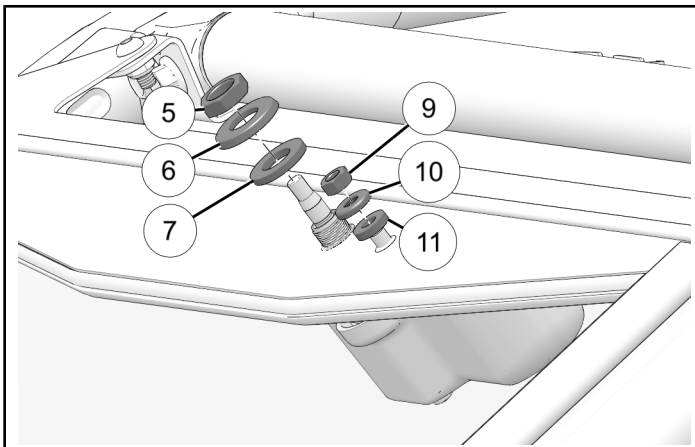
WIPER ARM SHAFT	ARM STOPPER SHAFT
rubber washer ⑦	plastic washer ⑪
cupped washer ⑥	cupped washer ⑩
M16 nut ⑤	M8 nut ⑨

TORQUE

M16 nut ⑤:
3.5 in-lbs (3.5 N·m)

TORQUE

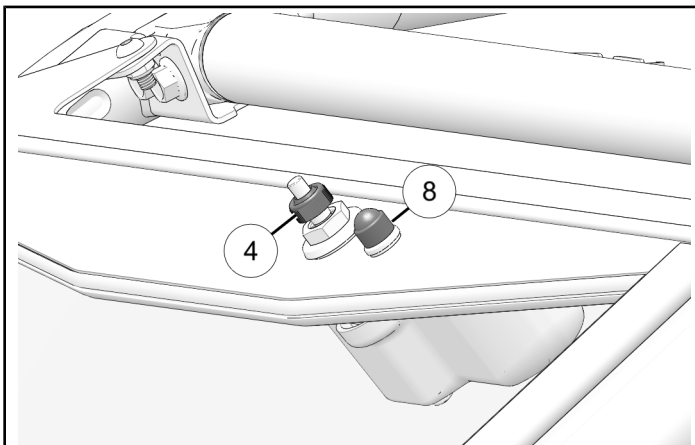
M8 nut ⑨:
71 in-lbs (8 N·m)



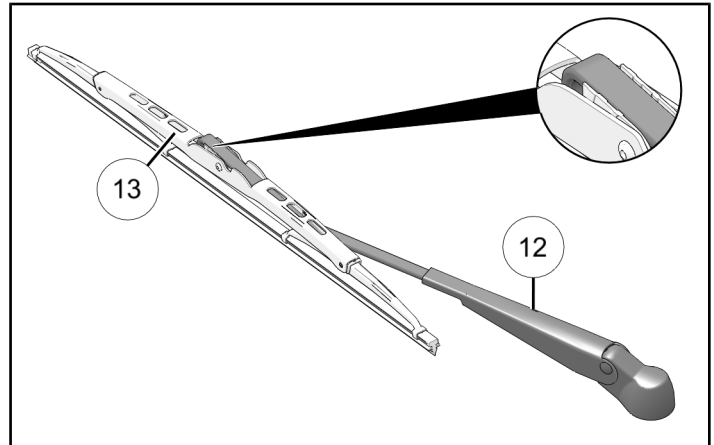
4. Install cap ⑧ over nut on arm stopper shaft. Install wiper arm cap ④ onto wiper arm shaft.

TORQUE

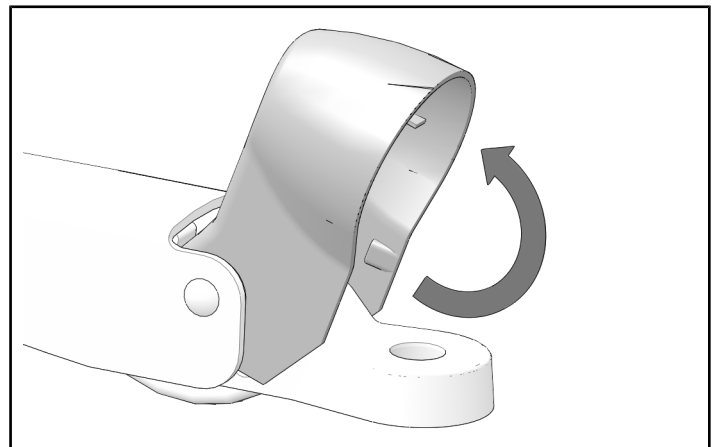
M8 nut ⑧:
15 ft-lbs (21 N·m)



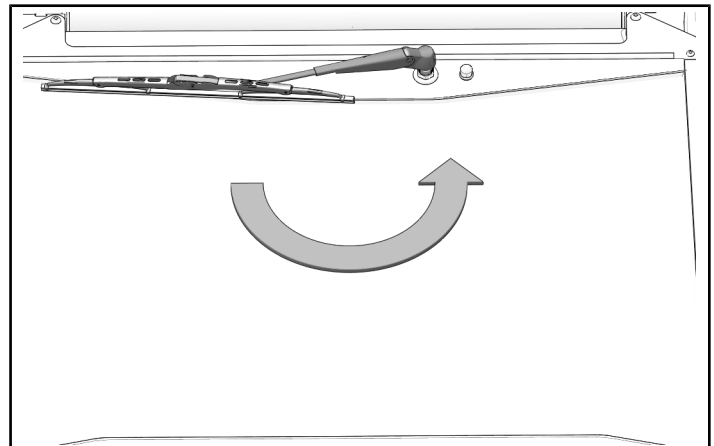
5. Attach wiper arm ⑫ onto wiper blade ⑬, as shown.



6. Lift wiper arm cap to reveal mounting bracket.



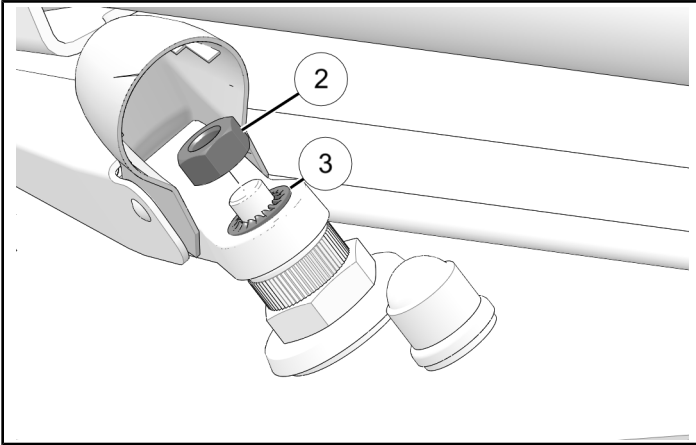
7. Place wiper arm onto wiper arm shaft in a position that will allow wiper blade to fully clean windshield.



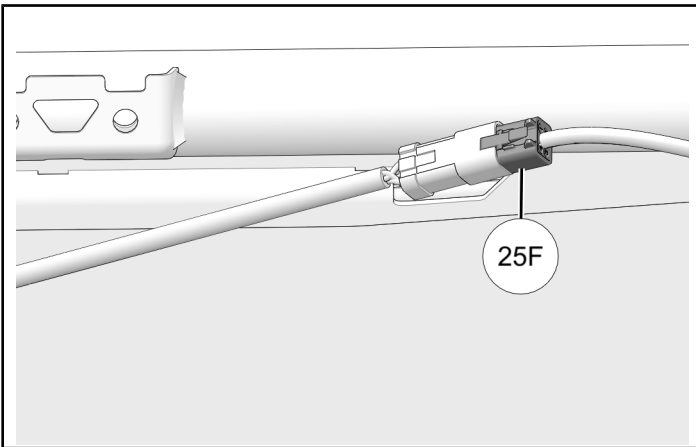
- Attach wiper arm with washer ③ and nut ②.

TORQUE

Wiper Arm Nut ②:
15 ft-lbs (20 N·m)



- Attach wiper motor to ROPS harness connector 25F.



- Attach harnesses to ROPS cross-beam with cable ties ⑳, as needed.

NOZZLE INSTALLATION

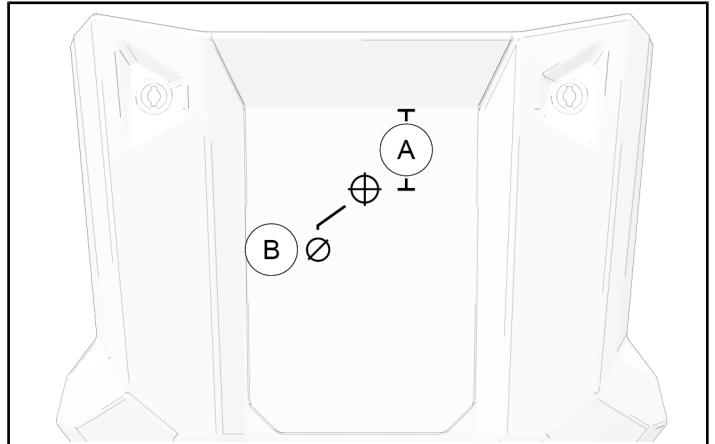
- Drill a **5/16 in (9 mm)** diameter hole **1-3/4 in (45 mm)** from top indentation edge and centered across hood width.

MEASUREMENT

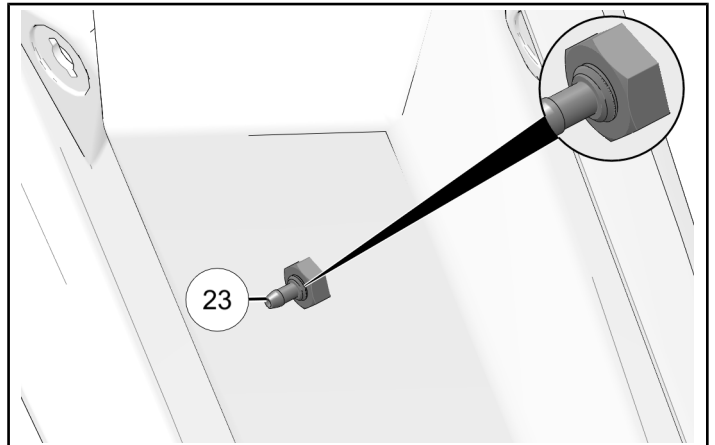
Distance Measurement ①:
1-3/4 in (45 mm)

MEASUREMENT

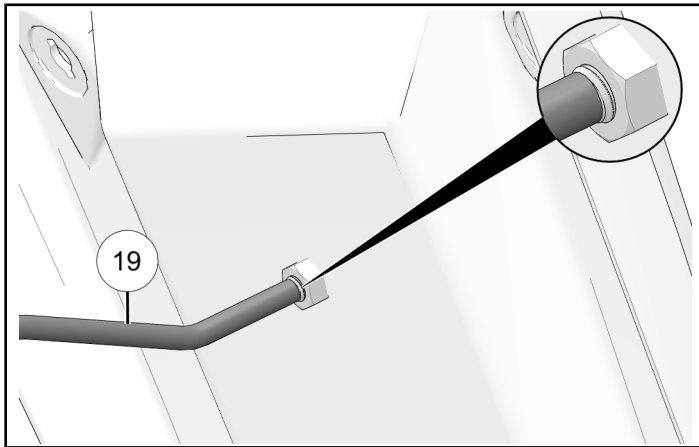
Diameter Measurement \varnothing ②:
5/16 in (9 mm)



- Remove nut from washer nozzle assembly. Pass nozzle ③ through hood panel and secure with nozzle nut.



- Slide wiper hose ⑲ onto nozzle end until it is tightly secured.

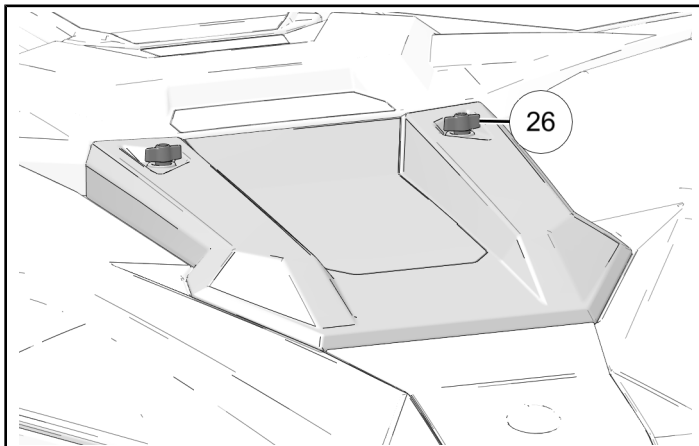


- Fill reservoir with washer fluid. Make sure there are no leaks.

VEHICLE REASSEMBLY

CENTER HOOD PANEL INSTALLATION

- Slide panel forward until tabs slide into front hood panel and install with two knobs ⑳.



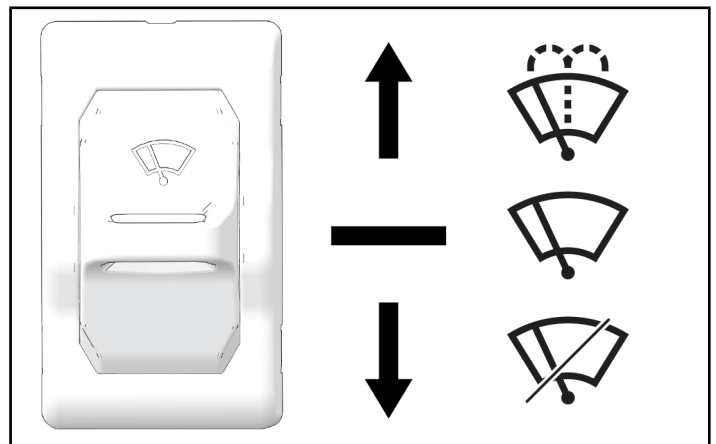
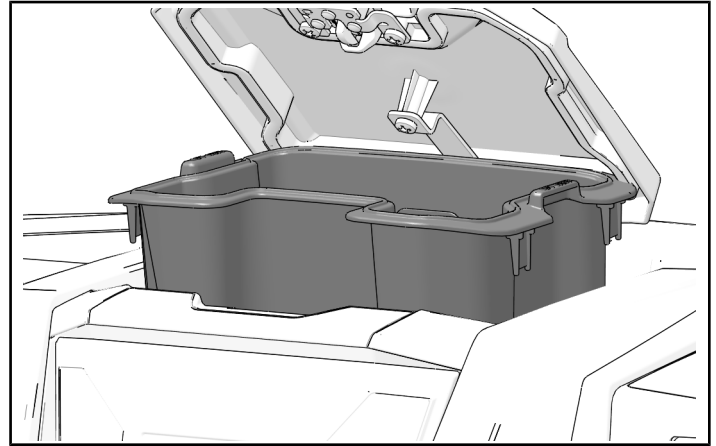
OPERATION

POWERING WINDSHIELD WIPER ON/OFF

Vehicle battery must be turned on for windshield wiper to function.

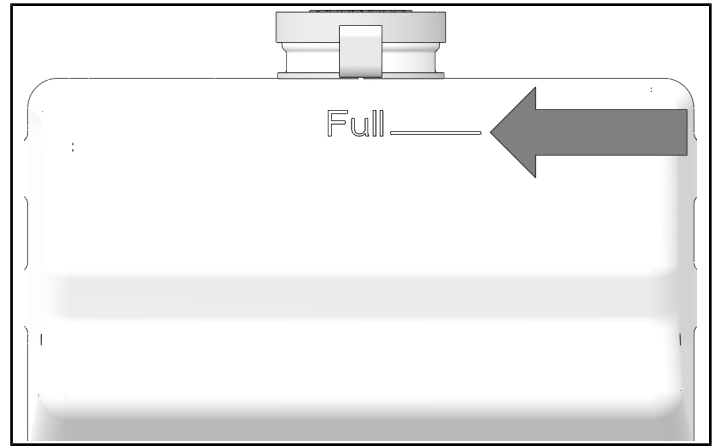
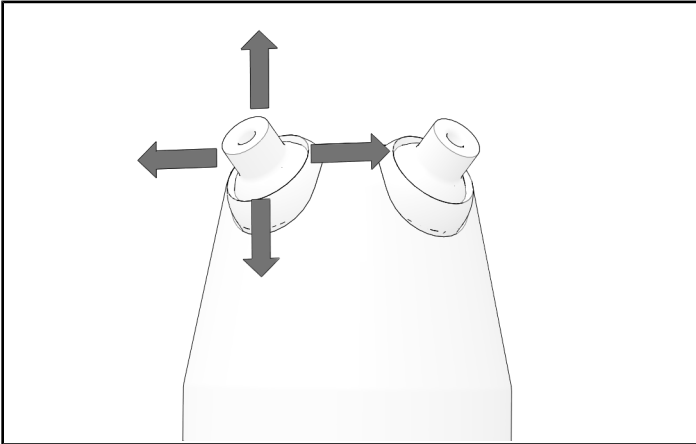
DASHBOARD STORAGE INSTALLATION

- Put storage compartment into dashboard cavity.



NOZZLE ADJUSTMENT

Nozzle can be adjusted by pivoting nozzle opening within assembly.



FILLING WASHER FLUID RESERVOIR

- Remove center hood panel to access washer fluid reservoir.
- Fill reservoir to line marked "Full."
- Never fill reservoir past "Full" line.

INSTRUCTION FEEDBACK FORM

A feedback form has been created for the installer to provide any comments, questions or concerns about the installation instructions. The form is viewable on mobile devices by scanning the QR code or by clicking [HERE](#) if viewing on a PC.

WIPER BLADE REPLACEMENT

PART DESCRIPTION	P/N AVAILABLE SEPERATELY
Blade-Wiper, Windshield	2637937

