

# ROOF BACKBONE KIT



P/N 2889103; 2889104

## BEFORE YOU BEGIN

Read these instructions and check to be sure all parts and tools are accounted for. Please retain these installation instructions for future reference and parts ordering information.

## APPLICATION

Verify accessory fitment at [www.polaris.com](http://www.polaris.com).

## REQUIRED SOLD SEPARATELY

### THREE PASSENGER MODEL

Only parts for installation of the Roof Backbone Kit are included. For complete installation, the following additional kit is required (sold separately):

- *Three Passenger Platform Rack*, P/N 2889236

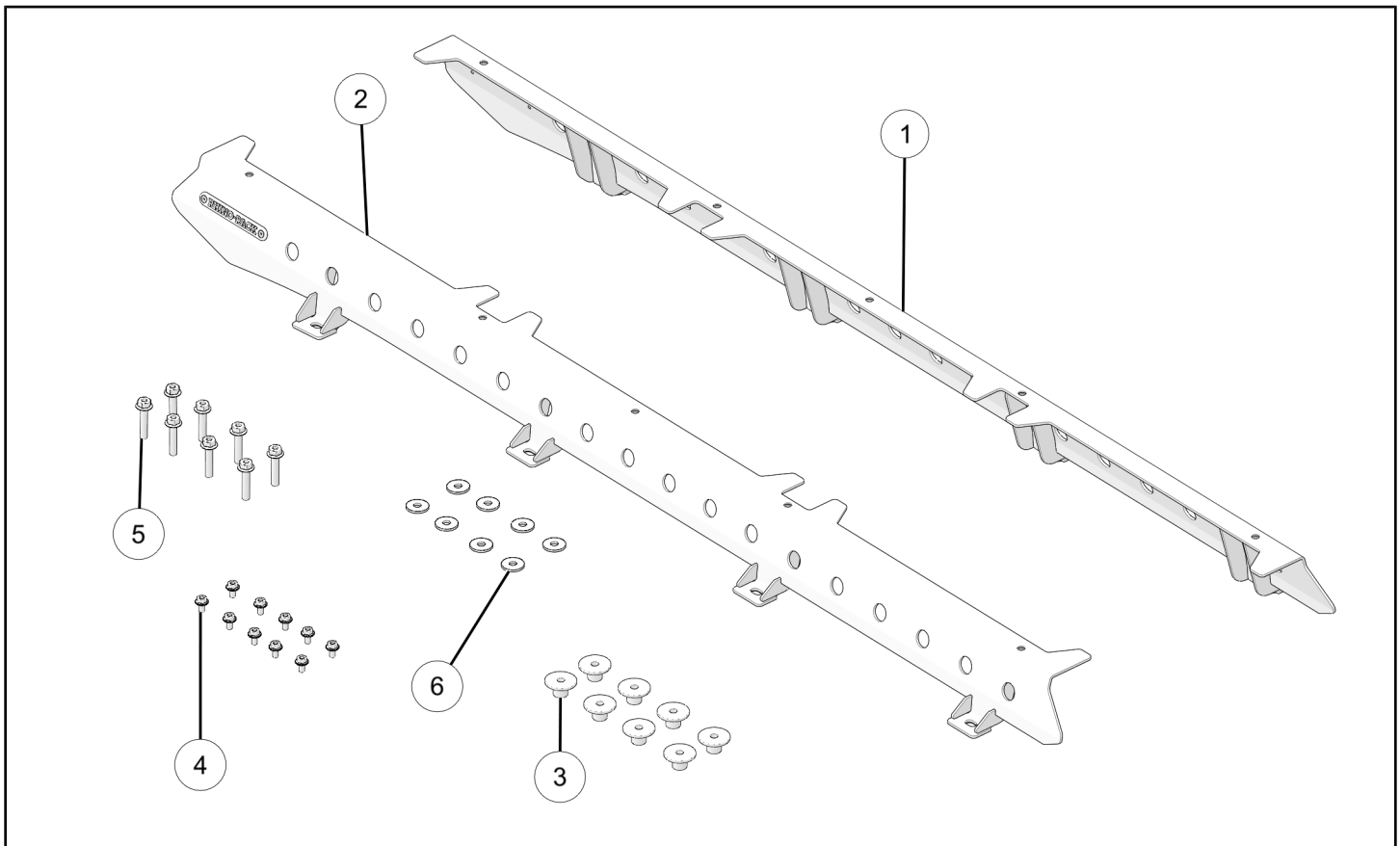
### CREW MODEL

Only parts for installation of the Roof Backbone Kit are included. For complete installation, the following additional kit is required (sold separately):

- *Crew Platform Rack*, P/N 2889237

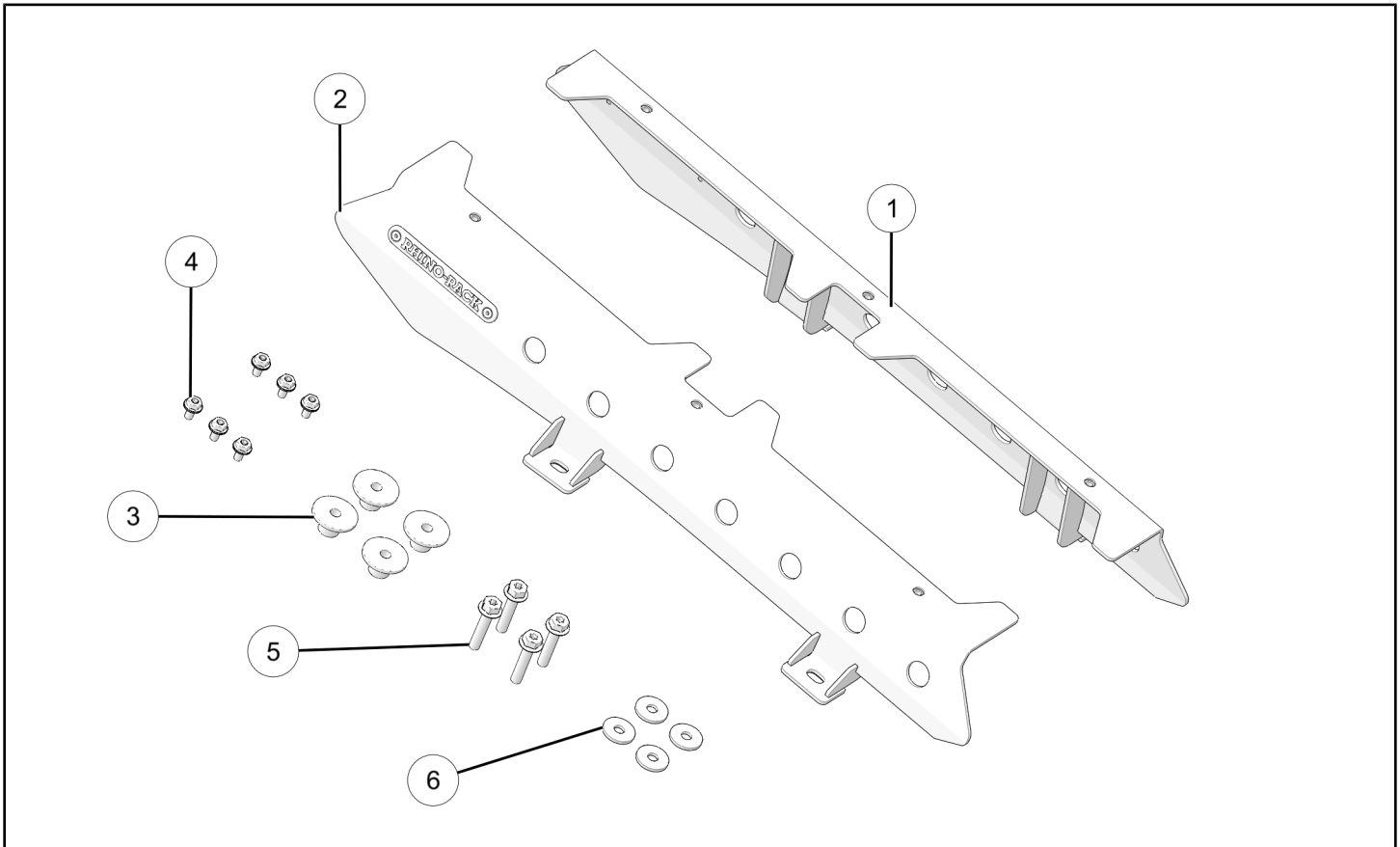
## KIT CONTENTS

### CREW MODEL ROOF BACKBONE KIT P/N 2889104



REF	QTY	PART DESCRIPTION	P/N AVAILABLE SEPARATELY	AVAILABLE SERVICE KIT
1	1	Backbone, Right	n/a	n/a
2	1	Backbone, Left	n/a	n/a
3	8	Roof Load Spacer	n/a	2209802
4	10	Screw, Hex Flanged Head, M6 x 1.0 x 12	n/a	2209802
5	8	Screw, Hex Flanged Head, M8 x 1.0 x 40	n/a	2209802
6	8	Washer, M8 Neoprene Bonded Sealing	n/a	2209723

### THREE PASSENGER MODEL ROOF BACKBONE KIT P/N 2889103



REF	QTY	PART DESCRIPTION	P/N AVAILABLE SEPARATELY	AVAILABLE SERVICE KIT
1	1	Backbone, Crew, Right	n/a	n/a
2	1	Backbone, Crew, Left	n/a	n/a
3	4	Roof Load Spacer	n/a	2209802
4	6	Screw, Hex Flanged Head, M6 x 1.0 x 12	n/a	2209802
5	4	Screw, Hex Flanged Head, M8 x 1.0 x 40	n/a	2209802
6	4	Washer, M8 Neoprene Bonded Sealing	n/a	2209723

## TOOLS REQUIRED

- Safety Glasses
- Screwdriver Set, Torx®
- Socket Set, Metric
- Socket Set, Torx® Bit
- Torque Wrench
- Wrench Set, Metric

## IMPORTANT

Your Roof Backbone Kit is exclusively designed for your vehicle. Please read the installation instructions thoroughly before beginning. Installation is easier if the vehicle is clean and free of debris. For your safety, and to ensure a satisfactory installation, perform all installation steps correctly in the sequence shown.

## INSTALLATION INSTRUCTIONS

### VEHICLE PREPARATION

#### GENERAL

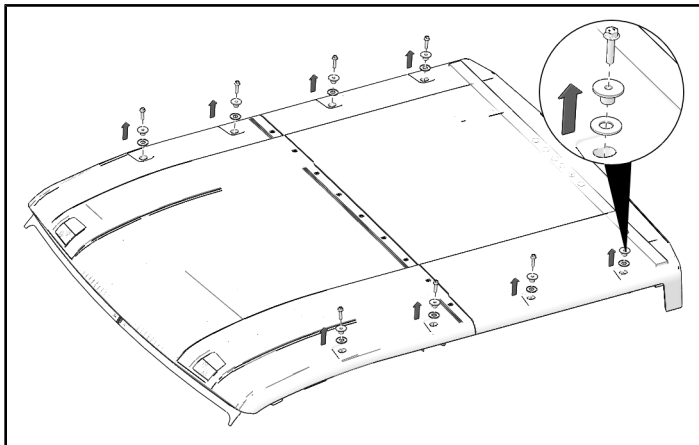
1. Park vehicle on a flat surface.
2. Shift vehicle into PARK.
3. Turn key to OFF position and remove key.

### ACCESSORY INSTALLATION

1. Remove and discard screws and anti-crush collars from the roof. Remove and retain washers.

#### NOTICE

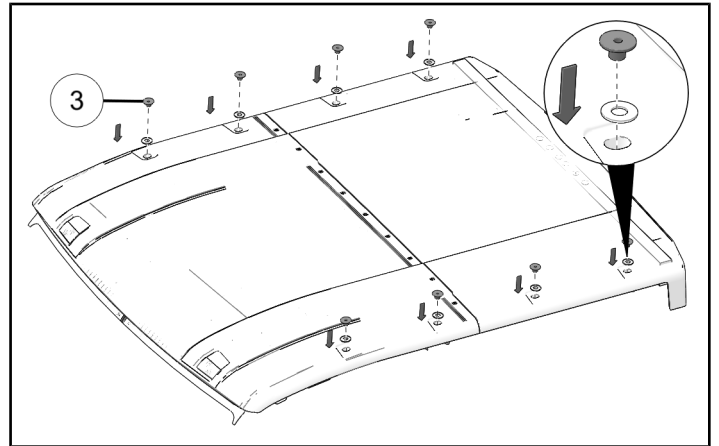
Crew model shown, three passenger model similar.



2. Install retained washers and roof load spacers ③.

#### NOTICE

Make sure washers are installed with flat side facing up and ribbed side facing down.



3. Loosely install backbone ① using screws ⑤ and washers ⑥.

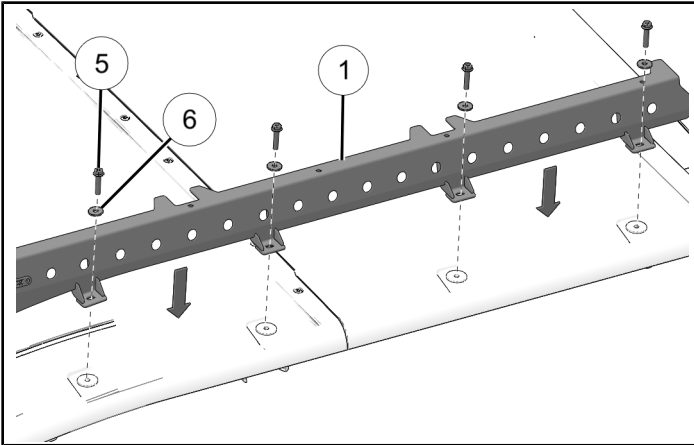
**NOTICE**

Right side shown, left side similar.

**NOTICE**

Make sure the rubber side of the washers faces down.

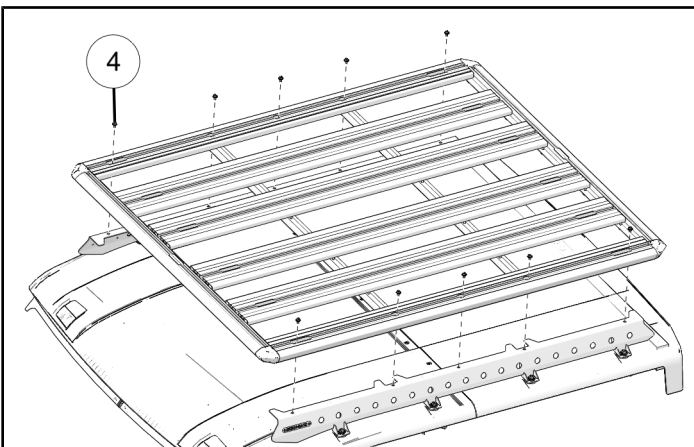
DO NOT torque fasteners at this time.



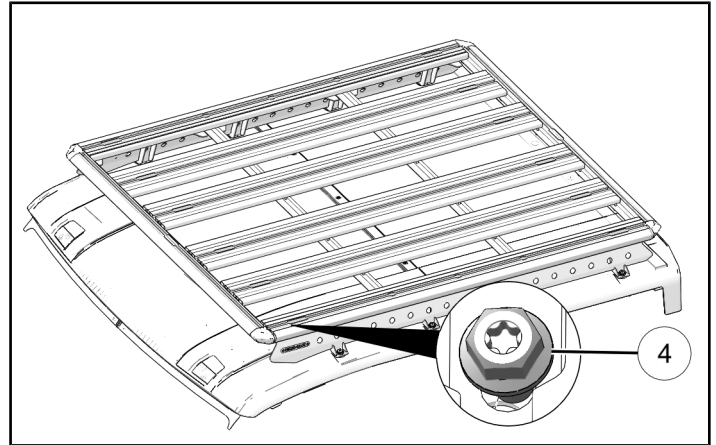
4. Install platform rack on top of the backbones by loosely installing screws ④.

**NOTICE**

Crew Platform Rack P/N 2889237 shown, Three Passenger Platform Rack P/N 2889236 similar.



5. Use torque tool provided with platform rack kit to torque all top screws ④ until clicking sound.



6. Torque all backbone screws to specification.

**TORQUE**

Backbone Screws ⑤:  
**13 ft-lbs (18 N·m)**

