

HORN KIT



P/N 2889098

MISSING OR DAMAGED PARTS

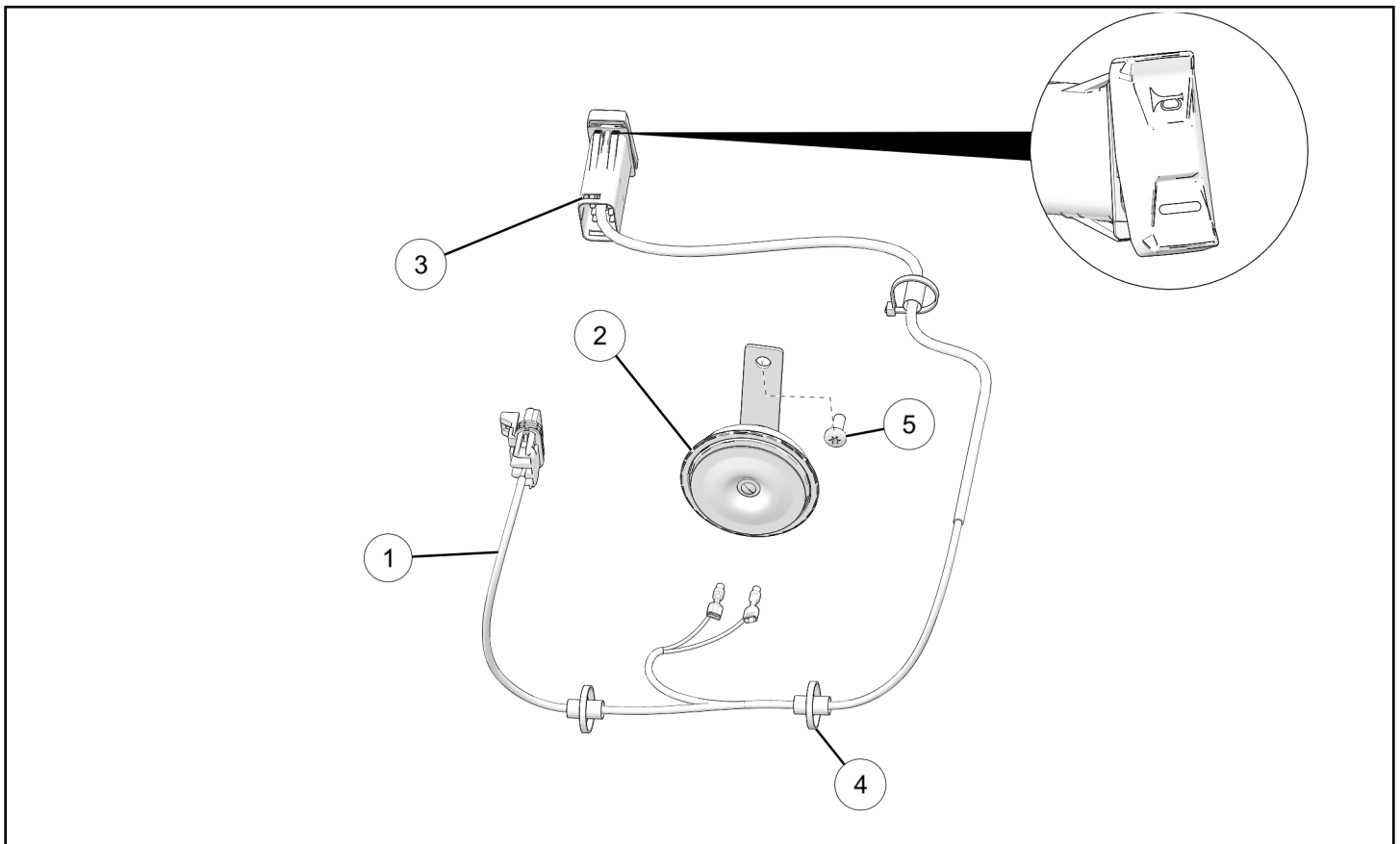
Before beginning assembly, inspect the kit and its component(s) to be sure all parts and tools are accounted for and not damaged. If missing parts or parts are damaged, please contact your Selling Dealer for assistance.

If your accessory was purchased online, please contact POLARIS® customer service at **1-800-POLARIS** (US & Canada only).

APPLICATION

Verify accessory fitment at www.polaris.com.

KIT CONTENTS



REF	QTY	PART DESCRIPTION	P/N AVAILABLE SEPARATELY
1	1	Horn Harness	n/a
2	1	Horn Disc	4011579
3	1	Horn Switch	4080801-09
4	3	Cable Tie, 12 – 15 mm	7080138
5	1	Screw, Torx® Truss Head, Self-Threading, 14 x 3/4 in	7519045

TOOLS REQUIRED

- Safety Glasses
- Screwdriver Set, Torx®
- Torque Wrench

IMPORTANT

Your Horn Kit is exclusively designed for your vehicle. Please read the installation instructions thoroughly before beginning. Installation is easier if the vehicle is clean and free of debris. For your safety, and to ensure a satisfactory installation, perform all installation steps correctly in the sequence shown.

INSTALLATION INSTRUCTIONS

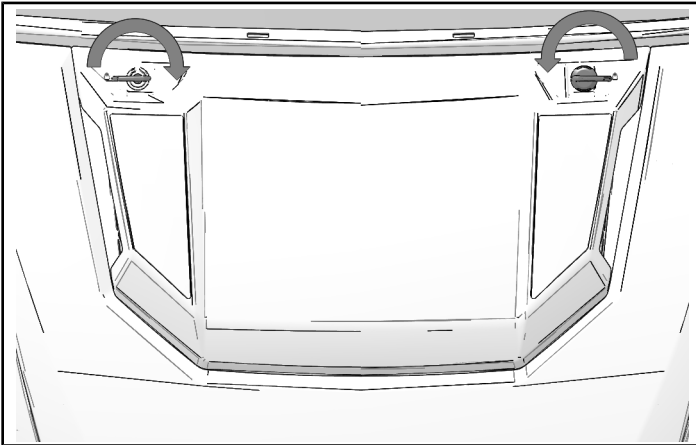
VEHICLE PREPARATION

GENERAL

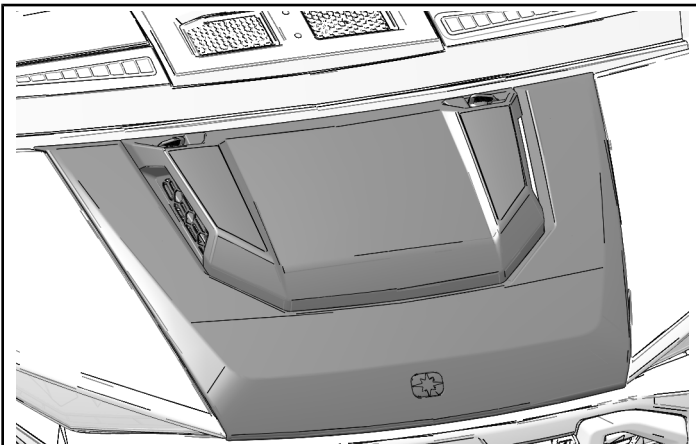
1. Park vehicle on a flat surface.
2. Shift vehicle into PARK.
3. Turn key to OFF position and remove key.

INNER HOOD REMOVAL

1. Turn knob upwards.

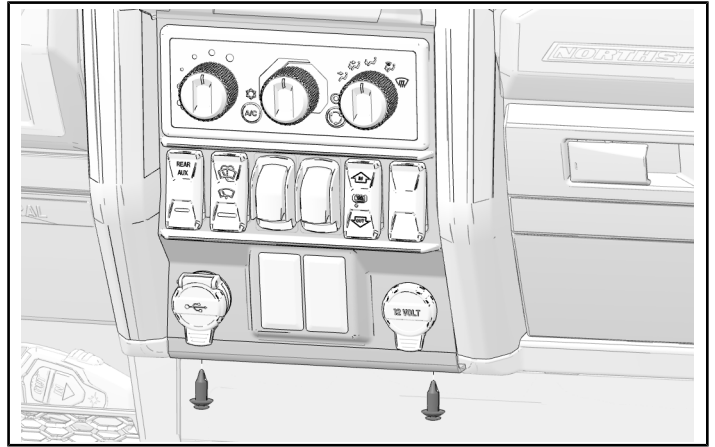


2. Move hood forward to release front hooks and lift to remove.

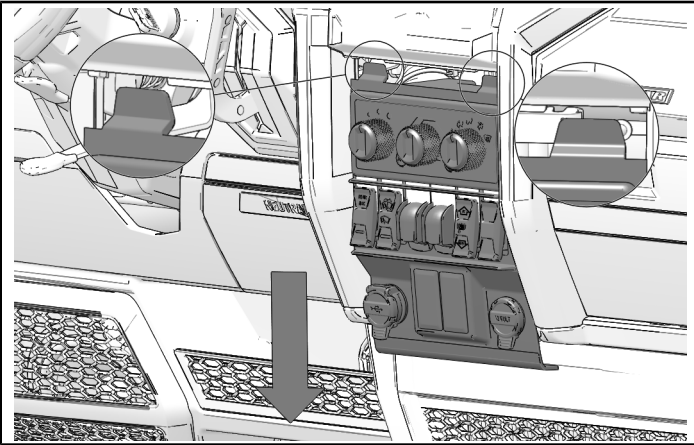
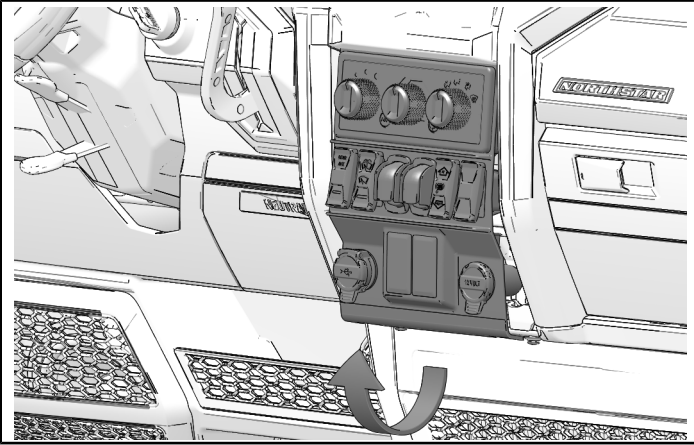


CENTER DASH HVAC CONTROL PANEL TRIM REMOVAL

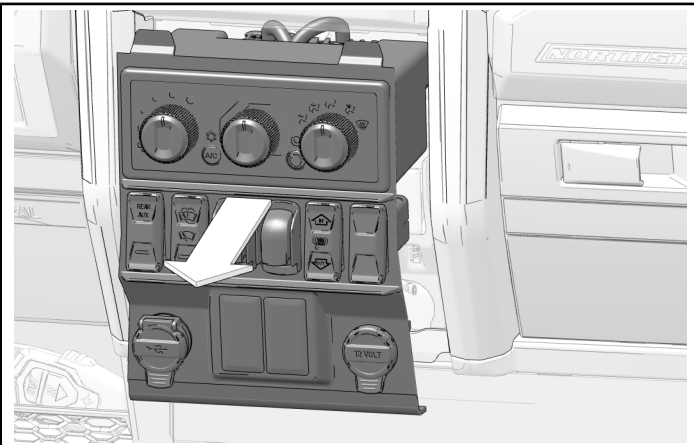
1. Remove two push-pin rivets from lower edge of trim panel.



2. Rotate control panel trim rearward and down to remove top two tabs from vehicle.

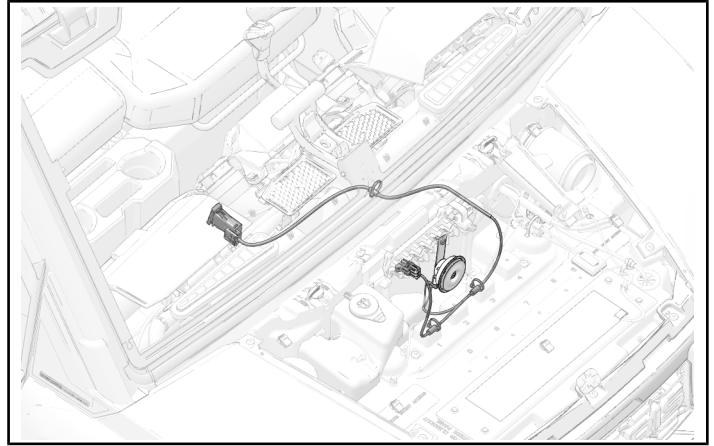


3. Remove center dash HVAC control panel trim and assembly. Disconnect any connections if needed.

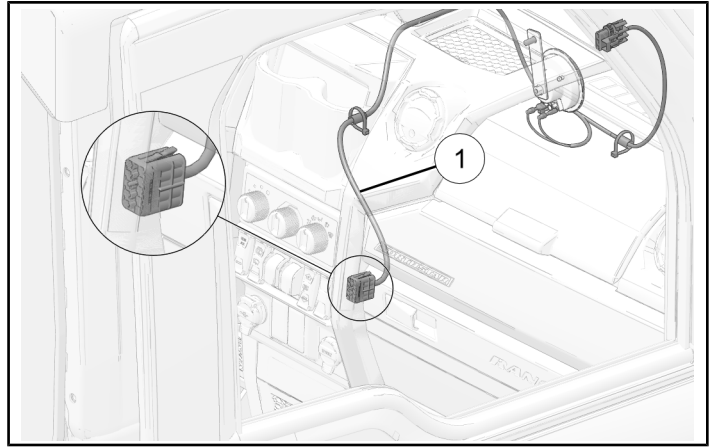


ACCESSORY INSTALLATION

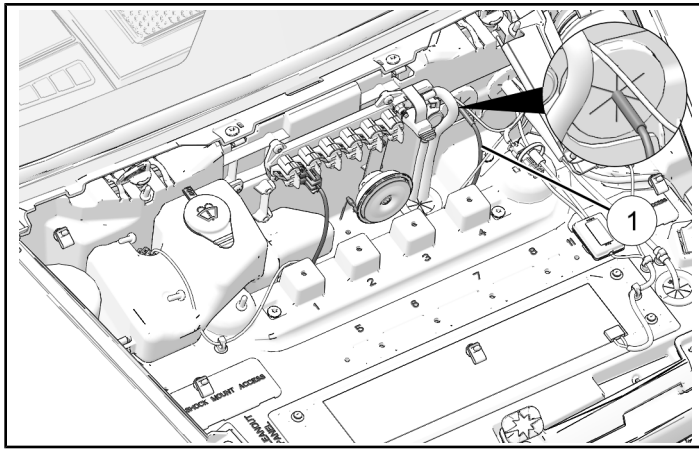
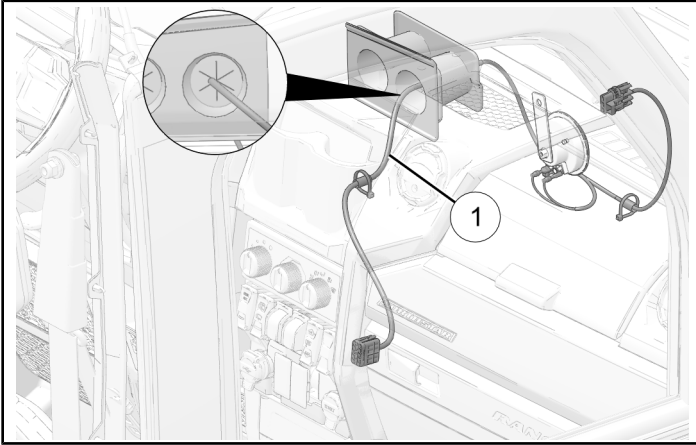
HARNESS ROUTING



1. Route harness ① switch connector near center dash.

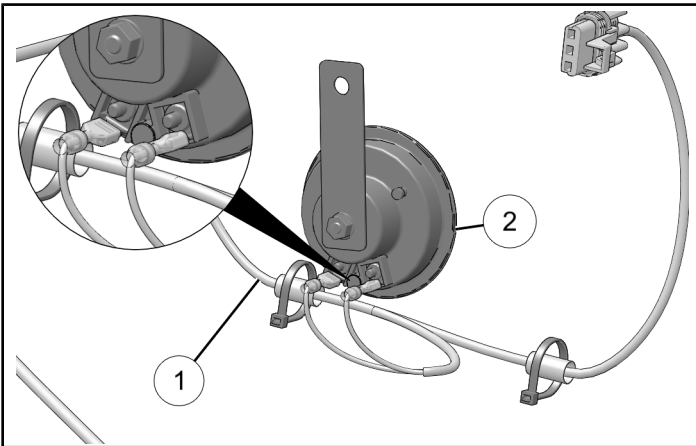


- Route harness ① with spade and pulse connectors through grommet.



INSTALLATION

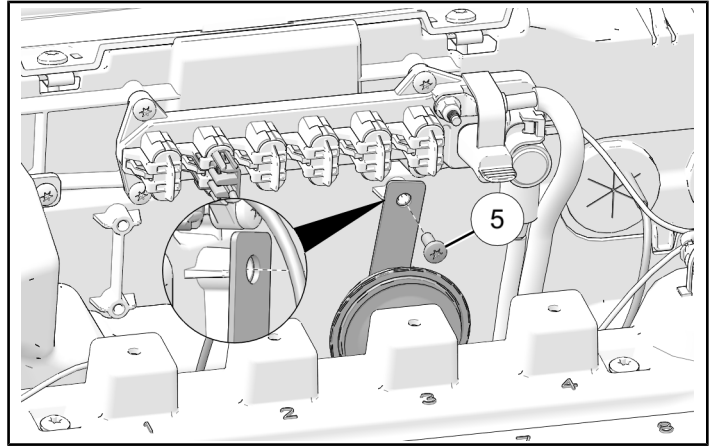
- Attach large and small spade connectors from harness ① to horn disc ②.



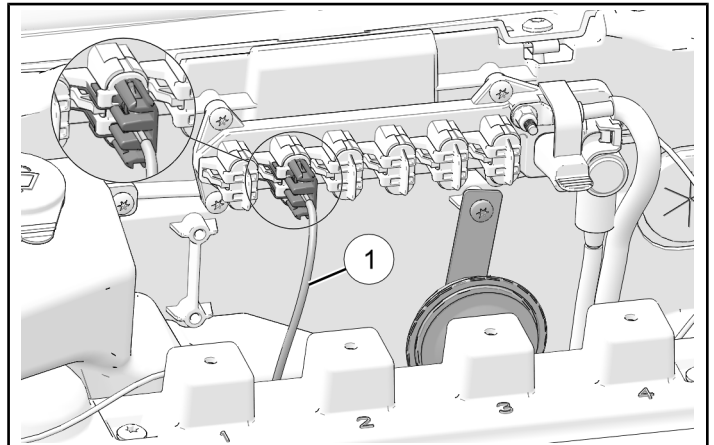
- Install horn below Polaris Pulse® bar with screw ⑤. Torque screw to specification.

TORQUE

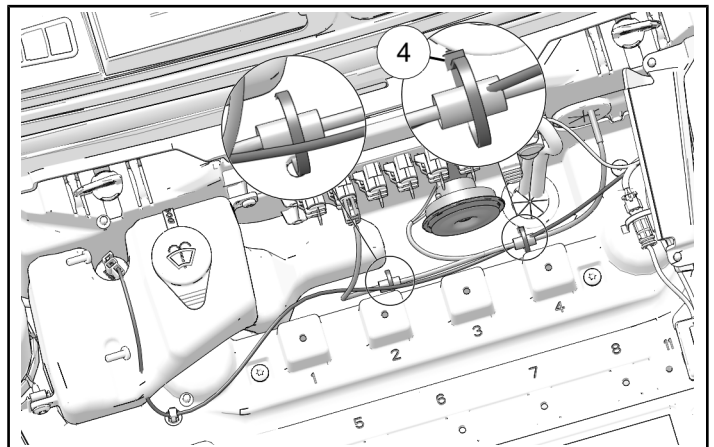
Screw ⑤:
22 in-lbs (2.5 N·m)



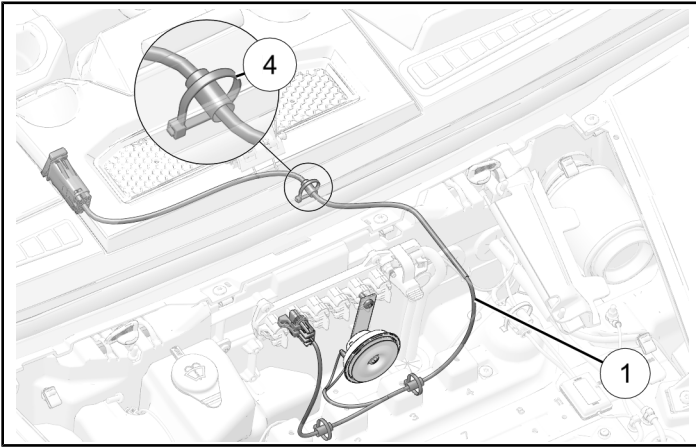
- Connect harness ① to Polaris Pulse® bar.



- Attach horn harness ① using two cable ties ④ as needed.



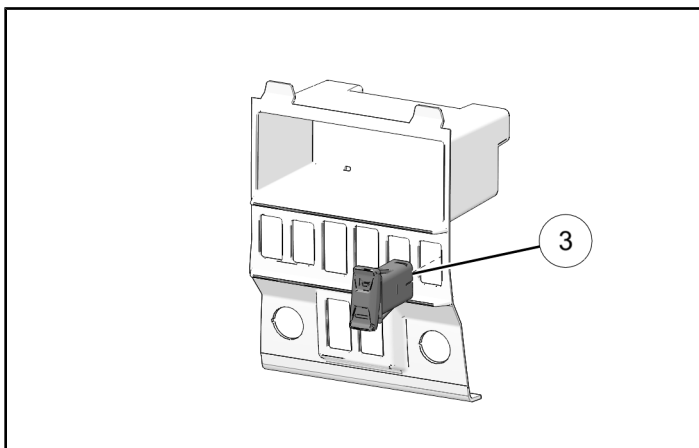
- Attach horn harness ① to other installed harnesses with cable ties ④, as needed.



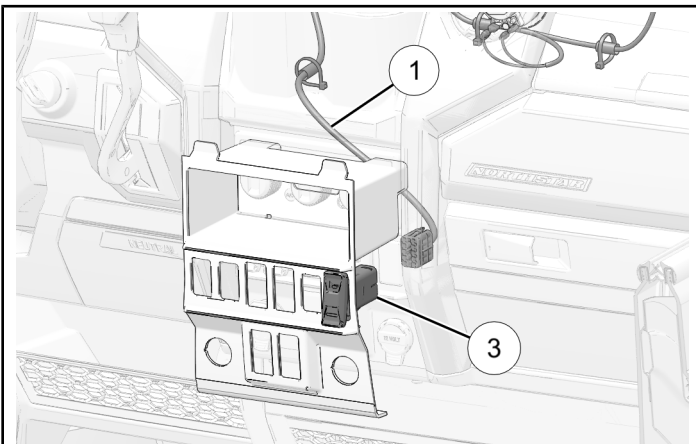
- Put switch ③ into desired switch location on center dash.

NOTICE

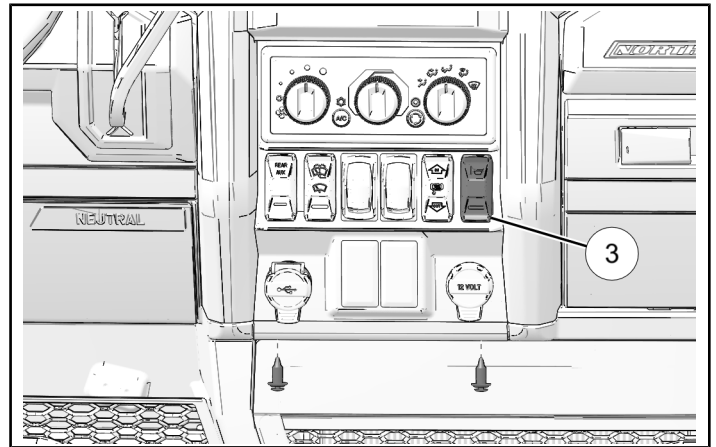
Location of switch can vary depending on preference.



- Connect switch connector on harness ① to switch ③ on center dash. Install other connections as needed.



- Install center dash onto vehicle with two push-pins rivet. Make sure horn switch ③ is fully seated.



VEHICLE REASSEMBLY

INNER HOOD INSTALLATION

- Install inner hood onto front of vehicle. Turn knob outwards until it points towards the lock symbol.

