

DOME LIGHT KIT



P/N 2889097; 2890423

BEFORE YOU BEGIN

Read these instructions and check to be sure all parts and tools are accounted for. Please retain these installation instructions for future reference and parts ordering information.

APPLICATION

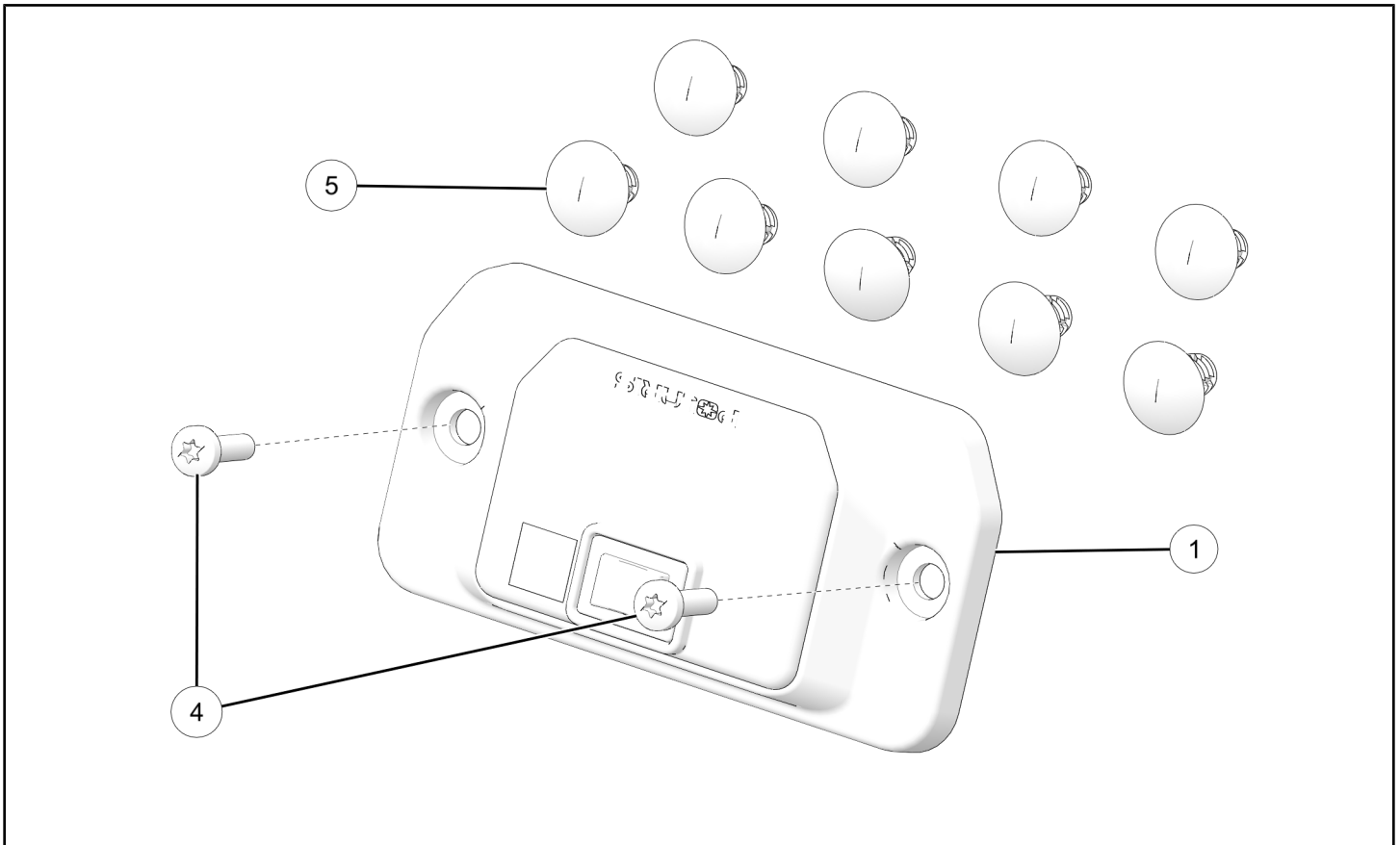
Verify accessory fitment at www.polaris.com.

REQUIRED SOLD SEPARATELY

Only parts for installation of the Dome Light Kit are included. For complete installation, the following additional kit is required (sold separately):

- *Pulse Harness*, P/N 2890262

KIT CONTENTS

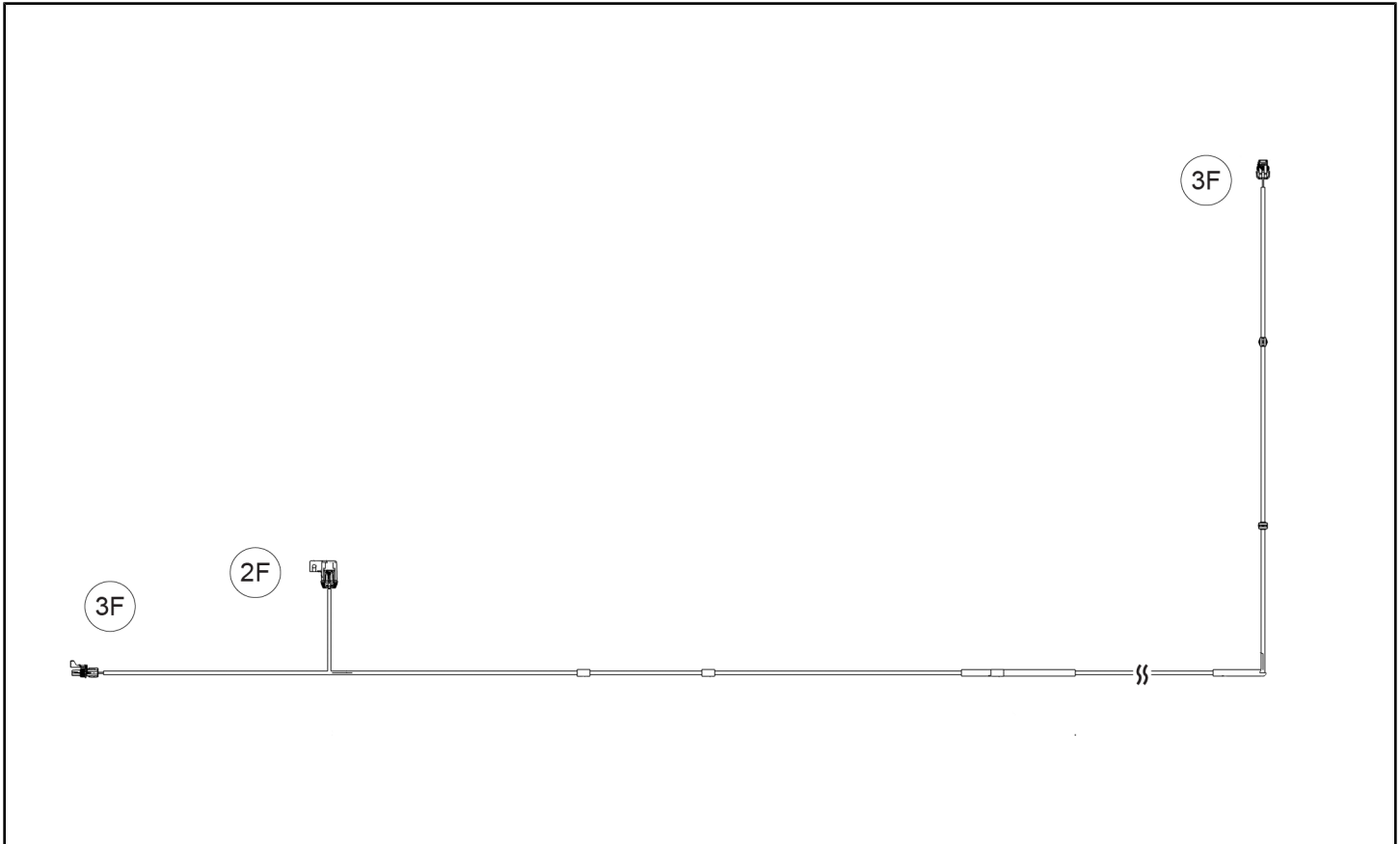


REF	QTY	PART DESCRIPTION	P/N AVAILABLE SEPARATELY
1	1	Dome Light	2416097
2	1	Harness – Dome Light (not shown)	2416324
3	3	Cable Tie (not shown)	7082003

REF	QTY	PART DESCRIPTION	P/N AVAILABLE SEPARATELY
4	2	Screw – Torx®, Pan Head, Self-Threading, #10 x 3/4 in	7512026
5	9	Clip – Plastic, Dart	7670088

HARNESS DETAIL

DOMELIGHT HARNESS



REF	PART DESCRIPTION	CONNECTS TO
3F	Female Sealed Connector	Polaris Pulse® Terminal
2F	5A Mini Blade Fuse Holder	Chassis Push Pin
3F	Female Sealed Connector	Dome Light

Example: 16F = 16 pin, Female / 16M = 16 pin, Male (Male terminal fits inside female terminal)

TOOLS REQUIRED

- Safety Glasses
- Fish Tape (or equivalent)
- Screwdriver Set, Torx®
- Torque Wrench
- Utility Knife/Cutting Tool

IMPORTANT

Your Dome Light Kit is exclusively designed for your vehicle. Please read the installation instructions thoroughly before beginning. Installation is easier if the vehicle is clean and free of debris. For your safety, and to ensure a satisfactory installation, perform all installation steps correctly in the sequence shown.

INSTALLATION INSTRUCTIONS

VEHICLE PREPARATION

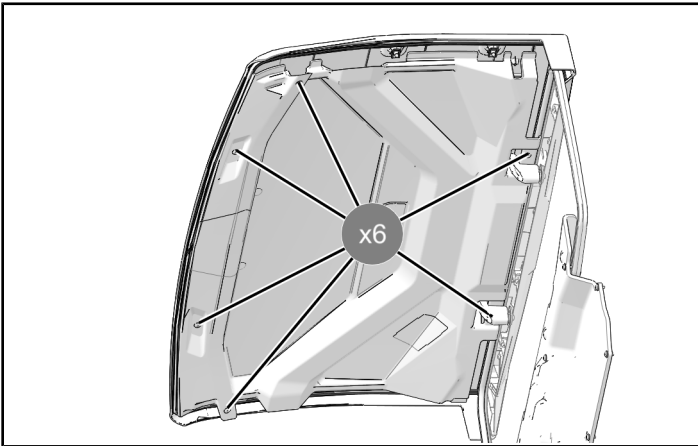
GENERAL

1. Park vehicle on a flat surface.
2. Shift vehicle into PARK.
3. Turn key to OFF position and remove key.

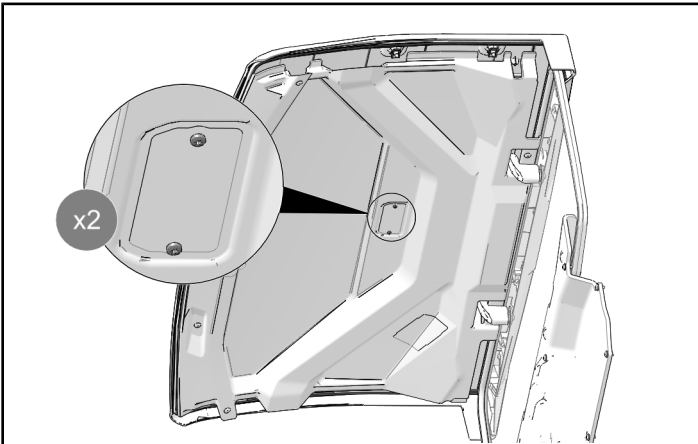
ACCESSORY INSTALLATION

INSTALLATION ON VEHICLES USING ACCESSORY HARNESS 2889097

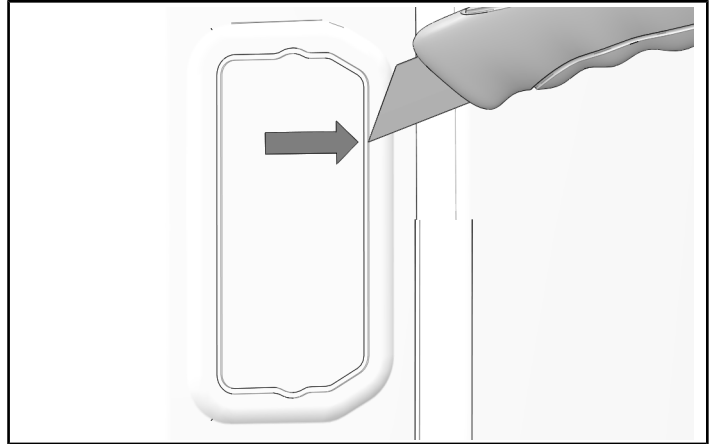
1. Remove and discard six push darts.



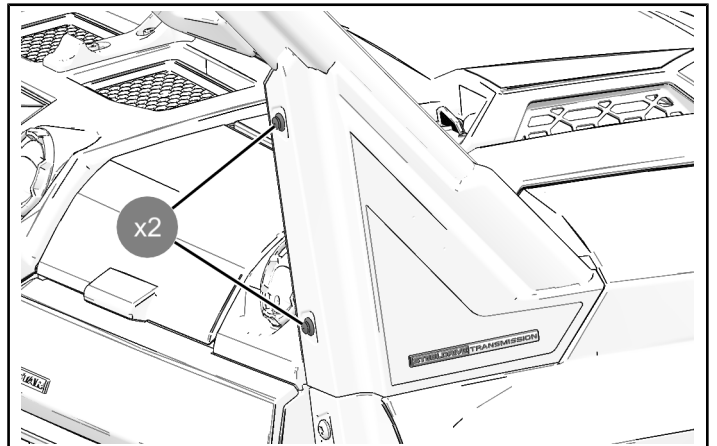
2. Remove and discard two screws. Remove roof liner.



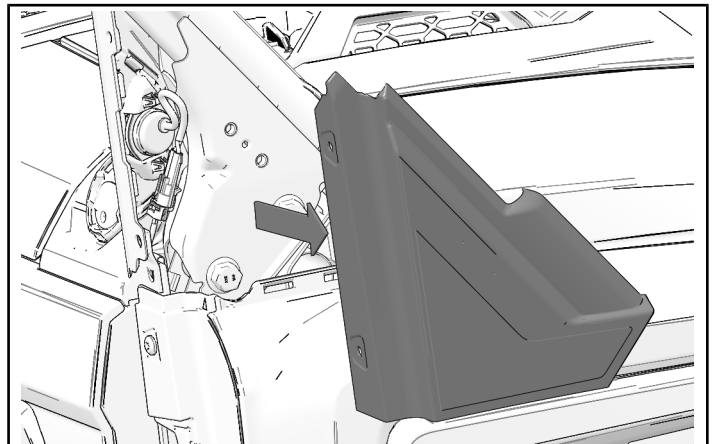
3. Locate trim line on inside of roof liner. Cut out hole along trim line.



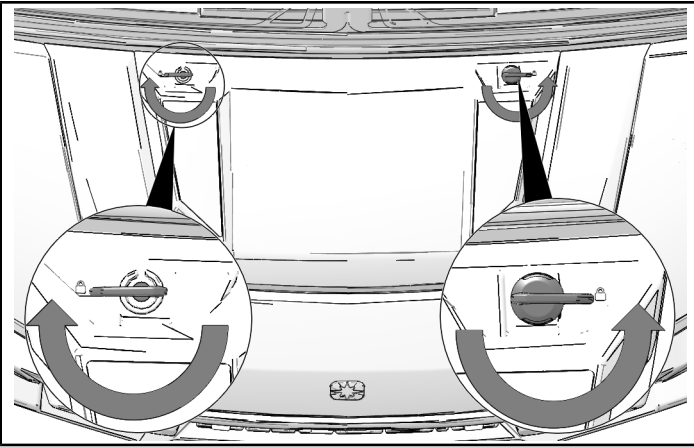
4. Remove and keep two push pin rivets.



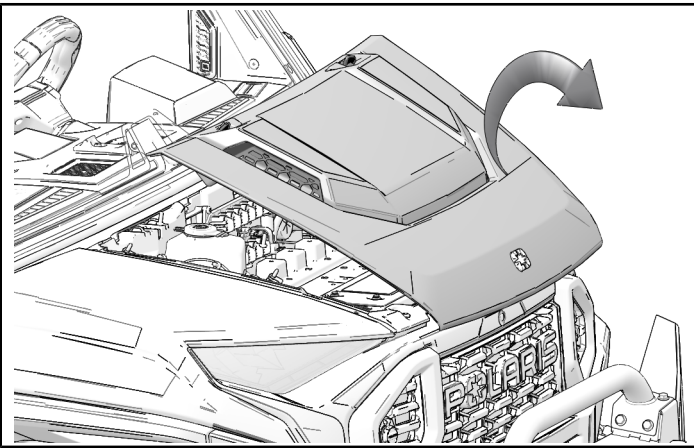
5. Remove A pillar trim piece.



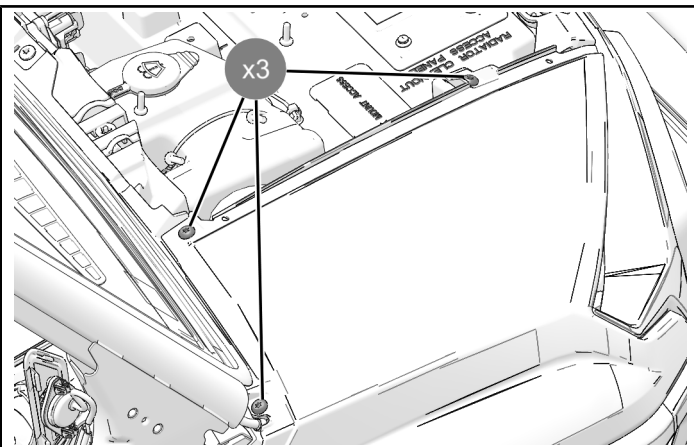
6. Turn two quarter turn fasteners.



7. Remove hood.



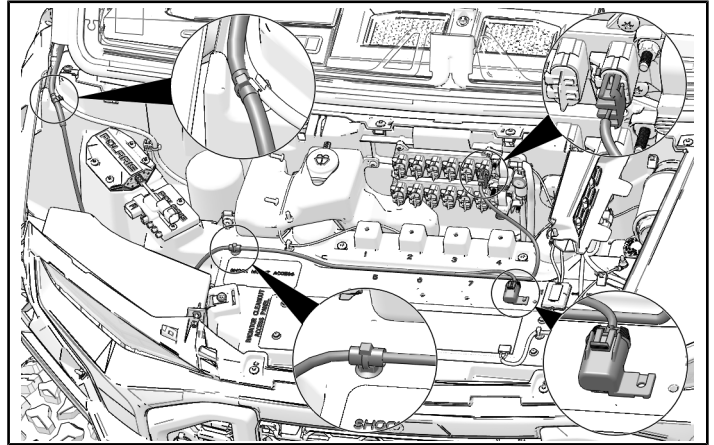
8. Remove and keep three fender screws. Do not remove fender.



9. Install wiring harness. Attach to vehicle in positions shown.

NOTICE

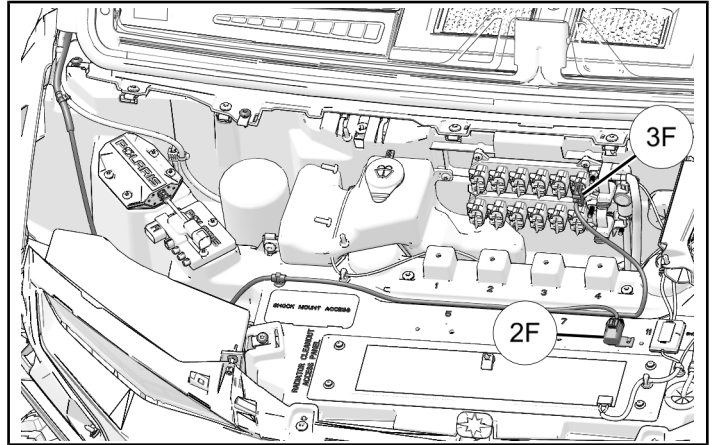
Fender hidden for clarity.



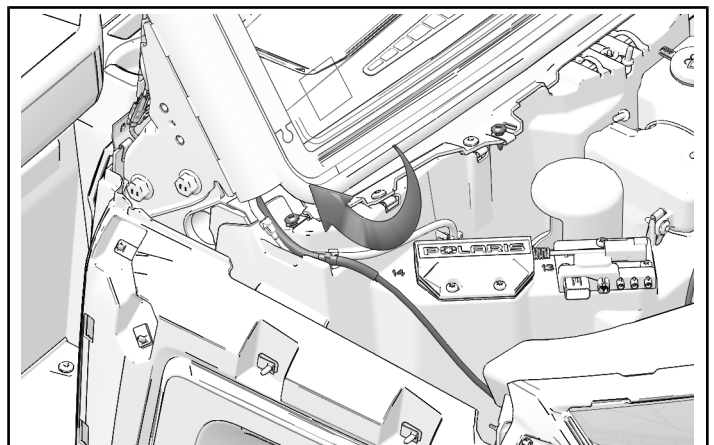
10. Connect 3F to Pulse bar. Attach fuse 2F in position shown

TIP

3F can be connected to any open connector on Pulse bar.



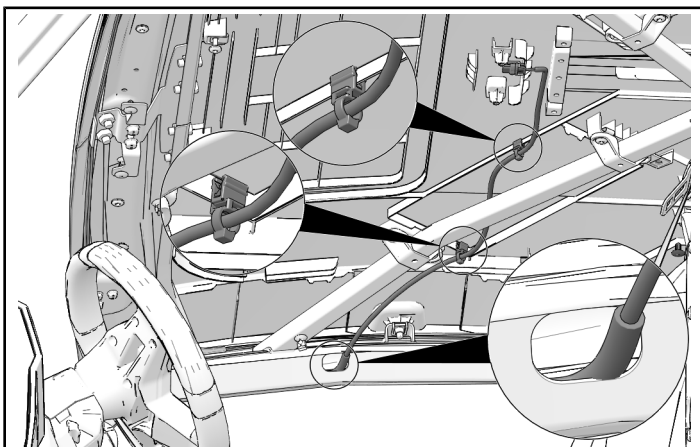
11. Route harness inside A-pillar.



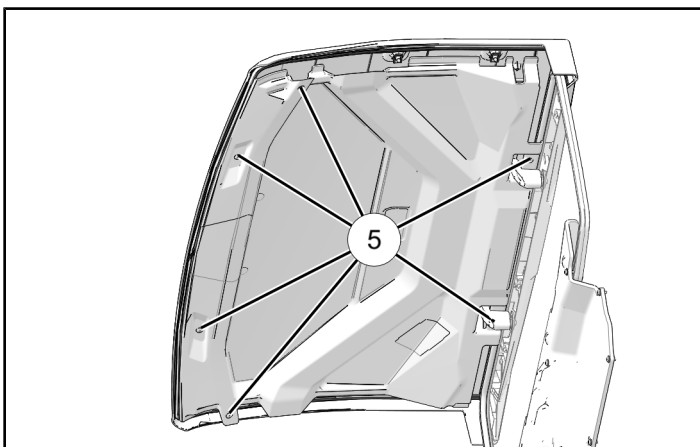
12. Pull harness through opening in ROPS above passenger opening. Route wiring as shown. Attach to roof using edge clips.

TIP

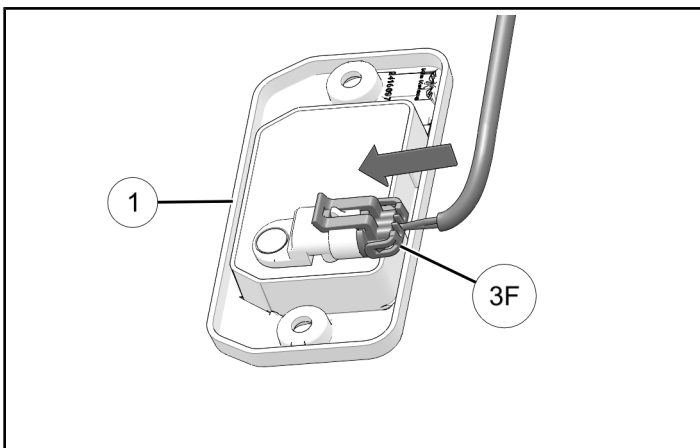
Use a wire or fish tape to pull harness through A-pillar.



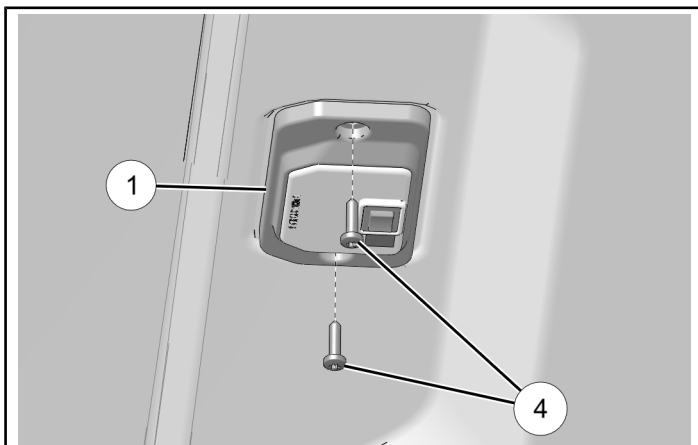
13. Install roof liner using six push darts ⑤.



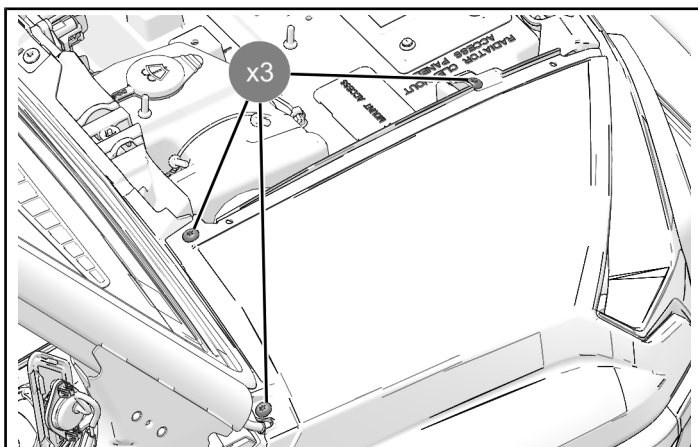
14. Connect 3F to dome light ①.



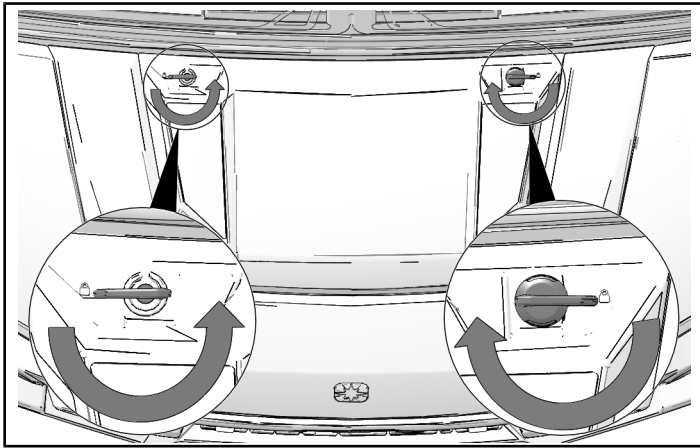
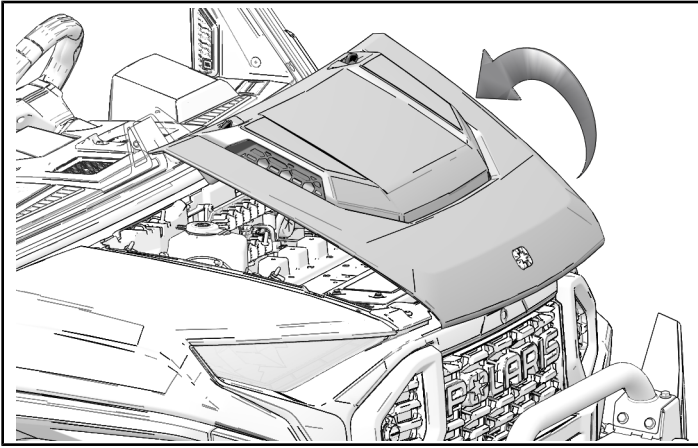
15. Install dome light ① to roof and attach using two screws ④. Tighten until fully seated.



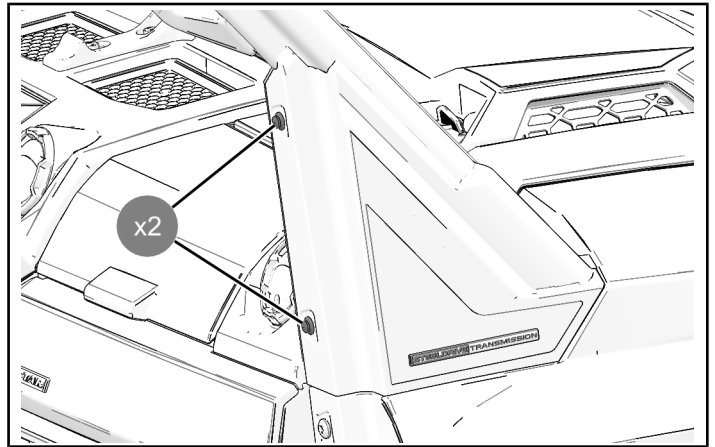
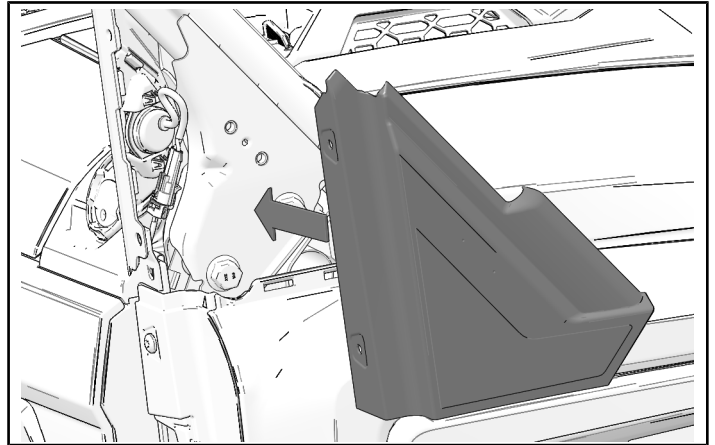
16. Install three fender screws.



17. Install hood and attach by turning two quarter turn fasteners.

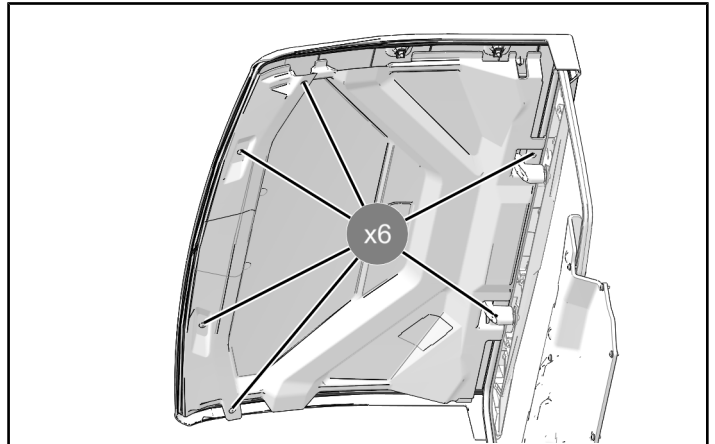


18. Install A-pillar trim and attach with two kept push pin rivets.

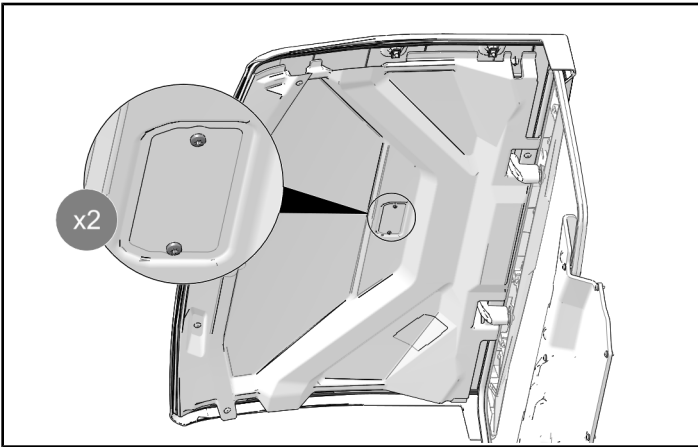


INSTALLATION ON VEHICLES EQUIPPED WITH PULSE HARNESS 2890262

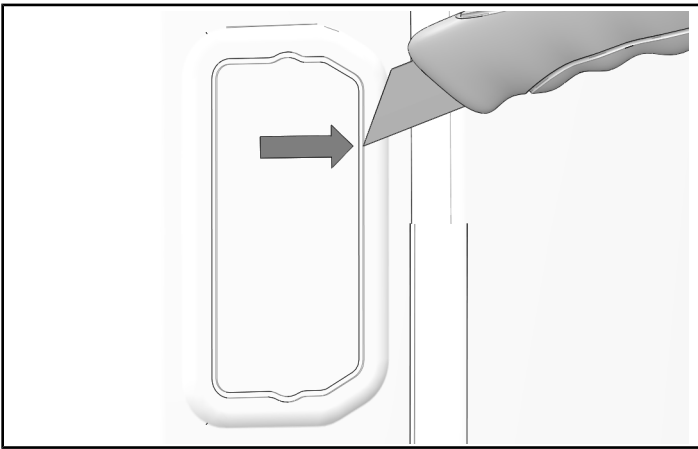
1. Remove and discard six push darts.



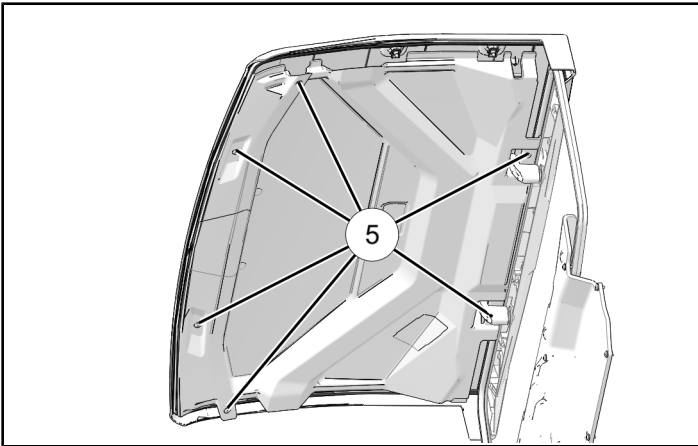
2. Remove and discard two screws. Remove roof liner.



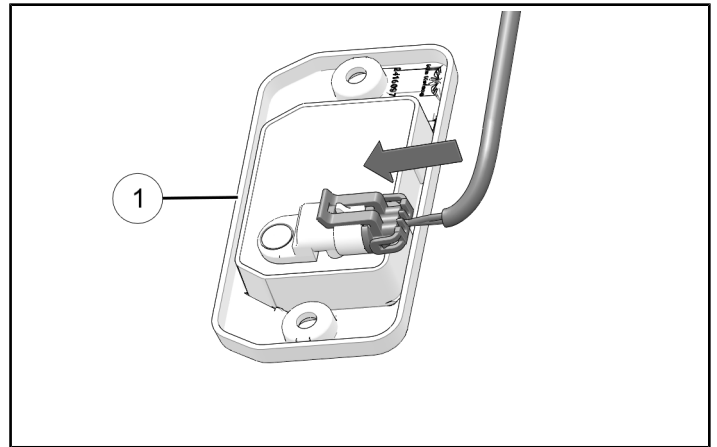
3. Locate trim line on inside of roof liner. Cut out hole along trim line.



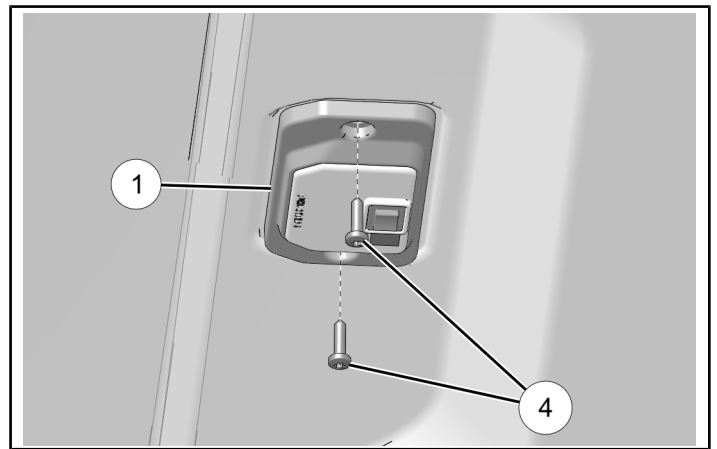
4. Install roof liner using six push darts ⑤.



5. Connect Pulse harness to dome light ①.



6. Install dome light ① to roof and attach using two screws ④. Tighten until fully seated.



INSTRUCTION FEEDBACK FORM

A feedback form has been created for the installer to provide any comments, questions or concerns about the installation instructions. The form is viewable on mobile devices by scanning the QR Code® or by clicking [HERE](#) if viewing on a PC.

