

RIDE COMMAND+ CONNECTED VEHICLE PLUG-IN KIT



P/N 2890078

BEFORE YOU BEGIN

Read these instructions and check to be sure all parts and tools are accounted for. Please retain these installation instructions for future reference and parts ordering information.

APPLICATION

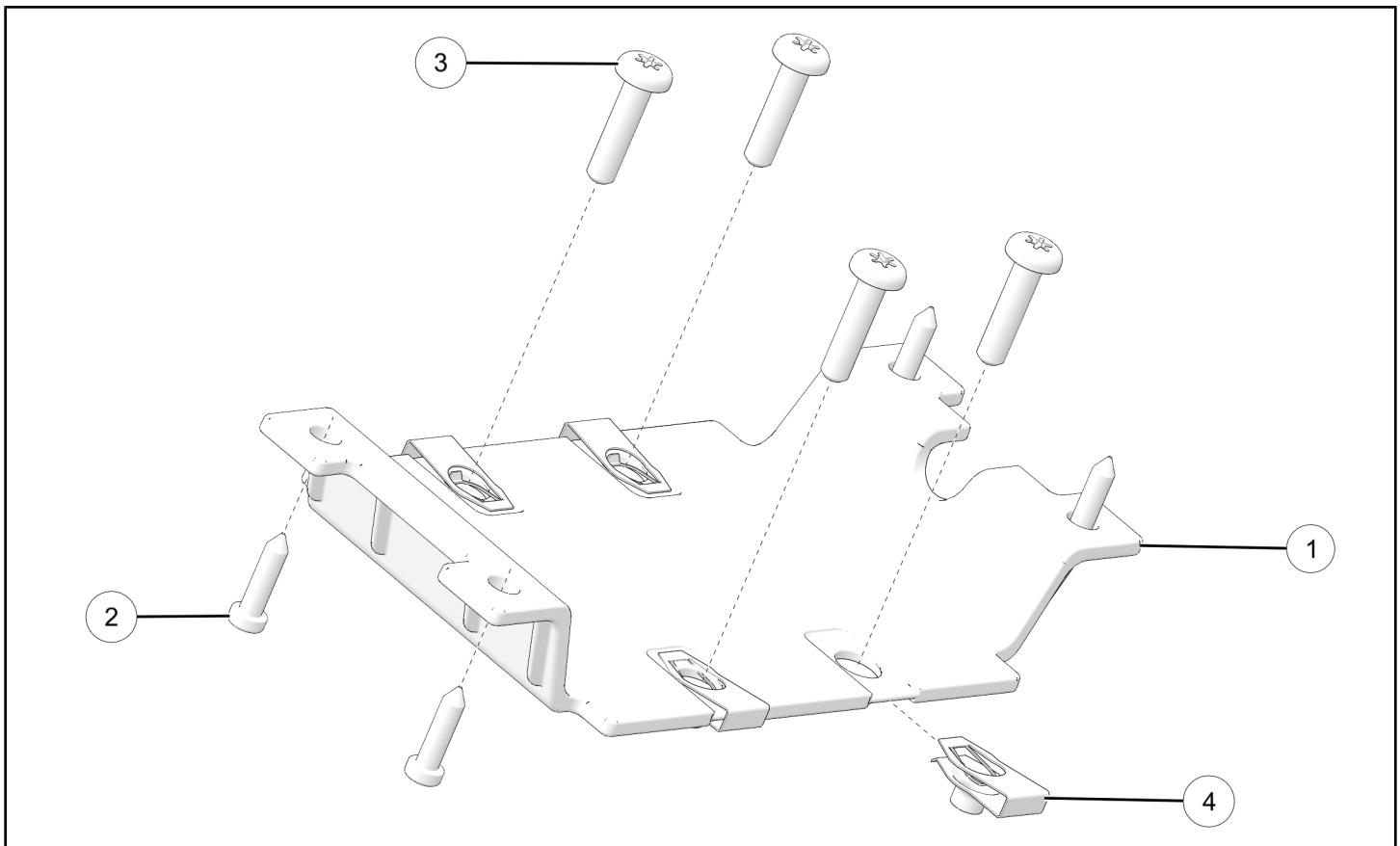
Verify accessory fitment at www.polaris.com.

REQUIRED SOLD SEPARATELY

Only parts for installation of the Ride Command+ Connected Vehicle Plug-In Kit are included. For complete installation, the following additional kit is required (sold separately):

- *Plug In*, P/N 2890038

KIT CONTENTS



REF	QTY	PART DESCRIPTION	P/N AVAILABLE SEPARATELY
1	1	Bracket – Dongle	n/a
2	4	Screw – Torx®, 10 x 3/4 in	7517790
3	4	Screw – Torx®, Pan Head, M6 x 1.0 x 25 mm	7518535
4	4	U-Clip, M6 x 1.0 mm	7547366

TOOLS REQUIRED

- Safety Glasses
- Push Dart (Panel Clip) Tool
- Socket Set, Torx® Bit

IMPORTANT

Your Ride Command+ Connected Vehicle Plug-In Kit is exclusively designed for your vehicle. Please read the installation instructions thoroughly before beginning. Installation is easier if the vehicle is clean and free of debris. For your safety, and to ensure a satisfactory installation, perform all installation steps correctly in the sequence shown.

INSTALLATION INSTRUCTIONS

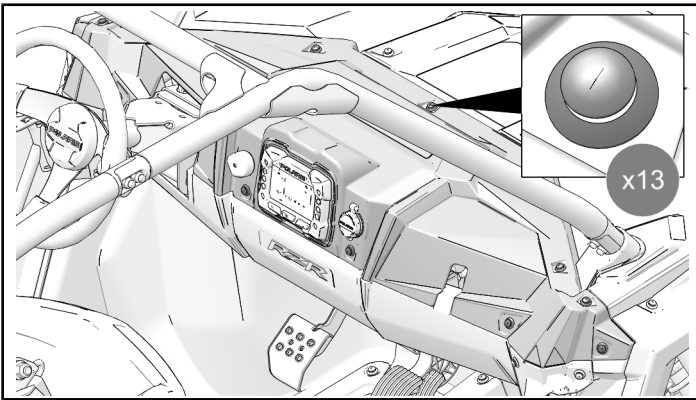
VEHICLE PREPARATION

GENERAL

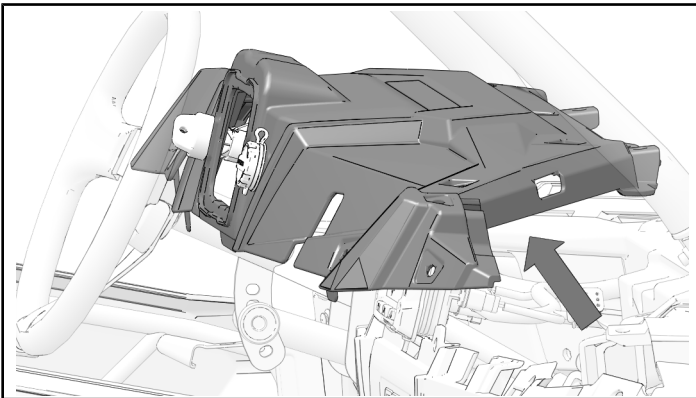
1. Park vehicle on a flat surface.
2. Push engine stop switch to OFF position.
3. Turn key to OFF position and remove key.

REMOVE DASH

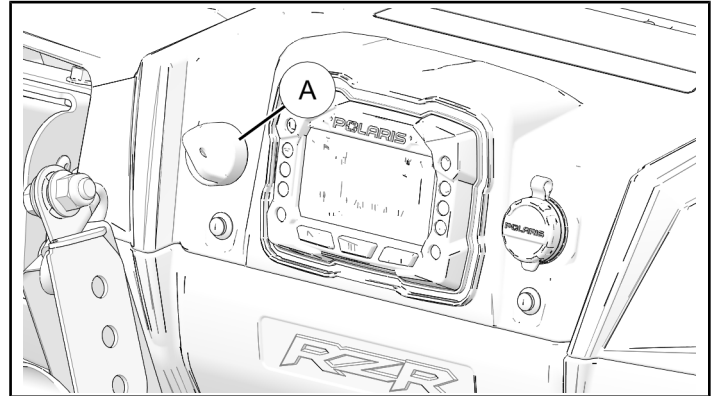
1. Remove 13 push pin rivets.



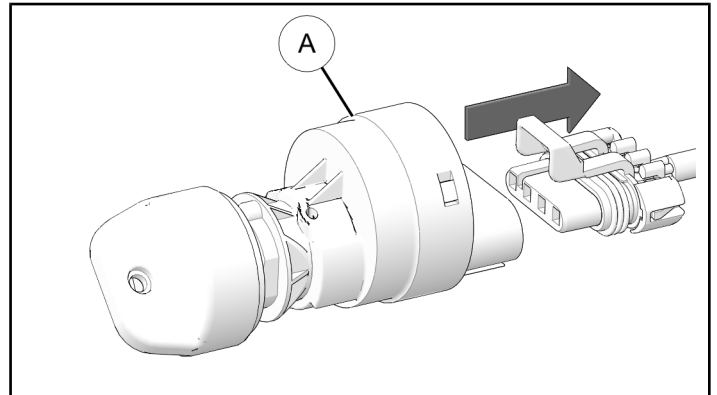
2. Lift dash slightly away from vehicle.



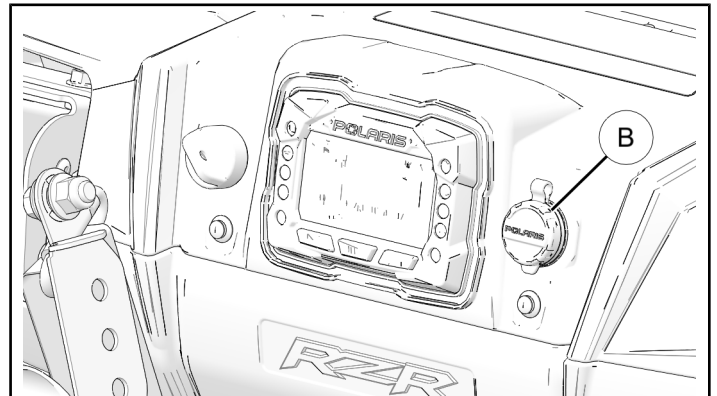
3. Locate ignition switch (A).



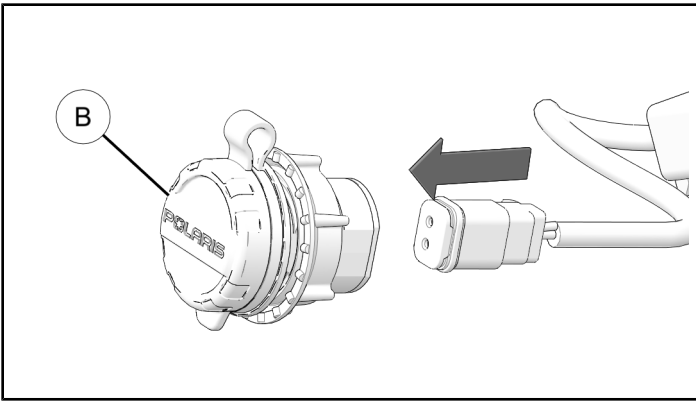
4. Lift up slightly on locking tab and disconnect wiring from ignition switch.



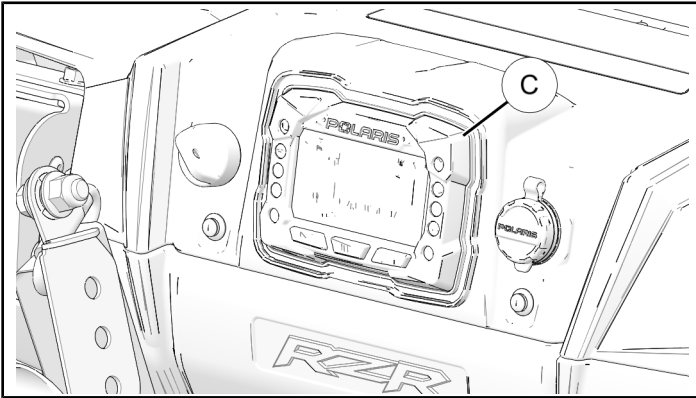
5. Locate 12V accessory plug (B).



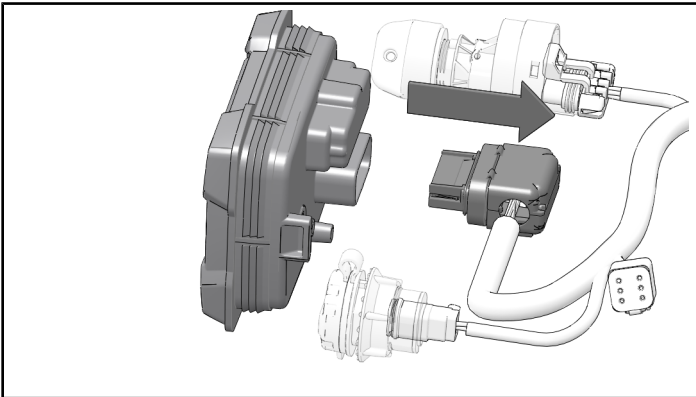
6. Disconnect wiring from 12V accessory plug.



7. Locate Ride Command **C**.



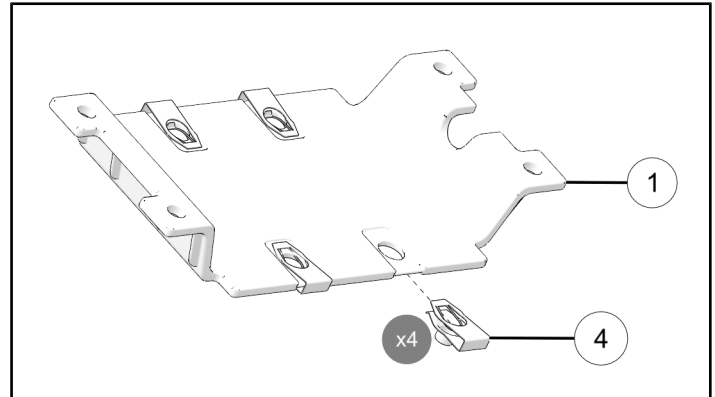
8. Disconnect wiring from Ride Command.



9. Remove dash.

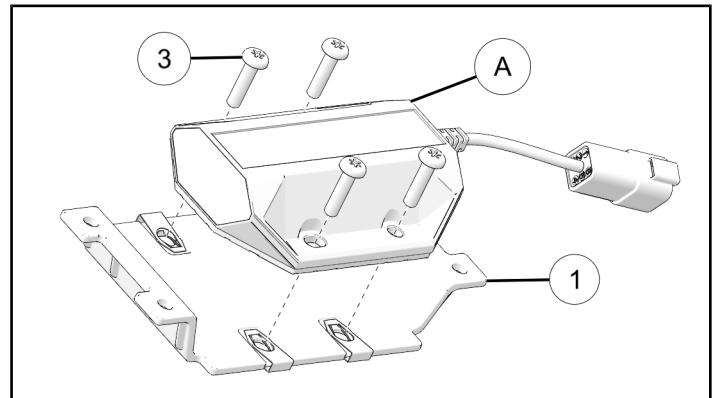
ACCESSORY INSTALLATION

1. Install four U-clips **4** onto bracket **1**.

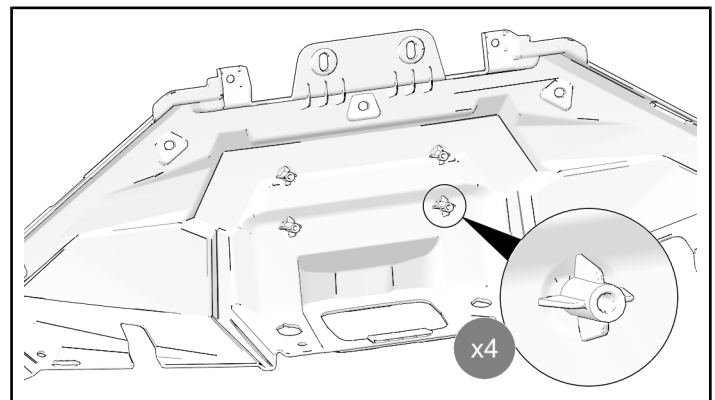


2. Install plug-in **A** onto bracket **1** using four screws **3**. Tighten until fully seated.

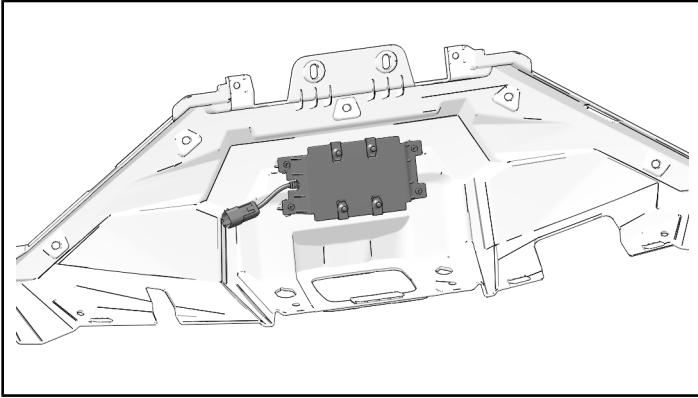
NOTICE
Plug In P/N 2890038 sold separately.



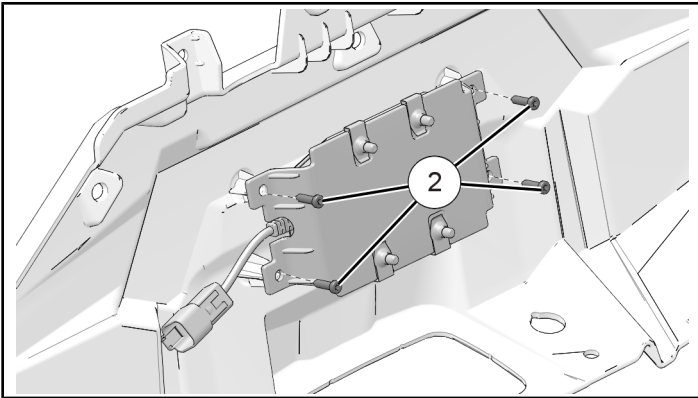
3. Locate four standoffs on inside of dash.



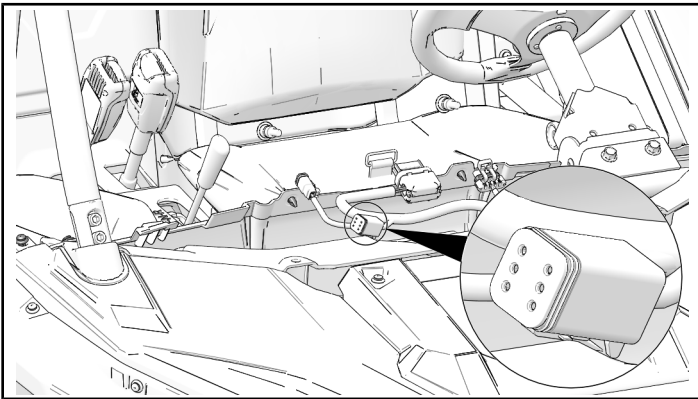
- Put plug-in assembly in position on four mounting bosses. Make sure connector is pointed toward passenger side.



- Attach plug-in assembly to dash using four screws ②. Tighten until fully seated.



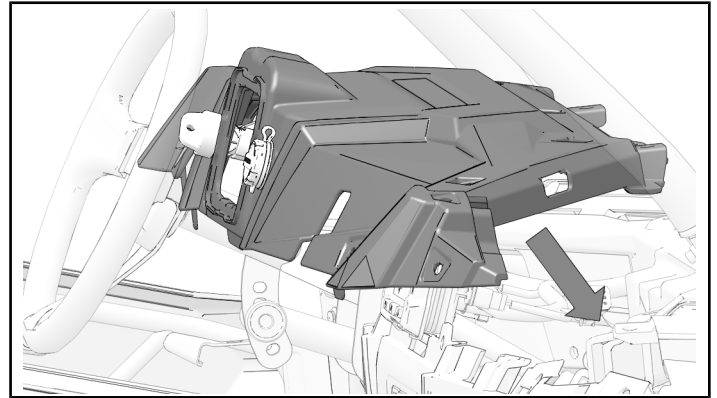
- Locate plug-in connection under dash. Connect plug-in when installing dash.



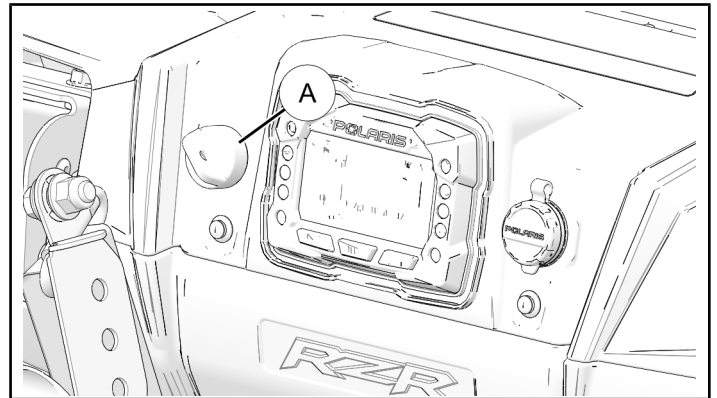
VEHICLE REASSEMBLY

INSTALL DASH

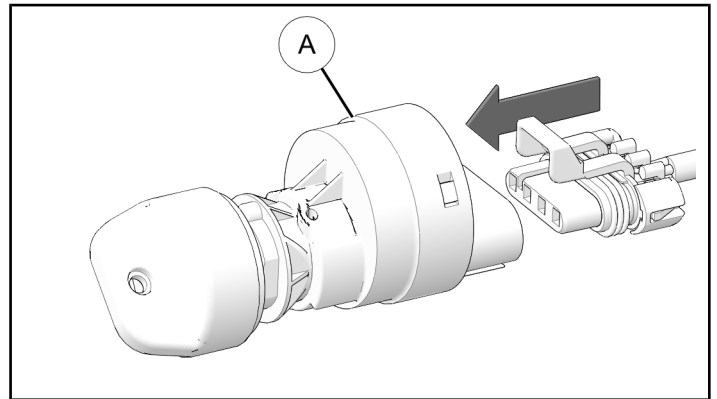
- Put dash in position on vehicle.



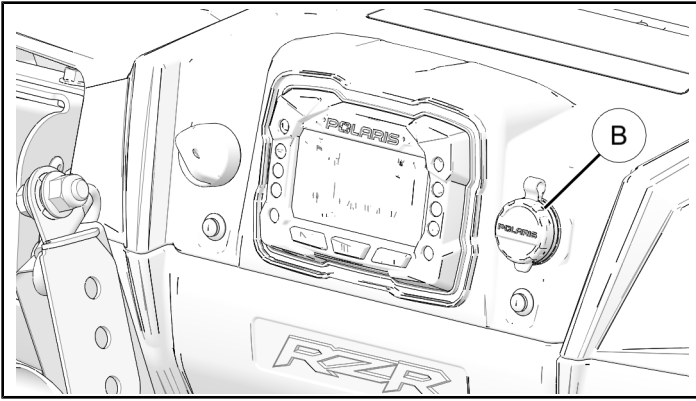
- Locate ignition switch ①.



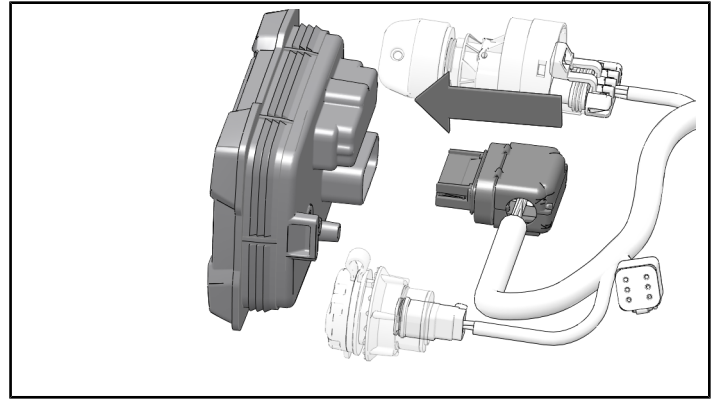
- Connect wiring to ignition switch until it clips into place.



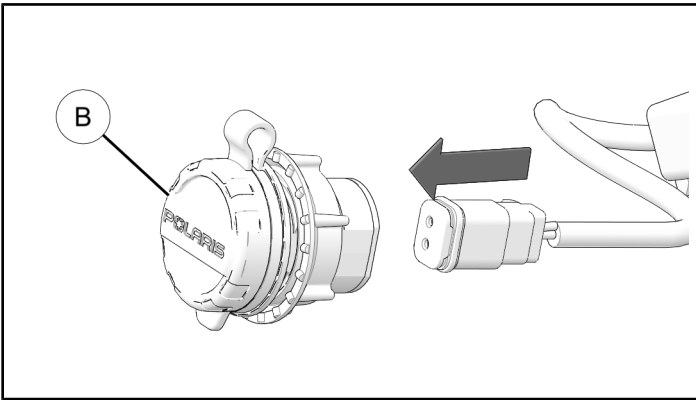
4. Locate 12V accessory plug **B**.



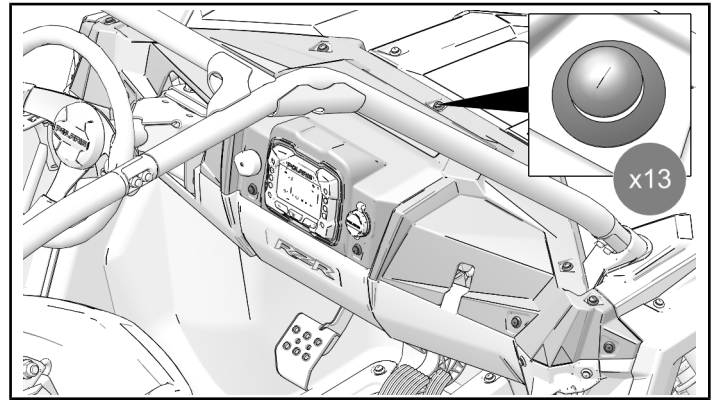
7. Connect wiring to Ride Command.



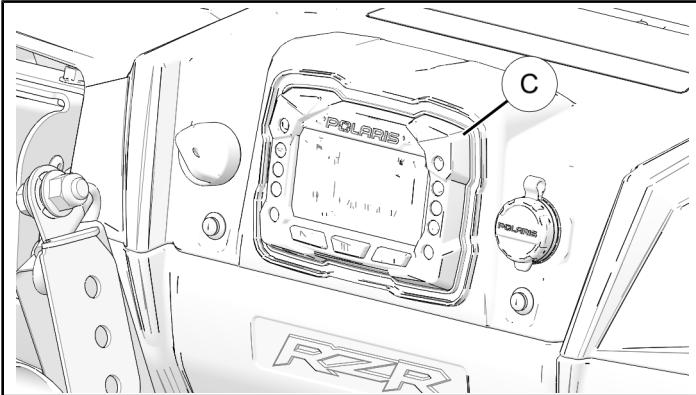
5. Connect wiring to 12V accessory plug.



8. Install dash. Install 13 push pin rivets.



6. Locate Ride Command **C**.



INSTRUCTION FEEDBACK FORM

A feedback form has been created for the installer to provide any comments, questions or concerns about the installation instructions. The form is viewable on mobile devices by scanning the QR Code® or by clicking [HERE](#) if viewing on a PC.

