

BOOT GUARD KIT



P/N 2890059

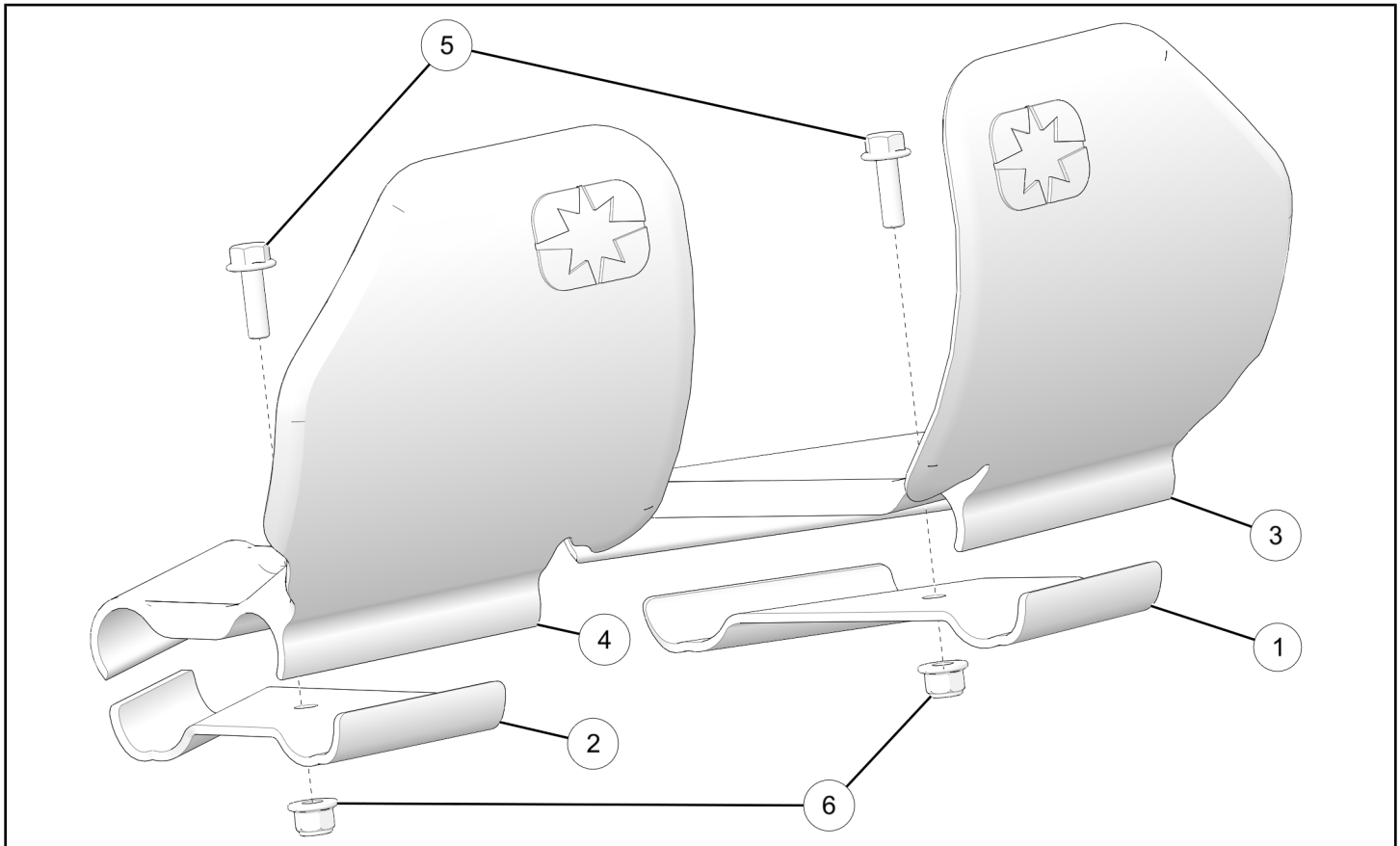
BEFORE YOU BEGIN

Read these instructions and check to be sure all parts and tools are accounted for. Please retain these installation instructions for future reference and parts ordering information.

APPLICATION

Verify accessory fitment at www.polaris.com.

KIT CONTENTS



REF	QTY	PART DESCRIPTION	P/N AVAILABLE SEPARATELY
1	1	Bracket – CV Shield, Left-hand, Strut	5273409
2	1	Bracket – CV Shield, Right-hand, Strut	5273410
3	1	Shield – CV, Front, Left-hand, Strut	n/a
4	1	Shield – CV, Front, Right-hand, Strut	n/a
5	2	Screw – M6 x 1.0 x 20 mm	7516822
6	2	Nut – Flanged, Locking, M6 mm	7547274

TOOLS REQUIRED

- Safety Glasses
- Socket Set, Metric
- Torque Wrench
- Wrench Set, Metric

IMPORTANT

Your Boot Guard Kit is exclusively designed for your vehicle. Please read the installation instructions thoroughly before beginning. Installation is easier if the vehicle is clean and free of debris. For your safety, and to ensure a satisfactory installation, perform all installation steps correctly in the sequence shown.

INSTALLATION INSTRUCTIONS

VEHICLE PREPARATION

GENERAL

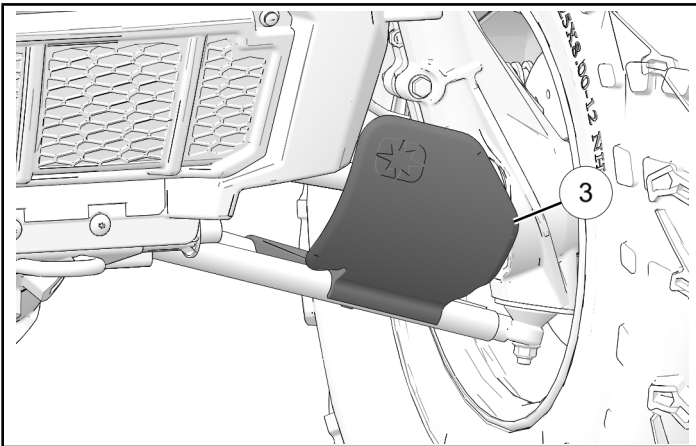
1. Park vehicle on a flat surface.
2. Shift vehicle into PARK.
3. Turn key to OFF position and remove key.

ACCESSORY INSTALLATION

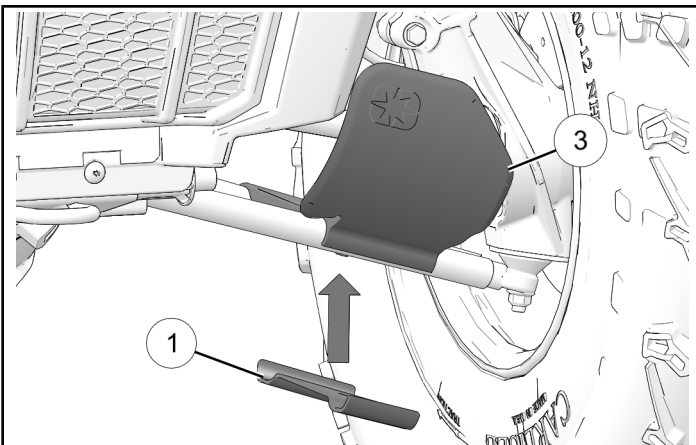
NOTICE

Left side shown, right side similar.

1. Install boot guard ③ on top of lower a-arm.



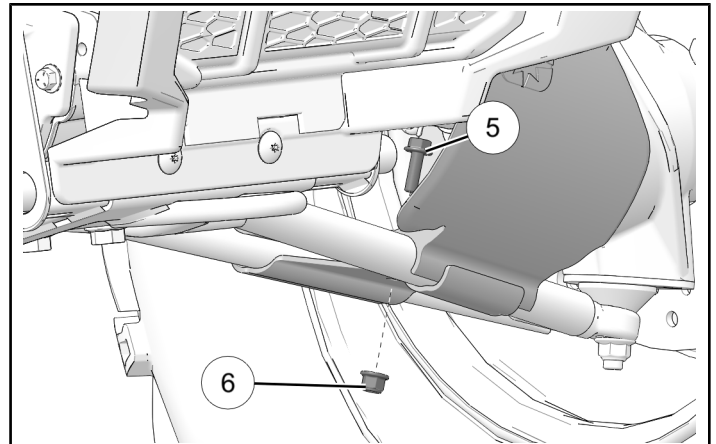
2. Install lower mounting bracket ①. Line up with boot guard ③.



3. Attach boot guard and lower mounting bracket to lower a-arm using screw ⑤ and nut ⑥ Torque to specification.

TORQUE

Boot Guard Nut ⑥:
53 in-lbs (6 N·m)



INSTRUCTION FEEDBACK FORM

A feedback form has been created for the installer to provide any comments, questions or concerns about the installation instructions. The form is viewable on mobile devices by scanning the QR code or by clicking [HERE](#) if viewing on a PC.

