

LIGHTBAR MOUNT KIT



P/N 2890053

BEFORE YOU BEGIN

Read these instructions and check to be sure all parts and tools are accounted for. Please retain these installation instructions for future reference and parts ordering information.

APPLICATION

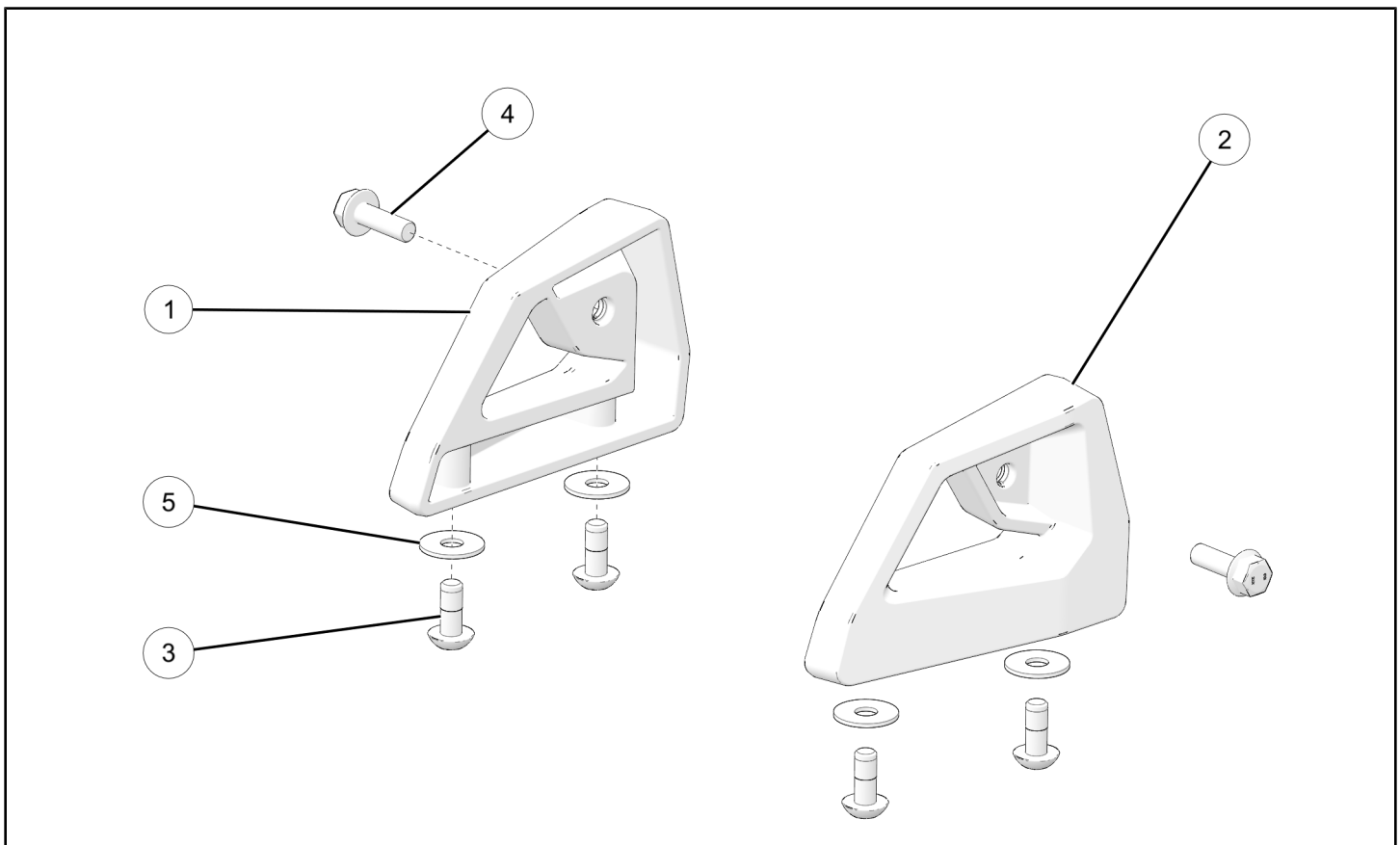
Verify accessory fitment at www.polaris.com.

REQUIRED SOLD SEPARATELY

Only parts for installation of the Lightbar Mount Kit are included. For complete installation, the following additional kit is required (sold separately):

- *Roof kit* (See dealer or website for compatible kit)
- *Light bar kit* (See dealer or website for compatible kit)
- *Light bar harness kit* (See dealer or website for compatible kit)

KIT CONTENTS



REF	QTY	PART DESCRIPTION	P/N AVAILABLE SEPARATELY
1	1	Mount Lightbar, Left	n/a
2	1	Mount Lightbar, Right	n/a

REF	QTY	PART DESCRIPTION	P/N AVAILABLE SEPARATELY
3	4	Screw, Torx® Truss Head, M8 x 1.25 x 20 mm	7519997
4	2	Screw, Hex Flange, M8 x 1.25 x 25 mm	7521332-25
5	4	Washer, 8.4 x 24 x 2 mm	7556045
6	1	Lightbar Template	9940967

TOOLS REQUIRED

- Safety Glasses
- Drill
- Drill Bit:
 - 3/8 in (10 mm)
 - 3/4 in (19 mm)
- Socket Set, Metric
- Socket Set, Torx® Bit
- Torque Wrench

CONSUMABLES REQUIRED

- Tape
- Marker/Pencil

IMPORTANT

Your Lightbar Mount Kit is exclusively designed for your vehicle. Please read the installation instructions thoroughly before beginning. Installation is easier if the vehicle is clean and free of debris. For your safety, and to ensure a satisfactory installation, perform all installation steps correctly in the sequence shown.

INSTALLATION INSTRUCTIONS

VEHICLE PREPARATION

GENERAL

1. Park vehicle on a flat surface.
2. Shift vehicle into PARK.
3. Turn key to OFF position and remove key.
4. If roof is installed, remove from vehicle for roof preparation.

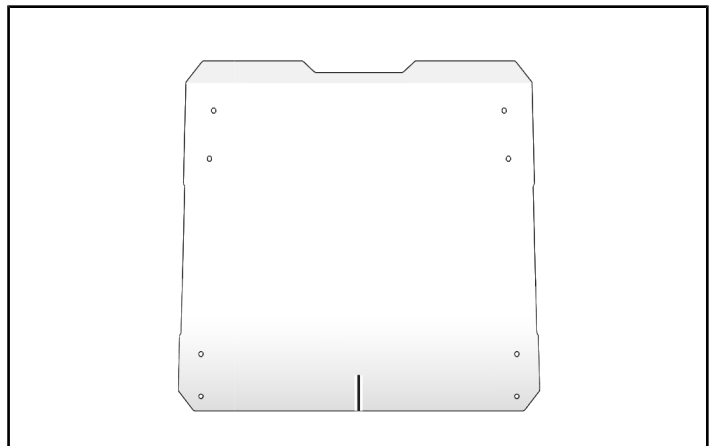
ACCESSORY INSTALLATION

ROOF PREPARATION

NOTICE

Aluminium Roof shown; other roofs similar.

1. Find and mark centerline of roof.



LIGHT BAR ASSEMBLY

NOTICE

30 inch light bar shown; other light bars similar

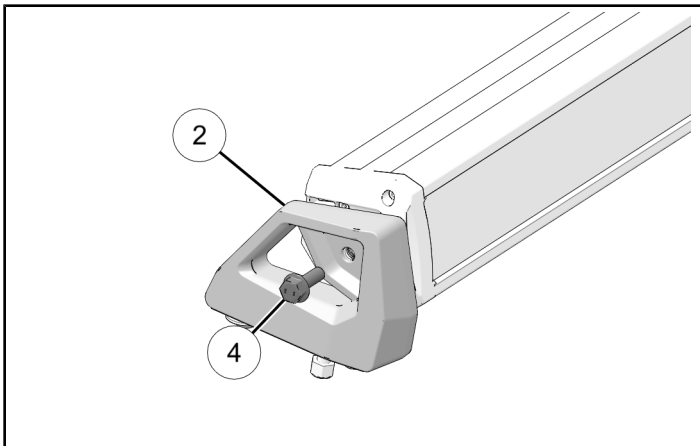
NOTICE

Right side shown; left side similar.

1. Install lightbar mount ② and ① onto lightbar with two screws ④ and the appropriate lock washer set. Torque screws to specification.

TORQUE

Screws ④:
106 in-lbs (12 N·m)

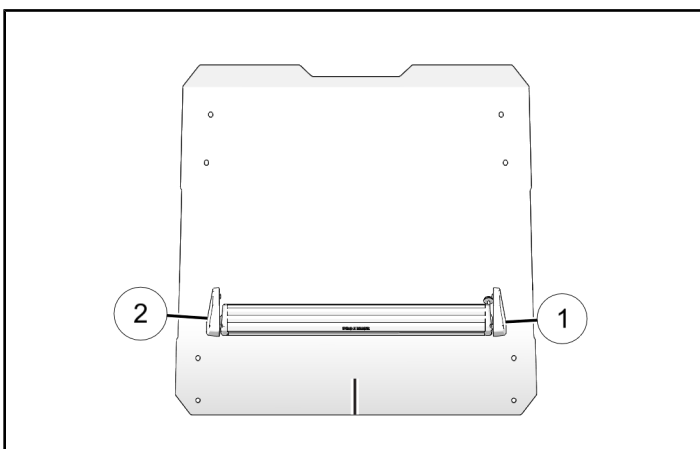


LIGHT BAR CENTERING AND LAYING TEMPLATE

NOTICE

30 inch light bar shown; other light bars similar

1. Place light bar assembly on top of roof. Make sure that light bar assembly is as close as possible to the front flat edge of the roof. Find and mark the center point of light bar assembly.



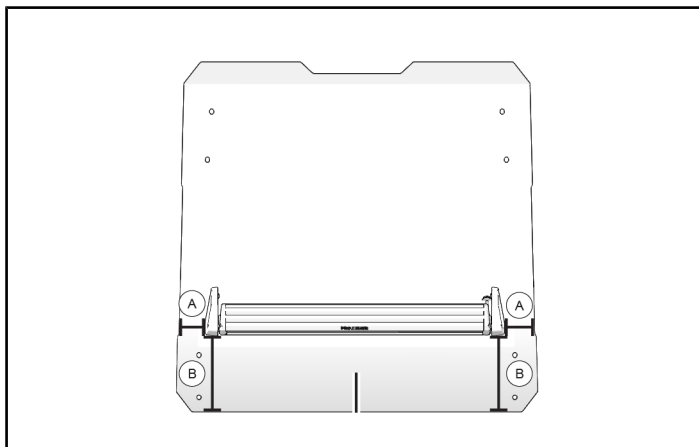
2. Line up center point of light bar assembly with center line of roof. Make sure that there is clearance underneath the roof for the fasteners and lightbar harness.

NOTICE

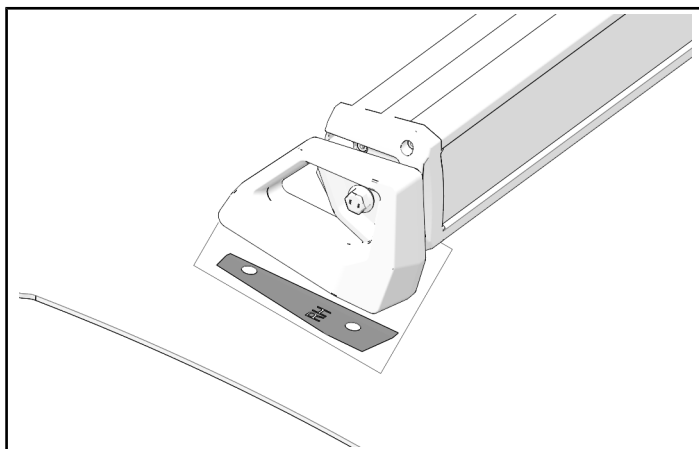
Center the light bar by making sure the two measurements ① are the same. Measure to sides of roof from the light bar mounts.

NOTICE

Parallel the light bar to the front edge by making sure the two measurements ② are the same. Measure from the light bar assembly to the front edge of the roof.



3. Cut template sheet in half.
4. Line up template sheet underneath lightbar mounts and tape sheets down.



5. Remove light bar assembly.

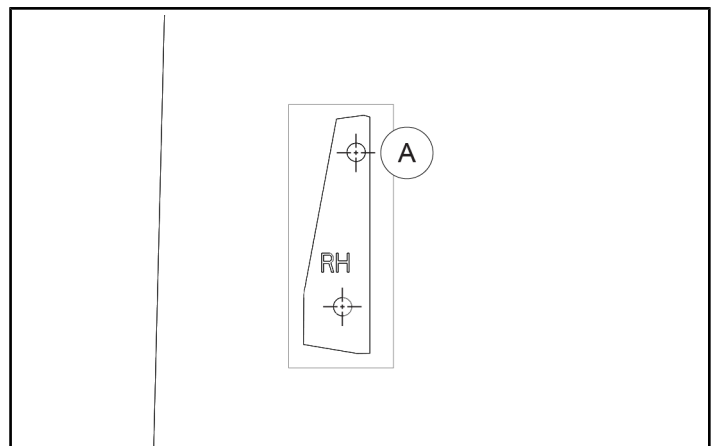
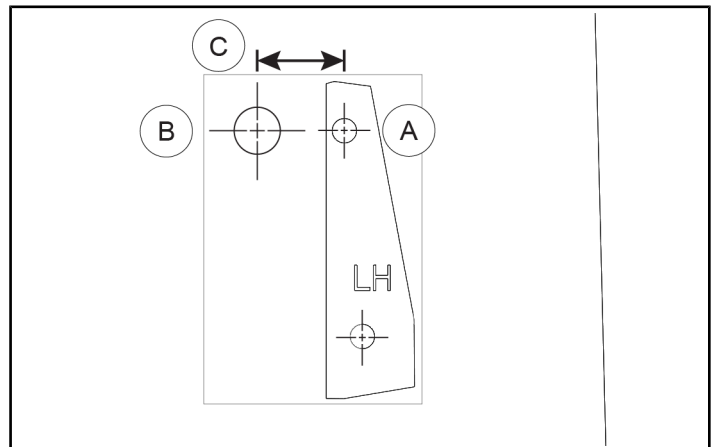


6. Mark all five holes on template as shown. Drill five holes as specified.

MEASUREMENT
Measurement (A): 3/8 in (10 mm)

MEASUREMENT
Measurement (B): 3/4 in (19 mm)

MEASUREMENT
Measurement (C): 1 in (25.40 mm)



7. Remove templates and tape.

INSTALLATION

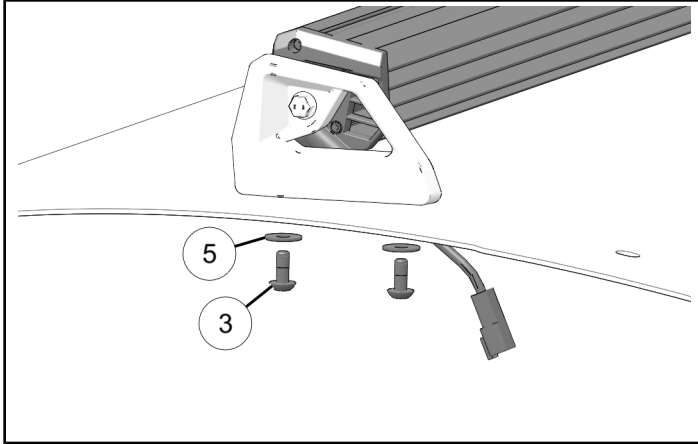
NOTICE
30 inch light bar shown; other light bars similar

NOTICE
Left side shown; right side similar.

1. Route light bar harness through 3/4" hole with grommet. Install light bar assembly with four screws ③ and four washers ⑤.

TORQUE

Screws ③:
106 in-lbs (12 N·m)



ROOF INSTALLATION

Install roof per instructions included with roof kit.

LIGHT BAR HARNESS ROUTING

Install light bar harness per instructions included with light bar harness kit.

INSTRUCTION FEEDBACK FORM

A feedback form has been created for the installer to provide any comments, questions or concerns about the installation instructions. The form is viewable on mobile devices by scanning the QR code or by clicking [HERE](#) if viewing on a PC.

