

# CHASE LIGHT MOUNT KIT



P/N 2884896; 2890052

## BEFORE YOU BEGIN

Read these instructions and check to be sure all parts and tools are accounted for. Please retain these installation instructions for future reference and parts ordering information.

## APPLICATION

Verify accessory fitment at [www.polaris.com](http://www.polaris.com).

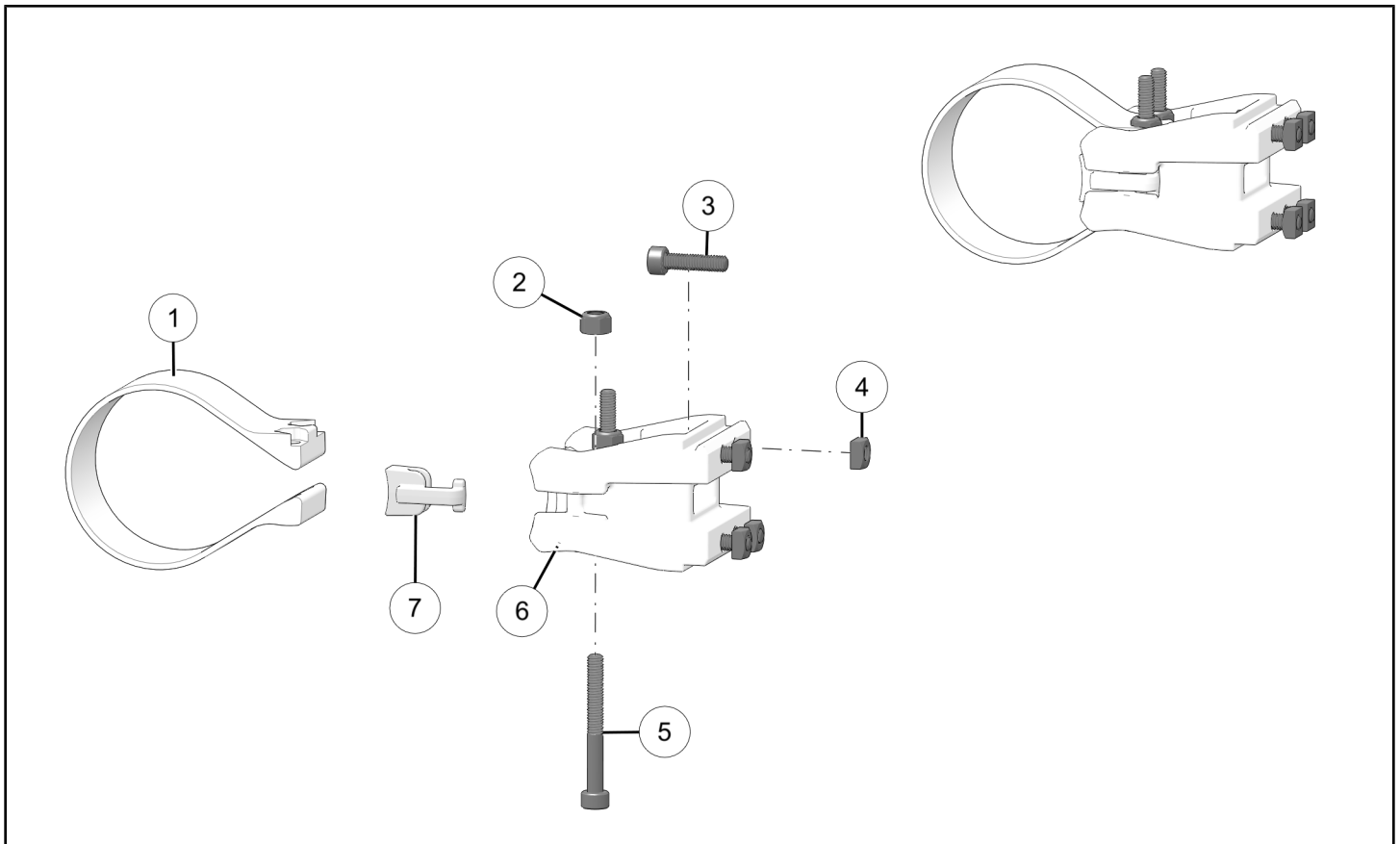
## REQUIRED SOLD SEPARATELY

Only parts for installation of the Chase Light Mount Kit are included. For complete installation, the following additional kit is required (sold separately):

- *Chase Light*, P/N 2884359

## KIT CONTENTS

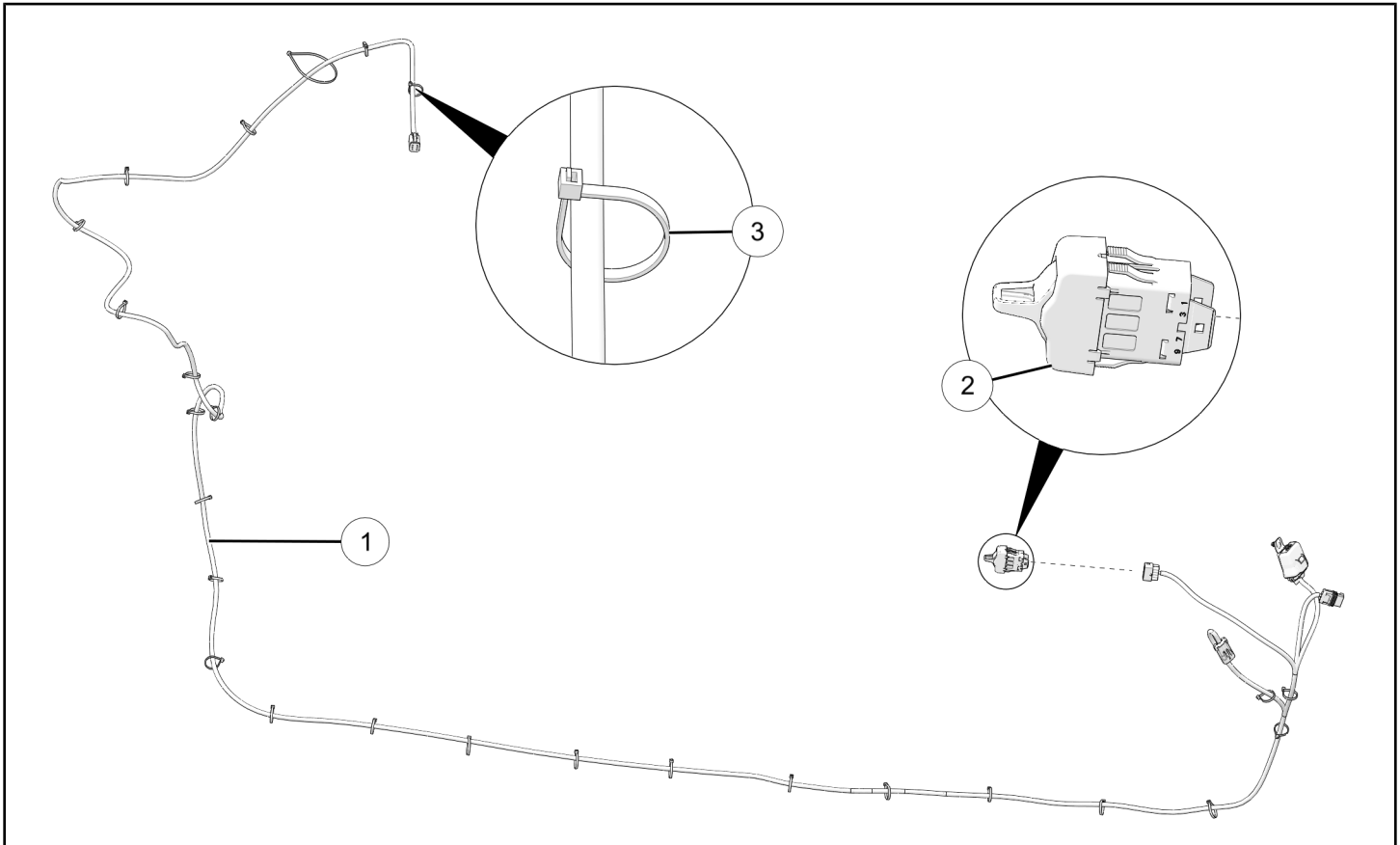
### CHASE LIGHT MOUNT KIT P/N 2884896



REF	QTY	PART DESCRIPTION	P/N AVAILABLE SEPARATELY
1	2	Clamp–Chase Light,	n/a
2	4	Nut–Hex	n/a
3	8	Screw–Socket Head (shorter)	n/a

REF	QTY	PART DESCRIPTION	P/N AVAILABLE SEPARATELY
4	8	Nut-Square	n/a
5	4	Screw-Socket Head (longer)	n/a
6	2	Mount-Chase Light	n/a
7	4	Bumpers-Rubber	n/a
8	2	Mount-Chase Light, Angled (not shown, similar to ⑥)	n/a

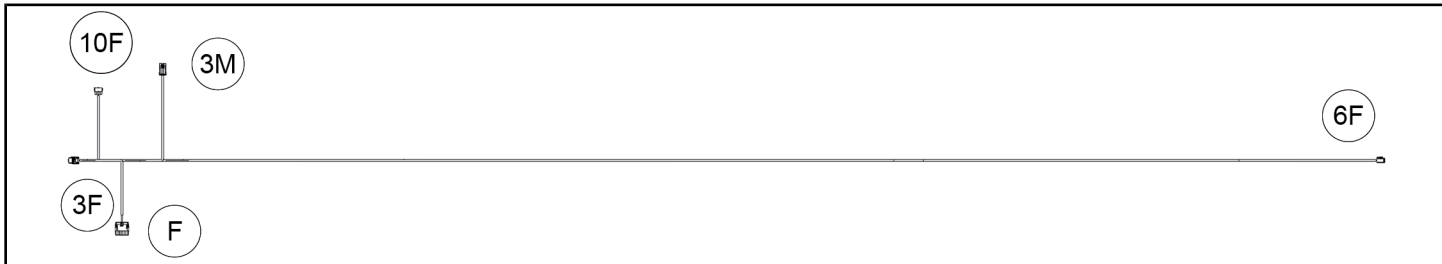
### CHASE LIGHT HARNESS KIT P/N 2890052



REF	QTY	PART DESCRIPTION	P/N AVAILABLE SEPARATELY
1	1	Harness-Chase Light (see Harness Detail)	n/a
2	1	Switch-Light	4019232
3	25	Cable Tie	7080138

# HARNES DETAIL

## CHASE LIGHT HARNESS ①



REF	PART DESCRIPTION	CONNECTS TO
3F	Connector–Pulse Bar	Polaris Pulse® Bar
10F	Switch	Switch ②
3M	Connector–Chassis Harness	Chassis Harness
6F	Connector–Chase Light	Chase Light (sold separately)
F	Fuse Block	Accessory Mounting Panel

## TOOLS REQUIRED

- Safety Glasses
- Hex Key Set, Metric
- Pliers, Push Pin Rivet
- Screwdriver Set, Torx®
- Socket Set, Hex Bit, Metric
- Socket Set, Metric
- Socket Set, Torx® Bit
- Torque Wrench

## IMPORTANT

Your Chase Light Mount Kit is exclusively designed for your vehicle. Please read the installation instructions thoroughly before beginning. Installation is easier if the vehicle is clean and free of debris. For your safety, and to ensure a satisfactory installation, perform all installation steps correctly in the sequence shown.

## INSTALLATION INSTRUCTIONS

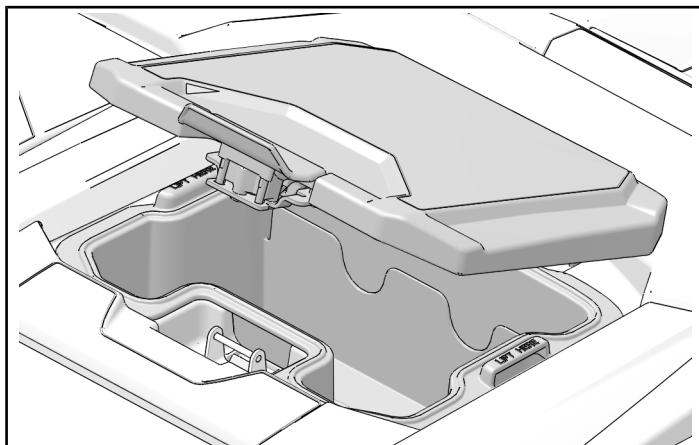
### VEHICLE PREPARATION

#### GENERAL

1. Shift vehicle transmission into PARK.
2. Turn key to OFF position and remove from vehicle.

### DASHBOARD STORAGE REMOVAL

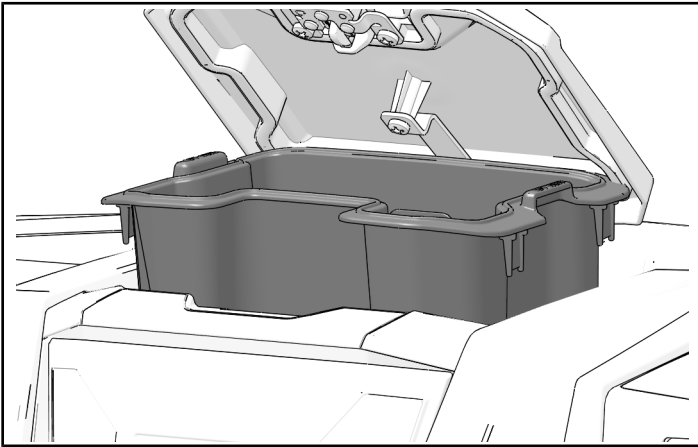
1. Open center dashboard storage compartment.



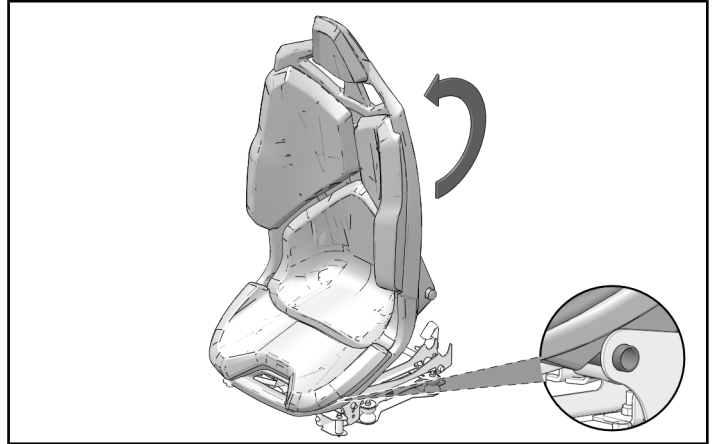
2. Remove storage compartment from dashboard.

**TIP**

If removing storage compartment is difficult, carefully use tool to pry storage compartment upwards where marked "LIFT HERE."



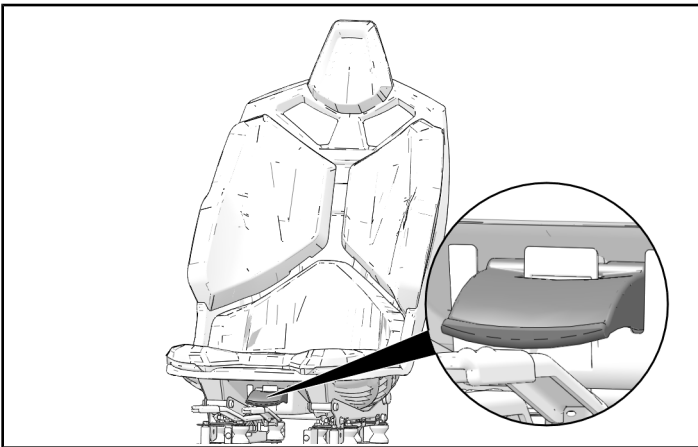
2. Tilt seat assembly forward and pull back slightly to disengage from receiver tube and remove seat from vehicle.



**SEAT REMOVAL**

**FRONT SEAT REMOVAL**

1. Pull up on lever, located below front of seat.

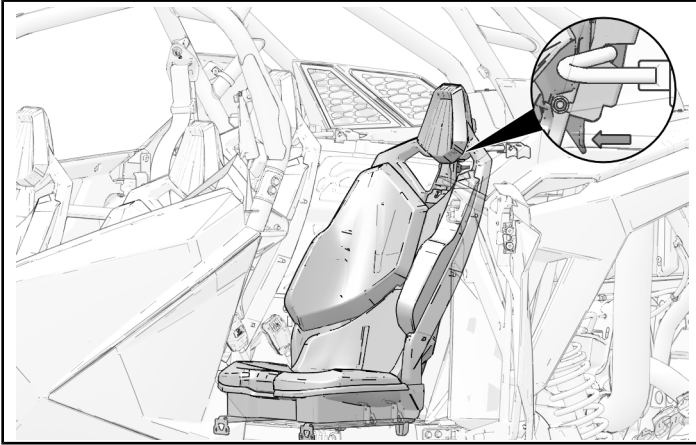


## REAR SEAT REMOVAL

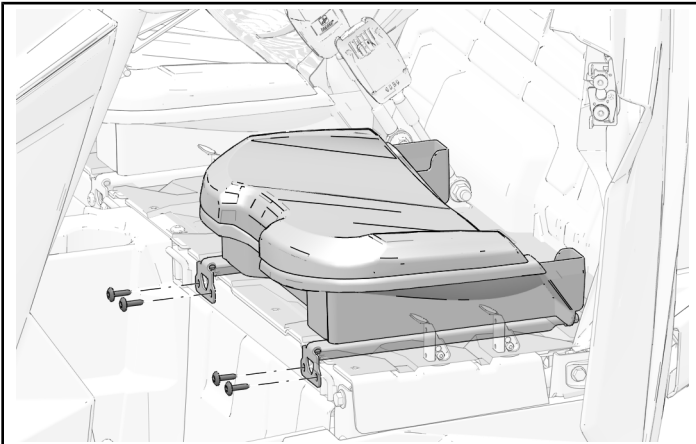
### NOTE

Left rear seat shown; right rear similar.

1. Push lever on back of headrest to disengage from receiver tube. Remove seat backrest from vehicle.



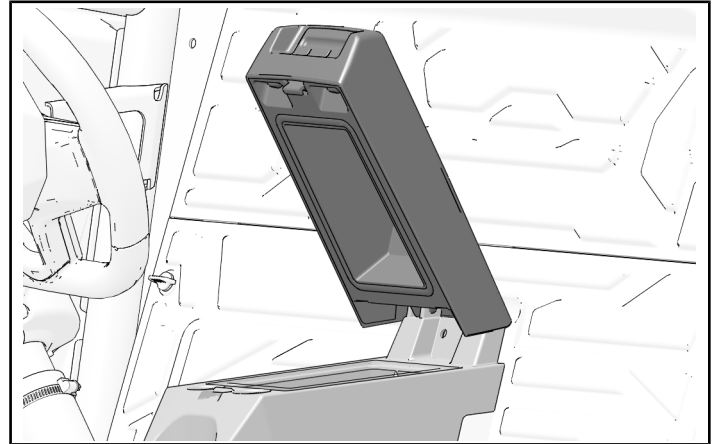
2. Remove and keep four seat bracket fasteners. Remove seat from rear seat panel.



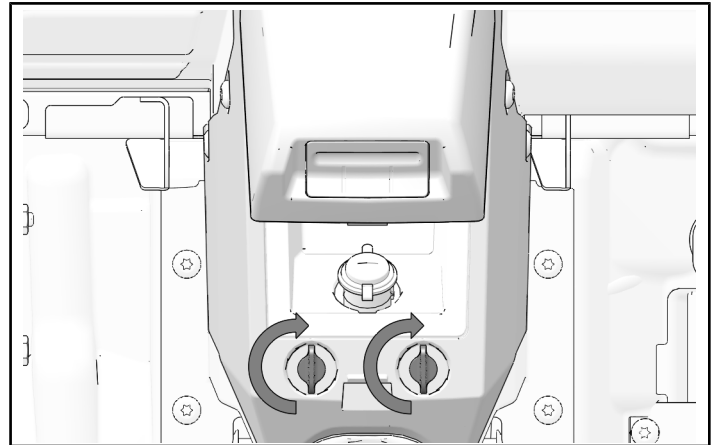
## FRONT CENTER CONSOLE DISASSEMBLY

### STORAGE COMPARTMENT REMOVAL

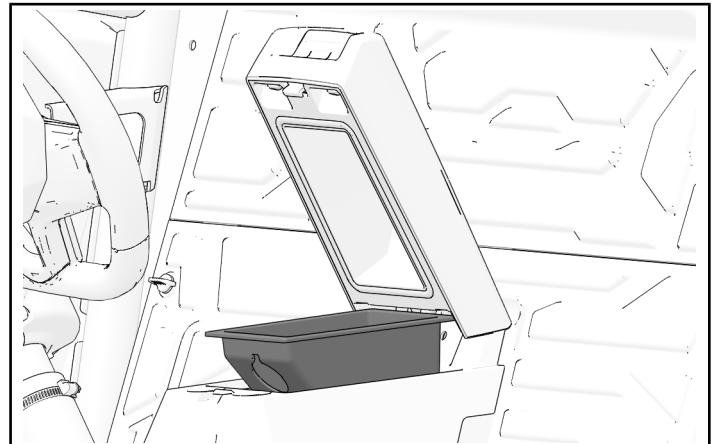
1. Open center console.



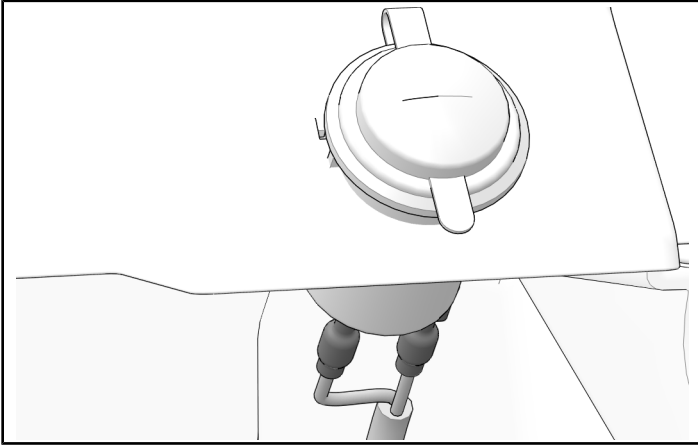
2. Turn each knob 1/4 turn to disengage from center console panel.



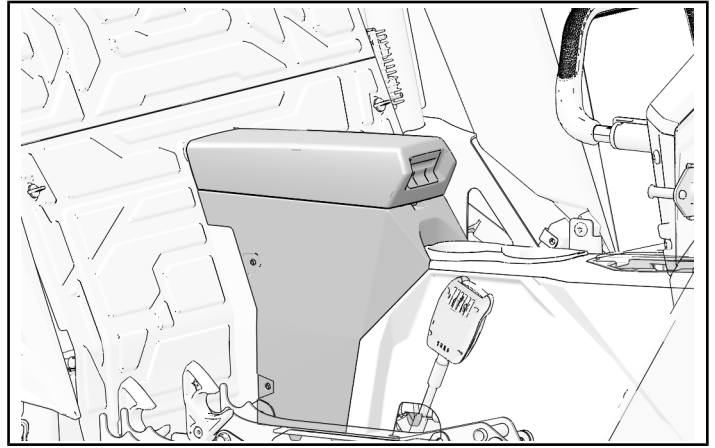
3. Remove and keep storage compartment.



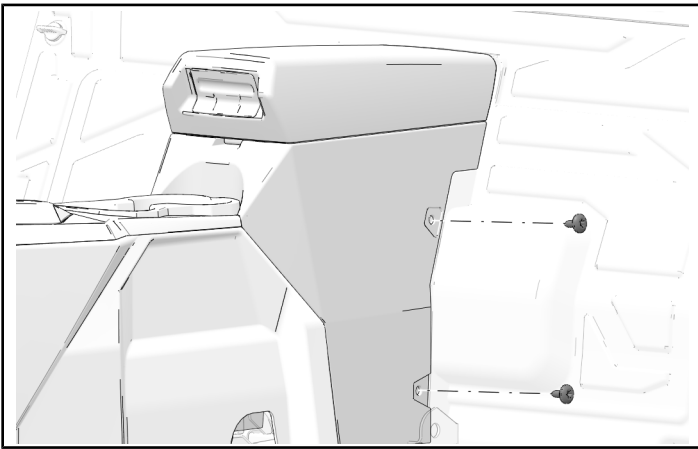
4. Disconnect 12 volt outlet from within center console cavity.



7. Remove center console storage compartment from vehicle.

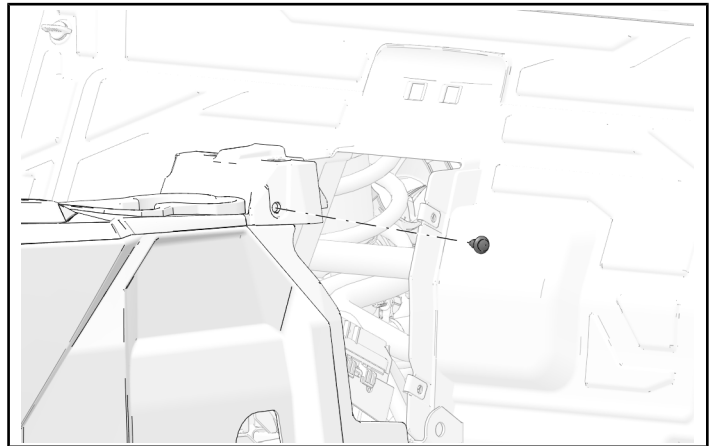


5. Remove and keep two center console fasteners from driver side.

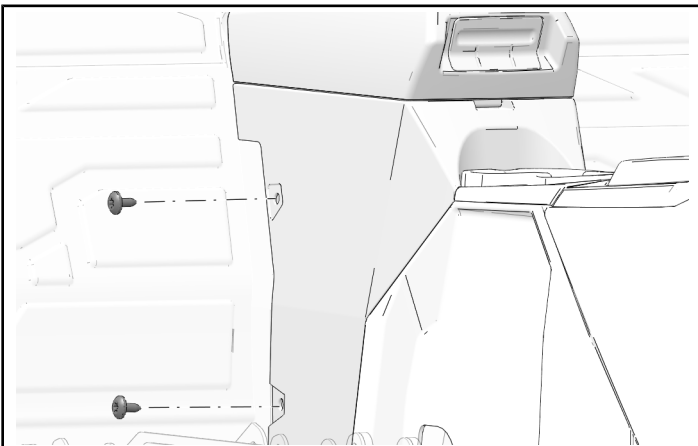


LEFT PANEL DISASSEMBLY

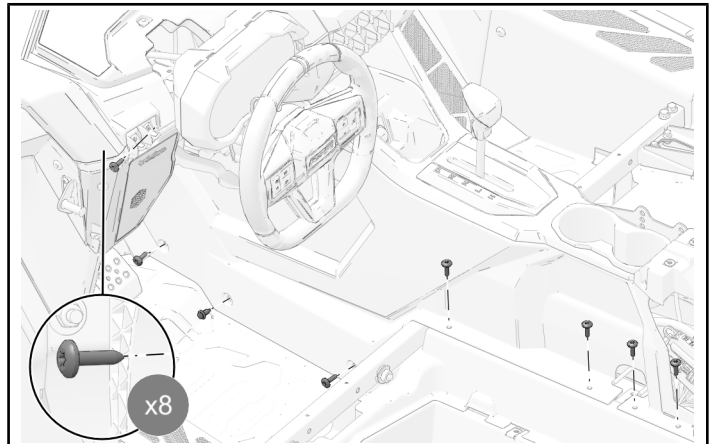
1. Remove and keep one push-pin rivet from center console.



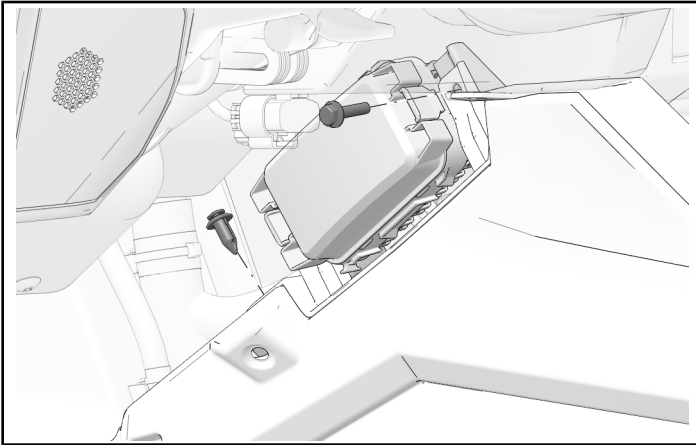
6. Remove and keep two center console fasteners from passenger side.



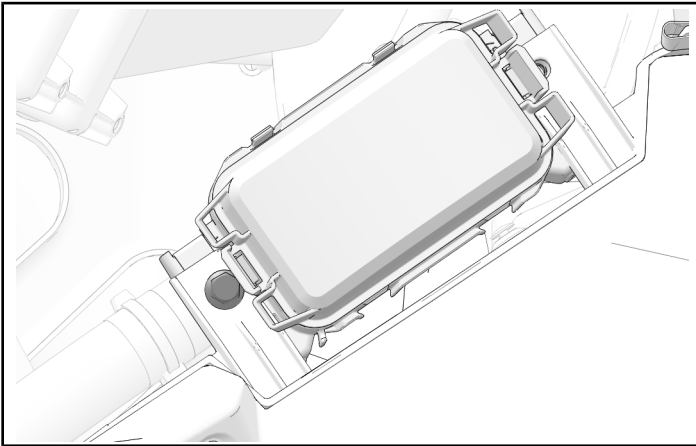
2. Remove and keep eight center console fasteners from driver's side.



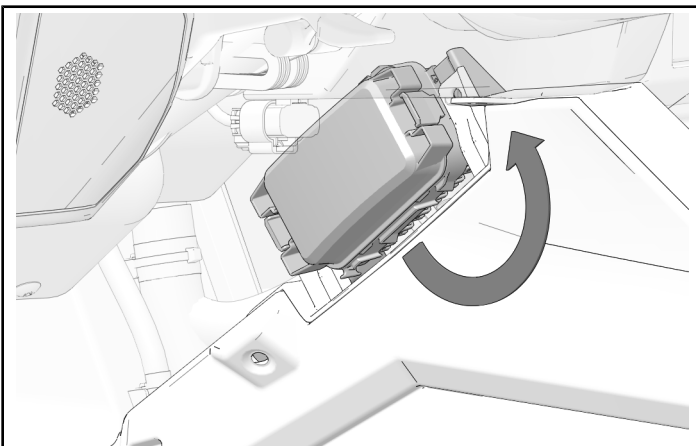
3. Remove and keep one push-pin rivet and fuse block fastener.



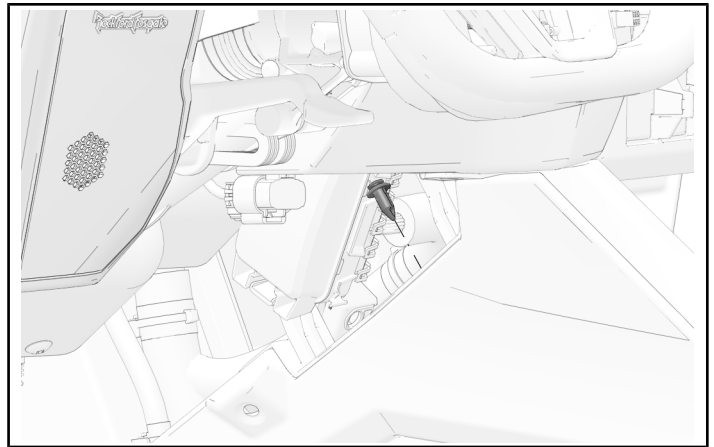
4. Loosen, but do not remove, left fuse block fastener.



5. Turn fuse block upwards towards front of vehicle to access push-pin rivet beneath fuse block.

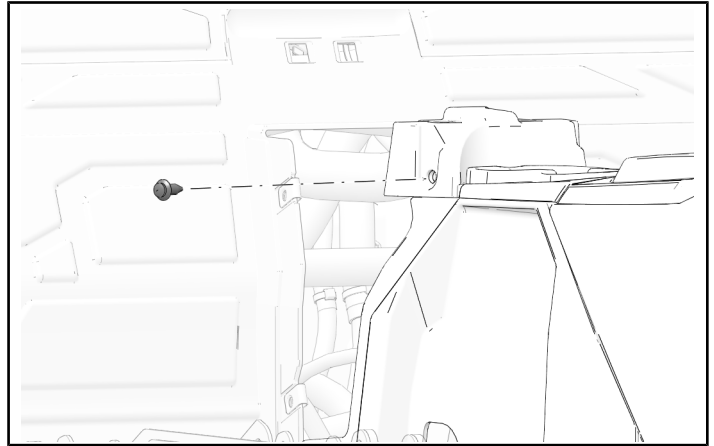


6. Remove and keep push-pin rivet.

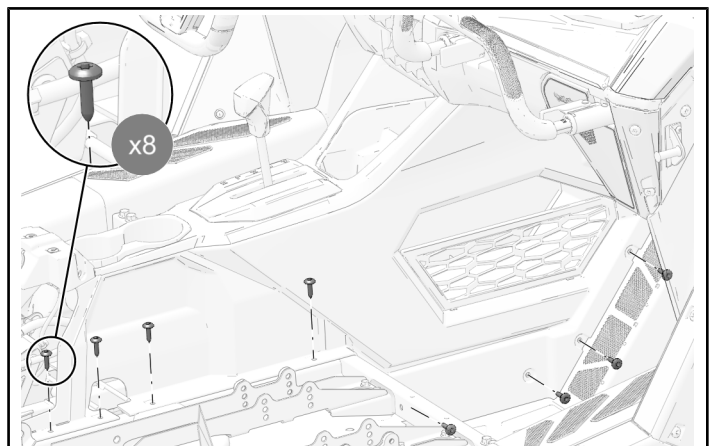


#### RIGHT PANEL DISASSEMBLY

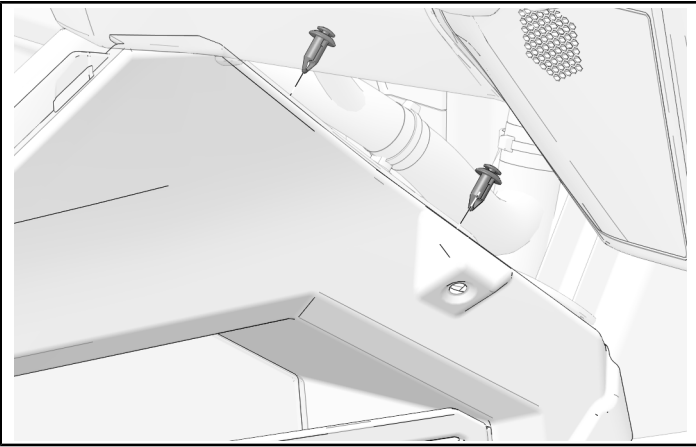
1. Remove and keep one push-pin rivet from center console.



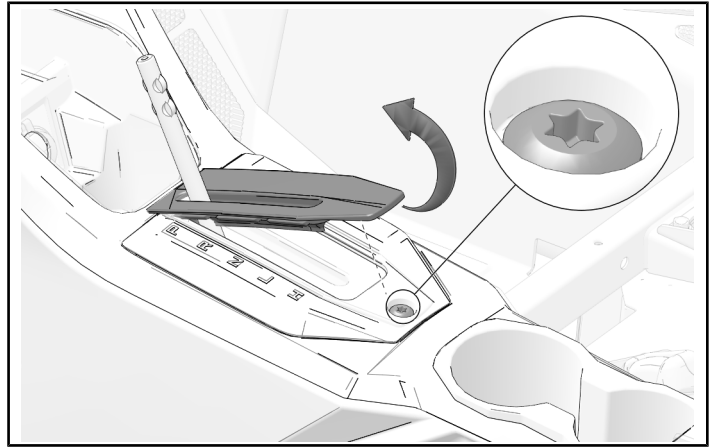
2. Remove and keep eight center console fasteners from passenger's side.



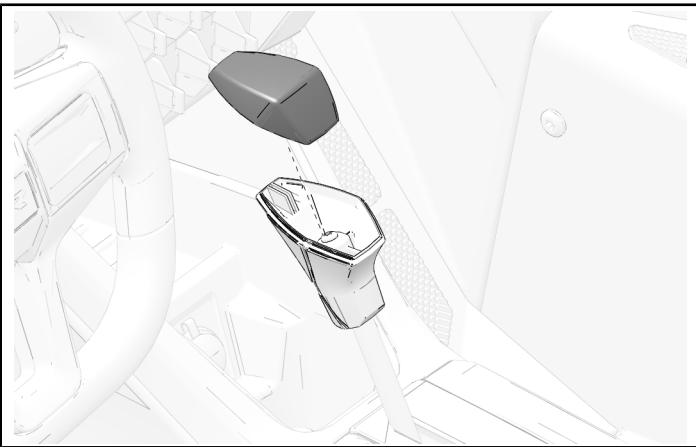
3. Remove and keep two push-pin rivets.



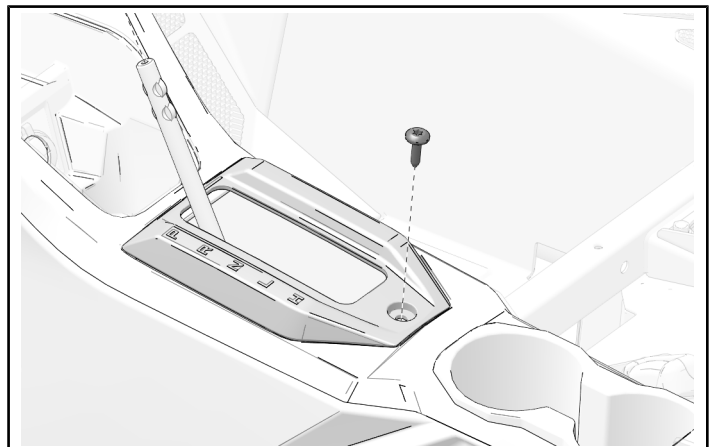
6. Lift and remove rubber trim piece from shifter gate opening to access screw.



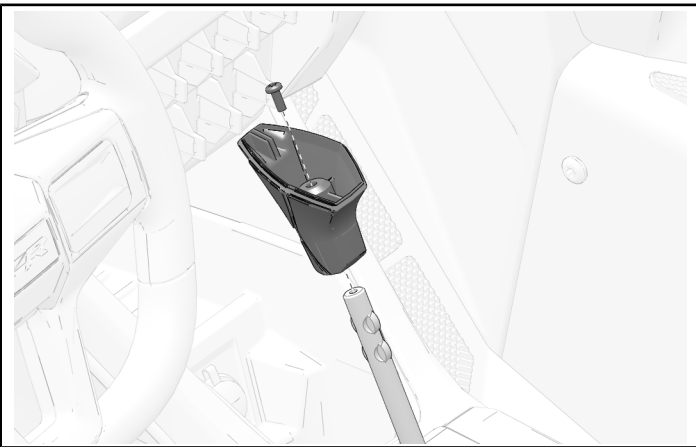
4. Remove and keep cap from shifter knob.



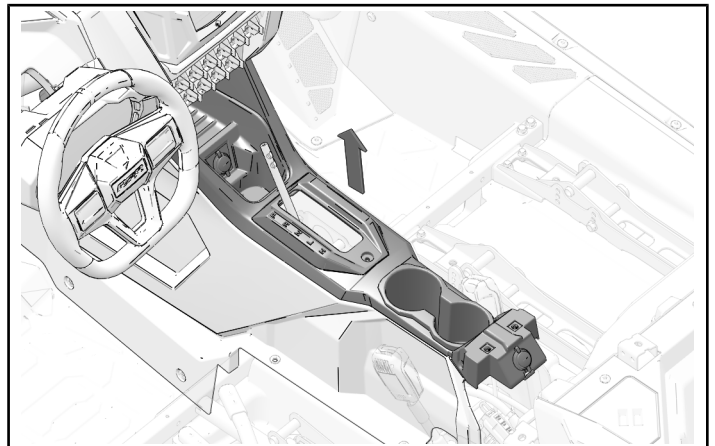
7. Remove screw from shifter gate trim.



5. Remove and keep screw, pull shift knob from shift lever.



8. Carefully lift center panel upwards to remove side panels from vehicle.





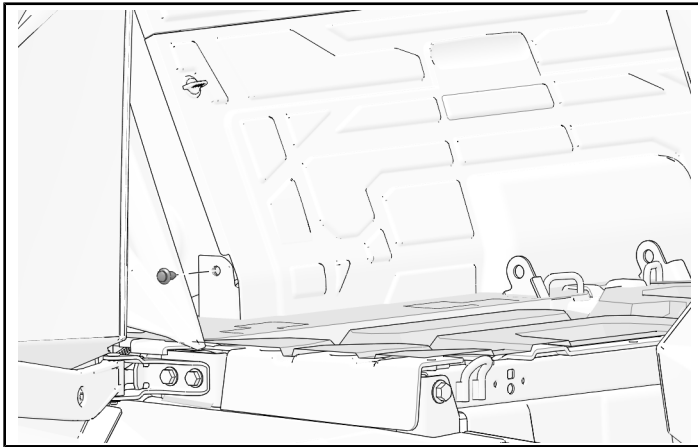
## **MULTI-PASSENGER VEHICLES ONLY**

### **REAR SEAT PANEL REMOVAL**

1. Remove and keep eleven seat panel fasteners.



2. Remove and keep one push-pin rivet from right-rear of seat panel.



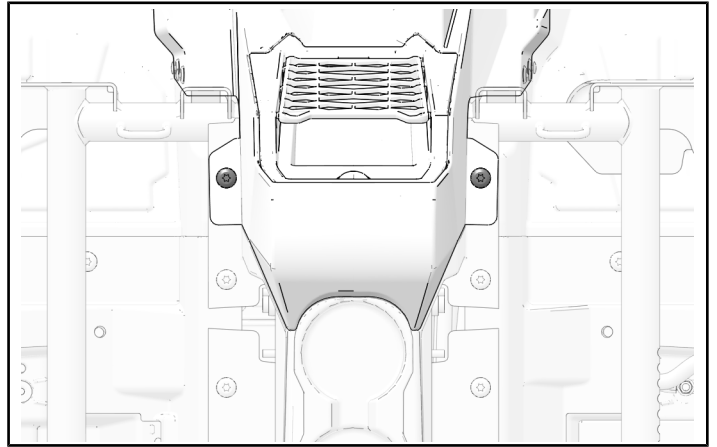
3. Remove seat panel from vehicle.

### **REAR CENTER CONSOLE DISASSEMBLY**

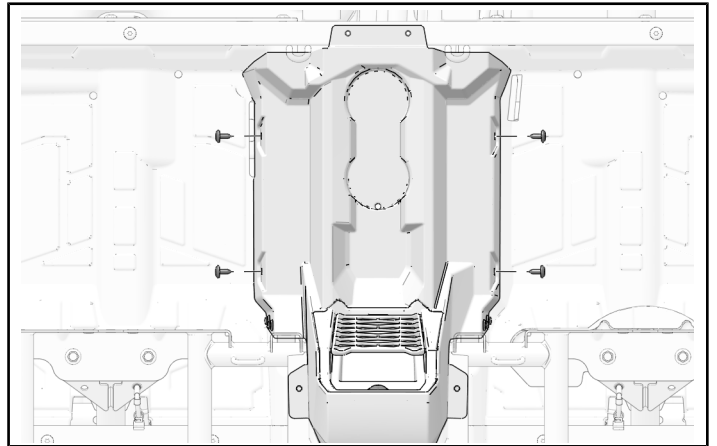
#### **IMPORTANT**

Note size difference of fasteners removed in steps 1 and 2.

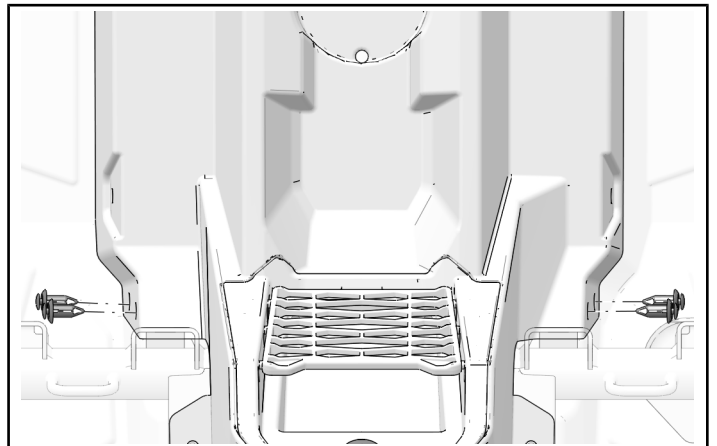
1. Remove and keep two center console top fasteners (longer).



2. Remove and keep four center console side fasteners (shorter).



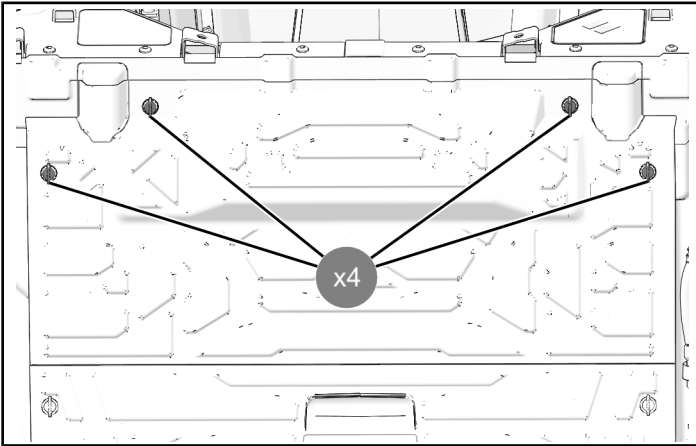
3. Remove and keep four push-pin rivets.



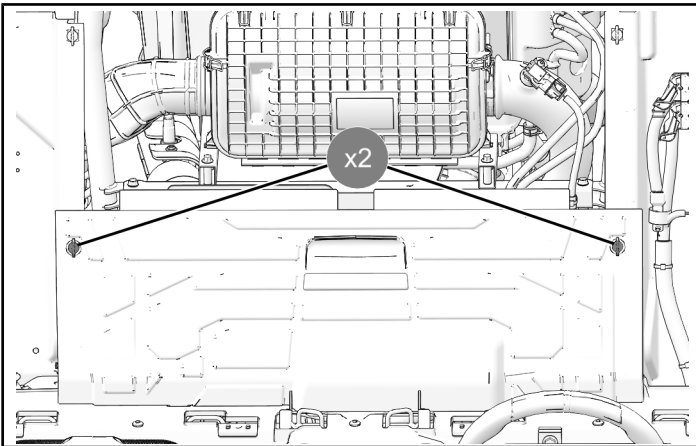
4. Lift rear center console and disconnect 12V outlet. Remove center console.

## CLOSE-OFF PANEL REMOVAL

1. Turn four fasteners one quarter turn to disengage and remove top close-off panel.



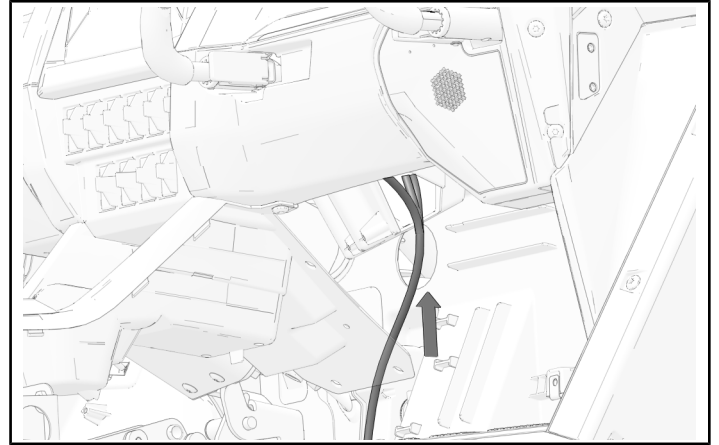
2. Turn two fasteners one quarter turn to disengage and remove bottom close-off panel.



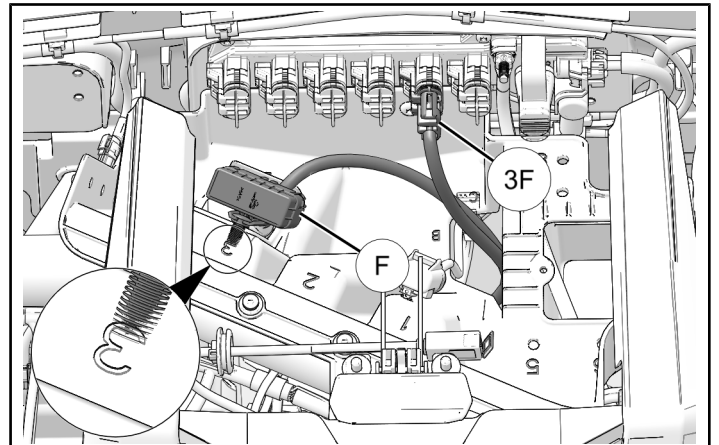
## ACCESSORY INSTALLATION

### CHASE LIGHT HARNESS KIT P/N 2890052

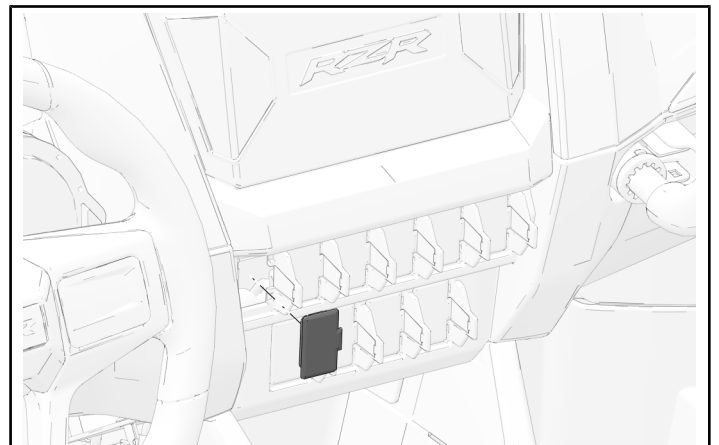
1. Put connectors 3F and fuse box F through opening in accessory mounting panel.



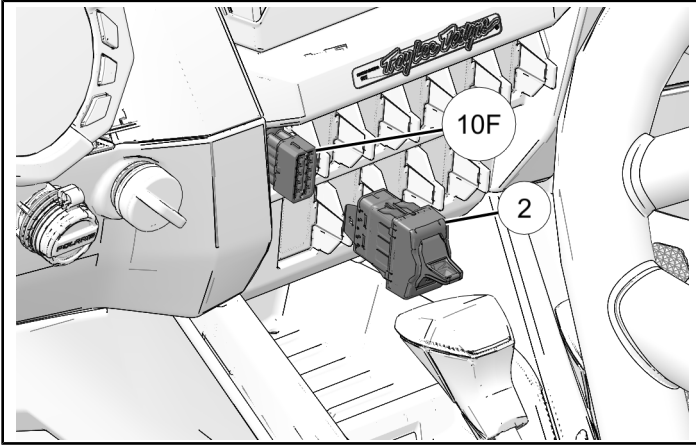
2. Install fuse block F to accessory mounting panel position 3, located in dashboard storage opening. Connect 3F to Pulse® Bar.



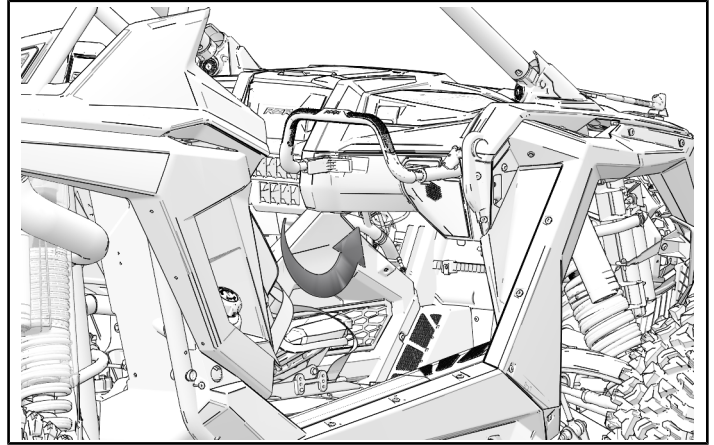
3. Remove switch blank from dashboard.



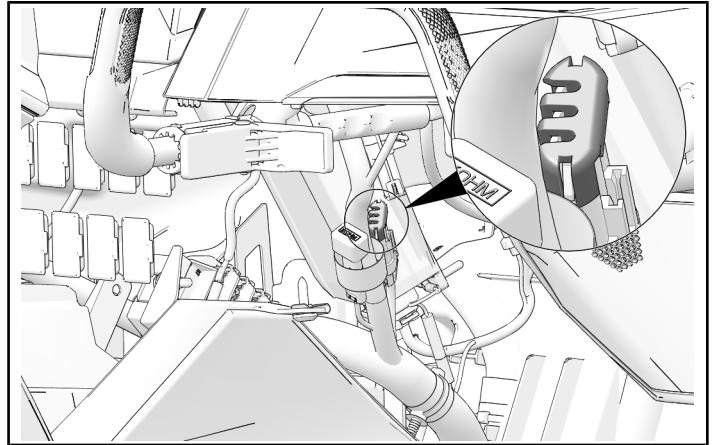
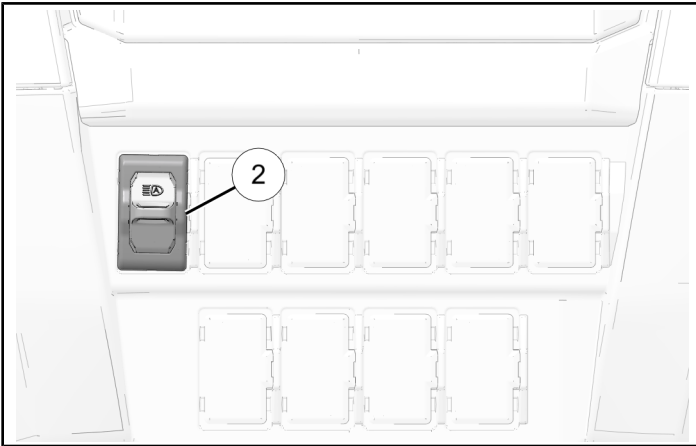
4. Put switch connector **10F** through dashboard opening and connector to switch **2**.



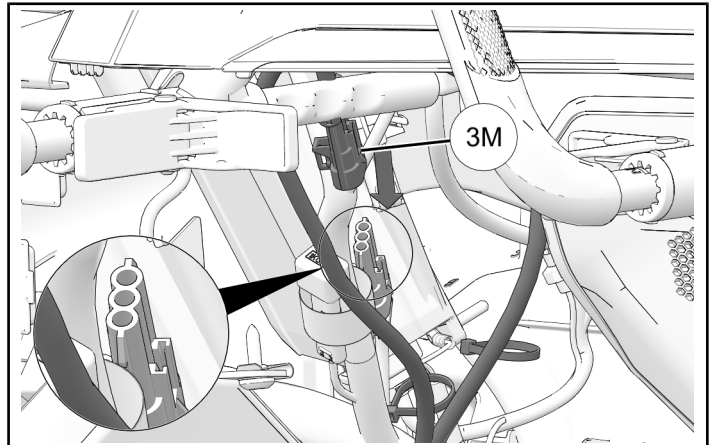
6. Locate vehicle power plug under dash. Remove cap from power plug.



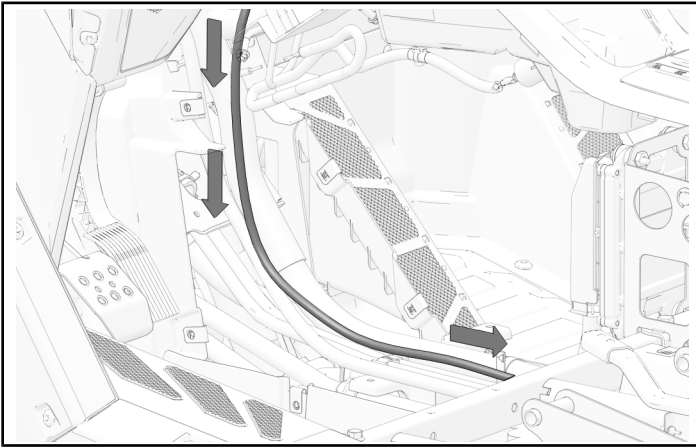
5. Push switch **2** into dashboard until snaps into place.



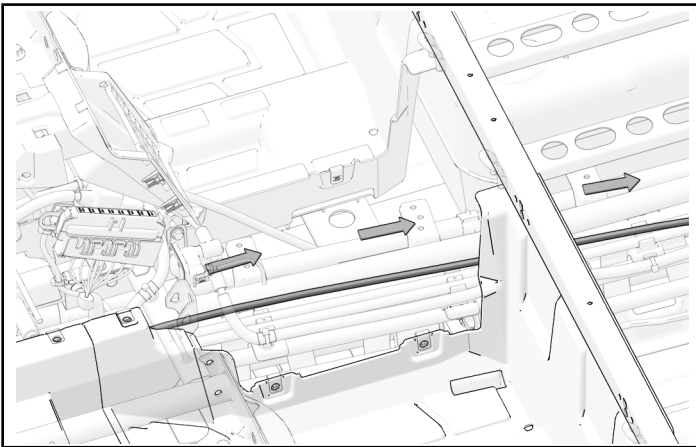
7. Connect **3M** to vehicle power.



8. Put harness down center of vehicle.



9. Multi-passenger vehicles only:  
Put harness down center of vehicle beneath rear seat panel.



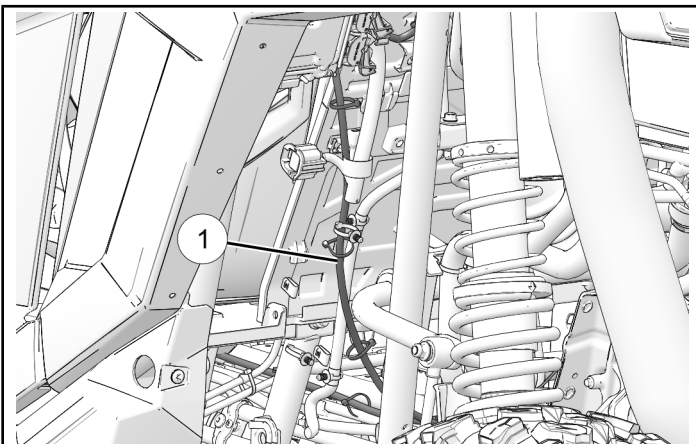
10. Route harness ① up in front of rear wheel.

**NOTICE**

Some parts hidden for clarity.

**NOTICE**

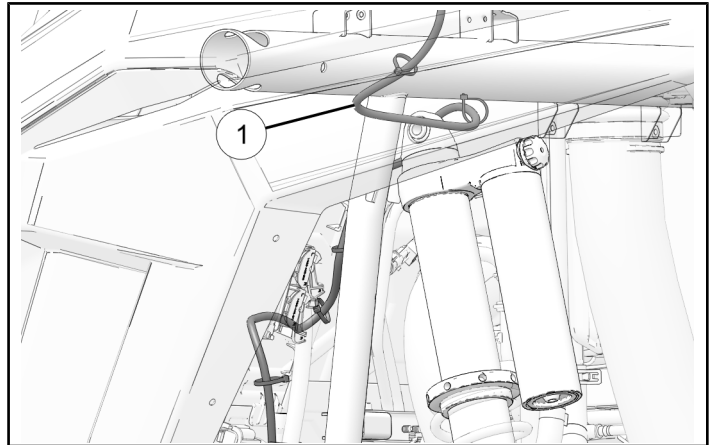
Pro R model shown, Pro XP and Turbo R similar.



11. Route harness ① around chassis tube and top of shock.

**NOTICE**

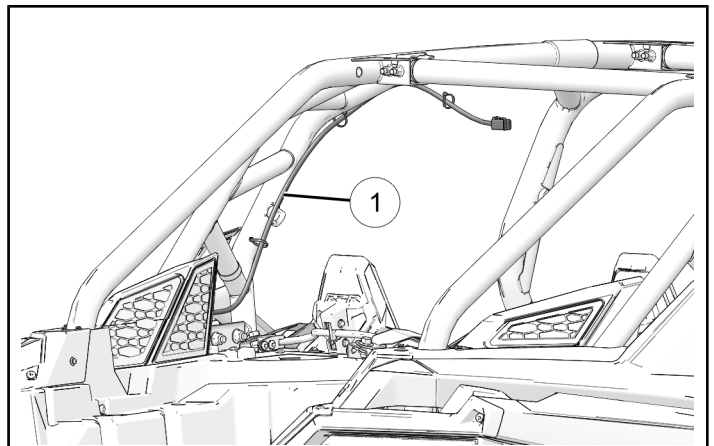
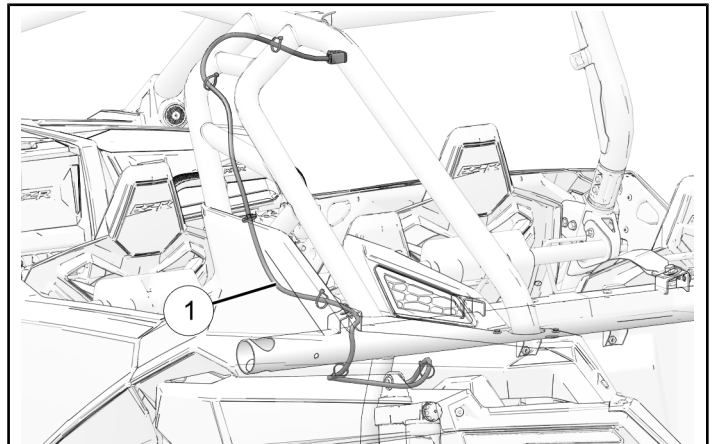
Pro R model shown, Pro XP and Turbo R similar.



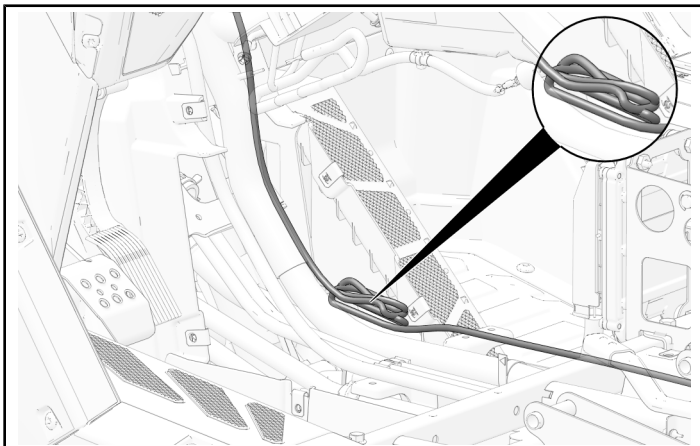
12. Route harness ① up through opening behind side panel. Attach to chassis using cable ties.

**NOTICE**

Pro R model shown, Pro XP and Turbo R similar.



13. Two passenger vehicles only:  
Collect excess harness and secure with a cable tie  
③.



14. Examine harness routing and secure loose areas with cable ties ③.

**IMPORTANT**

Secure harness to vehicle with cable ties away from heat sources and moving parts.

**CHASE LIGHT MOUNT KIT P/N 2884896**

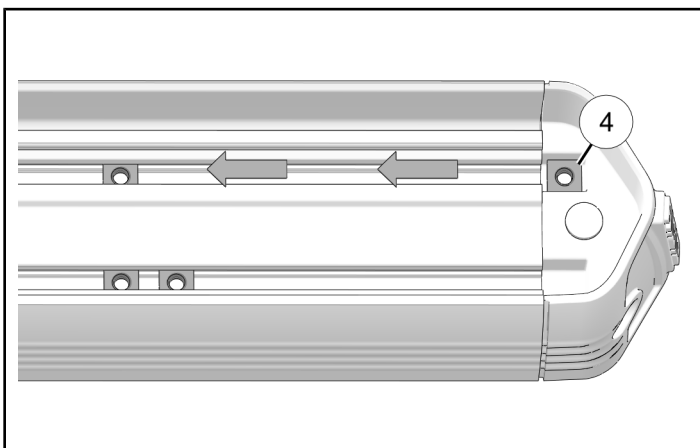
**NOTICE**

Mount ⑥ shown; angled mount ⑧ similar.

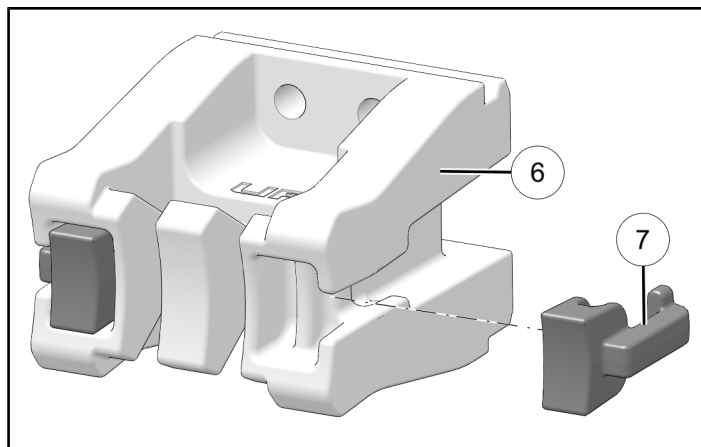
**NOTICE**

One clamp shown; two required for installation.

1. Put four square nuts ④ into rear rail of chase light. Move square nuts inward.



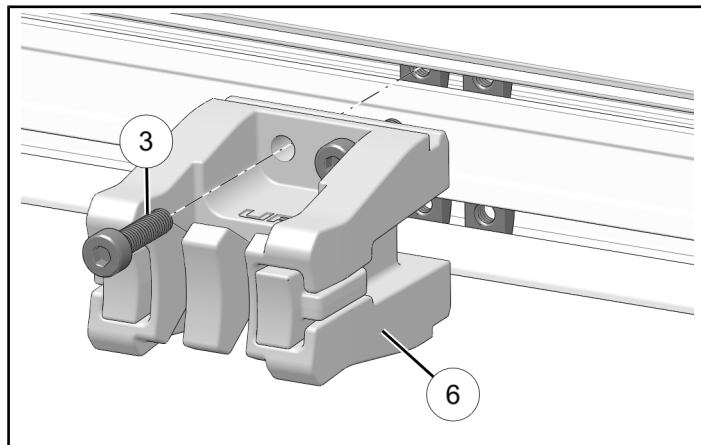
2. Insert two rubber bumpers ⑦ into mount ⑥.



3. Align one mount ⑥ with four square nuts and install with four fasteners ③.

**TIP**

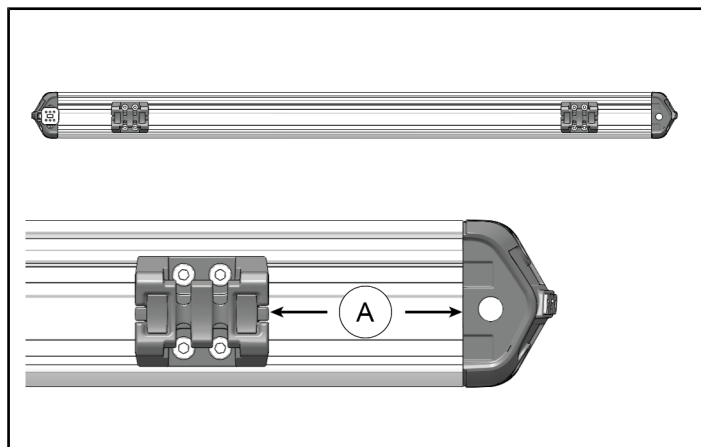
Make sure fasteners are installed to square nuts but do not tighten at this time.



4. Move mounts according to distance, as shown below.

**MEASUREMENT**

Approximate Measurement (A):  
**2-1/2 in (63.5 mm)**



5. Torque mount fasteners ③ to specification.

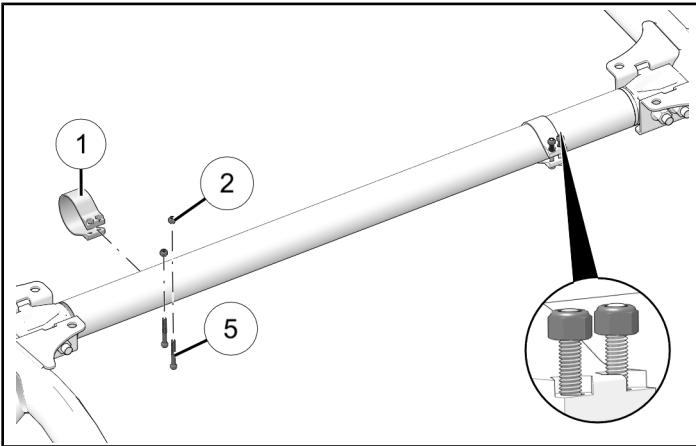
**TORQUE**

Mount Fasteners ③:  
**6 in-lbs (1 N·m)**

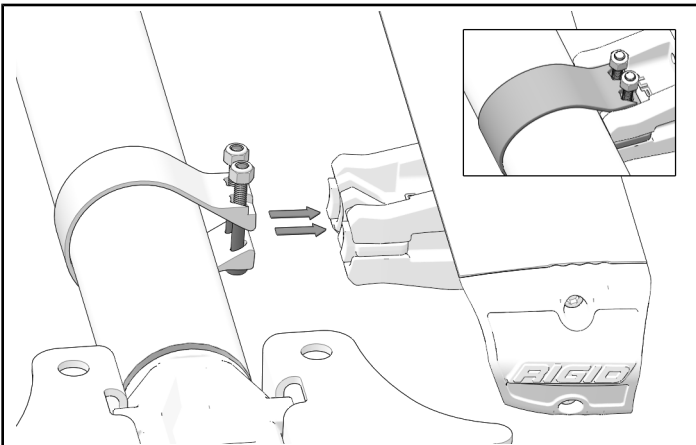
6. Put two clamps ① around rear cross beam. Loosely install with two fasteners ⑤ and two nuts ②.

**TIP**

Note orientation of fasteners. Make sure nuts are only threaded onto the very top of the fastener.



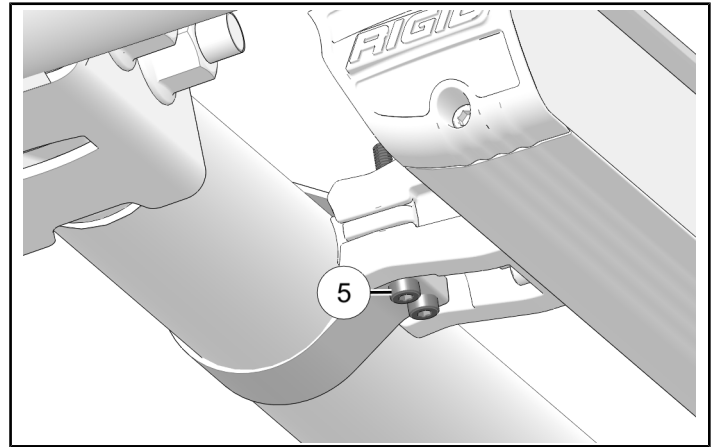
7. Align two mounts with clamps and install between clamp ends so that fasteners slide in between mount openings.



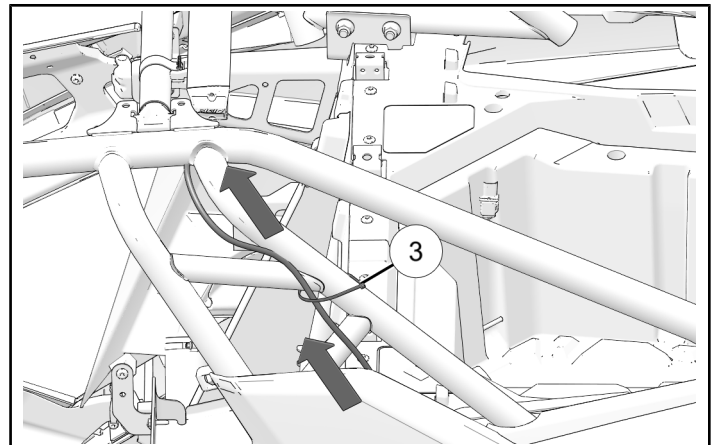
8. Tighten clamp fasteners ⑤ to specification.

**TORQUE**

Clamp Fasteners ⑤:  
**6 in-lbs (1 N·m)**



9. Route chase light harness towards light fixture. Secure harness to ROPS pillar with cable tie ③.

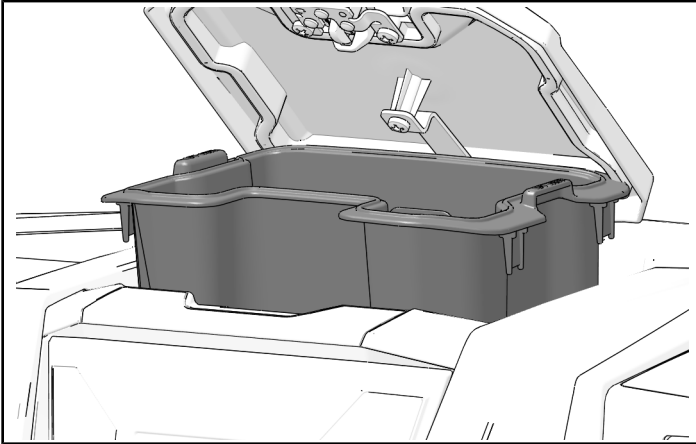


10. Connect chase light harness connector 6F to chase light fixture.

## VEHICLE REASSEMBLY

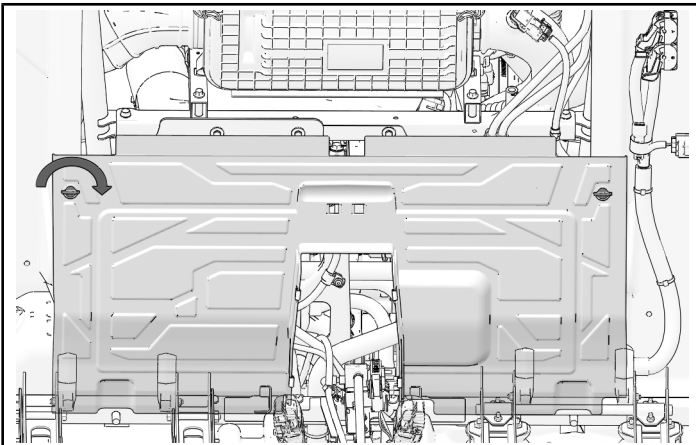
### DASHBOARD STORAGE INSTALLATION

1. Put storage compartment into dashboard cavity.

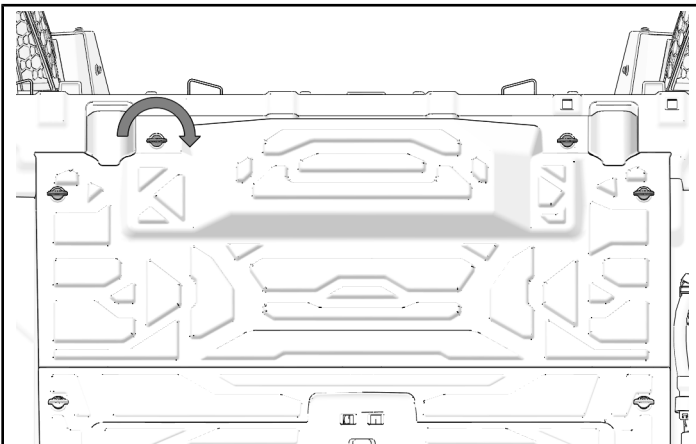


### CLOSE-OFF PANEL INSTALLATION

1. Turn each knob one quarter turn to securely engage with back panel.



2. Turn each knob one quarter turn to securely engage with back panel.



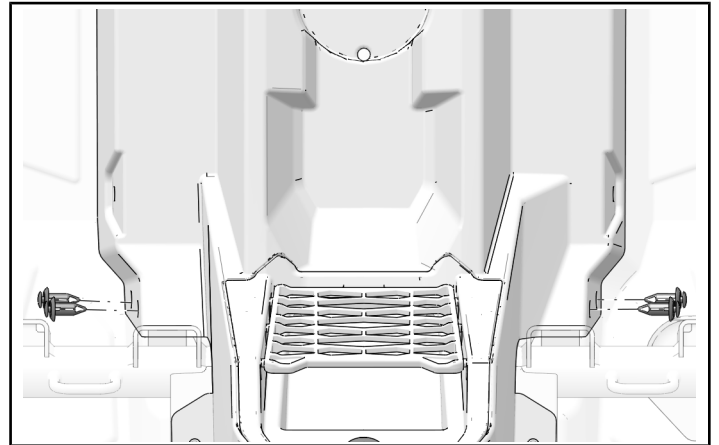
## MULTI-PASSENGER VEHICLES ONLY

### REAR CENTER CONSOLE ASSEMBLY

#### IMPORTANT

Note size difference of fasteners installed in steps 2 and 3.

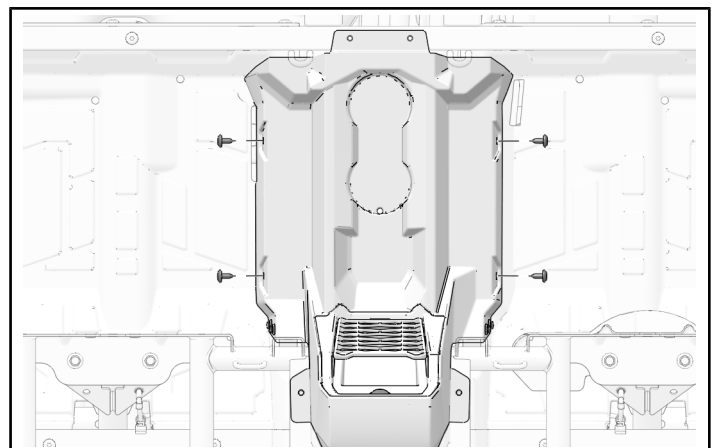
1. Align rear center console with front center console.
2. Install front portion with four retained push-pin rivets.



3. Install sides with four center console side fasteners (shorter). Torque fasteners to specification.

#### TORQUE

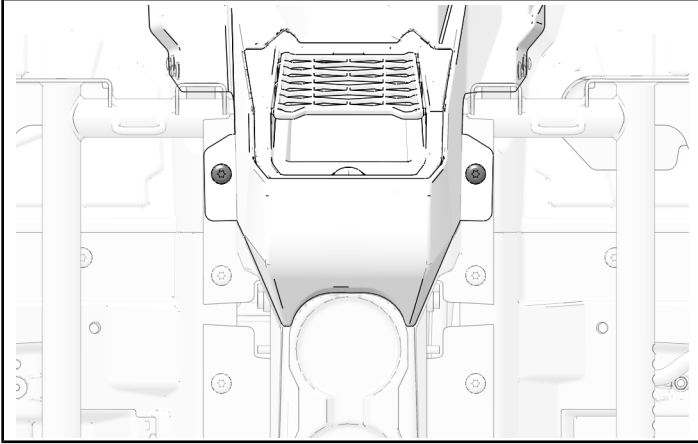
Center Console Fasteners (Shorter):  
**89 in-lbs (10 N·m)**



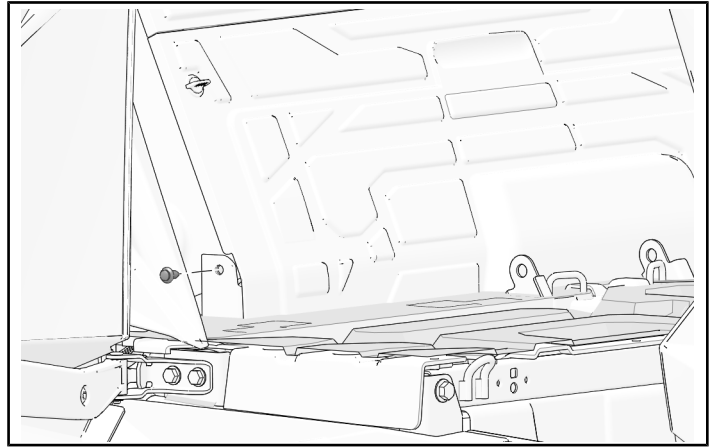
- Attach to front-center console with two center console top fasteners (longer). Torque fasteners to specification.

**TORQUE**

Center Console Fasteners (Longer):  
**89 in-lbs (10 N·m)**



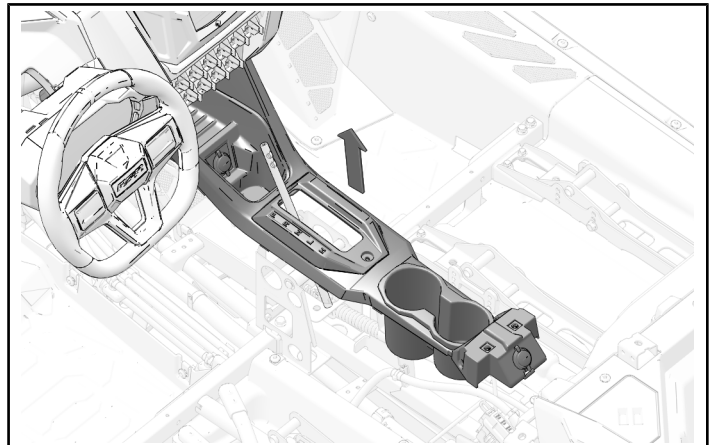
- Reinstall one push-pin rivet in right-rear of seat panel.



**FRONT CENTER CONSOLE REASSEMBLY**

RIGHT PANEL INSTALLATION

- Carefully lift center panel upwards and position side panels for installation.



REAR SEAT PANEL INSTALLATION

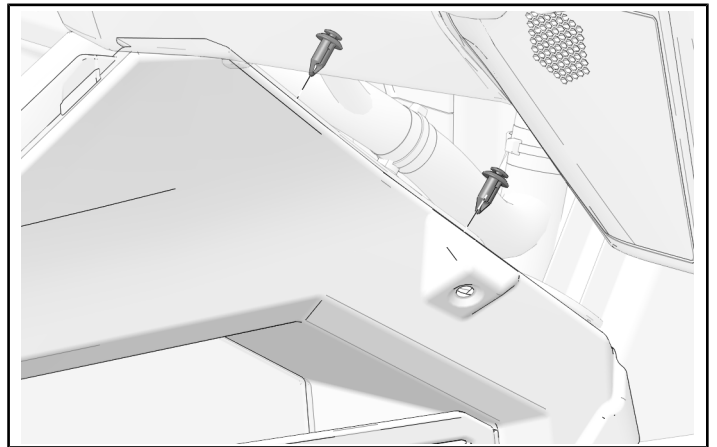
- Position rear seat panel in vehicle and install with eleven seat panel fasteners.

**TORQUE**

Seat Panel Fasteners:  
**89 in-lbs (10 N·m)**



- Install two push-pin rivets .

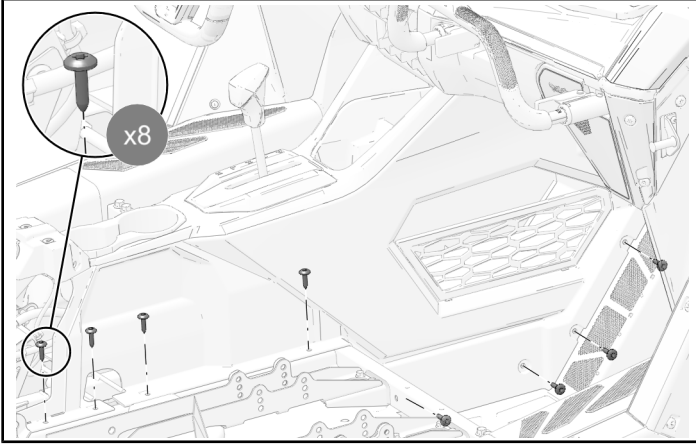




3. Install passenger side panel with eight retained center console fasteners and one push-pin rivet. Torque fasteners to specification.

**TORQUE**

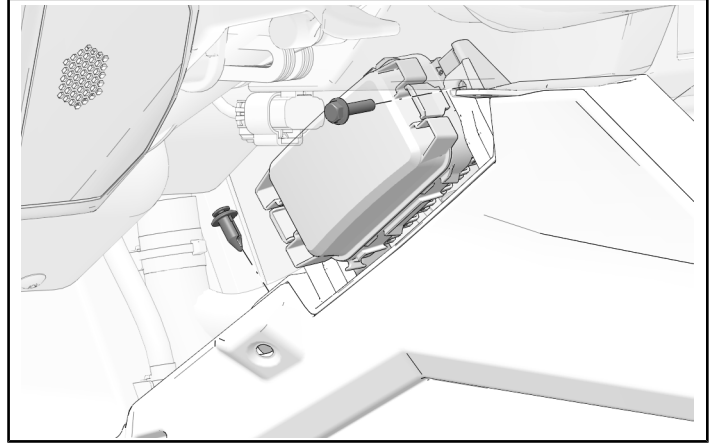
Center Console Fasteners:  
**88 in-lbs (10 N·m)**



2. Install retained push-pin rivet and fuse block fastener. Torque two fuse block fasteners to specification.

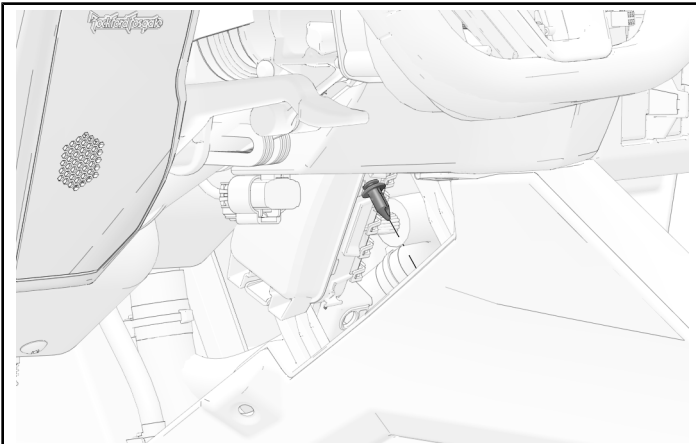
**TORQUE**

Fuse Block Fasteners:  
**31 in-lbs (3.5 N·m)**



**LEFT PANEL INSTALLATION**

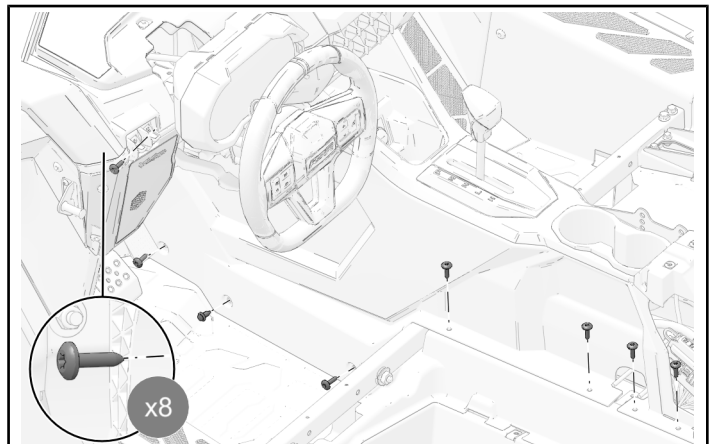
1. Install push-pin rivet.



3. Install driver side panel with eight retained center console fasteners and one push-pin rivet. Torque fasteners to specification.

**TORQUE**

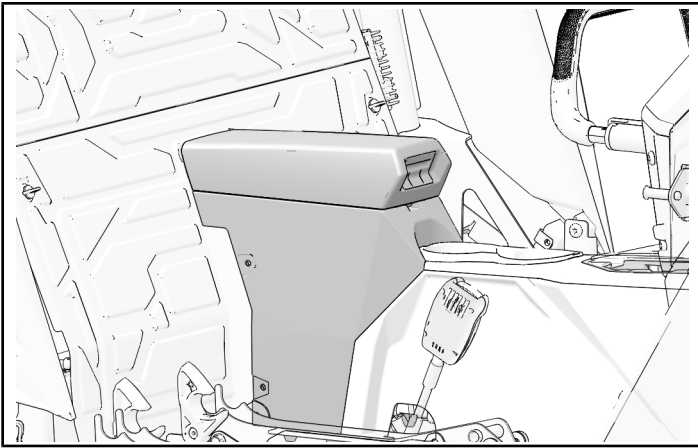
Center Console Fasteners:  
**88 in-lbs (10 N·m)**



## STORAGE COMPARTMENT INSTALLATION

Storage Compartment Installation applies to two-passenger vehicles only.

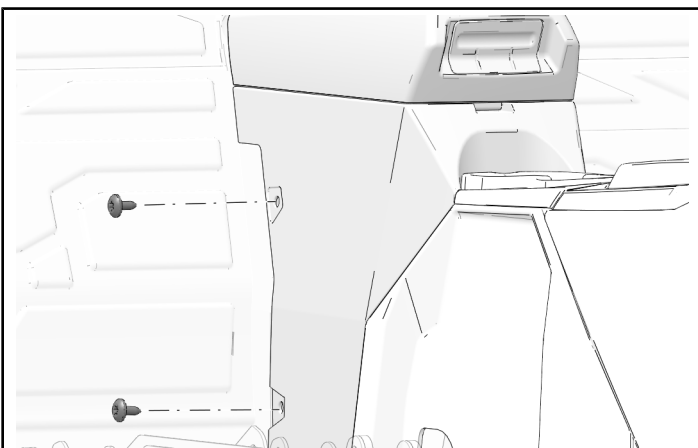
1. Position console storage compartment for installation.



2. Install console storage compartment with two retained center console fasteners from passenger side. Torque fasteners to specification.

### TORQUE

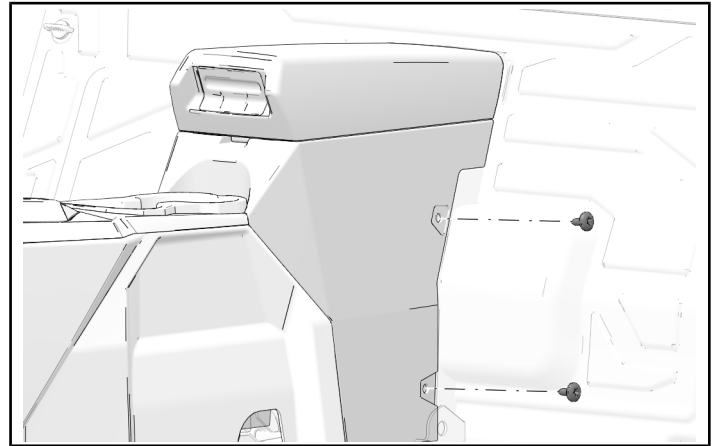
Center Console Fasteners:  
**88 in-lbs (10 N·m)**



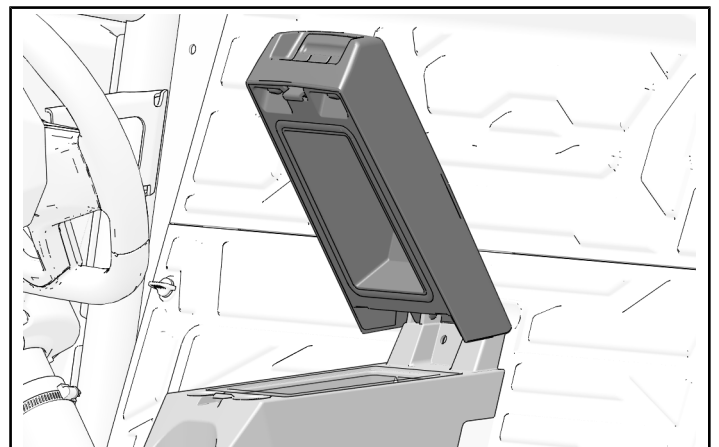
3. Install console storage compartment with two retained center console fasteners from driver side. Torque fasteners to specification.

### TORQUE

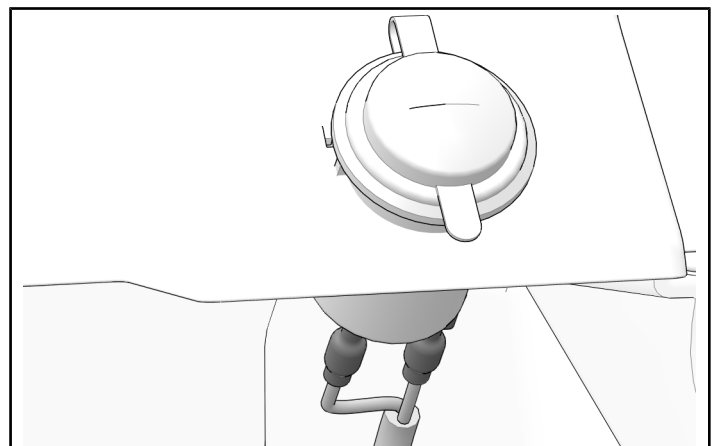
Center Console Fasteners:  
**88 in-lbs (10 N·m)**



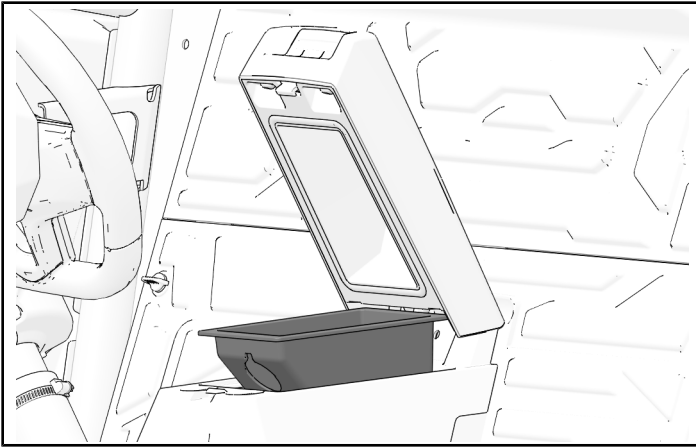
4. Open center console.



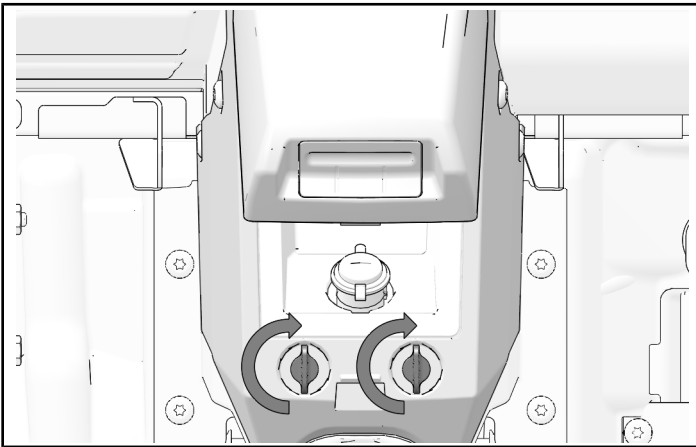
5. Connect 12 volt outlet from within center console cavity.



6. Install storage compartment.



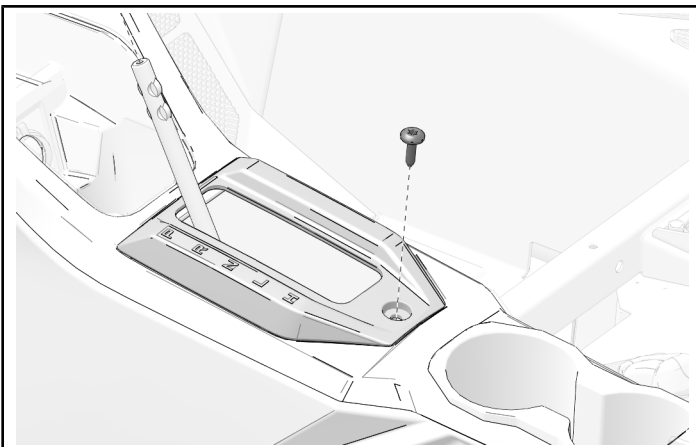
7. Turn each knob 1/4 turn to engage with center console panel.



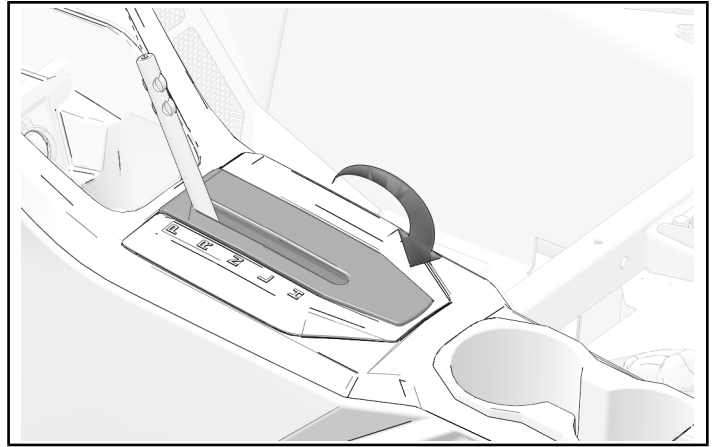
8. Install screw into shifter trim panel. Torque screw to specification.

**TORQUE**

**Center Console Shifter Trim Screw:  
88 in-lbs (10 N·m)**



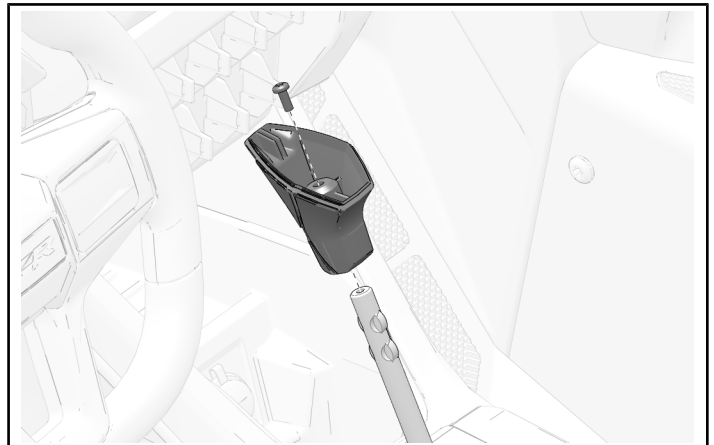
9. Install rubber shifter trim into place.



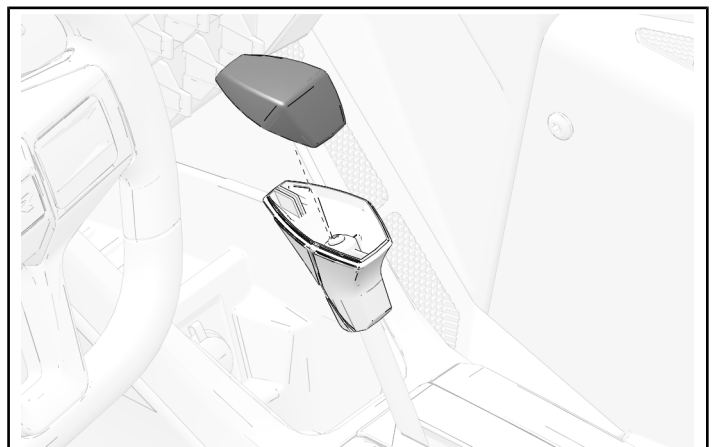
10. Install shifter knob onto shaft and attach with retained screw. Torque screw to specification.

**TORQUE**

**Shift Knob Screw:  
35 in-lbs (4 N·m)**



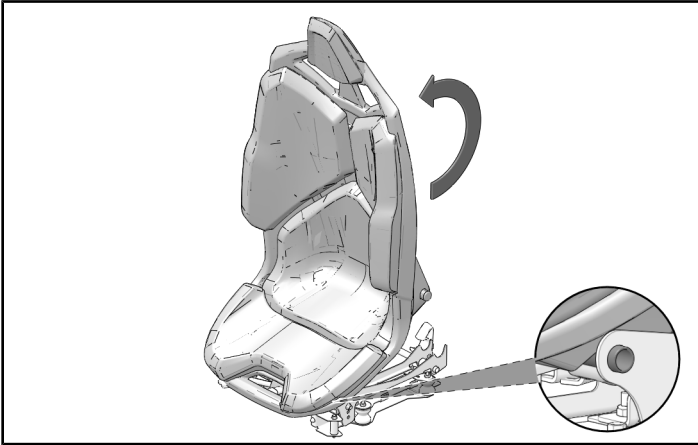
11. Install shifter knob cap.



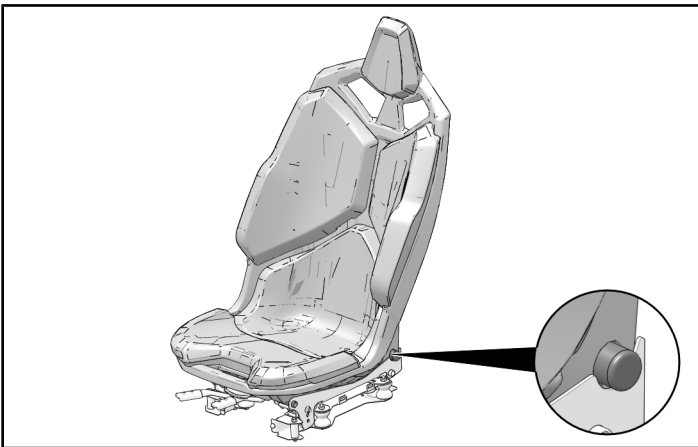
## SEAT INSTALLATION

### FRONT SEAT INSTALLATION

1. Tilt seat towards steering wheel and hook seat base onto front receiver tubes.



2. Lower seat onto rear receiver tubes.



### REAR SEAT INSTALLATION

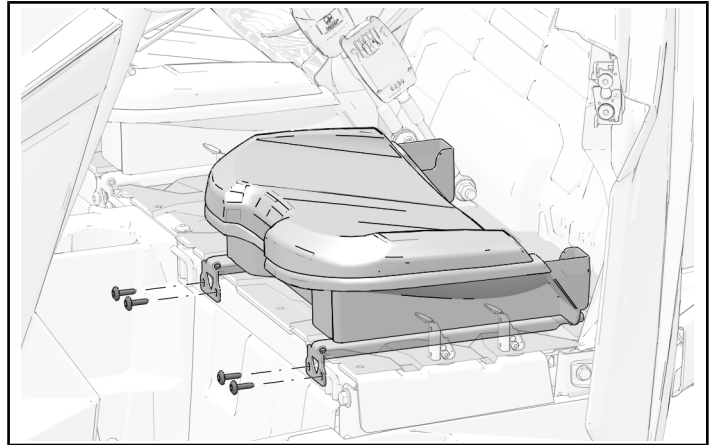
#### NOTICE

Left rear seat shown; right rear similar.

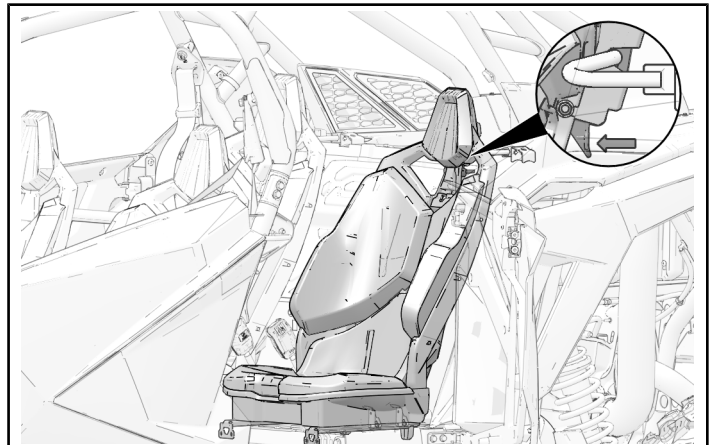
1. Install seat base with four seat bracket fasteners.

#### TORQUE

Seat Bracket Fasteners:  
**71 in-lbs (8 N·m)**



2. Position backrest assembly into seat base and lean back until headrest engages with receiver tube.

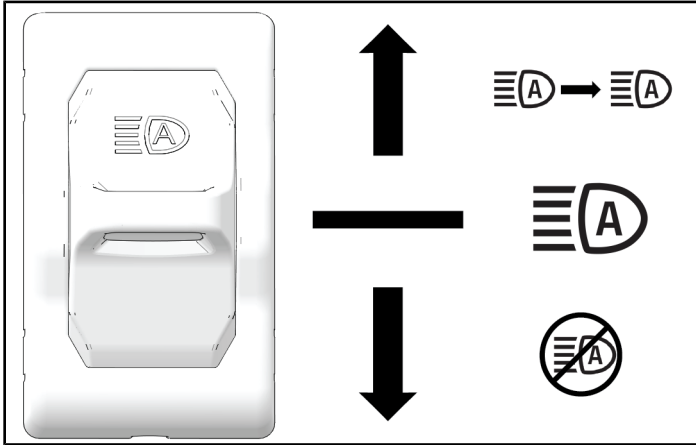


# OPERATION

## BASIC OPERATION

The chase light features eleven different chase light modes to choose from.

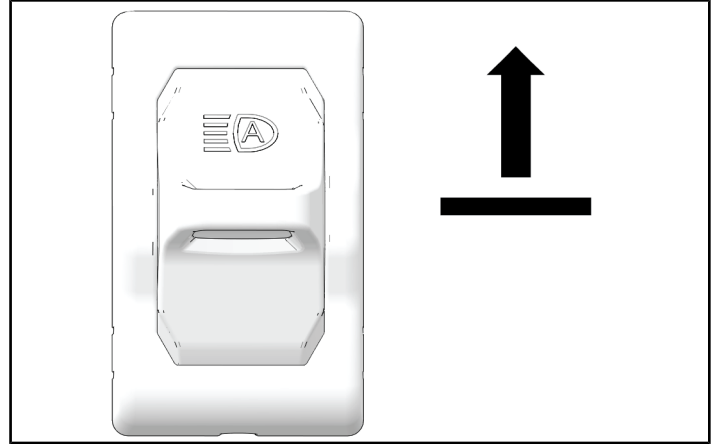
CHASE LIGHT SWITCH POSITIONING	
Up	Mode Select (hold UP momentarily to change mode)
Middle	Power On
Down	Power Off



## BRAKE MODES

The chase light features four different brake light modes to choose from.

1. Turn vehicle on.
2. Press and hold brake pedal while simultaneously pressing switch upwards to cycle through Brake Modes.



## INSTRUCTION FEEDBACK FORM

A feedback form has been created for the installer to provide any comments, questions or concerns about the installation instructions. The form is viewable on mobile devices by scanning the QR code or by clicking [HERE](#) if viewing on a PC.

