

POWER DOOR KIT



P/N 2889075; 2889076

MISSING OR DAMAGED PARTS

Before beginning assembly, inspect the kit and its component(s) to be sure all parts and tools are accounted for and not damaged. If missing parts or parts are damaged, please contact your Selling Dealer for assistance.

If your accessory was purchased online, please contact POLARIS® customer service at **1-800-POLARIS** (US & Canada only).

APPLICATION

Verify accessory fitment at www.polaris.com.

REQUIRED SOLD SEPARATELY

Only parts for installation of the Power Door Kit are included. For complete installation, the following additional kit is required (sold separately):

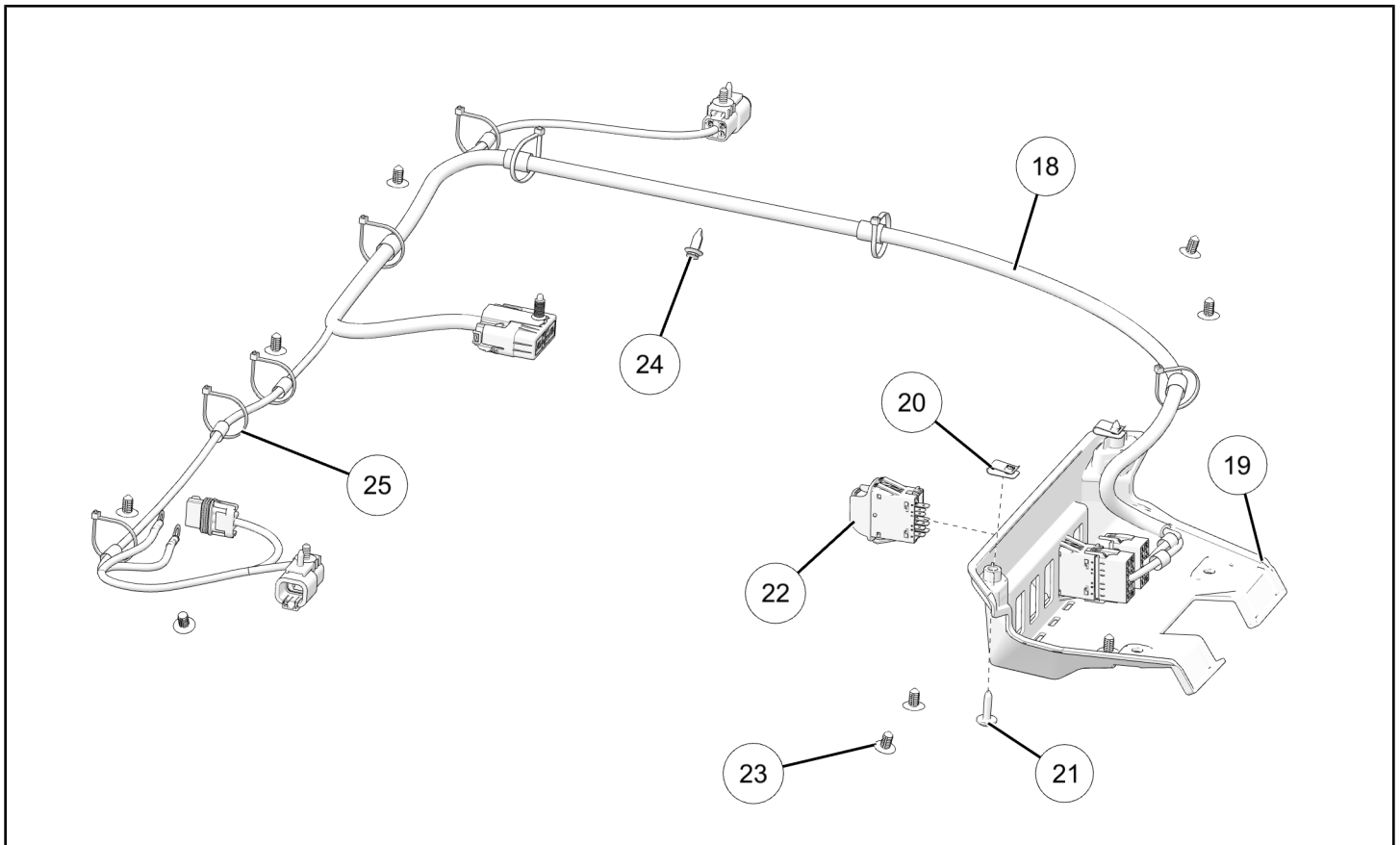
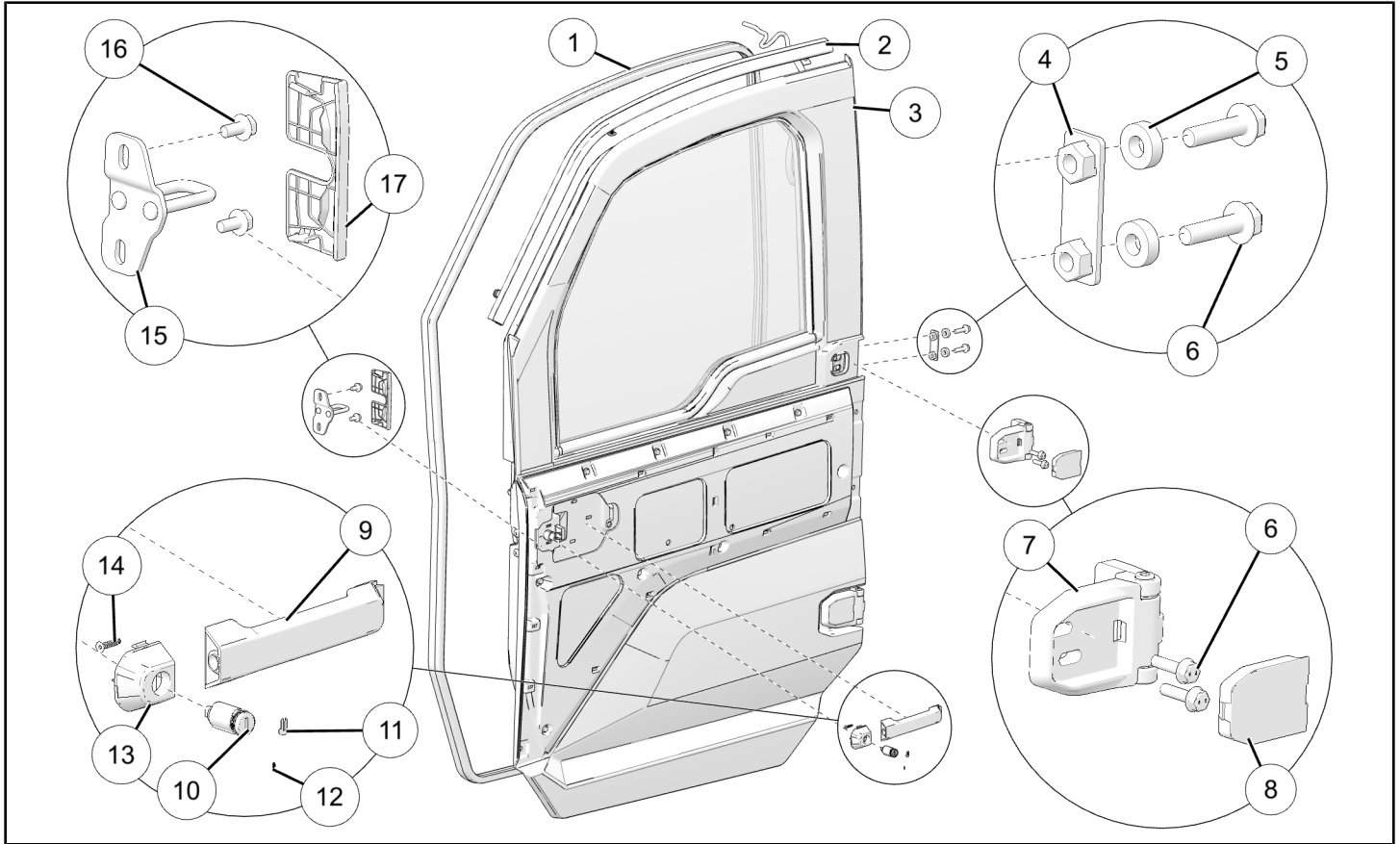
- *Rear Accent Panels Kit*, P/N 2890689
- *Front Accent Panels Kit*, P/N 2890688

Prior installation of one of the following additional kits are also required (sold separately):

- *Crew Pulse Roof Harness Kit* , P/N 2890441
- *3-Passenger Pulse Roof Harness Kit*, P/N 2890262

KIT CONTENTS

FRONT POWER DOOR KIT P/N 2889075

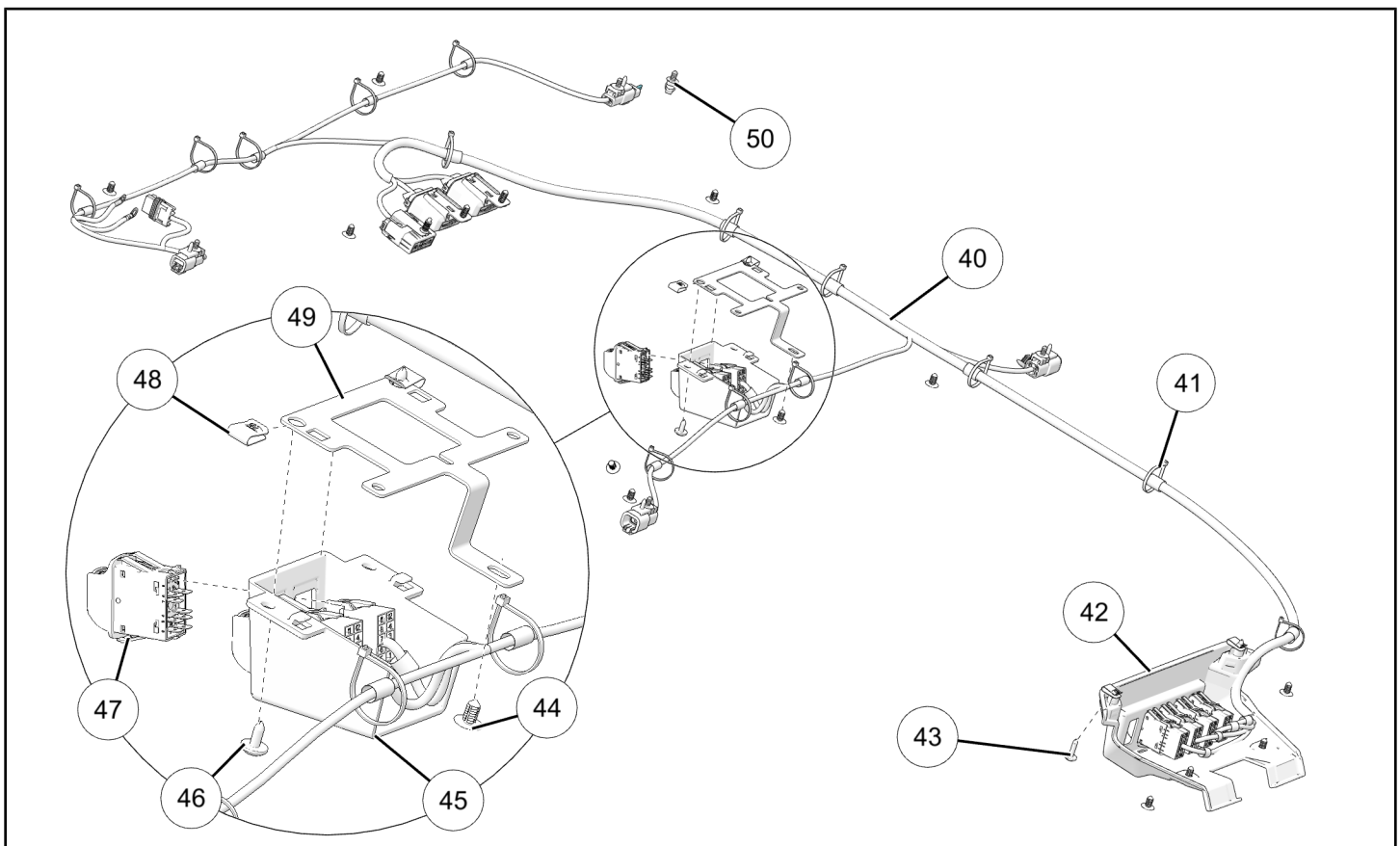
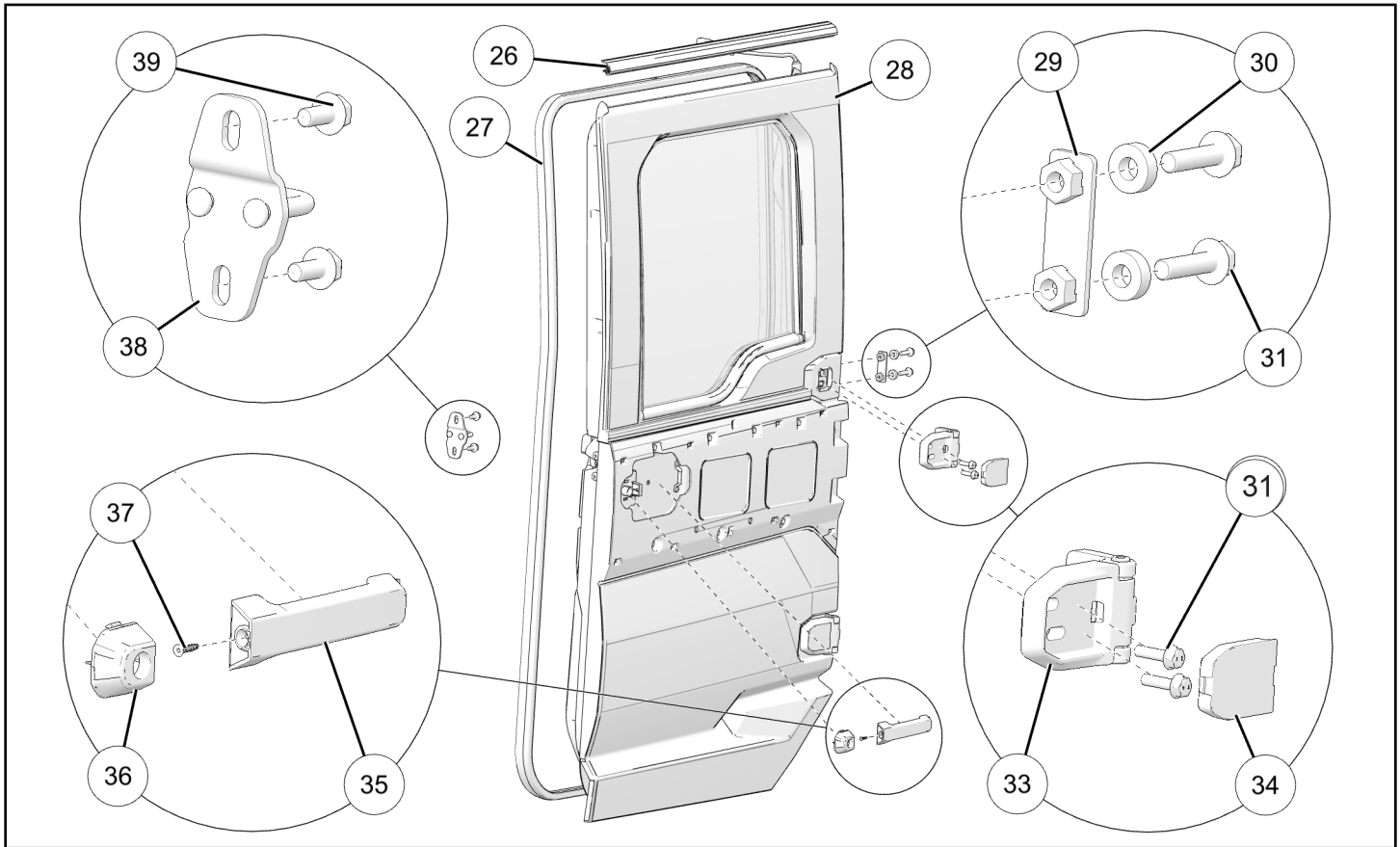


NOTICE

XXX = Polaris® color code (For example: 266 = Black)

REF	QTY	PART DESCRIPTION	P/N AVAILABLE SEPARATELY
1	2	Seal, Door, Perimeter, Front	5526532
2	2	Seal, Door, Wiper, Front	5526528
3	1 1	Left Front Power Door Right Front Power Door (not shown)	2638498 2638499
4	4	Nutplate, Hinge	1028620-458
5	4	Bushing, Door Hinge	5145036
6	16	Screw, M8 x 1.25 x 30 mm	7521332-30
7	2 2	Hinge, Front Left Door Hinge, Front Right Door (not shown)	n/a
8	4	Hinge Cover	n/a
9	2	Exterior Handle	5459253
10	2	Exterior Lock Assembly	5458654
11	4	Lock Plate	2639052
12	4	Spring	2639053
13	4	Lock Barrel	4081755
14	2	Screw, Door Handle	7528227
15	1	Striker, Front	2638490
16	6	Screw, M8 x 1.25 x 16 mm	7521332-16
17	1 1	Left Striker Cover Right Striker Cover (not shown)	5458944-xxx 5458945-xxx
18	1	Power Door Harness, 3-Passenger	7547674
19	1	Switch Panel, Front	5465526
20	2	U-Nut, M6 x 1.0 mm	7547674
21	2	Screw, Torx® Truss Head M6 x 1.0 x 25 mm	7519650
22	2	Power Window Switch	4081188-01
23	13	Fir Tree Clip	7670088
24	2	Push-Pin Rivet	7661855
25	8	Cable Tie, 12 x 50 mm	7080138
n/a	1	Ignition (<i>Not Shown</i>)	4081755

BACK POWER DOOR KIT P/N 2889076



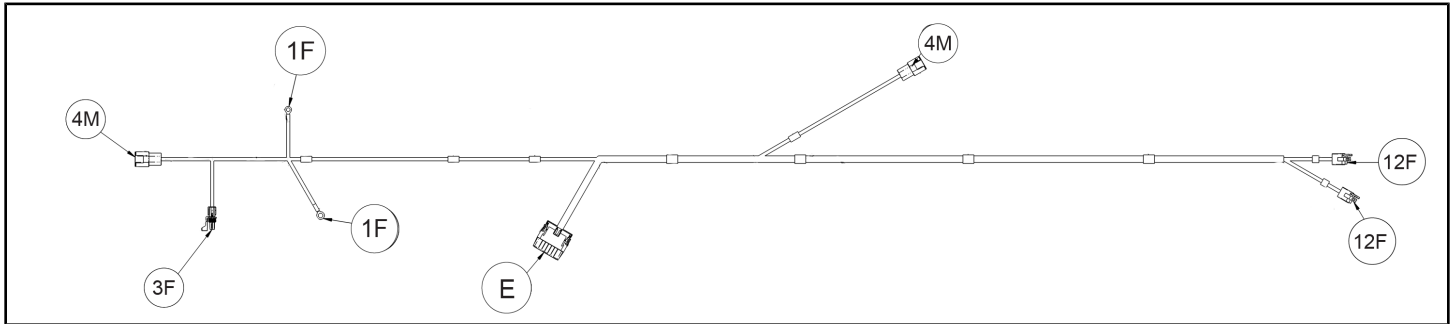
NOTICE

XXX = Polaris® color code (For example: 266 = Black)

REF	QTY	PART DESCRIPTION	P/N AVAILABLE SEPARATELY
26	2	Seal, Door, Wiper, Crew	5526529
27	2	Seal, Door, Perimeter, Crew	5526533
28	1 1	Rear Left Power Door Rear Right Power Door	2638500 2638501
29	4	Nutplate Hinge	1028620-458
30	4	Bushing, Door Hinge	5145036
31	16	Screw, Hex Flange, M8 x 1.25 x 30 mm	7521332-30
33	2 2	Hinge, Front Left Door Hinge, Front Right Door (not shown)	n/a
34	4	Hinge Cover	n/a
35	2	Exterior Handle	5459253
36	2	Exterior Lock Cover	5458654
37	2	Screw, Door Handle	7528227
38	2	Striker, Rear	2638783
39	6	Screw, M8 x 1.25 x 16 mm	7521332-16
40	1	Wiring Harness, Crew	n/a
41	14	Cable Tie, 2 x 50 mm	5465527
42	1	Switch Panel, Front	5465526
43	2	Screw, Torx® Truss Head, M6 x 1.0 x 25 mm	7519650
44	15	Fir Tree Clip	7670088
45	1	Switch Panel, Rear	5465528
46	2	Screw, Torx® Truss Head, M6 x 1 x 16 mm	7518936
47	4	Power Window Switch	4081188-01
48	4	U-Nut, M6 x 1.0 mm	7547674
49	1	Bracket, Rear Switch	5274646-329
50	2	Push-Pin Rivet	7661855

HARNESS DETAIL

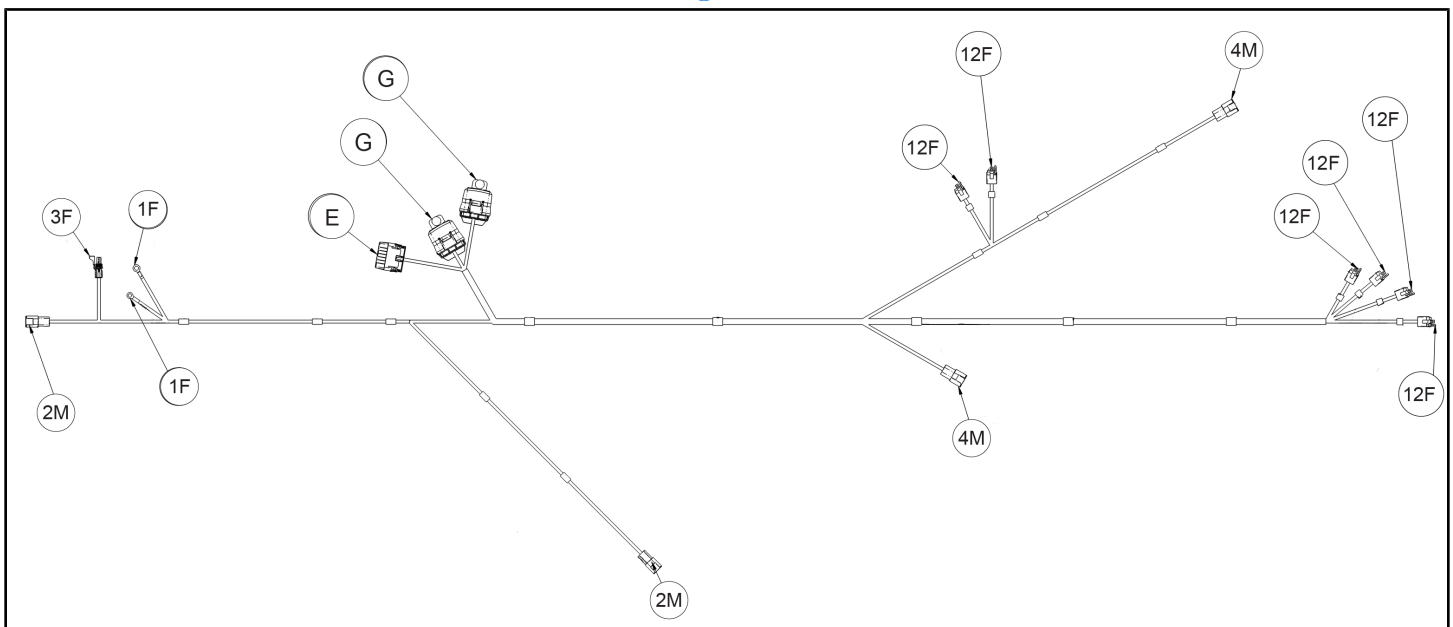
FRONT POWER DOOR HARNESS 2417291 16



REF	PART DESCRIPTION	CONNECTS TO
4M	Connector, E-seal, Gray	Front Right Door
3F	Connector, Sealed, Black	Pulse
1F	Terminal Ring M6 mm, Black	Battery, Positive
1F	Terminal Ring M8 mm, Red	Battery, Negative
E	Fuse Block	n/a
4M	Connector, Sealed, Gray	Front Left Door
12F	Connector, Unsealed, Black	Front Left Window
12F	Connector, Unsealed, Black	Front Right Window

Example: 16F = 16 pin, Female / 16M = 16 pin, Male (Male terminal fits inside female terminal)

REAR POWER DOOR HARNESS 2417292 29



REF	PART DESCRIPTION	CONNECTS TO
2M	Connector, Sealed, Gray	Rear Right Window
3F	Connector, Sealed, Black	Pulse
1F	Terminal Ring M6 mm, Black	Battery, Positive
1F	Terminal Ring M8 mm, Red	Battery, Negative
2M	Connector, Sealed	Left Rear Door
E	Fuse Block	n/a
G	Fuse Relay	n/a
G	Fuse Relay	n/a
4M	Connector, Sealed, Gray	Left Front Door
12F	Connector, Unsealed, Black	Rear Switch Left Rear Window
12F	Connector, Unsealed, Black	Rear Switch Right Rear Window
4M	Connector, Sealed, Gray	Right Front Door
12F	Connector, Unsealed, Black	Front Switch Front Left Window
12F	Connector, Unsealed, Black	Front Switch Front Right Window
12F	Connector, Unsealed, Black	Front Switch Rear Left Window
12F	Connector, Unsealed, Black	Front Switch Rear Right Window
Example: 16F = 16 pin, Female / 16M = 16 pin, Male (Male terminal fits inside female terminal)		

TOOLS REQUIRED

- Safety Glasses
- Pliers, Push Pin Rivet
- Screwdriver Set, Torx®
- Socket Set, Metric
- Torque Wrench
- Wrench Set, Metric

IMPORTANT

Your Power Door Kit is exclusively designed for your vehicle. Please read the installation instructions thoroughly before beginning. Installation is easier if the vehicle is clean and free of debris. For your safety, and to ensure a satisfactory installation, perform all installation steps correctly in the sequence shown.

VEHICLE PREPARATION

GENERAL

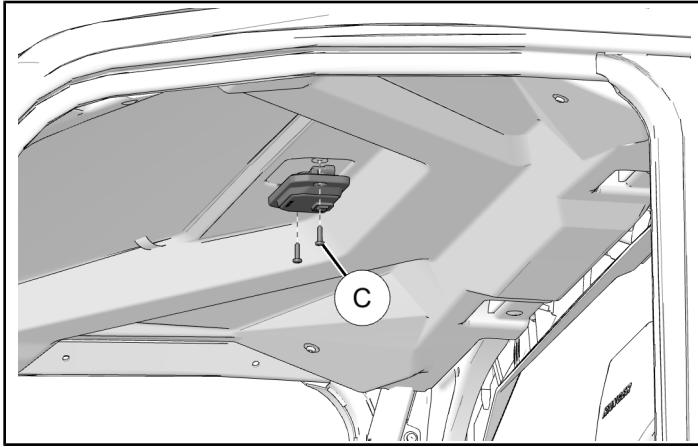
1. Park vehicle on a flat surface.
2. Shift vehicle into PARK.
3. Turn key to OFF position and remove key.

3- PASSENGER INSTALLATION

VEHICLE DISASSEMBLY

DOME LIGHT REMOVAL

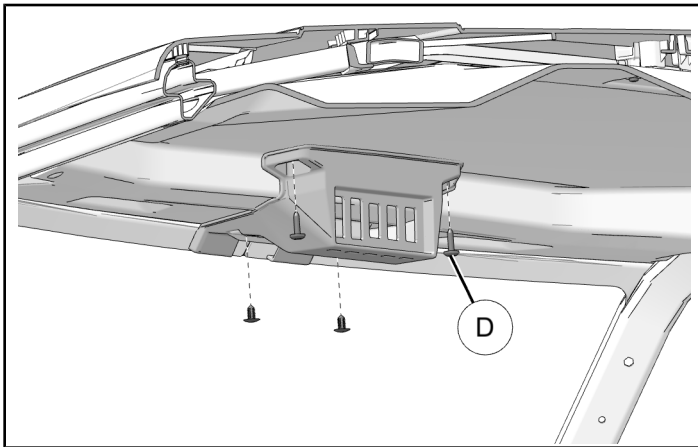
1. Remove and keep two screws ③ from dome light. Remove dome light and disconnect from wiring harness.



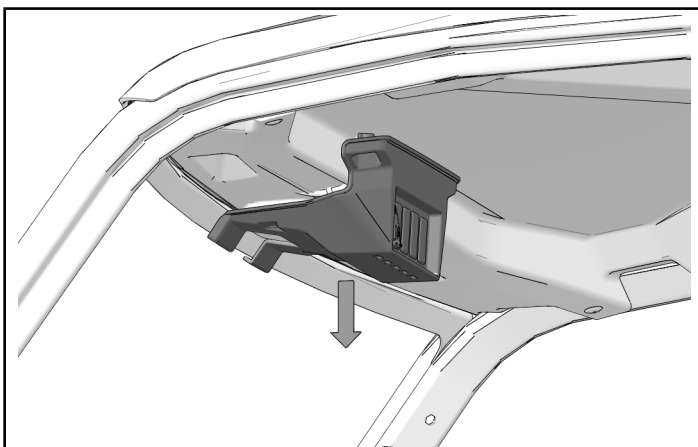
SWITCH PANEL REMOVAL

Remove if equipped.

1. Remove and keep two screws ④ and two fir tree clips.

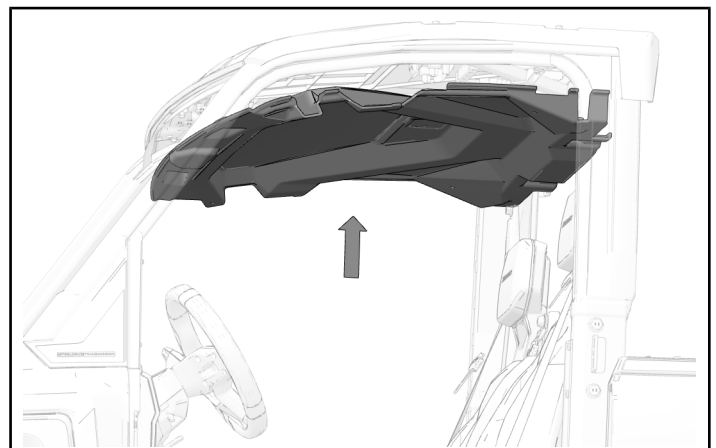
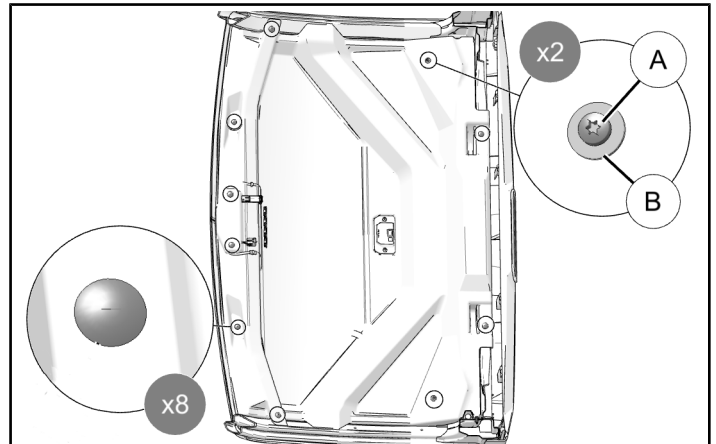


2. Disconnect wire harnesses from back of switches. Remove switch panel.



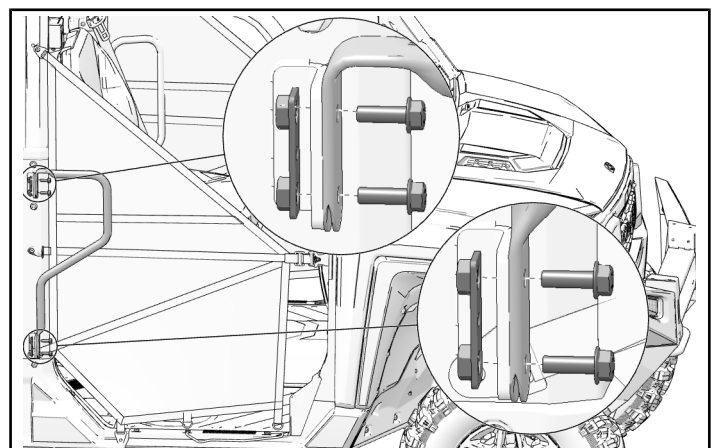
ROOF LINER REMOVAL

1. Remove and keep screws ① and washers ② and eight fir tree clips ③ from rear roof liner. Remove roof liner from vehicle.



PASSENGER BOLSTER BAR REMOVAL

1. Remove four bolts and two weld nut plates.

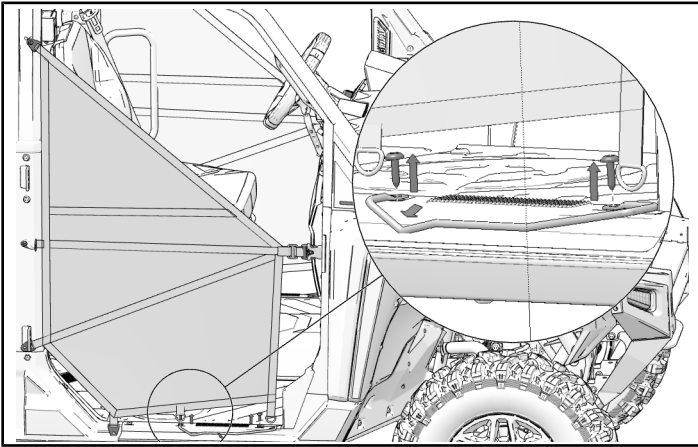


DOOR NET REMOVAL

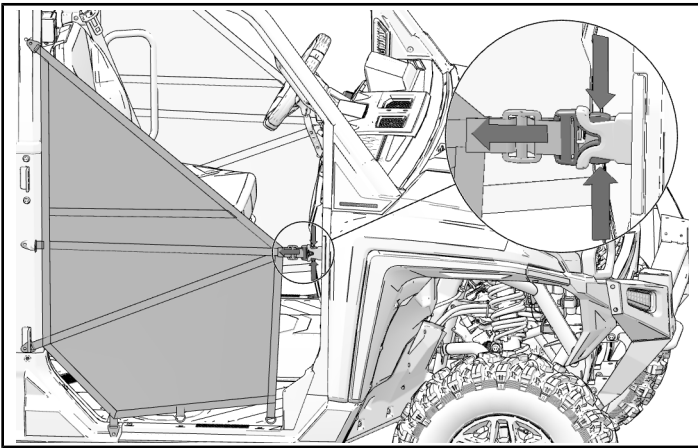
NOTICE

Left side shown; right side similar.

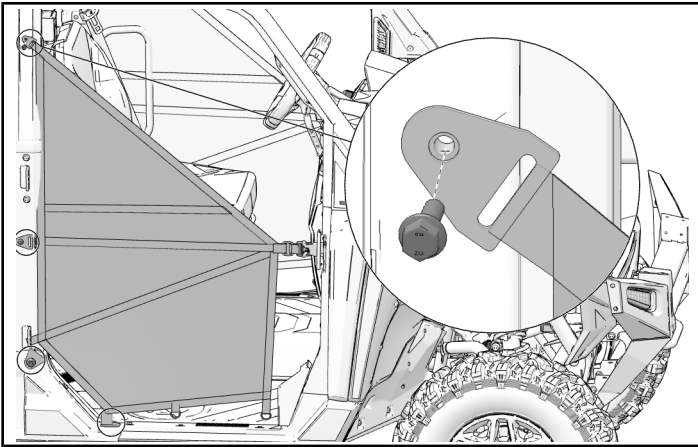
1. Remove two screws and door net track.



2. Open upper clip.

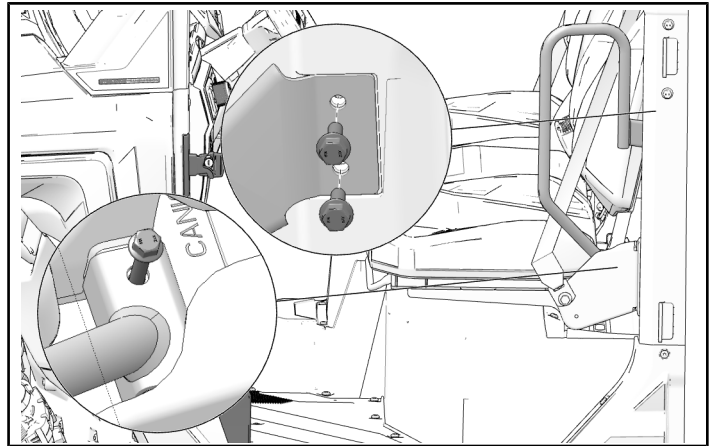


3. Remove four screws.



DRIVER BOLSTER BAR REMOVAL

1. Remove four bolts from bolster bar at seat back and base.



ACCESSORY INSTALLATION

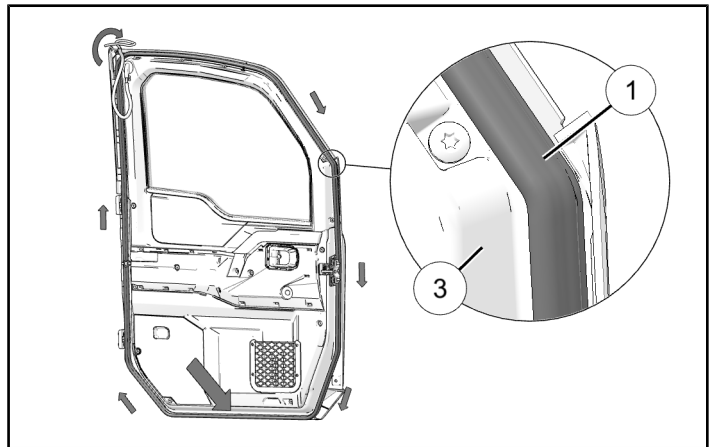
FRONT DOOR INSTALLATION

NOTICE

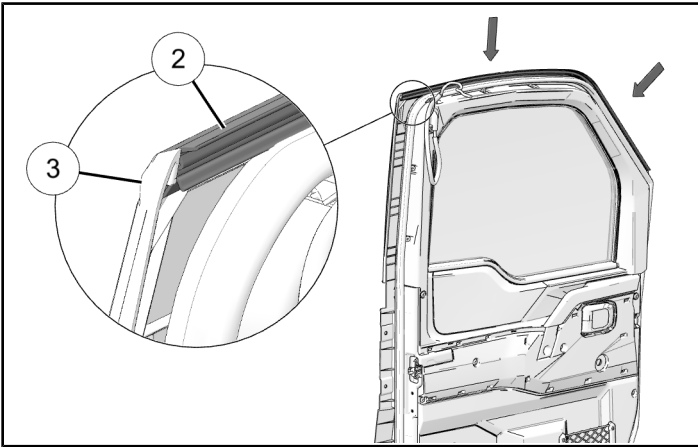
Left side shown; right side similar.

FRONT DOOR SEAL INSTALLATION

1. Install door seal ① on the edge of door ③ starting at center bottom edge.



2. Install wiper door seal ② over the top edge of door ③.



FRONT ACCENT PANEL INSTALLATION

1. Install front accent panels kit P/N 2890688 according to kit instructions.

HANDLE INSTALLATION

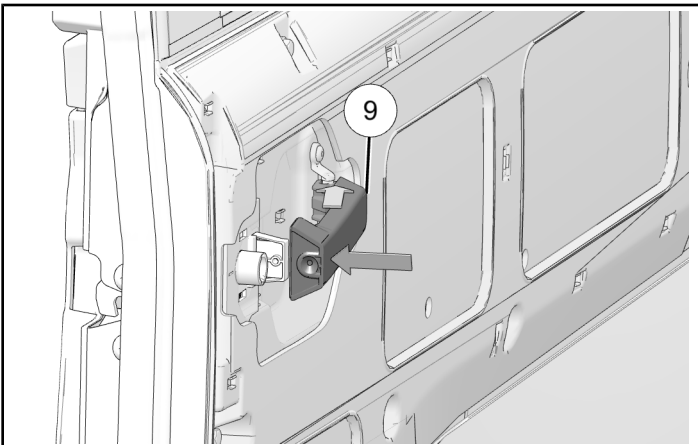
NOTICE

Front left door shown, others similar.

NOTICE

Installed trim panel hidden for clarity.

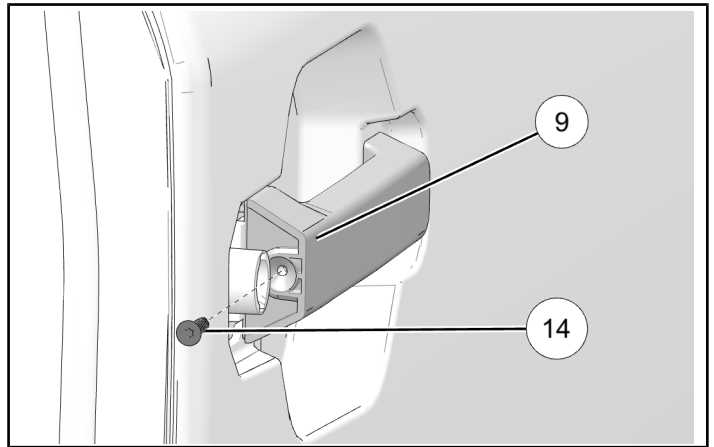
1. Install door handle ⑨ into door and pivot into square hole in door trim panel and inserting under door frame bracket.



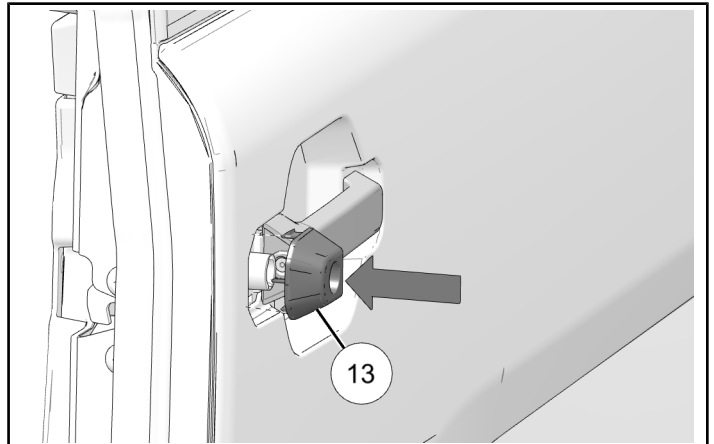
2. Install door handle screw ⑭ into door handle ⑨. Torque to specification.

TORQUE

Screw ⑭:
2.5 in-lbs (22 N·m)



3. Install lock trim ⑬ by pressing snap-on posts into slots in door.



DOOR HINGE INSTALLATION

NOTICE

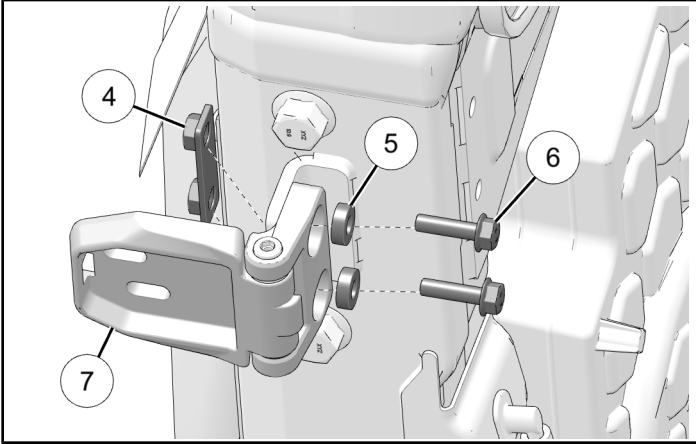
Left side shown; right side similar.

1. Raise vehicle bed.

2. Install upper door hinge ⑦ on upper chassis frame mounts using nut plate ④ two screws ⑥ and bushings ⑤. Torque to specification.

TORQUE

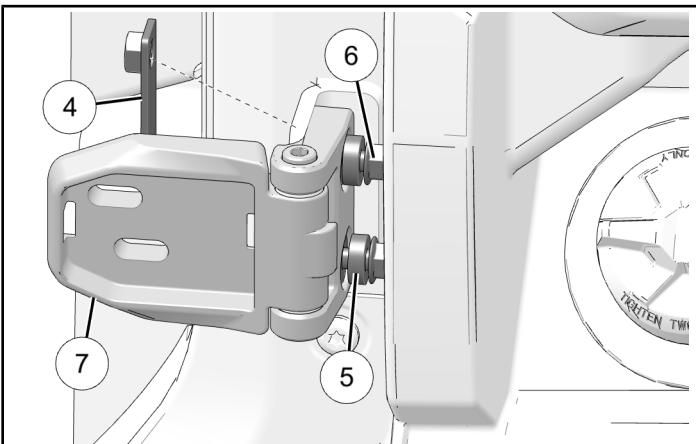
Screws ⑥:
14 ft-lbs (19 N·m)



3. Install lower door hinge ⑦ on upper chassis frame mounts using nut plate ④ two screws ⑥ and bushings ⑤. Torque to specification.

TORQUE

Screws ⑥:
14 ft-lbs (19 N·m)



FRONT DOOR STRIKER INSTALLATION

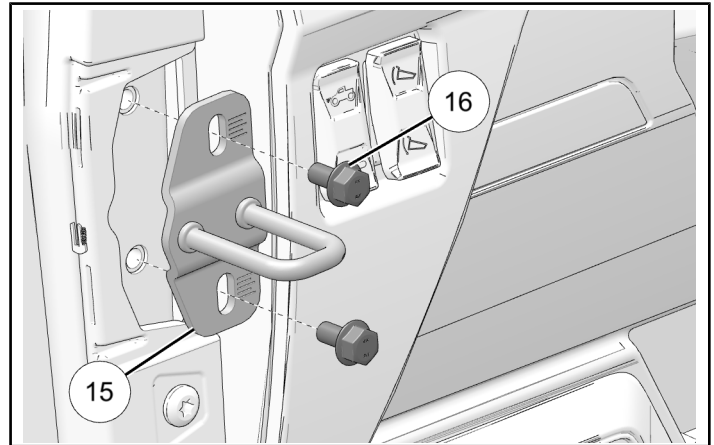
NOTICE

Left side shown; right side similar.

1. Loosely install striker ⑮ to chassis using two screws ⑯.

NOTICE

Do not torque fasteners at this time.

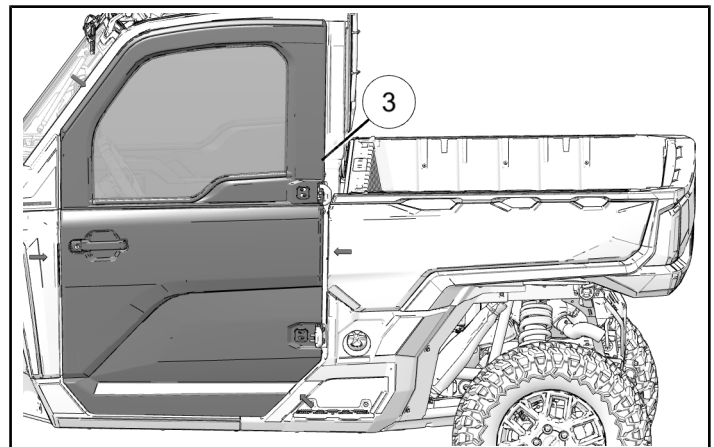


DOOR INSTALLATION

TIP

Two people recommended for door installation.

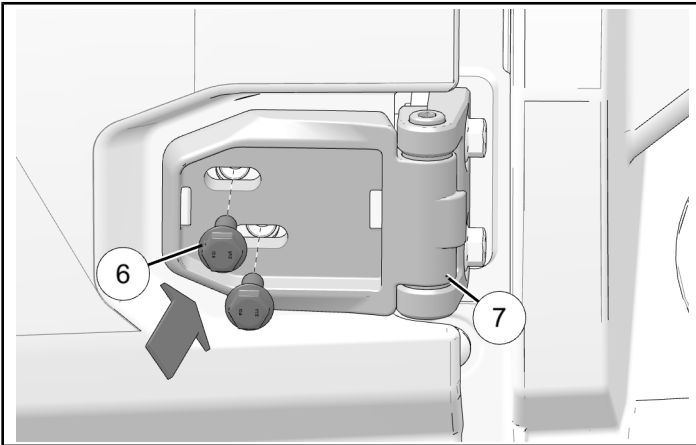
1. Push door ③ closed and center it in the chassis opening.



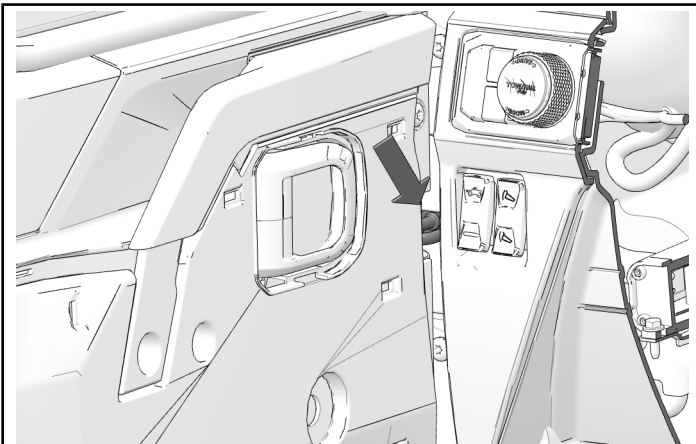
- Loosely install two screws ⑥ into front side of upper and lower hinges ⑦.

NOTICE

Do not torque fasteners at this time.



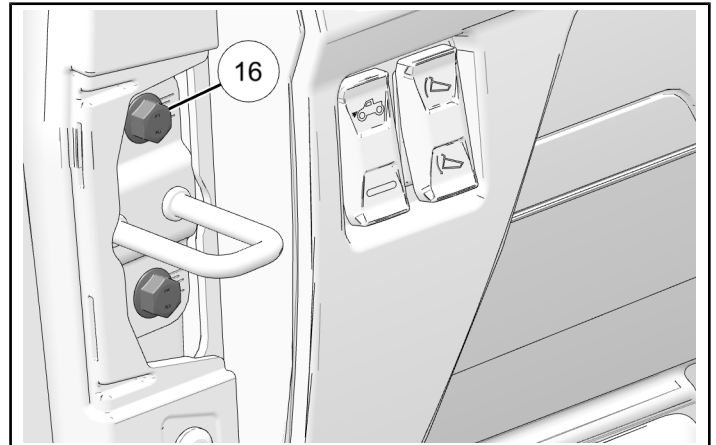
- Open door and install door stop screw onto chassis.
- Hold door in the closed position to make sure the door and striker latch completely. Remove and adjust striker if needed.



- Torque screws ⑩ in adjusted striker.

TORQUE

Screws ⑩:
14 ft-lbs (19 N·m)



- Torque screws ⑥ to specification.

TORQUE

Hinge Screws ⑥:
14 ft-lbs (19 N·m)

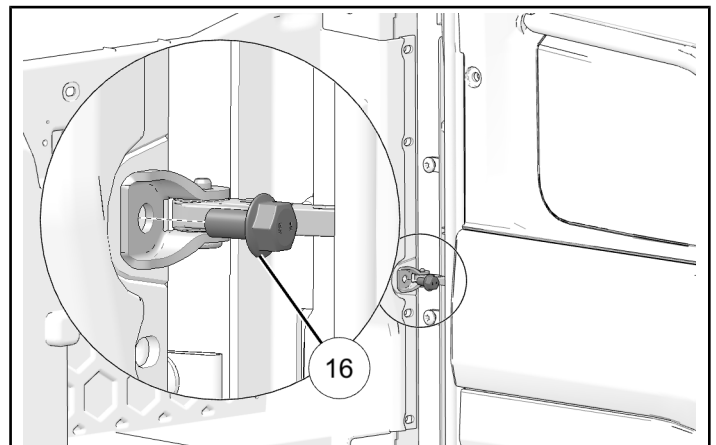
NOTICE

Parts of vehicle hidden for clarity.

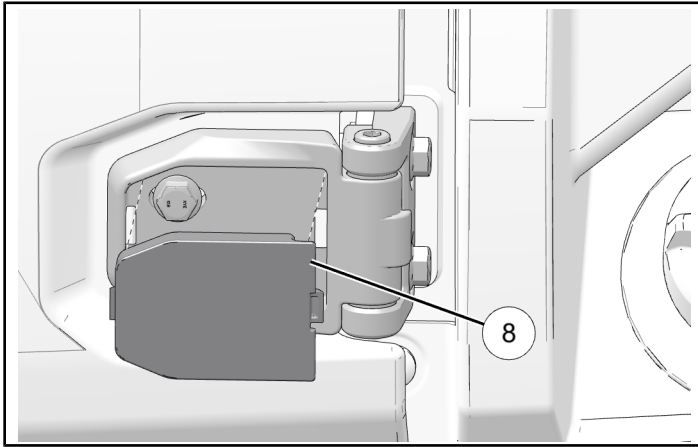
- Install door stop with screw ⑩. Torque to specification.

TORQUE

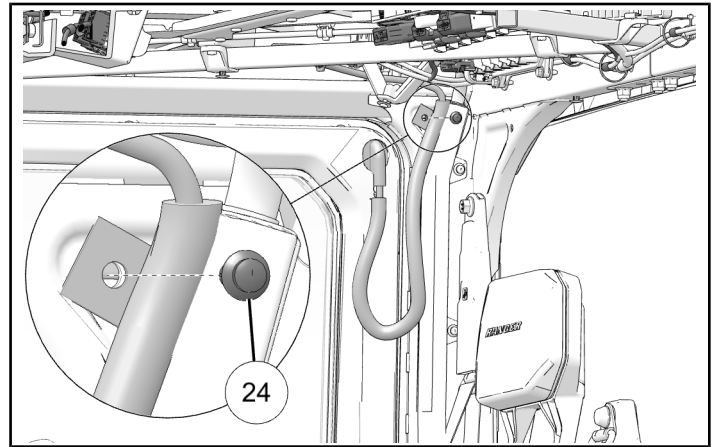
Screws ⑩:
14 ft-lbs (19 N·m)



8. Install door hinge cover ⑧ by pressing snap-on posts into slots in hinge.



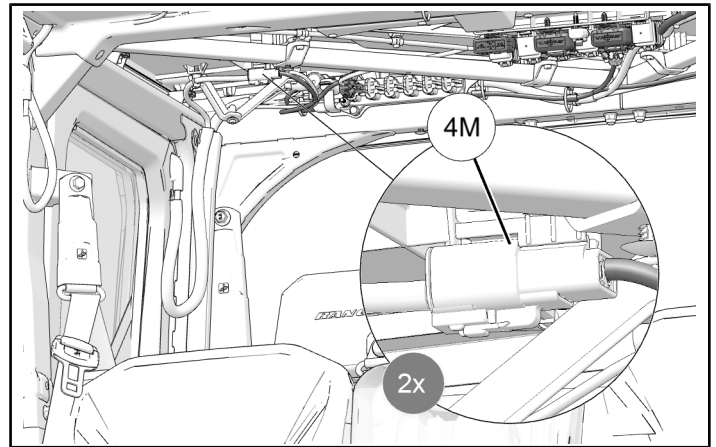
2. Install push-pin dart ②④ through bracket on door cord.



9. Install striker cover ①⑦ by pressing snap-on posts into slots in door.



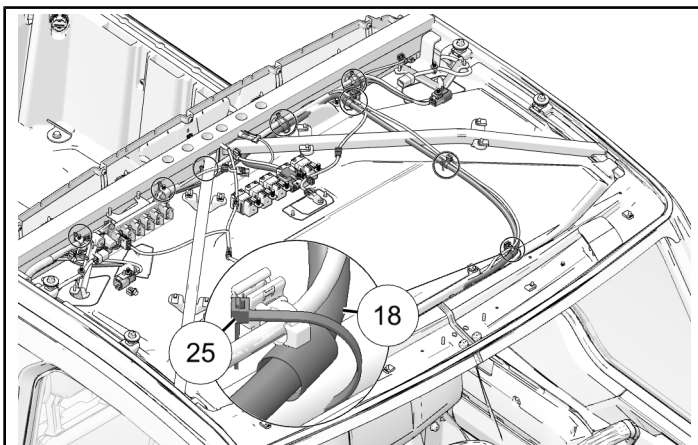
3. Remove cap from connector 4M, plug into window crossover door connector. Repeat for each door.



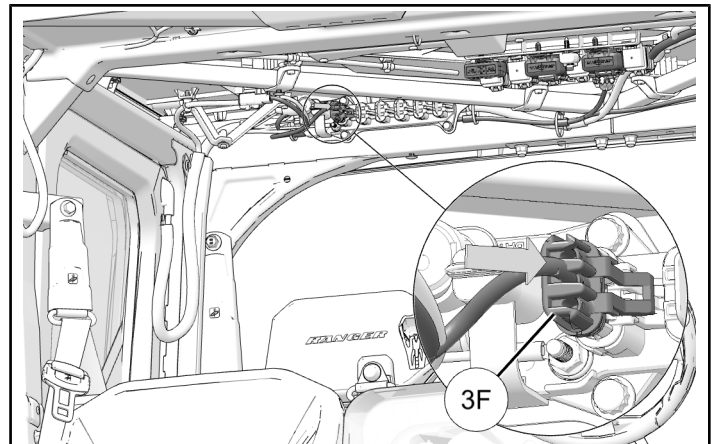
10. Lower vehicle bed.

WIRE HARNESS INSTALLATION

1. Attach harness ①⑧ to pulse bar harness using eight cable ties ②⑤.



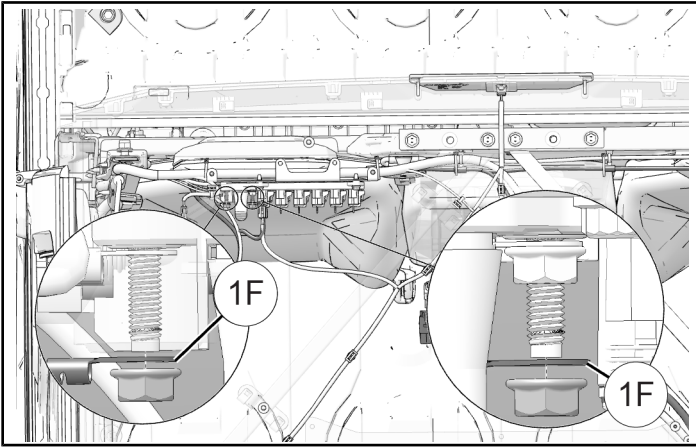
4. Connect 3F to any open terminal on pulse bar.



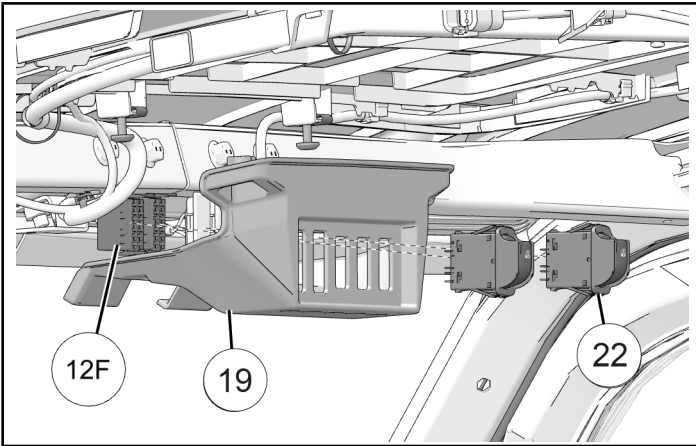
NOTICE

Left side shown; right side similar.

5. Connect negative terminal **1F** and positive terminal **1F** to pulse block.



6. Plug two switches **22** into wiring harness location **12F** through openings in switch panel **19**.

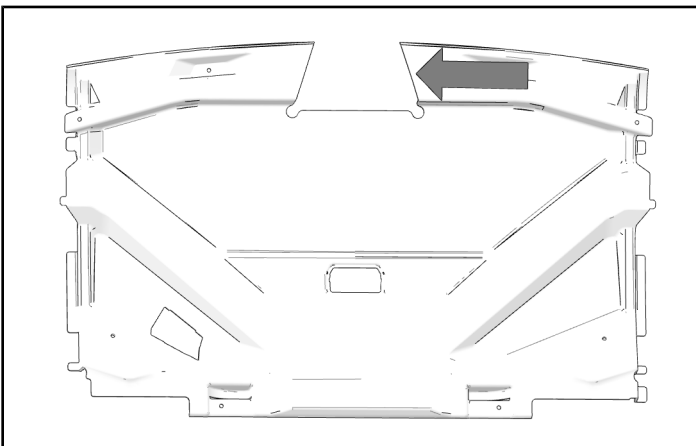


PANEL MODIFICATION

NOTICE

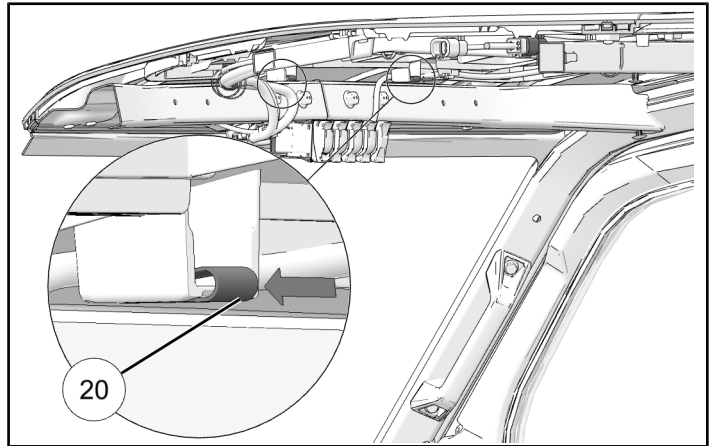
Skip following steps if switch panel is already installed.

1. On liner trim section indicated by score lines.



SWITCH PANEL INSTALLATION

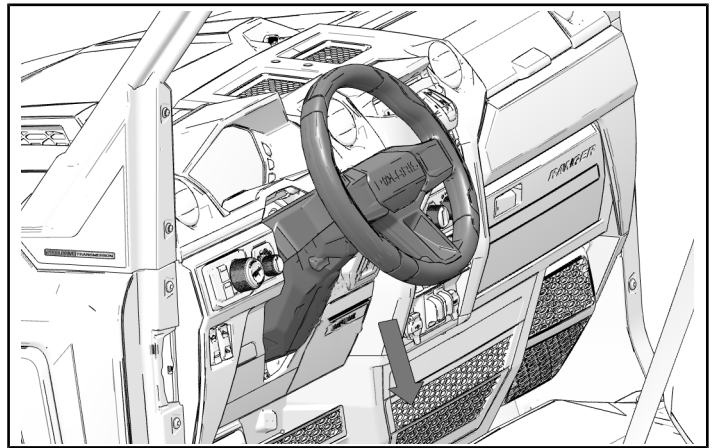
1. Put two retainer clips **20** on ceiling mounts.



IGNITION AND LOCK INSTALLATION

IGNITION SWITCH

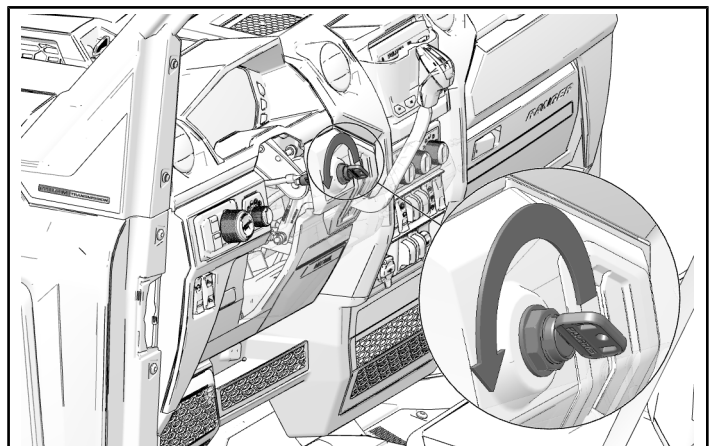
1. Move steering wheel into the lowest position.



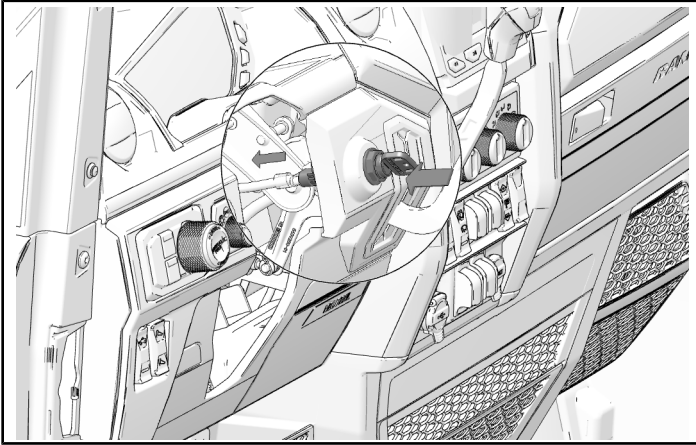
NOTICE

Parts of vehicle hidden for clarity.

2. Turn ignition locking ring to loosen.



3. Access the back of the ignition through opening behind steering wheel to remove and unplug.



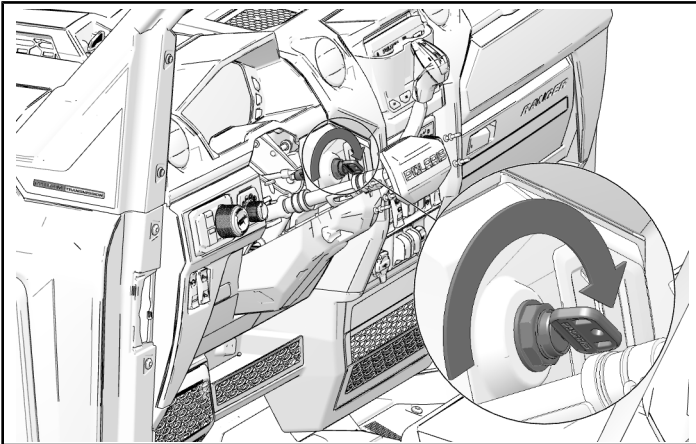
NOTICE

Ignition will only fit in one location. Make sure tab is pointed up.

4. Plug new ignition to the wiring harness, and install through opening behind steering wheel.



5. Install ignition locking ring by turning until fully seated.



6. Move steering wheel to desired height.

DOOR LOCK

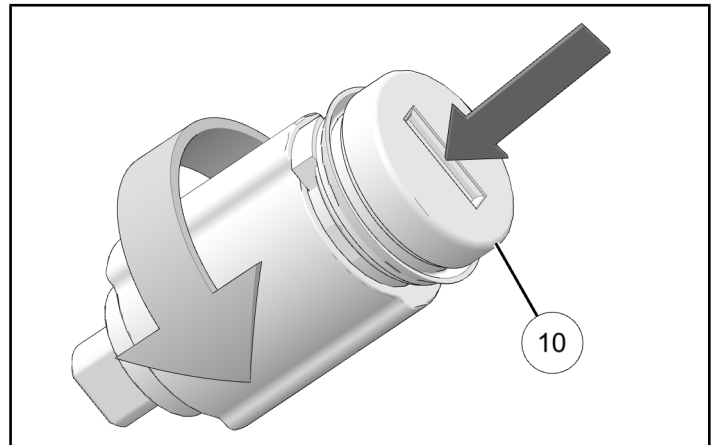
NOTICE

Left door shown; others similar.

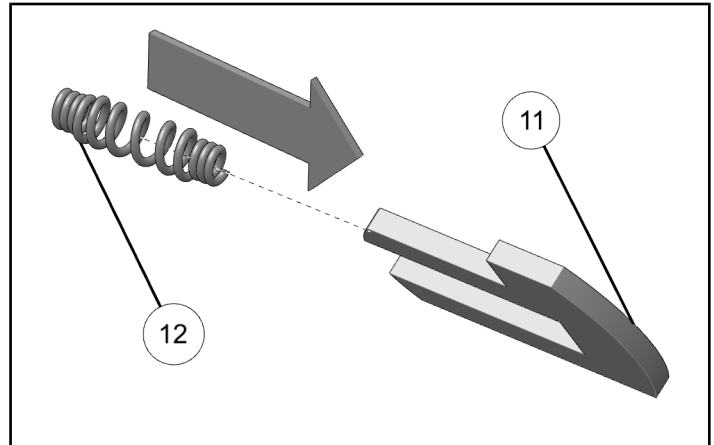
1. Put key into lock assembly ⑩ then remove soft outer sleeve.

IMPORTANT

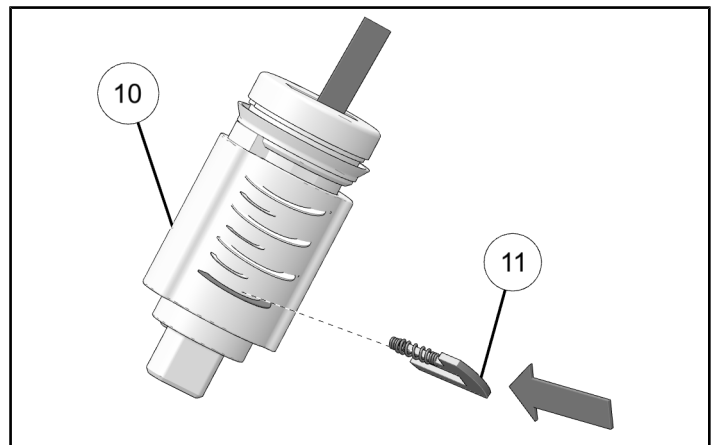
Do not remove key from lock assembly until lock is fully installed into door.



2. Insert spring ⑫ onto lock plate ⑪, hold in place.



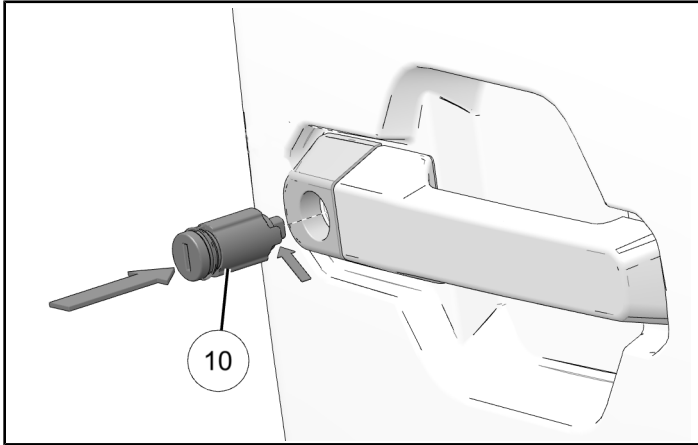
3. Install lock plate ⑪ into lock assembly ⑩, hold in place.



4. Install lock barrel ⑩ into door handle.

NOTICE

Make sure key slot is vertical and the guiding tab is towards the rear of vehicle once door is installed.

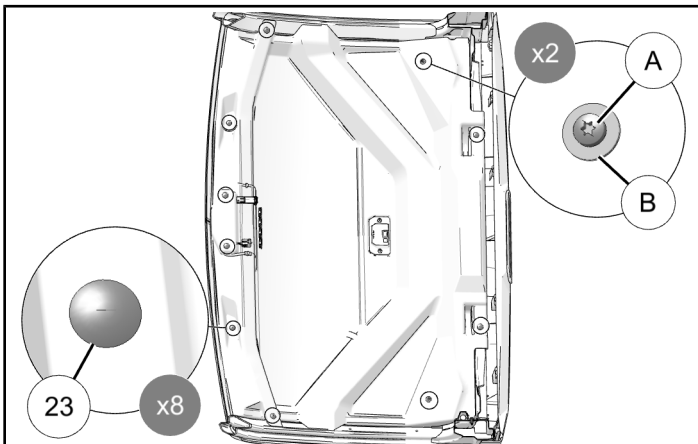
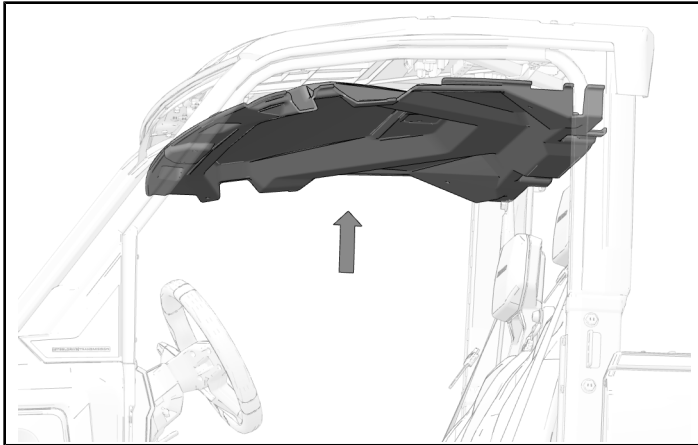


5. Turn key to remove.

VEHICLE REASSEMBLY

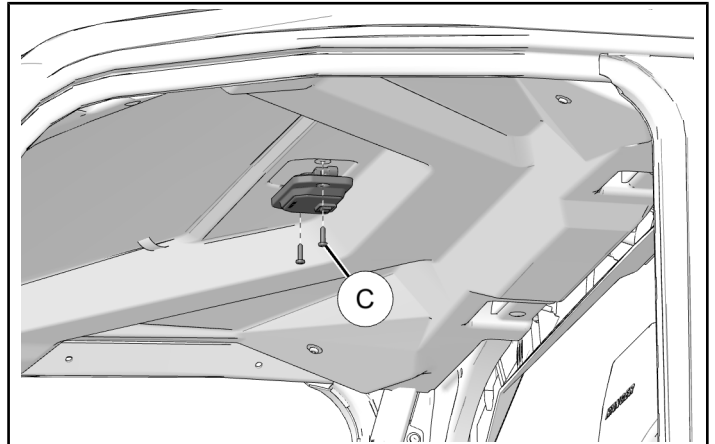
ROOF LINER INSTALLATION

1. Install two kept screws ① and washers ② and four fir tree clips ⑳ into rear roof liner.



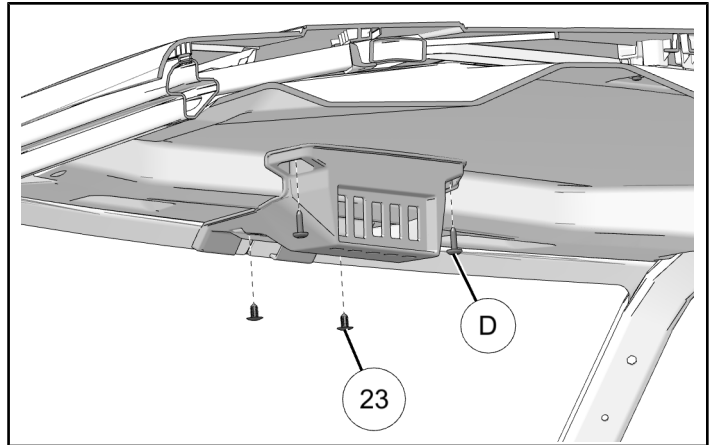
DOMELIGHT INSTALLATION

1. Plug dome light plug into wiring harness and Install two kept screws ③ into dome light.



SWITCH PANEL INSTALLATION

1. Make sure all wires are tucked inside switch panel and Install two kept screws ④ and two fir tree clips ㉓.

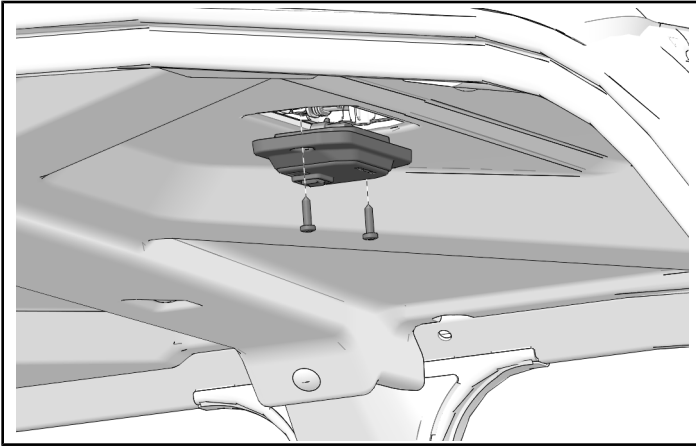


CREW INSTALLATION

VEHICLE DISASSEMBLY

DOME LIGHT REMOVAL

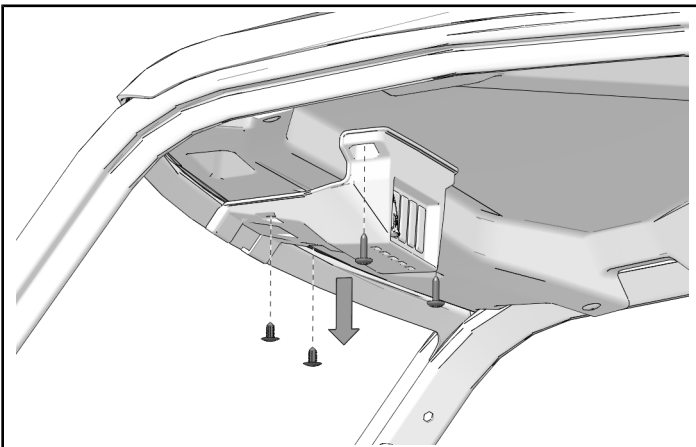
1. Remove and keep two screws from dome light. Remove dome light and disconnect any connections.



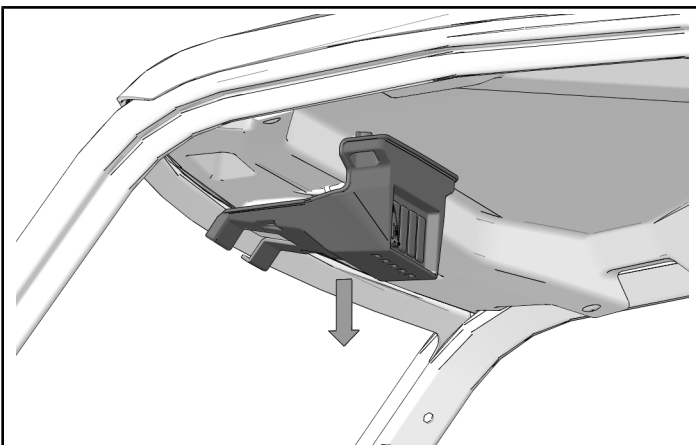
SWITCH PANEL REMOVAL

Remove if equipped.

1. Remove two push-pin darts and two screws.



2. Disconnect wire harnesses from back of switches. Remove and keep switch panel.

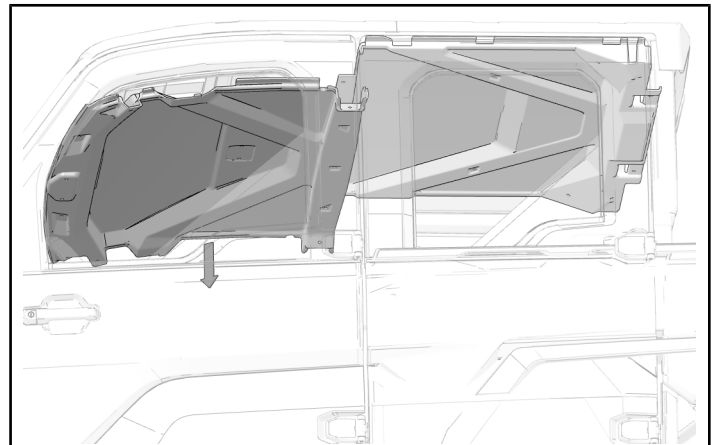
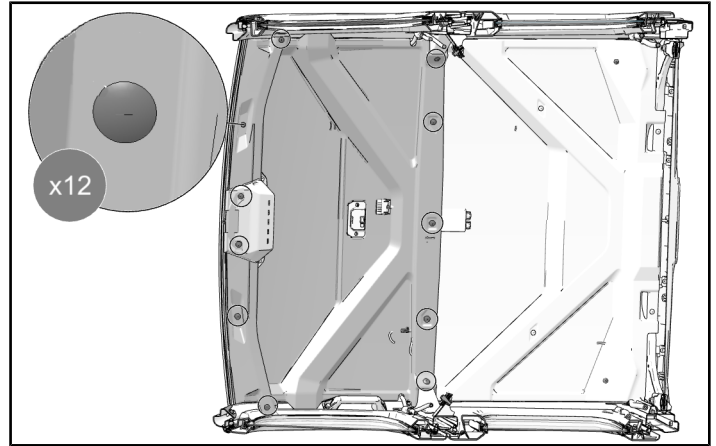


ROOF LINER REMOVAL

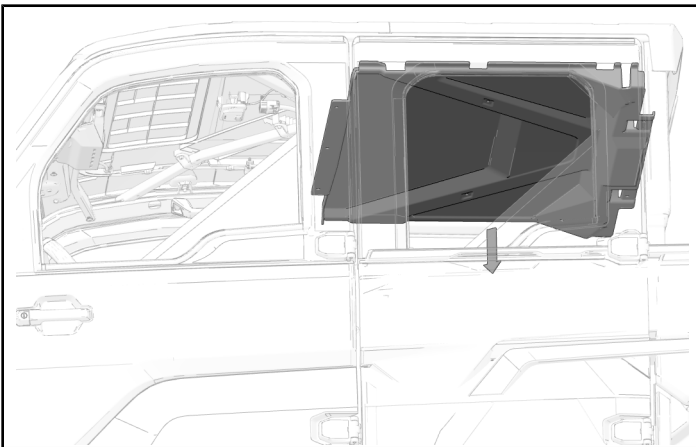
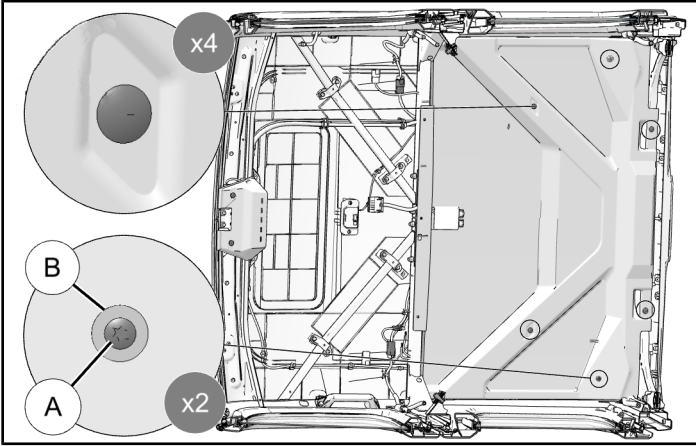
NOTICE

Vehicle hidden for clarity.

1. Remove twelve fir tree clips (23) from front roof liner. Remove roof liner from vehicle and store in a safe location.

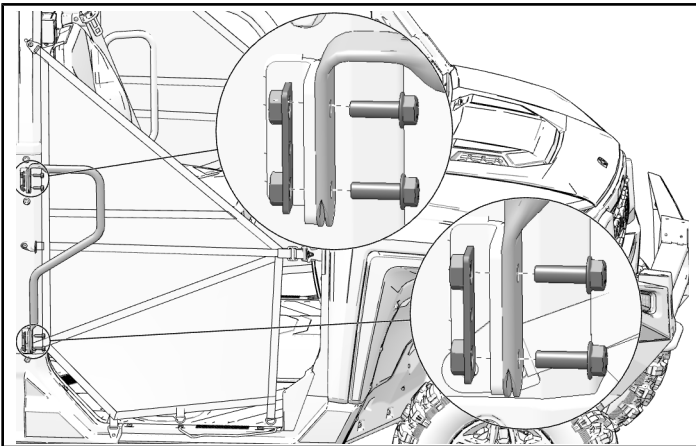


- Remove and keep screws **A** and washers **B** and four fir tree clips **44** from rear roof liner. Remove roof liner from vehicle and store in a safe location.



PASSENGER BOLSTER BAR REMOVAL

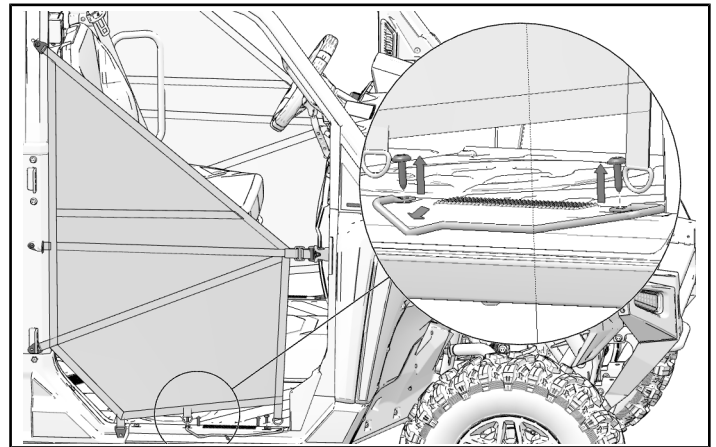
- Remove four bolts and two weld nut plates.



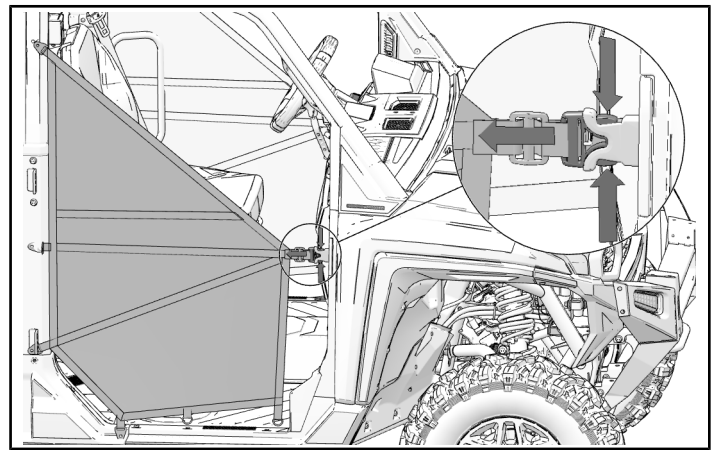
DOOR NET REMOVAL

NOTICE
Left side shown; right side similar.

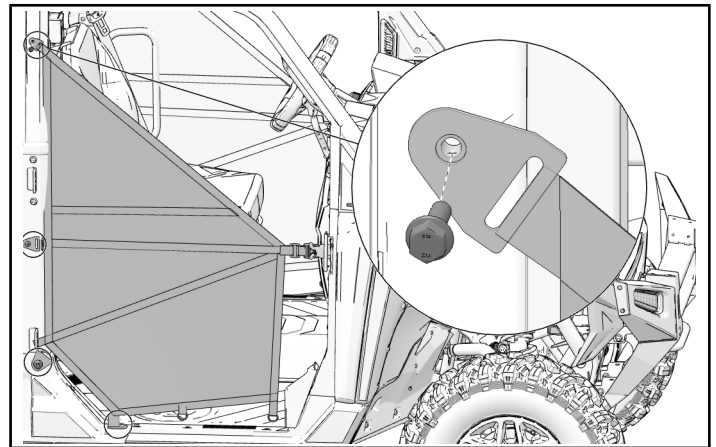
- Remove two screws and door net track.



- Open upper clip.

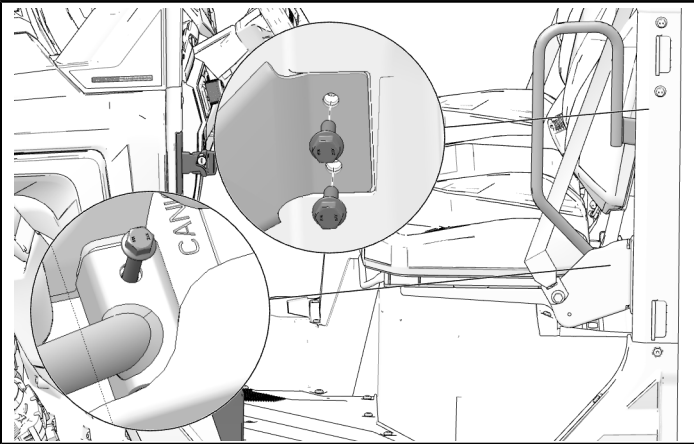


- Remove four screws.



DRIVER BOLSTER BAR REMOVAL

1. Remove four bolts from bolster bar at seat back and base.



ACCESSORY INSTALLATION

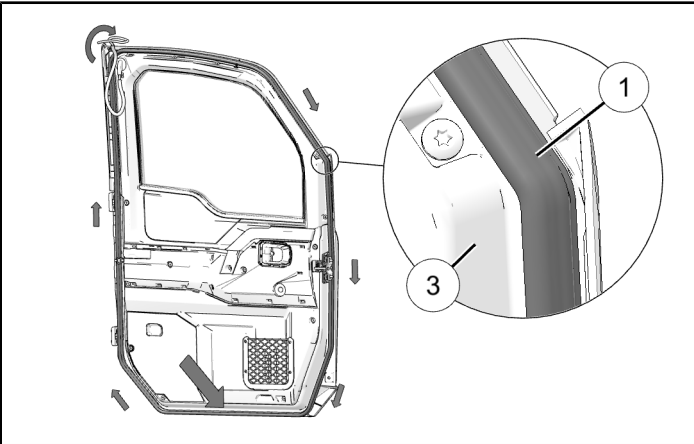
FRONT DOOR INSTALLATION

NOTICE

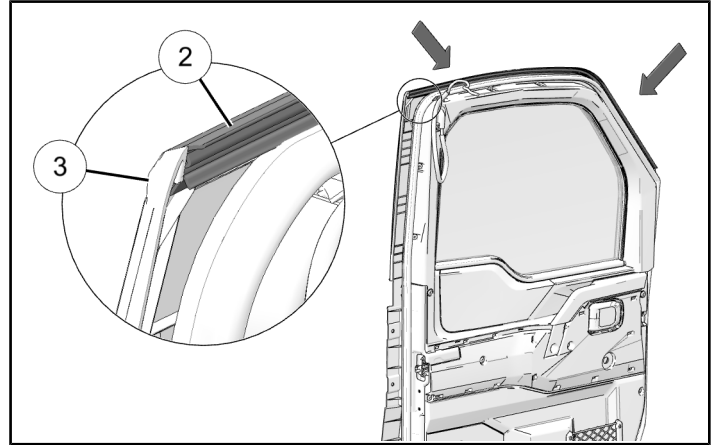
Left side shown; right side similar.

FRONT DOOR SEAL INSTALLATION

1. Install door seal ① on the edge of door ③ starting at center bottom edge.



2. Install wiper door seal ② over the top edge of door ③.



FRONT ACCENT PANEL INSTALLATION

1. Install Front Accent Panels Kit P/N 2890688 according to kit instructions.

HANDLE INSTALLATION

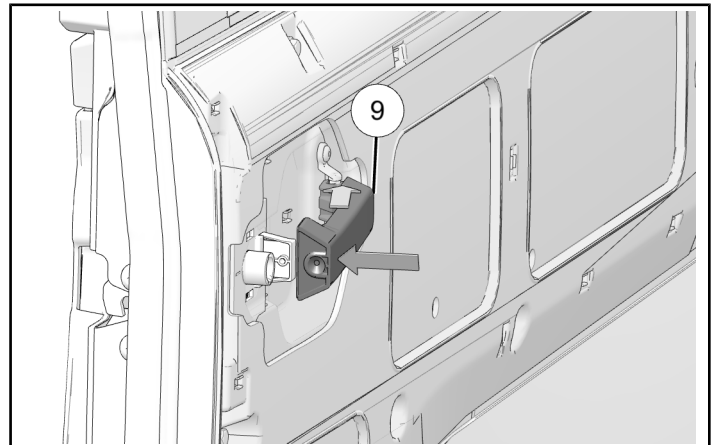
NOTE

Front left door shown, others similar.

NOTICE

Installed trim panel hidden for clarity.

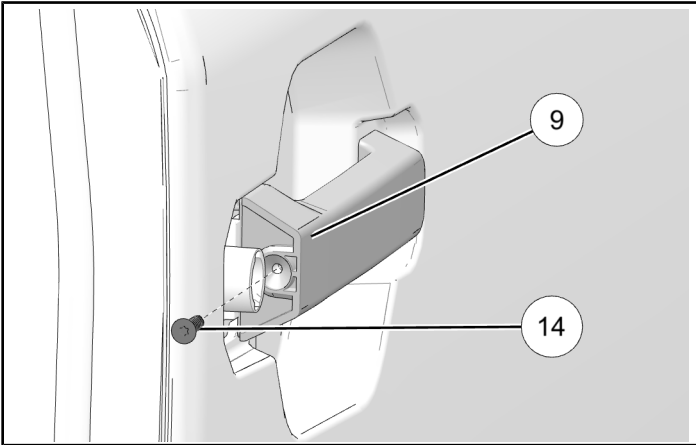
1. Install door handle ⑨ into door indentation by inserting pivot into square hole in door trim panel and inserting under door frame bracket.



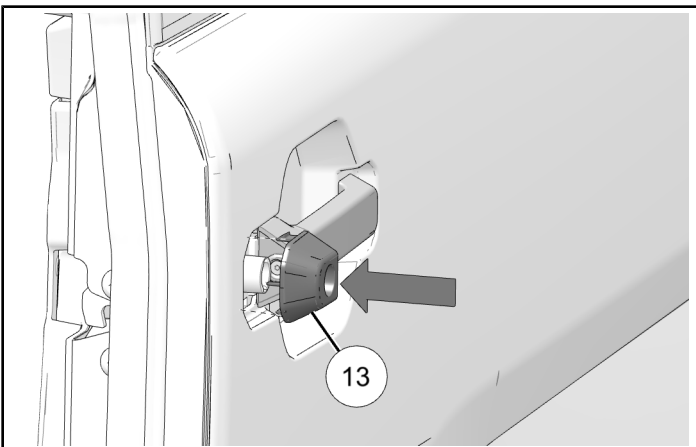
2. Install door handle screw ⑭ into door handle ⑨. Torque to specification.

TORQUE

Screw ⑭:
2.5 in-lbs (22 N·m)



3. Install lock trim ⑬ by pressing snap-on posts into slots in door.



DOOR HINGE INSTALLATION

NOTICE

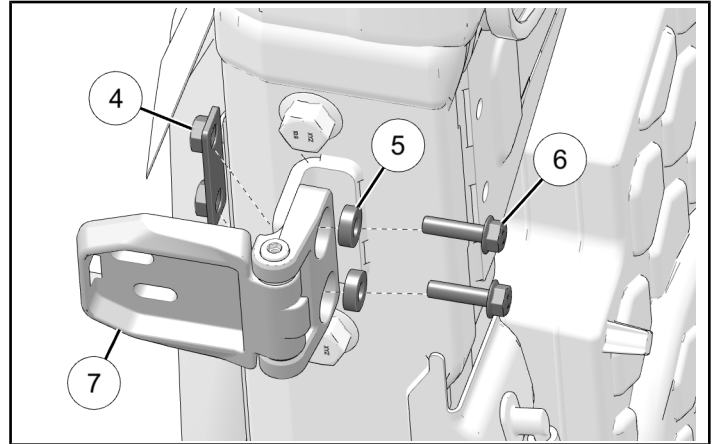
Left side shown; right side similar.

1. Lift vehicle bed.

2. Install upper door hinge ⑦ on upper chassis frame mounts using nut plate ④ two screws ⑥ and bushings ⑤. Torque to specification.

TORQUE

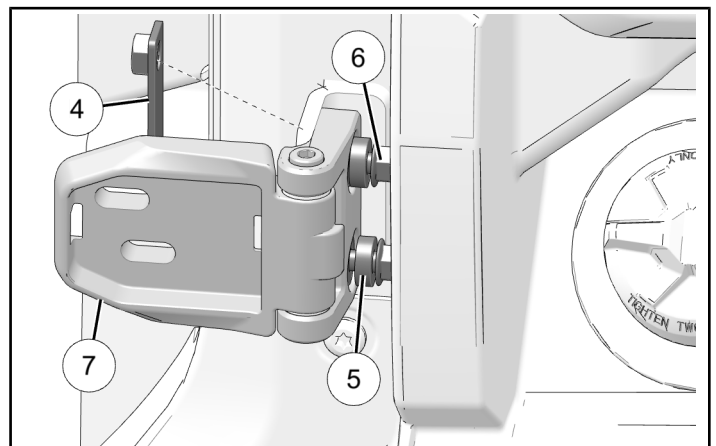
Screws ⑥:
14 ft-lbs (19 N·m)



3. Install lower door hinge ⑦ on upper chassis frame mounts using nut plate ④ two screws ⑥ and bushings ⑤. Torque to specification.

TORQUE

Screws ⑥:
14 ft-lbs (19 N·m)



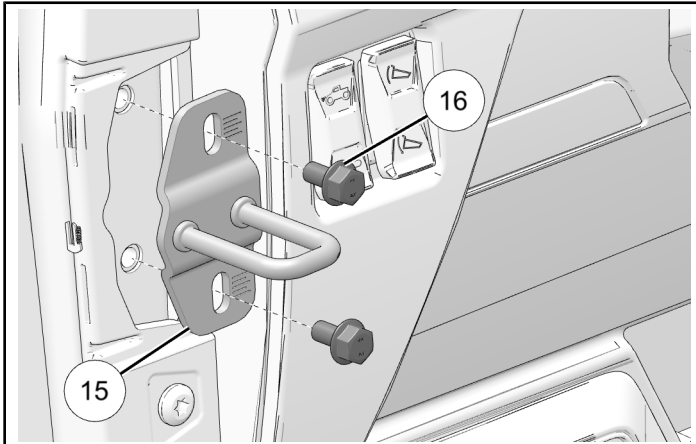
FRONT DOOR STRIKER INSTALLATION

NOTICE

Left side shown; right side similar.

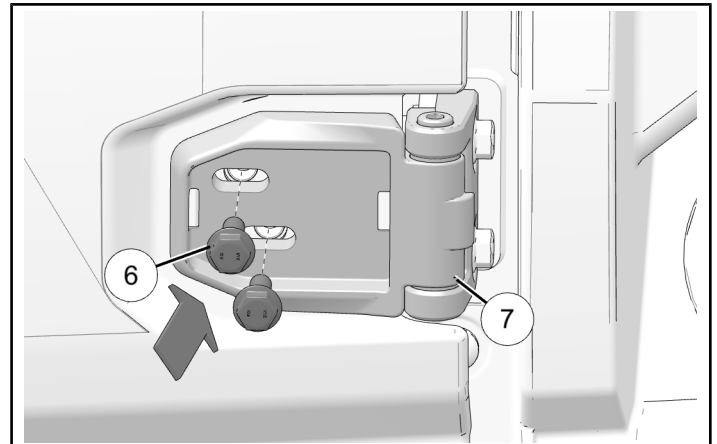
1. Loosely install striker ⑬ to chassis using two screws ⑭.

DO NOT torque fasteners at this time.



2. Loosely install two screws ⑥ into front side of upper and lower hinges ⑦.

DO NOT torque fasteners at this time.

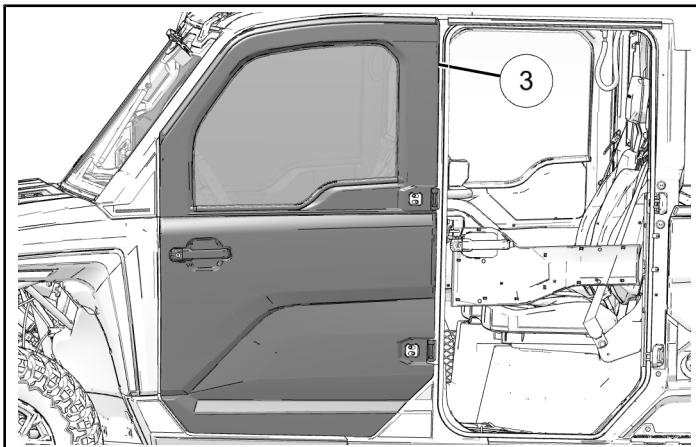


DOOR INSTALLATION

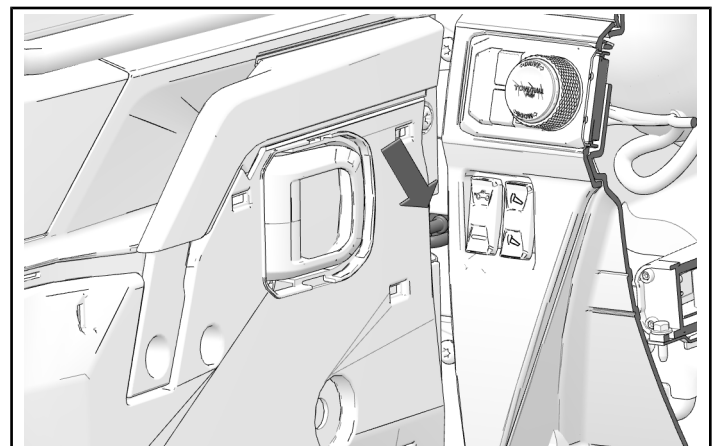
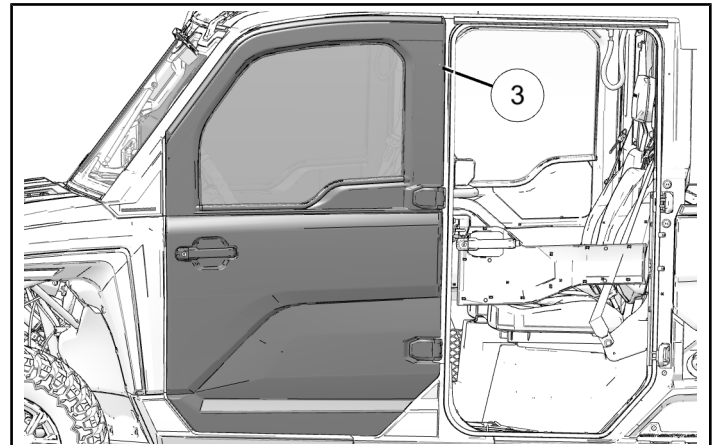
TIP

Two people recommended for door installation.

1. Push door ③ closed and center it in the chassis opening.



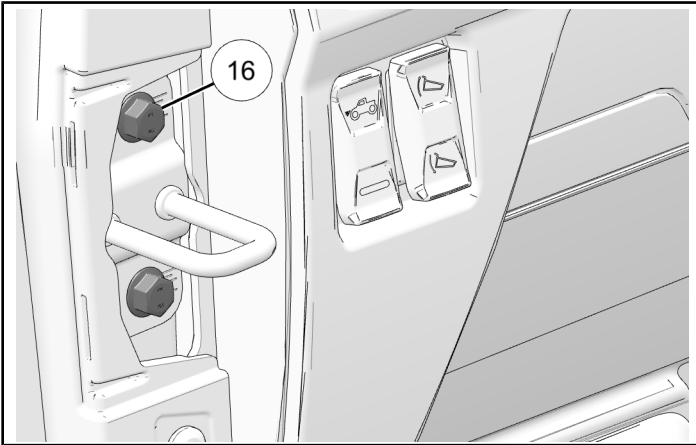
3. Open and close door ③ to make sure the door is centered in the chassis opening. Remove and adjust striker if needed.



- Torque screws ⑭ in adjusted striker to specification.

TORQUE

Screws ⑭:
14 ft-lbs (19 N·m)



- Torque screws ⑥ to specification.

TORQUE

Hinge Screws ⑥:
14 ft-lbs (19 N·m)

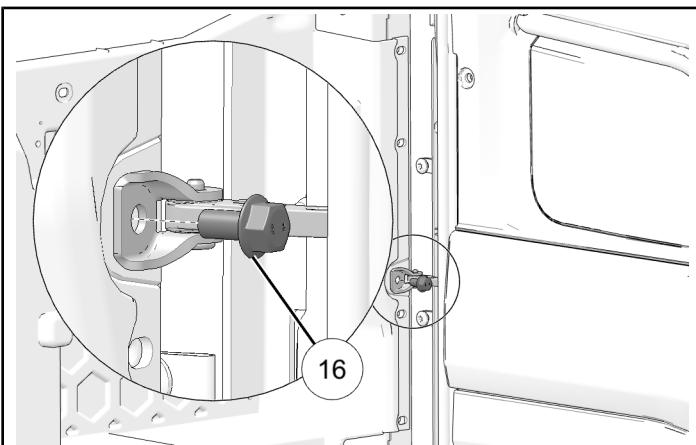
NOTICE

Parts of vehicle hidden for clarity.

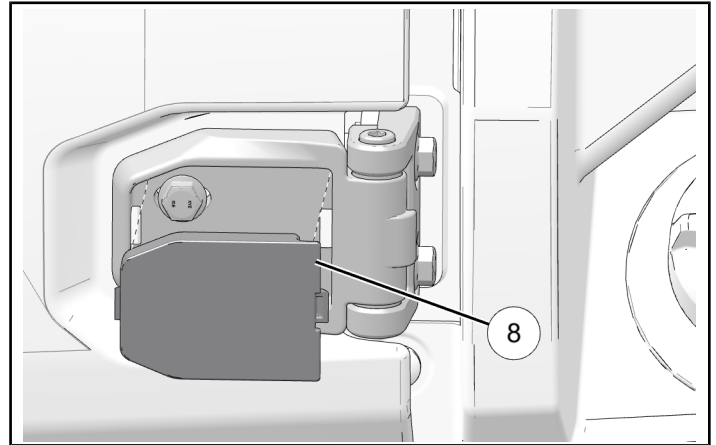
- Install door stop with screw ⑯. Torque to specification.

TORQUE

Screws ⑯:
14 ft-lbs (19 N·m)



- Install door hinge cover by pressing snap-on posts into slots in hinge.

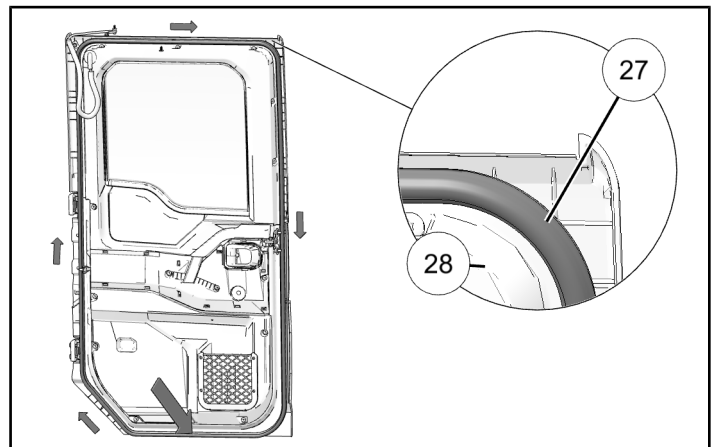


- Install striker cover ⑰ by pressing snap-on posts into slots in door.

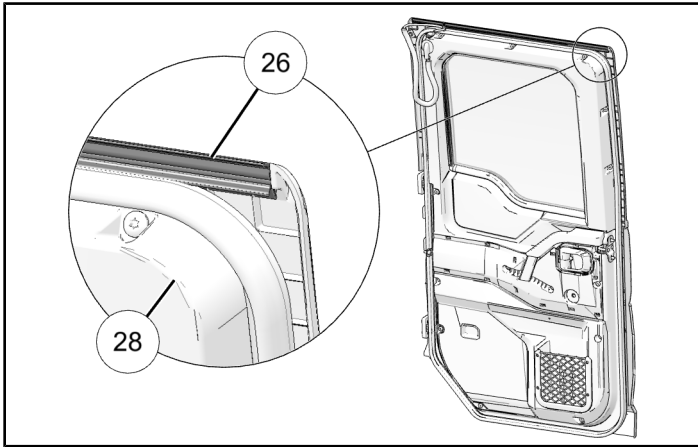


REAR DOOR INSTALLATION

- Put door seal ⑳ on the edge on each door ㉑ starting at center bottom edge.



- Put wiper door seal ②⑥ over the top edge of door ②⑧.



REAR ACCENT PANEL INSTALLATION

- Install Rear Accent Panels Kit P/N 2890689 according to kit instructions.

HANDLE INSTALLATION

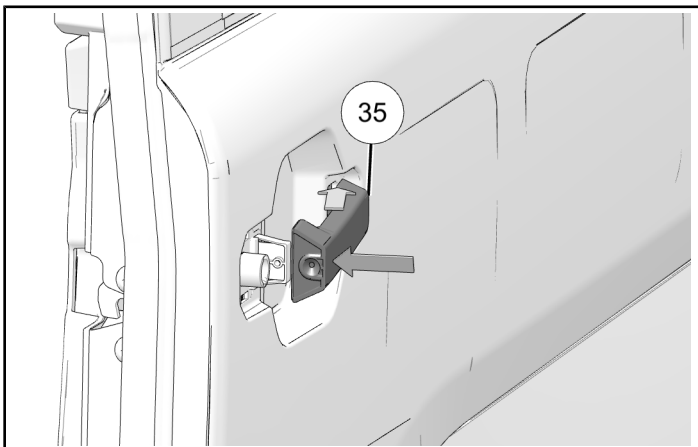
NOTICE

Front left door shown, others similar.

NOTICE

Installed trim panel hidden for clarity.

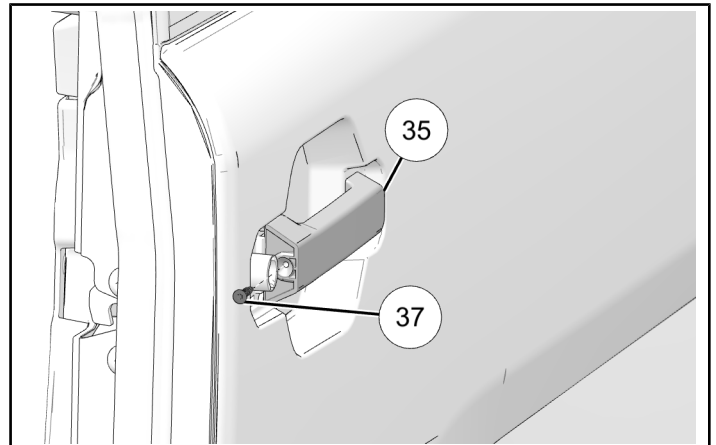
- Install door handle ③⑤ into door indentation by inserting pivot into square hole in door trim panel and inserting under door frame bracket.



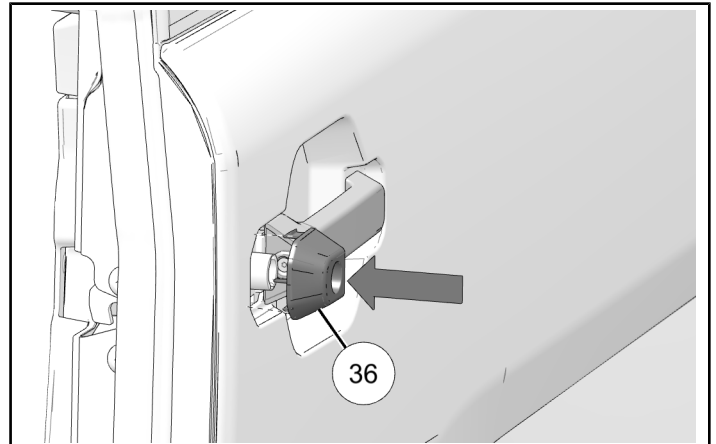
- Install door handle screw ③⑦ into door handle ③⑤. Torque to specifications.

TORQUE

Screw ③⑦:
2.5 in-lbs (22 N·m)



- Install lock trim ③⑥ by pressing snap-on posts into slots in door.



DOOR HINGE INSTALLATION

NOTICE

Left side shown; right side similar.

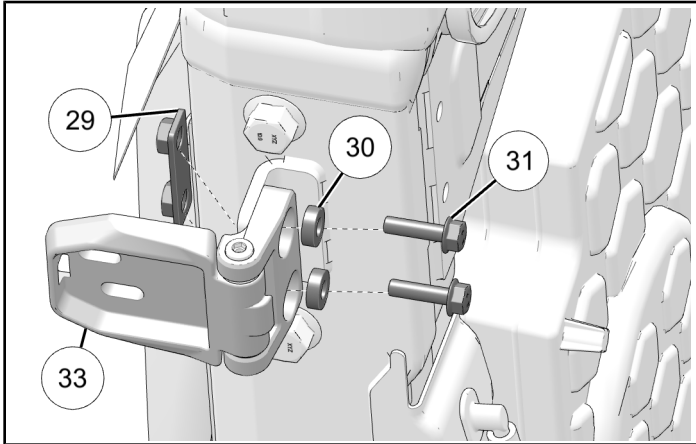
NOTICE

Parts hidden for clarity.

1. Install upper door hinge (33) on upper chassis frame mounts using nut plate (29) two screws (31) and bushings (30). Torque to specification.

TORQUE

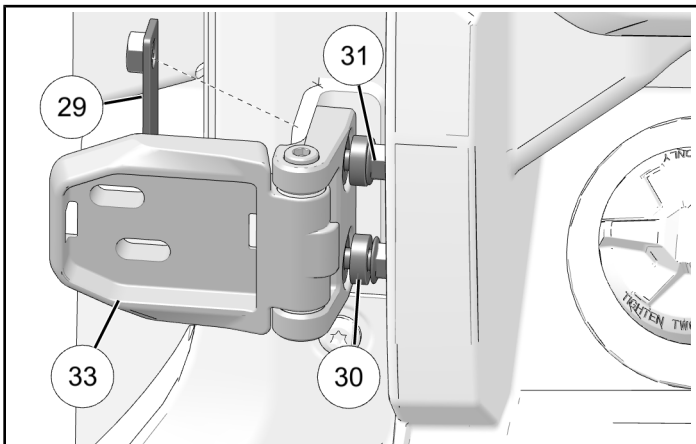
Screws (29):
14 ft-lbs (19 N·m)



2. Install lower door hinge (33) on upper chassis frame mounts using nut plate (29) two screws (31) and bushings (30). Torque to specification.

TORQUE

Screws (29):
14 ft-lbs (19 N·m)



FRONT DOOR STRIKER INSTALLATION

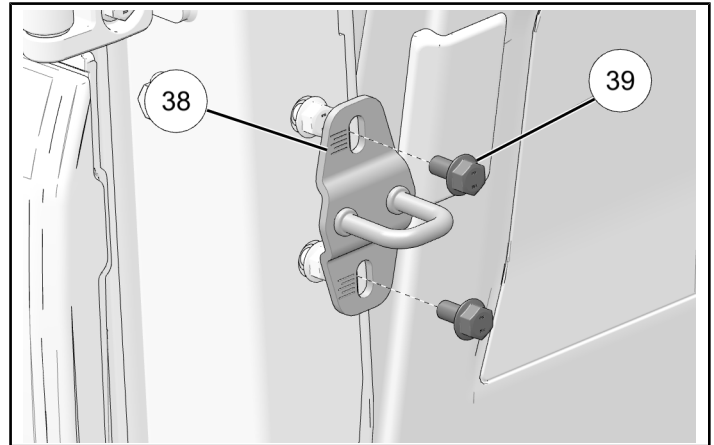
NOTICE

Left side shown; right side similar.

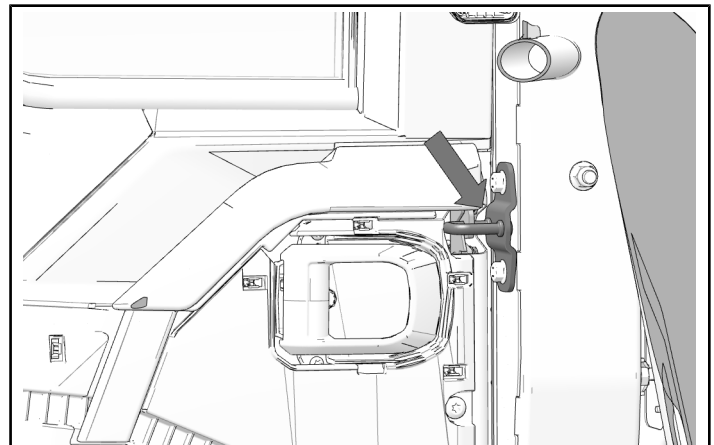
1. Loosely install striker (38) to chassis using two screws (39).

NOTICE

Do not torque fasteners at this time.



2. Hold door in the closed position to make sure the door and striker latch completely. Remove and adjust striker if needed.



3. Torque screws (39) in adjusted striker to specification.

TORQUE

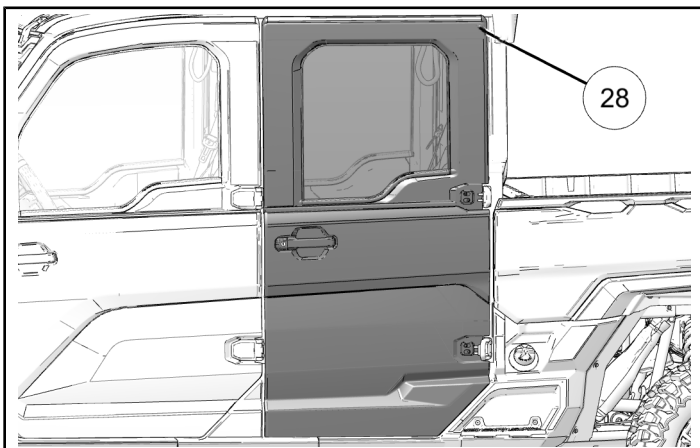
Screws (39):
14 ft-lbs (19 N·m)

DOOR INSTALLATION

TIP

Two people recommended for door installation.

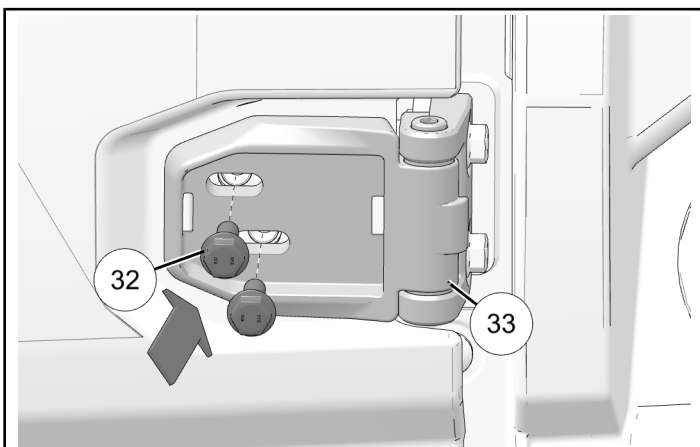
1. Push door ⑳ closed and center it in the chassis opening.



2. Loosely install two screws ㉓ into front side of upper and lower hinges ㉔.

NOTICE

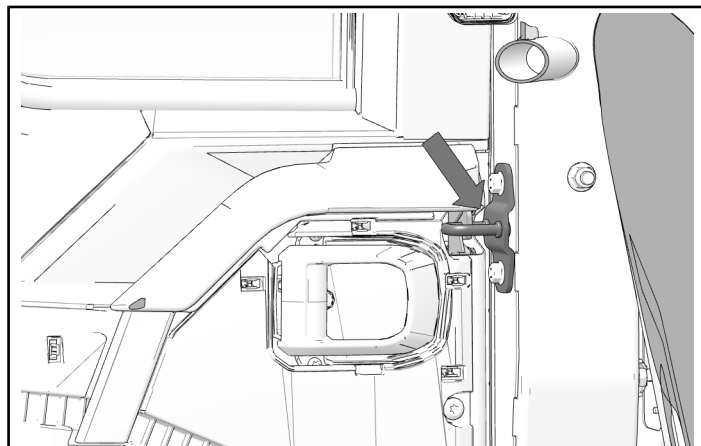
Do not torque fasteners at this time.



3. Open and close door ㉔ to make sure the door is centered in the chassis opening. Adjust if needed.



4. Hold door in the closed position to make sure the door and striker latch completely. Remove and adjust striker if needed.



5. Torque screws ㉔ in adjusted striker to specification.

TORQUE

Screws ㉔:
14 ft-lbs (19 N·m)

6. Torque screws ㉓ to specification.

TORQUE

Hinge Screws ㉓:
14 ft-lbs (19 N·m)

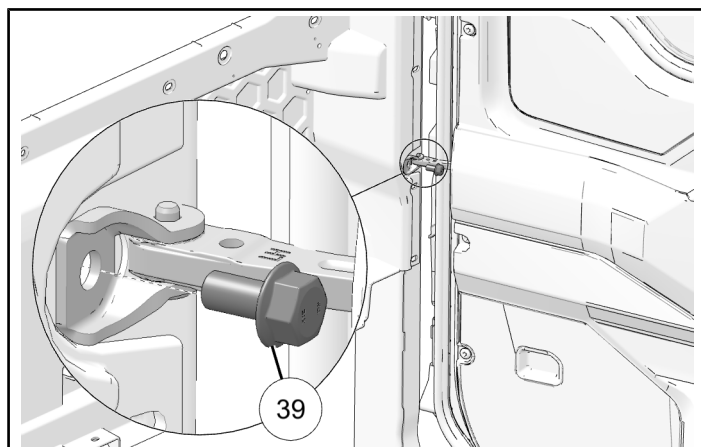
NOTICE

Parts of vehicle hidden for clarity.

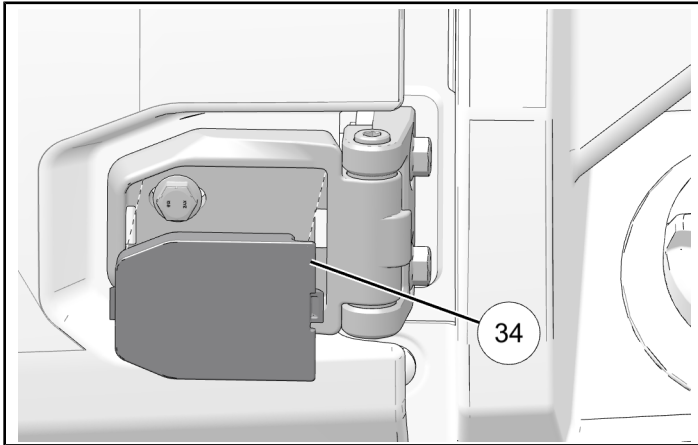
7. Install door stop with screw ㉔. Torque to specification.

TORQUE

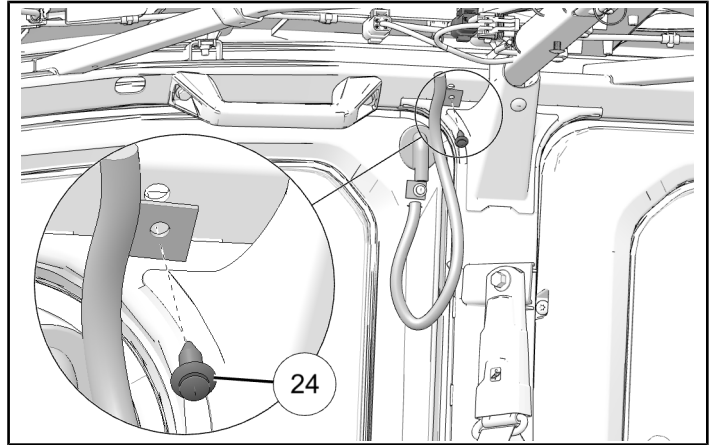
Screws ㉔:
14 ft-lbs (19 N·m)



8. Install door hinge cover **34** by pressing snap-on posts into slots in hinge.



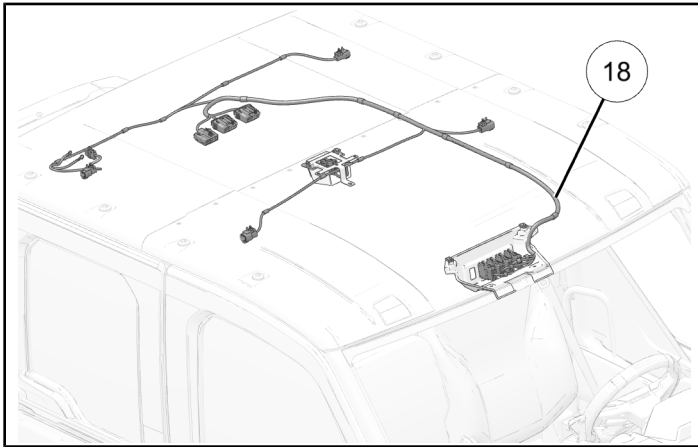
3. Install push-pin dart **24** through bracket on front door crossover connector.



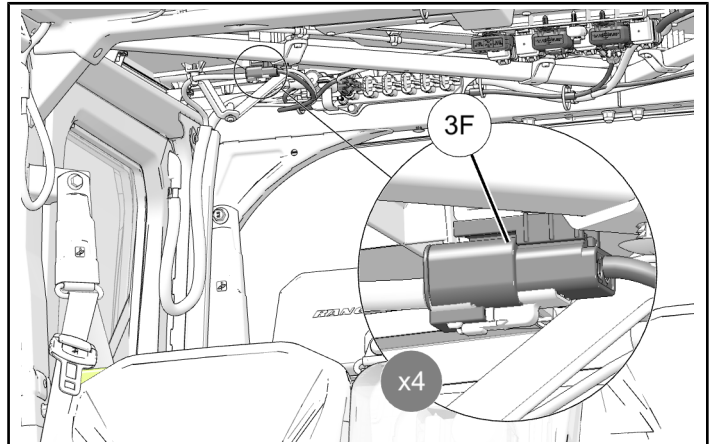
9. Lower vehicle bed.

WIRE HARNESS INSTALLATION

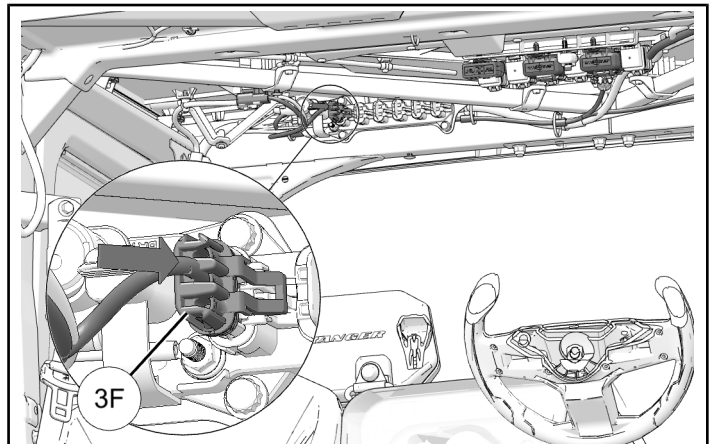
1. Wiring harness location.



4. Remove cap from connector **3F**, plug into window crossover connector door connector. Repeat for each door.



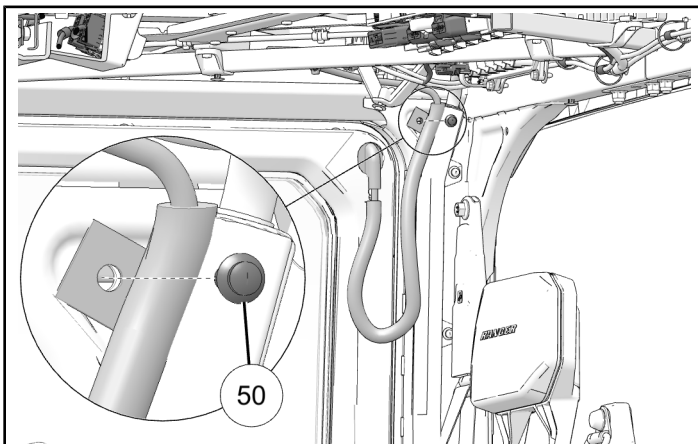
5. Connect **3F** to any open terminal on pulse bar.



NOTICE

Left side shown; right side similar.

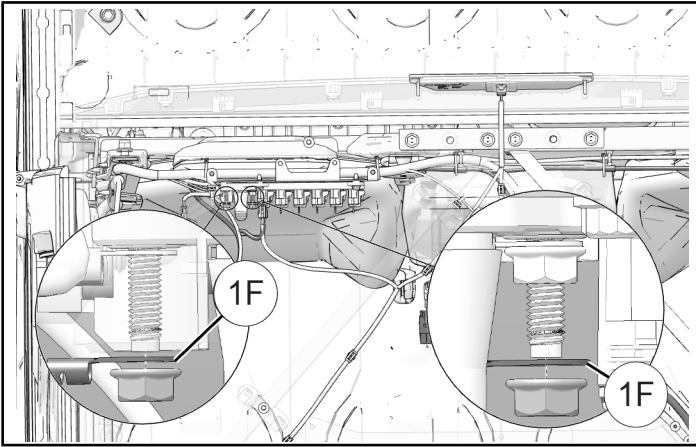
2. Install push-pin dart **50** through bracket on rear door crossover connector.



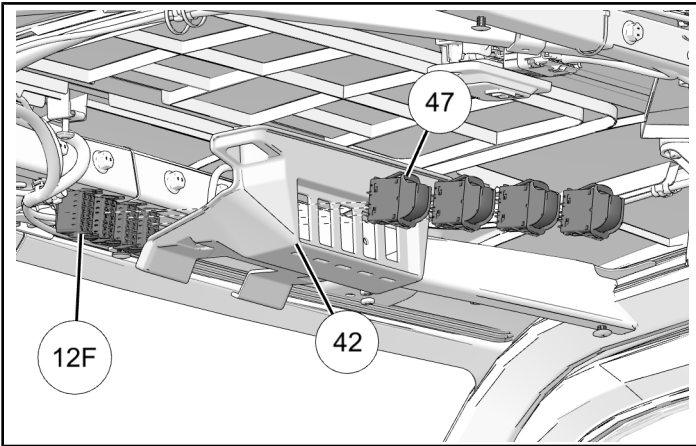
NOTICE

Parts hidden for clarity

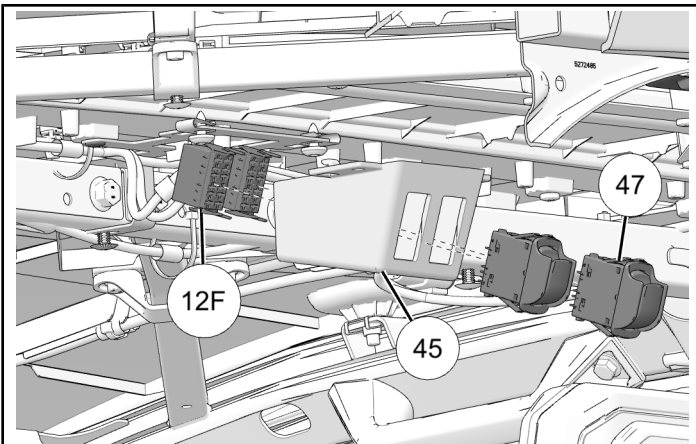
- Connect negative terminal **1F** and positive terminal **1F** to pulse block.



- Plug four switches **47** into wiring harness location **12F** through openings in front switch panel **42**.



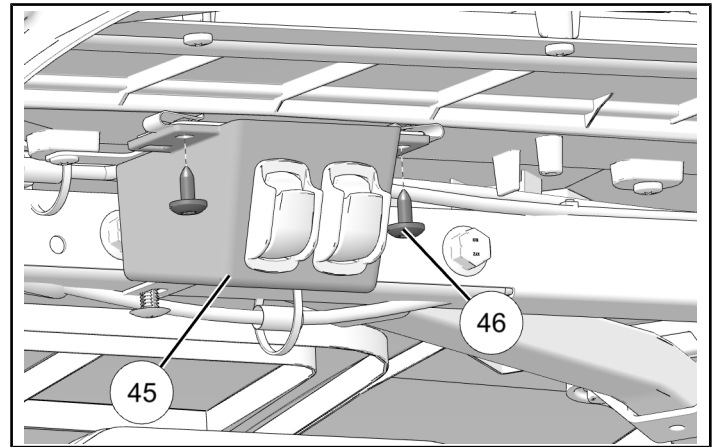
- Plug two switches **47** into wiring harness location **12F** through openings in rear switch panel **45**.



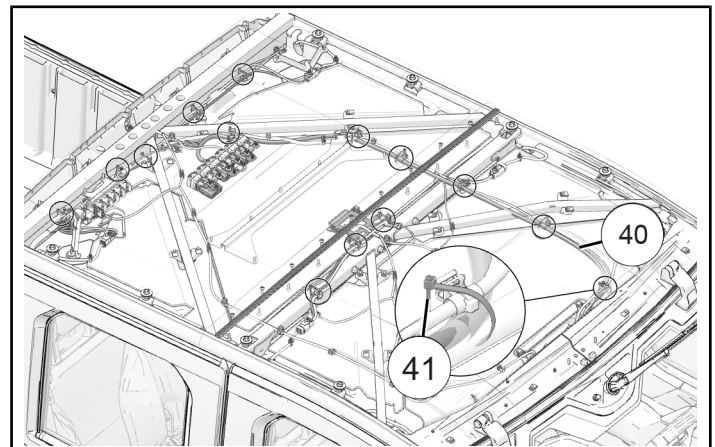
- Install two screws **46** rear switch cover **45**. Torque to specification

TORQUE

Screws **46**:
8 in-lbs (2.5 N·m)



- Attach harness **40** to pulse bar harness using fourteen cable ties **41**.

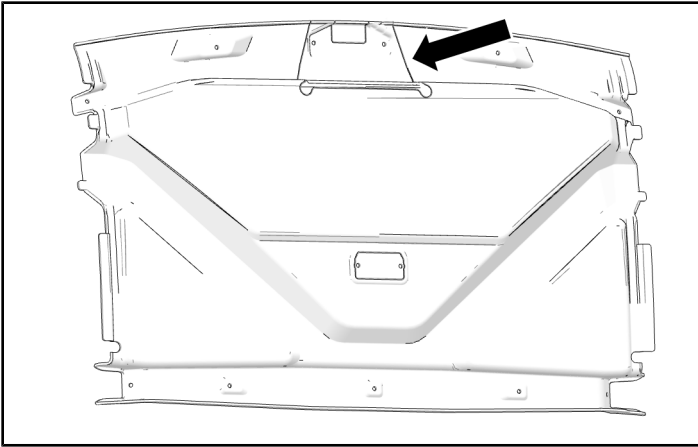


ROOF PREPARATION

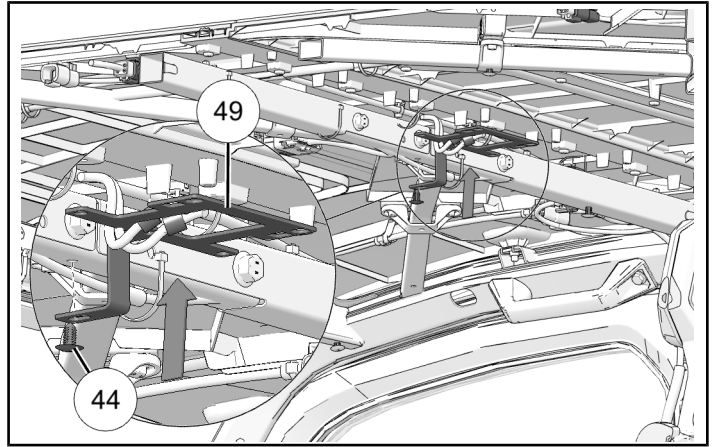
NOTICE

Skip following steps if switch panels were already installed.

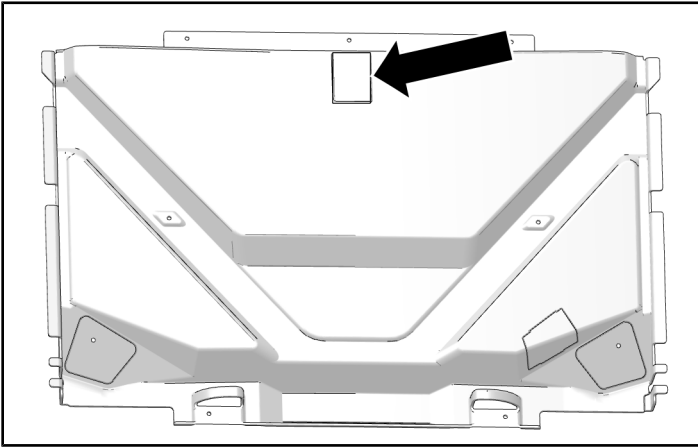
1. On front liner trim section indicated by score lines.



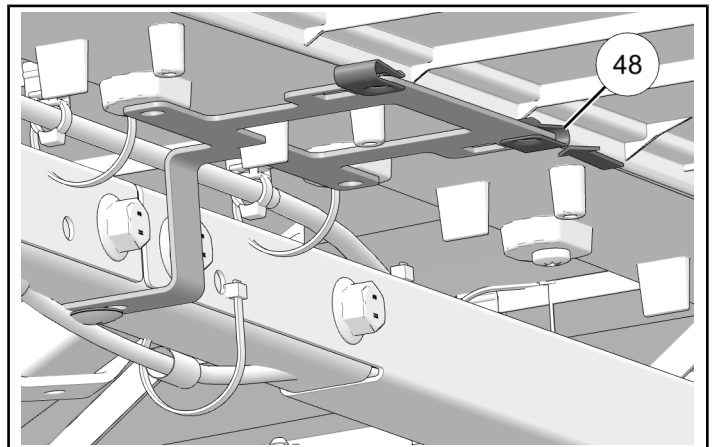
2. Install bracket 49 on underside of roof with push-pin dart 44.



2. On rear liner panel trim section indicated by score lines.

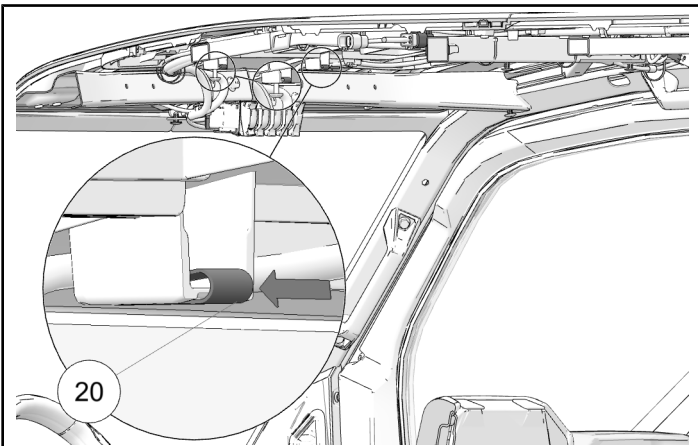


3. Install two retainer clips 48.



SWITCH PANEL INSTALLATION

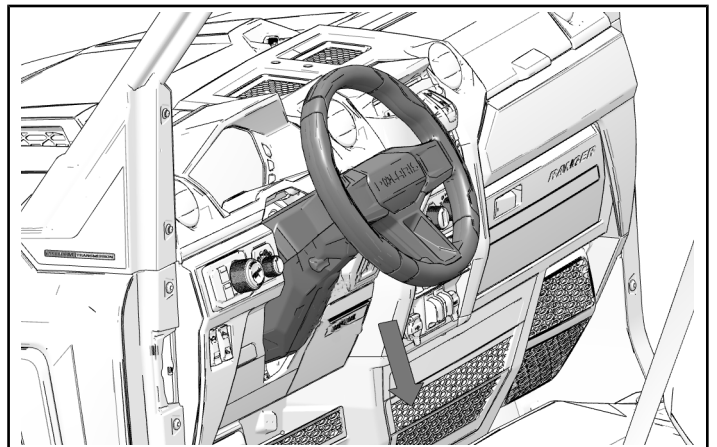
1. Put two retainer clips 20 on ceiling mounts.



IGNITION AND LOCK INSTALLATION

IGNITION SWITCH

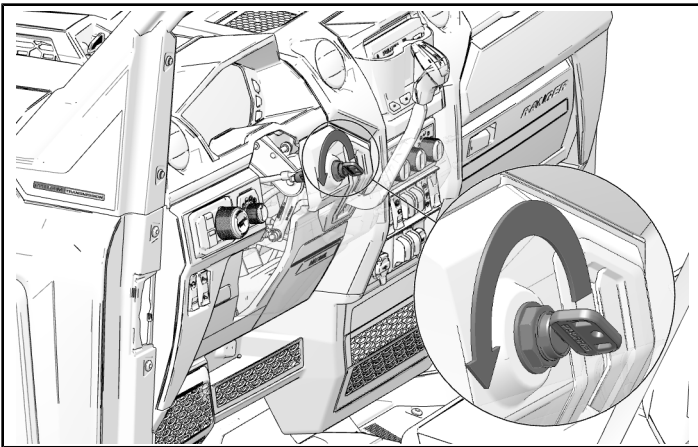
1. Move steering wheel into the lowest position.



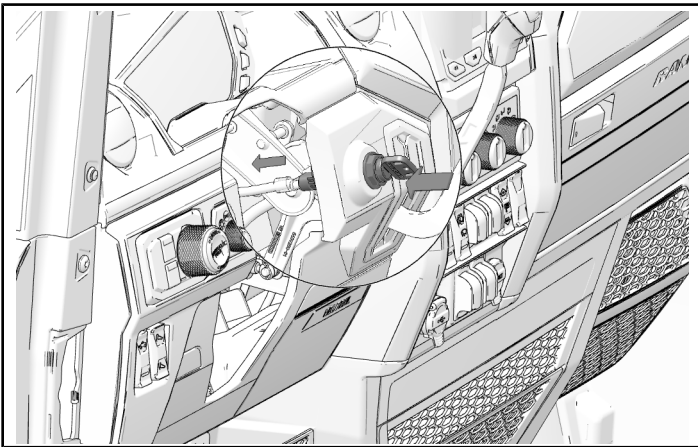
NOTICE

Parts of vehicle hidden for clarity.

- Turn ignition locking ring to loosen.



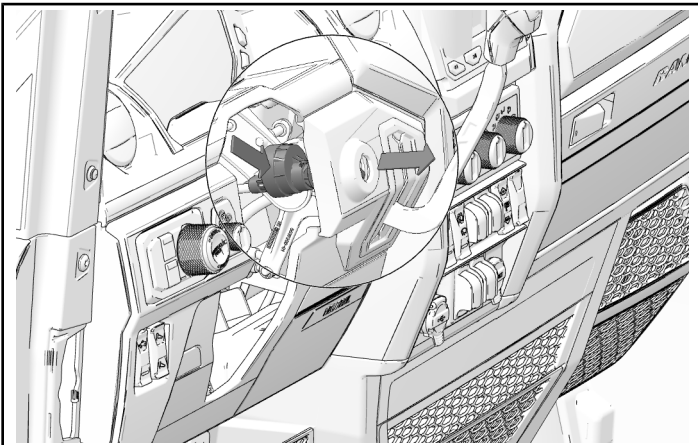
- Access the back of the ignition through opening behind steering wheel to remove and unplug.



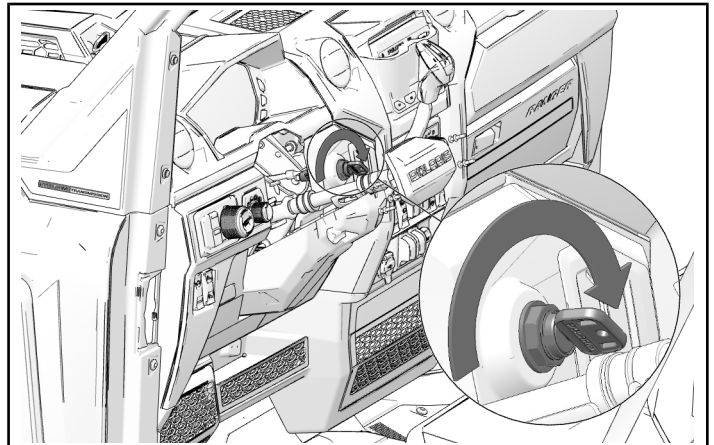
NOTICE

Ignition will only fit in one location. Make sure tab is pointed up.

- Plug new ignition to the wiring harness, and install through opening behind steering wheel.



- Install ignition locking ring by turning until fully seated.



- Move steering wheel to desired height.

DOOR LOCK

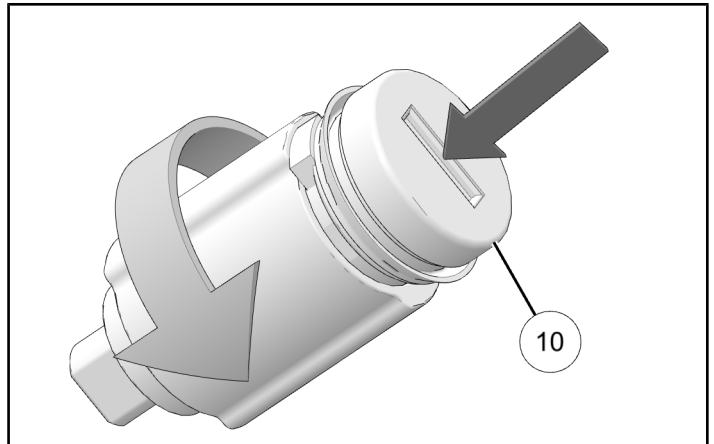
NOTICE

Left door shown; others similar.

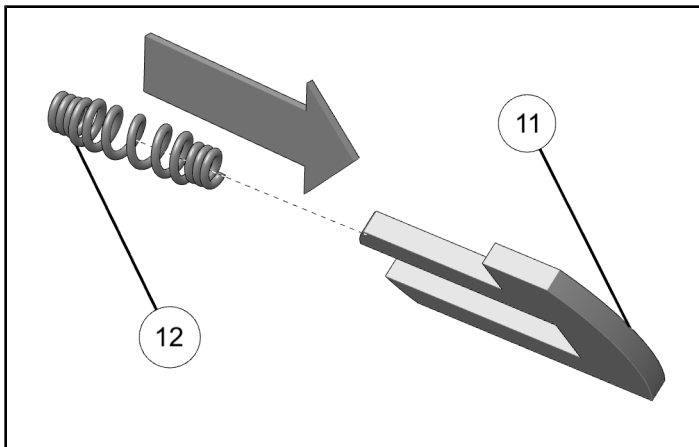
- Put key into lock assembly ⑩ then remove soft outer sleeve.

IMPORTANT

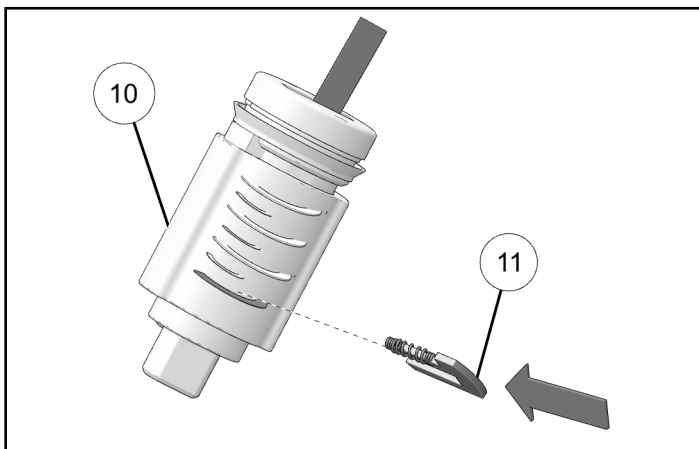
Do not remove key from lock assembly until lock is fully installed into door.



2. Insert spring ⑫ onto lock plate ⑪, hold in place.



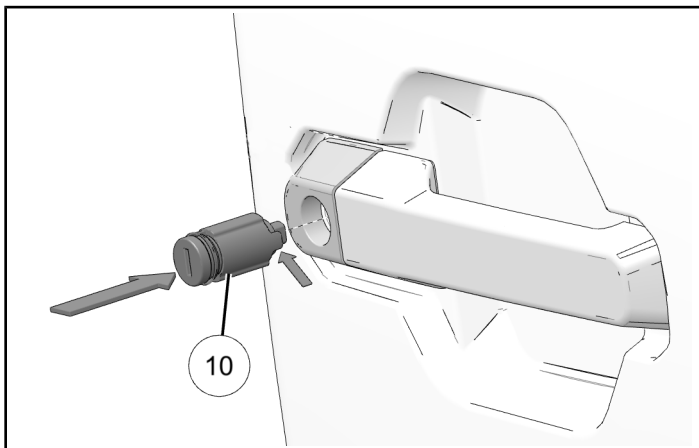
3. Install lock plate ⑪ into lock assembly ⑩, hold in place.



4. Install lock barrel ⑩ into door handle.

NOTICE

Make sure key slot is vertical and the guiding tab is towards the rear of vehicle once door is installed.



5. Turn key to remove.

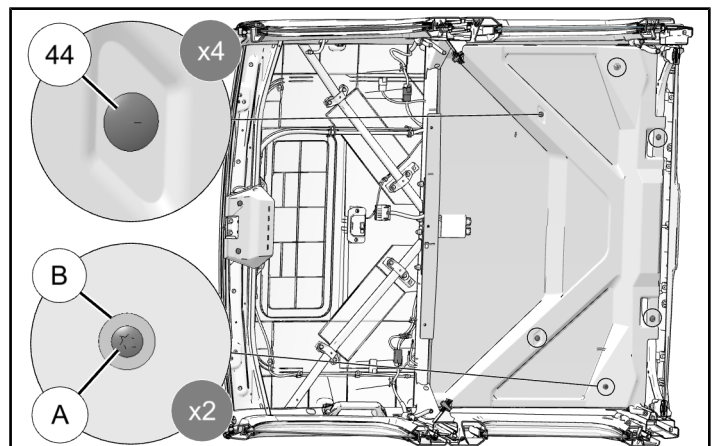
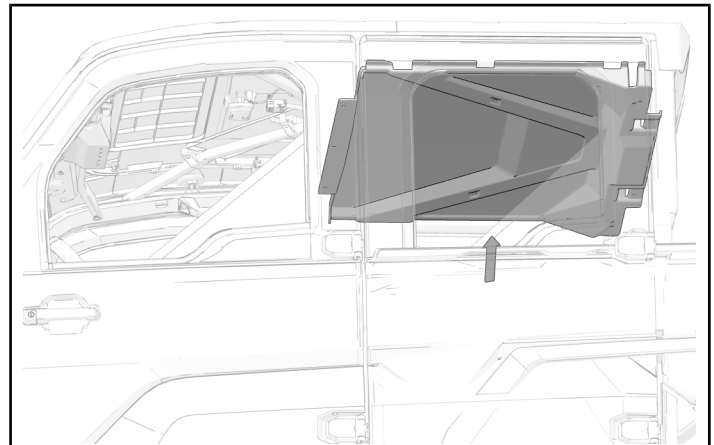
CREW MODEL VEHICLE REASSEMBLY

ROOF LINER INSTALLATION

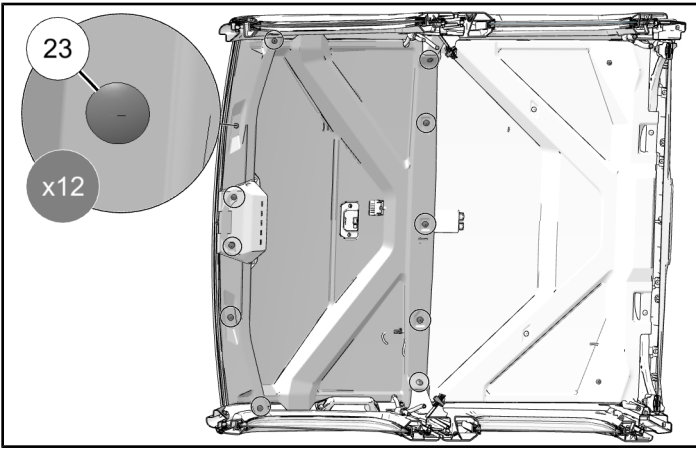
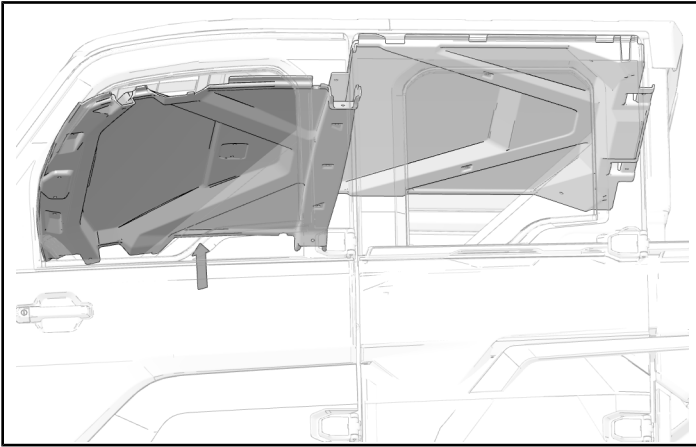
1. Install rear roof liner onto roof with four kept fir tree clips ④④ and two kept screws ① and washers ②. Torque to specifications.

TORQUE

Rear Corner Screws ①:
22 in-lbs (2.5 N·m)



2. Install front headliner using twelve kept fir tree clips ②③.

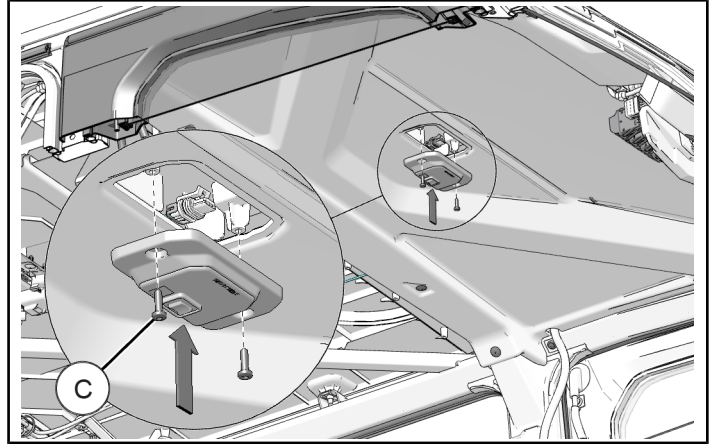


DOME LIGHT INSTALLATION

1. Plug dome light into pulse bar wiring harness.
Torque two dome light screws ③ to specification.

TORQUE

Dome Light Screws: ③
17 in-lbs (2 N·m)



FRONT SWITCH PANEL INSTALLATION

1. Install two kept screws ④ into front switch ②③.
Torque to specification

TORQUE

Screws: ④
31 in-lbs (3.5 N·m)

