

LIGHTBAR MOUNT KIT



P/N 2889930

MISSING OR DAMAGED PARTS

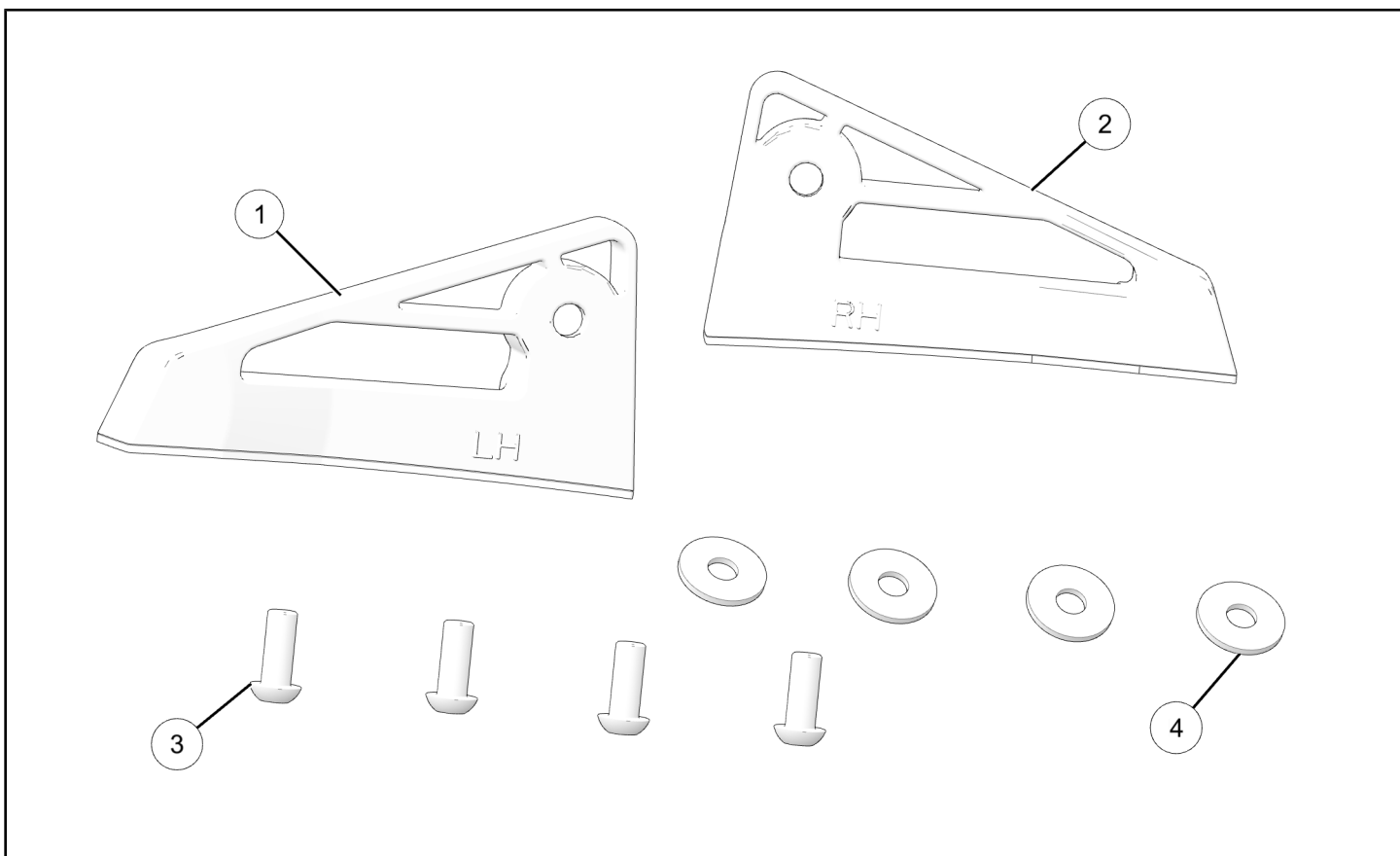
Before beginning assembly, inspect the kit and its component(s) to be sure all parts and tools are accounted for and not damaged. If missing parts or parts are damaged, please contact your Selling Dealer for assistance.

If your accessory was purchased online, please contact POLARIS® customer service at **1-800-POLARIS** (US & Canada only).

APPLICATION

Verify accessory fitment at www.polaris.com.

KIT CONTENTS



REF	QTY	PART DESCRIPTION	P/N AVAILABLE SEPARATELY
1	1	Left Light Bar Bracket	n/a
2	1	Right Light Bar Bracket	n/a
3	4	Screw, Torx™ Button Head, M8 x 1.25 x 20	917022
4	4	Washer, M8 x 2.0	920081

TOOLS REQUIRED

- Drill
- Drill Bit:
 - 5/16in in
- Socket Set, Torx® Bit
- Torque Wrench

IMPORTANT

Your Lightbar Mount Kit is exclusively designed for your vehicle. Please read the installation instructions thoroughly before beginning. Installation is easier if the vehicle is clean and free of debris. For your safety, and to ensure a satisfactory installation, perform all installation steps correctly in the sequence shown.

INSTALLATION INSTRUCTIONS

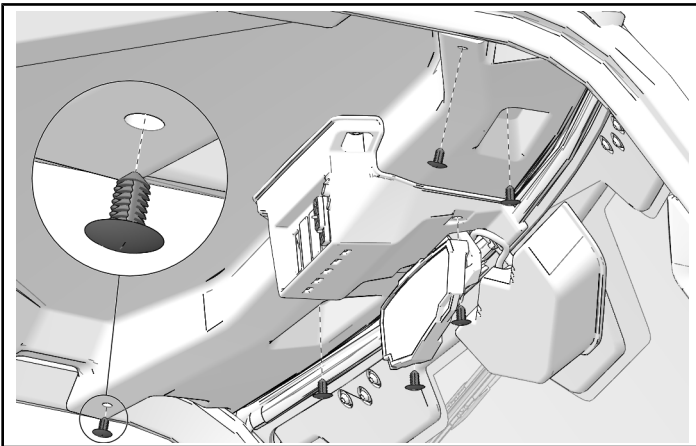
VEHICLE PREPARATION

GENERAL

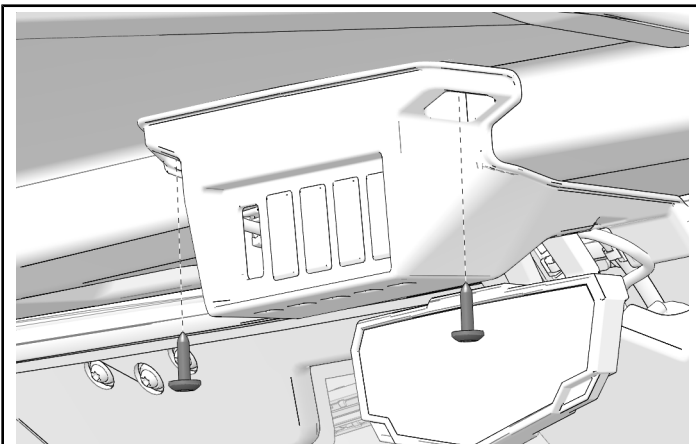
1. Park vehicle on a flat surface.
2. Shift vehicle into PARK.
3. Turn key to OFF position and remove key.

ROOF LINER FRONT REMOVAL

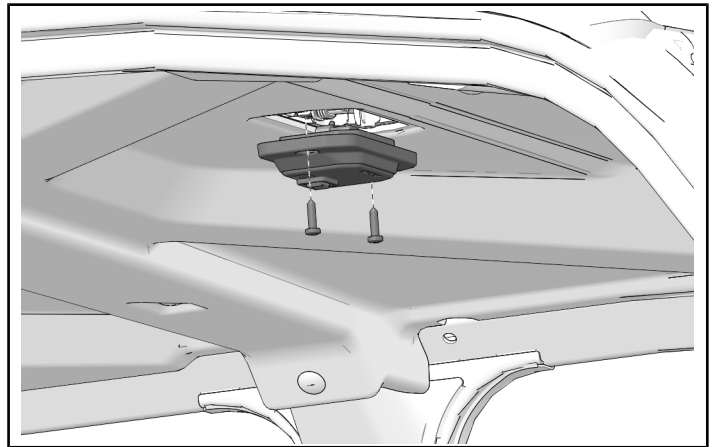
1. Remove and keep six push dart clips from front edge of liner.



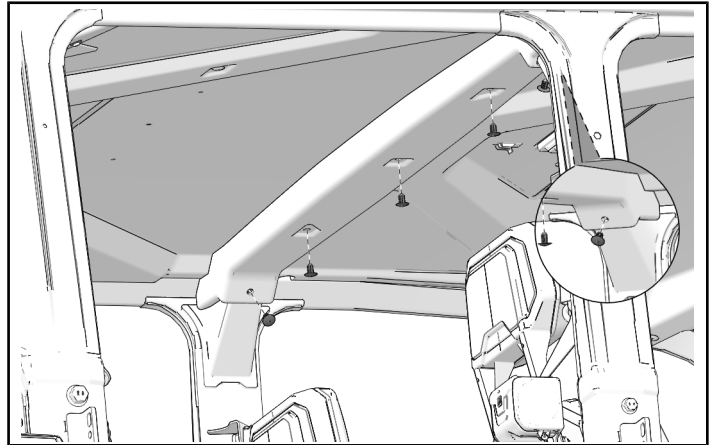
2. If equipped with upper switch panel, remove two screws from switch panel. Disconnect any harness attached. Remove Switch Panel.



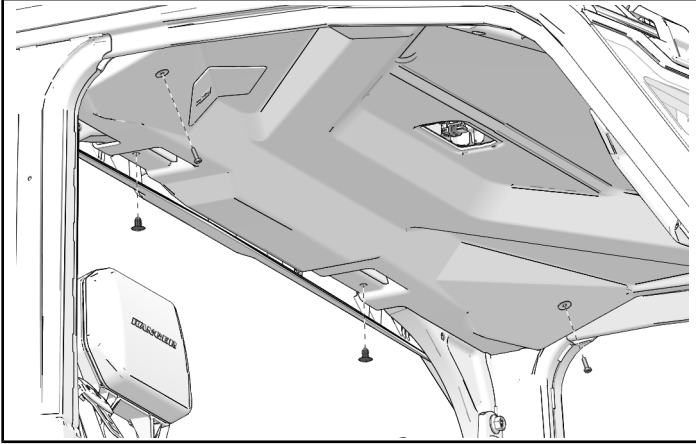
3. Remove two screws from middle of front roof liner. If equipped with dome light, remove dome light and disconnect any wiring.



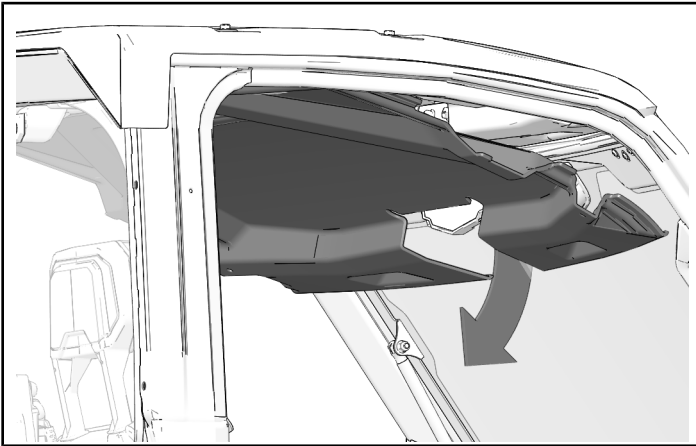
4. Crew Model Only: Remove five push dart clips from back of front roof liner.



- Three-passenger Vehicle Only: Remove two screws and two push dart clips from rear of front liner.



- Pull front of roof liner down to remove from roof.



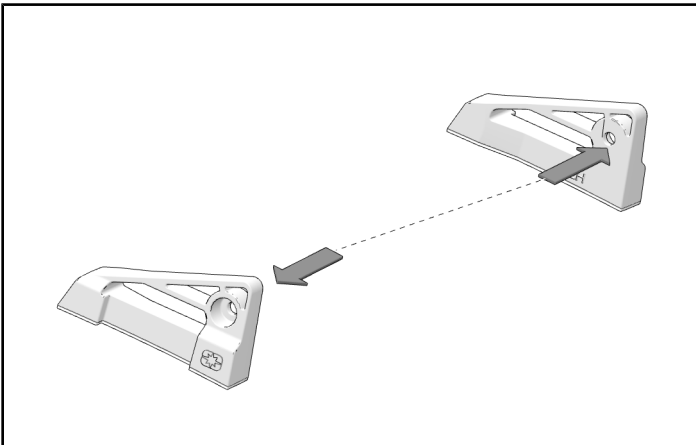
ACCESSORY INSTALLATION

INSTALL LIGHTBAR

- Install light bar on brackets using light bar instructions.

IMPORTANT

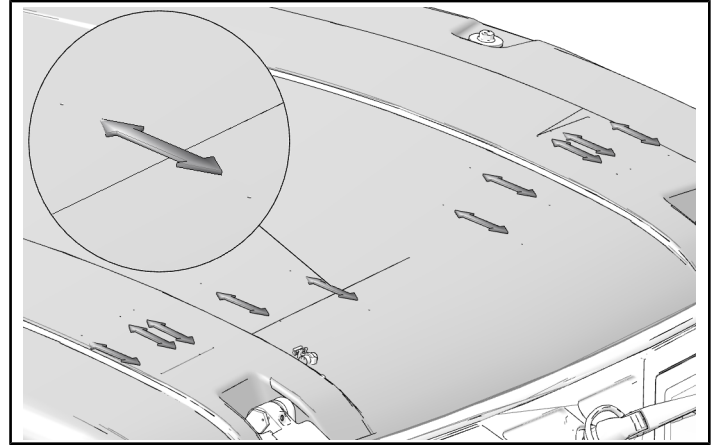
“RH” light bar bracket is passenger side. “LH” light bar bracket is drivers side.



- Measure length of light bar and bracket assembly to determine which set of pre marked holes to drill.

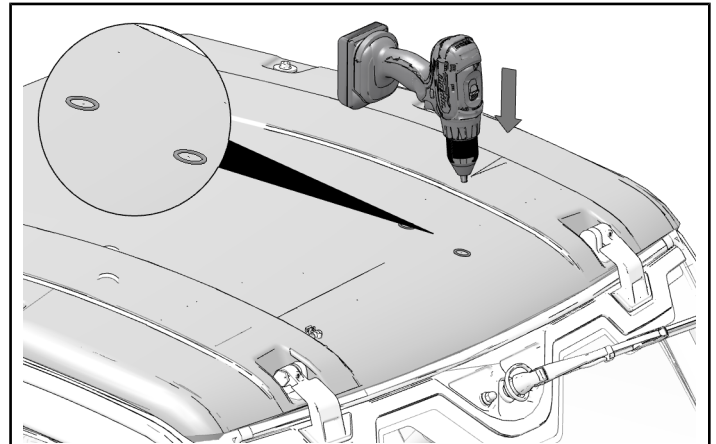
NOTICE

Multiple light bar sizes are available locate or mark correct drill points before drilling.



INSTALL LIGHT BAR RACK

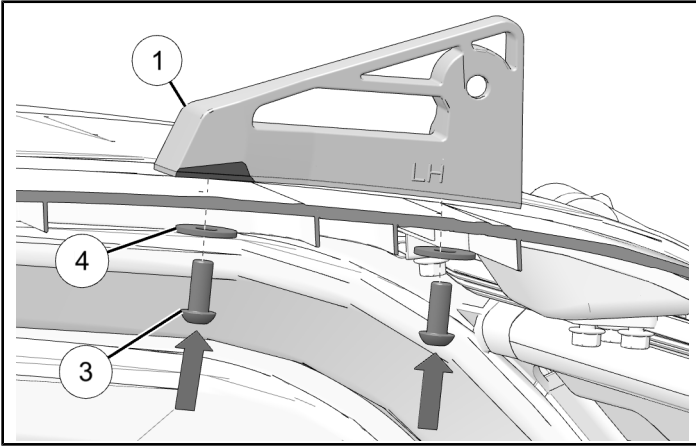
- Drill two holes 5/16” (8mm) on marked locations on the left and right drivers side of roof.



NOTICE

Parts hidden for clarity.

- Place light bar and bracket assembly ① on outside of roof panel. Loosely install washer ④ and screw ③ from underside of roof.



- Torque screws on bracket from underside of roof panel.

TORQUE

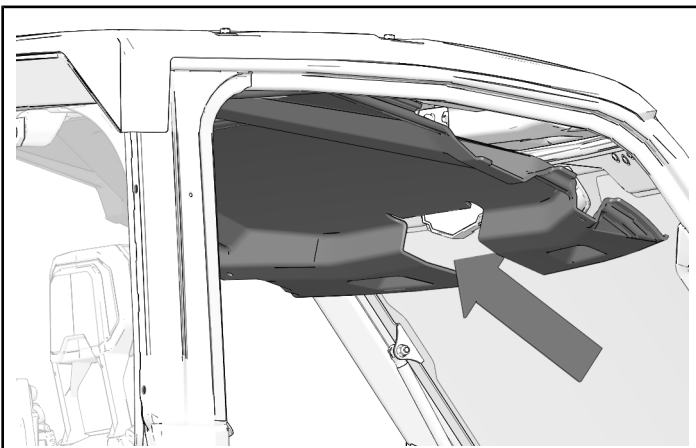
Button Head Torx™ Screws ③:
15 ft-lbs (20 N·m)

- Tighten light bar in bracket according to light bar instructions.

VEHICLE REASSEMBLY

FRONT ROOF LINER INSTALLATION

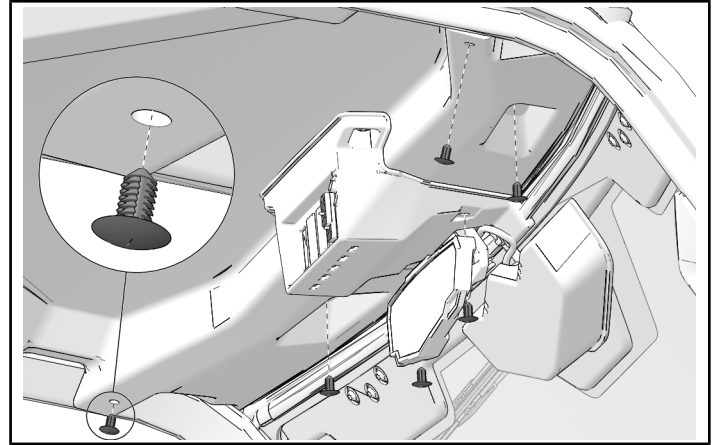
- Install rear edge of roof liner then lift front into place.



- Install six push dart clips at front of roof liner.

NOTICE

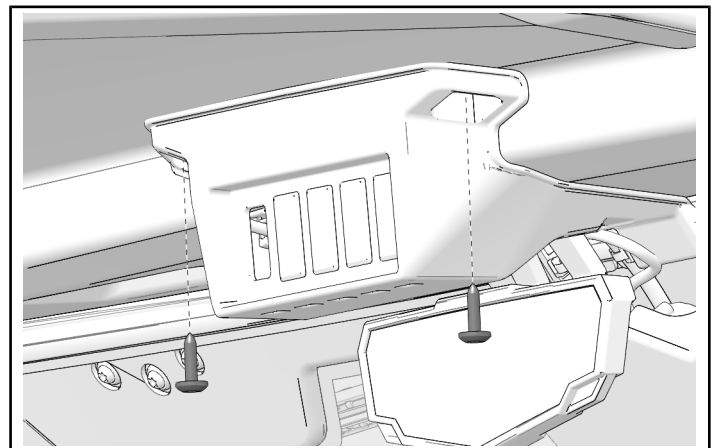
If kit contains new push dart clips, install roof liner using new push dart clips.



- If vehicle is equipped with switch panel, install switch panel with two screws. Connect any wiring necessary. Torque screws to specification.

TORQUE

Screws:
22 in-lbs (2.5 N·m)



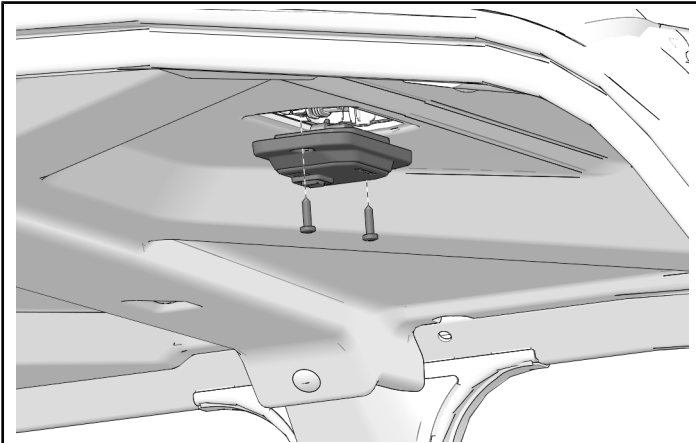
4. If vehicle is equipped with dome light, connect dome light and install onto roof liner with two screws. Torque two screws to specification

NOTICE

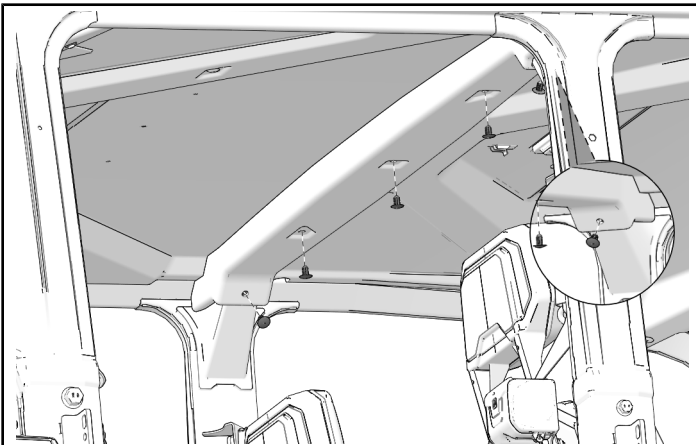
Vehicles without dome light will still have two screws.

TORQUE

Screws:
17 in-lbs (2 N·m)



5. Crew Model Only: Install five push dart clips to rear of front roof liner.



6. Three-passenger Model Only: Install two screws and two push dart clips from rear of front liner. Torque screws to specification.

TORQUE

Screws:
22 in-lbs (2.5 N·m)

