

FIXED WINDSHIELD KIT



P/N 2889086

MISSING OR DAMAGED PARTS

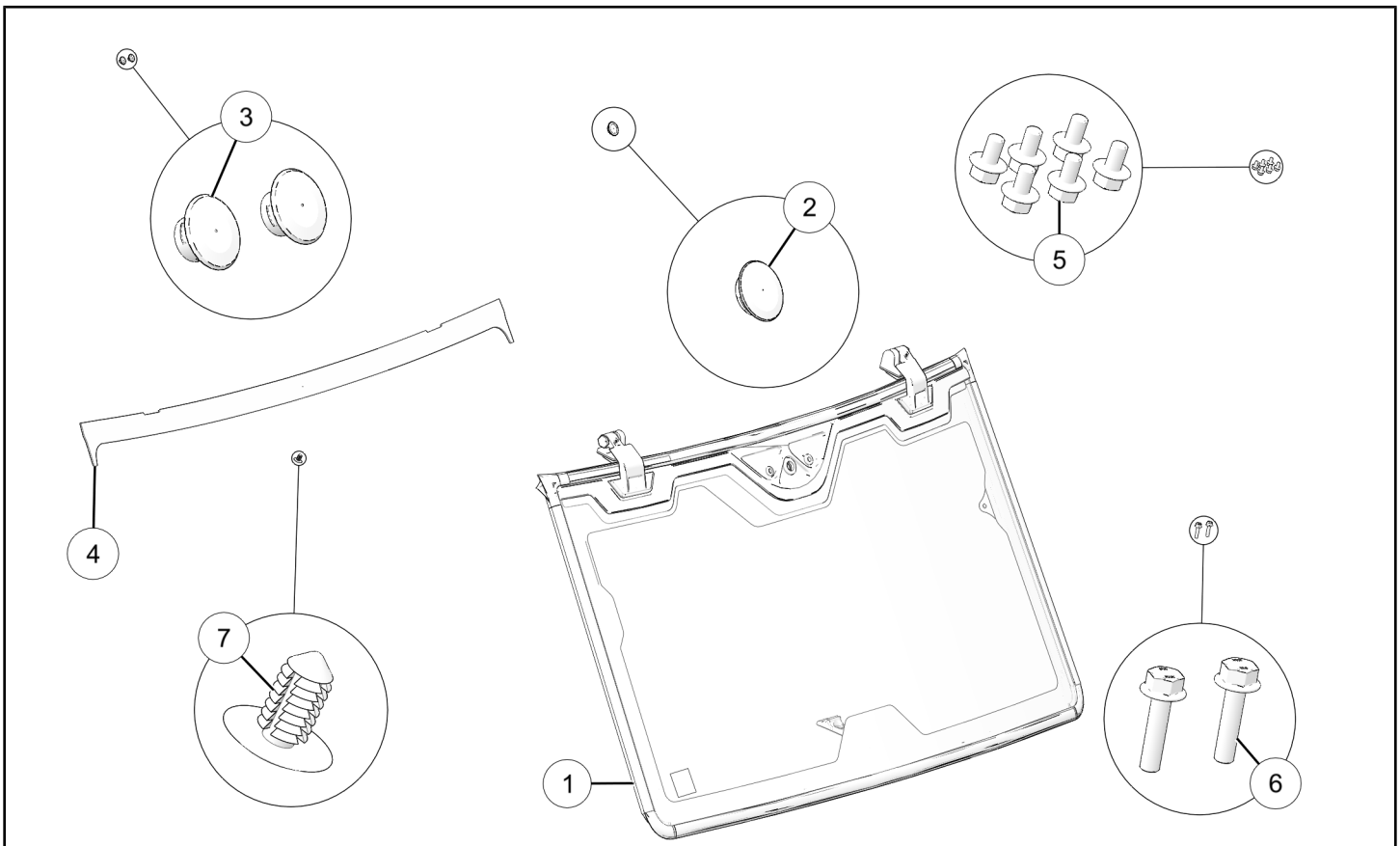
Before beginning assembly, inspect the kit and its component(s) to be sure all parts and tools are accounted for and not damaged. If missing parts or parts are damaged, please contact your Selling Dealer for assistance.

If your accessory was purchased online, please contact POLARIS® customer service at **1-800-POLARIS** (US & Canada only).

APPLICATION

Verify accessory fitment at www.polaris.com.

KIT CONTENTS



REF	QTY	PART DESCRIPTION	P/N AVAILABLE SEPARATELY	AVAILABLE SERVICE KIT
1	1	Assembly, Windshield	2639725	n/a
2	1	Plug, Windshield, Center	5465477	n/a
3	2	Plug, Windshield	5465478	n/a
4	1	Foam Seal, Visor	5815764	n/a
5	6	Screw, Hex Flange Head, M6 x 1.0 x 10 mm	7521331-10	2211848

REF	QTY	PART DESCRIPTION	P/N AVAILABLE SEPARATELY	AVAILABLE SERVICE KIT
6	2	Screw, Hex Flange Head, M6 x 1.0 x 25 mm	7521331-25	n/a
7	9	Push Dart, Nylon	7670088	n/a

TOOLS REQUIRED

- Safety Glasses
- Drill
- Drill Bit:
 - 13/32 in (10.3 mm)
- Pliers, Push Pin Rivet
- Socket Set, Metric
- Socket Set, Torx® Bit
- Torque Wrench

CONSUMABLES REQUIRED

- Isopropyl Alcohol (IPA)

IMPORTANT

Your Fixed Windshield Kit is exclusively designed for your vehicle. Please read the installation instructions thoroughly before beginning. Installation is easier if the vehicle is clean and free of debris. For your safety, and to ensure a satisfactory installation, perform all installation steps correctly in the sequence shown.

INSTALLATION INSTRUCTIONS

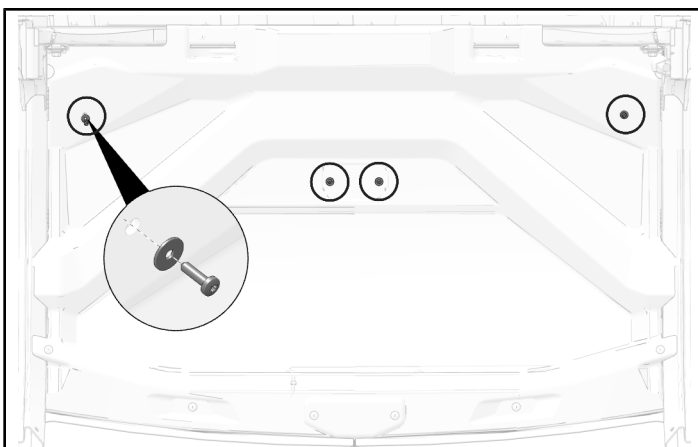
VEHICLE PREPARATION

GENERAL

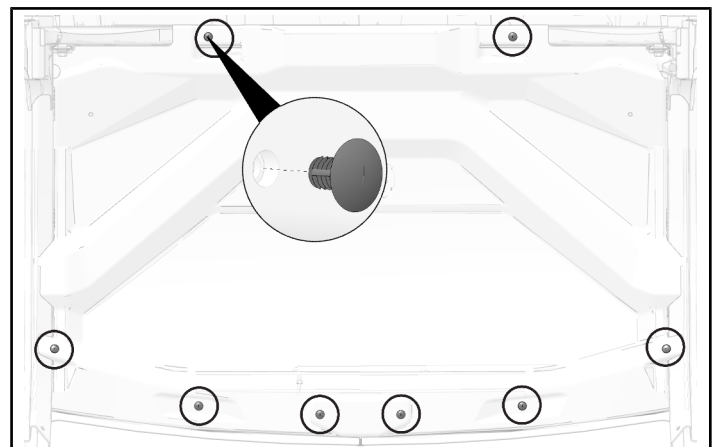
1. Park vehicle on a flat surface.
2. Shift vehicle into PARK.
3. Turn key to OFF position and remove key.

HEADLINER REMOVAL

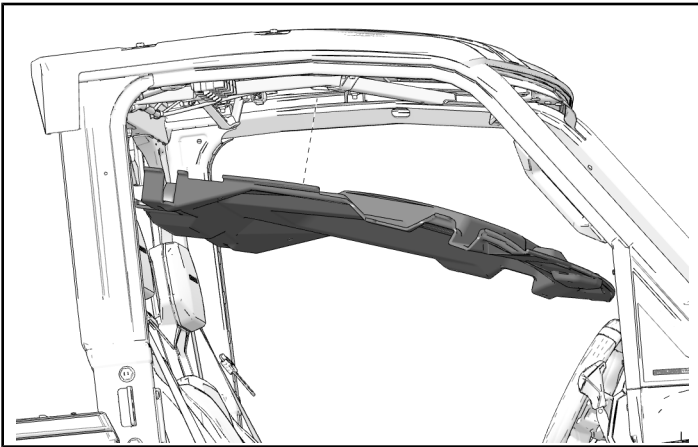
1. Remove and keep four screws and two washers from headliner, disconnect, remove and keep dome light.



2. Remove and discard eight push darts from headliner.

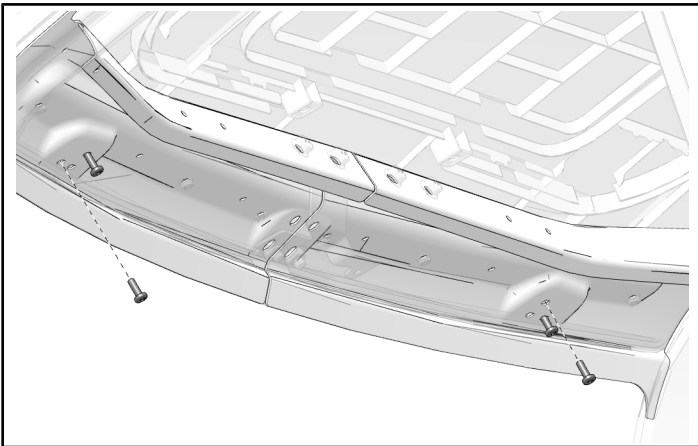


3. Remove headliner from roof and carefully set aside.

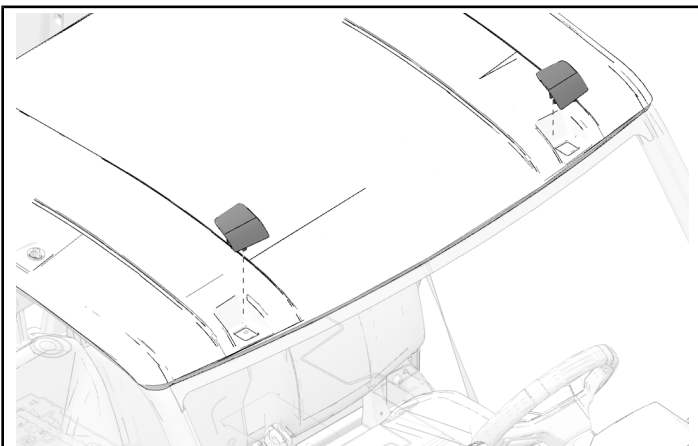


ROOF CAP REMOVAL

1. Remove four roof cap fasteners from underside of roof.

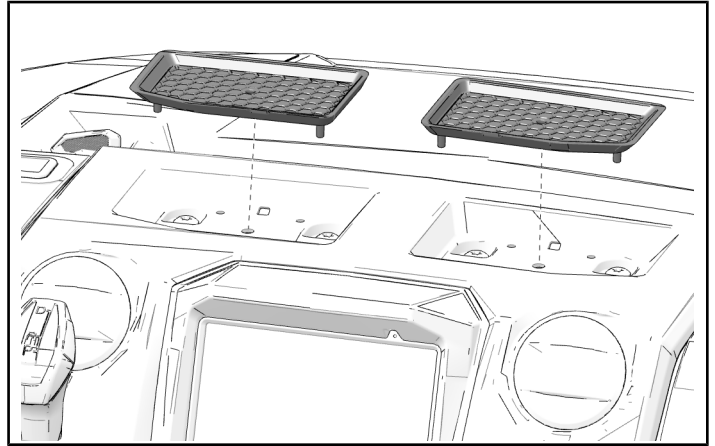


2. Remove two roof caps.



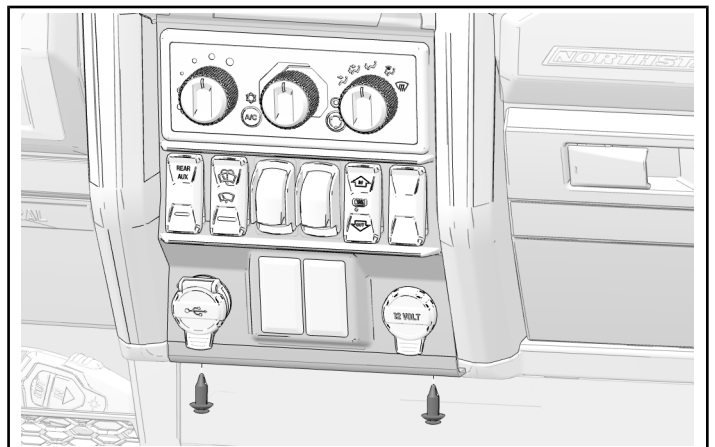
UPPER DASH TRAY REMOVAL

1. Remove two upper dash trays from upper dash.

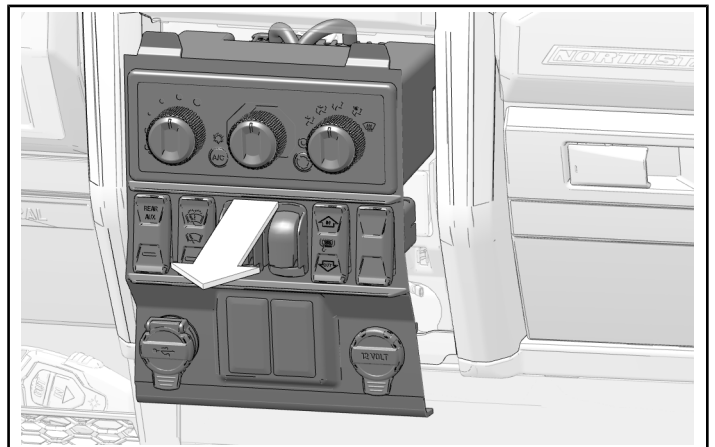


CENTER DASH HVAC CONTROL PANEL TRIM REMOVAL

1. Remove two push-pin rivets from lower edge of trim panel.

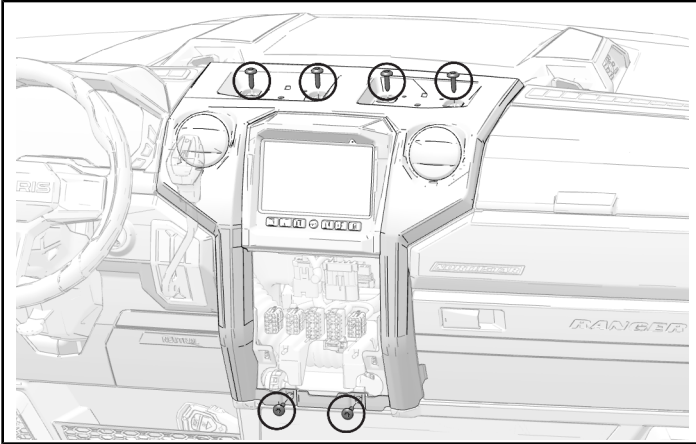


2. Remove center dash HVAC control panel trim and assembly. Disconnect any connections if needed.

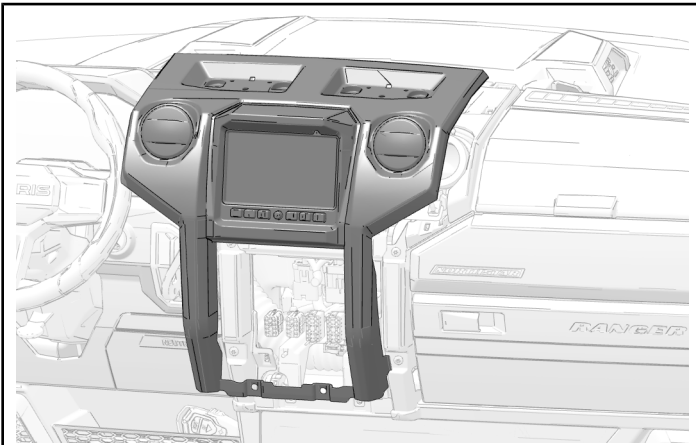


UPPER CENTER DASH TRIM REMOVAL

1. Remove four screws from top of upper center dash trim panel and two screws from lower edge of panel.



2. Lift upper center dash trim panel and disconnect any wire connectors. Remove upper center dash trim panel and carefully slide aside.

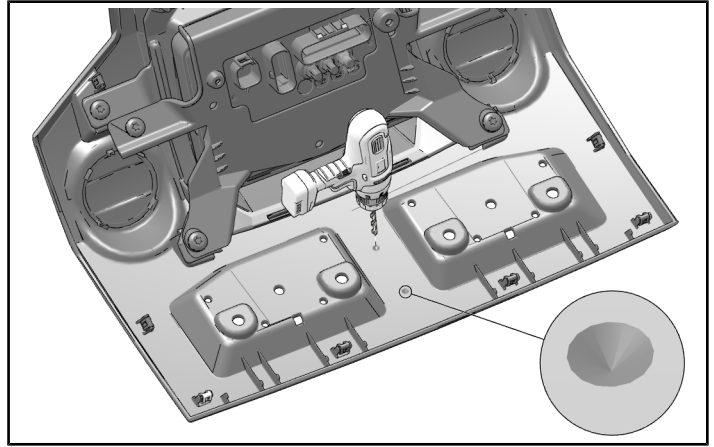


DRILL HOLES IN DASH TRIM

1. Drill two 3/8 in (10 mm) holes in dimples found in upper center dash trim.

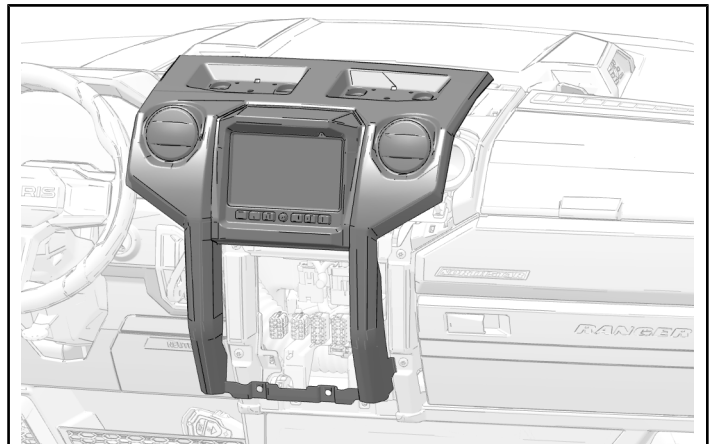
MEASUREMENT

Drill Bit Size: 3/8 in (10 mm)



UPPER CENTER DASH TRIM INSTALLATION

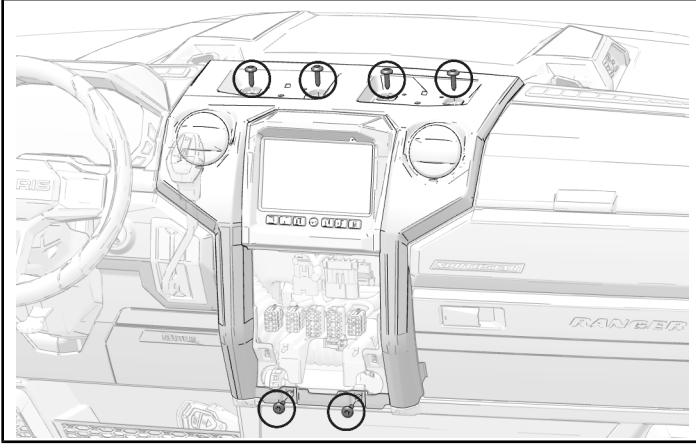
1. Install upper center dash trim panel.



- Attach upper center dash trim panel with four screws on top and two screws on lower edge of panel. Torque screws to specification.

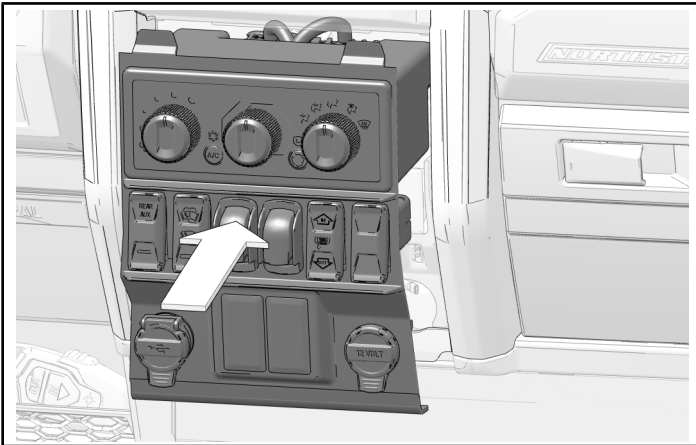
TORQUE

Dash Panel Trim Screws:
31 in-lbs (3.5 N·m)

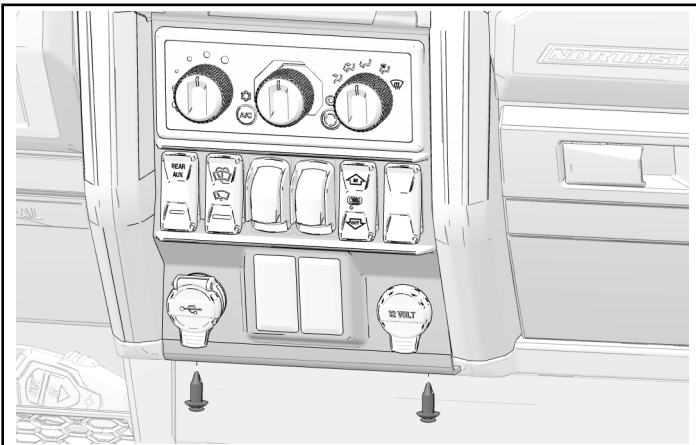


CENTER DASH HVAC CONTROL PANEL TRIM INSTALLATION

- Connect any wire connectors and install center dash HVAC control panel trim assembly.

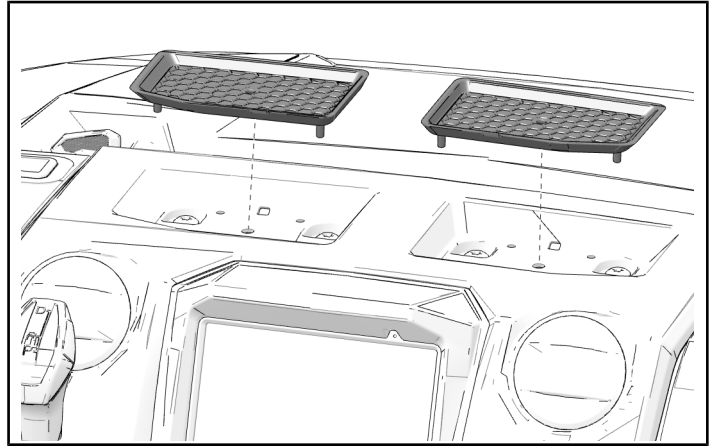


- Attach with two push-pin rivets.



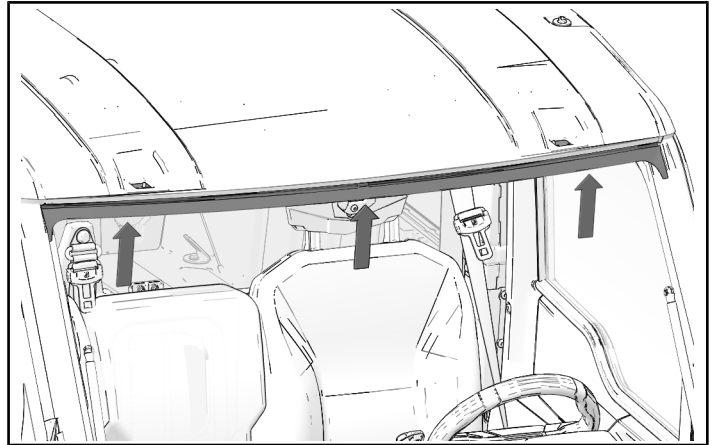
UPPER DASH TRAY INSTALLATION

- Install two upper dash trays into upper dash.



ACCESSORY INSTALLATION

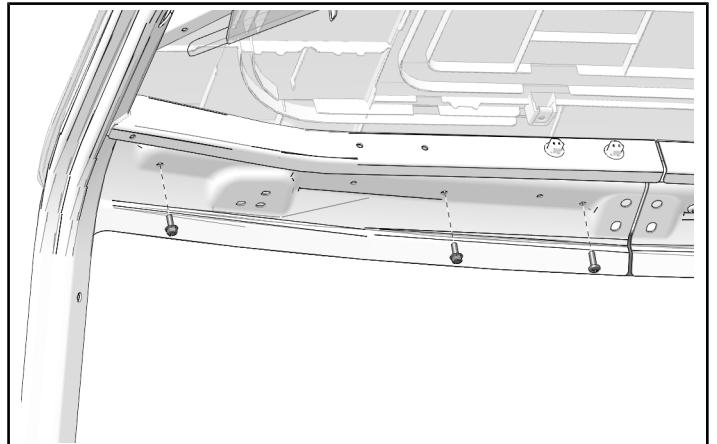
- Prepare the painted steel surface with isopropyl alcohol.



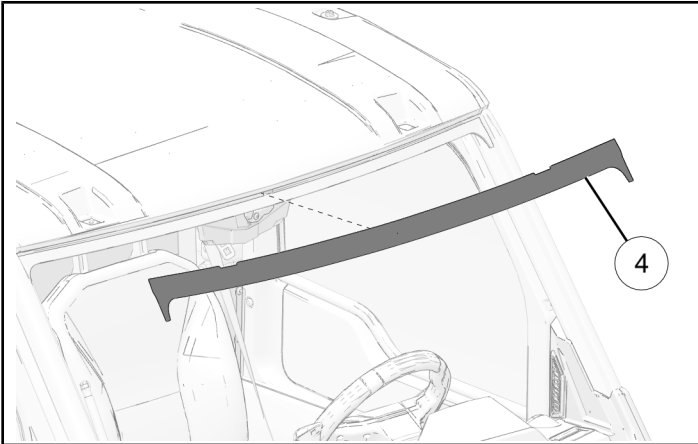
- Remove and keep three screws.

NOTICE

Left side shown; right side similar.



3. Slightly lift up roof edge and install visor seal ④ by tucking center of seal under roof edge and applying pressure starting with center moving outward.



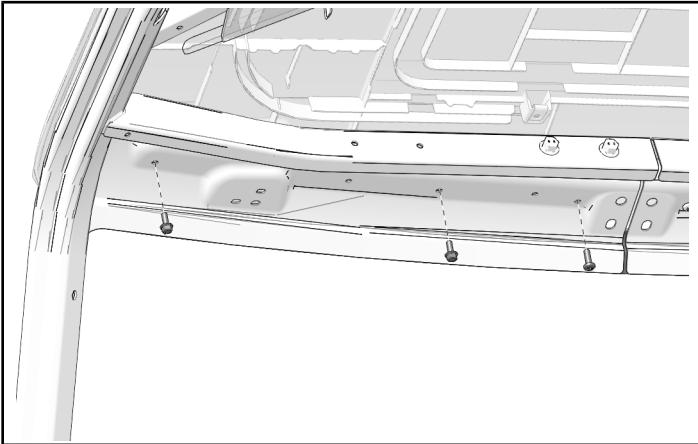
4. Install three kept screws and torque to specification.

NOTICE

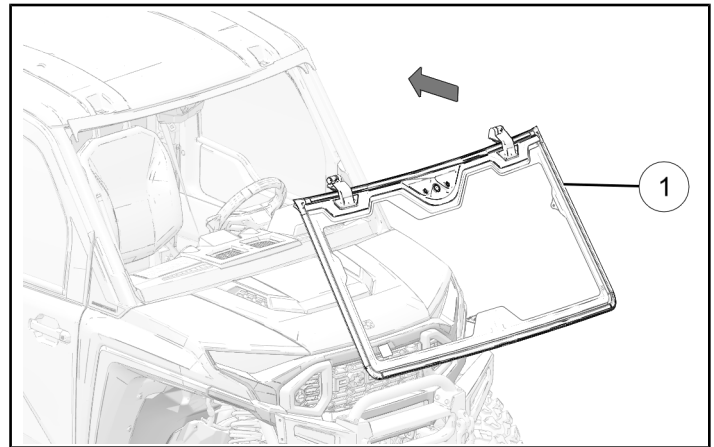
Left side shown; right side similar.

TORQUE

Screws:
22 in-lbs (2.5 N·m)



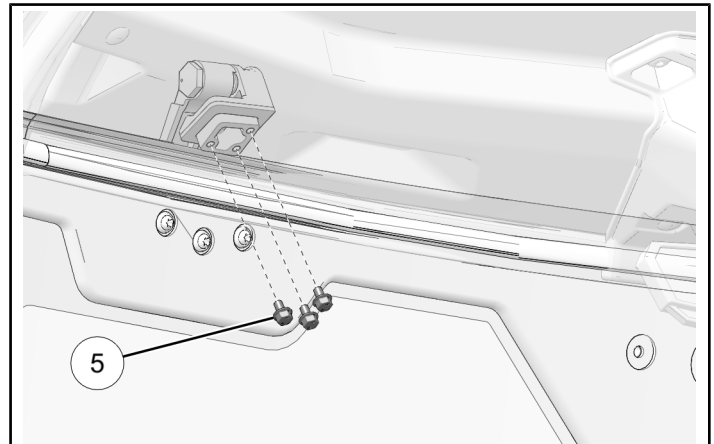
5. Place windshield ① on vehicle.



6. Loosely install three screws ⑤ to windshield.

NOTICE

Left side shown; right side similar.



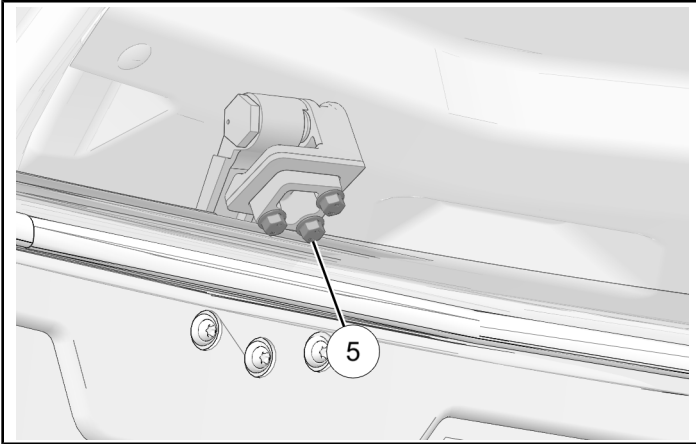
7. Torque screws ⑤ to specification.

NOTICE

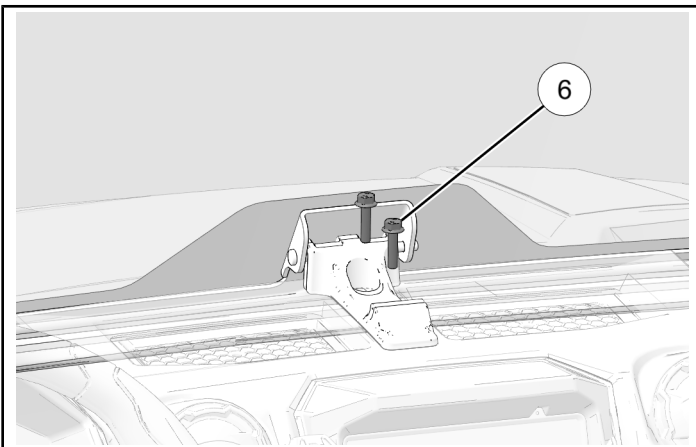
Parts of the vehicle have been hidden for clarity.

TORQUE

Screw ⑤:
106 in-lbs (12 N·m)



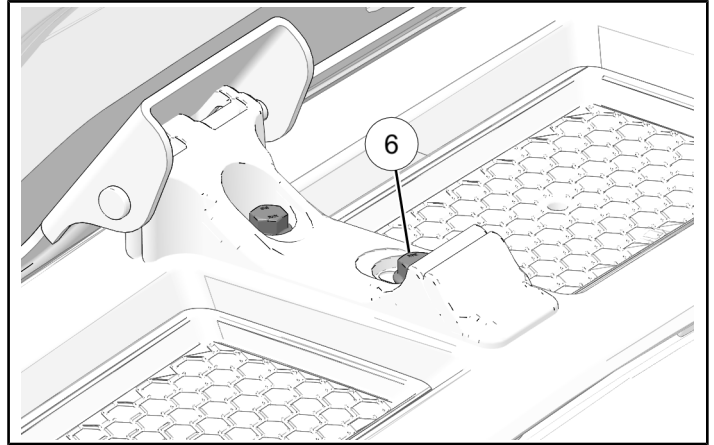
8. Install two screws ⑥ to windshield mount in the center of the dashboard area.



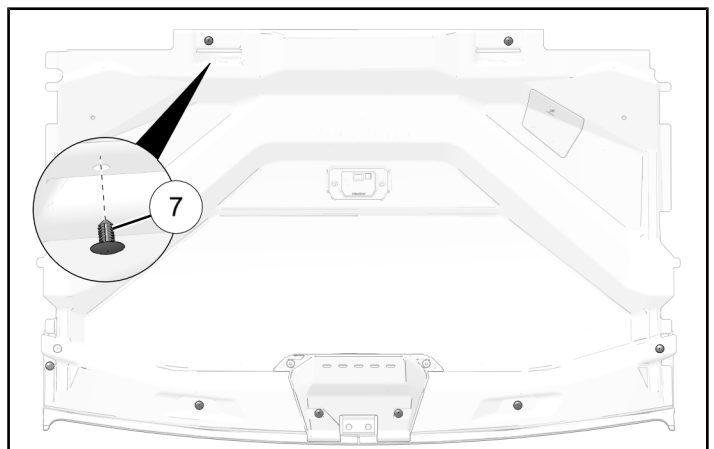
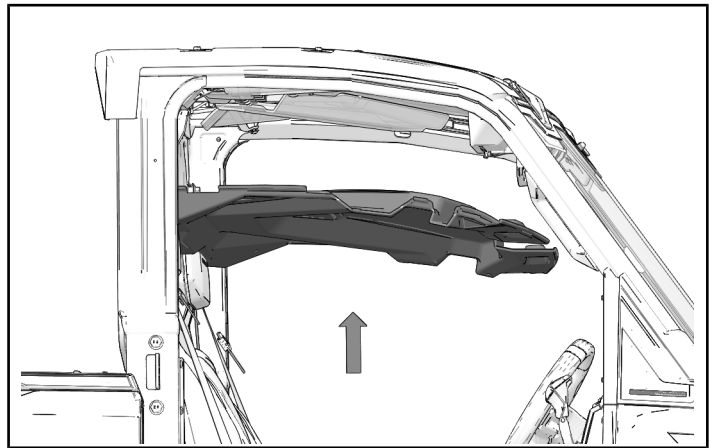
9. Torque two screws ⑥ to specification.

TORQUE

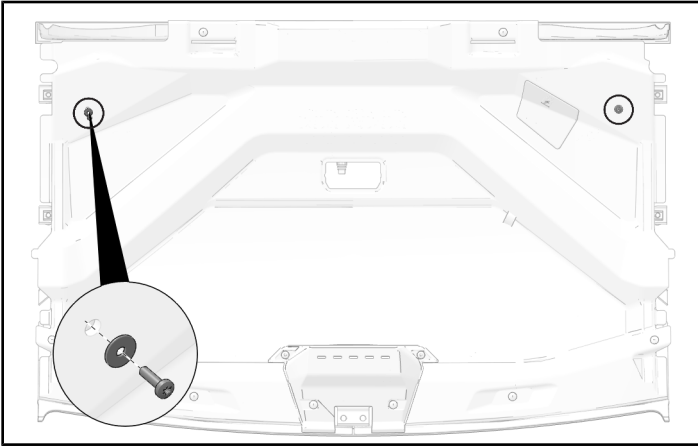
Screws ⑥:
31 in-lbs (3.5 N·m)



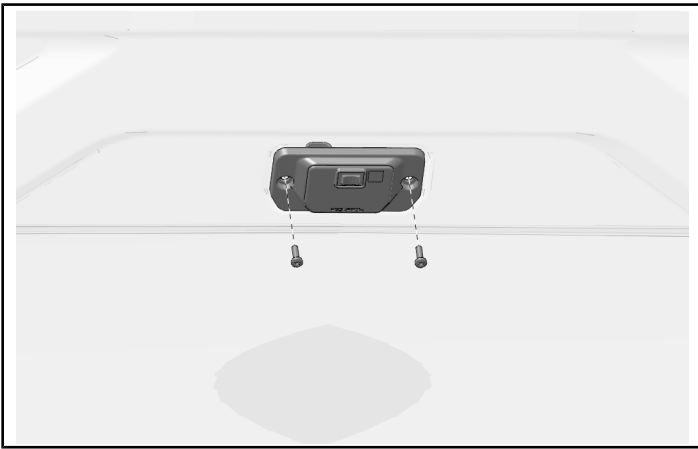
10. Install headliner to roof using eight push darts ⑦.



11. Loosely install two kept screws and washers to rear corner of headliner.



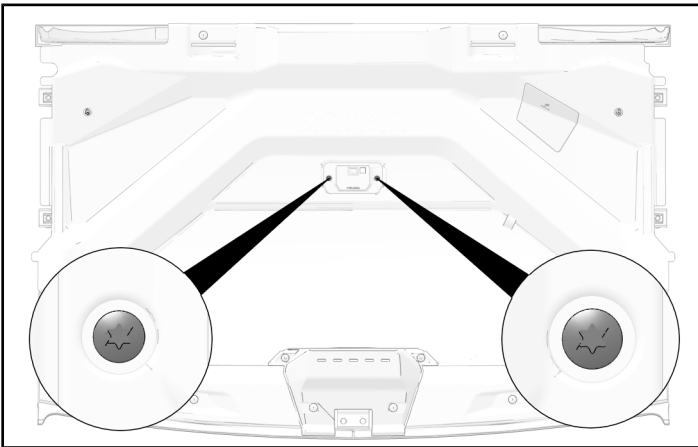
12. Connect dome light and loosely install using two kept screws.



13. Torque two dome light screws to specification.

TORQUE

**Dome Light Screws:
8.8 in-lbs (1 N·m)**



14. Torque two rear corner screws to specification.

TORQUE

**Rear Corner Screws:
22 in-lbs (2.5 N·m)**

