

BED RACK BACKBONE KIT



P/N 2889453

MISSING OR DAMAGED PARTS

Before beginning assembly, inspect the kit and its component(s) to be sure all parts and tools are accounted for and not damaged. If missing parts or parts are damaged, please contact your Selling Dealer for assistance.

If your accessory was purchased online, please contact POLARIS® customer service at **1-800-POLARIS** (US & Canada only).

APPLICATION

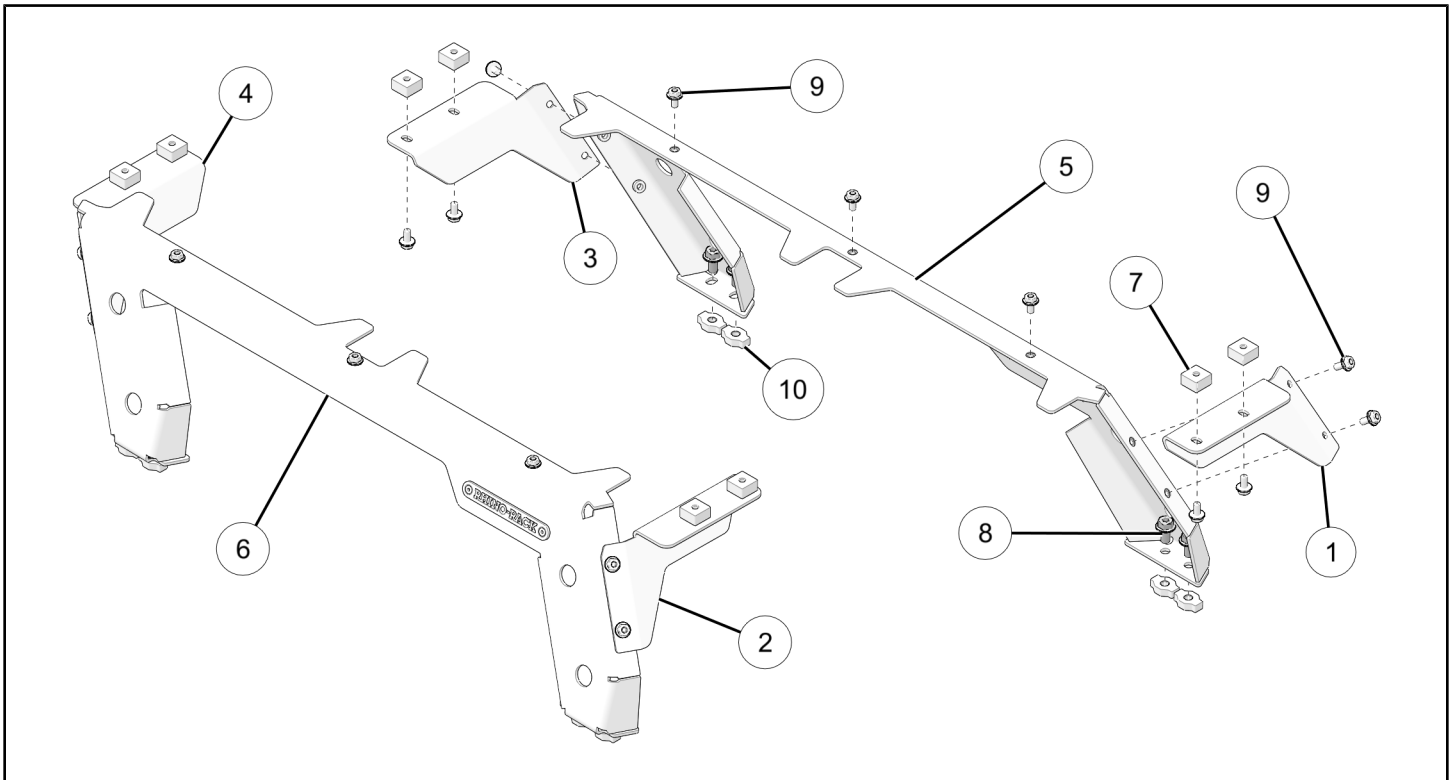
Verify accessory fitment at www.polaris.com.

REQUIRED SOLD SEPARATELY

Only parts for installation of the Bed Rack Backbone Kit are included. For complete installation, the following additional kit is required (sold separately):

- Platform Rack Kit, P/N 2889590

KIT CONTENTS



REF	QTY	PART DESCRIPTION	P/N AVAILABLE SEPARATELY	AVAILABLE SERVICE KIT
1	1	Front Brace, Left	n/a	n/a
2	1	Front Brace, Right	n/a	n/a
3	1	Rear Brace, Left	n/a	n/a
4	1	Rear Brace, Right	n/a	n/a

REF	QTY	PART DESCRIPTION	P/N AVAILABLE SEPARATELY	AVAILABLE SERVICE KIT
5	1	Backbone, Right	n/a	n/a
6	1	Backbone, Left	n/a	n/a
7	8	Nut, Channel M6 20 x 20 x 11 mm	n/a	2209725
8	8	Screw, Hex Flange M8 x 1.25 x 16 mm	n/a	2209725
9	22	Screw, Hex Flange M6 x 1.0 x 12 mm	n/a	2209725
10	8	T-Nut M8 x 1.25 mm	7548065	2209725

TOOLS REQUIRED

- Safety Glasses
- Socket Set, Metric
- Socket Set, Torx® Bit
- Torque Wrench
- Wrench Set, Metric
- Wrench Set, Metric, Crowfoot
- Torque Tool (included with *Platform Rack Kit*, P/N 2889590)
- 10 mm Socket, 1/4 in drive (included with *Platform Rack Kit*, P/N 2889590)

IMPORTANT

Your Bed Rack Backbone Kit is exclusively designed for your vehicle. Please read the installation instructions thoroughly before beginning. Installation is easier if the vehicle is clean and free of debris. For your safety, and to ensure a satisfactory installation, perform all installation steps correctly in the sequence shown.

INSTALLATION INSTRUCTIONS

VEHICLE PREPARATION

GENERAL

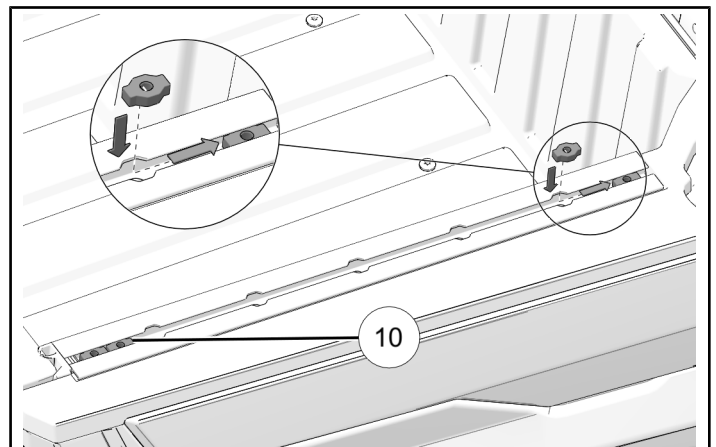
1. Park vehicle on a flat surface.
2. Shift vehicle into PARK.
3. Turn key to OFF position and remove key.

ACCESSORY INSTALLATION

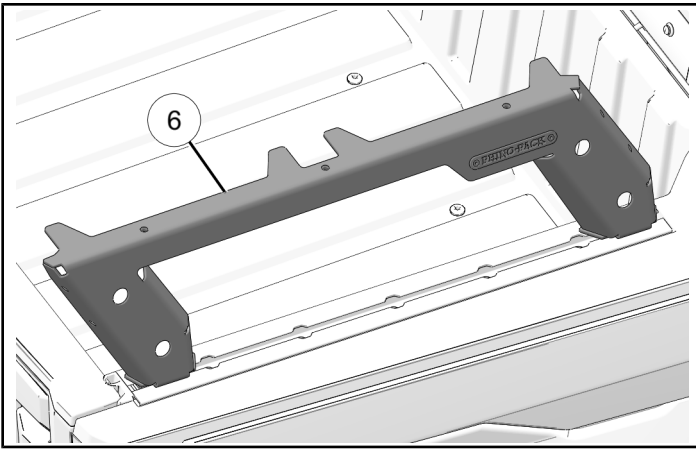
1. Install four T-nuts ⑩ in each box rail. Turn T-nuts 90 degrees so they will properly clamp to rail when tightened.

NOTICE

Right side shown; left side similar.

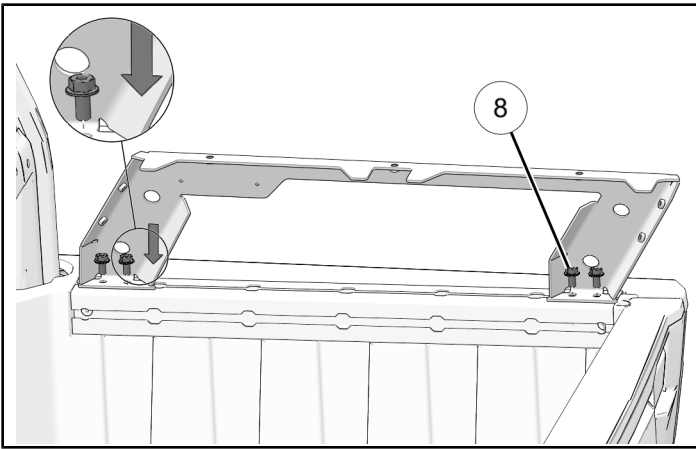


2. Place backbone ⑥ on top of the box rail.

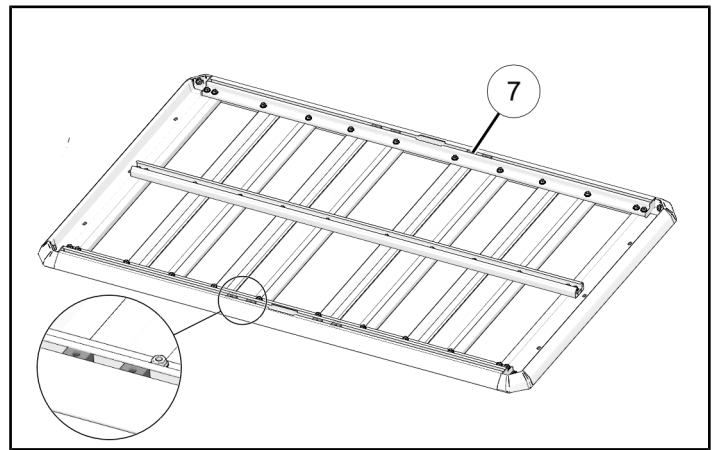
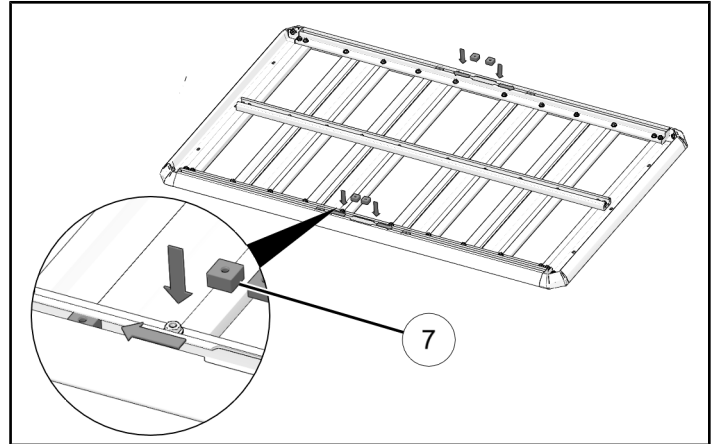


3. Loosely install four screws ⑧.

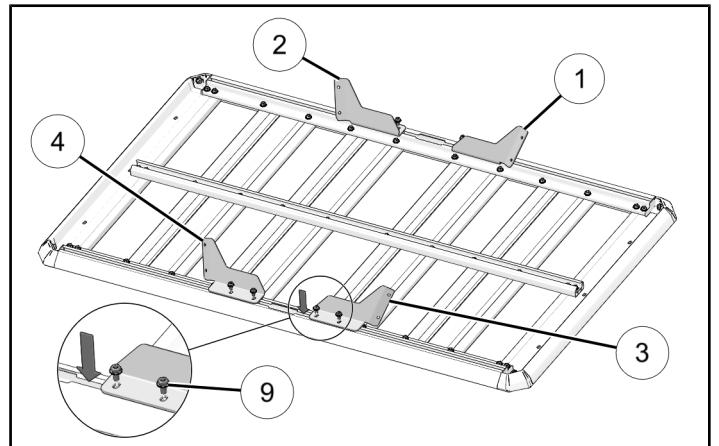
DO NOT torque fasteners at this time.



4. Turn bottom side of platform rack face up. Insert eight channel nuts ⑦ through the large center slot into rack. Slide two channel nuts toward each corner of the rack.



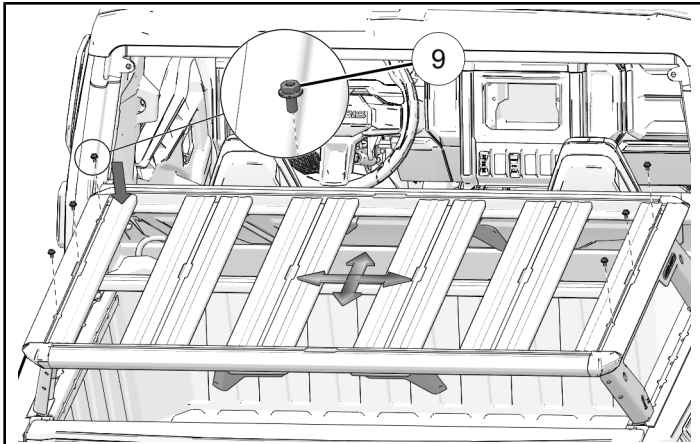
5. Install front ①, ② and rear ③, ④ braces on rack. Use two screws ⑨ to attach each brace. Tighten screws enough that braces do not slide when rack is flipped over.



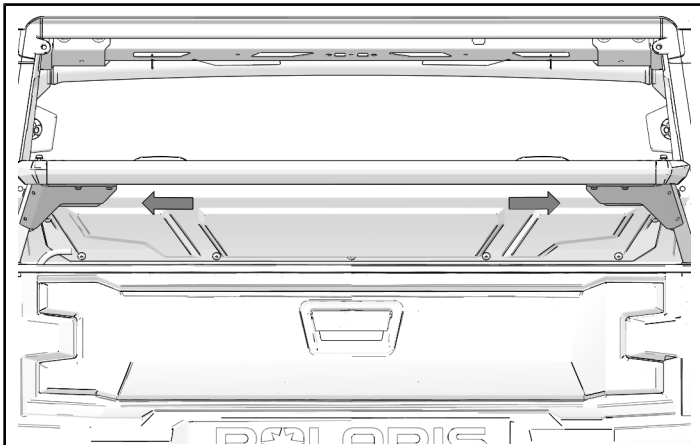
6. Flip rack over and place on backbones. Adjust rack to line up mounting holes with holes in backbones. Install six screws ⑨. Torque screws to specification. Use torque tool included with platform kit to tighten screws.

TORQUE

Screws ⑨:
53 in-lbs (6 N·m)



7. Slide front and rear braces out toward backbones until holes in braces line up with holes in backbones.



8. Install two screws ⑨ in each brace. Torque screws to specification. Use torque wrench to tighten screws.

NOTICE

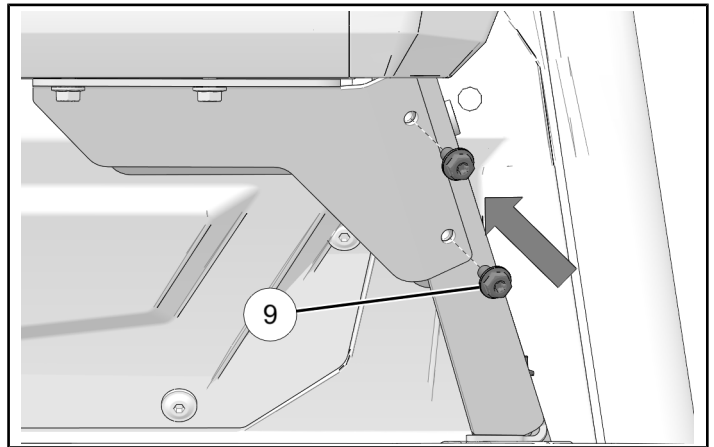
Right rear brace shown; others similar.

NOTICE

Do not use torque tool included with platform kit to tighten screws ⑨.

TORQUE

Screws ⑨:
71 in-lbs (8 N·m)



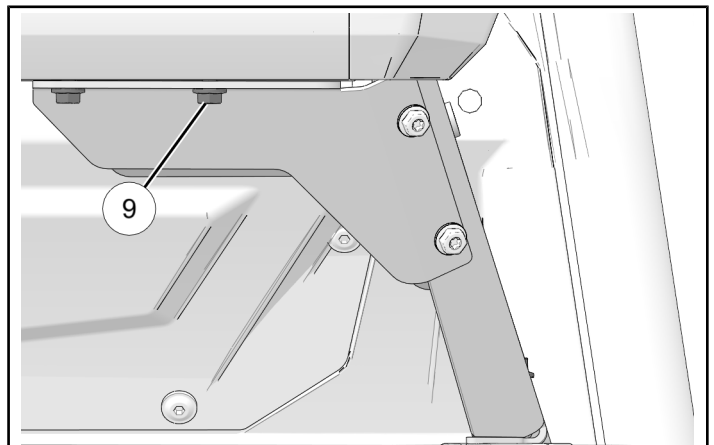
9. Torque screws ⑨ that hold braces to rack to specification. Use torque wrench to tighten screws.

NOTICE

Do not use torque tool included with platform kit to tighten screws ⑨.

TORQUE

Screws ⑨:
71 in-lbs (8 N·m)



10. Torque eight screws ⑧ that hold backbones to rails to specification.

TORQUE

Screws ⑧:
88 in-lbs (10 N·m)

