

PLATFORM RACK BACKBONE KIT



P/N 2889450; 2889451; 2889452

BEFORE YOU BEGIN

Read these instructions and check to be sure all parts and tools are accounted for. Please retain these installation instructions for future reference and parts ordering information.

APPLICATION

Verify accessory fitment at www.polaris.com.

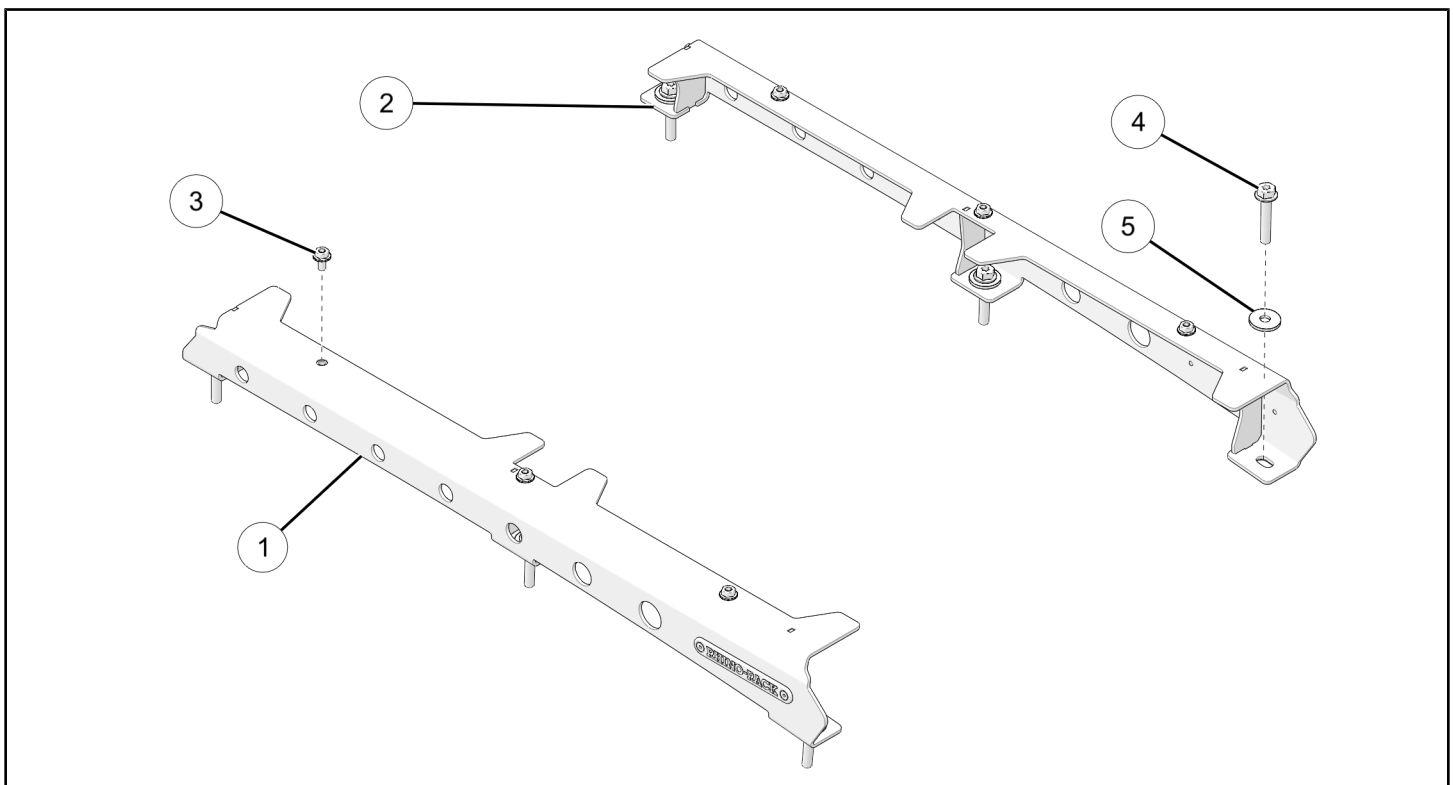
REQUIRED SOLD SEPARATELY

Only parts for installation of the Platform Rack Backbone Kit are included. For complete installation, one of the following additional kits is required (sold separately):

- *Crew Roof Platform Rack*, P/N 2889237 (for backbone kits P/N 2889451 or 2889452)
- *Two-Seat Roof Platform Rack*, P/N 2889590 (for backbone kit P/N 2889450)

KIT CONTENTS

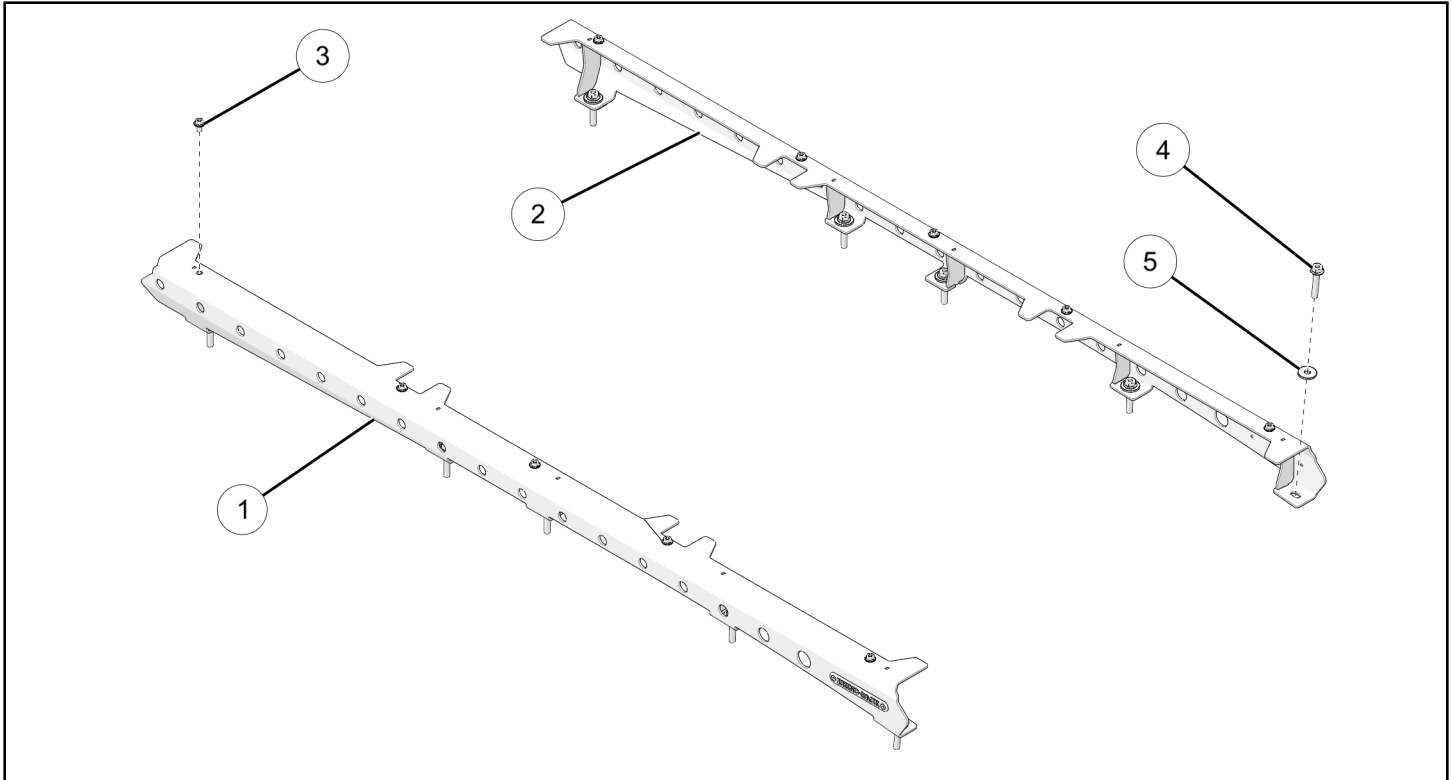
PLATFORM ROOF RACK BACKBONE, 2-PASSENGER P/N 2889450



REF	QTY	PART DESCRIPTION	P/N AVAILABLE SEPARATELY	AVAILABLE SERVICE KIT
1	1	Backbone, 2 Door, RH	n/a	n/a
2	1	Backbone, 2 Door, LH	n/a	n/a
3	6	Screw, Hex Flange Head M6 x 1.0 x 12 mm	n/a	2209724

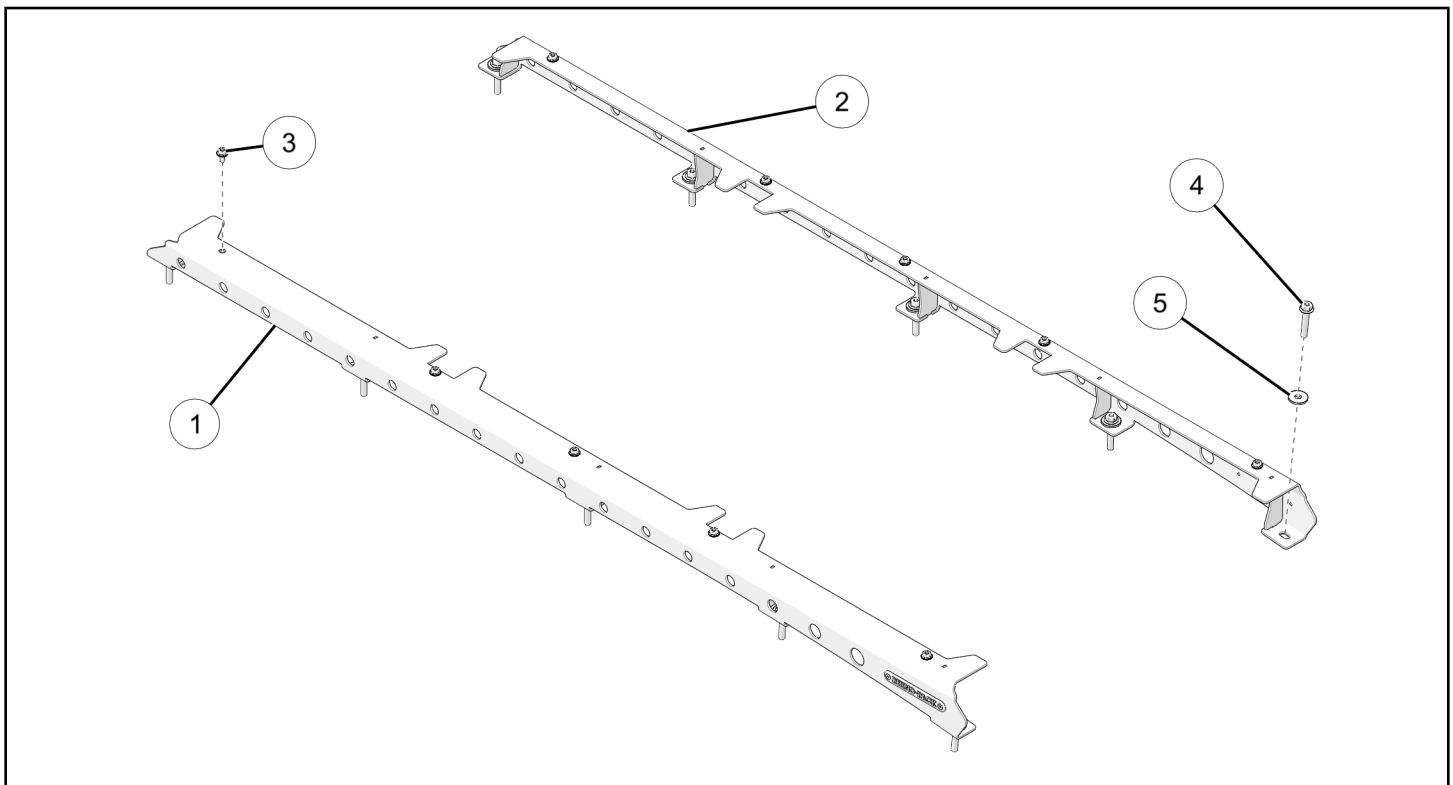
REF	QTY	PART DESCRIPTION	P/N AVAILABLE SEPARATELY	AVAILABLE SERVICE KIT
4	6	Screw, Hex Flange Head M8 x 1.25 x 45 mm	n/a	2209724
5	6	Washer, Sealing	n/a	2209723

PLATFORM ROOF RACK BACKBONE, 2-PASSENGER, ADV P/N 2889451



REF	QTY	PART DESCRIPTION	P/N AVAILABLE SEPARATELY	AVAILABLE SERVICE KIT
1	1	Backbone, 2 Door, ADV, RH	n/a	n/a
2	1	Backbone, 2 Door, ADV, LH	n/a	n/a
3	10	Screw, Hex Flange Head M6 x 1.0 x 12 mm	n/a	2209724
4	10	Screw, Hex Flange Head M8 x 1.25 x 45 mm	n/a	2209724
5	10	Washer, Sealing	n/a	2209723

PLATFORM ROOF RACK BACKBONE, MULTI-PASSENGER P/N 2889452



REF	QTY	PART DESCRIPTION	P/N AVAILABLE SEPARATELY	AVAILABLE SERVICE KIT
1	1	Backbone, Crew, RH	n/a	n/a
2	1	Backbone, Crew, LH	n/a	n/a
3	10	Screw, Hex Flange Head M6 x 1.0 x 12 mm	n/a	2209724
4	10	Screw, Hex Flange Head M8 x 1.25 x 45 mm	n/a	2209724
5	10	Washer, Sealing	n/a	2209723

TOOLS REQUIRED

- Safety Glasses
- Screwdriver Set, Torx®
- Socket Set, Metric
- Socket Set, Torx® Bit
- Torque Wrench
- Wrench Set, Metric
- Torque Tool (included with Platform Rack Kit)

IMPORTANT

Your Platform Rack Backbone Kit is exclusively designed for your vehicle. Please read the installation instructions thoroughly before beginning. Installation is easier if the vehicle is clean and free of debris. For your safety, and to ensure a satisfactory installation, perform all installation steps correctly in the sequence shown.

INSTALLATION INSTRUCTIONS

VEHICLE PREPARATION

GENERAL

1. Park vehicle on a flat surface.
2. Shift vehicle into PARK.

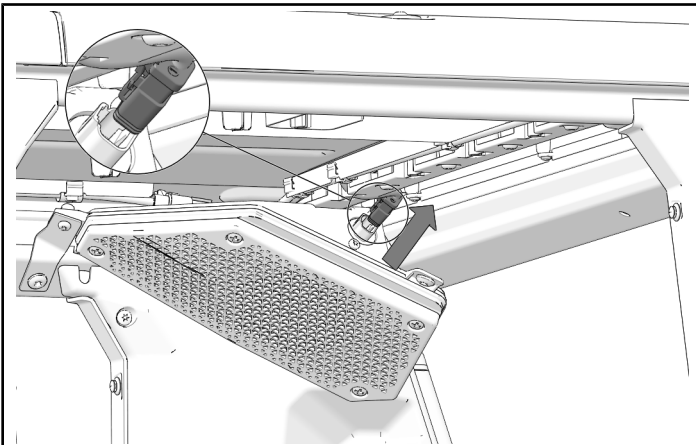
3. Turn key to OFF position and remove key.

REAR SPEAKER REMOVAL

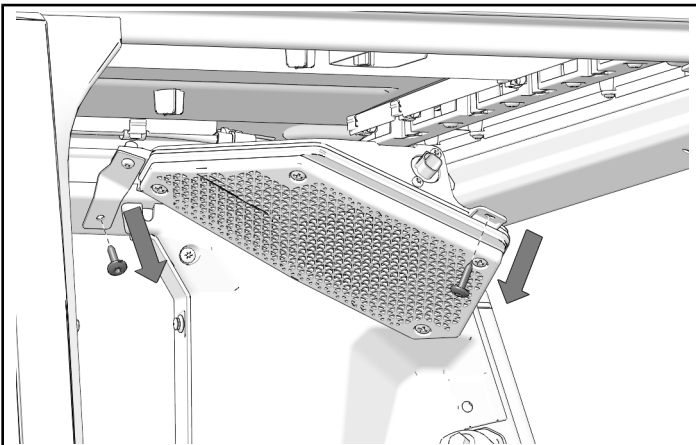
1. Disconnect wiring harness from the rear speaker.

NOTICE

Right side shown, left side similar.

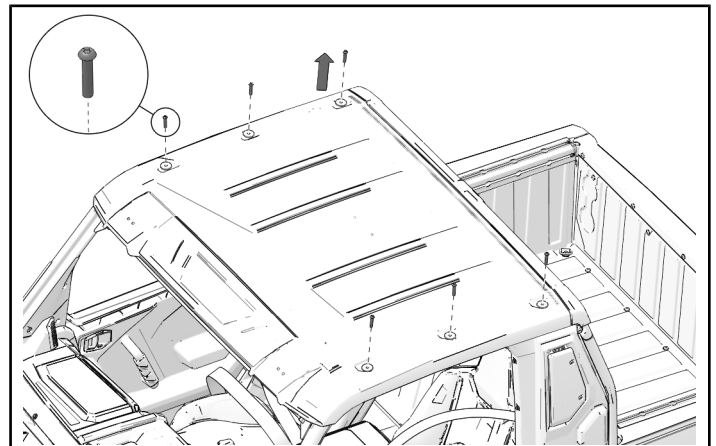
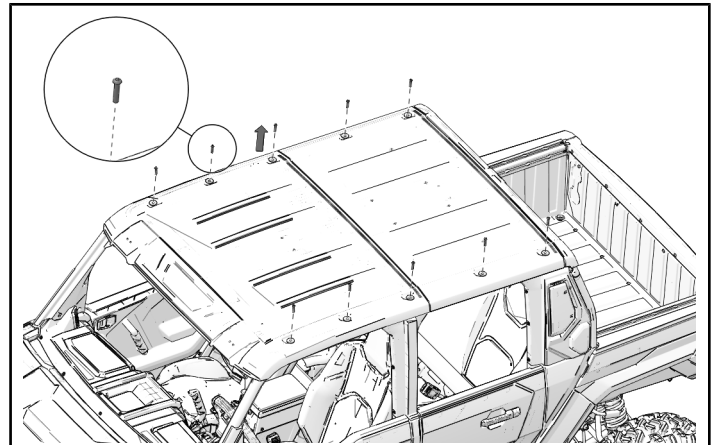


2. Remove and keep two screws. Remove the speaker.



ACCESSORY INSTALLATION

1. For multi-passenger and 2-passenger ADV models, remove 10 screws and washers from the roof. For 2-passenger models, remove 6 screws and washers from the roof. Do not remove the spacers under the screws.

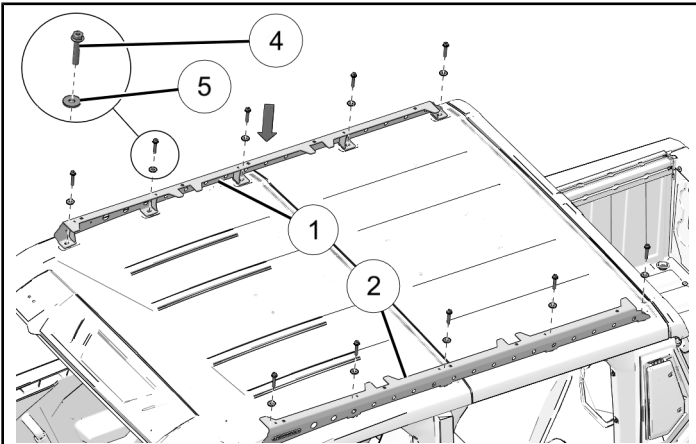


2. Install right ① and left ② backbones. Install screws ④ and washers ⑤. Make sure that the rubber side of the washers faces downward.

DO NOT torque fasteners at this time.

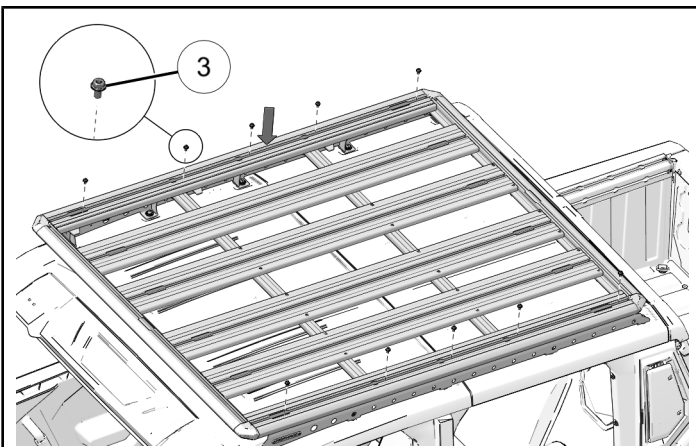
NOTICE

Multi-passenger model shown; others similar.



3. Install platform rack on the top of the backbones. Loosely install 10 screws ③.

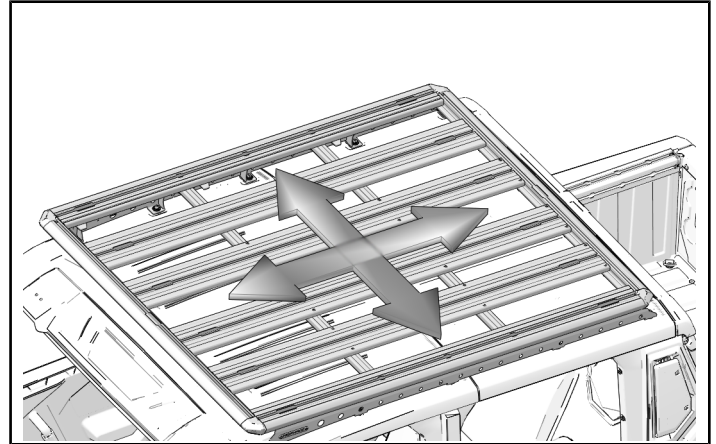
DO NOT torque fasteners at this time.



4. Adjust position of platform rack as needed. Torque screws ③ to specification. Use the torque tool that was provided with the platform rack.

TORQUE

Screws ③:
53 in-lbs (6 N·m)



5. Torque screws ④ to specification.

TORQUE

Screws ④:
88 in-lbs (10 N·m)

TIP

If vehicle is equipped with roof liner, it may be necessary to pull the side of the roof liner down to hold the weld nut for the screws.

VEHICLE REASSEMBLY

REAR SPEAKER INSTALLATION

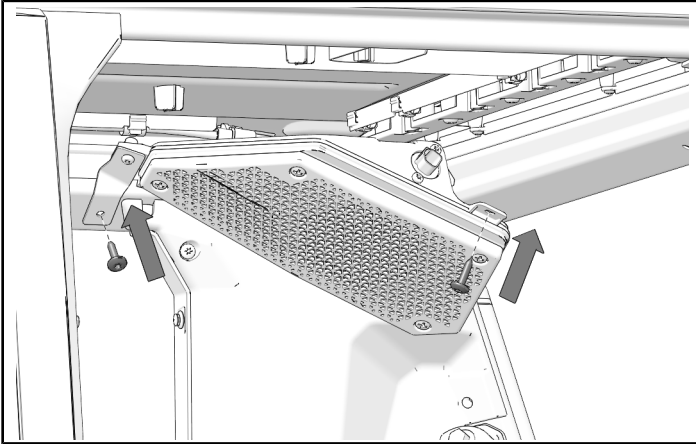
1. Install speaker using the kept screws. Torque screws to specification.

TORQUE

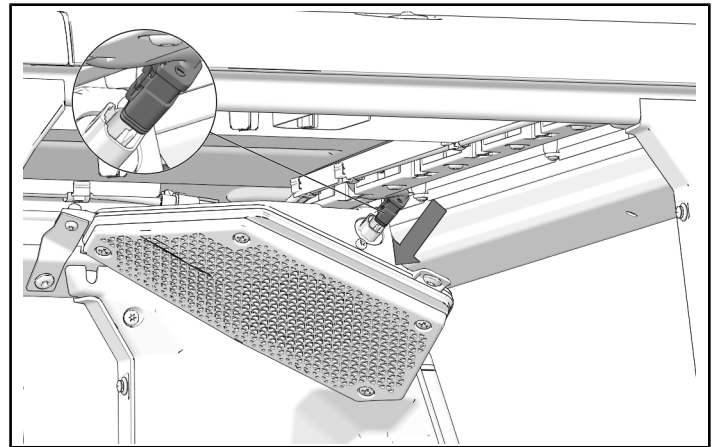
Speaker Mounting Screws:
53 in-lbs (6 N·m)

NOTICE

Right side shown, left side similar.



2. Connect the wiring harness to the speaker.



INSTRUCTION FEEDBACK FORM

A feedback form has been created for the installer to provide any comments, questions or concerns about the installation instructions. The form is viewable on mobile devices by scanning the QR code or by clicking [HERE](#) if viewing on a PC.

