

RIDE COMMAND LITE



P/N 2890118

MISSING OR DAMAGED PARTS

Before beginning assembly, inspect the kit and its component(s) to be sure all parts and tools are accounted for and not damaged. If missing parts or parts are damaged, please contact your Selling Dealer for assistance.

If your accessory was purchased online, please contact POLARIS® customer service at **1-800-POLARIS** (US & Canada only).

APPLICATION

Verify accessory fitment at www.polaris.com.

REQUIRED SOLD SEPARATELY

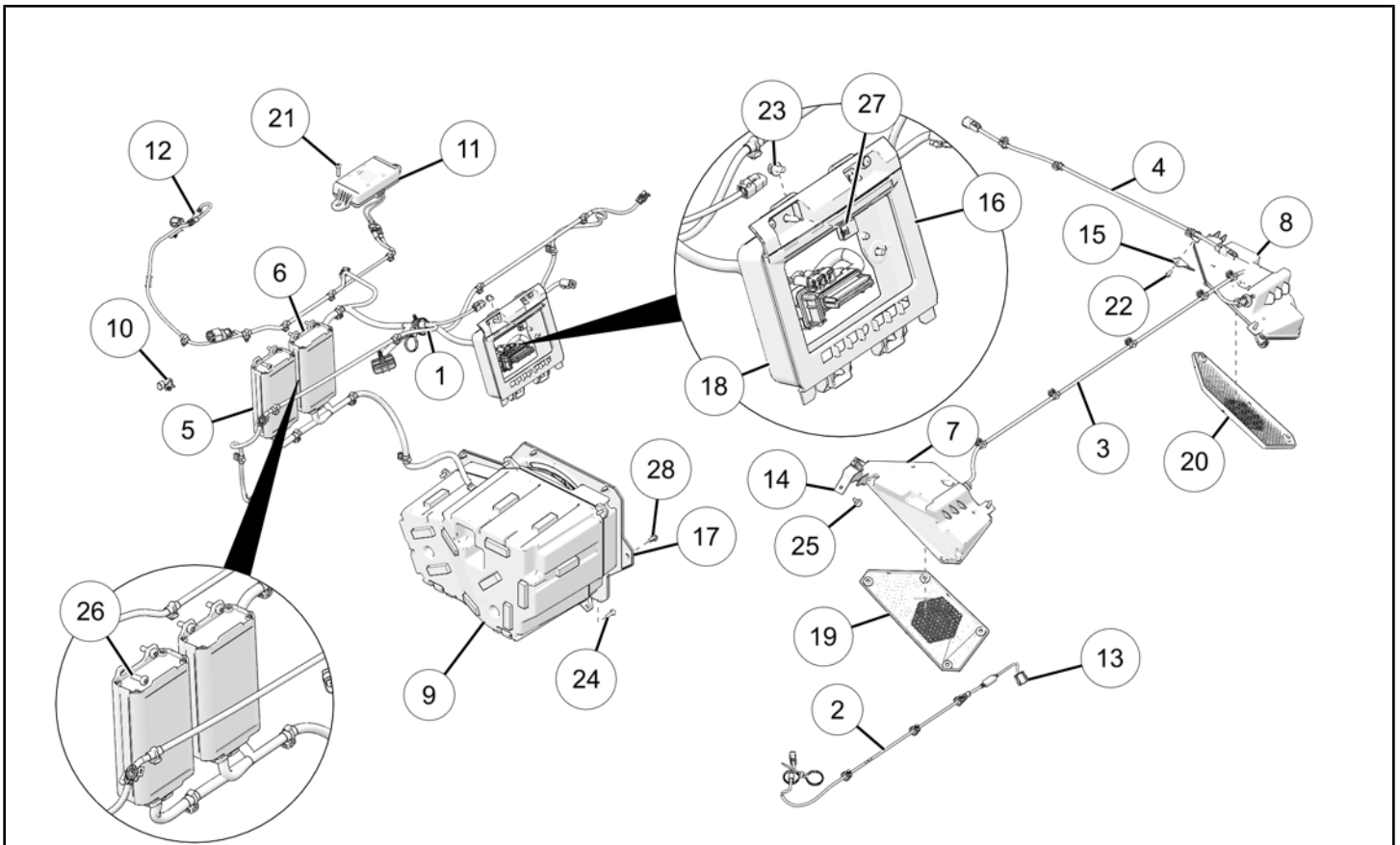
Only parts for installation of the Ride Command Lite are included. For complete installation, the following additional kit is required (sold separately):

- *Ride Command Display Kit, P/N 2884072*

Prior installation of the following additional kits are also required (sold separately):

- *ROPS Harness Kit, P/N 2885170*

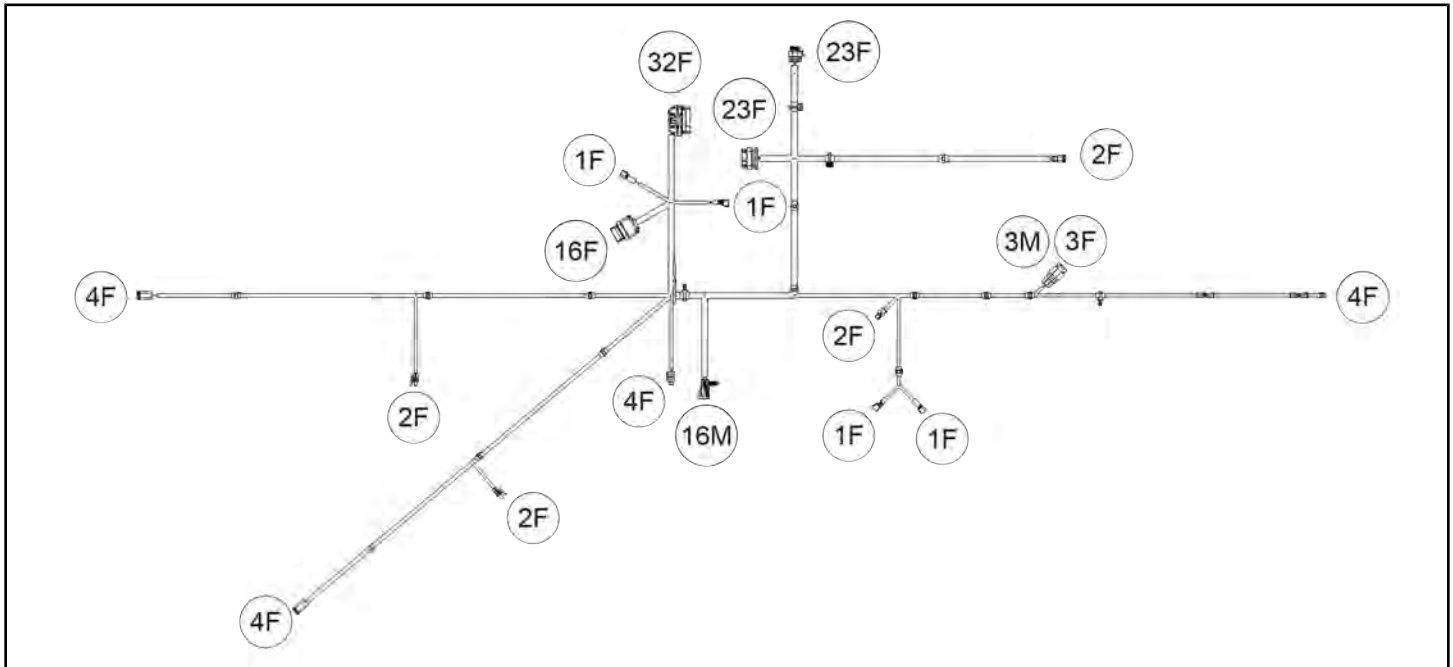
KIT CONTENTS



REF	QTY	PART DESCRIPTION	P/N AVAILABLE SEPARATELY
1	1	Harness, Infotainment	2415235
2	2	Harness, Tailgate, Camera	2415320
3	2	Harness, Audio, Rear	2415566
4	1	Harness, Audio, Rear, Exterior	2415567
5	1	Amp, 4-Channel, 200 W	2415721
6	1	Amp, Mono, 300 W	2415722
7	2	Speaker, Rear, Left	2417081
8	2	Speaker, Rear, Right	2417082
9	1	Speaker, Subwoofer	2417083
10	2	Sensor-gauge	4018205
11	1	Antenna, GPS	4019300
12	1	Camera, Front, Wide Angle	4019855
13	2	Camera, Rear	4019856
14	2	Bracket Pod Mount, Left	n/a
15	2	Bracket Pod Mount, Right	n/a
16	1	Bezel 7 Inch Display	n/a
17	1	Panel Console Sub	n/a
18	1	Dash Mount RC	n/a
19	2	Panel Grille, Speaker, Rear, Left	5457804
20	2	Panel Grille Speaker Rear Right	5457805
21	2	Screw, Self Threading, Torx® Pan Head, #14 x 1 in	7518158
22	4	Screw, Torx® Button Head, M6 x 1.0 x 12.0 mm	7519063
23	3	Screw, Hex Flange, M6 x 1.0 x 10 mm	7519164
24	5	Screw, Self-Threading, Torx® Pan Head, #14 x 3/4 in	7519274
25	12	Screw, Torx® Truss Head, M6 x 1.0 x 25.0 mm	7519650
26	24	Screw, Self-Threading, Torx® Pan Head, #14 x 0.75 in	7519731
27	4	U-nut, M6 x 1.0 mm	7547674
28	6	Push-Pin Rivet	7661855

HARNESS DETAIL

INFOTAINMENT HARNESS ①



REF	PART DESCRIPTION	CONNECTS TO
4F	Harness Connector (Grey)	Right Mid Woofer
4F	Harness Connector (Grey)	Left Mid Woofer
2F	Harness Connector (Black)	Right Tweeter Speaker
2F	Harness Connector (Black)	Left Tweeter Speaker
2F	Harness Connector (Grey)	Sub Audio ⑨
23F	Harness Connector	Amp Mono ⑥
23F	Harness Connector (Black)	Amp 4-Channel ⑤
16F	Harness Connector (White)	Display (Kit P/N 2884072)
1F	Harness Connector	Display (Kit P/N 2884072)
32F	Harness Connector (White)	Display (Kit P/N 2884072)
1F	Harness Connector (Light Blue)	Display (Kit P/N 2884072)
4F	Harness Connector (Black)	ROPS Harness
16M	Harness Connector (Black)	Harness Chassis
2F	Harness Connector (Black)	AM/FM Antenna
1F	Harness Connector (Light Blue)	Antenna GPS ⑪
1F	Harness Connector (Yellow)	Antenna GPS ⑪
3M/- 3F	Harness Connector (Black)	Winch Harness
4F	Harness Connector (White)	Front Camera ⑫

Example: 16F = 16 pin, Female / 16M = 16 pin, Male (Male terminal fits inside female terminal)

TOOLS REQUIRED

- Safety Glasses
- Pliers, Push Pin Rivet
- Pry Tool
- Screwdriver, Slotted
- Screwdriver Set, Torx®
- Torque Wrench
- Allen Wrench Set
- Drill
- Drill Bit:
 - 1/4 in (6.35 mm)

IMPORTANT

Your Ride Command Lite is exclusively designed for your vehicle. Please read the installation instructions thoroughly before beginning. Installation is easier if the vehicle is clean and free of debris. For your safety, and to ensure a satisfactory installation, perform all installation steps correctly in the sequence shown.

INSTALLATION INSTRUCTIONS

VEHICLE PREPARATION

GENERAL

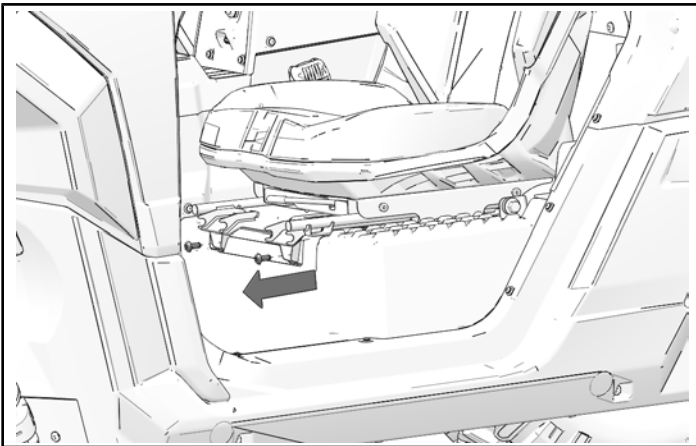
1. Park vehicle on a flat surface.
2. Shift vehicle into PARK.
3. Turn key to OFF position and remove key.

BATTERY DISCONNECTION

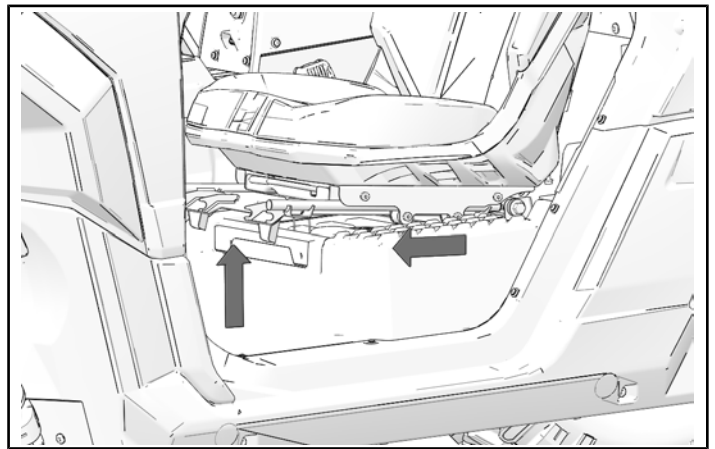
NOTICE

Doors hidden for clarity.

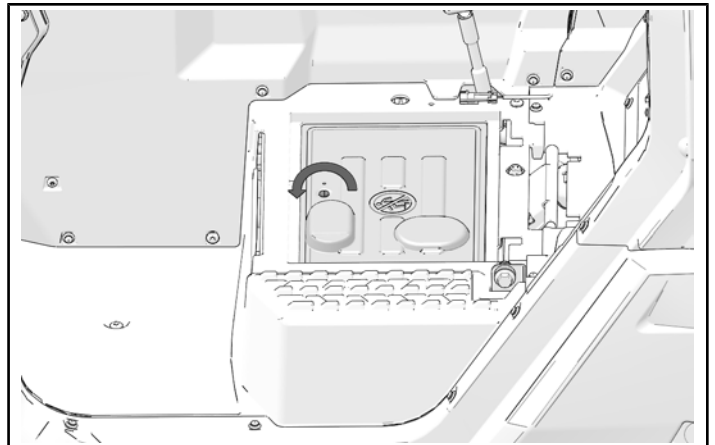
1. Remove and keep two screws from front of driver seat base.



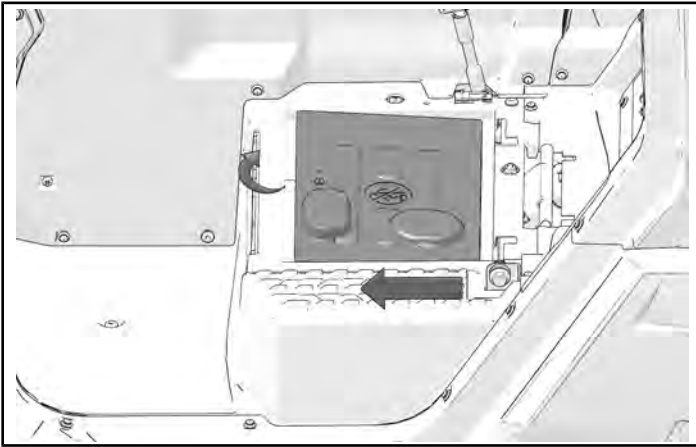
2. Lift front of seat and pull forward to remove seat.



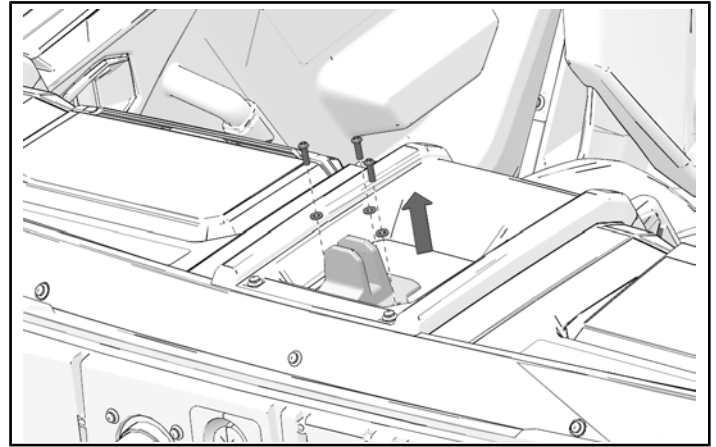
3. Turn screw to open cover.



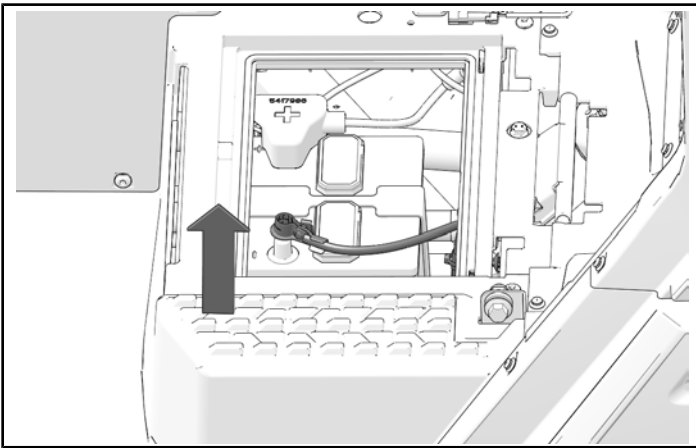
4. Lift cover and slide forward to remove.



2. Remove and keep three screws and washers.
Remove and keep windshield base.

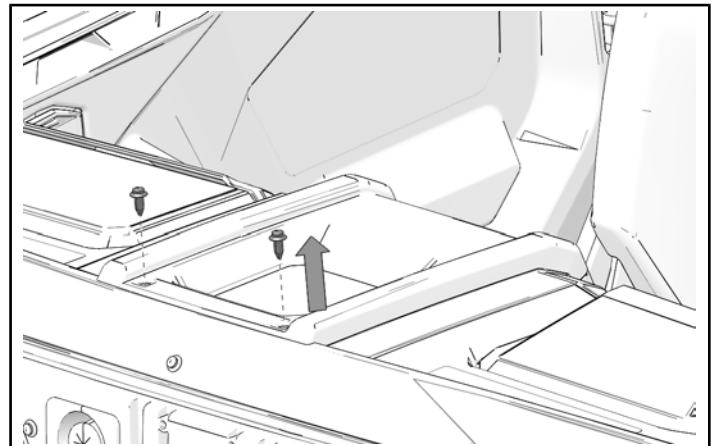


5. Disconnect negative (-) cable from battery.



PANEL REMOVAL

1. Remove and keep two push-pin rivets from center dash panel.



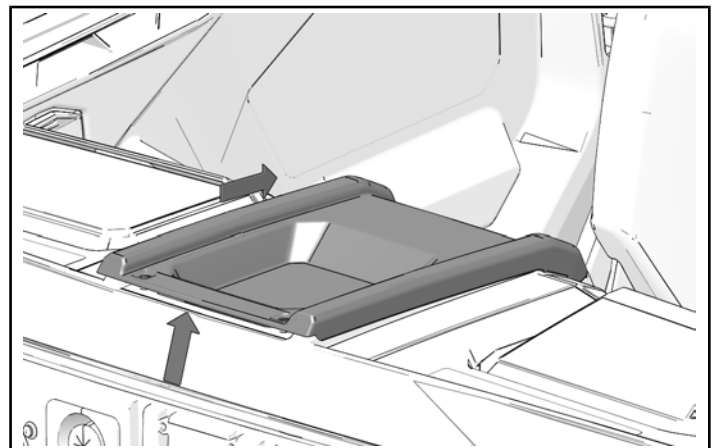
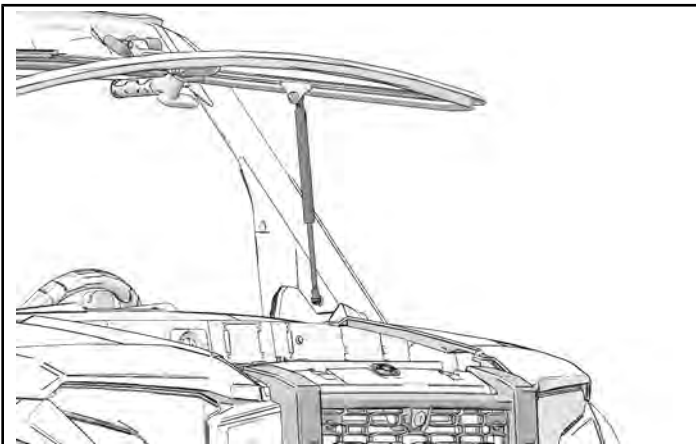
CENTER DASH PANEL REMOVAL

VEHICLES WITH TIP-OUT WINDSHIELD

NOTICE

For vehicles without tip-out windshield, proceed to Panel Removal.

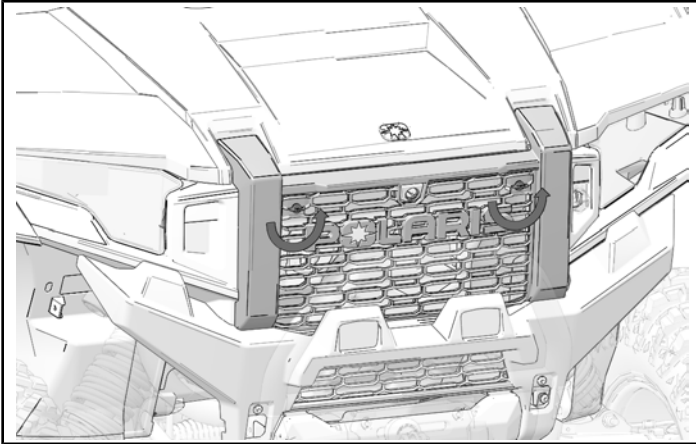
1. Open tip-out windshield.



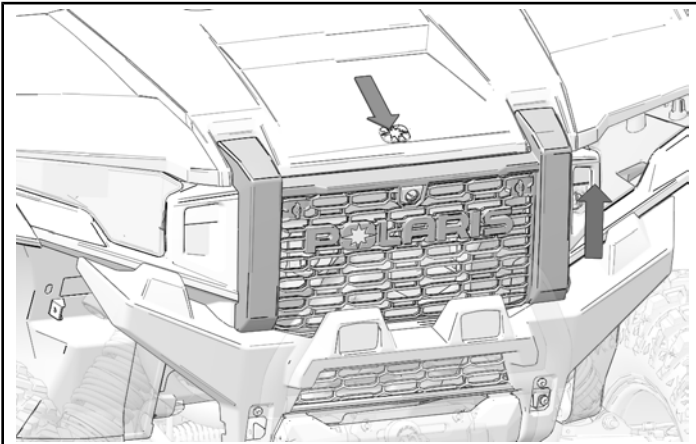
2. Remove and keep panel by lifting front edge and moving backward.

GRILL AND HOOD REMOVAL

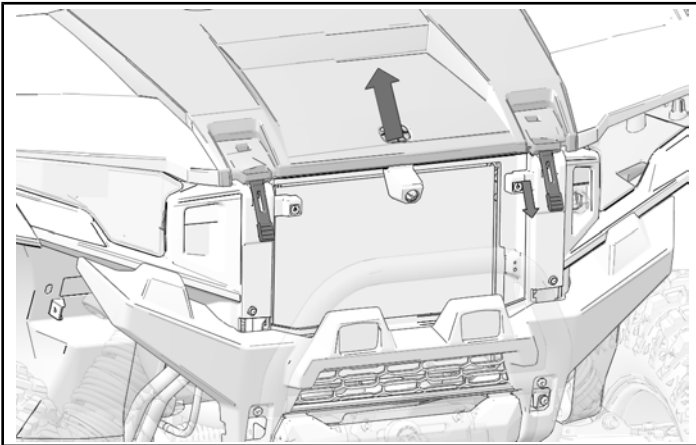
1. Turn each stud one-quarter of a turn to release the grill.



2. Pull the top of the grill forward and then lift up to remove the grill.



3. Unhook the rubber straps for the hood. Lift the hood to remove.



HEAD UNIT REMOVAL

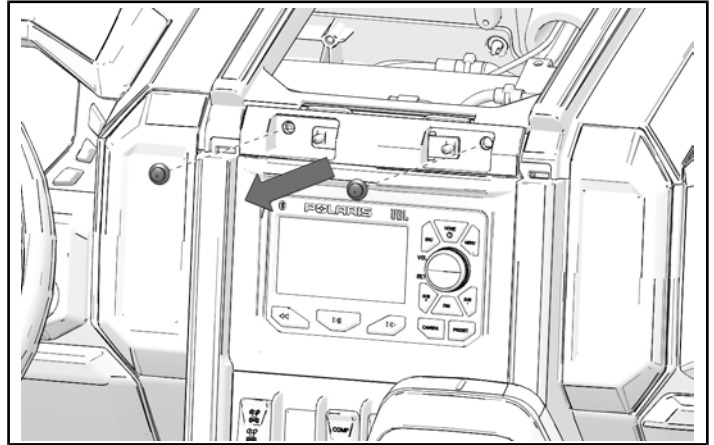
NOTICE

Vehicles without audio system will have a storage bin in place of head unit. Storage bin is removed in a similar manner to head unit.

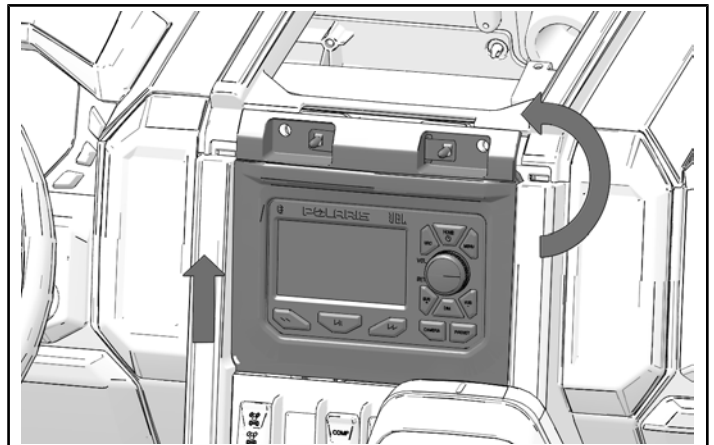
NOTICE

Base audio head unit removal shown. Ride Command® display removal similar.

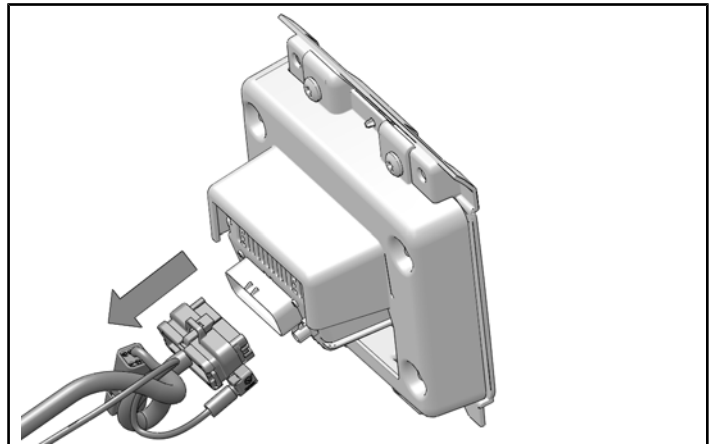
1. Remove and keep two push-pin rivets from top of the head unit.



2. Pull top of head unit away from dash and lift head unit up to remove from dash.



3. Disconnect wiring harness and antenna from head unit. Remove head unit.

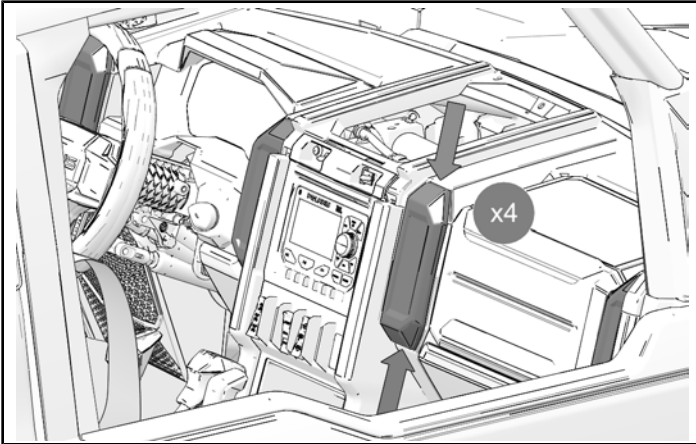


REMOVE DASH COVER

1. Remove four dash vents/covers. Pry simultaneously at top and bottom of vent/cover to remove.

IMPORTANT

Make sure white clips on back of vents/covers do not become lost.



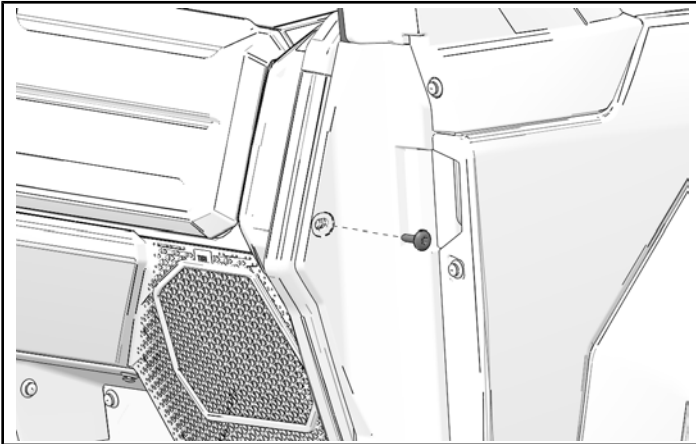
2. Remove one screw at each side of dash cover.

NOTICE

Right side shown; left side similar.

TIP

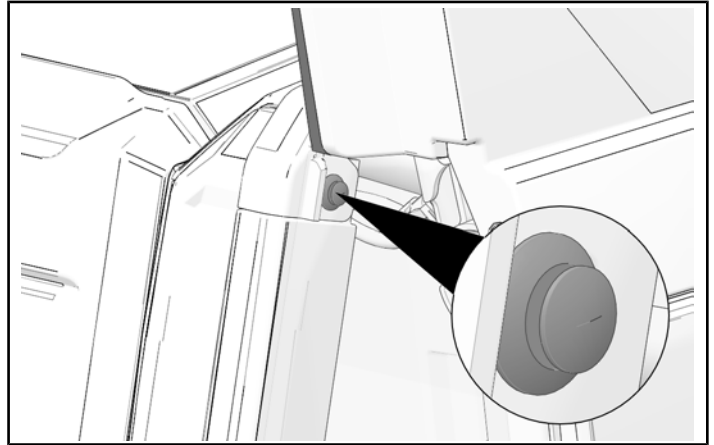
Doors will need to be fully open to access and remove these screws. Removal of these screws allows cover to be pulled open in next step to remove push-pin rivet.



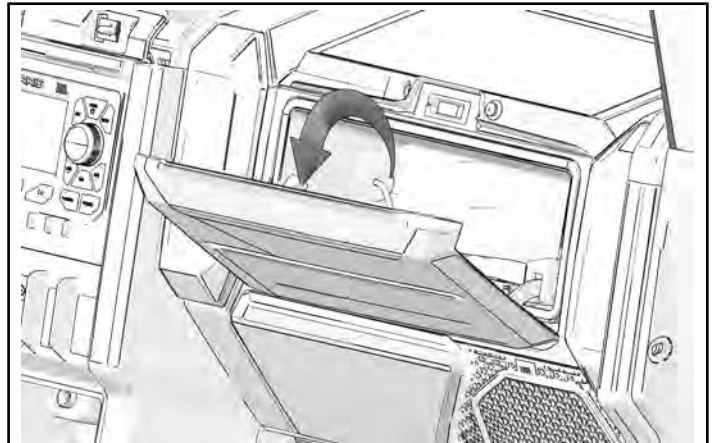
3. Carefully pull plastic cover away from lower A-pillar area and remove one push-pin rivet from side of dash cover.

NOTICE

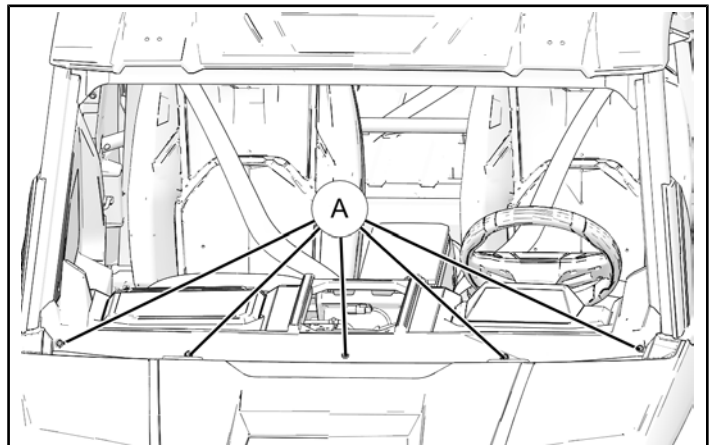
A-pillar trim hidden for clarity.



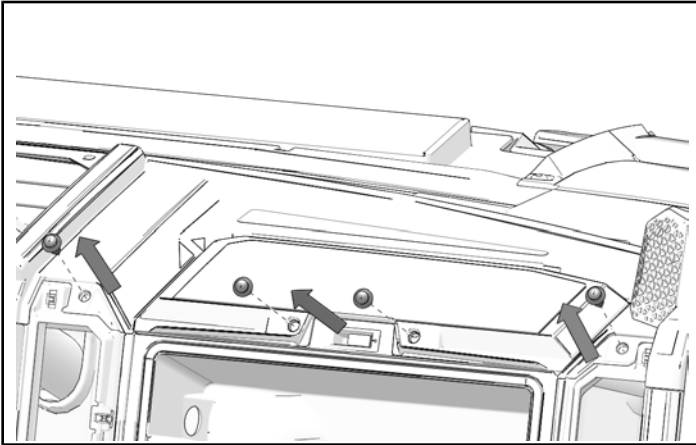
4. Open glove box.



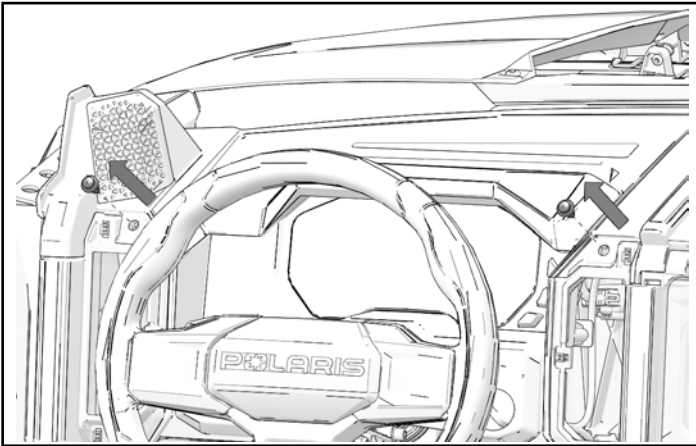
5. Remove and keep five screws (A) and washers at front of dash cover.



- Remove four push-pin rivets from passenger side of dash cover.



- Remove two push-pin rivets from drivers side of dash cover.



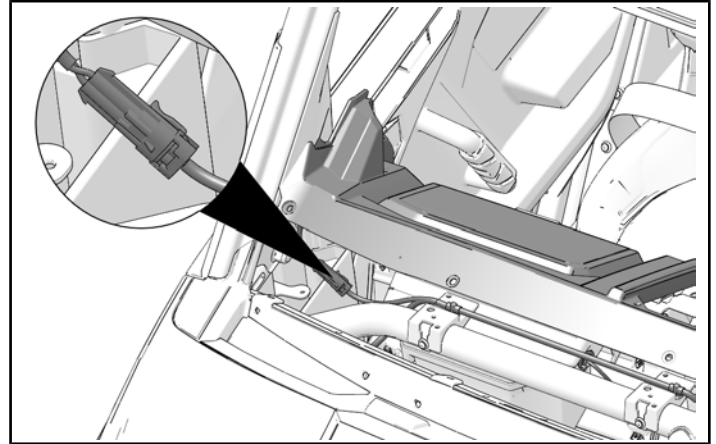
- Lift up and forward to remove dash cover.

TIP

Lift up on front center of dash to disengage two radio retention tabs.



- If vehicle is equipped with upper tweeters, make sure to unplug tweeters when removing dash cover.



REMOVE DASHBOARD

NOTICE

Doors hidden for clarity

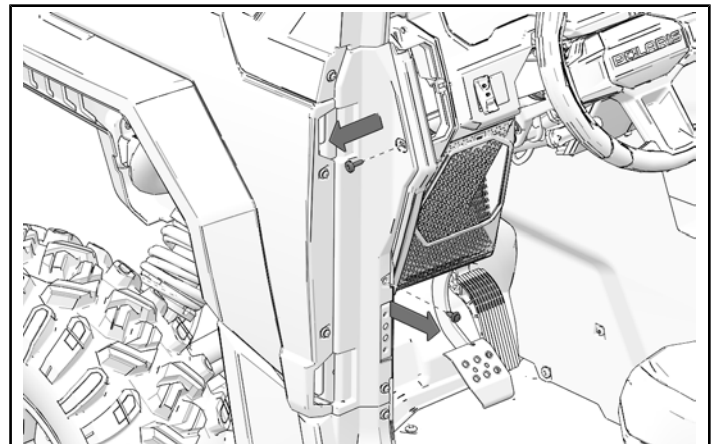
- Remove and keep screw and push-pin rivet from left side door frame.

NOTICE

Left side shown; right side similar.

TIP

Doors will need to be fully open to access and remove these fasteners. Removal of these fasteners allows trim to be pulled open in next step to remove push-pin rivet.



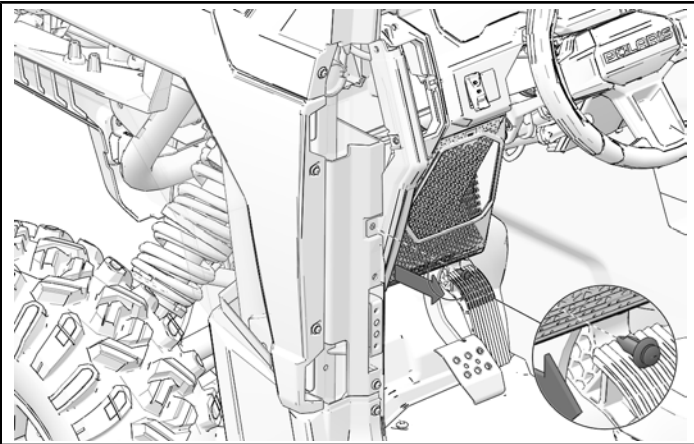
2. Carefully pull trim away from vehicle and remove one push-pin rivet from side of dashboard.

NOTICE

Left side shown; right side similar.

NOTICE

Trim hidden for clarity.



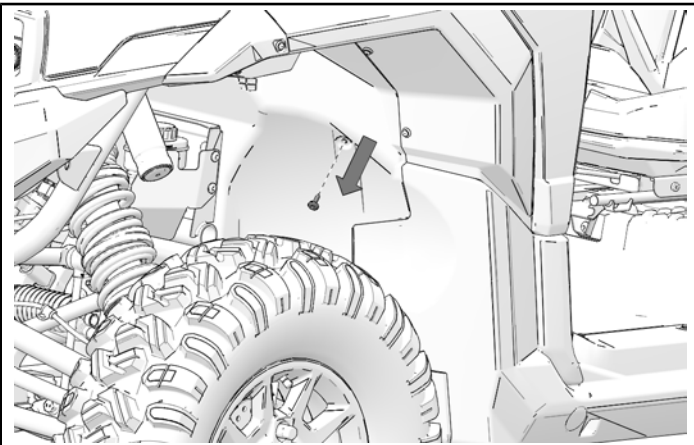
3. Remove one screw from each front wheel well.

NOTICE

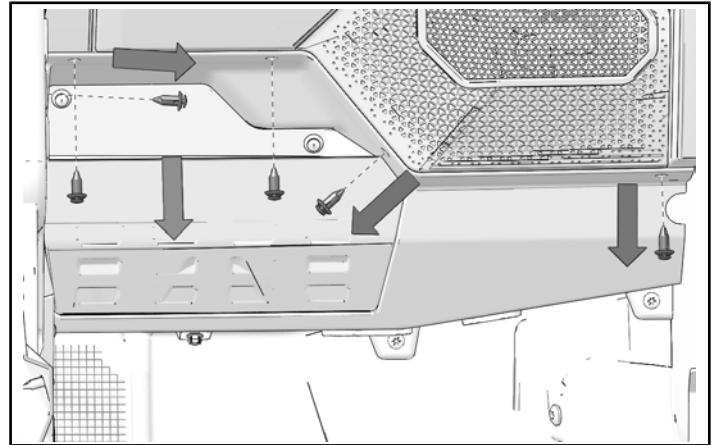
Left side shown; right side similar.

NOTICE

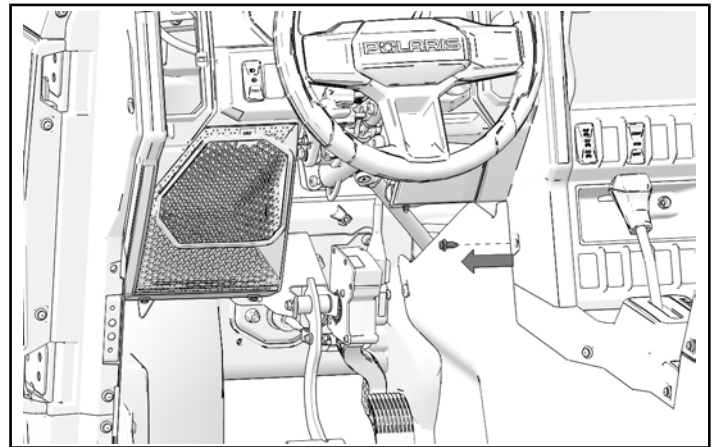
When dashboard is removed, check that u-nut for this screw is still attached to dashboard panel.



4. Remove five push-pin rivets from bottom of dashboard in front of passenger seat.



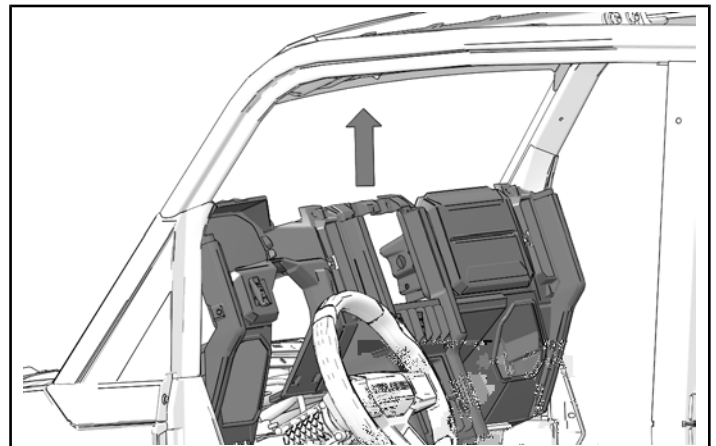
5. Remove push-pin rivet from bottom of dashboard in front of drivers seat.



6. Remove dashboard from vehicle.

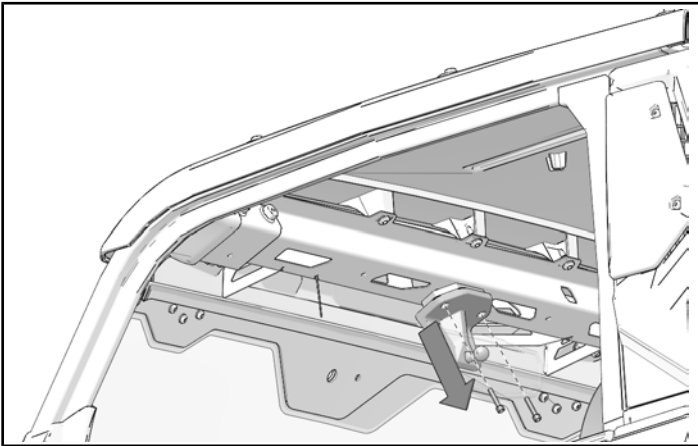
NOTICE

Make sure to disconnect electronic components (switches, speakers, etc.) prior to removing dashboard. Label locations of removed components to ease later installation.

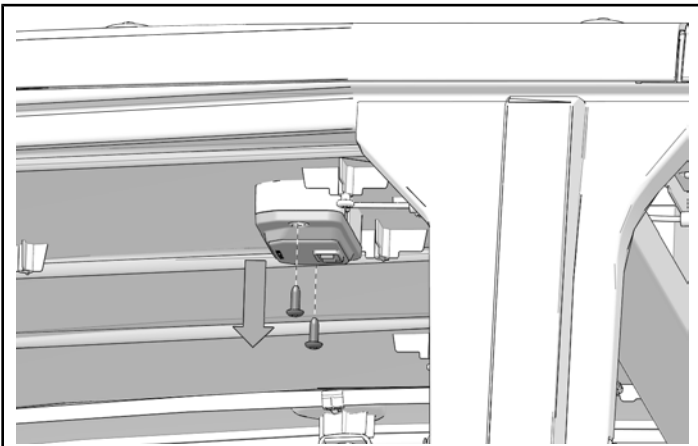


FRONT ROOF LINER REMOVAL

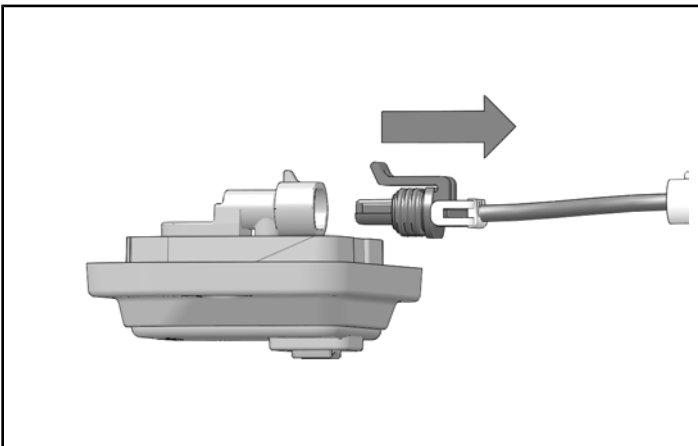
1. Remove and save two screws and rearview mirror assembly (if equipped).



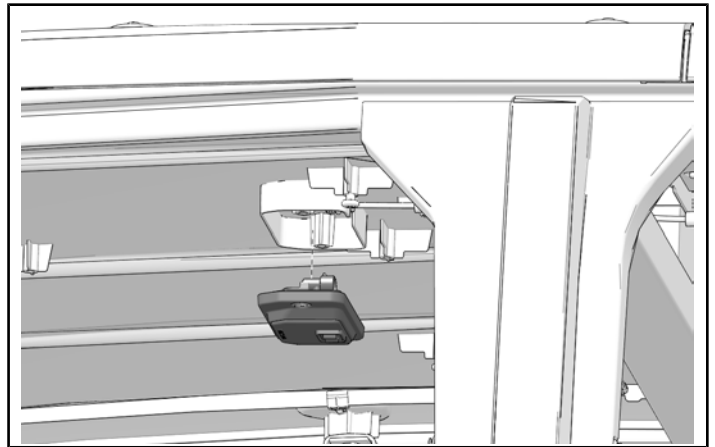
2. Remove and keep two screws to uninstall dome light.



3. Disconnect dome light from wiring harness.



4. Remove and keep dome light.



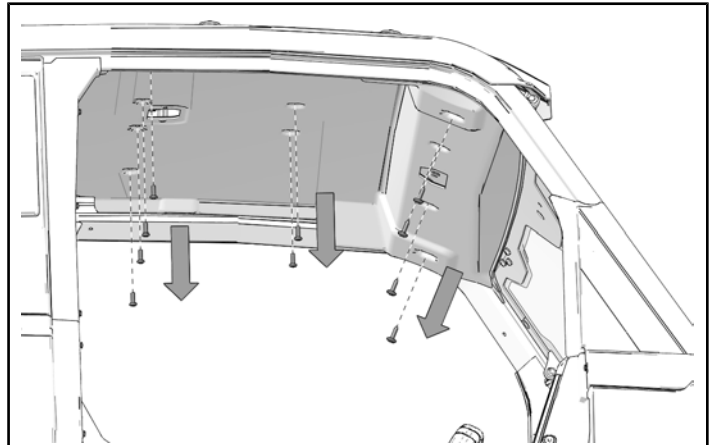
5. Remove and keep six screws from top of roof liner and four screws from front of roof liner.

NOTICE

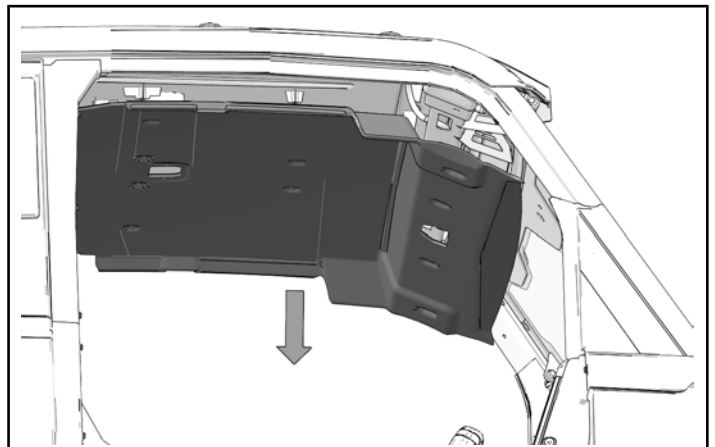
Vehicles that are not equipped with rearview mirror will have a fifth screw at front of roof liner.

NOTICE

Vehicles equipped with 2-passenger cab will have three additional screws near rear of roof liner.

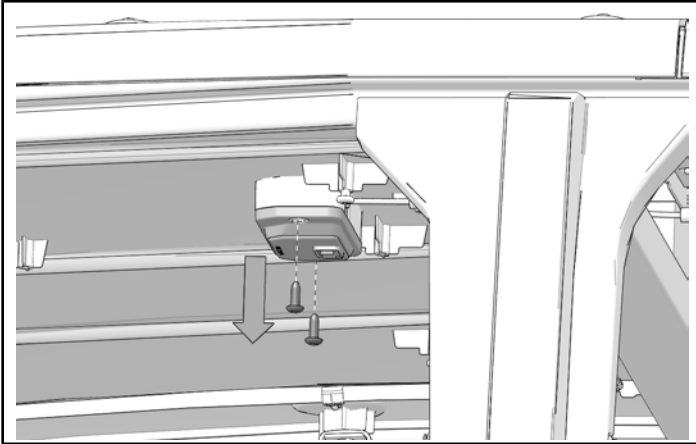


6. Remove and keep front roof liner.

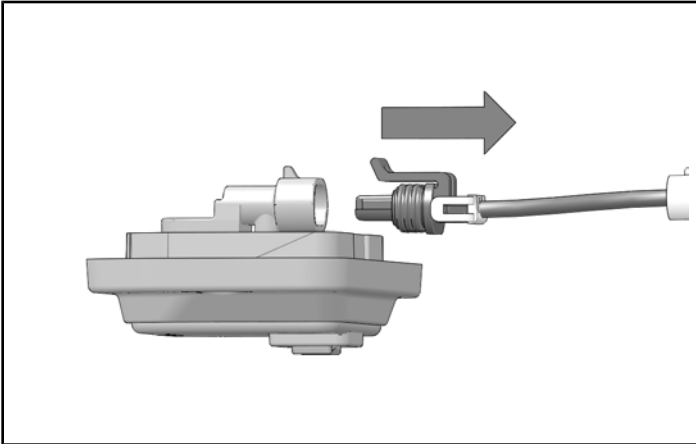


MID ROOF LINER REMOVAL

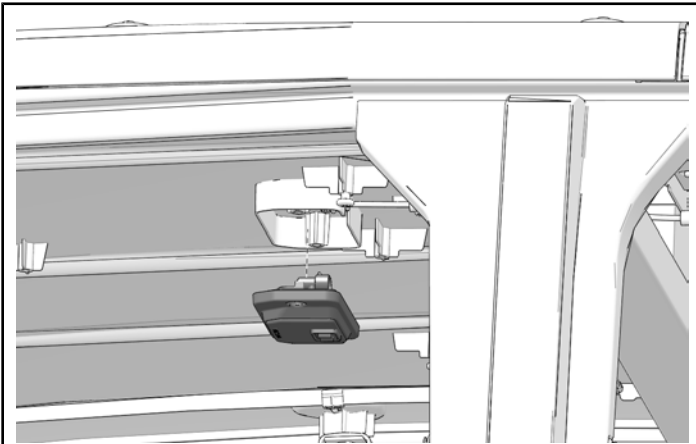
1. Remove and keep two screws to remove dome light.



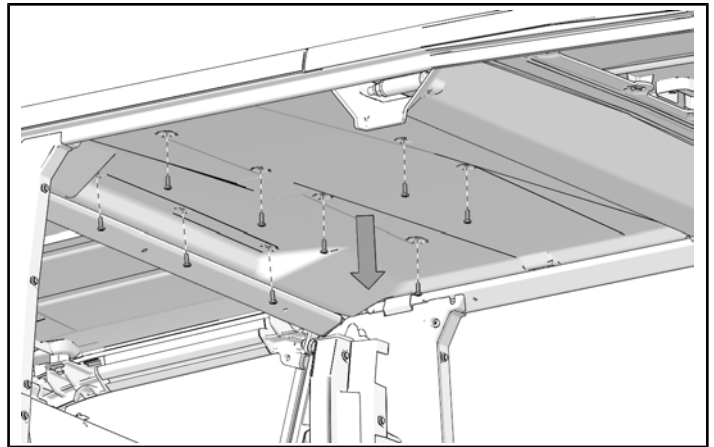
2. Disconnect dome light from wiring harness.



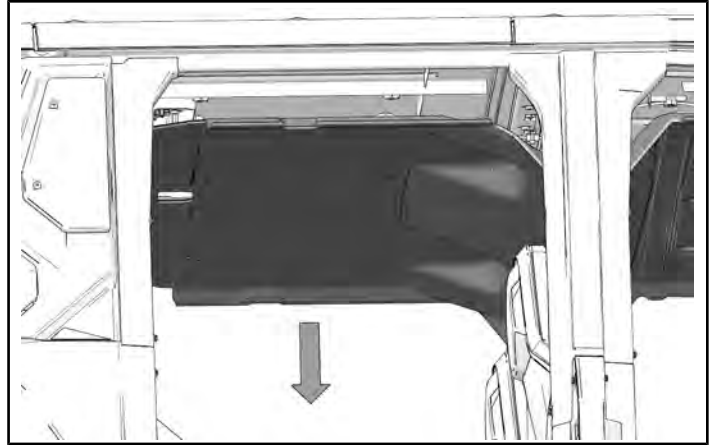
3. Remove and keep dome light.



4. Remove and keep nine screws from mid roof liner.

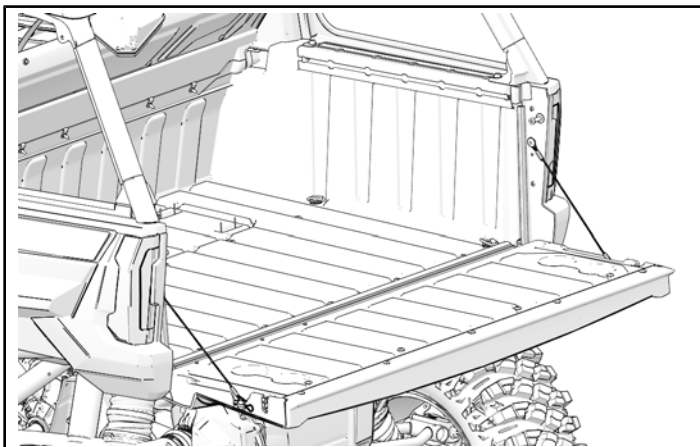
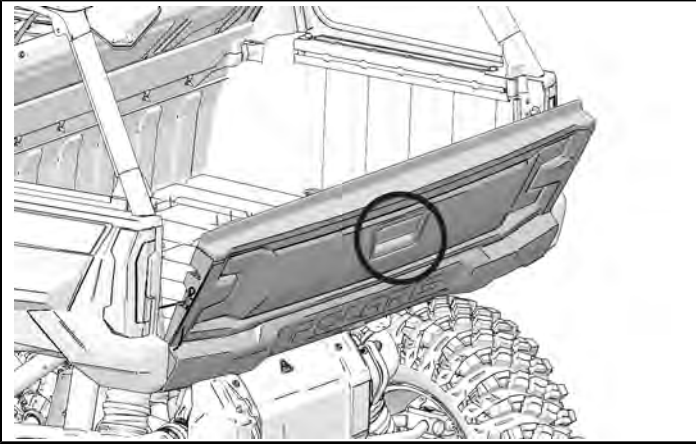


5. Remove mid roof liner.



TAIL GATE REMOVAL

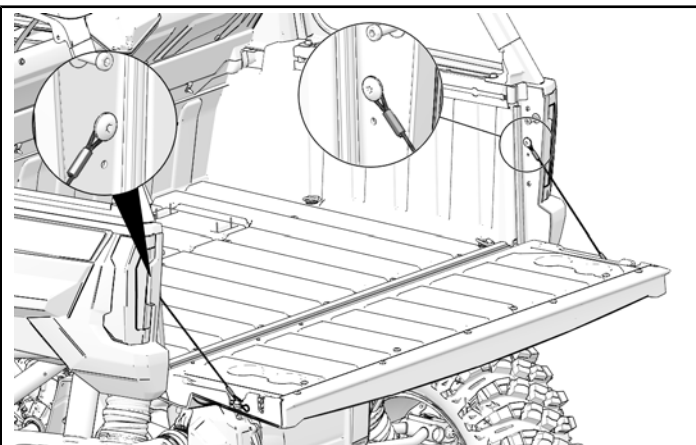
1. Open tail gate via middle latch and put it flat.



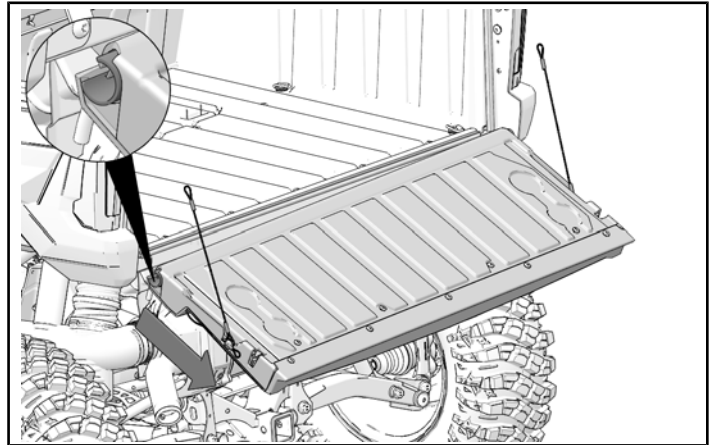
2. Remove left and right tailgate cable from left and right screw.

TIP

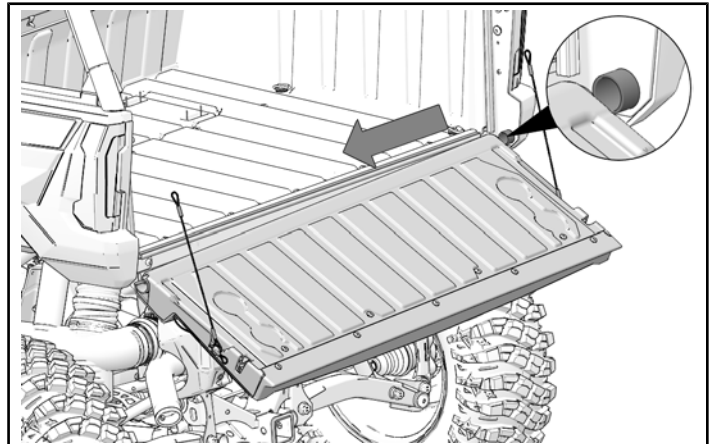
Support tail gate after removing tailgate cable. The tailgate will fall to ground if not supported.



3. Tilt tailgate down and pull left hinge away from vehicle using gap on hinge.

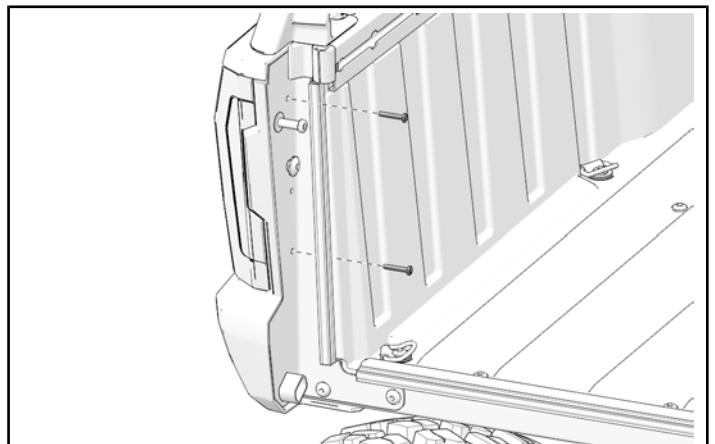


4. Slide right hinge away from vehicle. Remove tailgate from vehicle.

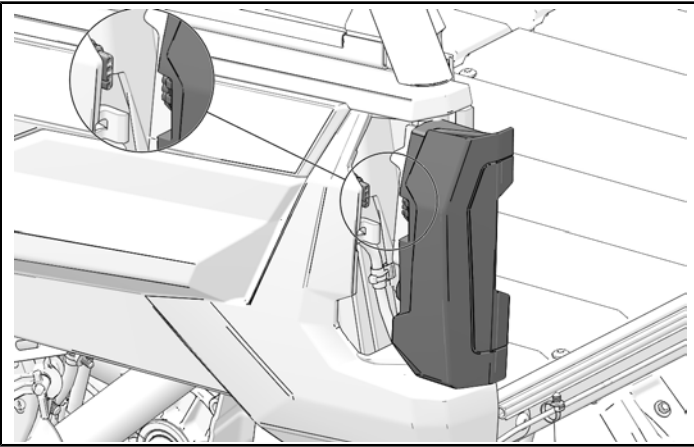


OUTER PANEL BOX REMOVAL

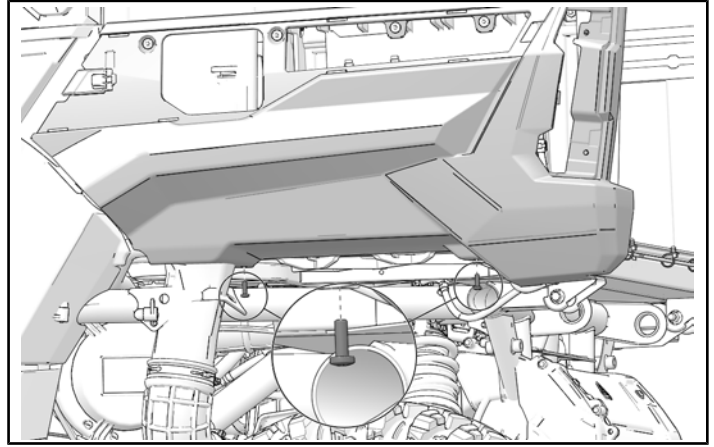
1. Remove two screws from tail gate light.



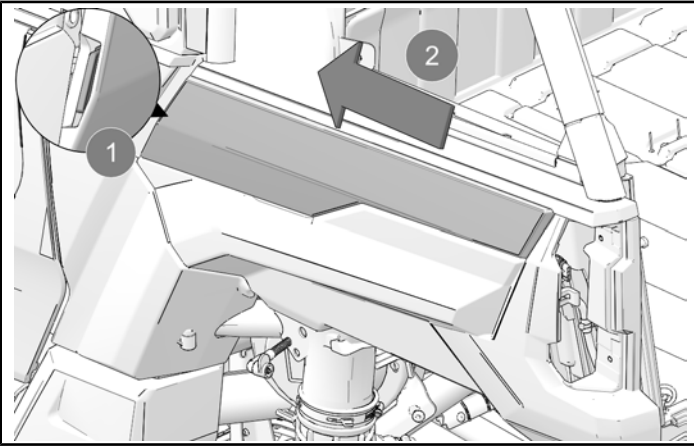
2. Pull tail light and disconnect tail light connection



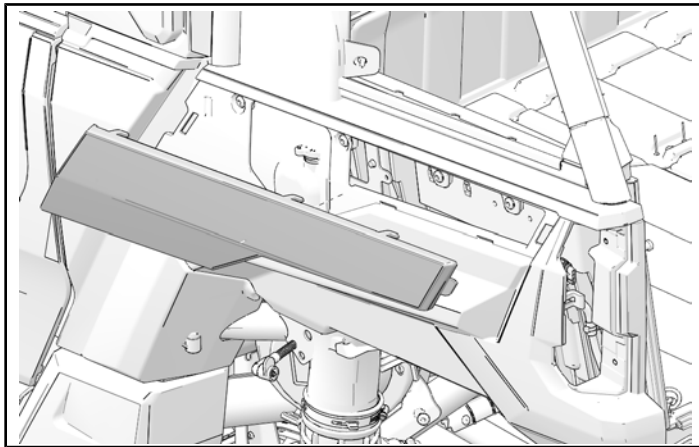
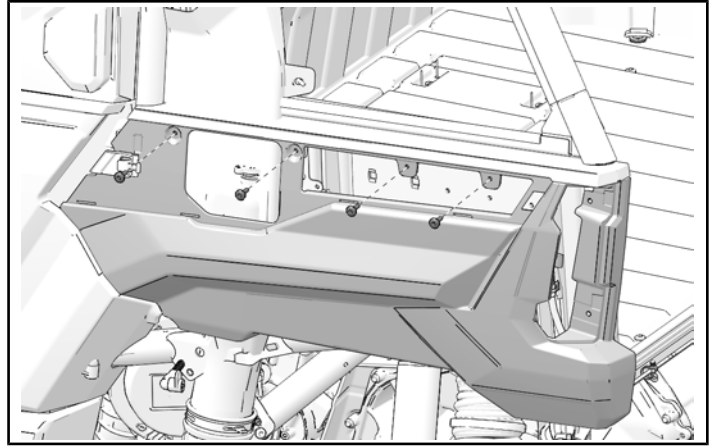
4. Remove bottom two screws.



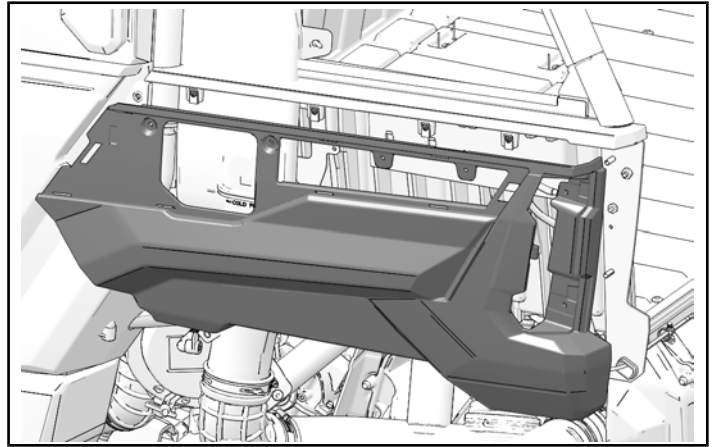
3. Hold down lever and slide upper panel cover to the left to release hooks. Remove upper panel cover from vehicle.



5. Remove five screws from panel.



6. Remove panel from vehicle.

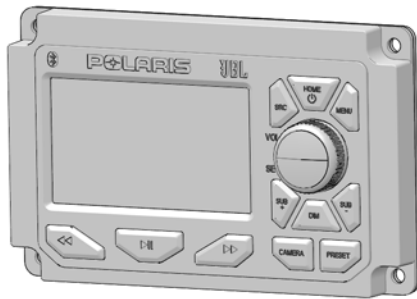


ACCESSORY INSTALLATION

HARNESS REMOVAL (IF VEHICLE IS EQUIPPED WITH HARMON AUDIO HEAD UNIT (P/N 2415723))

NOTICE

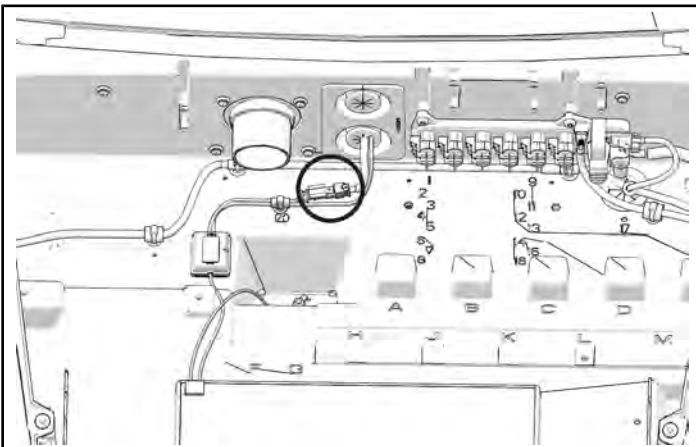
Harmon Audio Head Unit:



- Harness Overview.



1. Disconnect harness from antenna.



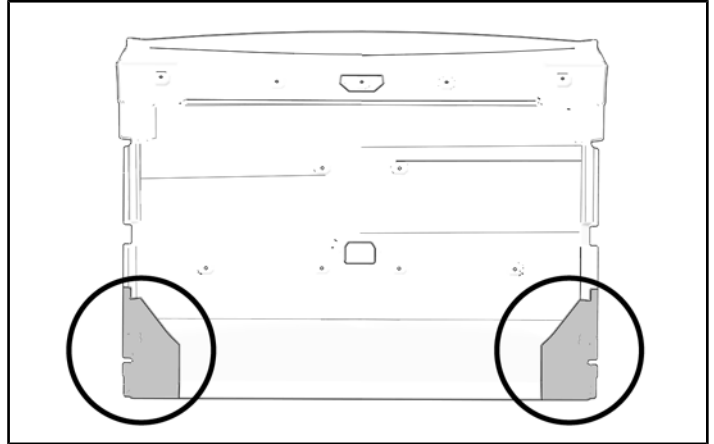
2. Remove harness from vehicle, including edge clips and push darts from center support beam.

TRIM ROOF LINER

1. For two-passenger vehicle, cut front-roof liner at circled shaded areas shown.

NOTICE

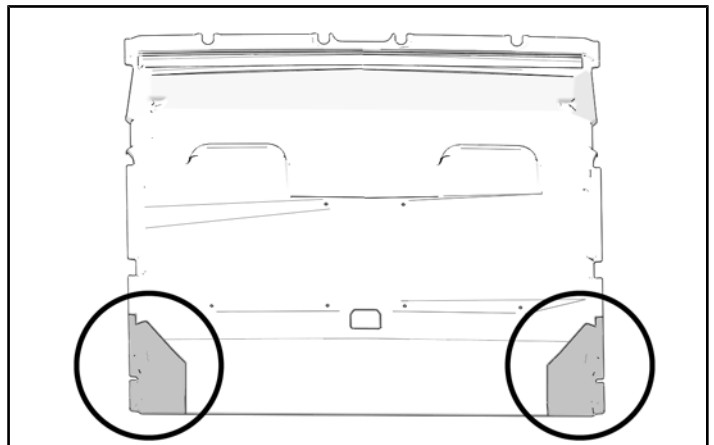
Score lines on top of liner show where liner should be cut.



2. For multi-passenger vehicle, cut mid-roof liner at circled shaded areas shown.

NOTICE

Score lines on top of liner show where liner should be cut.



SENSOR-GAUGE INSTALLATION

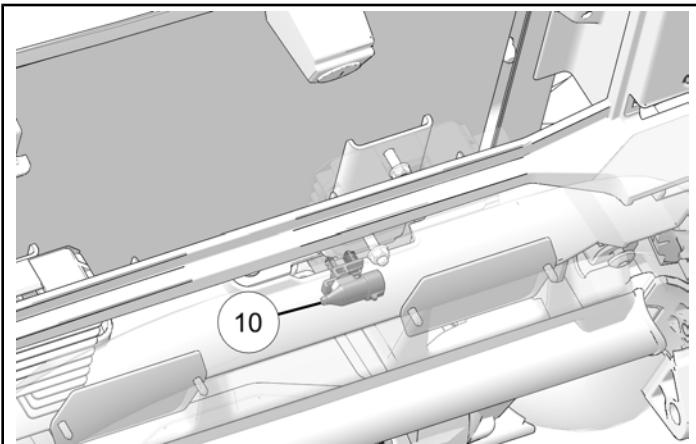
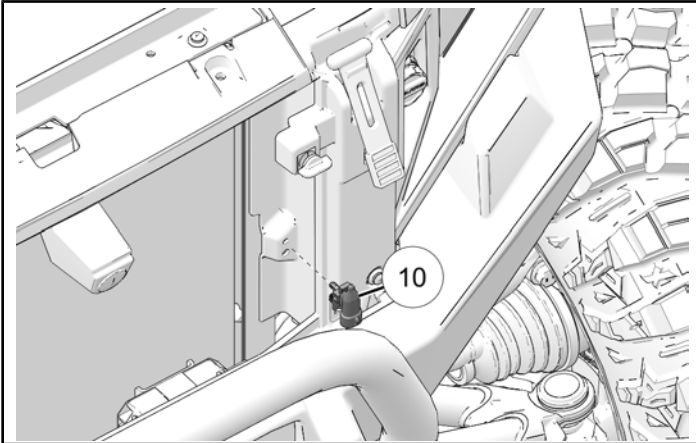
1. Clip sensor-gauge ⑩ onto front of vehicle.

NOTICE

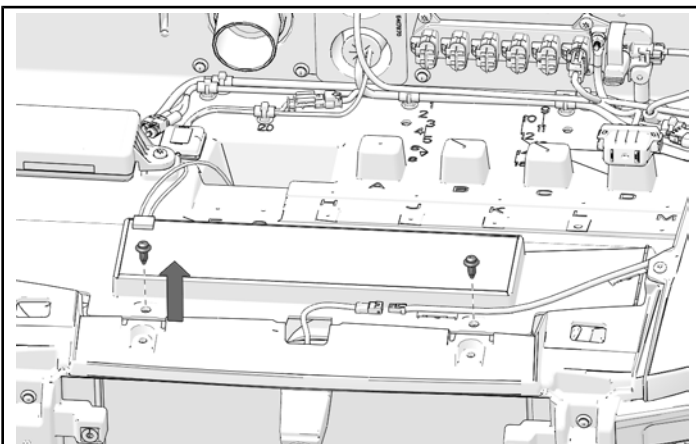
Sensor gauge maybe be clipped onto two different locations depending on vehicle model.

NOTICE

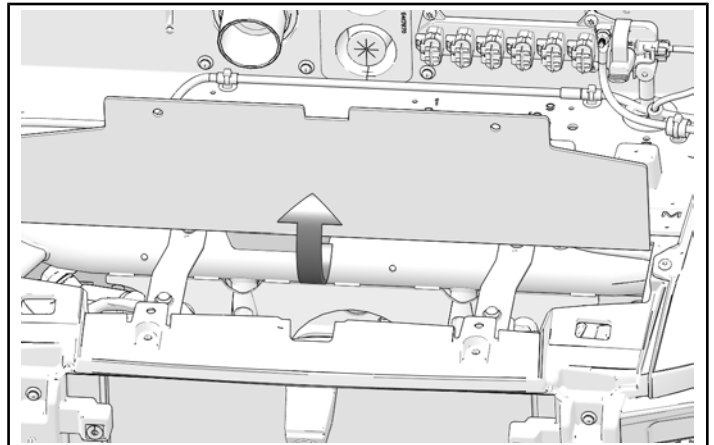
Parts hidden for clarity.



2. Remove two push-pin rivets from the front of the underhood liner.



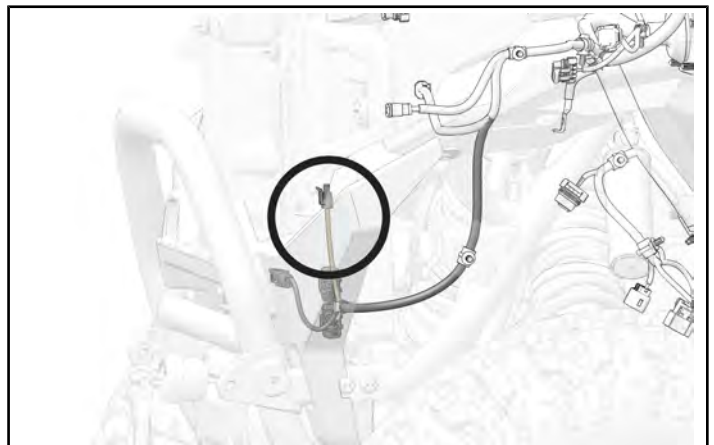
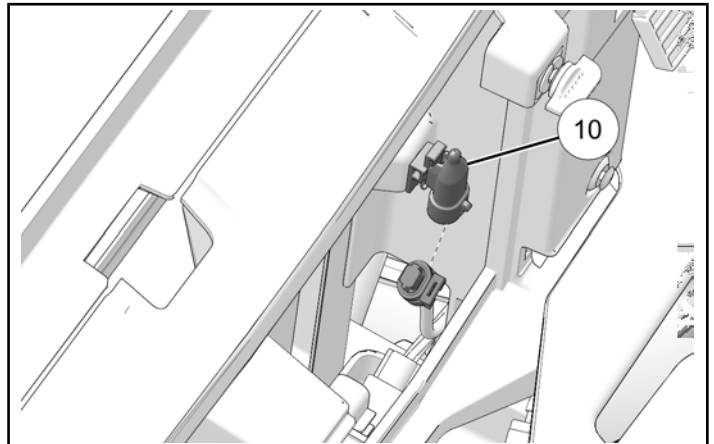
3. Lift the front panel of the underhood liner to access the areas beneath.



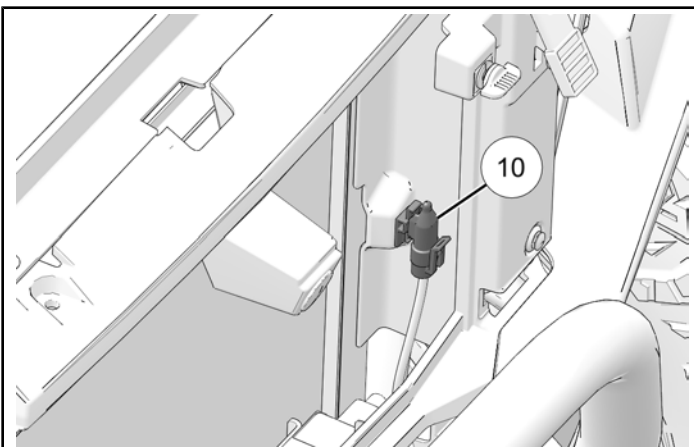
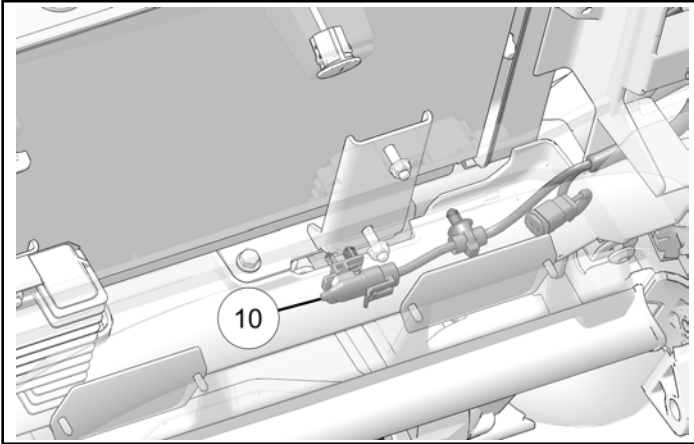
4. Route harness through hole. Look underneath underhood liner if having trouble finding harness. Harness will have a grey connector with purple and brown wires.

NOTICE

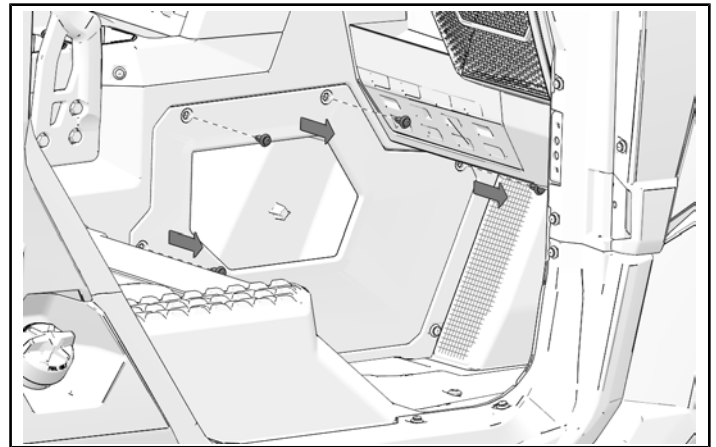
Vehicle hidden for clarity.



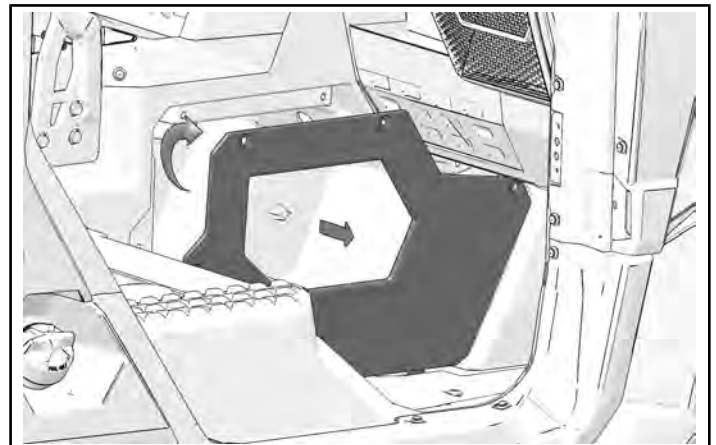
5. Remove cap and connect harness to sensor gauge ⑩. Make sure to clip any push dart once it is connected.



2. Remove four push-pin rivets from storage panel.



3. Tilt out top of storage panel and remove.

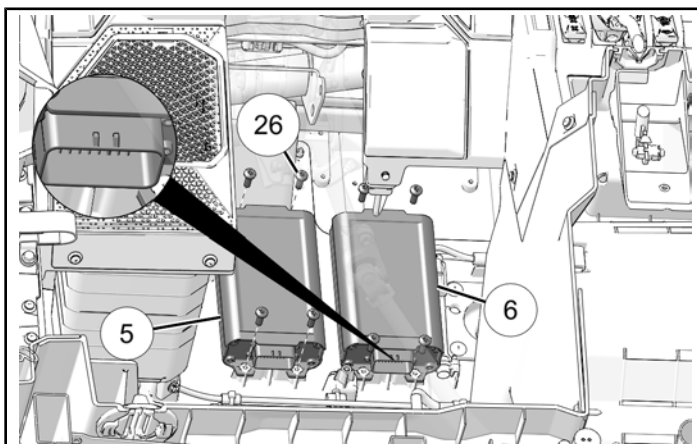


AUDIO SUBWOOFER INSTALLATION

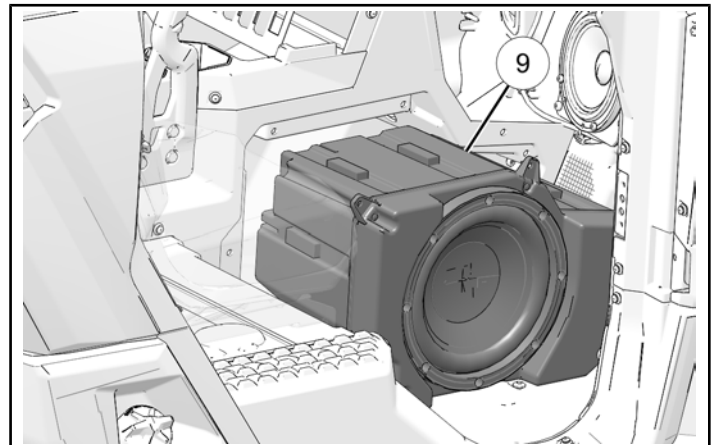
1. Install 4-channel amp ⑤ and mono amp ⑥ behind steering wheel with eight screws ⑳. Make sure mono amp ⑥ with white bottom connector and 4-channel amp ⑤ with black bottom connector is placed in right locations. Torque until fully seated.

NOTICE

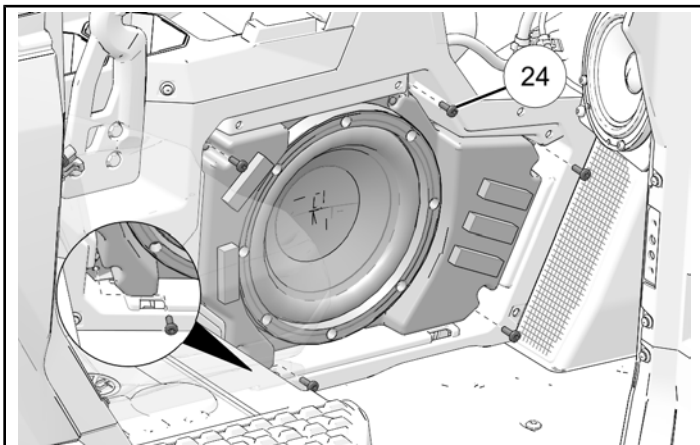
Parts hidden for clarity.



4. Install subwoofer ⑨ into storage space.



- Attach subwoofer to storage space with five screws 24.

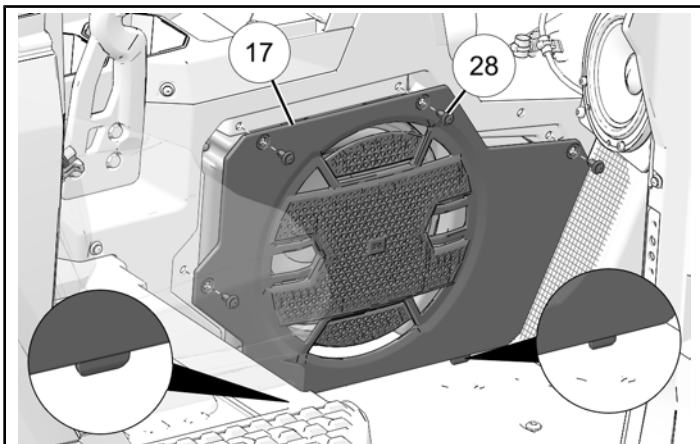


- Torque screws to specification.

TORQUE

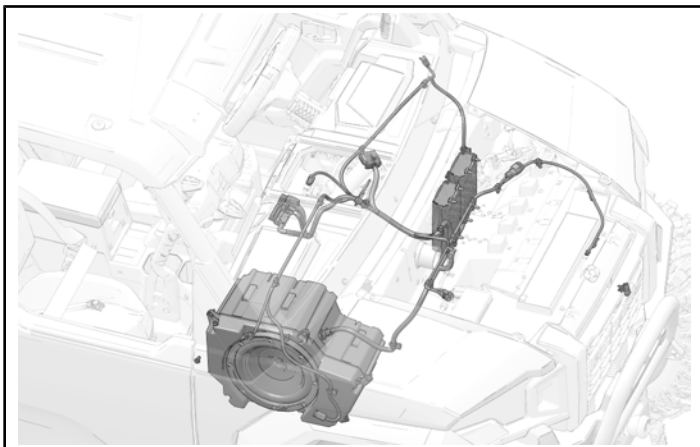
Subwoofer Screws 24:
22 in-lbs (2.5 N·m)

- Install tabs at bottom of panel 17 into slots. Make sure screw holes are lined up. Install panel 17 with four screws 28.

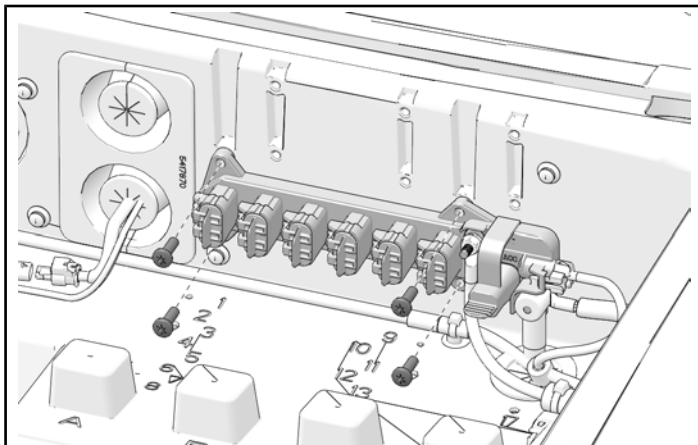


HARNESS ROUTING INSTALLATION

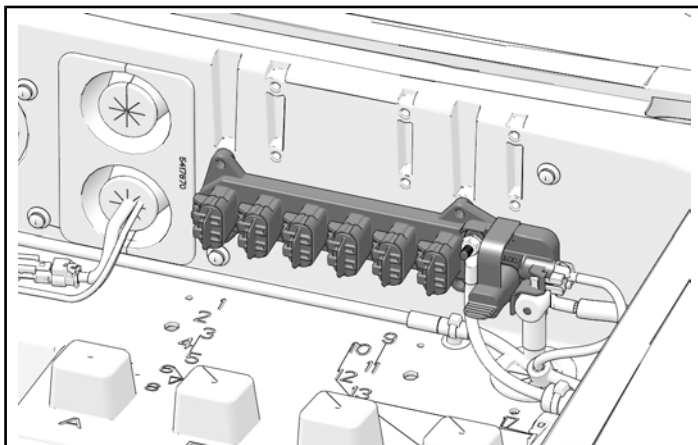
HARNESS OVERVIEW



- Remove and keep four screws from Polaris Pulse® bar.



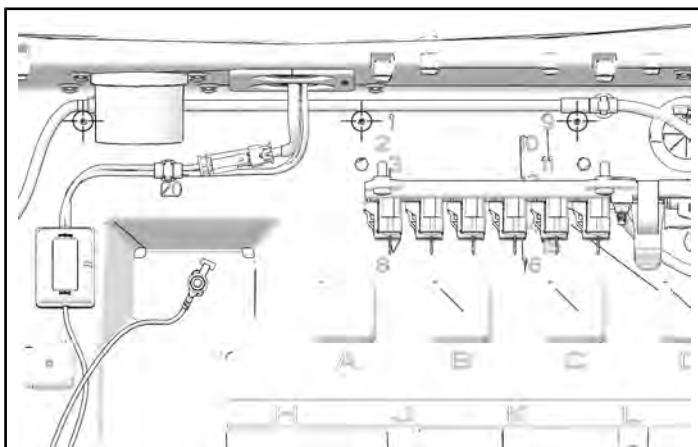
- Move Polaris Pulse® bar with wires forward.



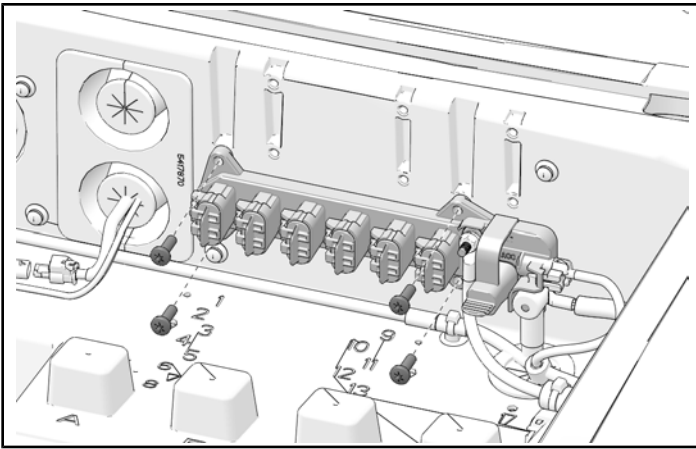
- Drill three holes as shown. The three holes are dimples. Locations are 1, 9 and left of 1.

MEASUREMENT

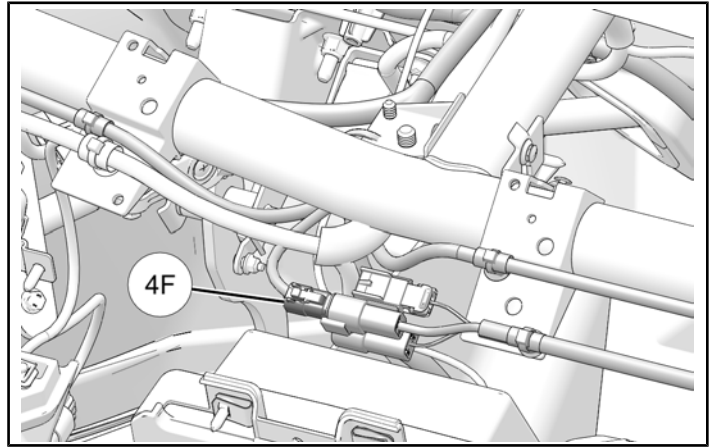
Drill Bit Size:
1/4 in (6.35 mm)



4. Install Polaris Pulse® bar with four kept screws.



8. Connect harness connector **4F** to ROPS harness (Kit P/N 2885170).

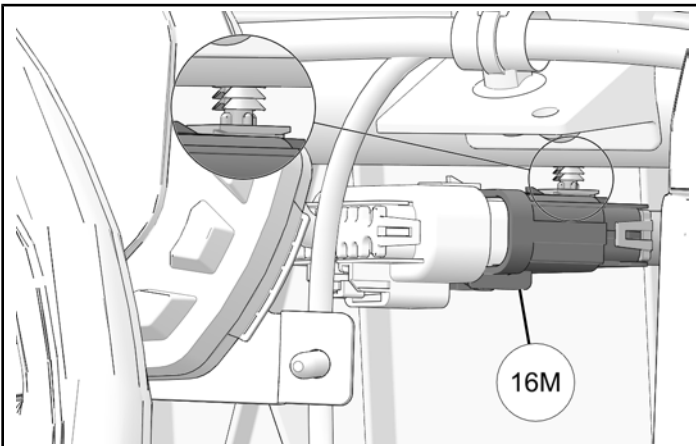


5. Torque Polaris Pulse® bar screws to specification.

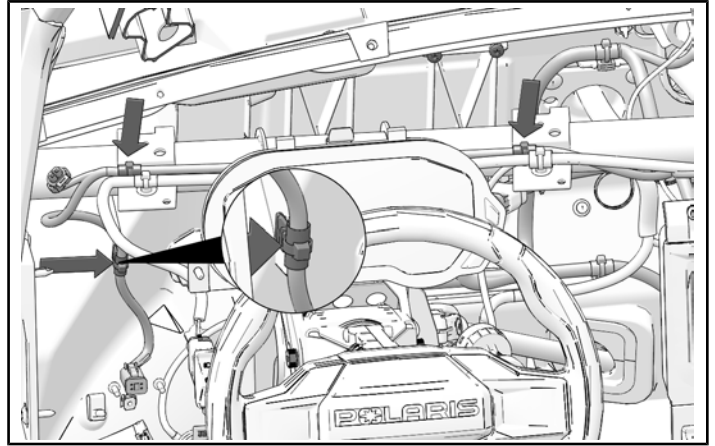
TORQUE

Polaris Pulse® bar screws:
22 in-lbs (2.5 N·m)

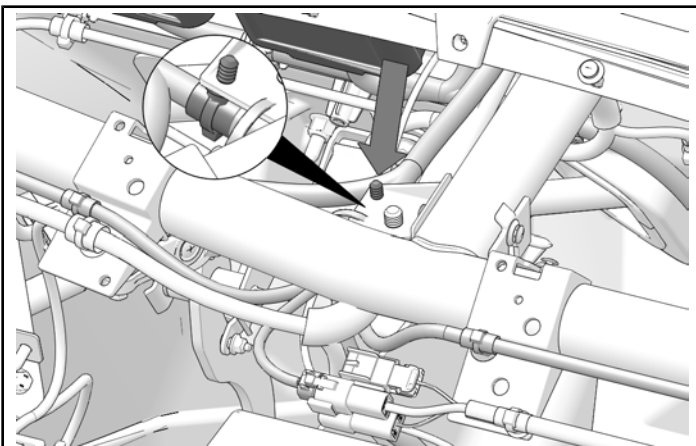
6. Install harness connector **16M** to harness connector behind instrument panel. Attach harness to bottom of chassis bar with push dart.



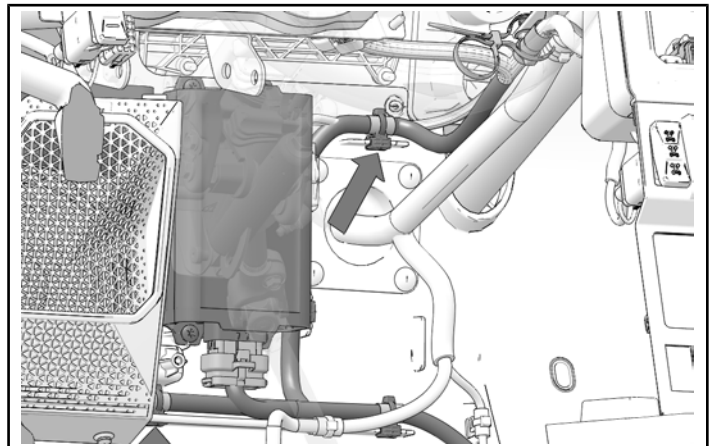
9. Install two push darts onto beam. Install edge clip onto front close-off panel on driver side.



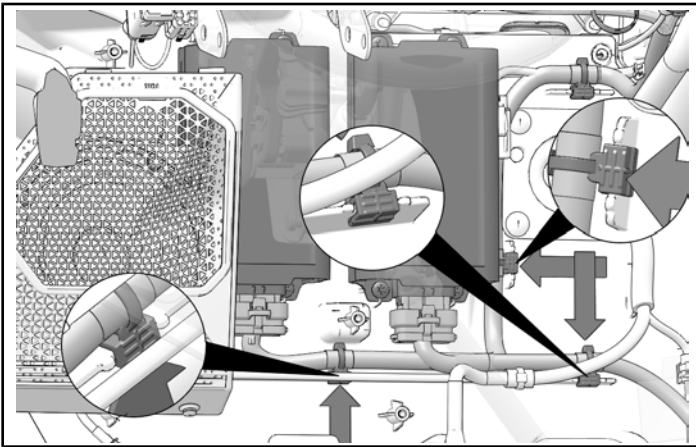
7. Install harness push dart to bracket located at center of dash support tube.



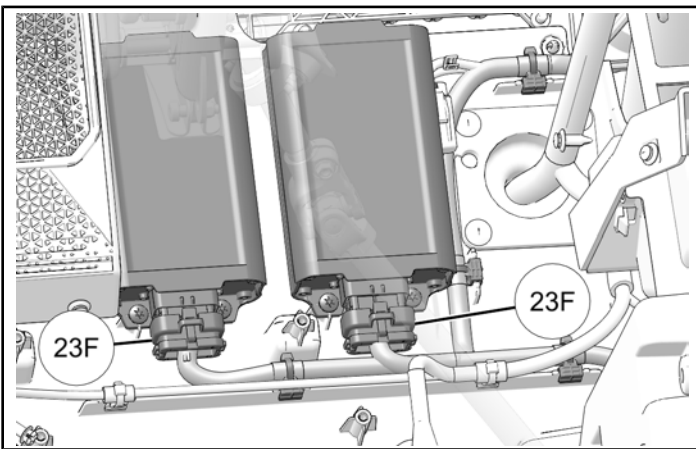
10. Install edge clip near tube.



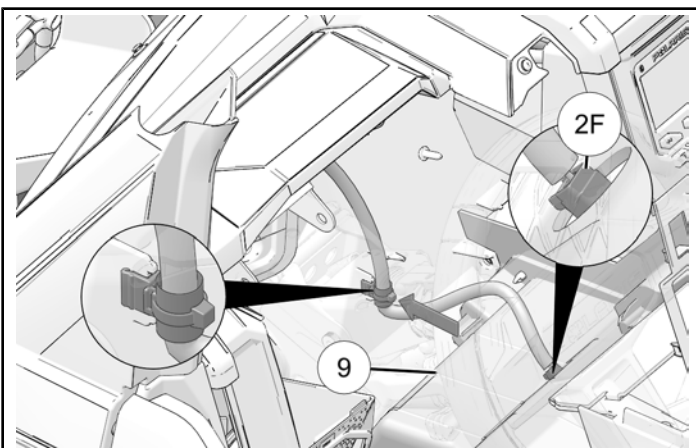
11. Near installed amps, install three edge clips and route harness.



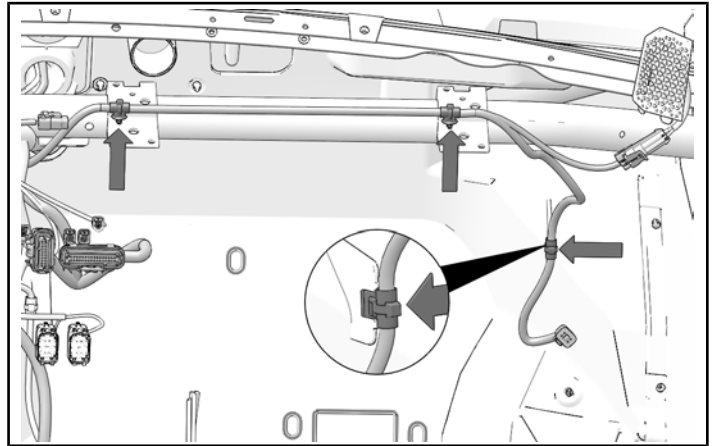
12. Connect harness connector **23F** (Black) and **23F** (White) to both installed amps.



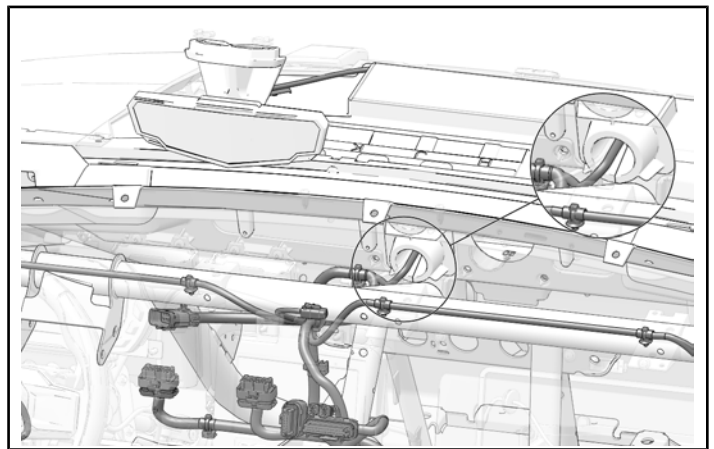
13. Install edge clip on front close off panel near speaker **9**. Connect harness connector **2F** to sub speaker **9**.



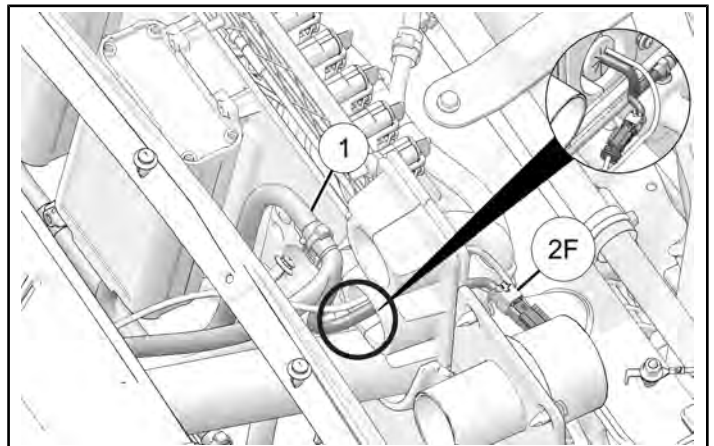
14. Install two push darts onto dash support tube on passenger side. Install edge clip onto plastic chassis.



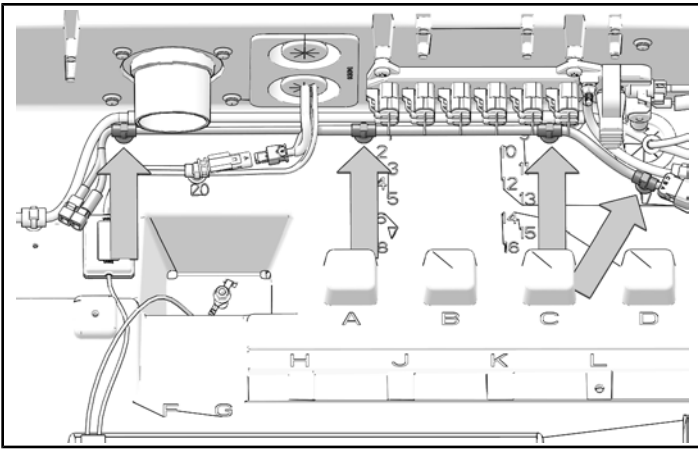
15. Route rest of harness through lower grommet.



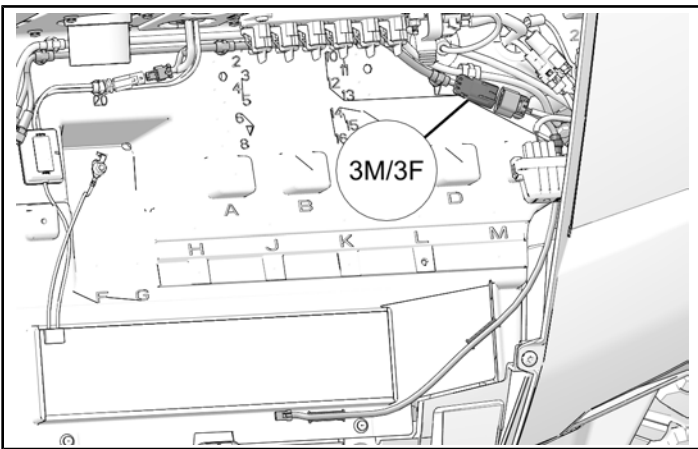
16. Make sure harness **1** connector **2F** is routed through the grommet.



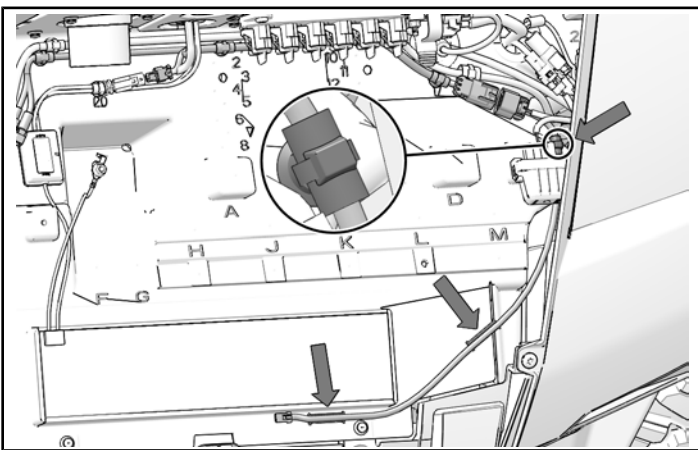
17. Install four push darts onto underhood liner.



18. Connect harness connector **3M/3F** to winch harness.

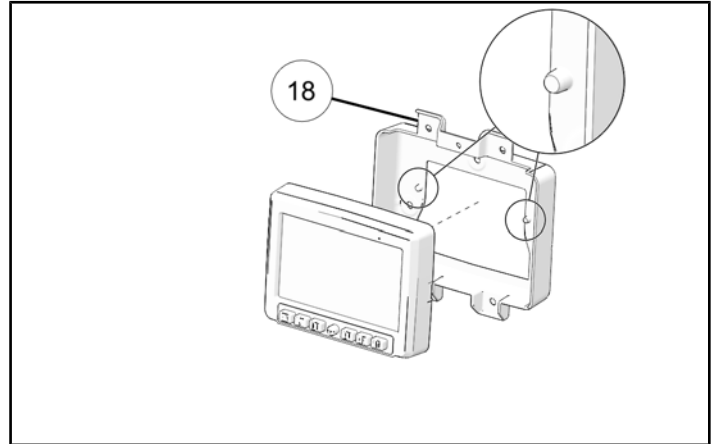


19. Install three push darts onto underhood liner.

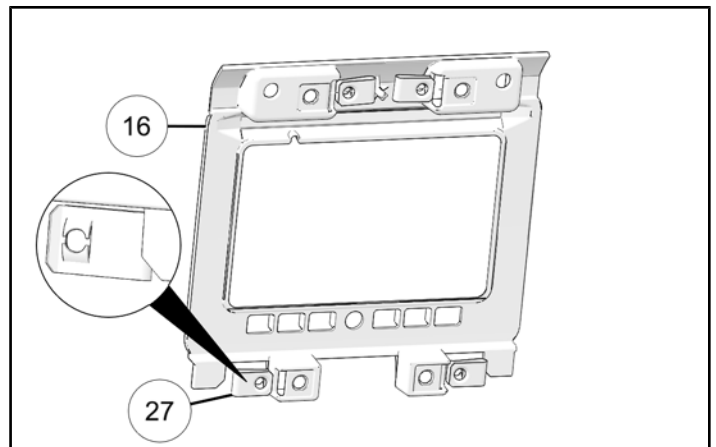


DISPLAY INSTALLATION (KIT P/N 2884072)

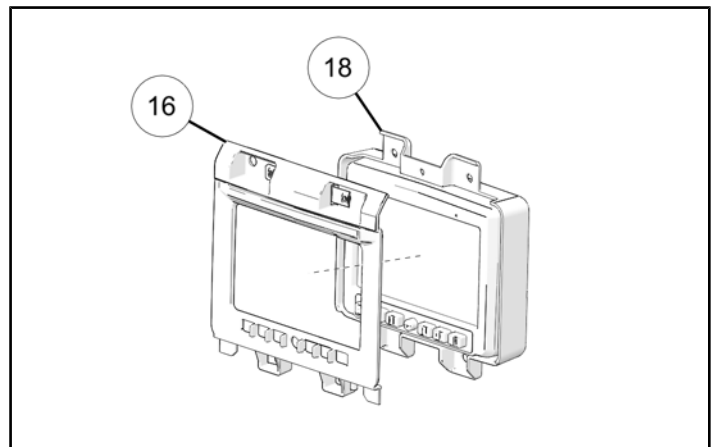
1. Install display (Kit P/N 2884072) onto the dash mount **18**.



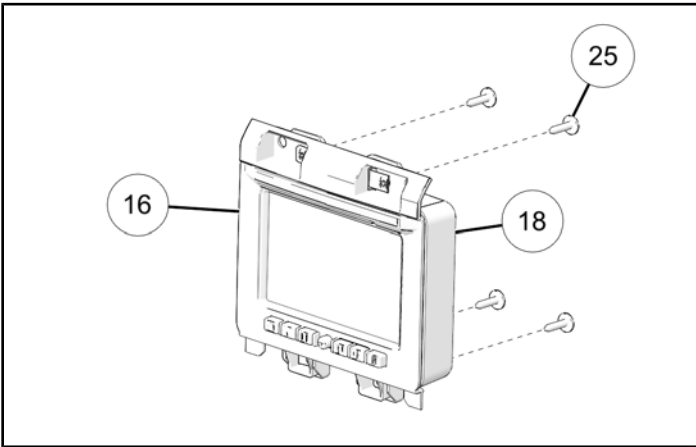
2. Install four u-nuts **27** onto bezel display **16**. Make sure the correct side for u-nuts is installed correctly.



3. Install assembled bezel display **16** onto dash mount **18**.



- Attach bezel display ⑬ onto dash mount ⑱ with four bezel screws ⑳.



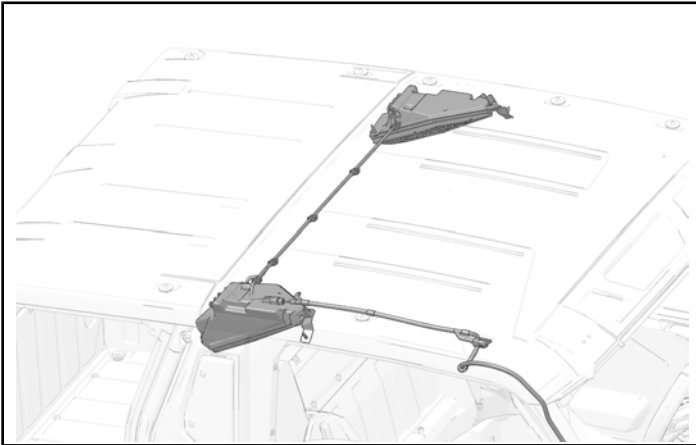
- Torque four bezel screws ⑳ to specification.

TORQUE

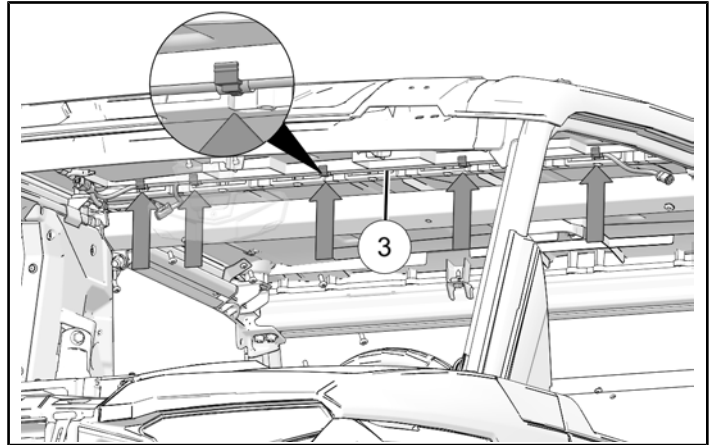
Bezel Screws ⑳:
53 in-lbs (6 N·m)

AUDIO HARNESS INSTALLATION (TWO PASSENGER VEHICLE)

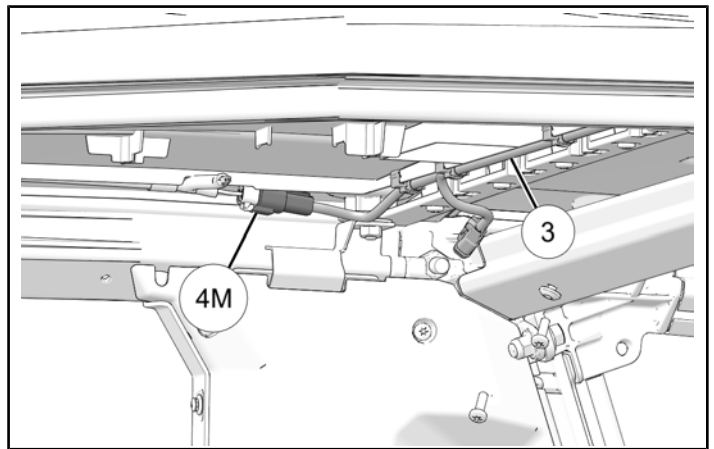
- Harness Overview



- Install harness ③ along the roof with five edge clips.

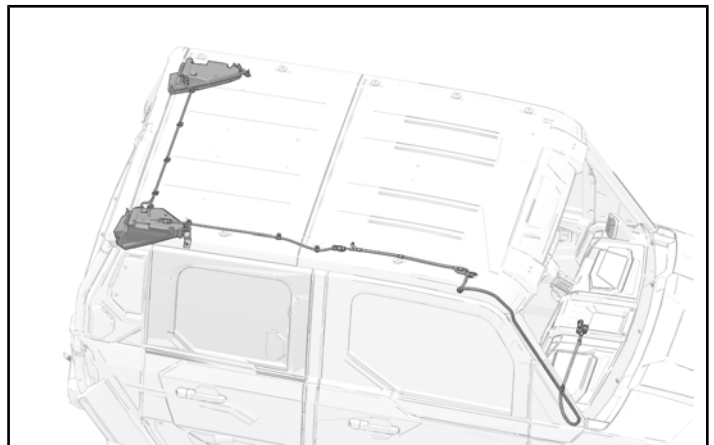


- Connect harness ③ connector 4M to vehicle harness.

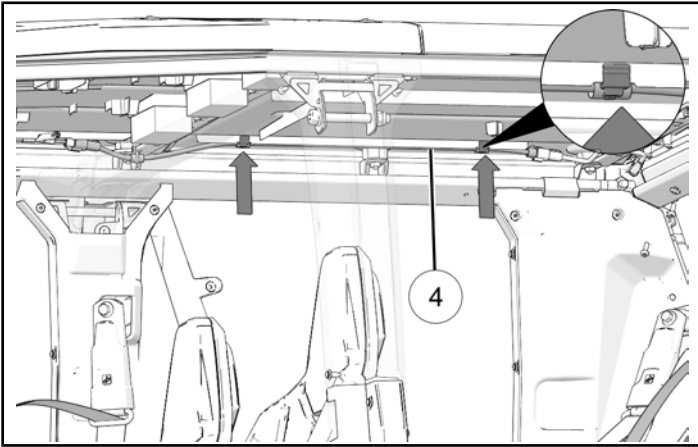


AUDIO HARNESS INSTALLATION (MULTI-PASSENGER VEHICLE)

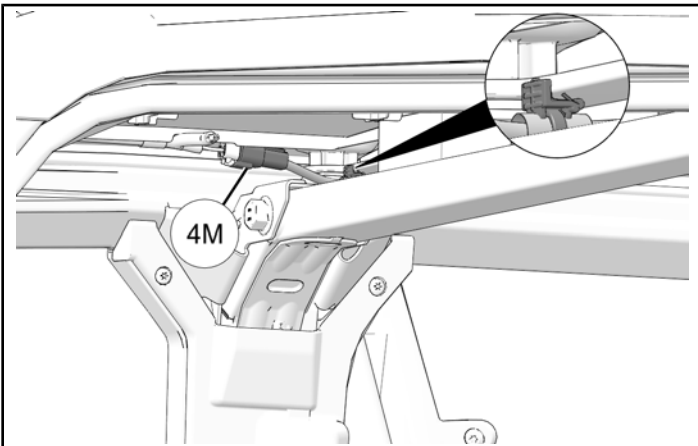
- Harness Overview



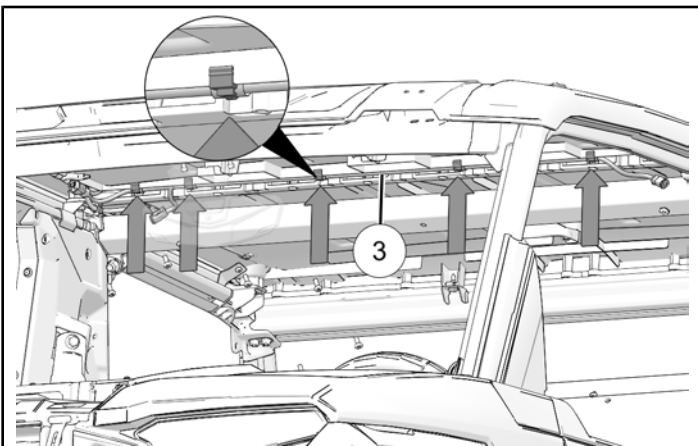
1. Install rear audio harness ④ along roof with two edge clips.



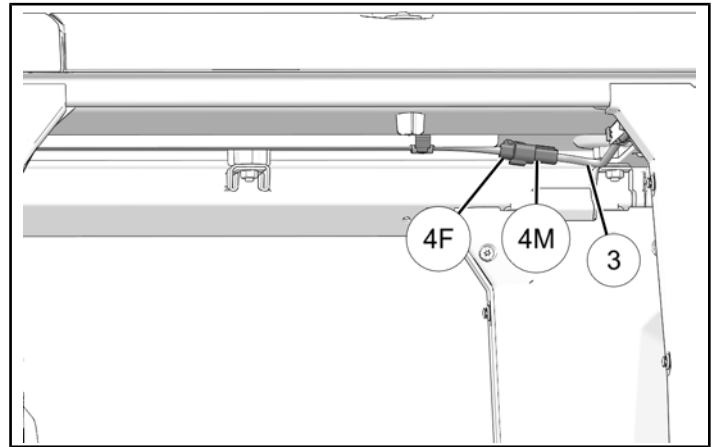
2. Connect rear audio harness connector 4M to vehicle harness. Attach harness with edge clip as shown.



3. Install harness ③ along the back of the roof with five edge clips.



4. Connect rear audio harness connector 4F to harness ③ connector 4M.

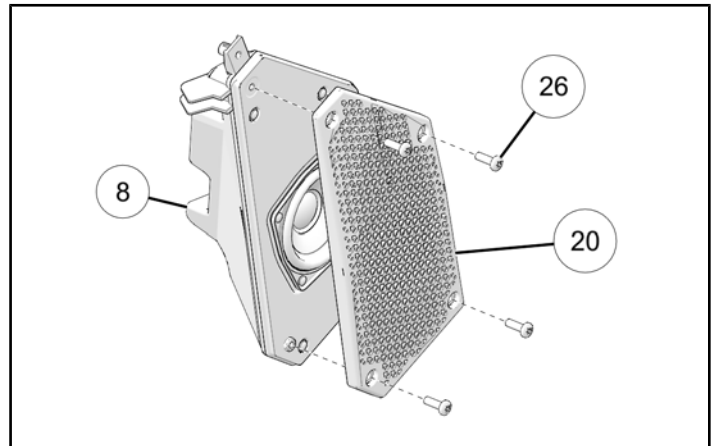


REAR AUDIO ASSEMBLY

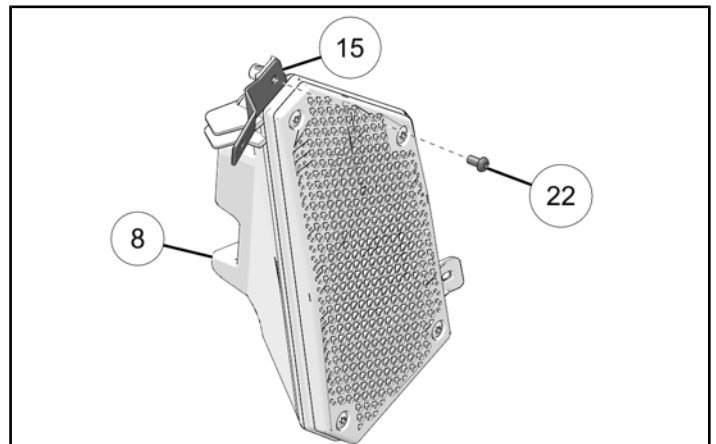
NOTICE

Left audio shown; right audio similar.

1. Install panel grille ⑳ onto speaker ⑧ with four grille screws ㉔. Install screws until fully seated.



2. Install bracket pod mount ⑮ onto speaker with one pod mount screw ㉒.



3. Torque pod mount screw ⑳ to specification.

TORQUE

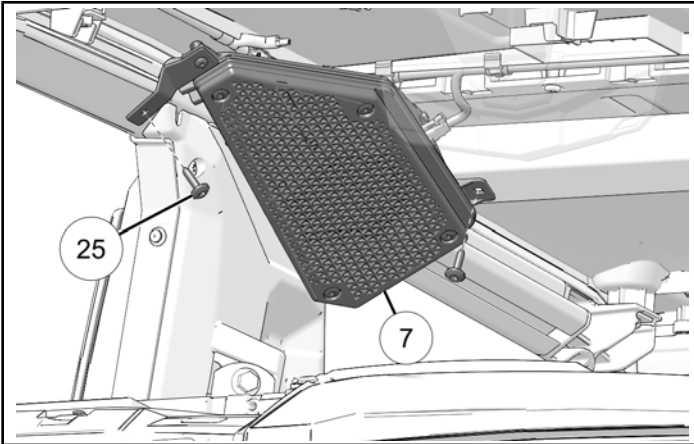
Pod Mount Screw ⑳:
30 in-lbs (3.5 N·m)

REAR AUDIO INSTALLATION

NOTICE

Right audio shown; left audio similar.

1. Install rear audio assembly ⑦ to vehicle roof with two screws ㉕.

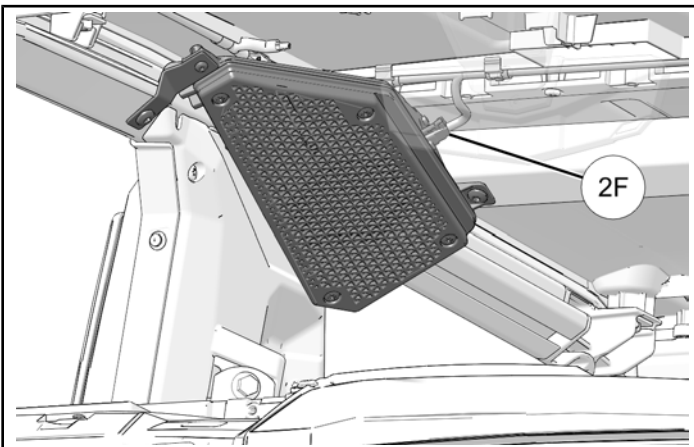


2. Torque audio screws to specification.

TORQUE

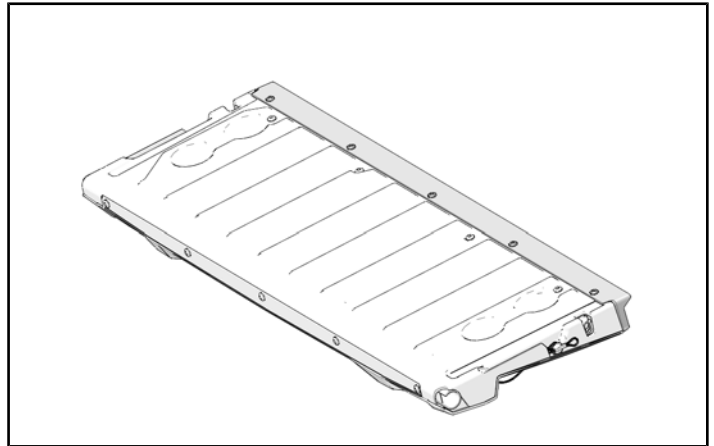
Audio Screws ㉕:
53 in-lbs (6 N·m)

3. Connect harness connector 2F to rear audio assembly connection.

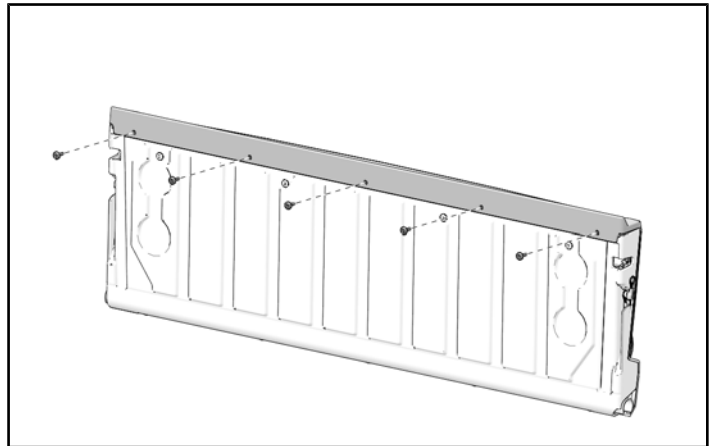


TAILGATE CAMERA ASSEMBLY

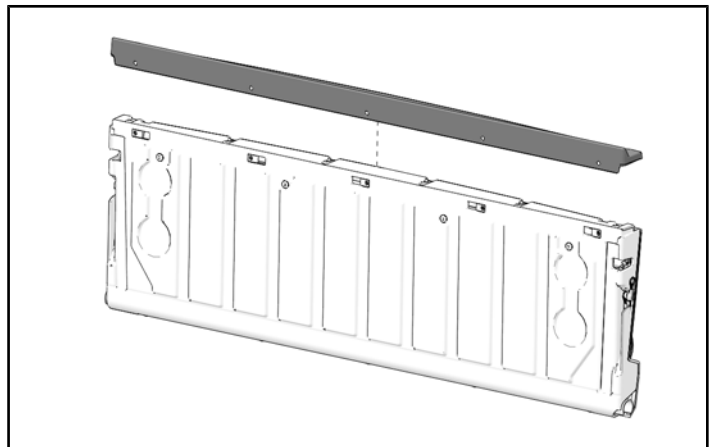
1. Put tailgate assembly with Polaris® logo down.



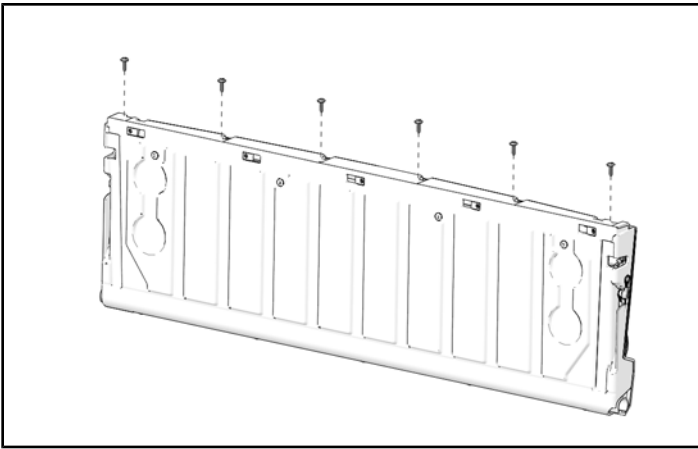
2. Remove and keep five screws from tailgate cap.



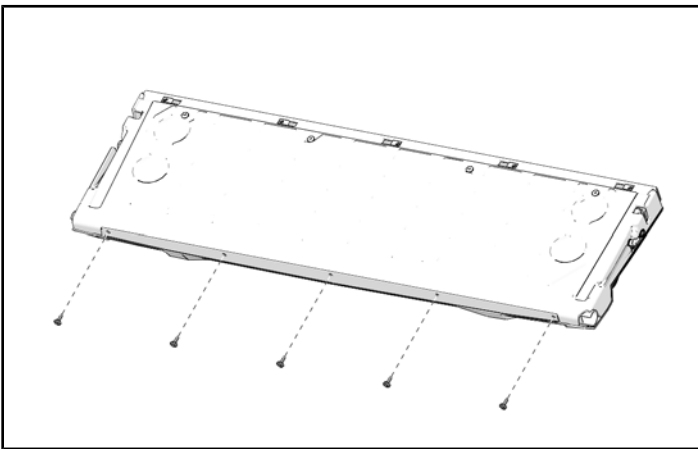
3. Remove and keep tailgate cap.



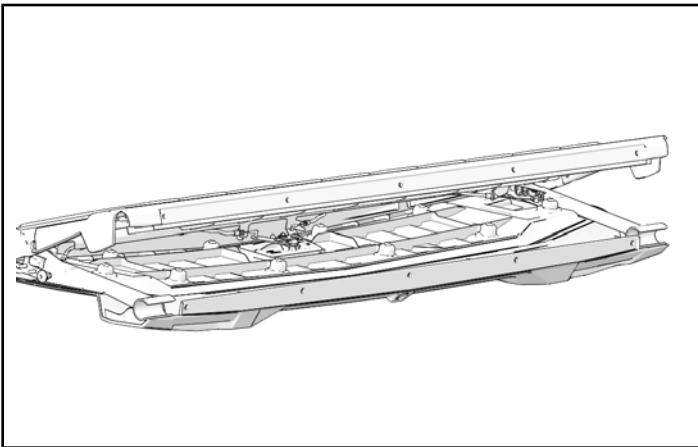
4. Remove and keep six screws.



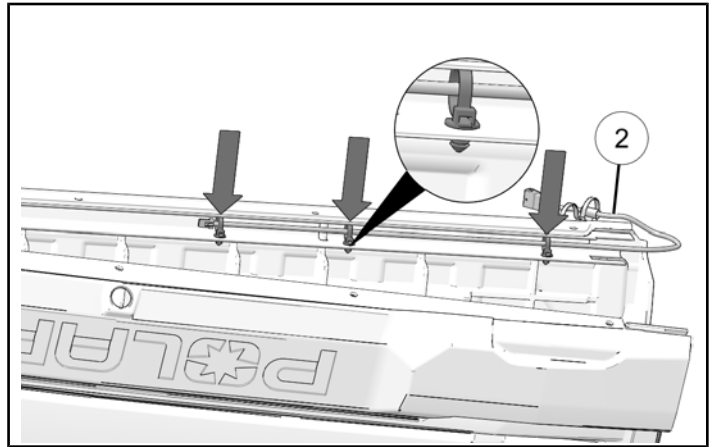
5. Remove and keep five screws from bottom of tail gate assembly.



6. Open tailgate partway.



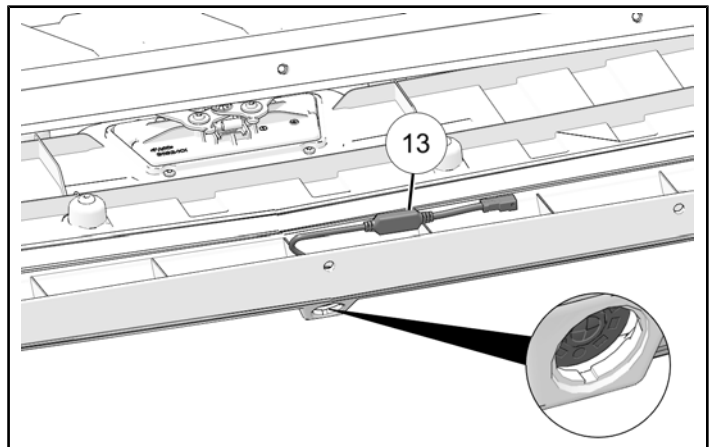
7. Install tailgate harness ② onto tailgate with three cable ties.



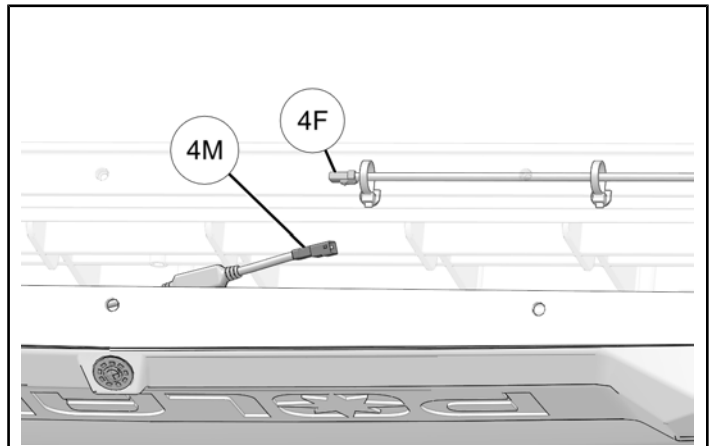
8. Install camera ⑬. Make sure the camera is aligned with notch in front.

NOTICE

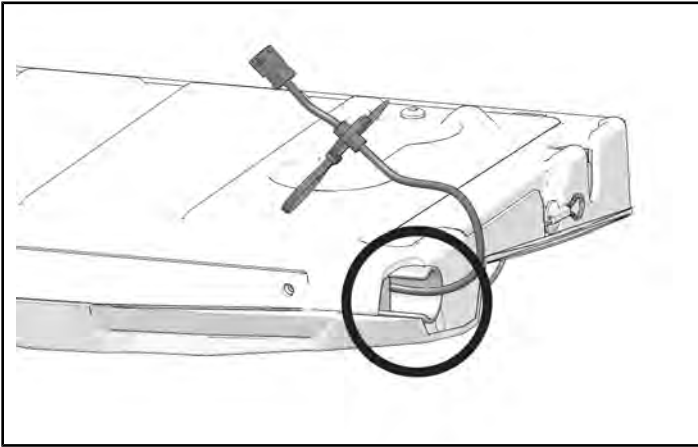
Pull camera to make sure it is not moving and the tabs are seated fully.



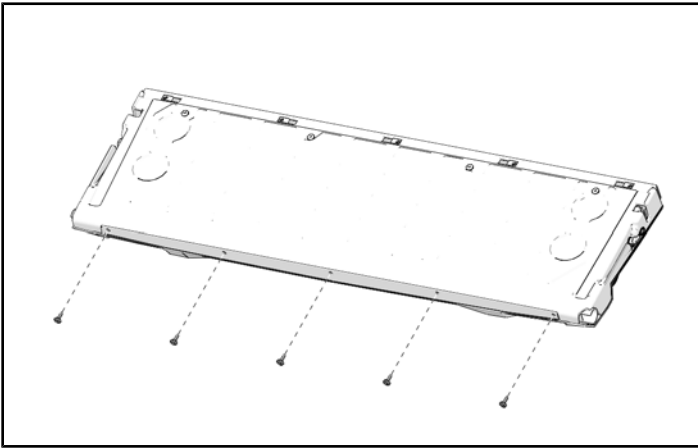
9. Connect camera connector 4M to tailgate harness connector 4F.



10. Route tailgate harness through tube before closing tailgate.



11. Install five kept screws to bottom of tailgate assembly.

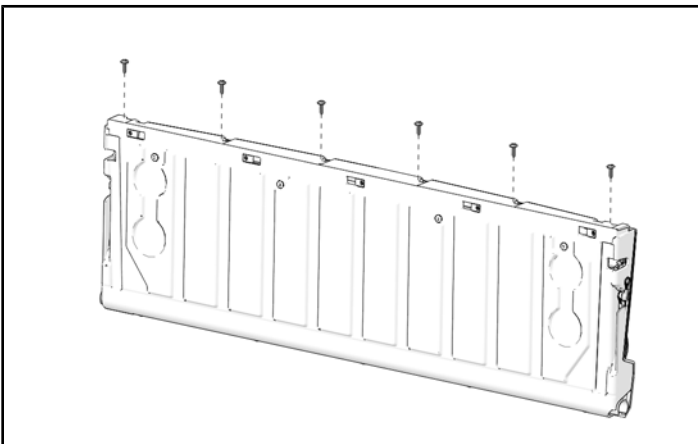


12. Torque five bottom tailgate screws to specification.

TORQUE

Bottom Tailgate Screws:
35 in-lbs (4 N·m)

13. Install six kept screws onto tailgate.

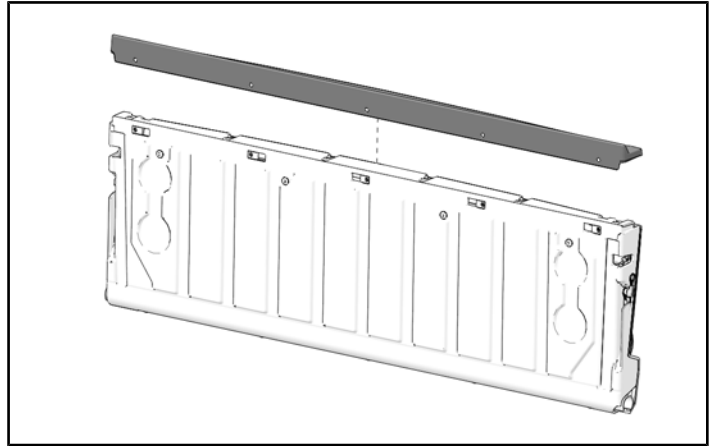


14. Torque top tailgate screws to specification.

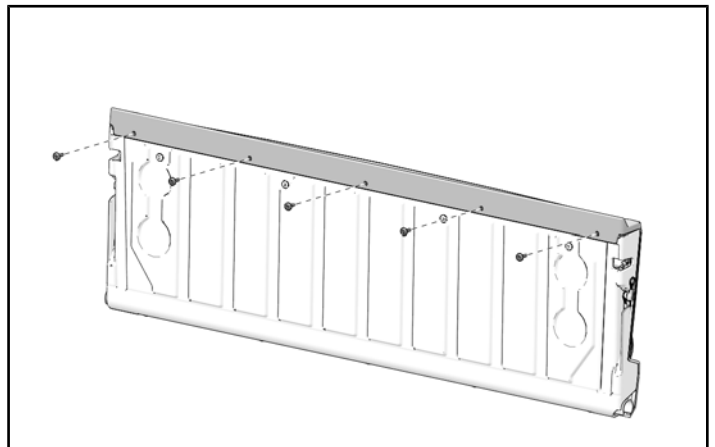
TORQUE

Top Tailgate Screws:
17 in-lbs (2 N·m)

15. Install kept tailgate cap.



16. Install five kept screws onto tailgate cap.



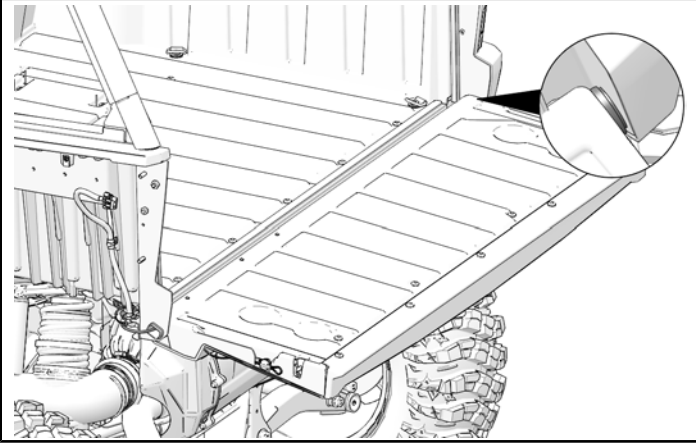
17. Torque five tailgate screws to specification.

TORQUE

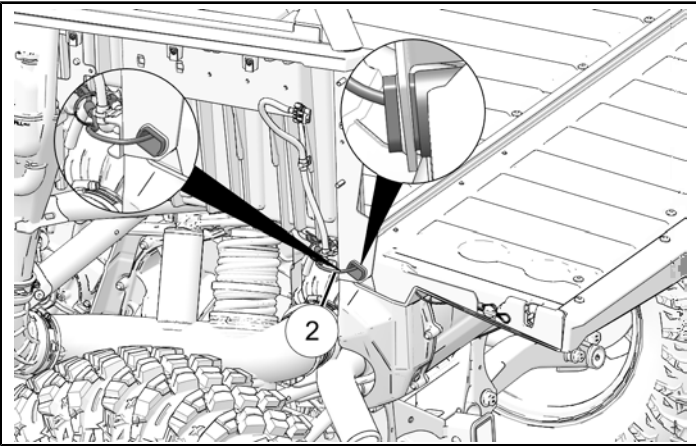
Tailgate Screws:
17 in-lbs (2 N·m)

TAILGATE CAMERA INSTALLATION

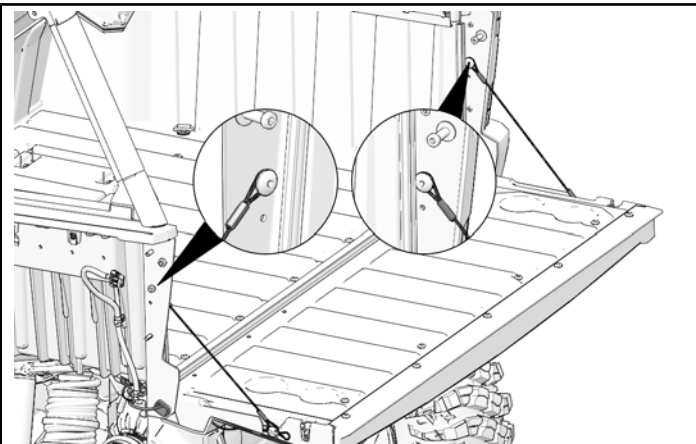
1. Install right tailgate hinge into box hinge.



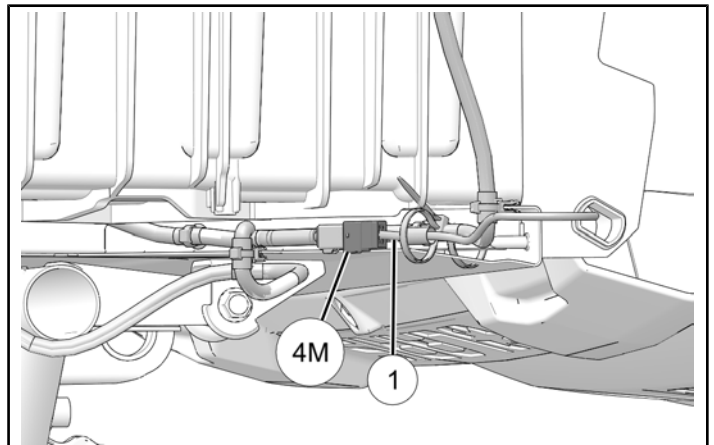
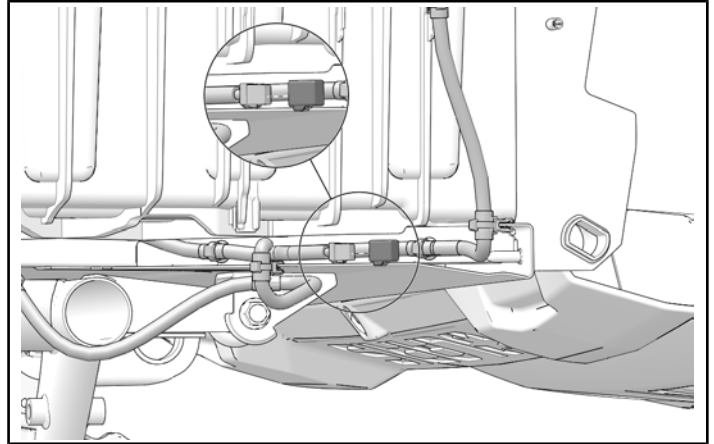
2. Route tailgate harness ② through left box hinge first. Put left tail gate hinge into box hinge.



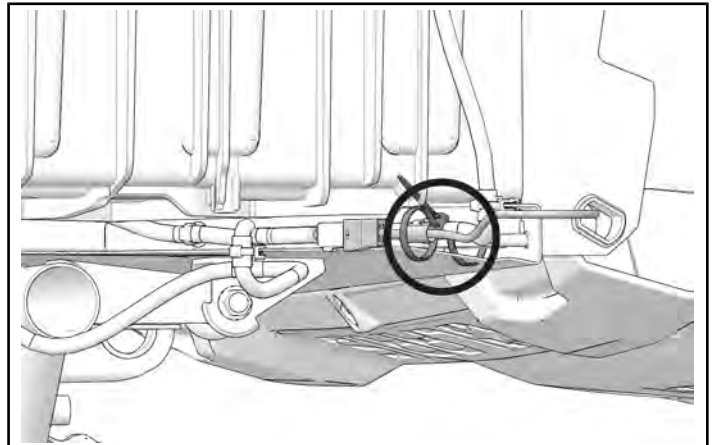
3. Hang cable ties to upper mounts.



4. Disconnect dummy connector from vehicle harness. Connect tailgate harness ① connector 4M to vehicle harness underneath vehicle box.

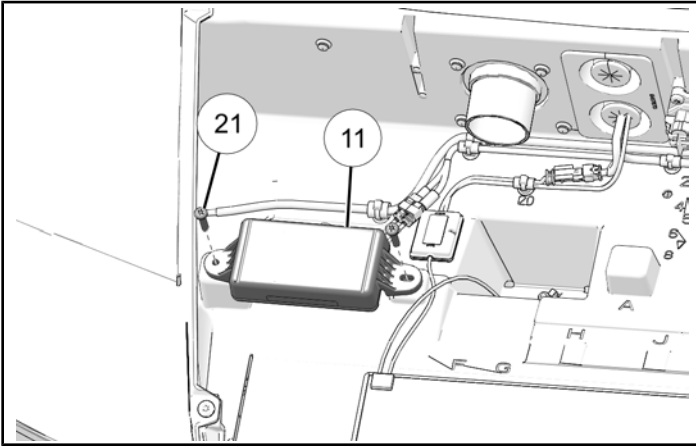


5. Attach tailgate harness to vehicle harness with cable tie.



GPS AND FRONT CAMERA INSTALLATION.

1. Install GPS ⑪ with two screws ⑳.



2. Torque two screws ⑳ to specification.

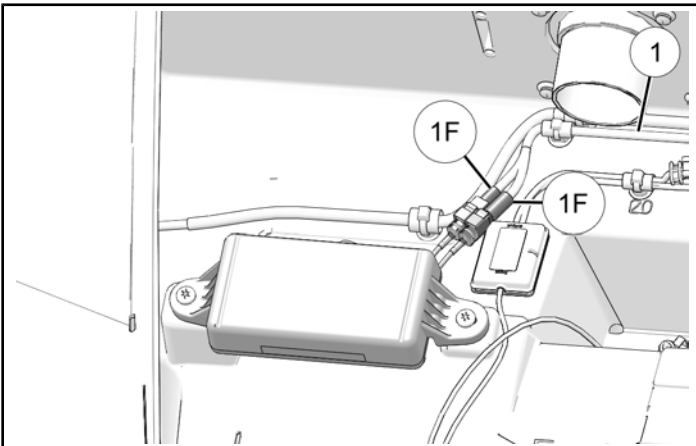
TORQUE

GPS Screws ⑳:
26 in-lbs (3 N·m)

3. Connect harness ① connectors 1F (Light Blue) and 1F (Yellow) to the GPS.

NOTICE

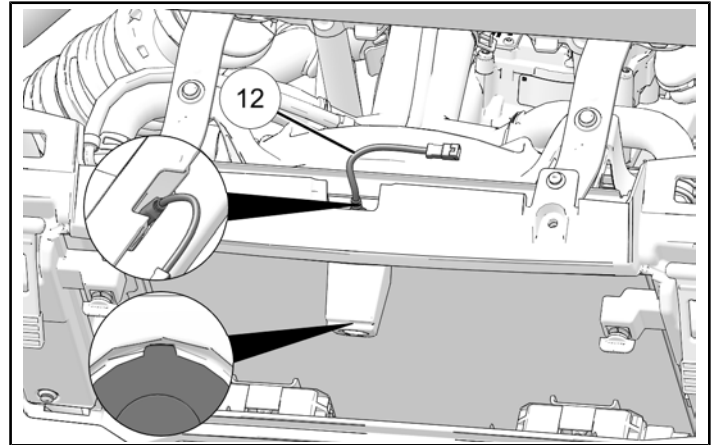
GPS connections will have yellow and blue rings.



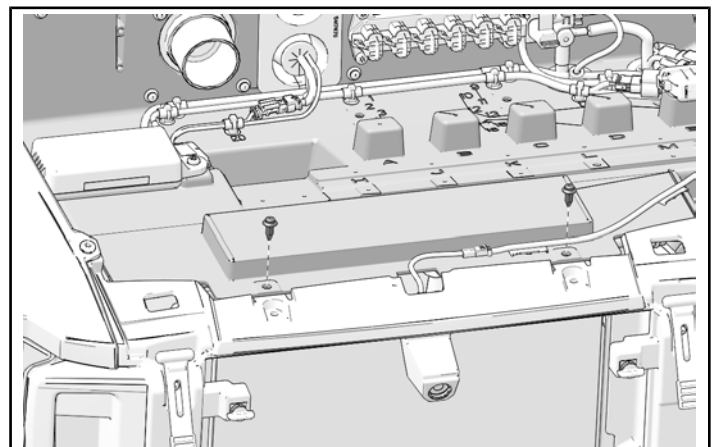
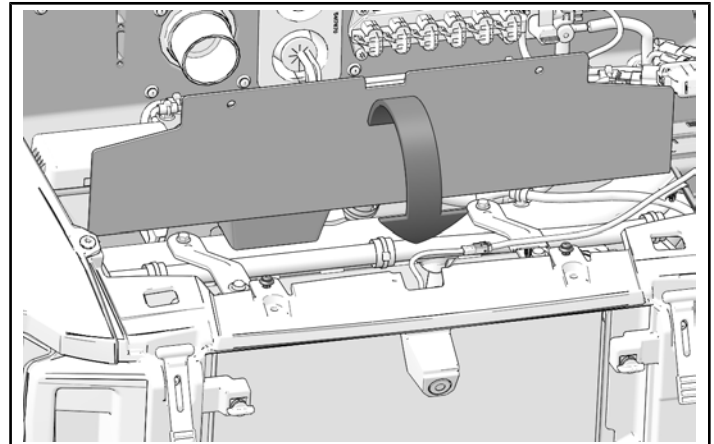
4. Install front camera ⑫ into slot. Make sure the front camera fits into top indent when installing camera.

NOTICE

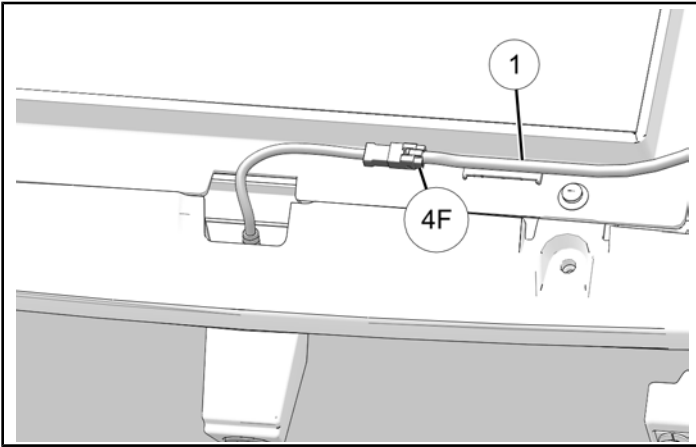
Pull camera to make sure it is not moving and the tabs are seated fully.



5. Close underhood liner front panel and install two push-pin rivets.

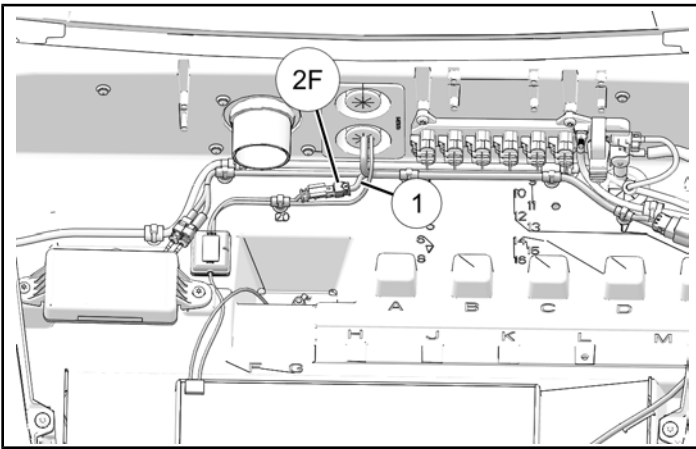


- Connect harness ① connector **4F** to front camera.



ANTENNA CONNECTION

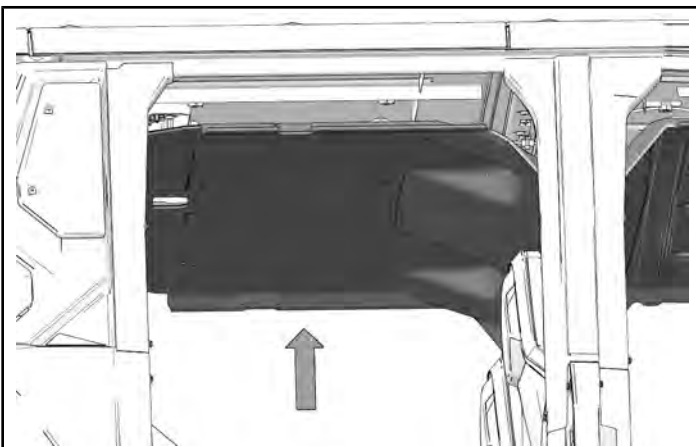
- Connect harness ① connector **2F** to antenna harness.



VEHICLE REASSEMBLY

MID ROOF LINER INSTALLATION

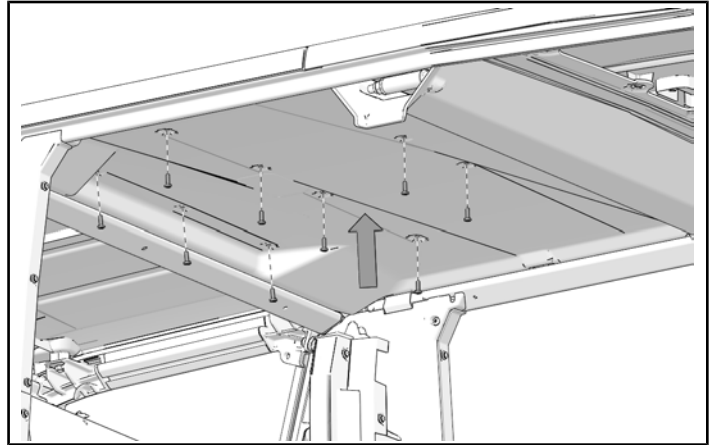
- Install mid roof liner.



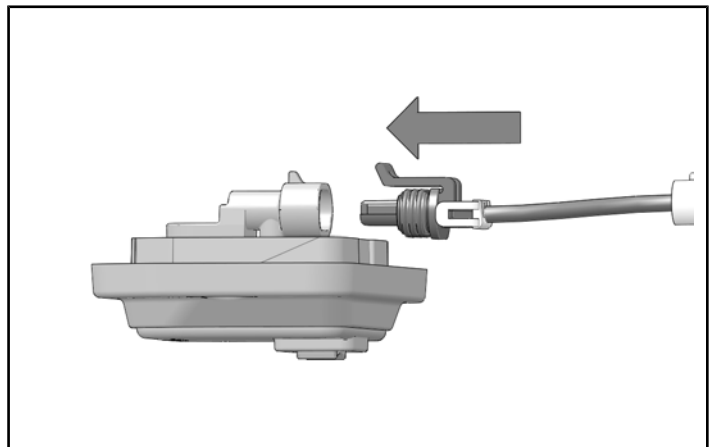
- Install nine screws in top of roof liner. Torque screws to specification.

TORQUE

Roof Liner Screws:
27 in-lbs (3 N·m)



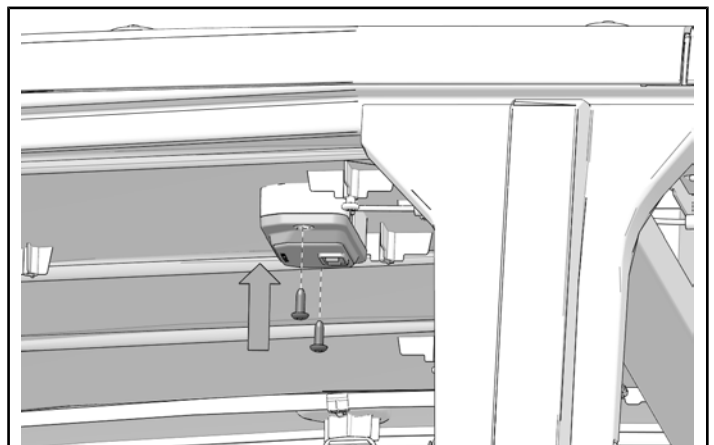
- Connect wiring harness to dome light.



- Install dome light with two screws. Torque screws to specification.

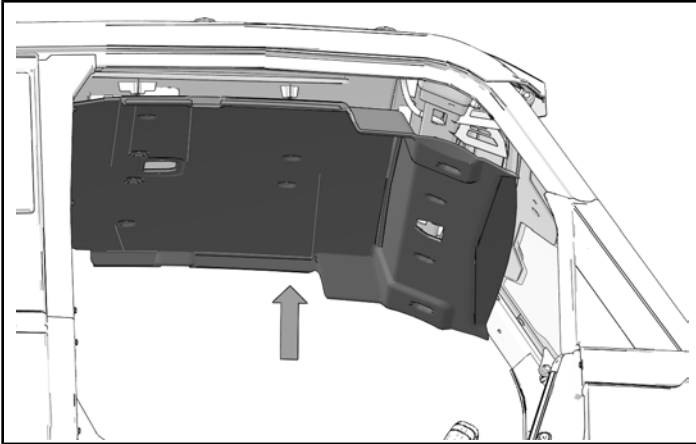
TORQUE

Dome Light Screws:
22 in-lbs (2.5 N·m)



FRONT ROOF LINER INSTALLATION

1. Install front roof liner.



2. Install six screws in top of roof liner and four screws in front of roof liner. Torque screws to specification.

NOTICE

Vehicles that are not equipped with rearview mirror will have a fifth screw at front of roof liner.

NOTICE

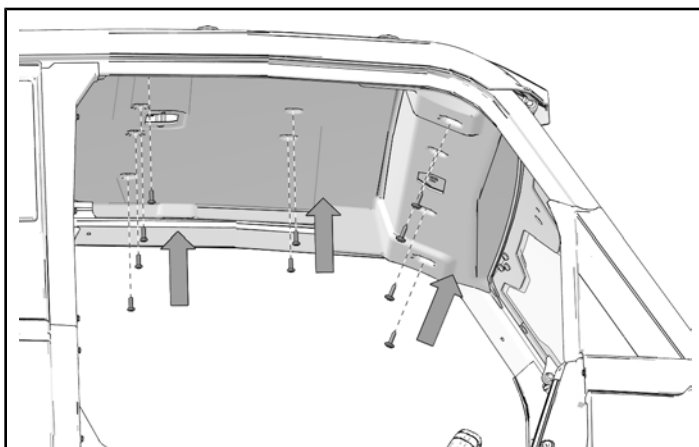
Vehicles equipped with 2-passenger cab will have three additional screws near rear of roof liner.

TORQUE

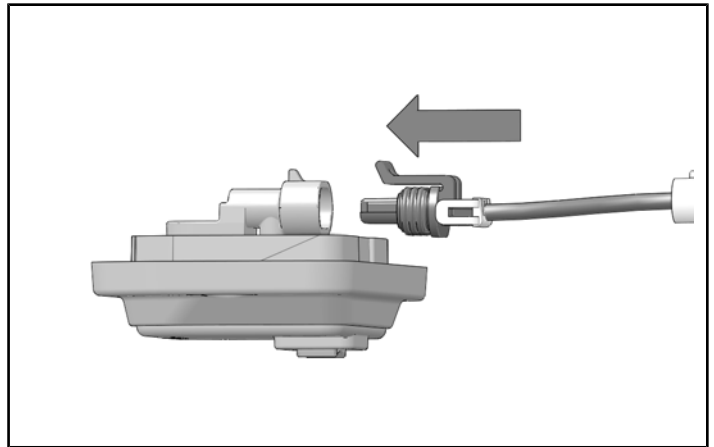
Top Roof Liner Screws:
27 in-lbs (3 N·m)

TORQUE

Front Roof Liner Screws:
44 in-lbs (5 N·m)



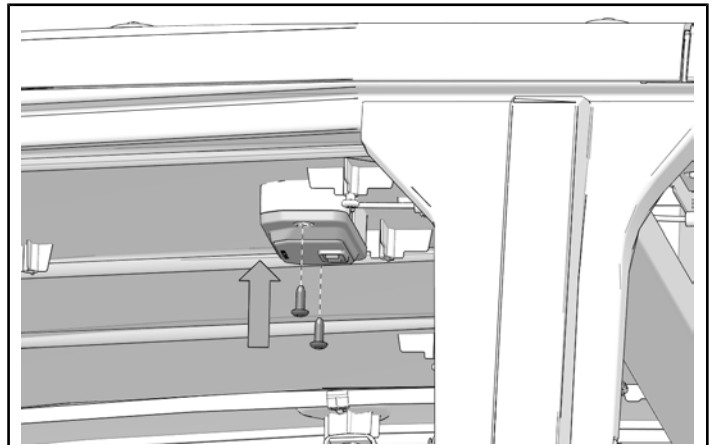
3. Connect wiring harness to dome light.



4. Install dome light with two screws. Torque screws to specification.

TORQUE

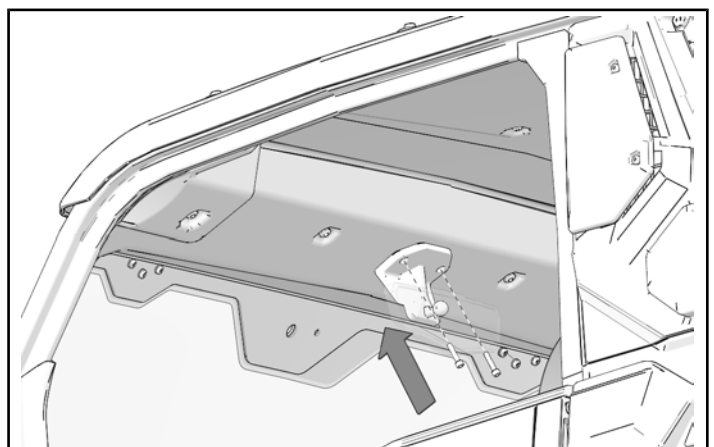
Dome Light Screws:
22 in-lbs (2.5 N·m)



5. Install rearview mirror assembly with two screws. Torque screws to specification.

TORQUE

Mirror Screws:
31 in-lbs (3.5 N·m)



INSTALL DASHBOARD

NOTICE

Doors hidden for clarity.

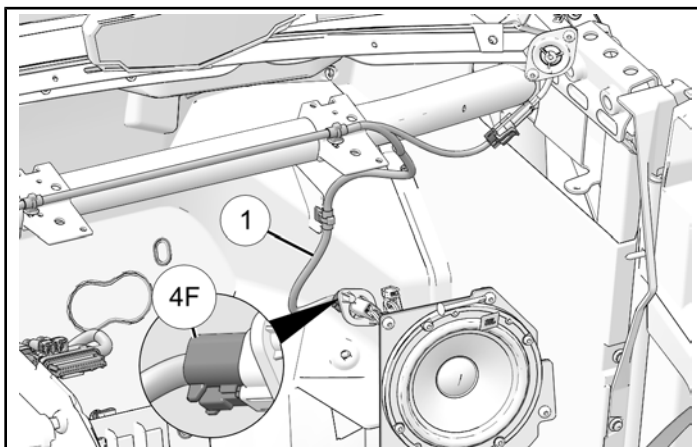
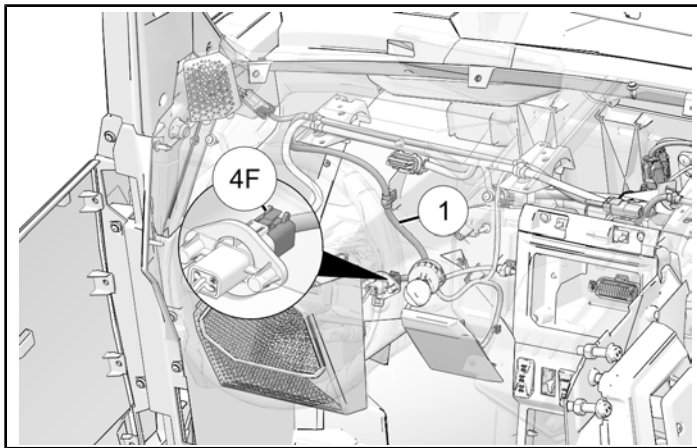
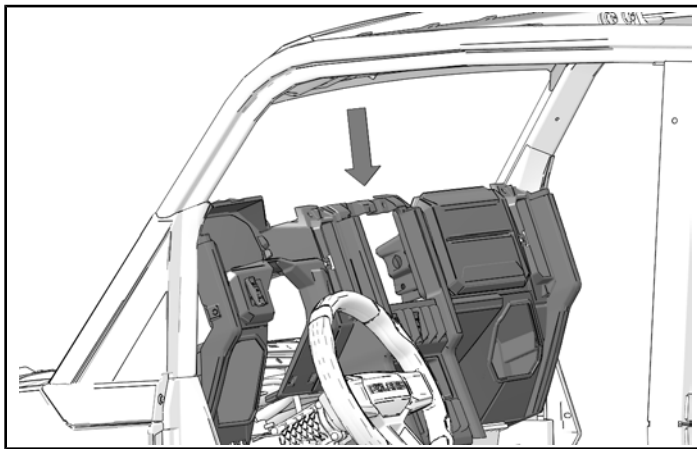
1. Install dashboard in vehicle. Connect harness ① **4F** to left and right speaker

NOTICE

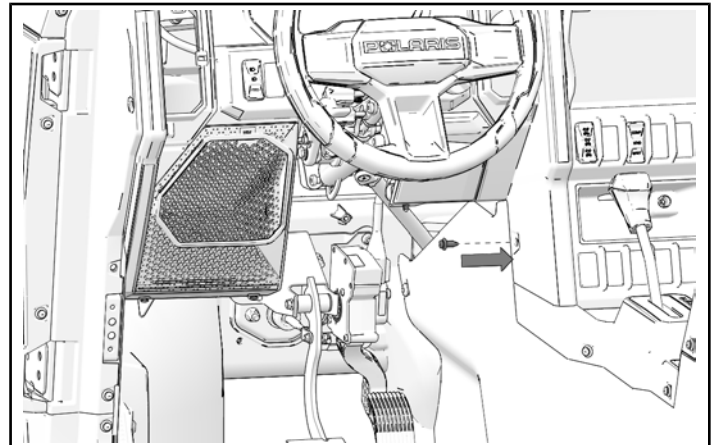
Make sure to connect electronic components (switches, speakers, etc.) as dashboard is installed.

NOTICE

Parts hidden for clarity.

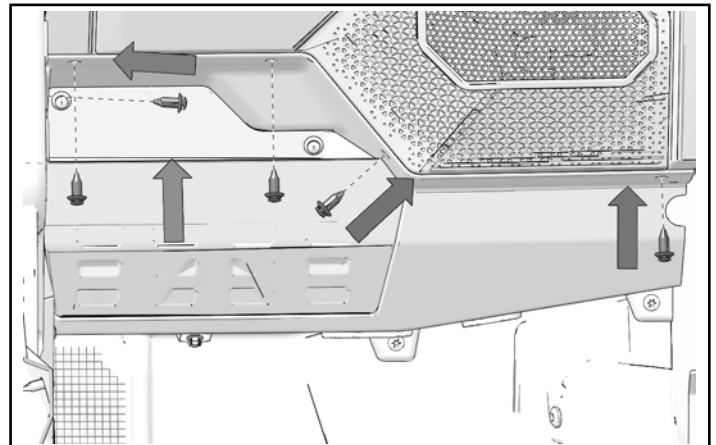


2. Install push-pin rivet at bottom of dashboard in front of drivers seat.

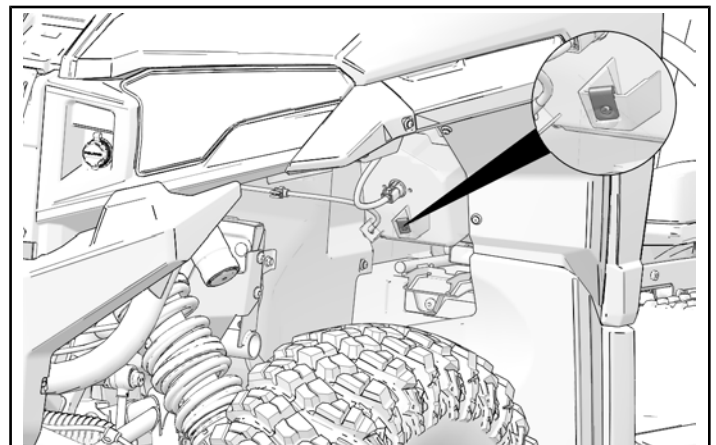


3. Install five push-pin rivets at bottom of dashboard in front of passenger seat.

NOTICE



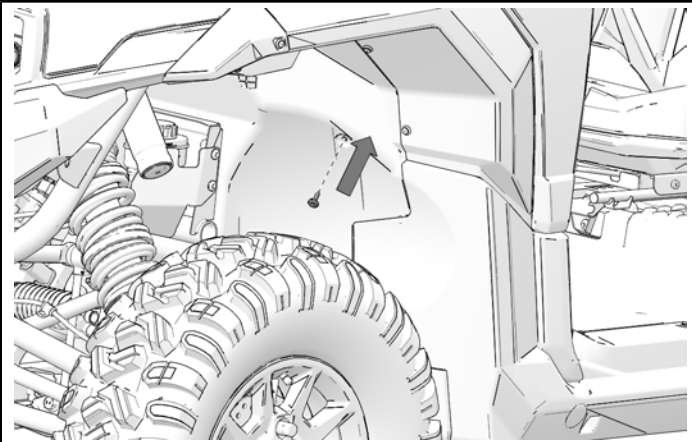
4. Make sure the clip on the dashboard is installed as shown.



5. Install one screw in each front wheel well.

NOTICE

Left side shown; right side similar.



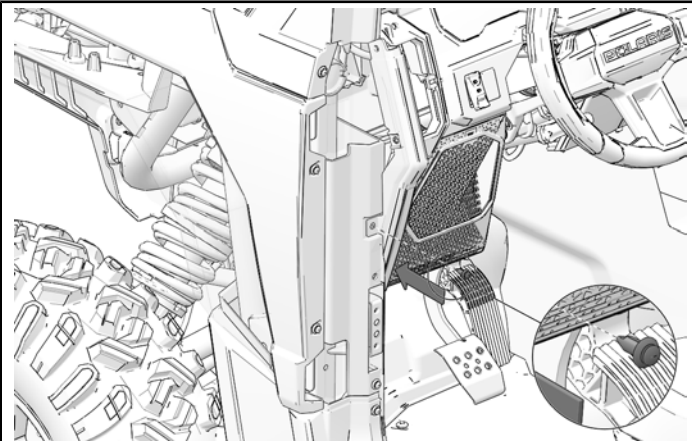
6. Carefully pull trim away from vehicle and install one push-pin rivet in side of dashboard.

NOTICE

Left side shown; right side similar.

NOTICE

Trim hidden for clarity.



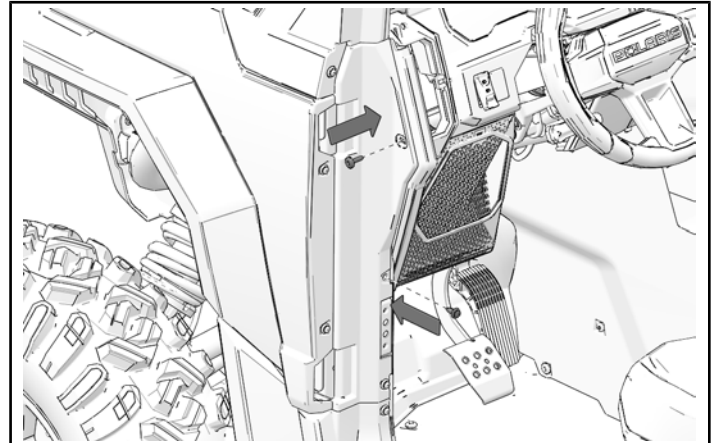
7. Install screw and push-pin rivet in left side door frame.

NOTICE

Left side shown; right side similar.

NOTICE

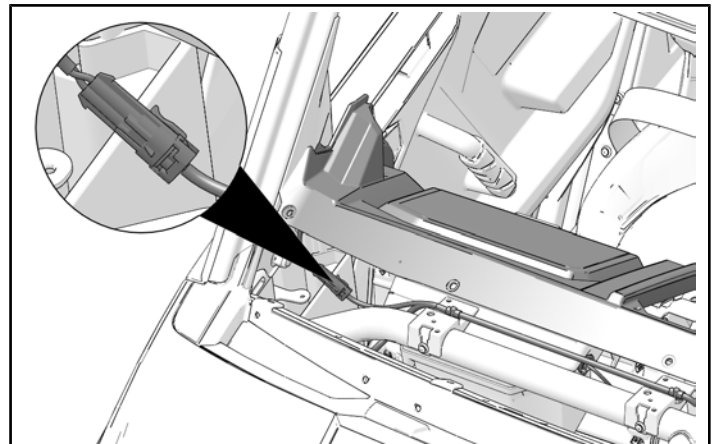
Doors will need to be fully open to access and install these fasteners.



8. Repeat Step 5 and Step 6 on right side of vehicle.

INSTALL DASH COVER

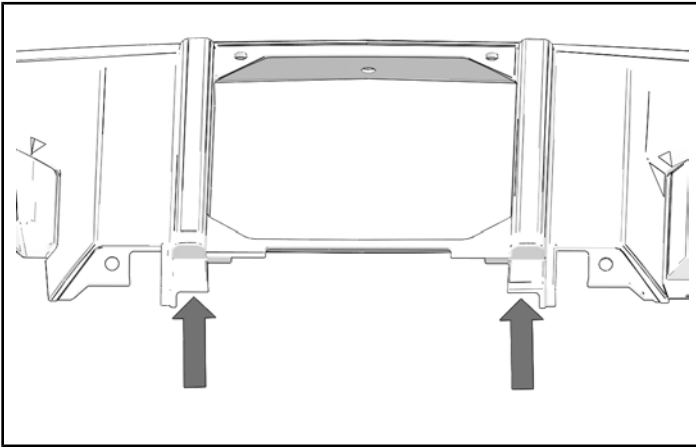
1. Connect speaker wires if necessary.



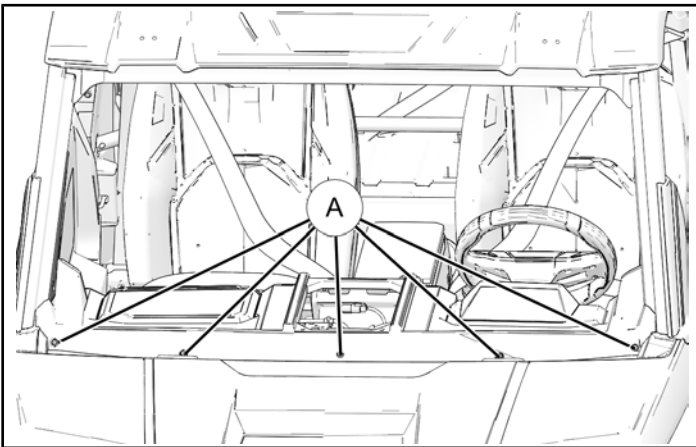
- Put front of dash cover in position and set into place. Make sure center of dash is placed in slots on vehicle.

TIP

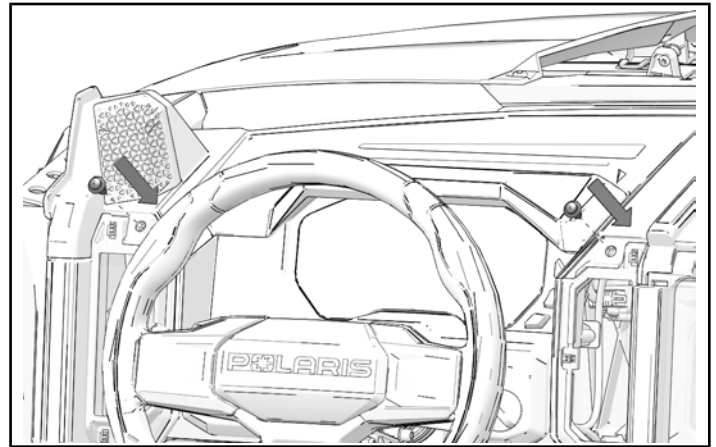
If head unit/storage bin was not removed, make sure these tabs are inserted behind the head unit trim.



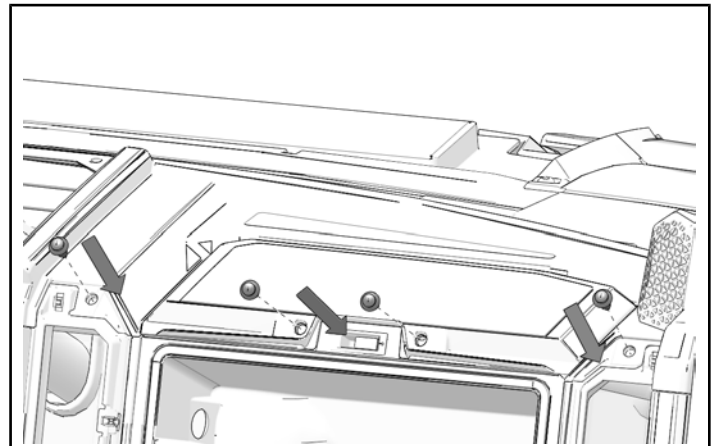
- Install five push screws (A).



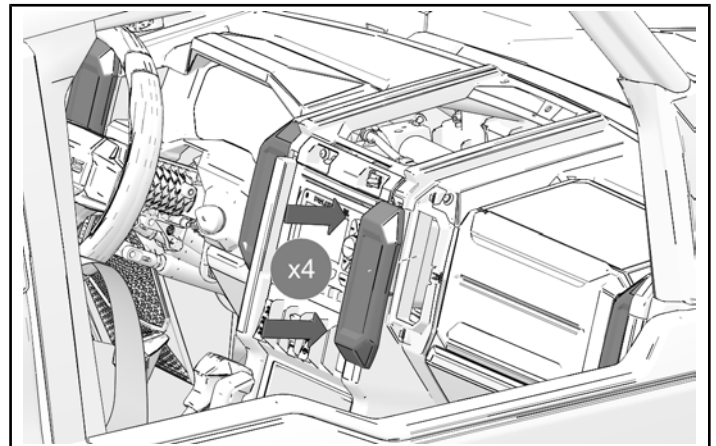
- Install two push pin rivets on drivers side of dash cover.



- Install four push pin rivets on passenger side of dash cover.



- Install four dash vent covers. Push evenly at top and bottom to install.



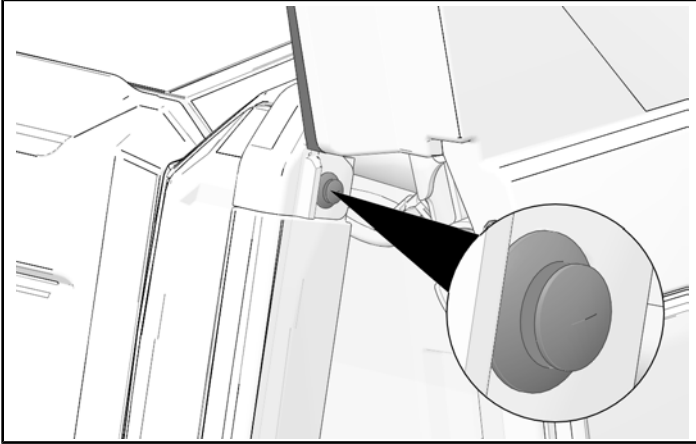
7. Install one push pin rivet at each side of dash.

NOTICE

A-pillar trim hidden for clarity.

NOTICE

Right side shown; left side similar.



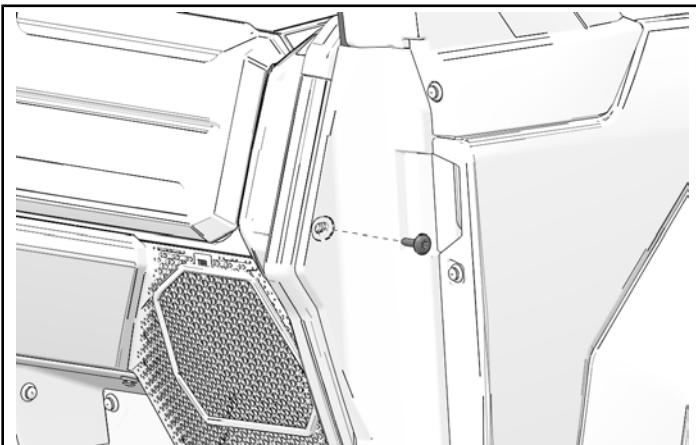
8. Install one screw at each side of dash. Torque to specification.

NOTICE

Right side shown; left side similar.

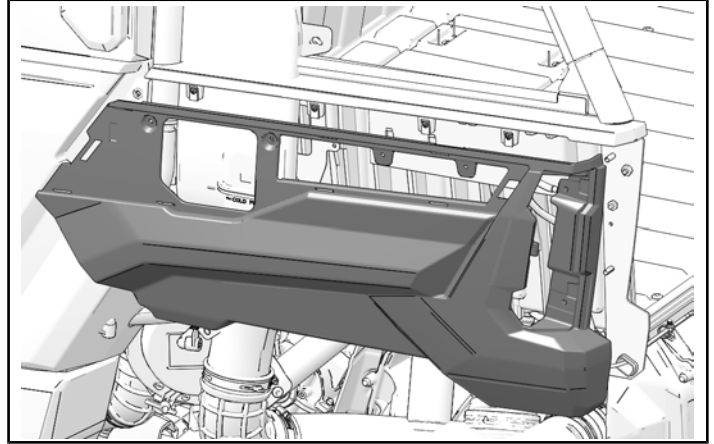
TORQUE

Dash Screws:
26.5 in-lbs (3 N·m)



OUTER PANEL BOX INSTALLATION

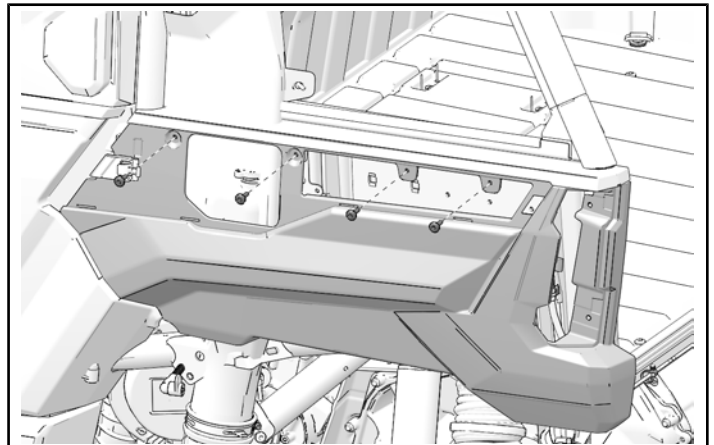
1. Install outer panel onto vehicle.



2. Install outer panel with five screws onto vehicle.

TORQUE

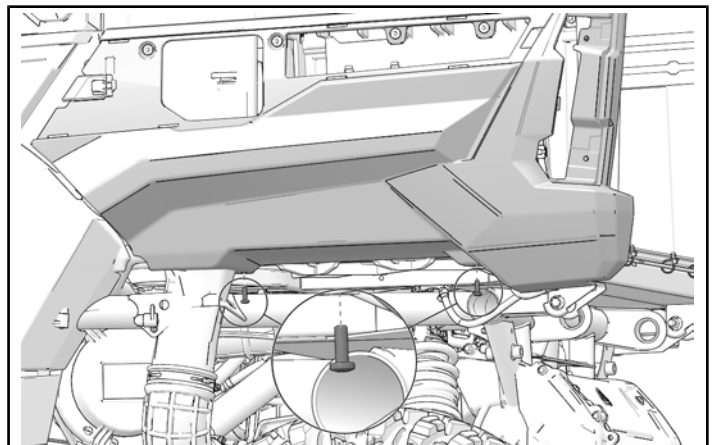
Outer Panel Screws:
44 in-lbs (5 N·m)



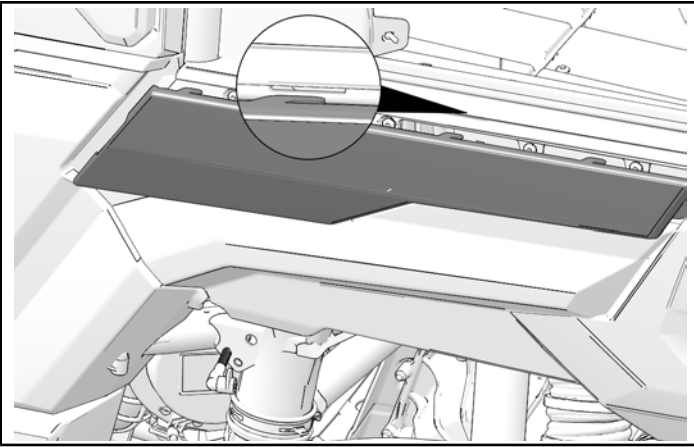
3. Install two bottom outer panel screws

TORQUE

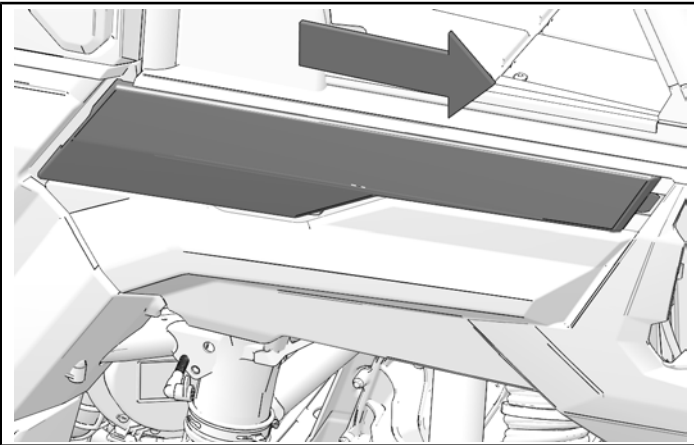
Outer Panel Screws:
17.7 in-lbs (2 N·m)



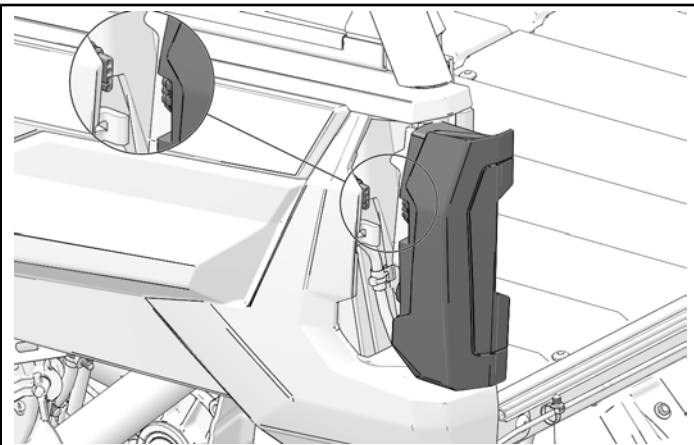
4. Install upper panel cover onto slots with hooks.



5. Slide upper panel cover to the right until it stops.



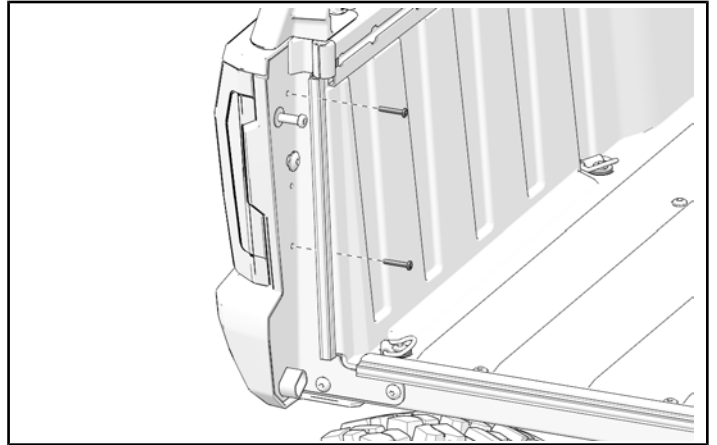
6. Connect tail light to vehicle harness connection. Put tailgate light in place.



7. Install two tailgate screws into tail gate light. Torque screws to specification.

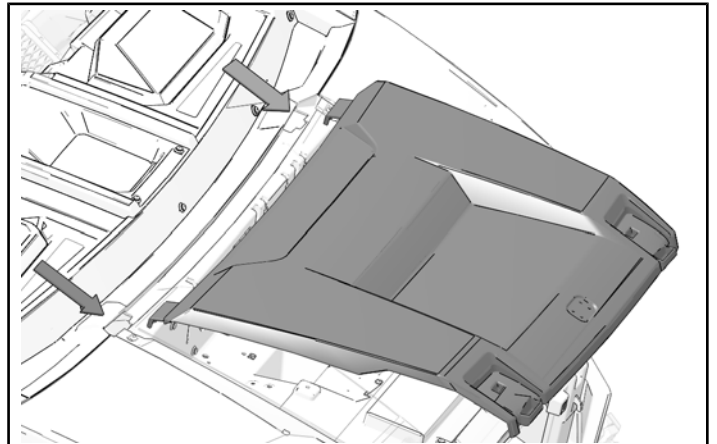
TORQUE

Tail Gate Screws:
27 in-lbs (3 N·m)

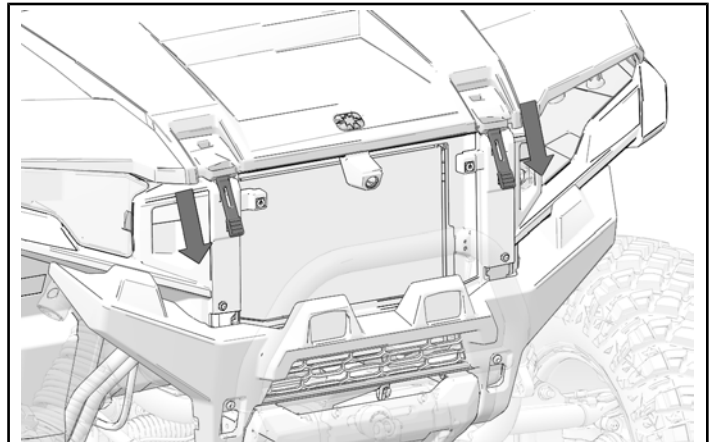


HOOD AND GRILL INSTALLATION

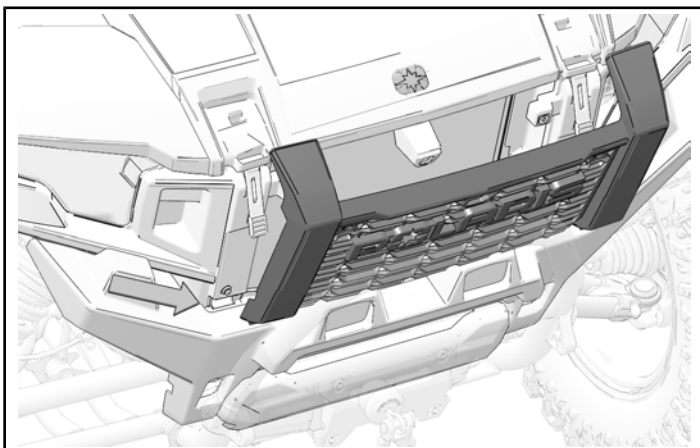
1. Put tabs on hood through openings in underhood liner. Then lower hood into position.



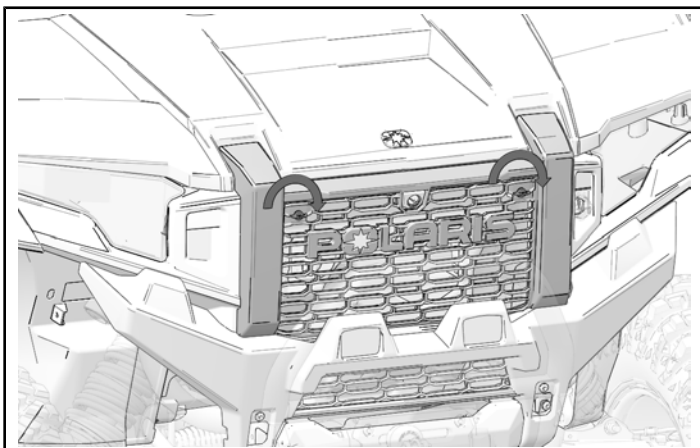
2. Pull rubber straps down over hooks to secure hood.



- Put tabs on grill through openings in front fascia. Push top of grill into proper position.



- Push each stud in and turn one-quarter turn clockwise to secure grill.

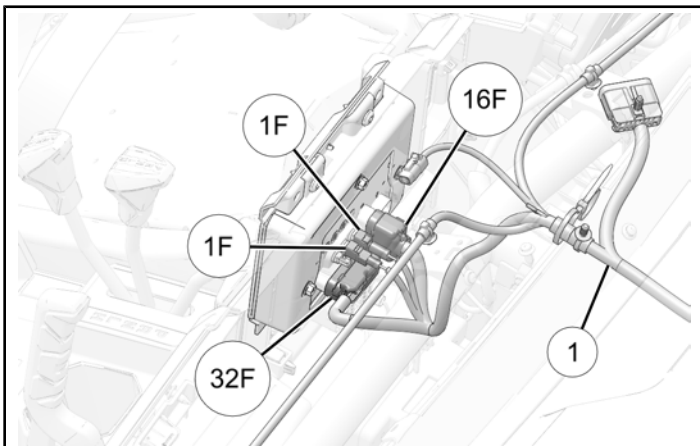


HEAD UNIT INSTALLATION

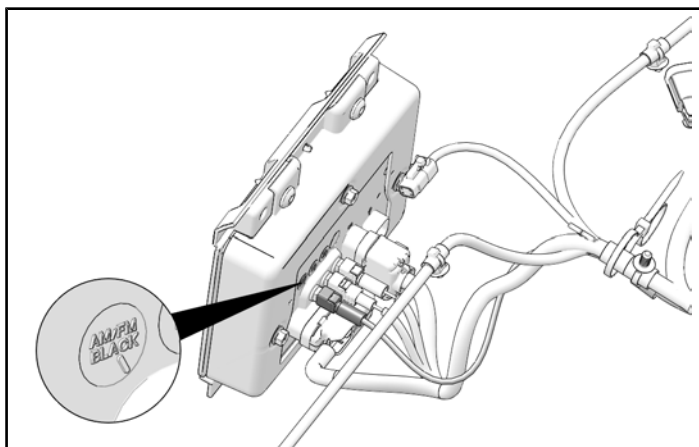
- Connect harness ① connectors **1F** (Blue), **1F** (Gold), **16F**, and **32F** to new display.

NOTICE

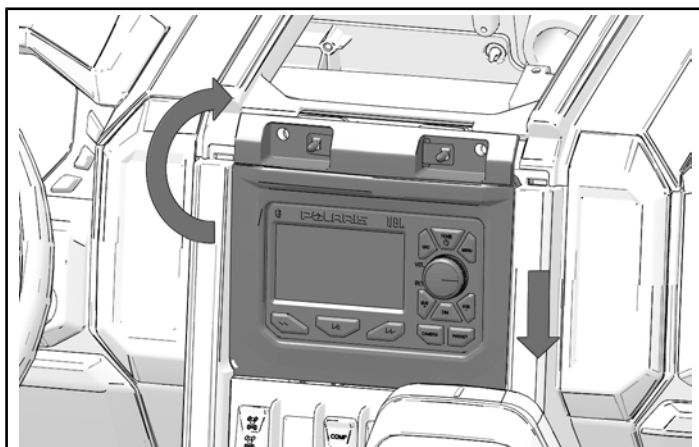
Parts hidden for clarity.



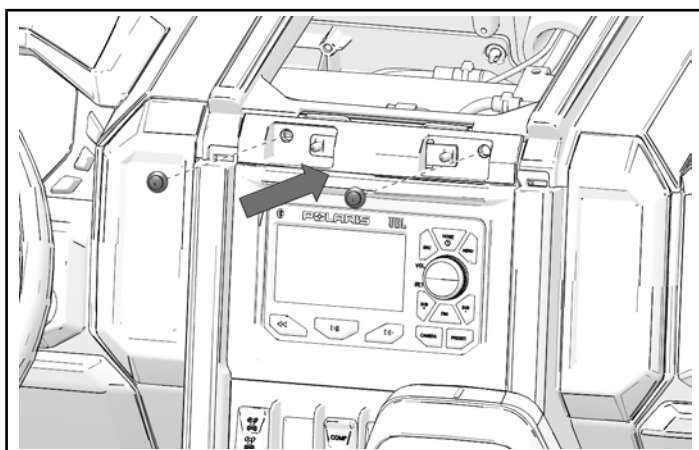
- Connect GPS harness to new display.



- Put bottom of head unit into position. Push top of head unit into dash.

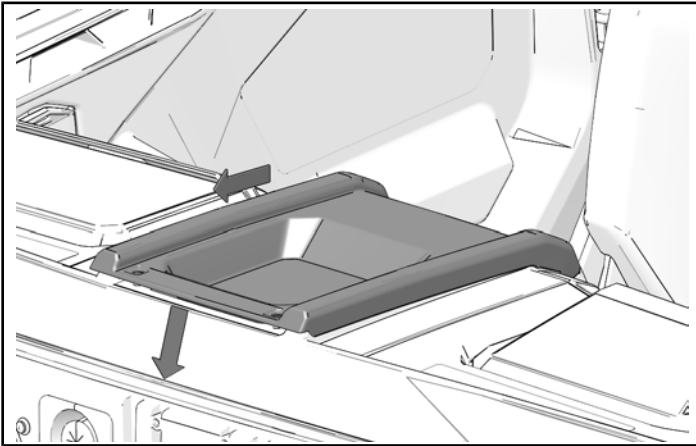


- Install two push-pin rivets into top of head unit.

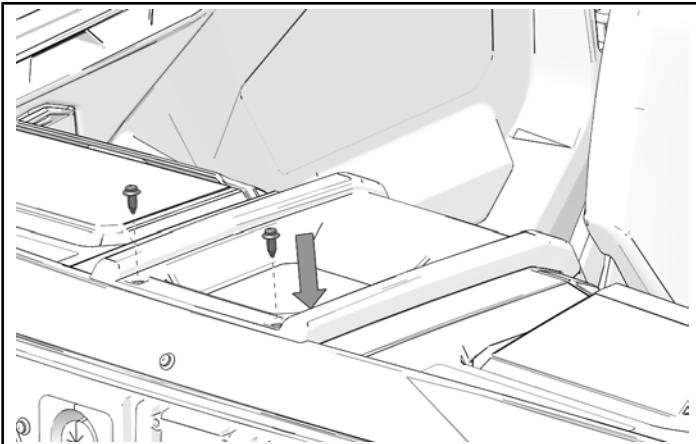


CENTER DASH PANEL INSTALLATION

1. Install center panel. Install rear tabs into dash, then lower into position.



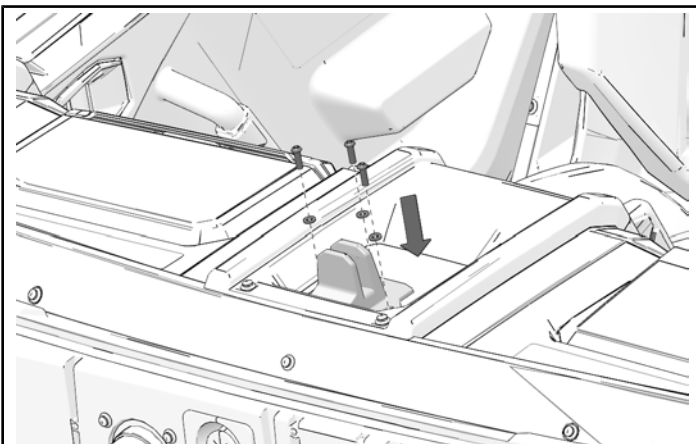
2. Install two push-pin rivets.



3. If vehicle is equipped with tip-out windshield. Install base, three screws, and washers. Torque screws to specification.

TORQUE

Base Screws:
89 in-lbs (10 N·m)



CONNECT BATTERY

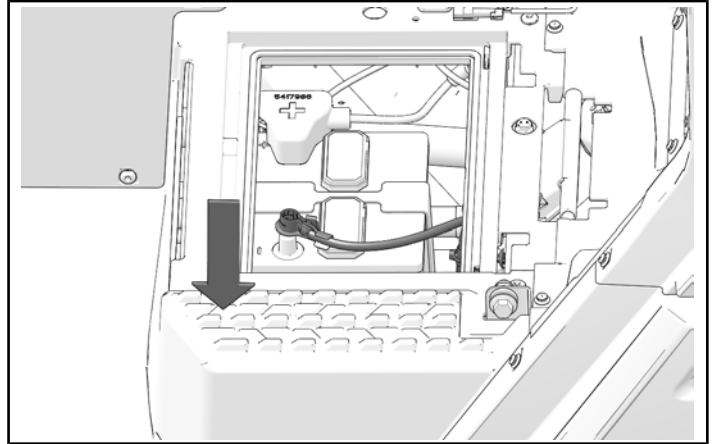
NOTICE

Doors hidden for clarity

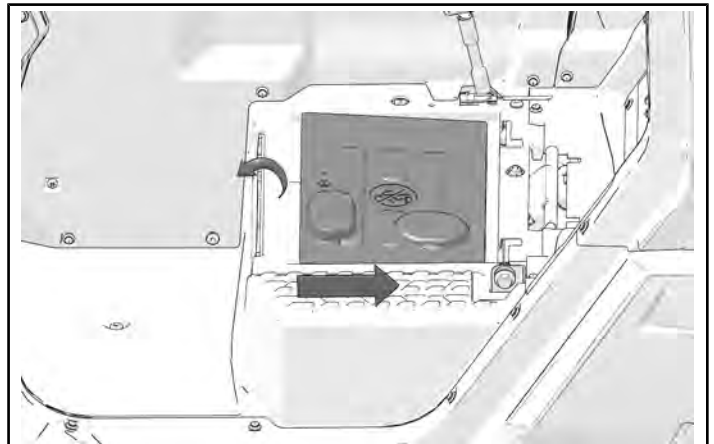
1. Connect negative battery cable to negative (-) battery terminal. Torque nut on cable to specification.

TORQUE

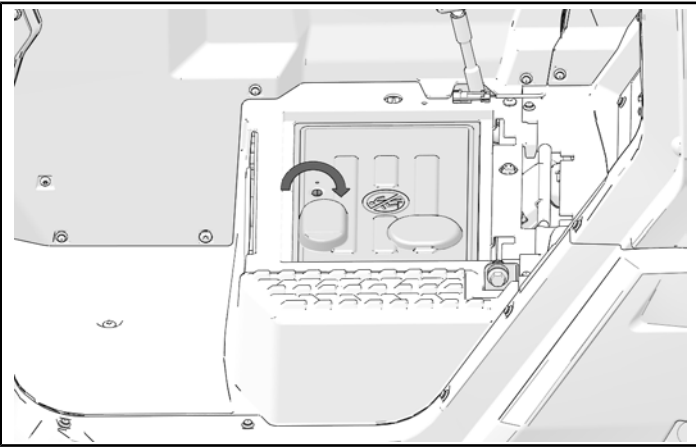
Nut:
35 in-lbs (4 N·m)



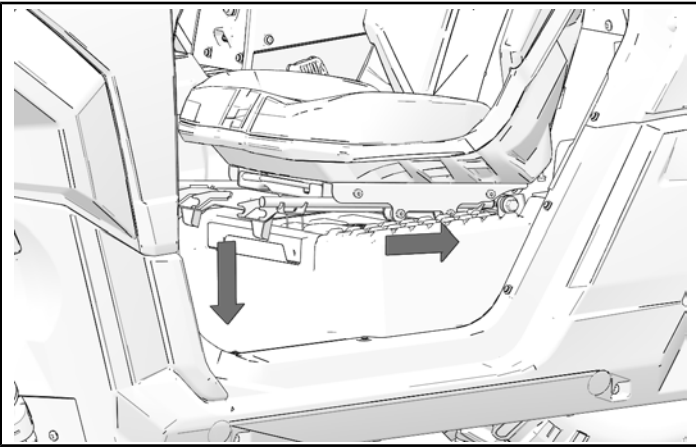
2. Slide battery cover rearward and lower cover into place.



3. Turn screw to close cover.



4. Slide front seat rearward to engage rear mounts. Lower front of seat.



5. Install two screws at front of seat base. Torque screws to specification.

TORQUE
Screws:
13 ft-lbs (18 N·m)

