

TRASH CAN HAULER KIT



P/N 2889876

MISSING OR DAMAGED PARTS

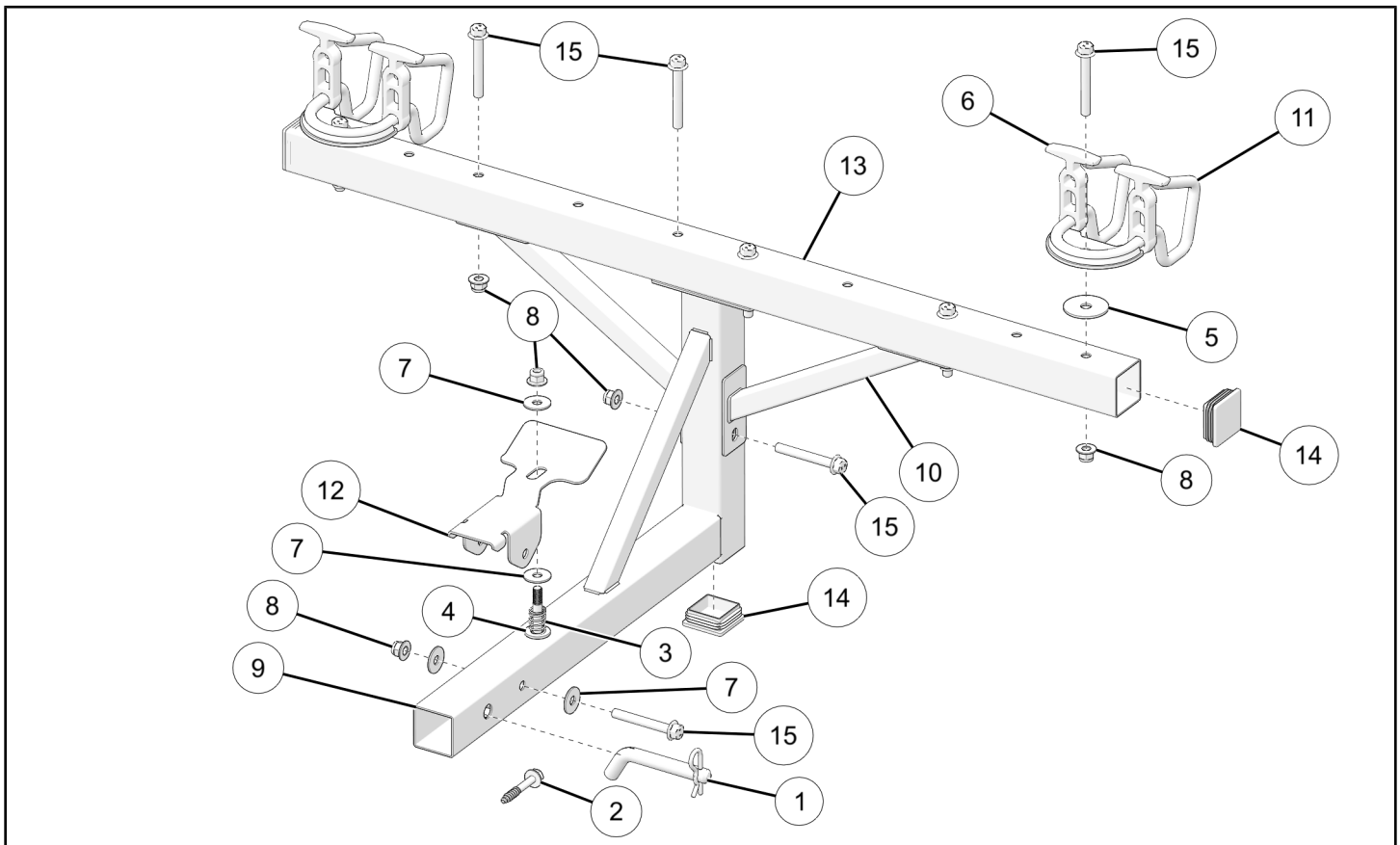
Before beginning assembly, inspect the kit and its component(s) to be sure all parts and tools are accounted for and not damaged. If missing parts or parts are damaged, please contact your Selling Dealer for assistance.

If your accessory was purchased online, please contact POLARIS® customer service at **1-800-POLARIS** (US & Canada only).

APPLICATION

Verify accessory fitment at www.polaris.com.

KIT CONTENTS



REF	QTY	PART DESCRIPTION	P/N AVAILABLE SEPARATELY	AVAILABLE SERVICE KIT
1	1	Hitch Pin and Cotter Pin	n/a	n/a
2	1	Screw, Hex, Flange, 3/8 in	n/a	n/a
3	1	Spring, Quick Turn	n/a	n/a
4	1	Washer	n/a	n/a
5	2	Washer	n/a	n/a
6	4	Strap	n/a	n/a

REF	QTY	PART DESCRIPTION	P/N AVAILABLE SEPARATELY	AVAILABLE SERVICE KIT
7	4	Washer, Nylon	n/a	n/a
8	7	Nut, Locking, M10 x 1.5 mm	n/a	2211956
9	1	Hitch Frame	1028687	n/a
10	2	Hitch Brace	1028688	n/a
11	2	Hitch Hook	1028689	n/a
12	1	Receiver Latch Bracket	5274339	n/a
13	1	Trash Hauler Tube	n/a	n/a
14	3	Tube Cap	n/a	2211956
15	8	Screw, Hex, Flange, M10 x 1.5 x 75 mm	n/a	2211956

TOOLS REQUIRED

- Safety Glasses
- Torque Wrench
- Socket Set, Metric
- Wrench Set, Metric

IMPORTANT

Your Trash Can Hauler Kit is exclusively designed for your vehicle. Please read the installation instructions thoroughly before beginning. Installation is easier if the vehicle is clean and free of debris. For your safety, and to ensure a satisfactory installation, perform all installation steps correctly in the sequence shown.

INSTALLATION INSTRUCTIONS

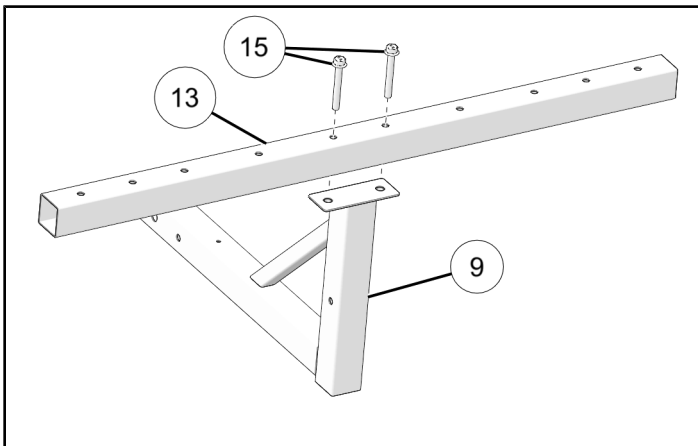
VEHICLE PREPARATION

GENERAL

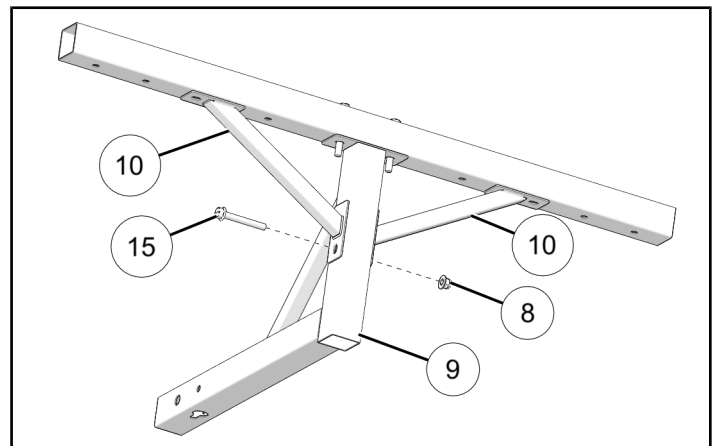
1. Park vehicle on a flat surface.
2. Shift vehicle into PARK.
3. Turn key to OFF position and remove key.

ACCESSORY INSTALLATION

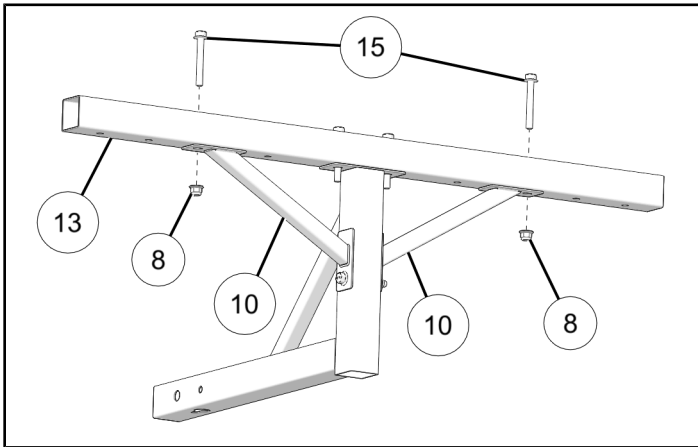
1. Loosely install cross tube ⑬ on main frame ⑨ using two screws ⑮.



2. Loosely install two side braces ⑩ to main frame ⑨ using screw ⑮ and nut ⑧.



3. Loosely attach two side braces (10) to cross tube (13) using two screws (15) and two nuts (8).



4. Torque all nuts (8) and two cross tube screws (15) to specification.

TORQUE

Nuts (8); Screws (15):
33 ft-lbs (45 N·m)

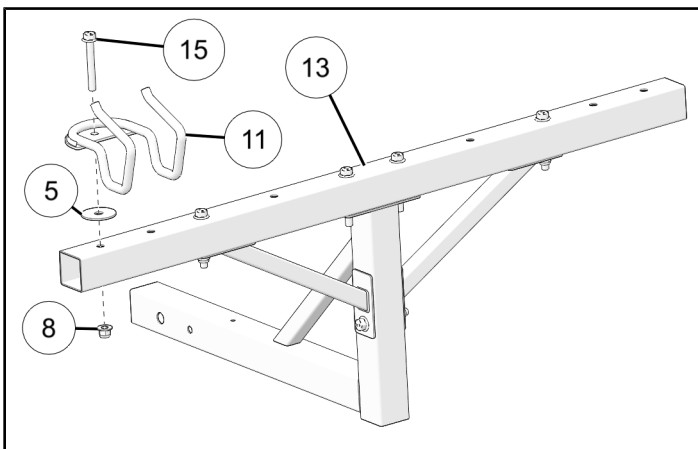
5. Put washer (5) on mounting hole in cross tube (13). Install hook (11) using screw (15) and nut (8). Tighten until fully seated.

NOTICE

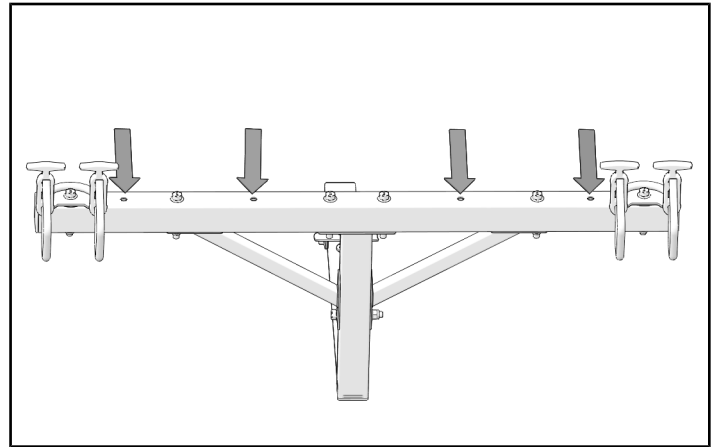
Left side shown; right side similar.

NOTICE

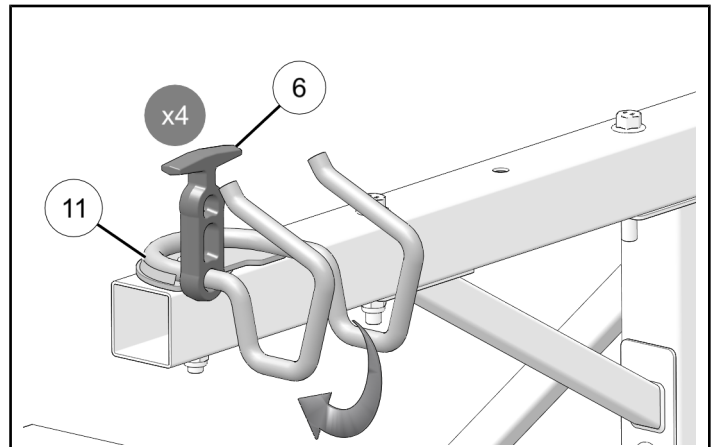
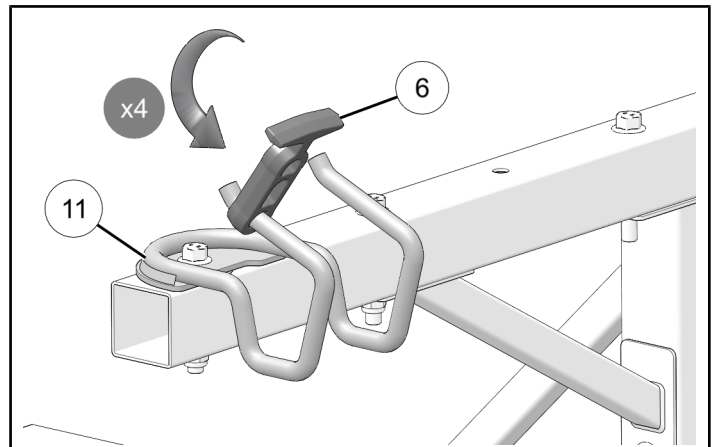
Do not overtighten. Hook should rotate freely.



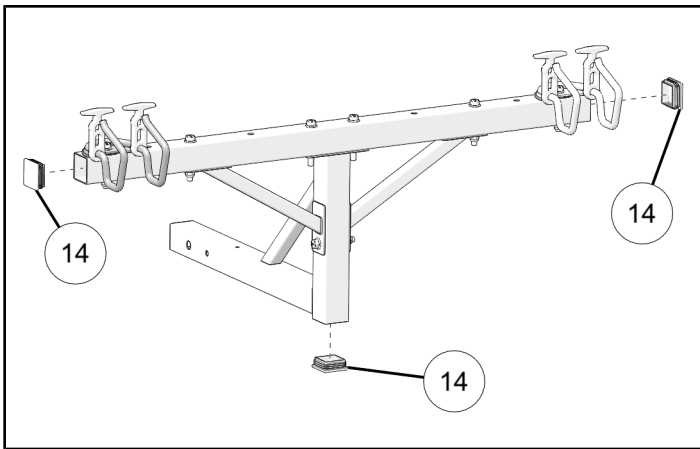
6. Hooks can be installed in any open location on cross tube.



7. Install four rubber straps (6) onto hooks (11).



8. Install three end caps ⑭.

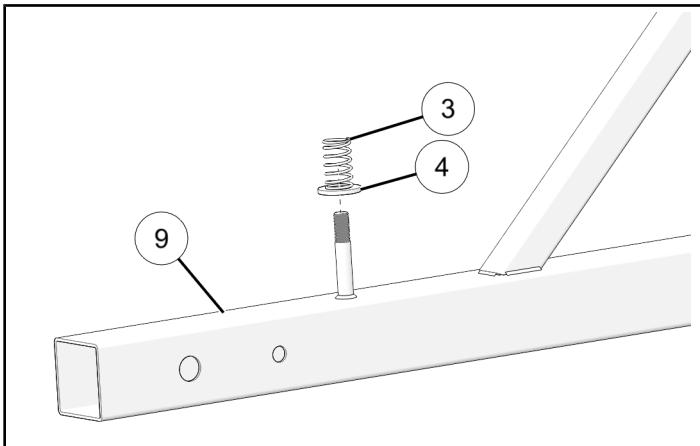


POLARIS VEHICLE LATCH RECEIVER INSTALLATION

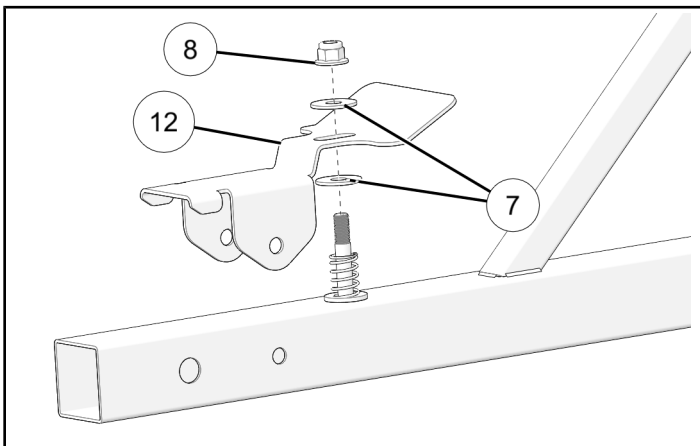
NOTICE

Latch receiver works only with Polaris vehicles.

1. Install washer ④ and spring ③ onto stud on main frame ⑨.



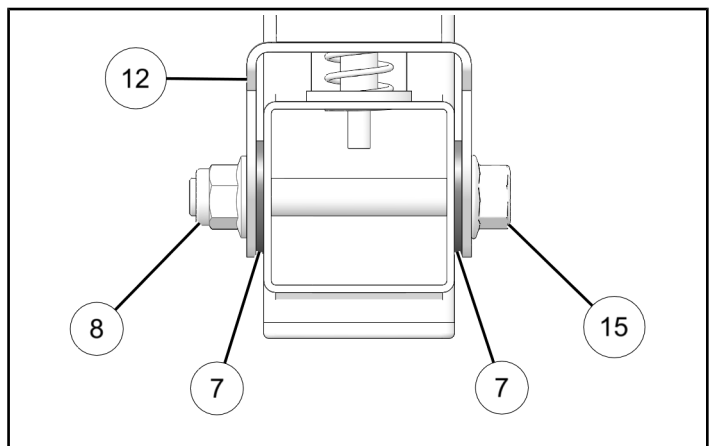
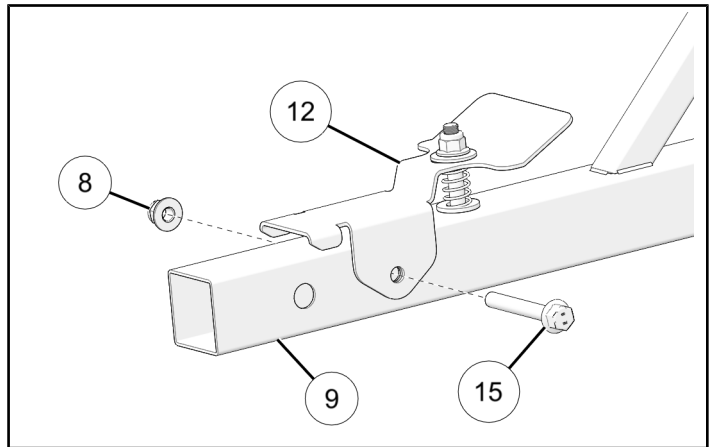
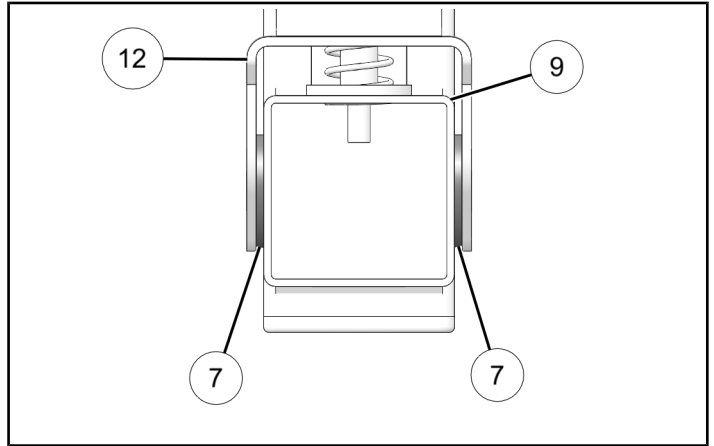
2. Install two nylon washers ⑦ and latch ⑫. Attach using nut ⑧. Tighten until spring is slightly compressed.



3. Install washers ⑦ between latch ⑫ and main frame ⑨. Attach latch main frame ⑨ using screw ⑮ and nut ⑧. Tighten until snug.

NOTICE

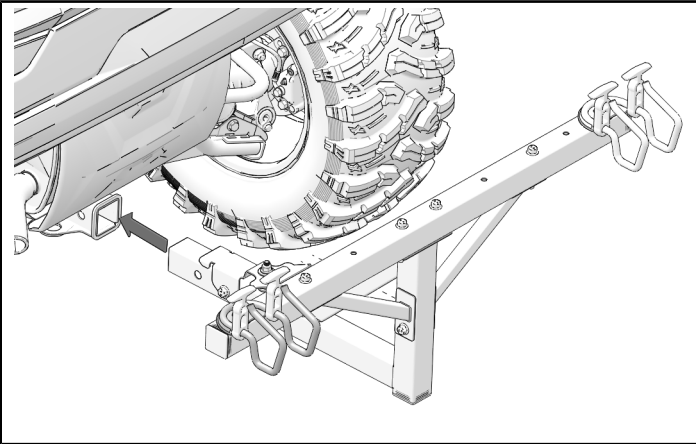
Do not overtighten. Latch should be snug but still move freely.



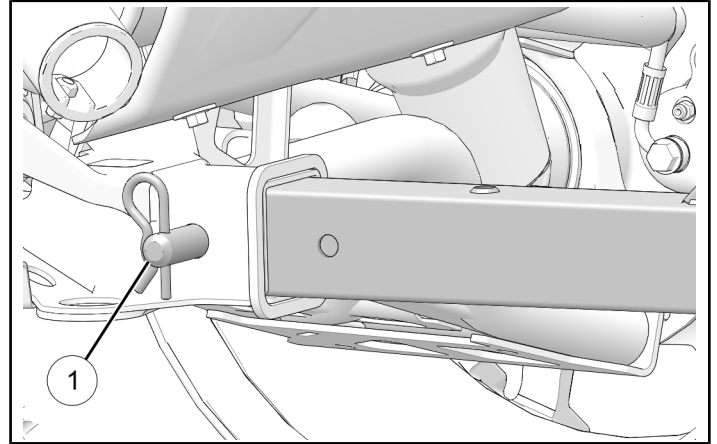
OPERATION

POLARIS VEHICLE INSTALLATION

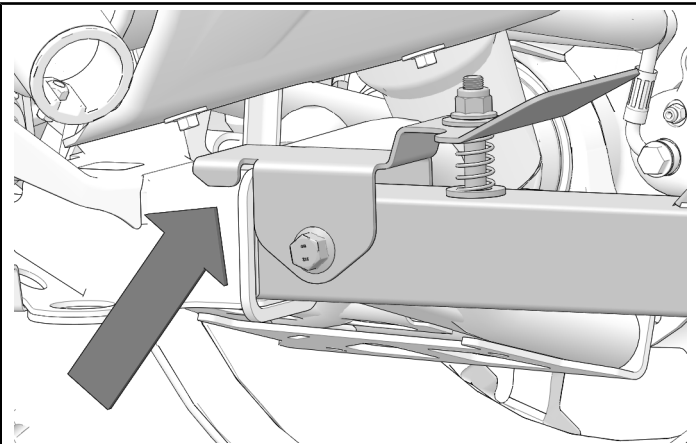
1. Install trash can hauler assembly in hitch receiver.



2. Install hitch pin and hairpin clip ① to lock trash can hauler in hitch receiver.

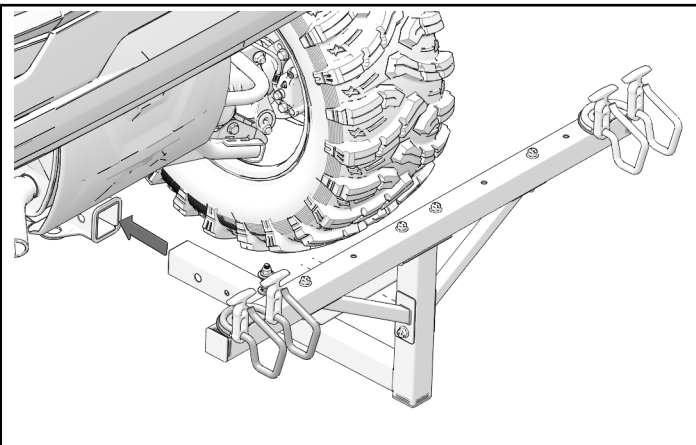


2. Make sure latch tab locks onto receiver.



NON-POLARIS VEHICLE INSTALLATION

1. Install trash can hauler assembly in hitch receiver.



TRASH CAN HAULING

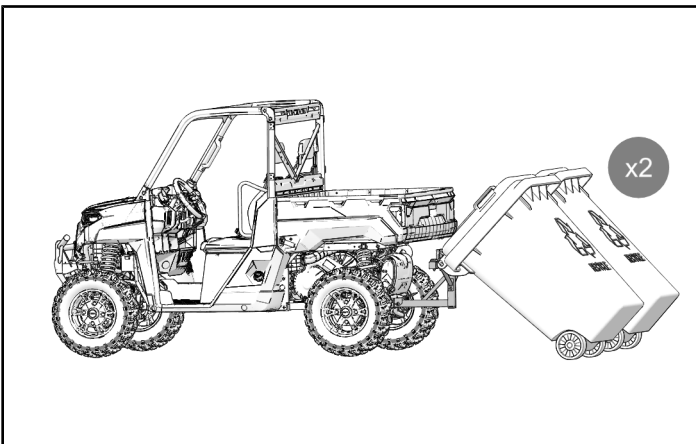
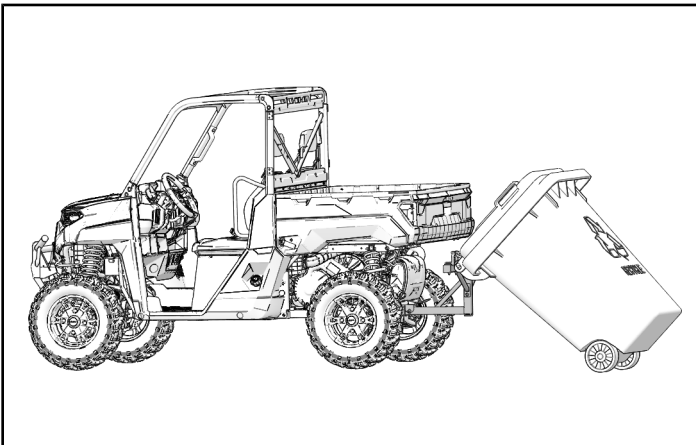
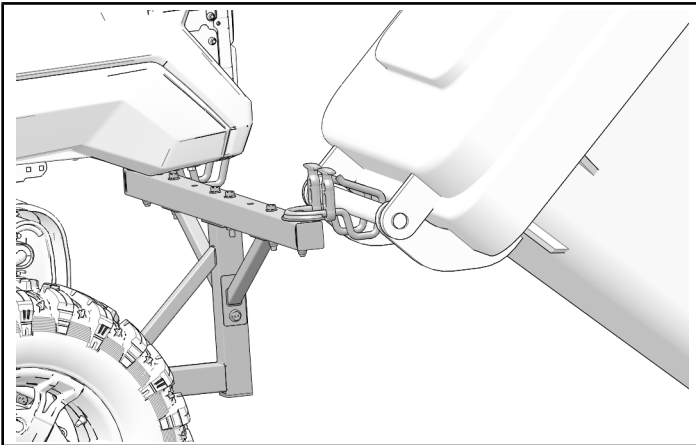
1. Hook trash can onto trash can hauler. Use rubber straps to keep trash can on hooks.

NOTICE

Trash can hauler shown with one trash can. Trash can hauler can haul two cans at once.

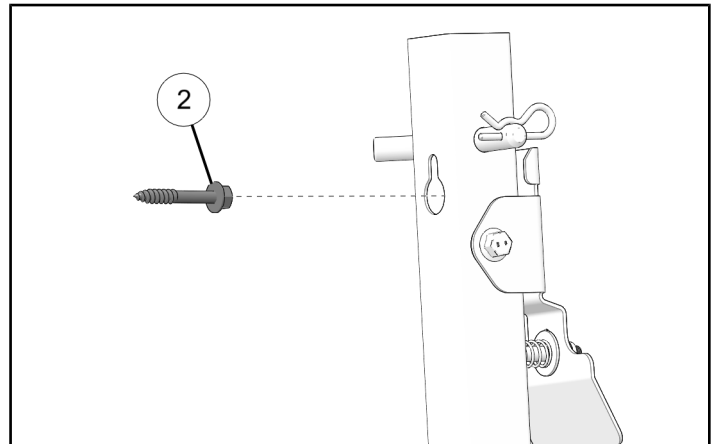
WARNING

Do not exceed 5 mph when hauling trash cans. Do not exceed 250 lbs.



TRASH CAN HAULER STORAGE

1. Install screw ② in desired storage location. Make sure screw ② is installed in wall stud or similar building framework.



2. Put trash can hauler on screw ②. Use hanging storage hole location on bottom of mounting tube near hitch installation location.

