

# RIDE COMMAND+ PLUG-IN MOUNT KIT



P/N 2889873

## BEFORE YOU BEGIN

Read these instructions and check to be sure all parts and tools are accounted for. Please retain these installation instructions for future reference and parts ordering information.

## APPLICATION

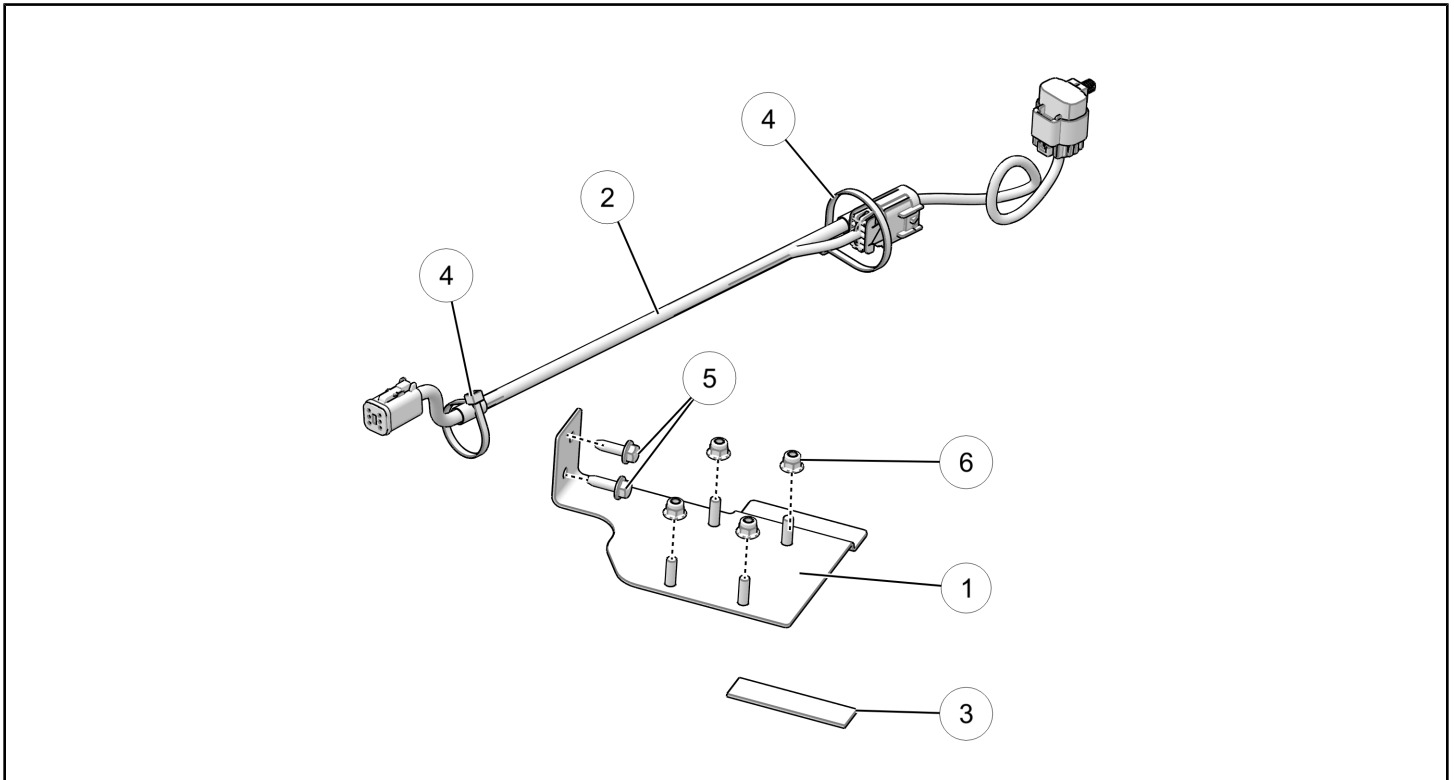
Verify accessory fitment at [www.polaris.com](http://www.polaris.com).

## REQUIRED SOLD SEPARATELY

Only parts for installation of the RIDE COMMAND+ Plug-In Mount Kit are included. For complete installation, the following additional kit is required (sold separately):

- 250K RIDE COMMAND+ Plug-In Kit, P/N 2890038
- Polaris® application is required (available in Android and Apple app stores. Search “Polaris®”).

## KIT CONTENTS

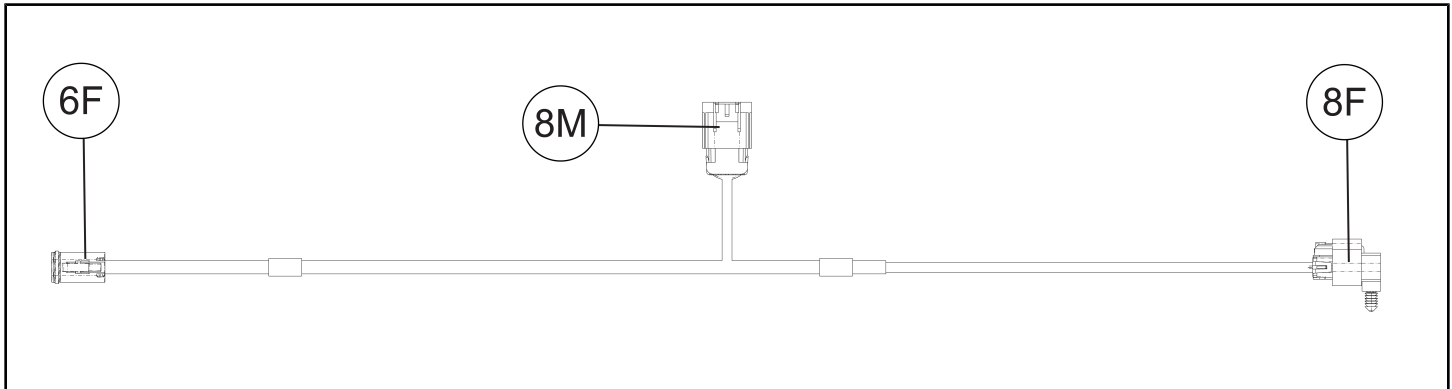


REF	QTY	PART DESCRIPTION	P/N AVAILABLE SEPARATELY
1	1	Bracket	1028009
2	1	Harness	2416805
3	1	Rubber Pad	5815379
4	2	Cable Tie	7080492

REF	QTY	PART DESCRIPTION	P/N AVAILABLE SEPARATELY
5	2	Hex Head Screw M6 X 1.0 X 20 mm	7518529
6	4	Hex Flange Nut M6 X 1.0 mm	7548027

## HARNESS DETAIL

### RIDE COMMAND+ PLUG-IN HARNESS ②



REF	PART DESCRIPTION	CONNECTS TO
6F	RIDE COMMAND+ Plug-In Connector	RIDE COMMAND+ Plug-In
8M	Chassis Harness Connector	Diagnostic, Chassis Harness
8F	Diagnostic Connector	Diagnostic Connector

Example: 16F = 16 pin, Female / 16M = 16 pin, Male (Male terminal fits inside female terminal)

## TOOLS REQUIRED

- Socket Set, Metric
- Torque Wrench

## IMPORTANT

Your RIDE COMMAND+ Plug-In Mount Kit is exclusively designed for your vehicle. Please read the installation instructions thoroughly before beginning. Installation is easier if the vehicle is clean and free of debris. For your safety, and to ensure a satisfactory installation, perform all installation steps correctly in the sequence shown.

## INSTALLATION INSTRUCTIONS

### VEHICLE PREPARATION

#### GENERAL

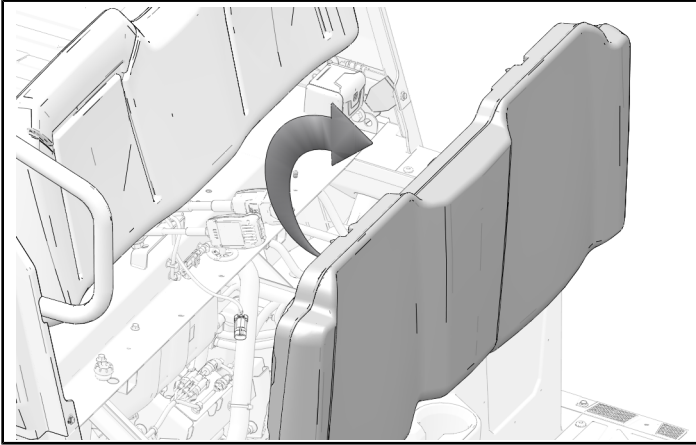
1. Park vehicle on a flat surface.
2. Shift vehicle into PARK.
3. Turn key to OFF position and remove key.

## SEAT REMOVAL

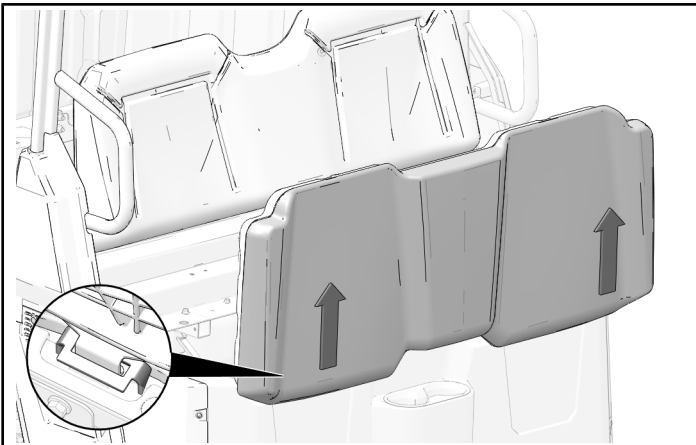
### NOTICE

Follow Seat Removal steps to remove rear seats in crew models.

1. Pull rear of seat and rotate seat upright.

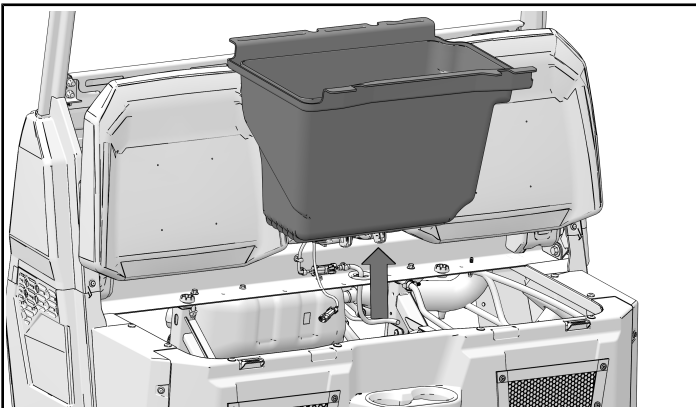


2. Lift seat up and remove from lower hinge brackets.



## UNDERSEAT STORAGE BIN REMOVAL

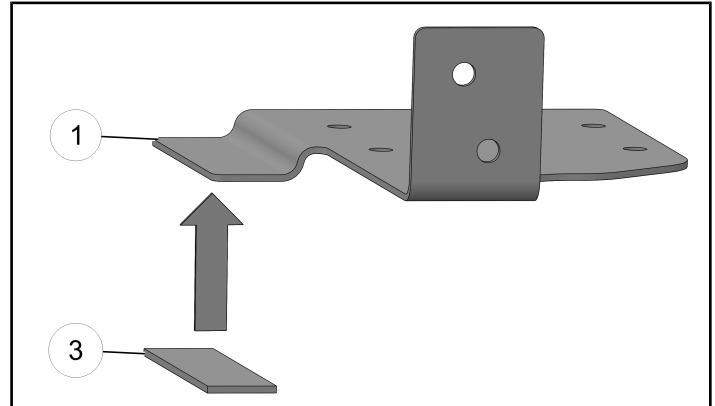
1. Lift middle underseat storage bin up and out of the vehicle.



## ACCESSORY INSTALLATION

### BRACKET PREPARATION

1. Remove adhesive backing from rubber pad ③. Attach rubber pad ③ to bottom of bracket ①.

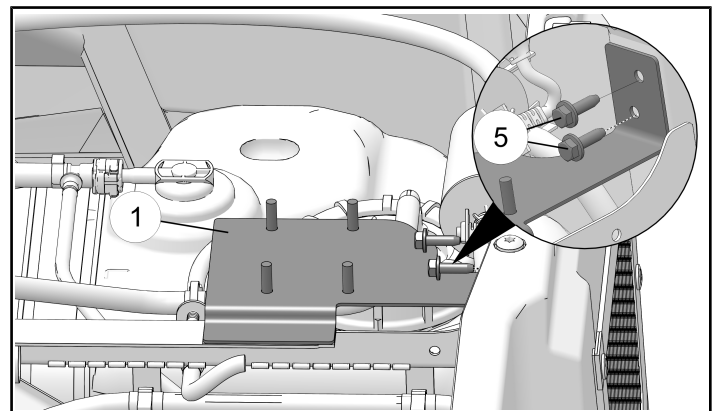


### BRACKET INSTALLATION

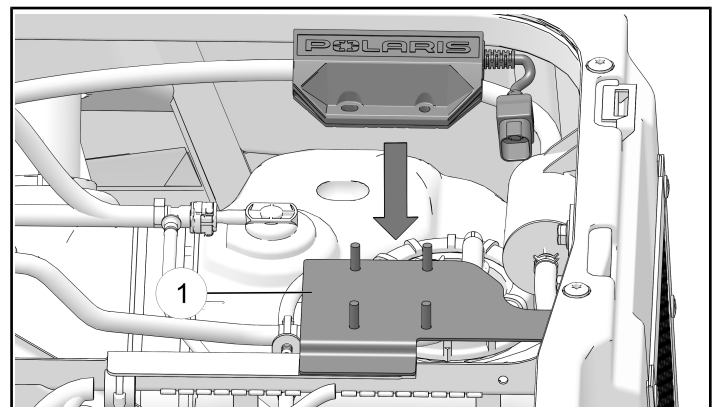
1. Install bracket ① on frame with two screws ⑤. Torque to specification.

### TORQUE

Screws ⑤:  
106 in-lbs (12 N·m)



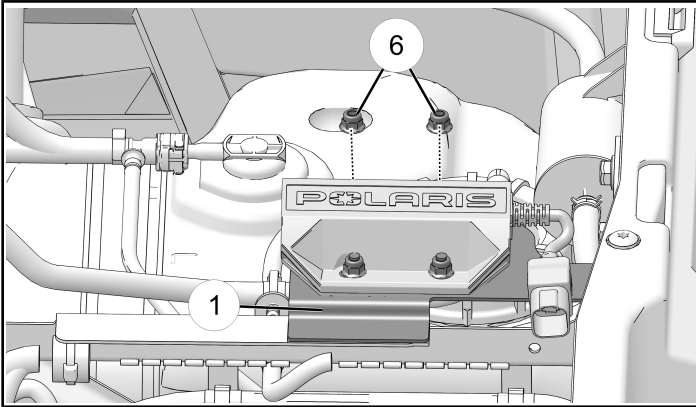
2. Install RIDE COMMAND+ Plug-In on bracket ①.



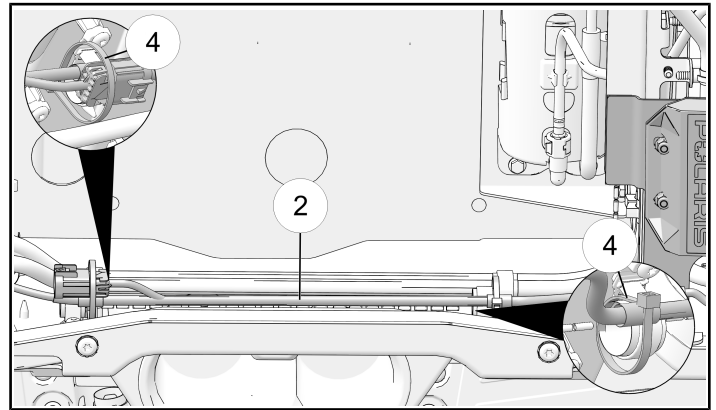
3. Install four nuts ⑥. Torque to specification.

### TORQUE

Nuts ⑥:  
97 in-lbs (11 N·m)

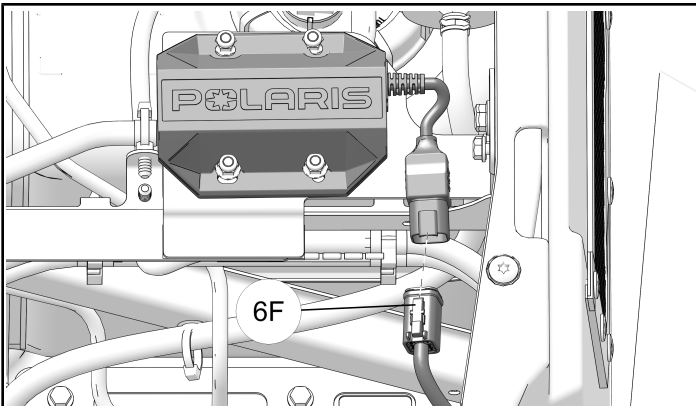


3. Attach harness ② to main wire harness with two cable ties ④.

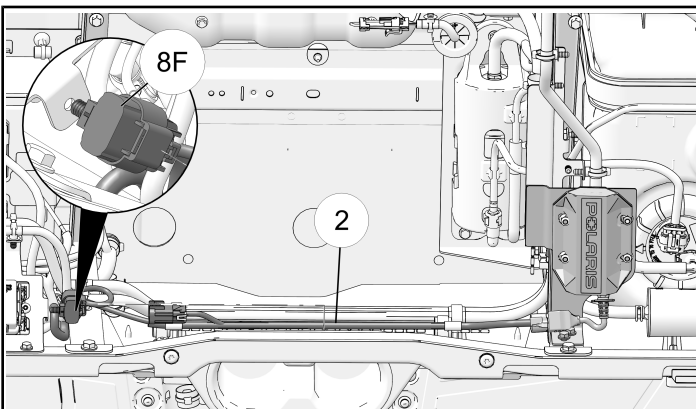


### HARNESS INSTALLATION

1. Connect harness ② connector 6F to RIDE COMMAND+ Plug-In.

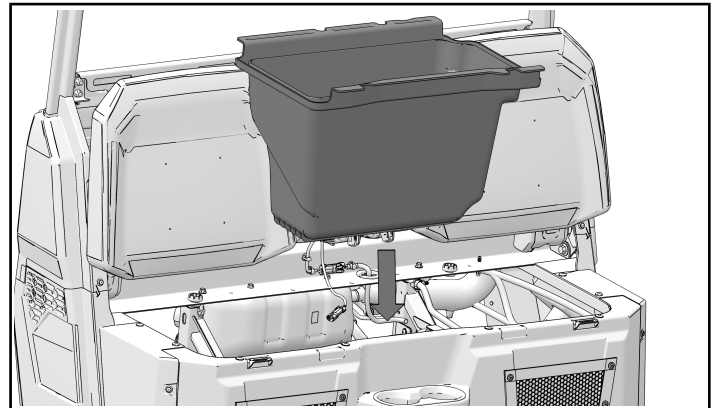


2. Connect harness ② connector 8F to vehicle diagnostic port.

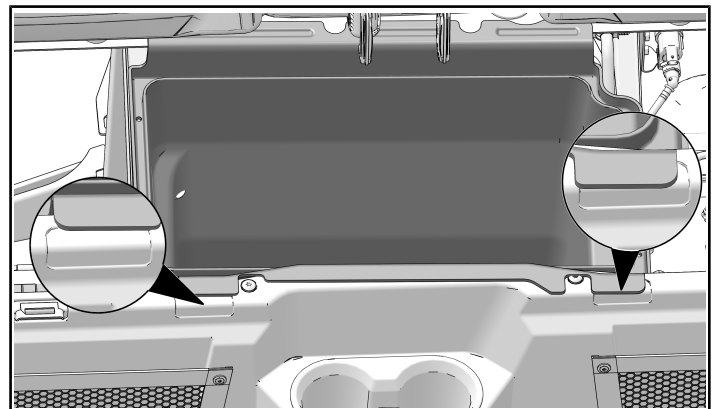


### UNDERSEAT STORAGE BIN INSTALLATION

1. Install underseat storage bin between driver and passenger seats.

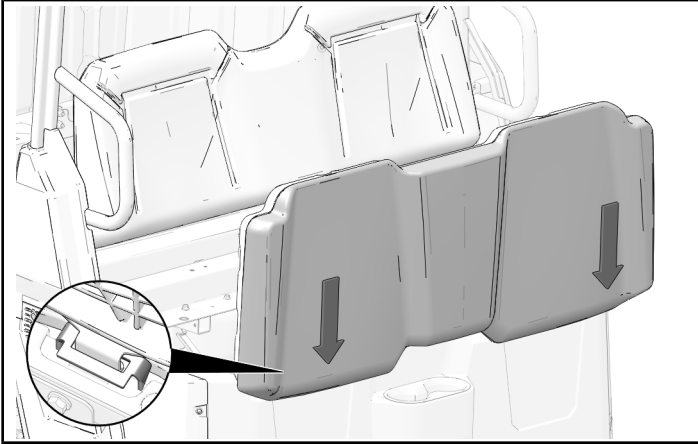


2. Align bin tabs with indents shown.

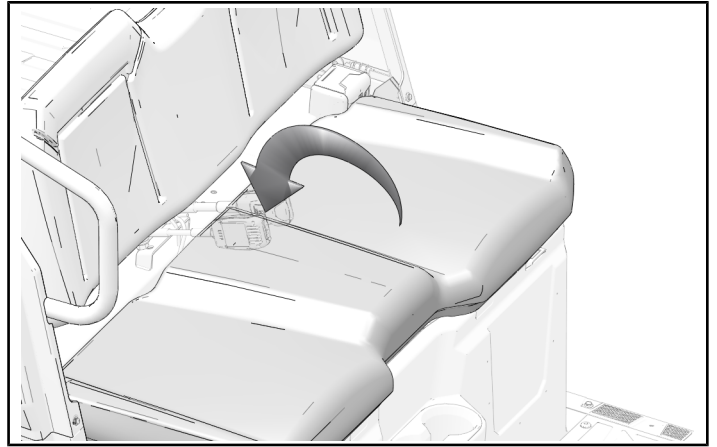


## SEAT INSTALLATION

1. Align tabs of seat with hinge brackets.



2. Rotate seat to closed position.



## OPERATION

### **POLARIS® APP**

Download the Polaris® App for the Apple or Android device that will be used with RIDE COMMAND+ Plug-In device. Follow the setup procedure in the app.



## INSTRUCTION FEEDBACK FORM

A feedback form has been created for the installer to provide any comments, questions or concerns about the installation instructions. The form is viewable on mobile devices by scanning the QR code or by clicking [HERE](#) if viewing on a PC.

