

# FLOOR RAILS KIT



P/N 2889621; 2889622; 2889623

## MISSING OR DAMAGED PARTS

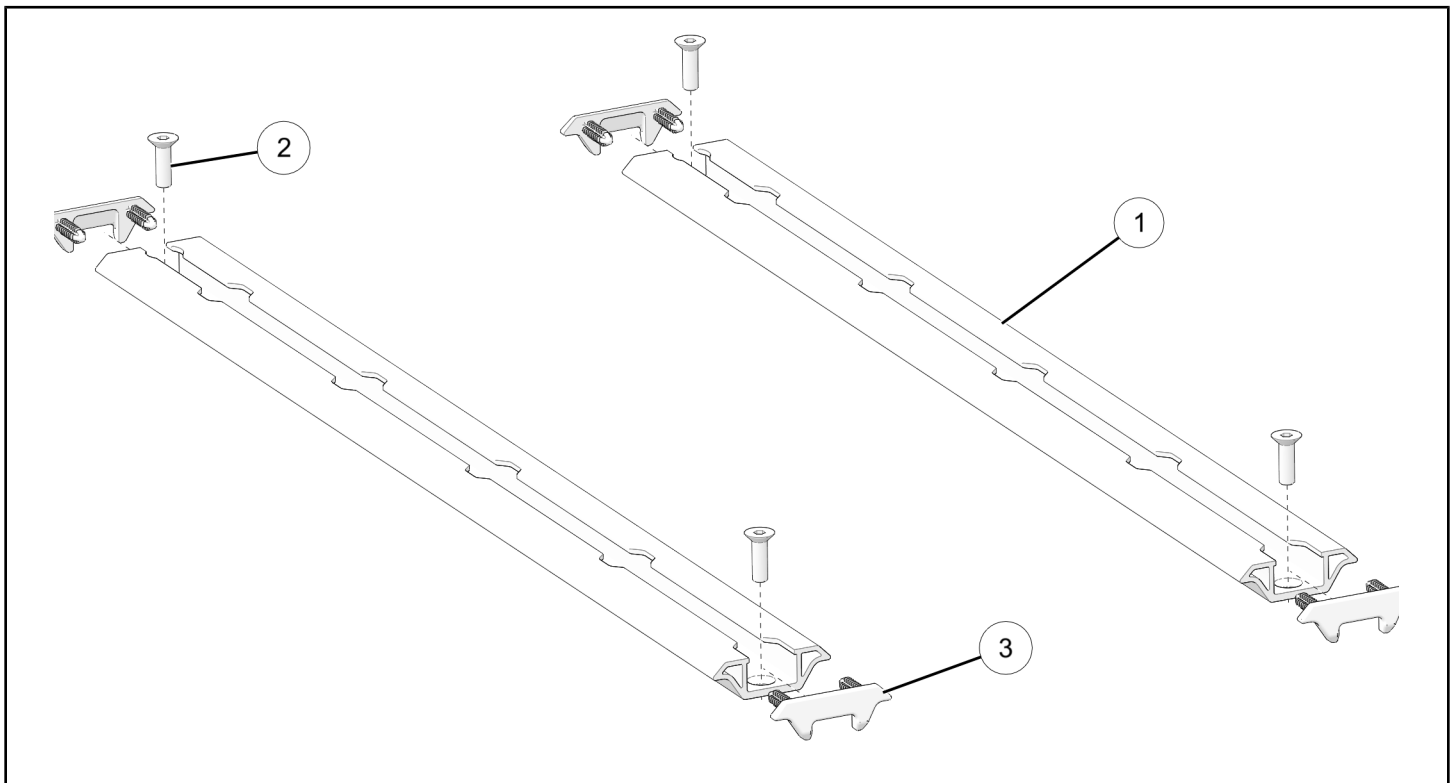
Before beginning assembly, inspect the kit and its component(s) to be sure all parts and tools are accounted for and not damaged. If missing parts or parts are damaged, please contact your Selling Dealer for assistance.

If your accessory was purchased online, please contact POLARIS® customer service at **1-800-POLARIS** (US & Canada only).

## APPLICATION

Verify accessory fitment at [www.polaris.com](http://www.polaris.com).

## KIT CONTENTS



REF	QTY (PN 2889621)	QTY (PN 2889622)	QTY (PN 2889623)	PART DESCRIPTION	P/N AVAILABLE SEPARATELY
1	2	n/a	n/a	Non-Tilt Bed Floor Rail	n/a
1	n/a	2	n/a	Tilt Bed Floor Rail	n/a
1	n/a	n/a	2	Rear Seat Floor Rail	n/a
2	4	4	4	Screw, Flat Countersunk Head M6 x 1.0 x 30 mm	n/a
3	4	4	4	Cap, Rail End	5465253

## TOOLS REQUIRED

- Safety Glasses
- Hex Key Set, Metric

## IMPORTANT

Your Floor Rails Kit is exclusively designed for your vehicle. Please read the installation instructions thoroughly before beginning. Installation is easier if the vehicle is clean and free of debris. For your safety, and to ensure a satisfactory installation, perform all installation steps correctly in the sequence shown.

## INSTALLATION INSTRUCTIONS

### VEHICLE PREPARATION

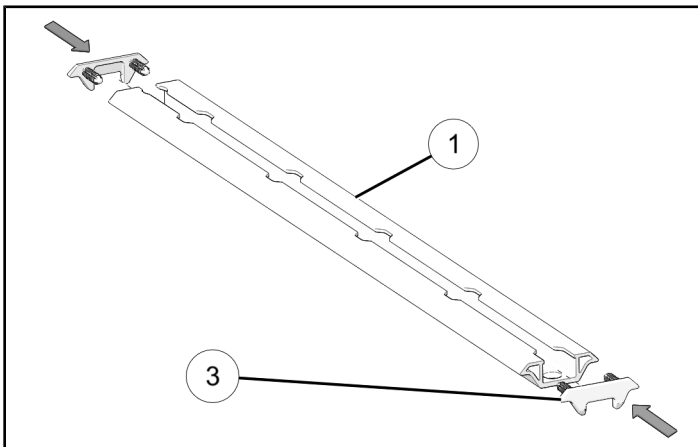
#### GENERAL

1. Park vehicle on a flat surface.
2. Shift vehicle into PARK.
3. Turn key to OFF position and remove key.

### ACCESSORY INSTALLATION

#### ASSEMBLE CAPS TO RAILS

1. Assemble cap ③ to each end of each rail ①



#### BED MOUNTING LOCATIONS

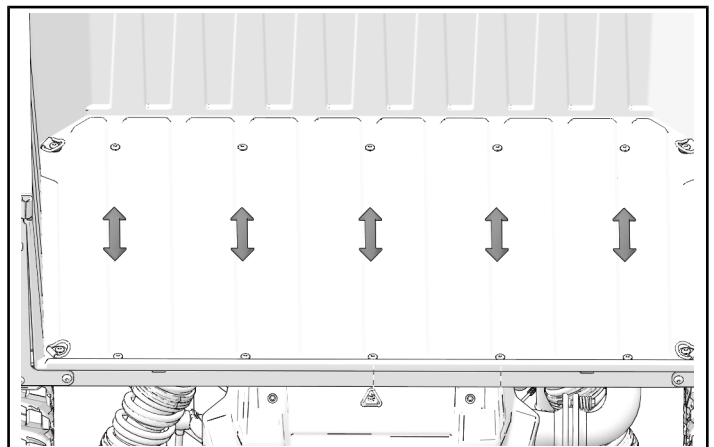
##### NOTICE

Box rail spacing matches platform rack spacing. This allows platform rack accessories to be installed on the box rails.

##### NOTICE

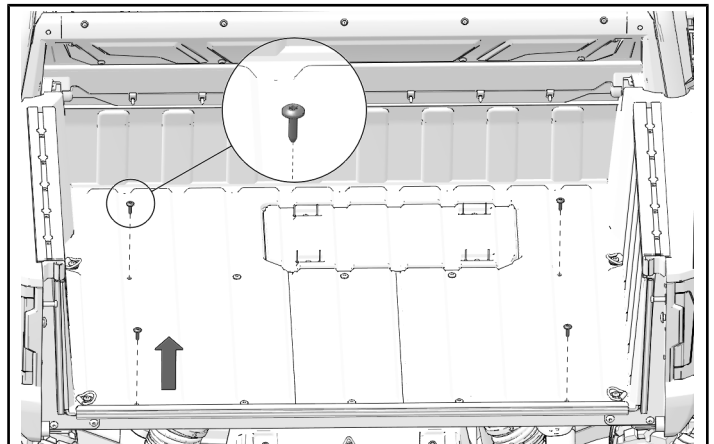
Tilt bed shown; ADV bed similar.

There are five possible mounting locations in the bed. Choose two locations as desired.



#### ADV BED INSTALLATION

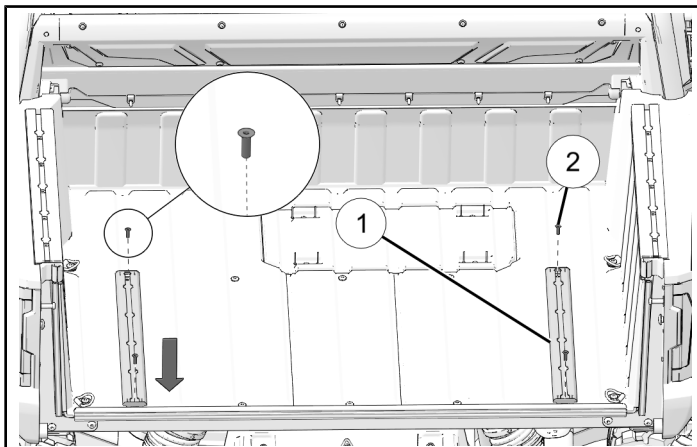
1. Remove four screws from the desired mounting locations.



2. Install rail ① and two screws ② in each of the desired locations. Torque screws to specification.

**TORQUE**

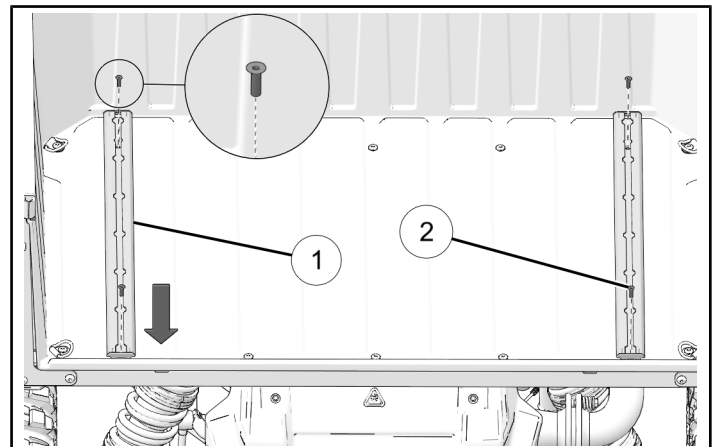
Screws ②:  
**106 in-lbs (12 N·m)**



2. Install rail ① and two screws ② in each of the desired locations. Torque screws to specification.

**TORQUE**

Screws ②:  
**106 in-lbs (12 N·m)**

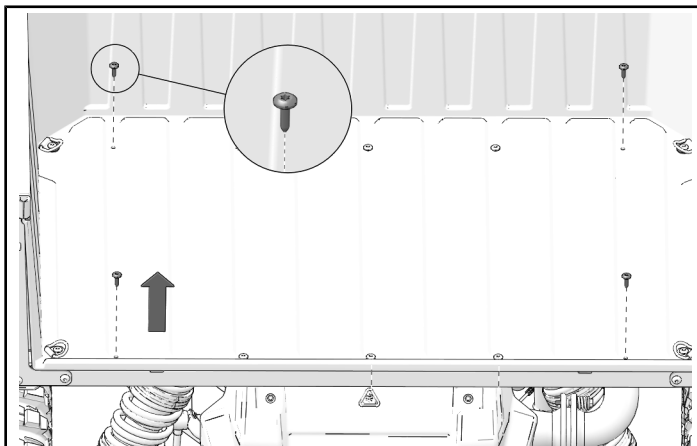


### TILT BED INSTALLATION

**NOTICE**

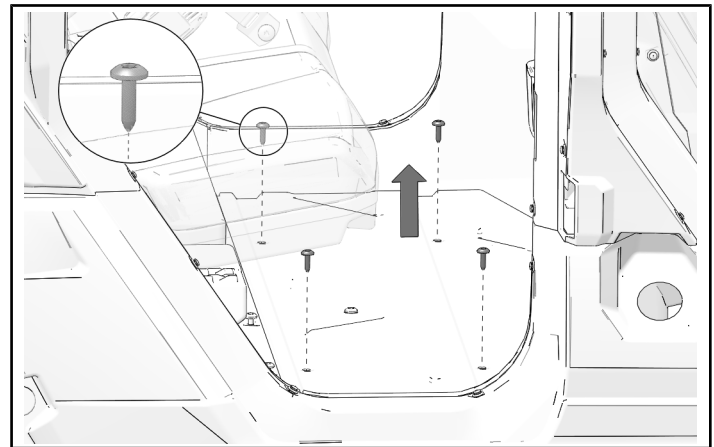
Rails for the tilt bed installation are directional. If mounting holes do not line up, turn the rails in the opposite direction.

1. Remove four screws from the desired mounting locations.



### REAR SEAT FLOOR INSTALLATION

1. Remove four screws from the rear seat floor.



2. Install rail ① and two screws ② in each of the channels. Torque screws to specification.

### TORQUE

Screws ②:  
**106 in-lbs (12 N·m)**

