

# DOOR MIRROR KIT



P/N 2889862

## MISSING OR DAMAGED PARTS

Before beginning assembly, inspect the kit and its component(s) to be sure all parts and tools are accounted for and not damaged. If missing parts or parts are damaged, please contact your Selling Dealer for assistance.

If your accessory was purchased online, please contact POLARIS® customer service at **1-800-POLARIS** (US & Canada only).

## APPLICATION

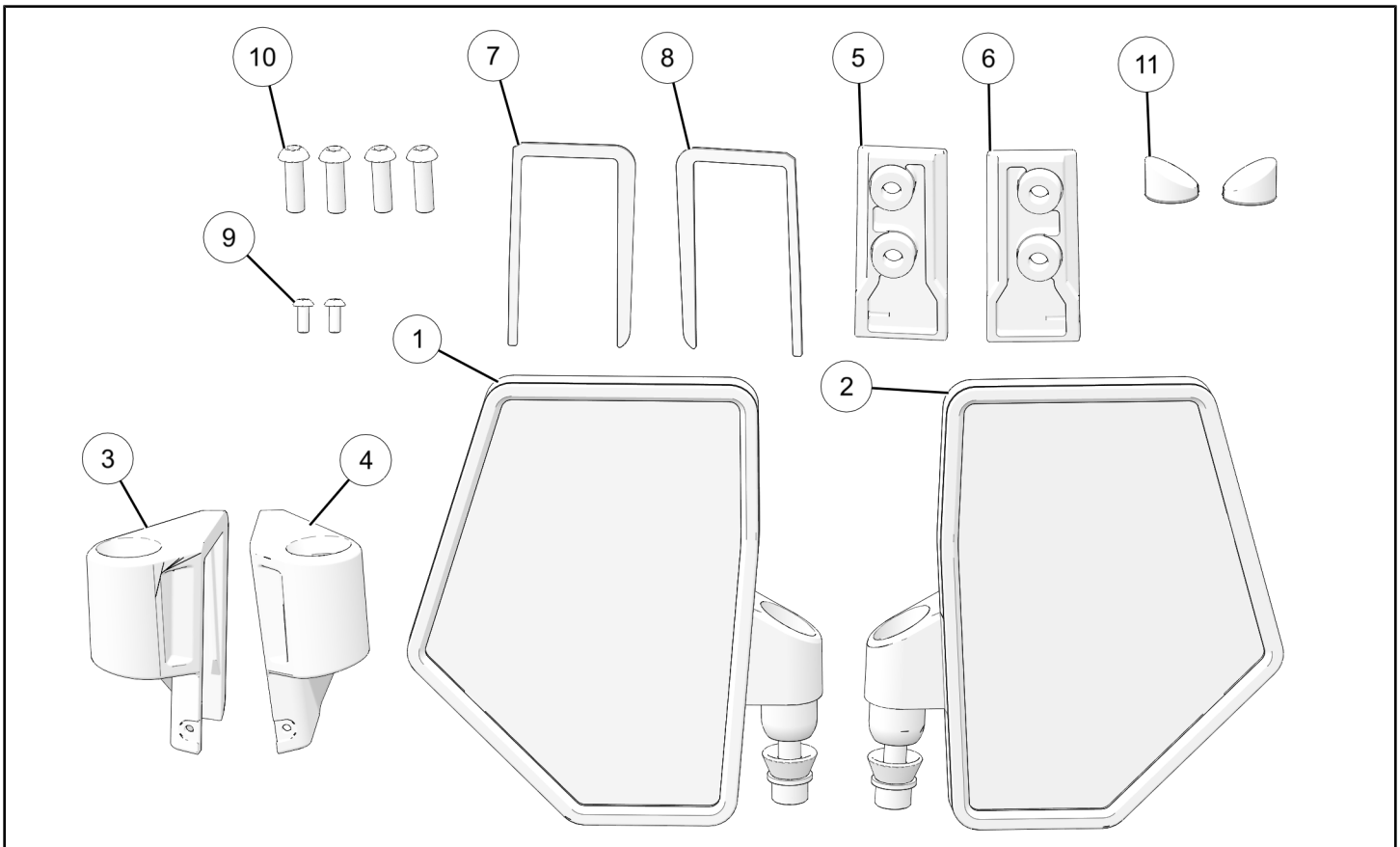
Verify accessory fitment at [www.polaris.com](http://www.polaris.com).

## REQUIRED SOLD SEPARATELY

Only parts for installation of the Door Mirror Kit are included. Prior installation of the following additional kits are also required (sold separately):

- *Power Doors*, Kit P/N 2889075
- *Left Power Door*, Kit P/N 2638498
- *Right Power Door*, Kit P/N 2638499

## KIT CONTENTS



REF	QTY	PART DESCRIPTION	P/N AVAILABLE SEPARATELY	AVAILABLE SERVICE KIT
1	1	Assembly, Mirror, Left	2638917	2211698
2	1	Assembly, Mirror, Right	2638918	2211699
3	1	Arm, Mirror, Left	5459590	2209798
4	1	Arm, Mirror, Right	5459591	2209799
5	1	Backer Plate, Left	5459592	2209798
6	1	Backer Plate, Right	5459593	2209799
7	1	Foam, Left	5815636	2209798
8	1	Foam, Right	5815637	2209799
9	2	Screw, Torx®, Button Head, M5 x 0.8 x 12 mm	7527946-12	2209798 2209799 (contains one screw ⑨ and two screws ⑩)
10	4	Screw, Torx®, Button Head, M8 x 1.25 x 25 mm	7527948-25	2209798 2209799 (contains one screw ⑨ and two screws ⑩)
11	2	– Cap, Mirror Mount	n/a	n/a

## TOOLS REQUIRED

- Safety Glasses
- Drill
  - 1/4 in (6 mm)
- Hole Saw:
  - 7/8 in (22 mm)
- Screwdriver Set, Torx®
- Socket Set, Hex Bit, Metric
- Socket Set, Torx® Bit

## IMPORTANT

Your Door Mirror Kit is exclusively designed for your vehicle. Please read the installation instructions thoroughly before beginning. Installation is easier if the vehicle is clean and free of debris. For your safety, and to ensure a satisfactory installation, perform all installation steps correctly in the sequence shown.

## INSTALLATION INSTRUCTIONS

### VEHICLE PREPARATION

#### GENERAL

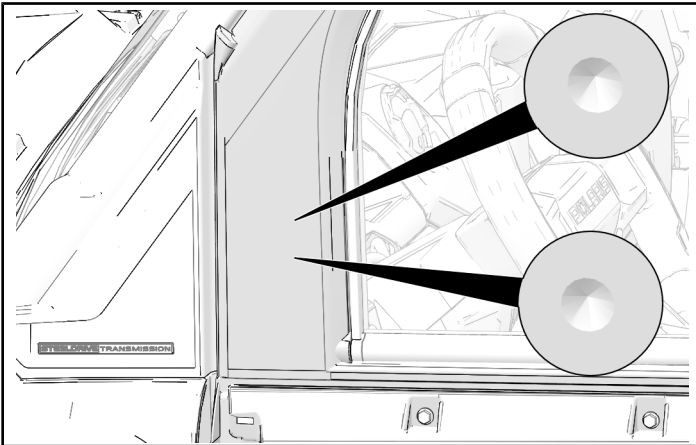
1. Park vehicle on a flat surface.
2. Shift vehicle into PARK.
3. Turn key to OFF position and remove key.

## ACCESSORY INSTALLATION

1. Find dimples on door.

### NOTICE

Left side shown; right side similar.



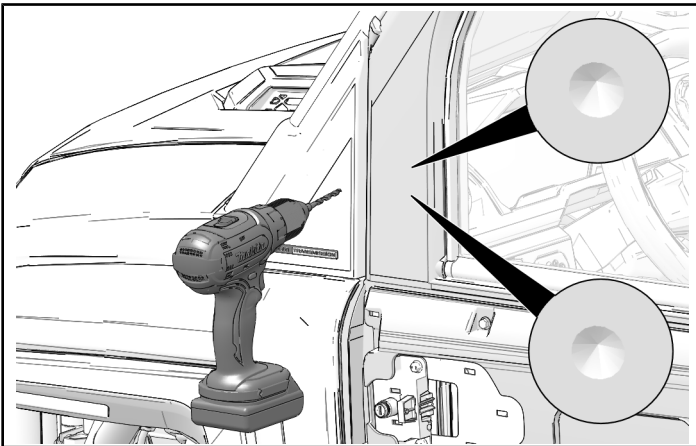
2. Drill pilot hole in dimples.

### NOTICE

Left side shown; right side similar.

### MEASUREMENT

Drill Bit Size: 1/4 in (6 mm)



3. Drill holes to expose weld nuts.

### NOTICE

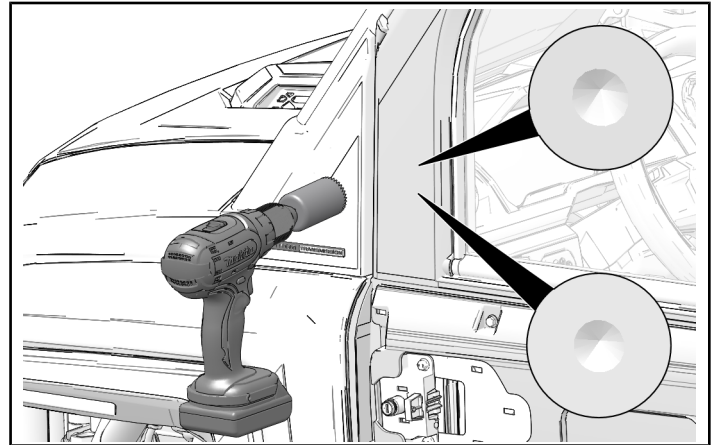
Use caution to control drill depth.

### NOTICE

Left side shown; right side similar.

### MEASUREMENT

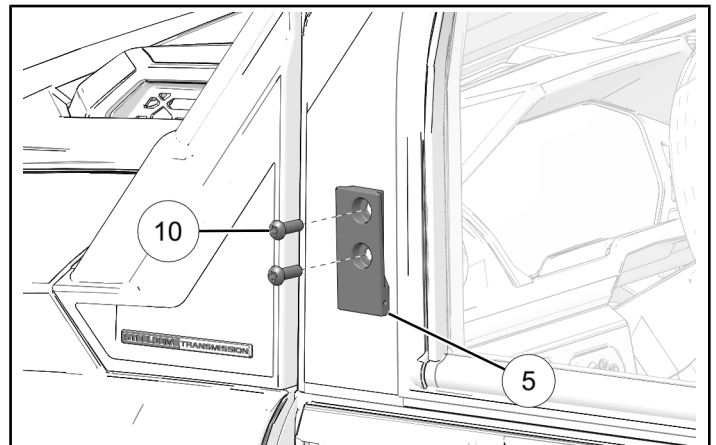
Hole Saw Size: 7/8 in (22 mm)



4. Attach backer plate (5) to door using screws (10). Make sure that mounting hole is facing toward window.

### NOTICE

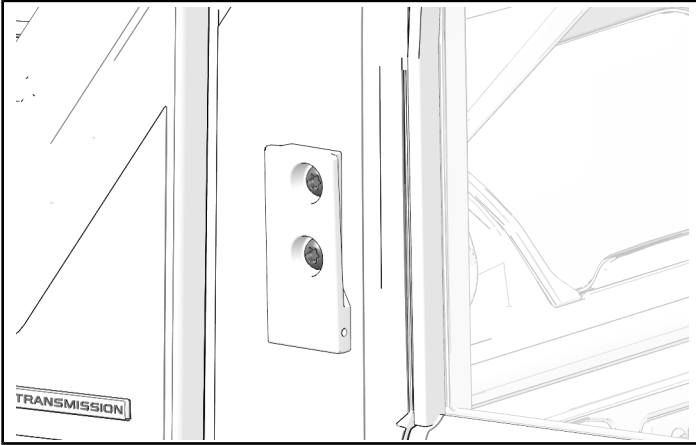
Left side shown; right side similar.



5. Torque screws to specification.

**TORQUE**

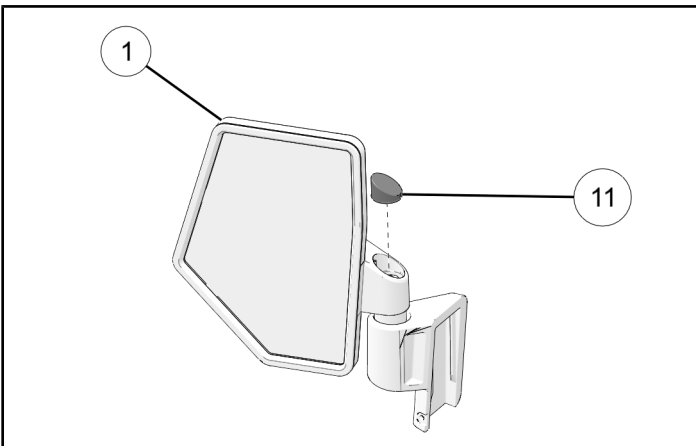
Screws:  
**13 ft-lbs (18 N·m)**



6. Install end cap (11) to door mirror assembly (1).

**NOTICE**

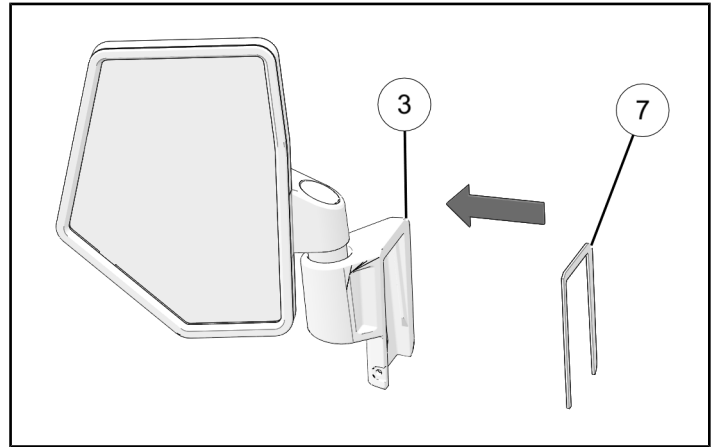
Left side shown; right side similar.



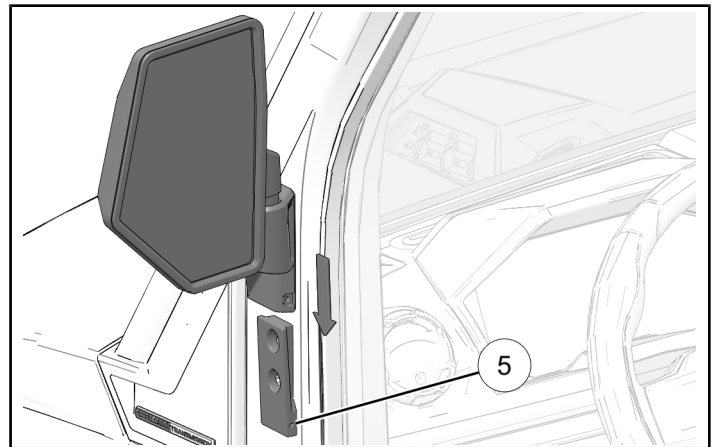
7. Remove adhesive strip and attach foam (7) to mirror mount (3).

**NOTICE**

Left side shown; right side similar.



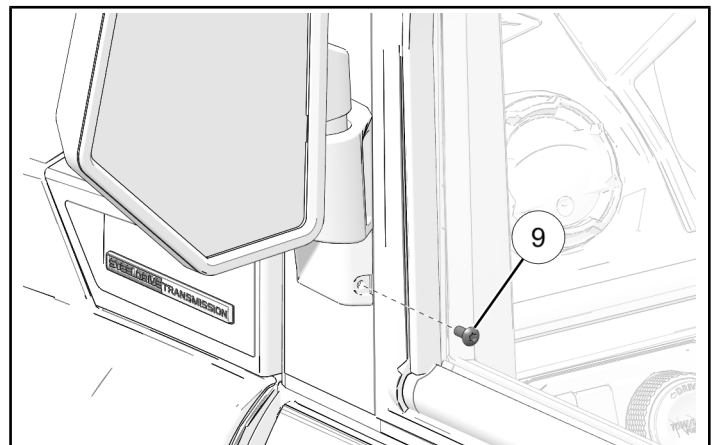
8. Install door mirror assembly to backer plate (5). Make sure holes on the bottom of the mount align with holes on the bottom of the backer plate.



9. Attach assembly to door using screw (9).

**NOTICE**

Left side shown; right side similar.



10. Torque screw to specification.

**NOTICE**

Left side shown; right side similar.

**TORQUE**

Screw:  
**22 in-lbs (2.5 N·m)**

