

# REAR PANEL KIT



P/N 2889856

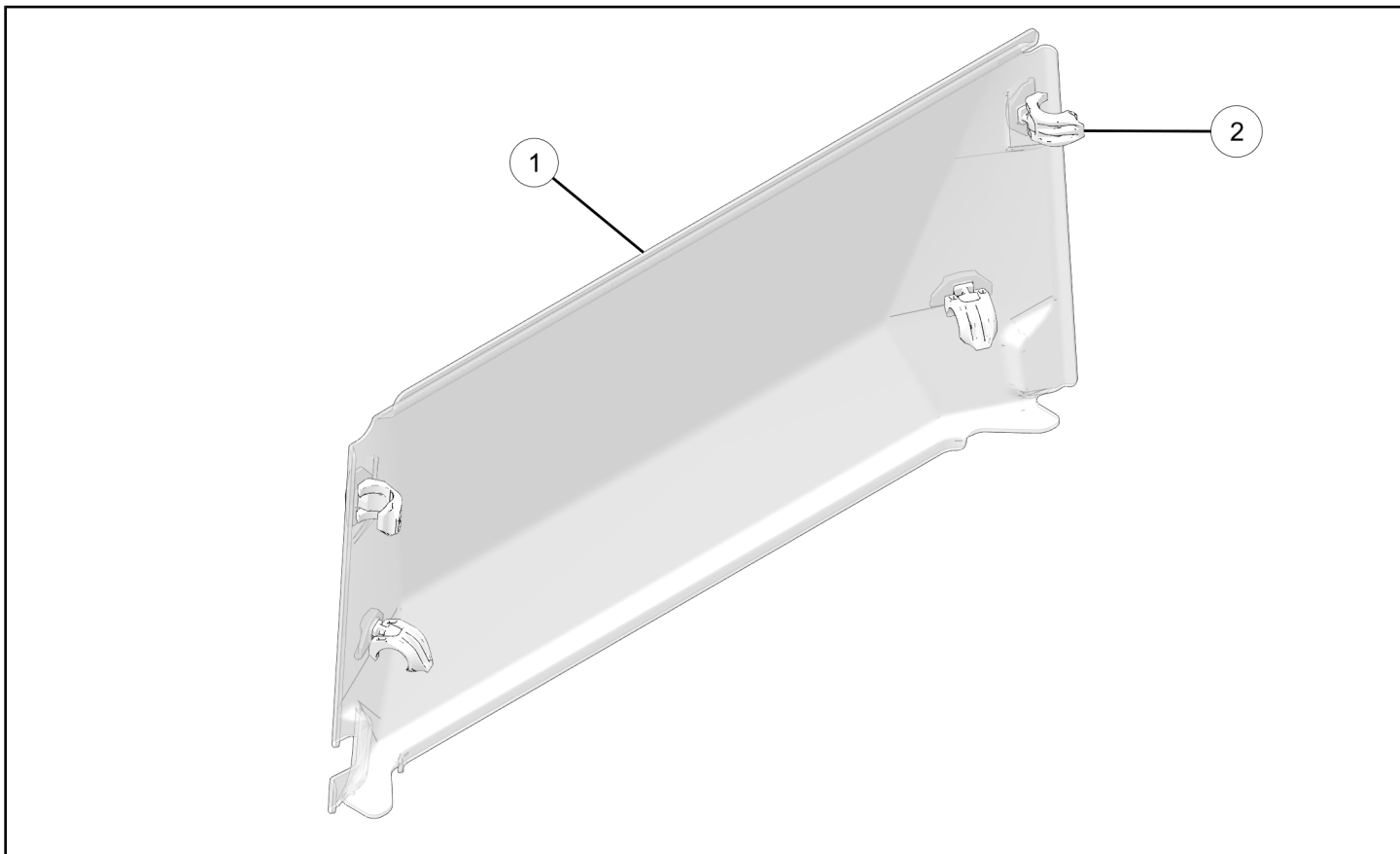
## BEFORE YOU BEGIN

Read these instructions and check to be sure all parts and tools are accounted for. Please retain these installation instructions for future reference and parts ordering information.

## APPLICATION

Verify accessory fitment at [www.polaris.com](http://www.polaris.com).

## KIT CONTENTS



REF	QTY	PART DESCRIPTION	P/N AVAILABLE SEPARATELY
1	1	Panel – Rear, Full	n/a
2	4	K-Clamp – RH/LH, 1.5 in	2890261

## TOOLS REQUIRED

None

## IMPORTANT

Your Rear Panel Kit is exclusively designed for your vehicle. Please read the installation instructions thoroughly before beginning. Installation is easier if the vehicle is clean and free of debris. For your safety, and to ensure a satisfactory installation, perform all installation steps correctly in the sequence shown.

# INSTALLATION INSTRUCTIONS

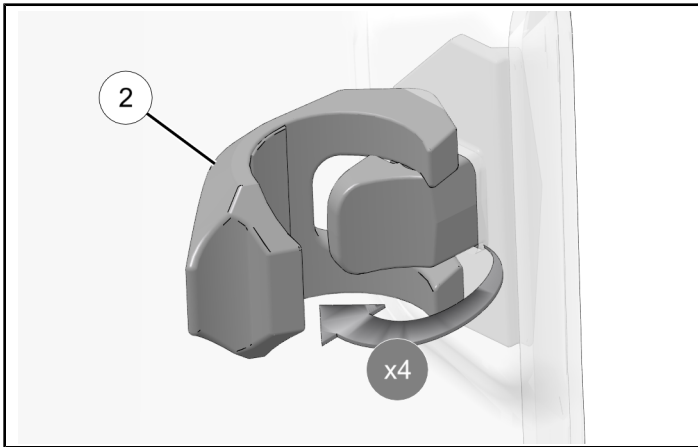
## VEHICLE PREPARATION

### GENERAL

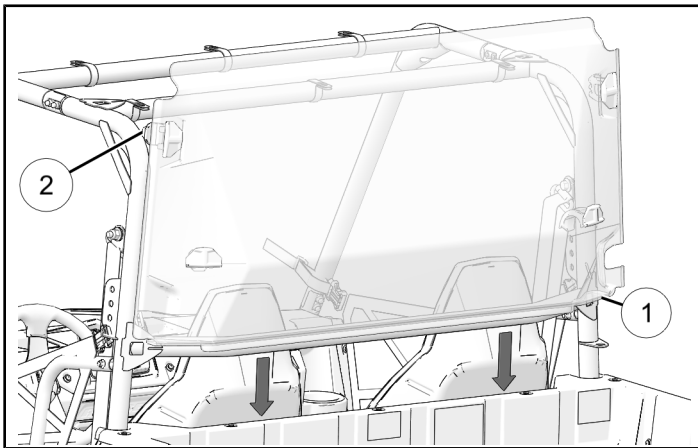
1. Park vehicle on a flat surface.
2. Push engine stop switch to OFF position.
3. Turn key to OFF position and remove key.

### ACCESSORY INSTALLATION

1. Make sure four clamps ② are open.



2. Put rear panel ① on vehicle. Make sure bottom edge seats into place on flat area behind seats. Make sure clamps ② are placed against ROPS.



### INSTRUCTION FEEDBACK FORM

A feedback form has been created for the installer to provide any comments, questions or concerns about the installation instructions. The form is viewable on mobile devices by scanning the QR code or by clicking [HERE](#) if viewing on a PC.



3. Lock four clamps ② to attach panel to ROPS.

