

# WINDSHIELD KIT



P/N 2889854; 2889855

## BEFORE YOU BEGIN

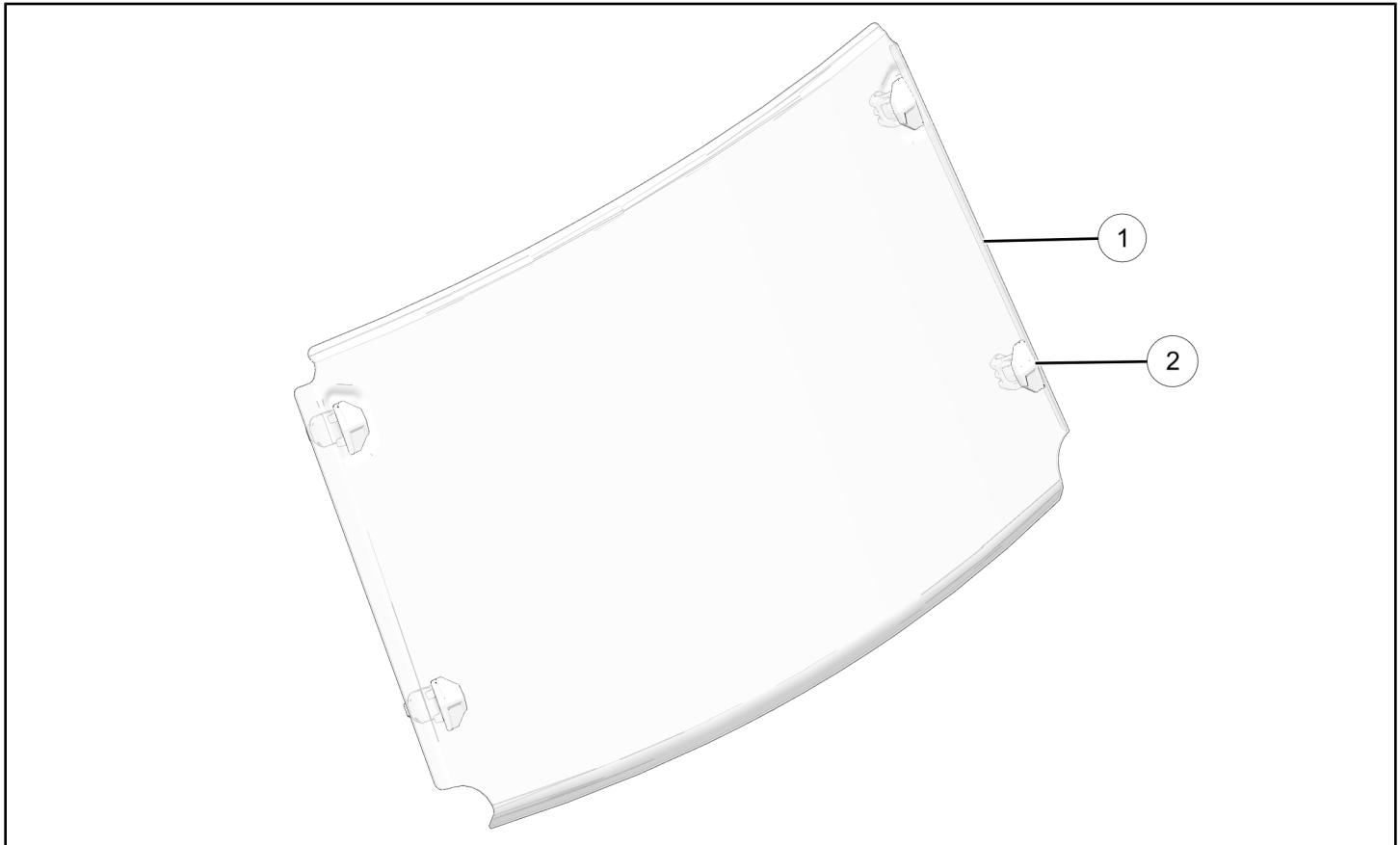
Read these instructions and check to be sure all parts and tools are accounted for. Please retain these installation instructions for future reference and parts ordering information.

## APPLICATION

Verify accessory fitment at [www.polaris.com](http://www.polaris.com).

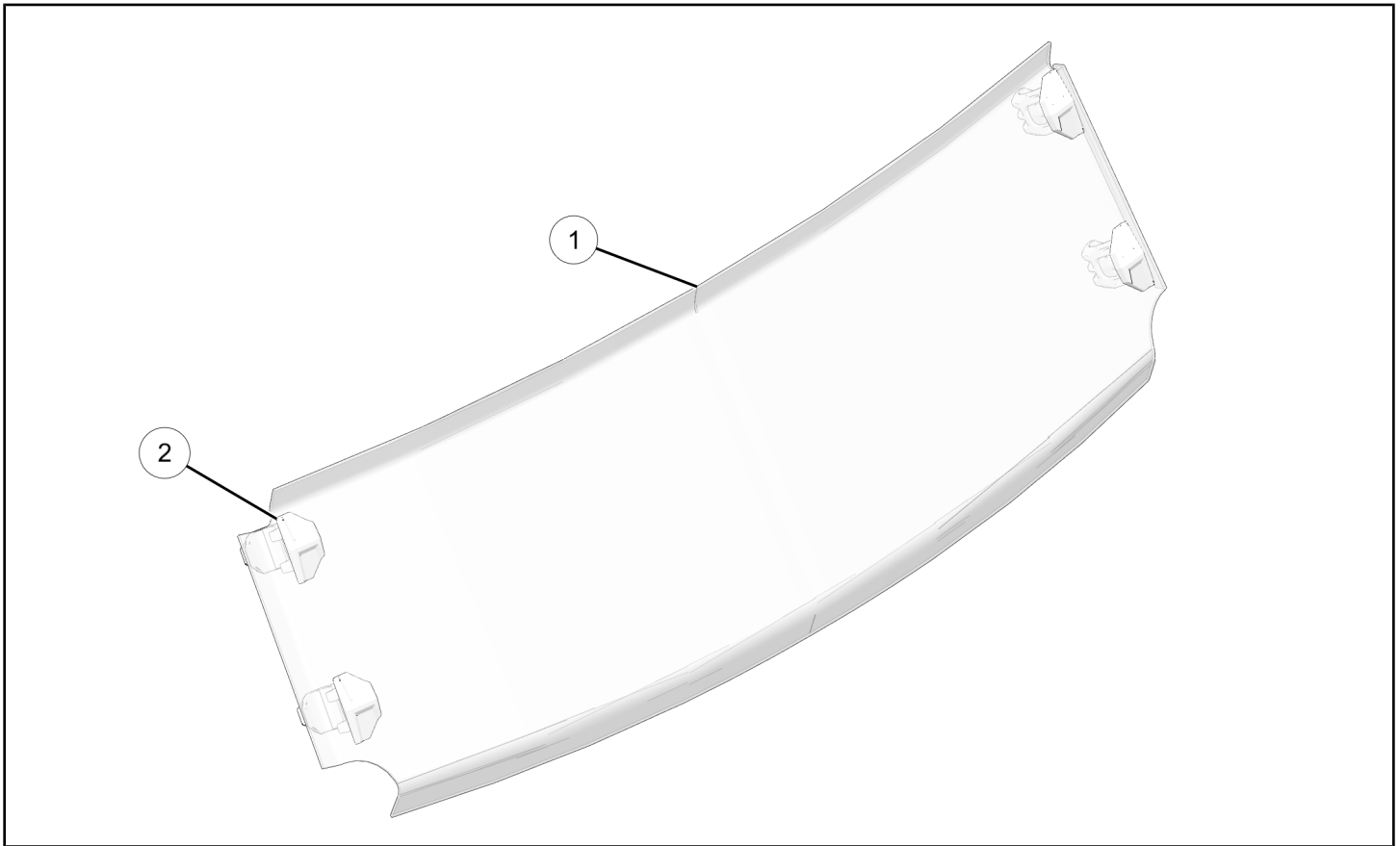
## KIT CONTENTS

### FULL WINDSHIELD P/N 2889854



REF	QTY	PART DESCRIPTION	P/N AVAILABLE SEPARATELY
1	1	Panel – Windshield, Full	n/a
2	4	K-Clamp – RH/LH, 1.5 in	2890261

## HALF WINDSHIELD P/N 2889855



REF	QTY	PART DESCRIPTION	P/N AVAILABLE SEPARATELY
1	1	Panel – Windshield, Half	n/a
2	4	K-Clamp – RH/LH, 1.5 in	2890261

### TOOLS REQUIRED

None

### IMPORTANT

Your Windshield Kit is exclusively designed for your vehicle. Please read the installation instructions thoroughly before beginning. Installation is easier if the vehicle is clean and free of debris. For your safety, and to ensure a satisfactory installation, perform all installation steps correctly in the sequence shown.

### INSTALLATION INSTRUCTIONS

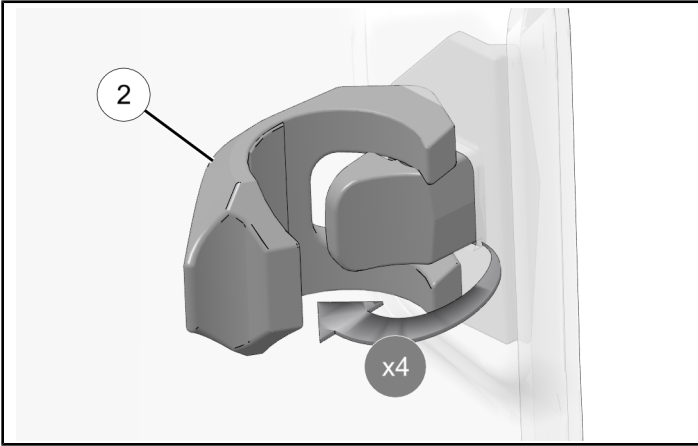
#### VEHICLE PREPARATION

##### GENERAL

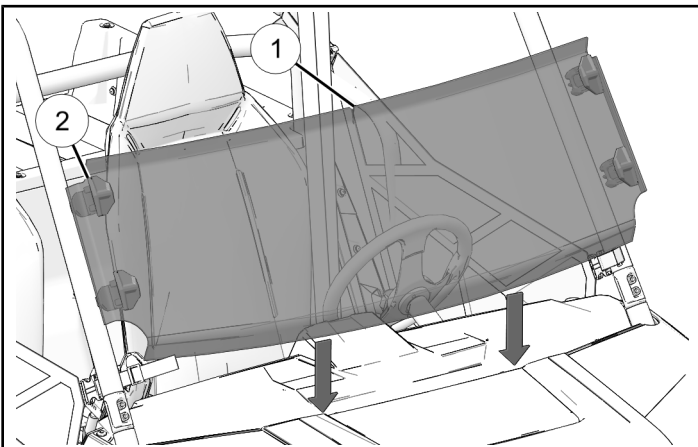
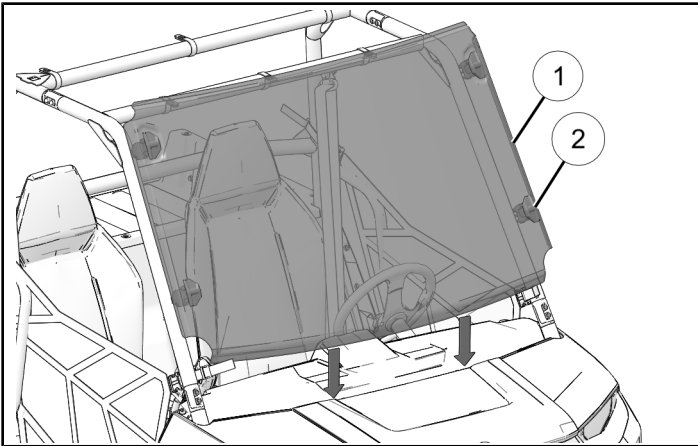
1. Park vehicle on a flat surface.
2. Push engine stop switch to OFF position.
3. Turn key to OFF position and remove key.

## ACCESSORY INSTALLATION

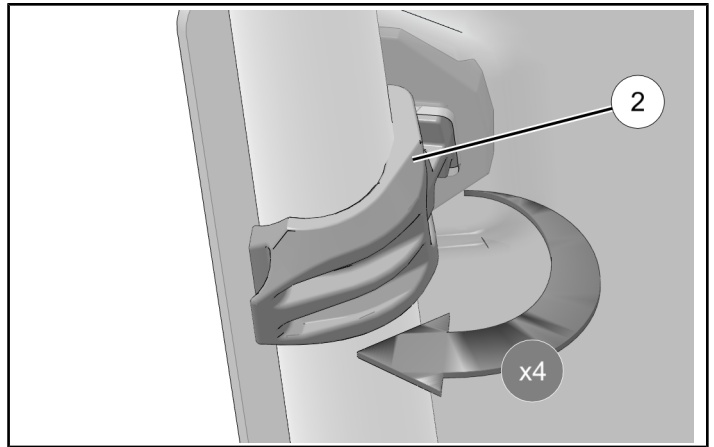
1. Make sure four clamps ② are open.



2. Put windshield ① on vehicle. Make sure bottom edge seats in place.



3. Lock four clamps ② to attach windshield to ROPS.



## INSTRUCTION FEEDBACK FORM

A feedback form has been created for the installer to provide any comments, questions or concerns about the installation instructions. The form is viewable on mobile devices by scanning the QR code or by clicking [HERE](#) if viewing on a PC.

