

# SCENE LIGHTS KIT



P/N 2884783

## MISSING OR DAMAGED PARTS

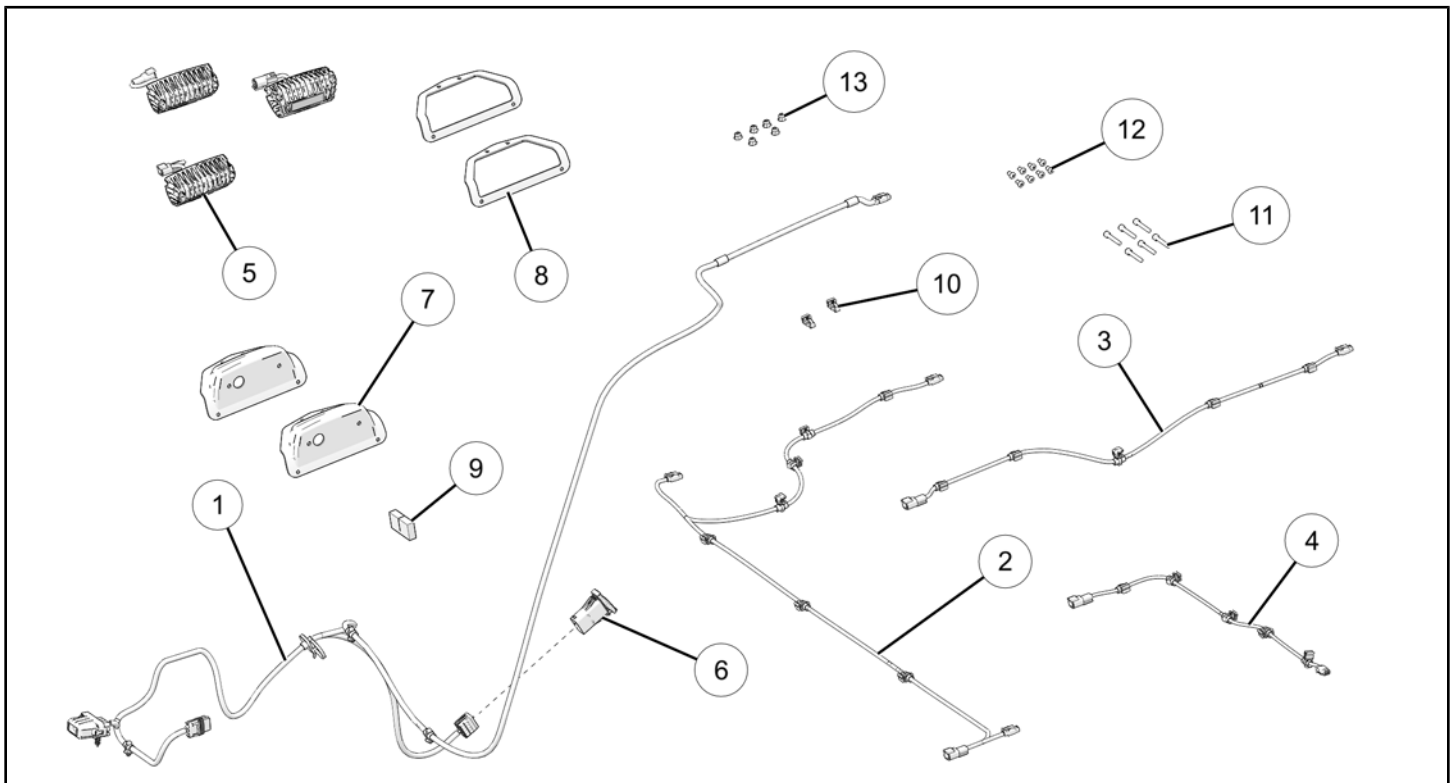
Before beginning assembly, inspect the kit and its component(s) to be sure all parts and tools are accounted for and not damaged. If missing parts or parts are damaged, please contact your Selling Dealer for assistance.

If your accessory was purchased online, please contact POLARIS® customer service at **1-800-POLARIS** (US & Canada only).

## APPLICATION

Verify accessory fitment at [www.polaris.com](http://www.polaris.com).

## KIT CONTENTS

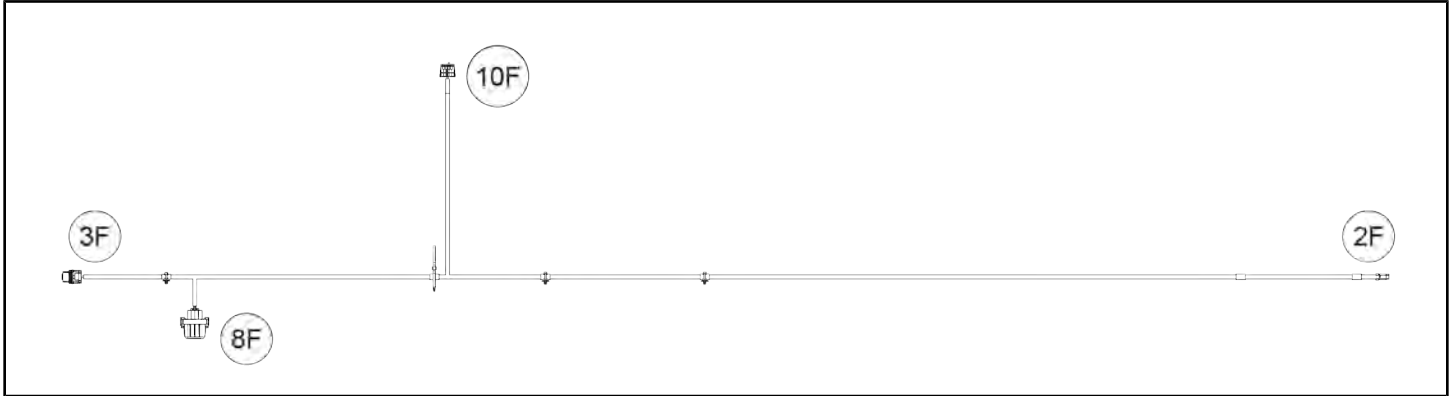


REF	QTY	PART DESCRIPTION	P/N AVAILABLE SEPARATELY	AVAILABLE SERVICE KIT
1	1	Harness, Scene Light Control	n/a	n/a
2	1	Harness, Scene Light	n/a	n/a
3	1	Harness, Scene Light Extension	n/a	n/a
4	1	Harness, ADV Scene Light	n/a	n/a
5	3	Scene Light	4019245	n/a
6	1	Switch, Scene Light	4080801-22	n/a
7	2	Pod, Scene Light	n/a	n/a
8	2	Gasket, Scene Light Pod	n/a	n/a

REF	QTY	PART DESCRIPTION	P/N AVAILABLE SEPARATELY	AVAILABLE SERVICE KIT
9	1	Seal, Split Foam Block	n/a	n/a
10	2	Clip, Edge	7082403	2209580
11	6	Screw, Hex Socket M6 x 1.0 x 40 mm	7518780	2209580
12	8	Screw, Torx® Button Head M6 x 1.0 x 12 mm	7519063	2209580
13	6	Nut, Hex Flange M6 x 1.0 mm	7548027	2209580

## HARNES DETAIL

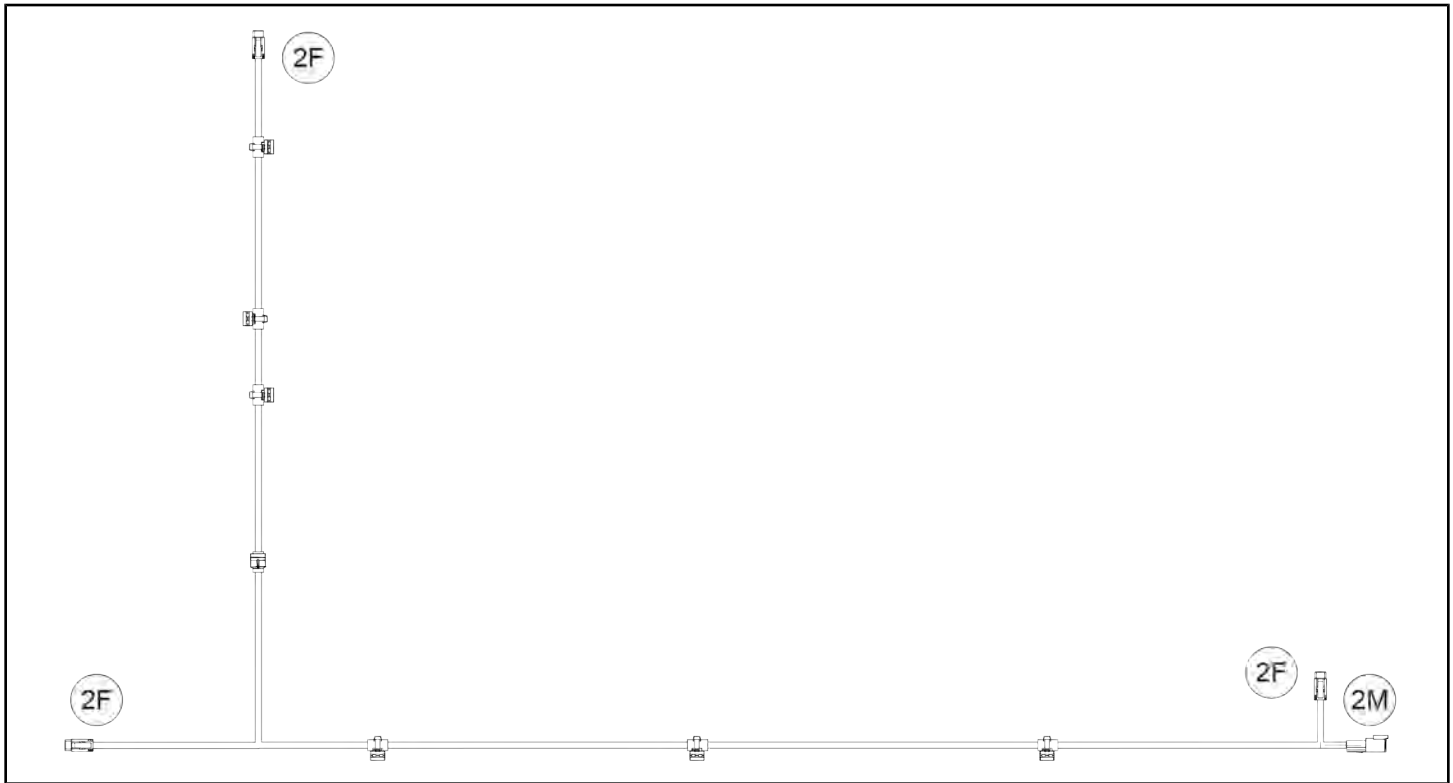
### SCENE LIGHT CONTROL HARNES ①



REF	PART DESCRIPTION	CONNECTS TO
2F	Harness Connector	Scene Light Harness ②
3F	Pulse Connector	Polaris Pulse® Bar
8F	Fuse Box Connector	Fuse Box
10F	Switch Connector	Scene Light Switch ⑥

Example: 16F = 16 pin, Female / 16M = 16 pin, Male (Male terminal fits inside female terminal)

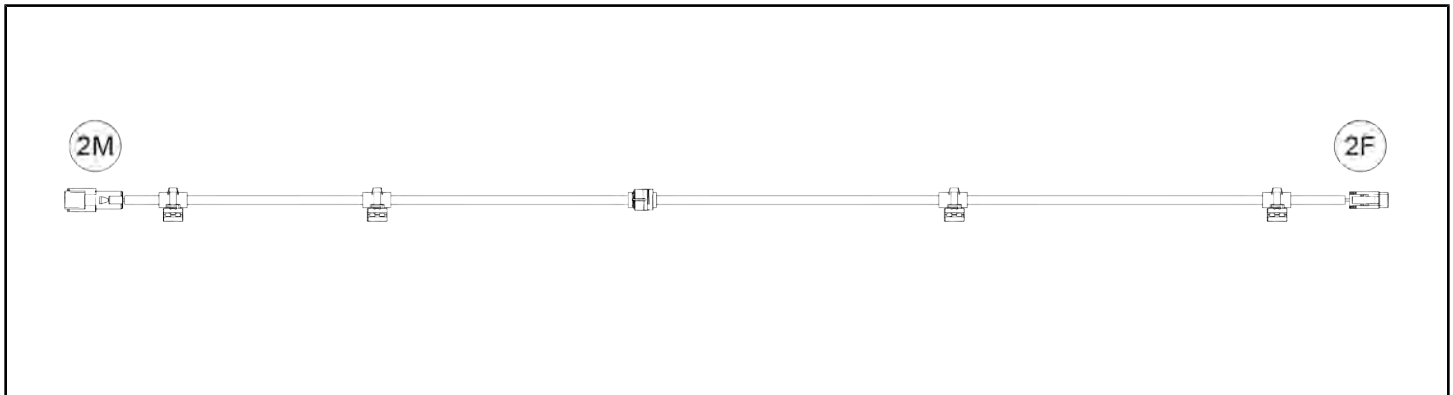
## SCENE LIGHT HARNESS ②



REF	PART DESCRIPTION	CONNECTS TO
2F	Scene Light Connector	Right Scene Light ⑤
2F	Harness Connector	Rear Scene Light ⑤, Scene Light Extension Harness ③, or ADV Scene Light Harness ④
2F	Scene Light Connector	Left Scene Light ⑤
2M	Harness Connector	Scene Light Control Harness ①

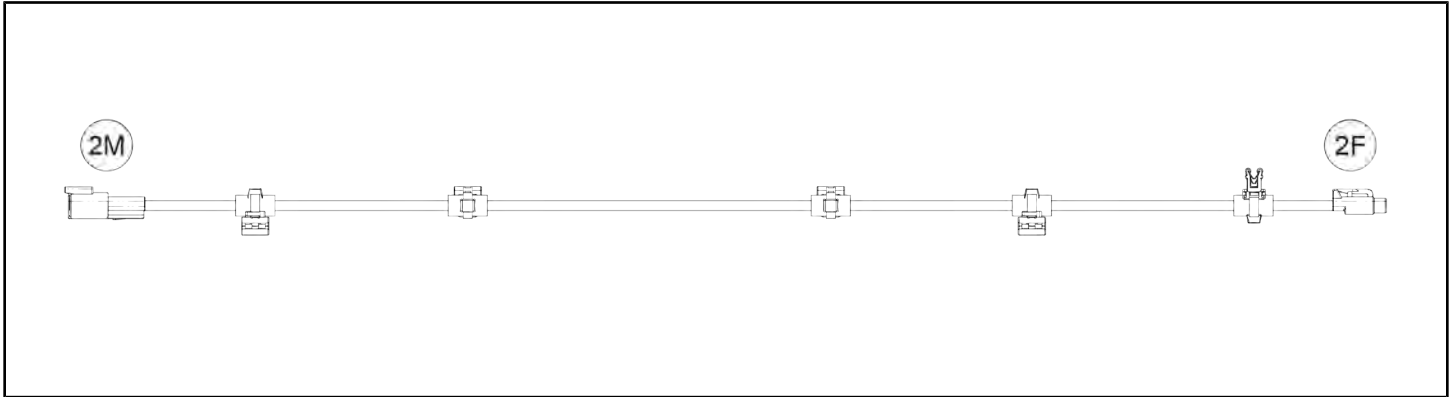
Example: 16F = 16 pin, Female / 16M = 16 pin, Male (Male terminal fits inside female terminal)

## SCENE LIGHT EXTENSION HARNESS ③



REF	PART DESCRIPTION	CONNECTS TO
2F	Harness Connector	Rear Scene Light ⑤, or ADV Scene Light Harness ④
2M	Harness Connector	Scene Light Harness ②
Example: 16F = 16 pin, Female / 16M = 16 pin, Male (Male terminal fits inside female terminal)		

## ADV SCENE LIGHT HARNESS ④



REF	PART DESCRIPTION	CONNECTS TO
2F	Harness Connector	Rear Scene Light ⑤
2M	Harness Connector	Scene Light Extension Harness ③, or Scene Light Harness ②
Example: 16F = 16 pin, Female / 16M = 16 pin, Male (Male terminal fits inside female terminal)		

## TOOLS REQUIRED

- Safety Glasses
- Drill
- Drill Bit:
  - 11/64 in (5 mm)
  - 1/4 in (6 mm)
  - 3/4 in (19 mm)
- Hex Key Set, Metric
- Hole Saw:
  - 3/4 in (19 mm)
- Pick and Hook Set
- Screwdriver, Phillips
- Screwdriver, Slotted
- Screwdriver Set, Torx®
- Socket Set, Hex Bit, Metric
- Socket Set, Metric
- Socket Set, Torx® Bit
- Torque Wrench
- Wrench Set, Metric

## IMPORTANT

Your Scene Lights Kit is exclusively designed for your vehicle. Please read the installation instructions thoroughly before beginning. Installation is easier if the vehicle is clean and free of debris. For your safety, and to ensure a satisfactory installation, perform all installation steps correctly in the sequence shown.

## INSTALLATION INSTRUCTIONS

### VEHICLE PREPARATION

#### GENERAL

1. Park vehicle on a flat surface.

2. Shift vehicle into PARK.

3. Turn key to OFF position and remove key.

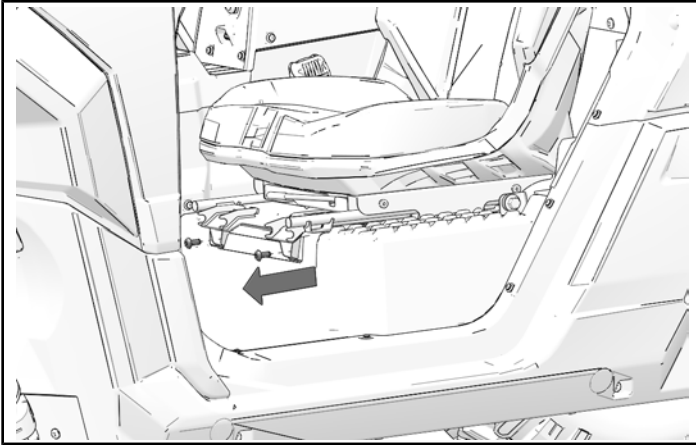


## BATTERY DISCONNECTION

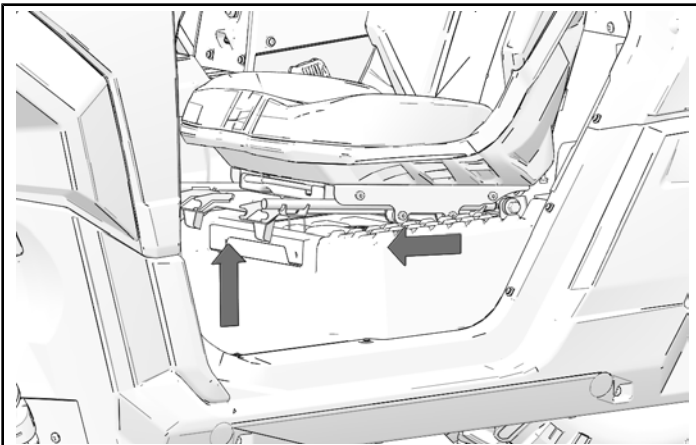
### NOTICE

Doors hidden for clarity.

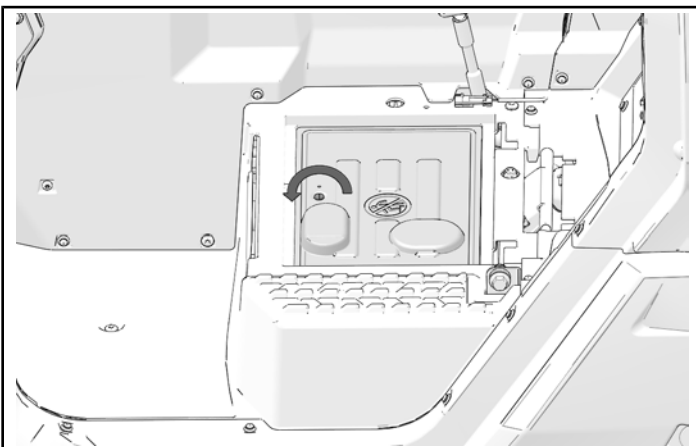
1. Remove and keep two screws from front of driver seat base.



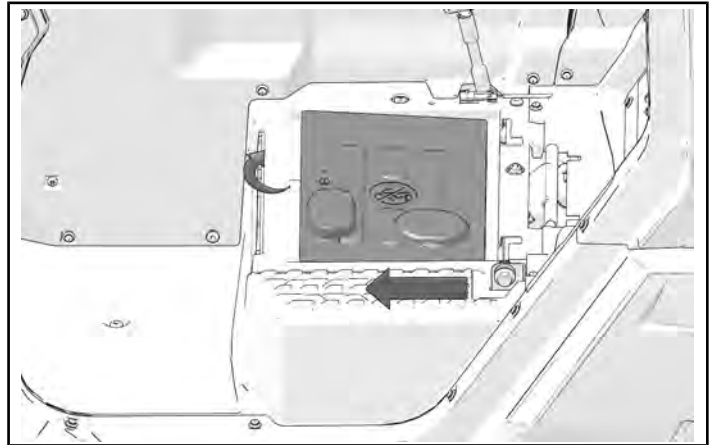
2. Lift front of seat and pull forward to remove seat.



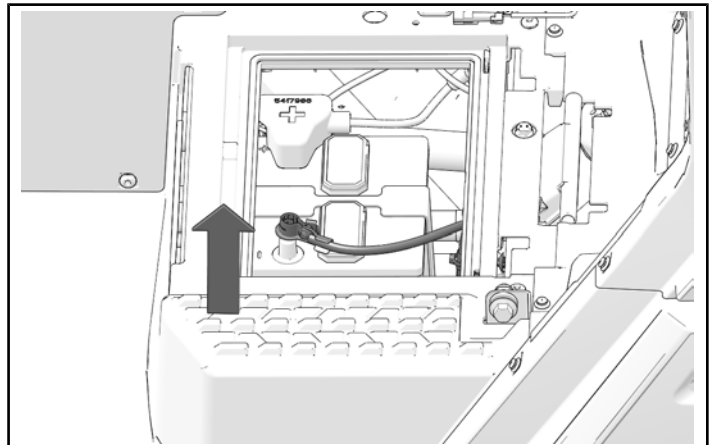
3. Turn screw to open cover.



4. Lift cover and slide forward to remove.

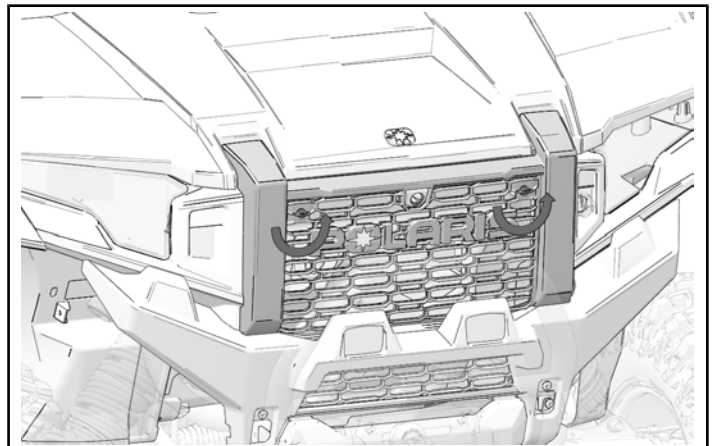


5. Disconnect negative (-) cable from battery.

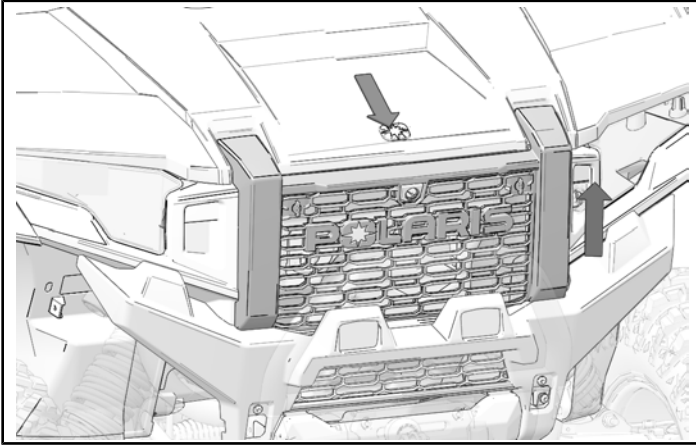


## HOOD AND GRILL REMOVAL

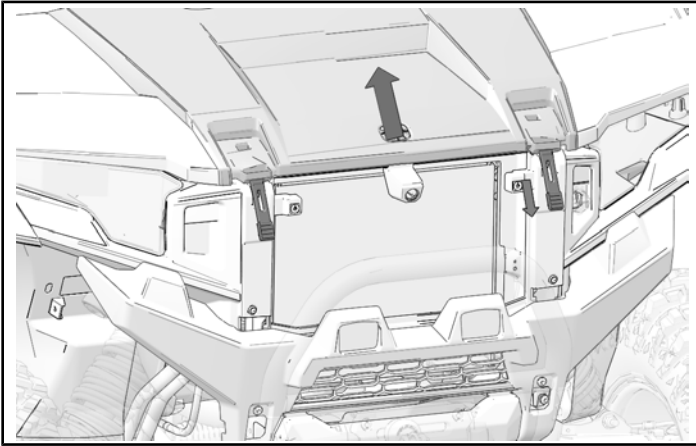
1. Turn each stud one-quarter turn to release grill.



2. Pull top of grill forward and then lift up to remove grill.



3. Pull rubber straps off hooks to release hood. Lift hood to remove.



### REMOVE LOWER A PILLAR TRIM

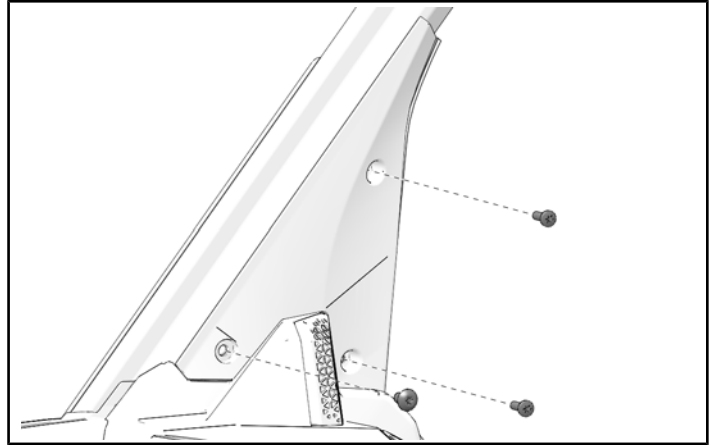
#### NOTICE

If vehicle is equipped with poly windshield, removal of lower mounting hardware may make removal of lower A-pillar trim easier.

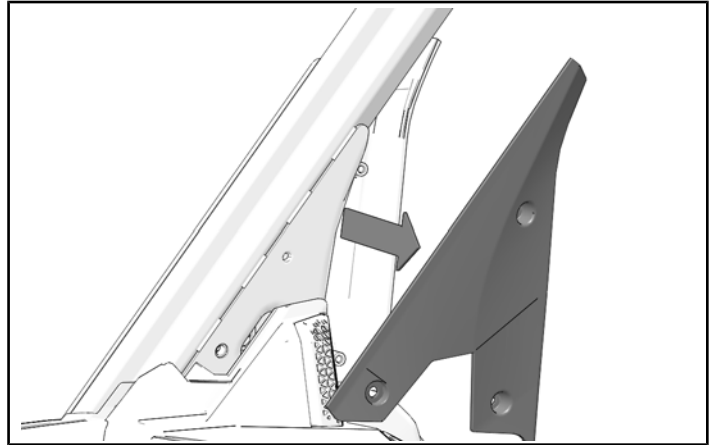
1. Remove three screws from lower A-pillar trim panel.

#### NOTICE

Right side shown; left side similar.



2. Pull A-pillar trim piece away from vehicle.



### VEHICLES EQUIPPED WITH TIP-OUT WINDSHIELD

#### NOTICE

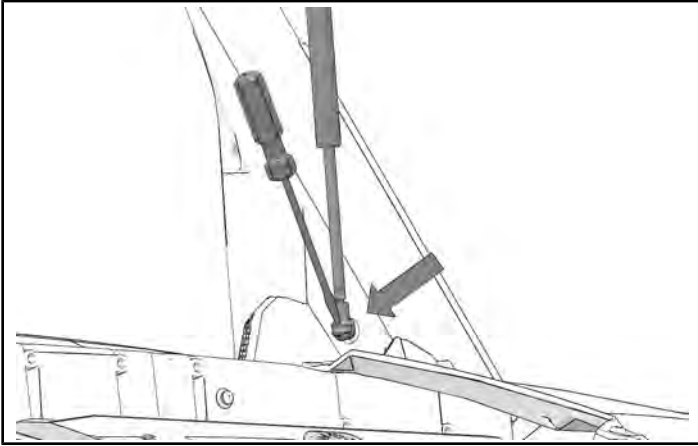
Left side shown; Right side similar.

1. Open tip-out windshield. Install a support to hold weight of windshield.

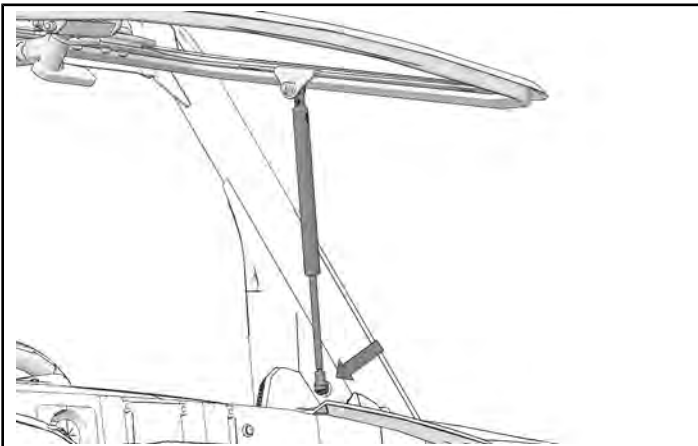
2. Use appropriate tool to release clip at lower end of gas spring.

**CAUTION**

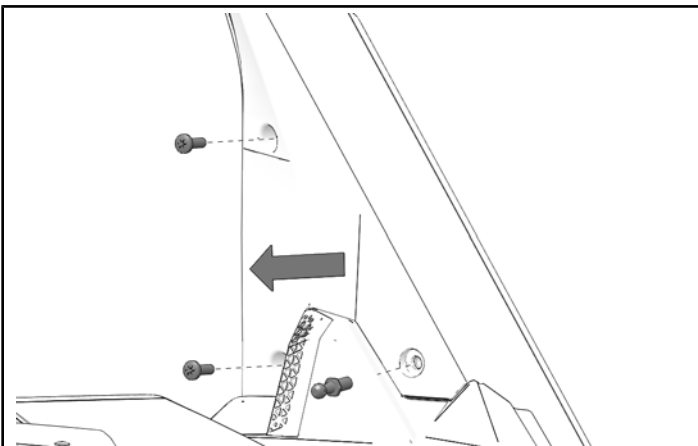
Use care when releasing the clip. Clip may spring away from fitting, and may strike objects or become lost.



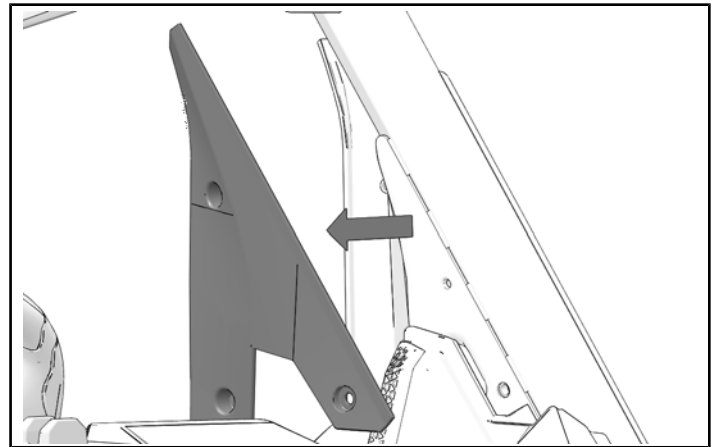
3. Disconnect bottom of gas springs.



4. Remove two screws and ball stud from lower A-pillar trim panel.



5. Pull A-pillar trim piece away from vehicle.



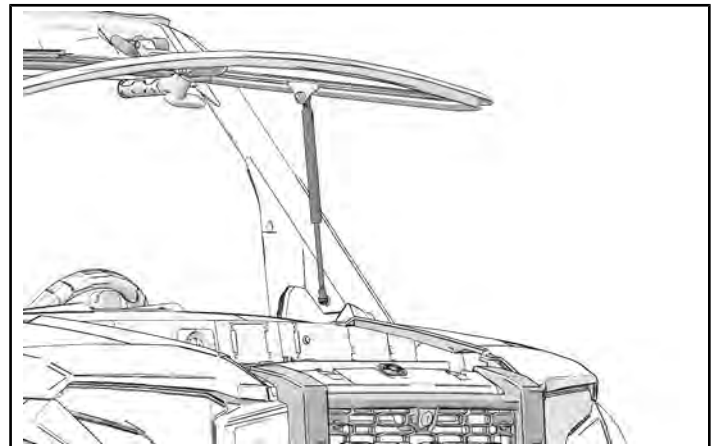
**CENTER DASH PANEL REMOVAL**

**VEHICLES WITH TIP-OUT WINDSHIELD**

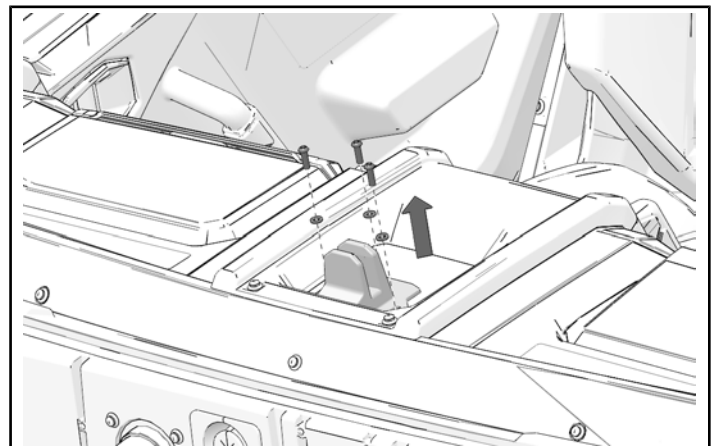
**NOTICE**

For vehicles without tip-out windshield, proceed to Panel Removal.

1. Open tip-out windshield.

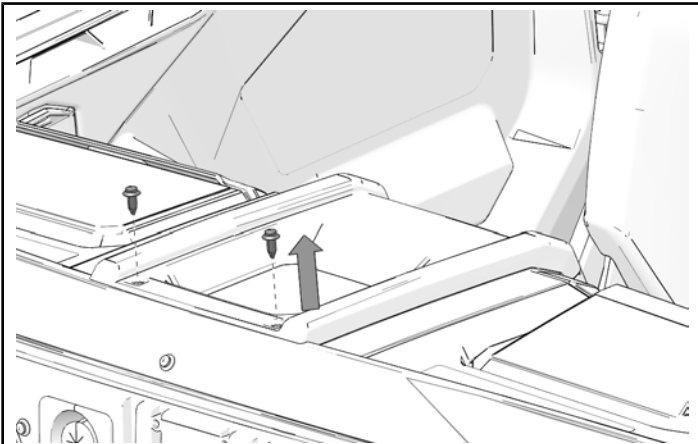


2. Remove and keep three screws and washers. Remove and keep windshield base.

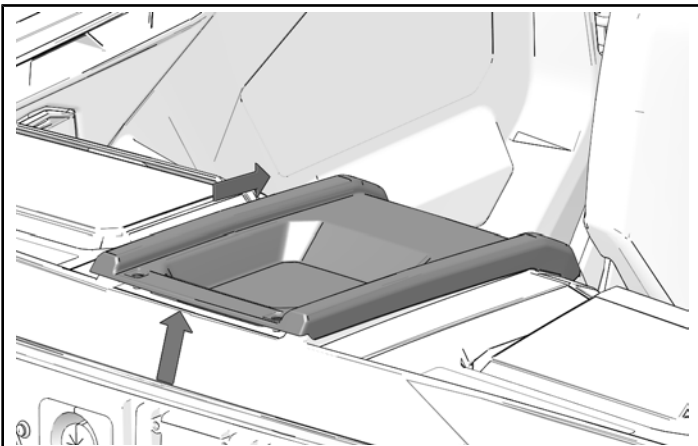


## PANEL REMOVAL

1. Remove and keep two push-pin rivets from center dash panel.



2. Remove and keep panel by lifting front edge and moving backward.



## HEAD UNIT REMOVAL

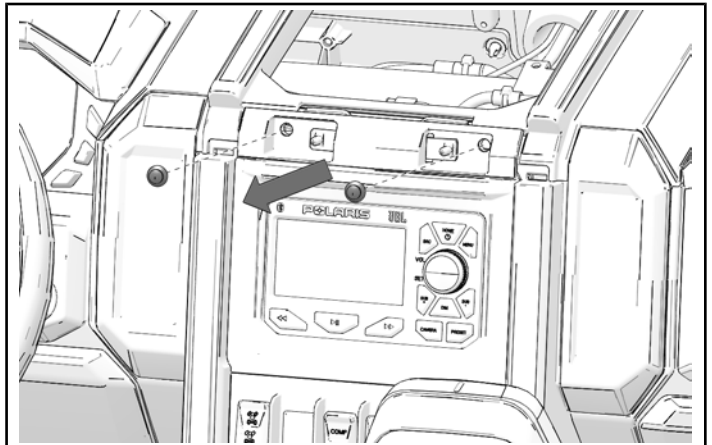
### NOTICE

Vehicles without audio system will have a storage bin in place of head unit. Storage bin is removed in a similar manner to head unit.

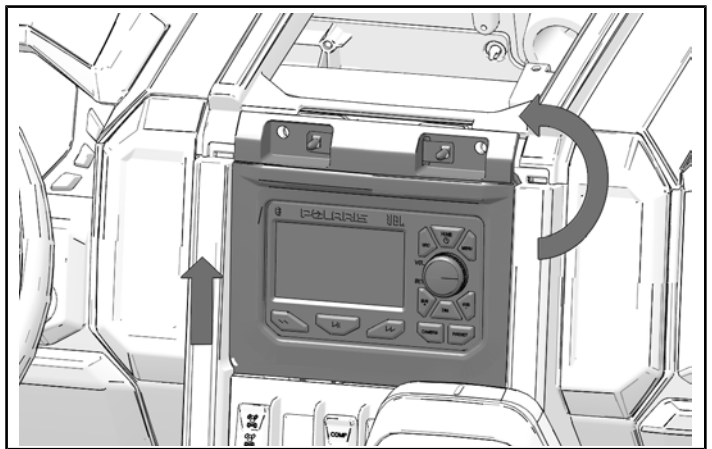
### NOTICE

Base audio head unit removal shown. Ride Command® display removal similar.

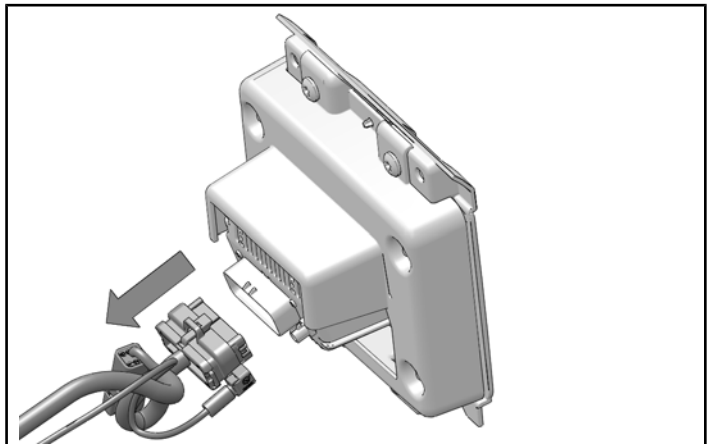
1. Remove and keep two push-pin rivets from top of the head unit.



2. Pull top of head unit away from dash and lift head unit up to remove from dash.



3. Disconnect wiring harness and antenna from head unit. Remove and keep head unit.



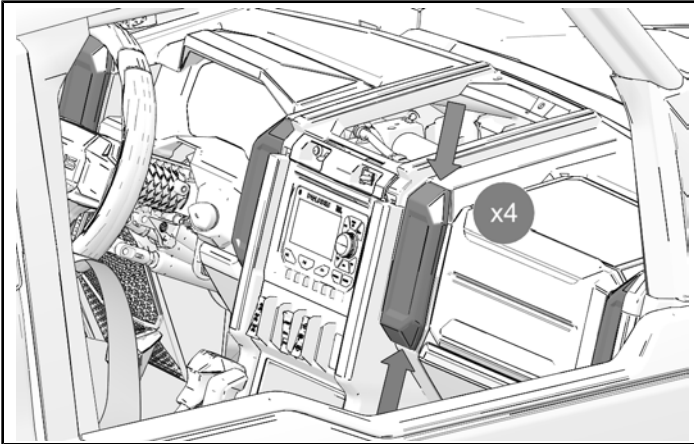


## REMOVE DASH COVER

1. Remove four dash vents/covers. Pry simultaneously at top and bottom of vent/cover to remove.

### IMPORTANT

Make sure white clips on back of vents/covers do not become lost.



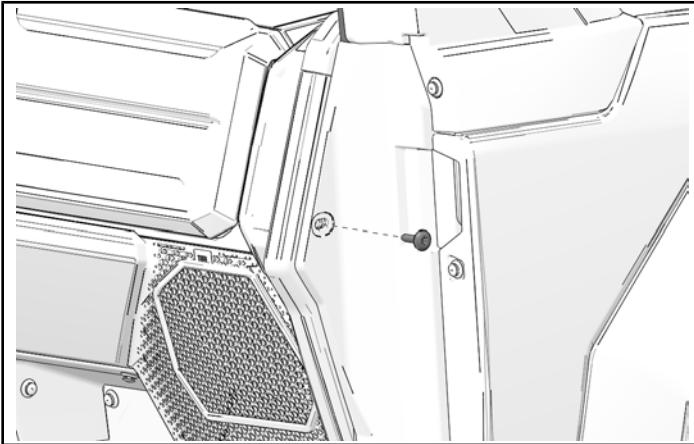
2. Remove one screw at each side of dash cover.

### NOTICE

Right side shown; left side similar.

### TIP

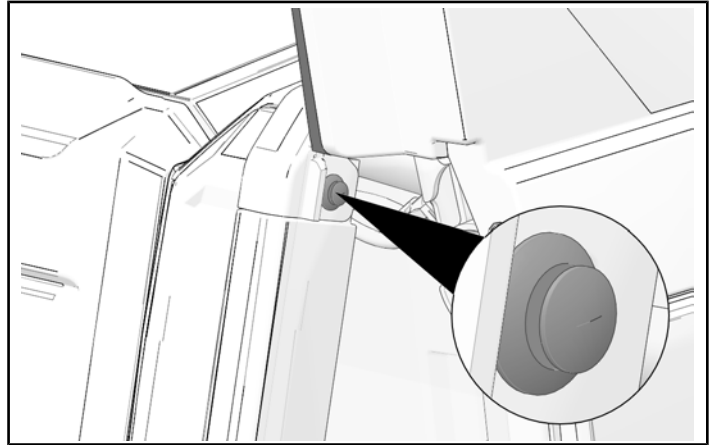
Doors will need to be fully open to access and remove these screws. Removal of these screws allows cover to be pulled open in next step to remove push-pin rivet.



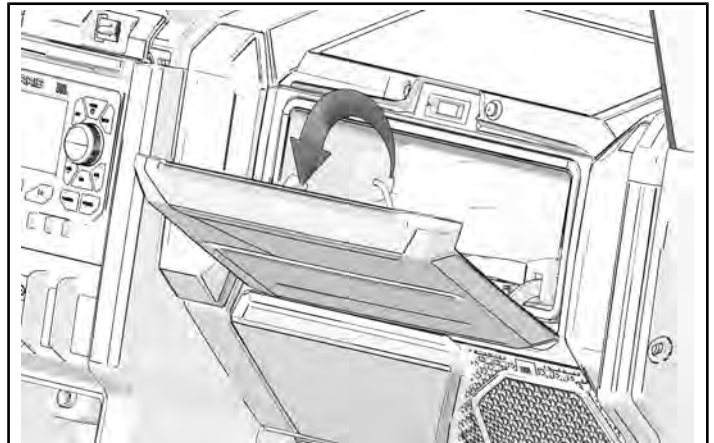
3. Carefully pull plastic cover away from lower A-pillar area and remove one push-pin rivet from side of dash cover.

### NOTICE

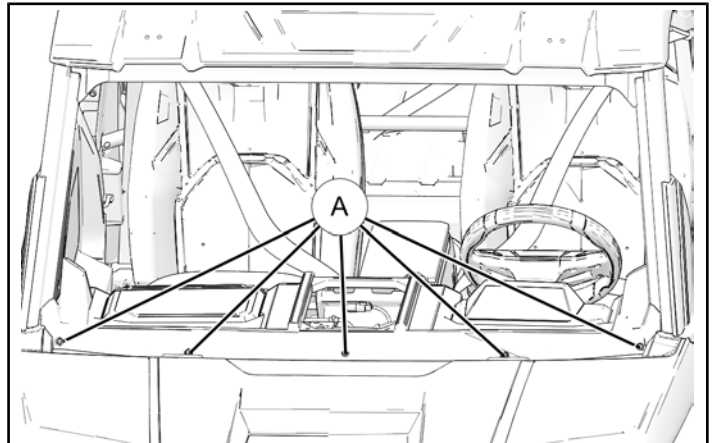
A-pillar trim hidden for clarity.



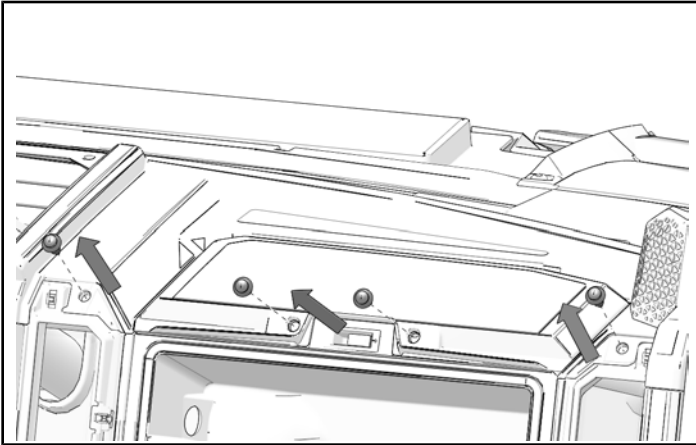
4. Open glove box.



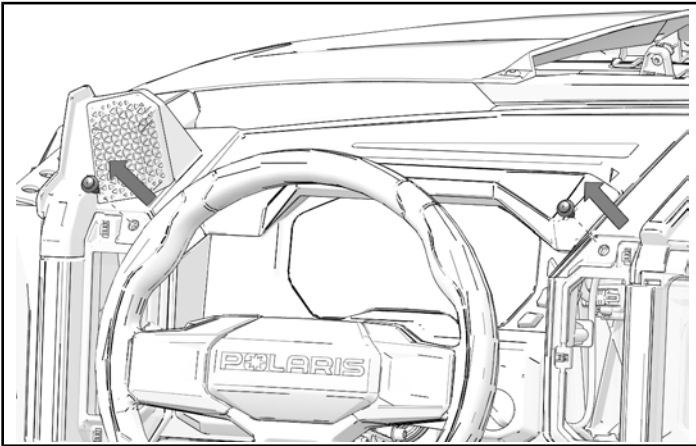
5. Remove and keep five screws (A) and washers at front of dash cover.



6. Remove four push-pin rivets from passenger side of dash cover.



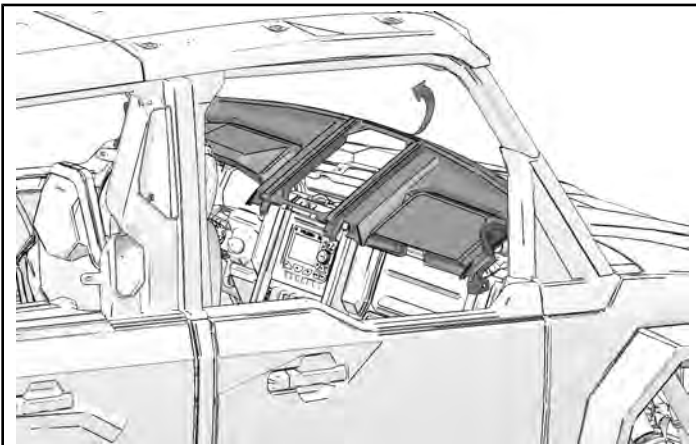
7. Remove two push-pin rivets from drivers side of dash cover.



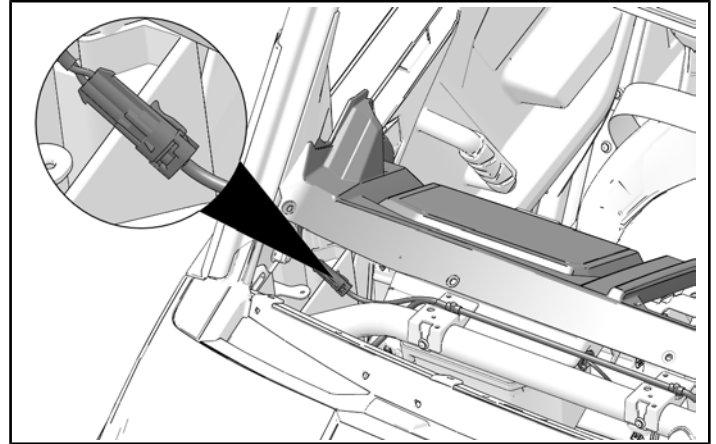
8. Lift up and forward to remove dash cover.

**TIP**

Lift up on front center of dash to disengage two radio retention tabs.



9. If vehicle is equipped with upper tweeters, make sure to unplug tweeters when removing dash cover.

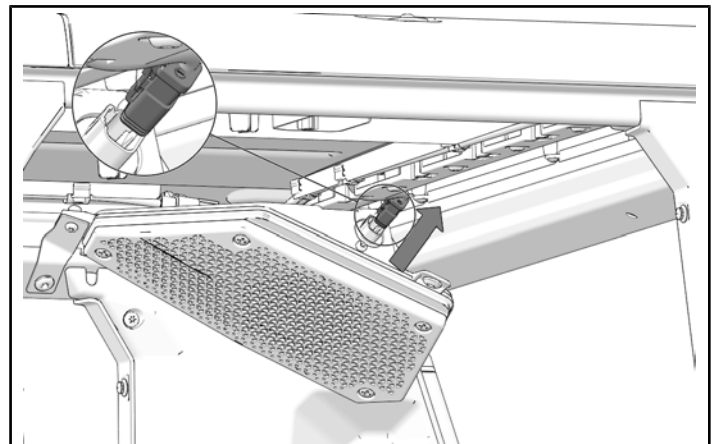


**REAR SPEAKER REMOVAL (2 PASSENGER ONLY, IF EQUIPPED)**

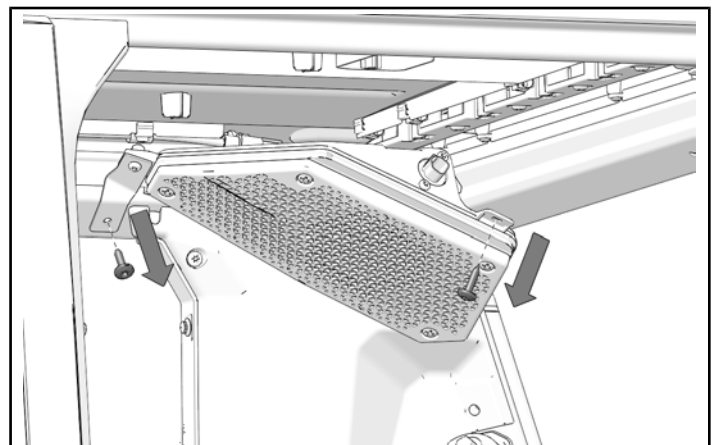
**NOTICE**

Right side shown; left side similar.

1. Disconnect wiring harness from the rear speaker.

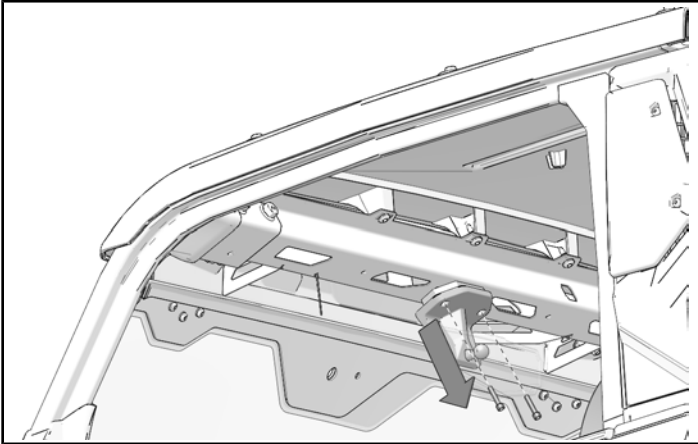


2. Remove and keep two screws. Remove the speaker.

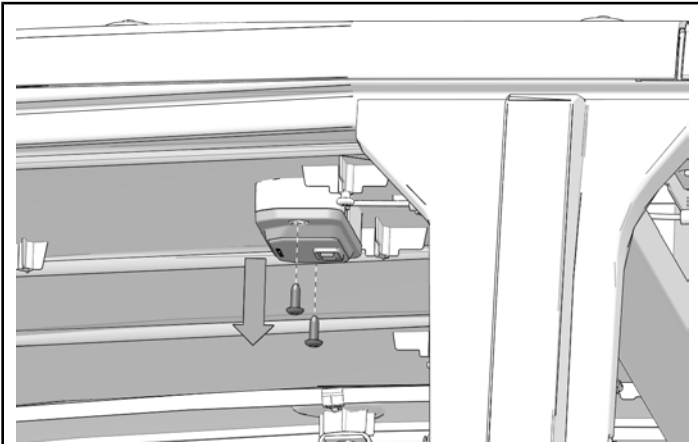


## FRONT ROOF LINER REMOVAL

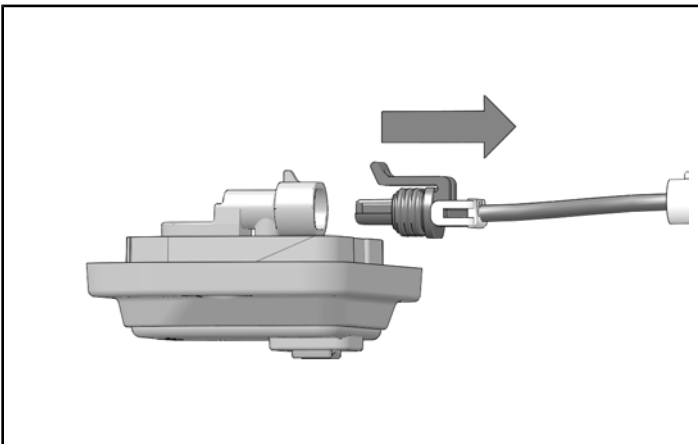
1. Remove and save two screws and rearview mirror assembly (if equipped).



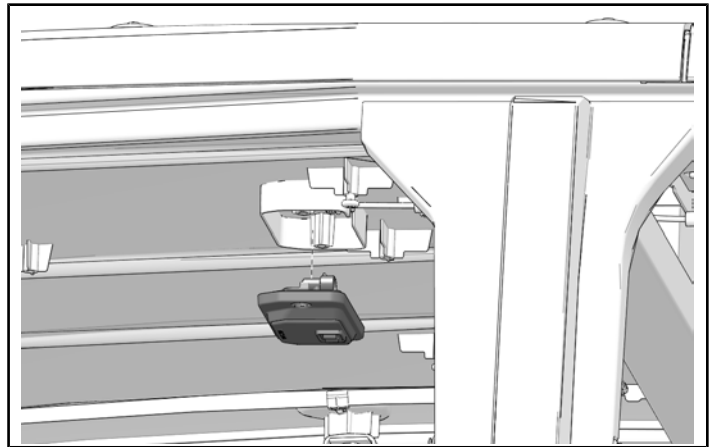
2. Remove and keep two screws to uninstall dome light.



3. Disconnect dome light from wiring harness.



4. Remove and keep dome light.



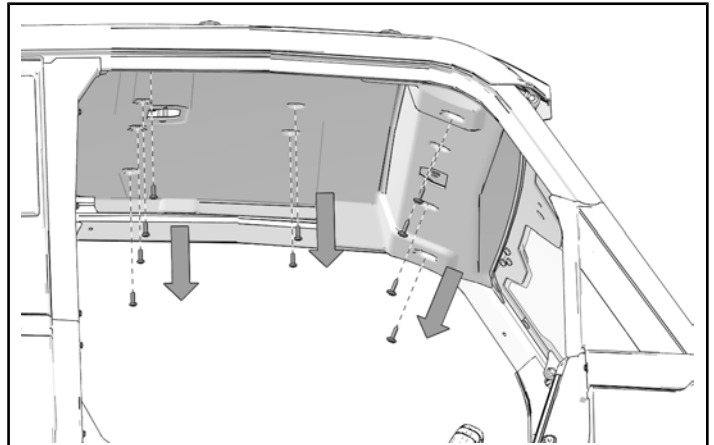
5. Remove and keep six screws from top of roof liner and four screws from front of roof liner.

### NOTICE

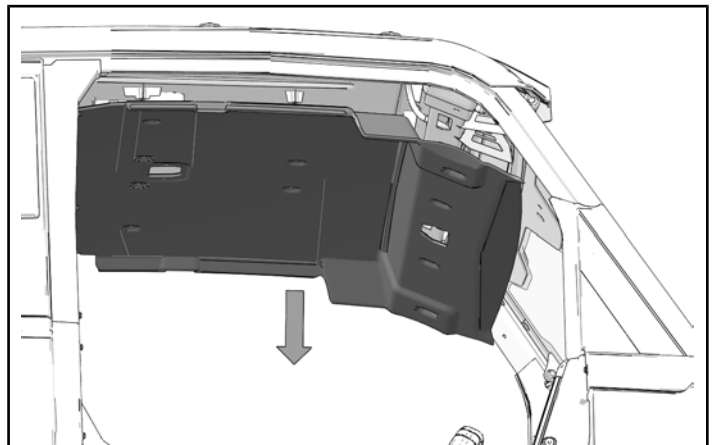
Vehicles that are not equipped with rearview mirror will have a fifth screw at front of roof liner.

### NOTICE

Vehicles equipped with 2-passenger cab will have three additional screws near rear of roof liner.

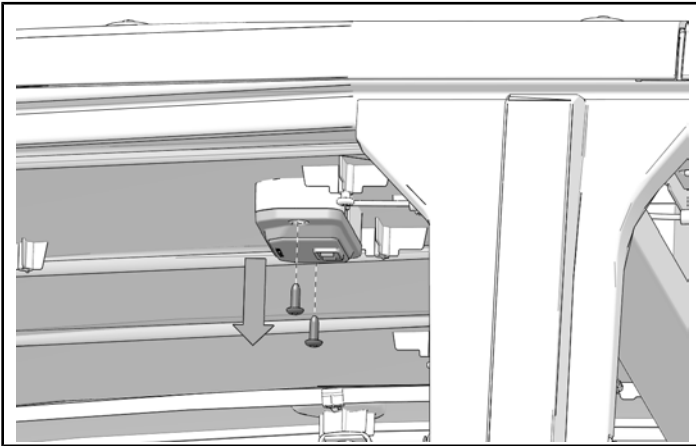


6. Remove and keep front roof liner.

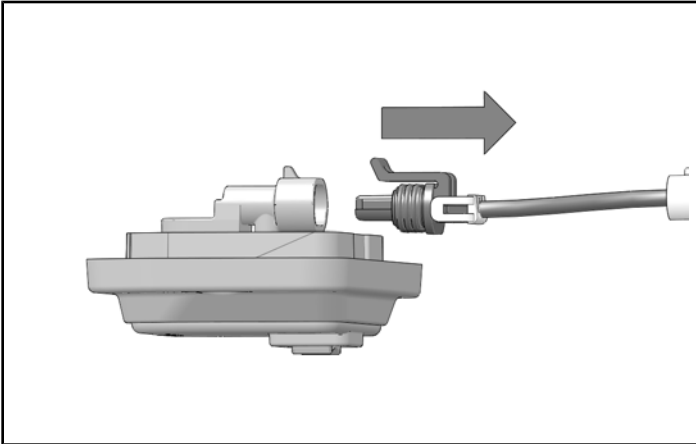


## **MID ROOF LINER REMOVAL**

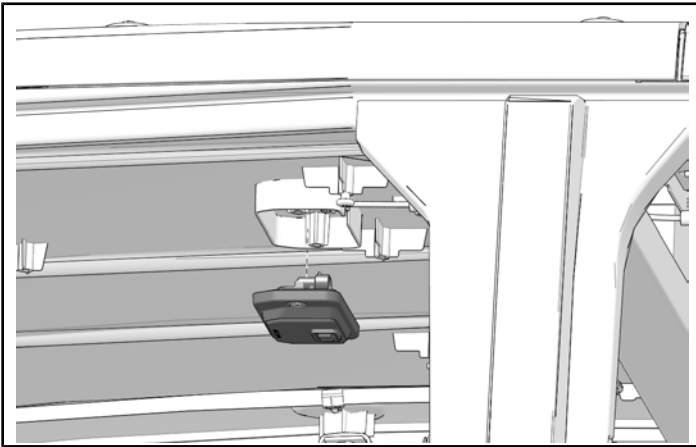
1. Remove and keep two screws to remove dome light.



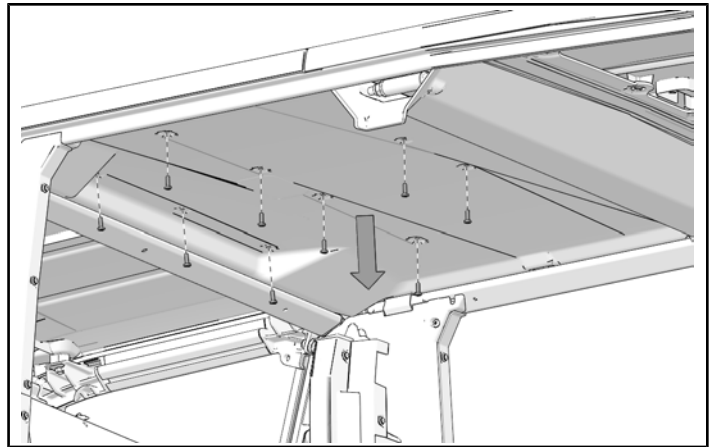
2. Disconnect dome light from wiring harness.



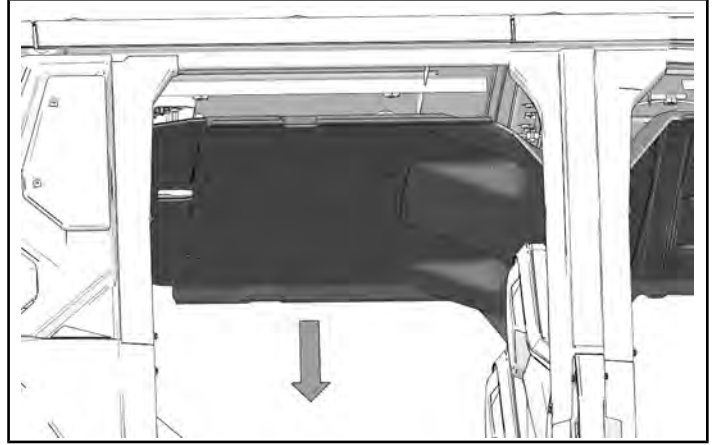
3. Remove and keep dome light.



4. Remove and keep nine screws from mid roof liner.

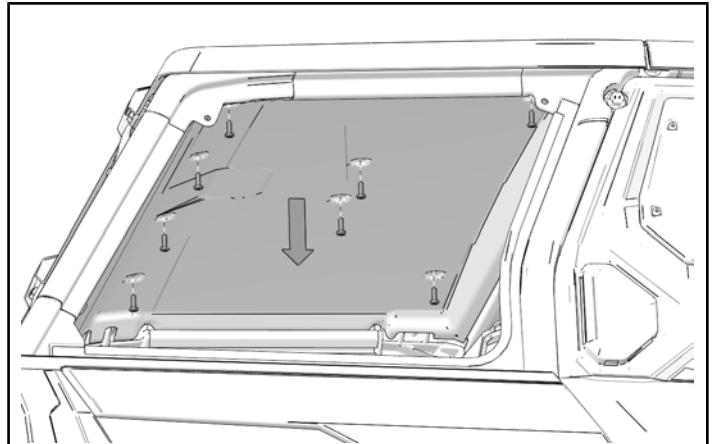


5. Remove mid roof liner.



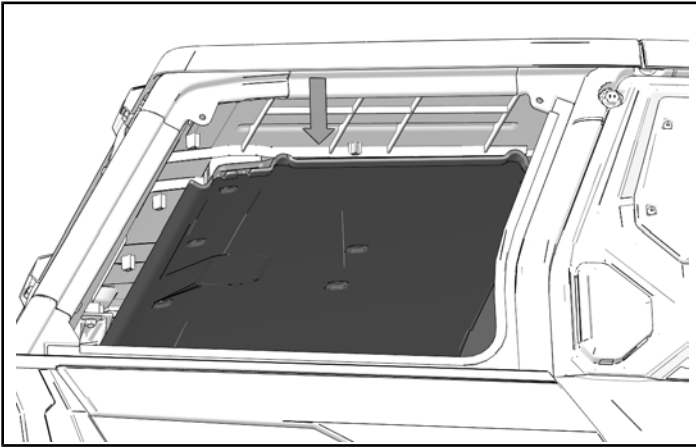
## **REAR ROOF LINER REMOVAL**

1. Remove and keep eight screws from rear liner.





2. Remove rear liner.



## ROOF REMOVAL

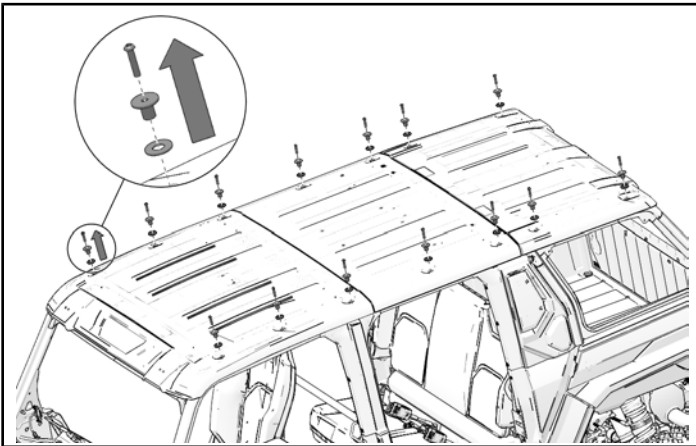
### NOTICE

Multi-passenger ADV model shown; other models similar

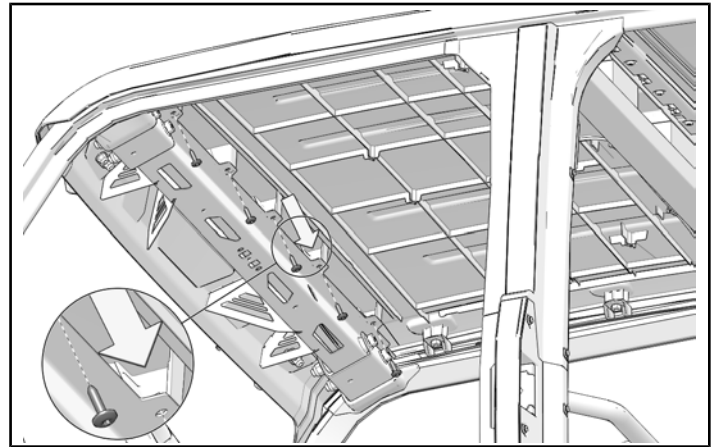
1. Remove any edge clips that are holding wiring harnesses to roof. Label locations to ease later installation.
2. Remove and keep roof screws, spacers, and washers from top of roof.

### NOTICE

Note that when roof screws are removed, most weld nuts under roof will remain in place. Two weld nuts are not supported, and will fall if not supported. These are the rearmost weld nuts on XP models, and above the rear seat backs on ADV models.



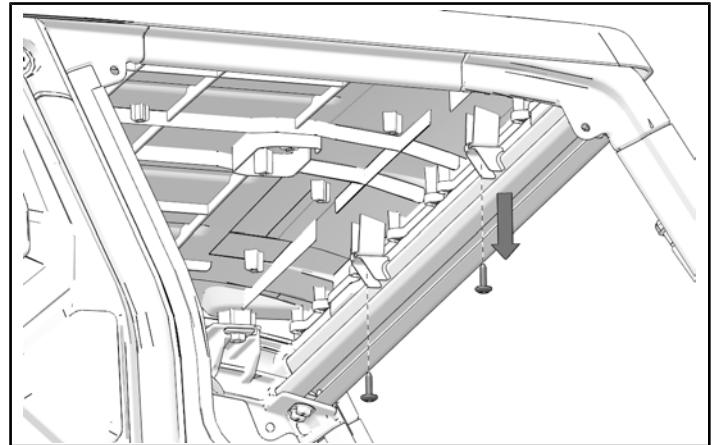
3. Remove and keep five screws from front underside of roof.



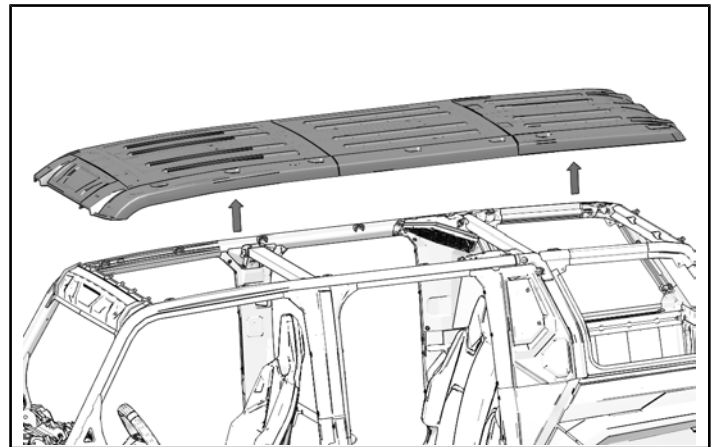
4. Remove and keep two screws from rear underside of roof.

### NOTICE

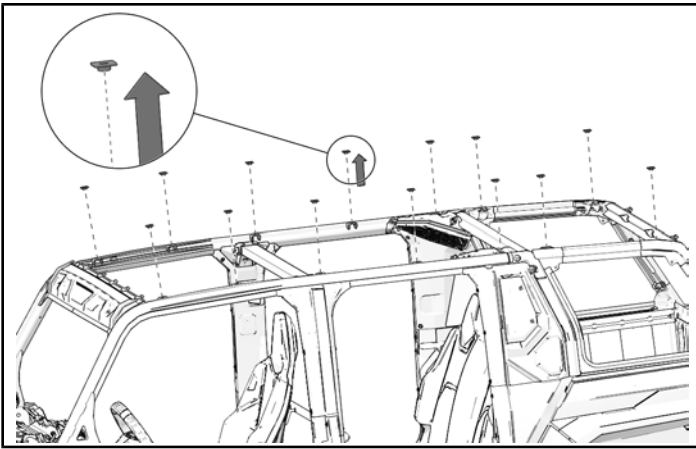
ADV models only. XP models proceed to next step.



5. Remove roof.



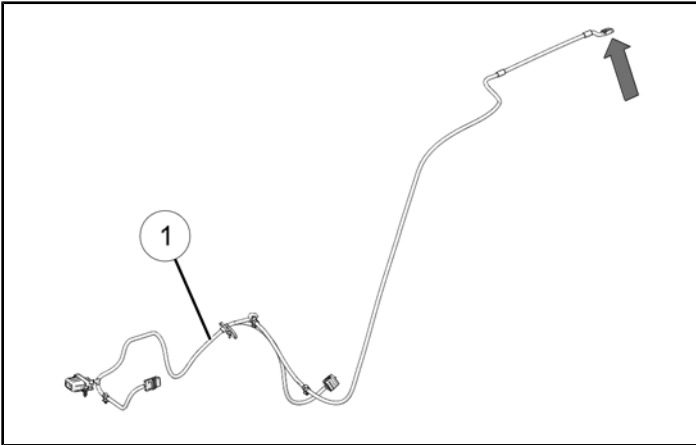
6. Remove and keep roof weld nuts from vehicle.



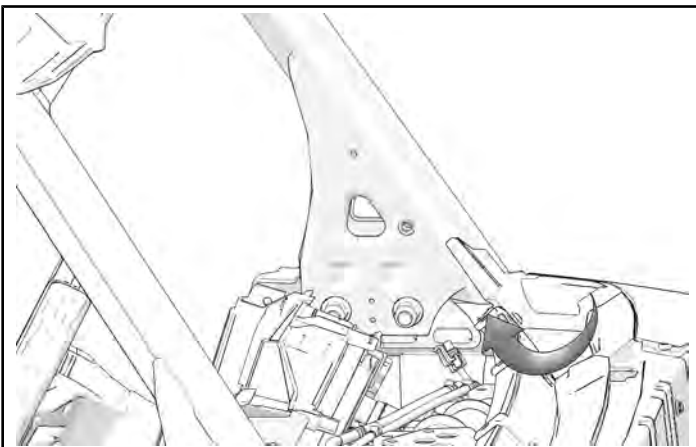
## ACCESSORY INSTALLATION

### CONTROL HARNESS AND SWITCH INSTALLATION

1. Find end of harness ① shown.



2. Find opening in ROPS at base of left A-pillar tube.



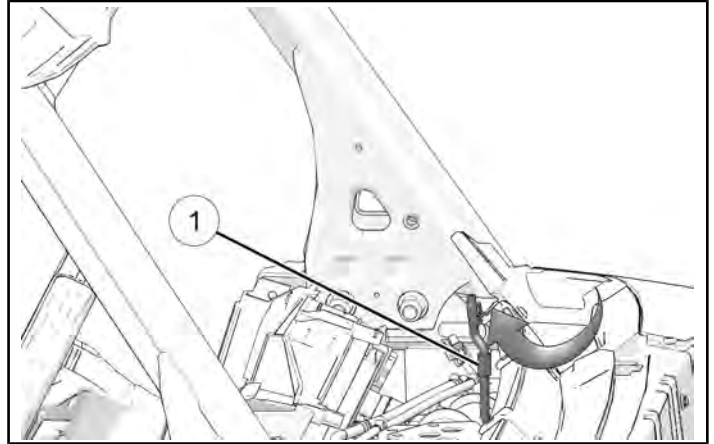
3. Route end of harness ① up into opening in ROPS A-pillar.

#### TIP

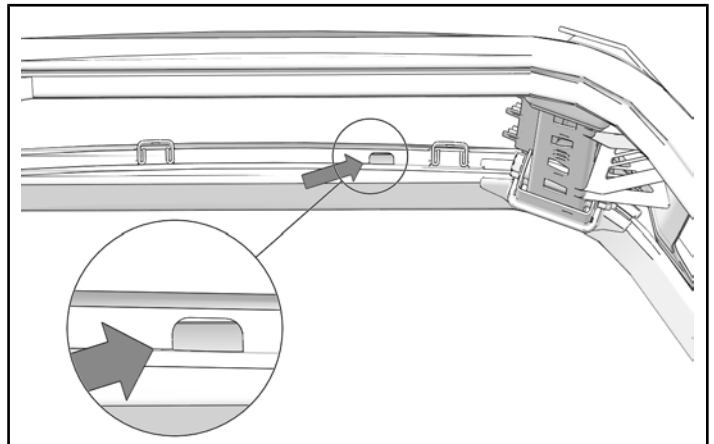
If vehicle is equipped with full poly windshield, remove upper windshield mounting hardware to avoid interference between harness and screw inside A-pillar tube.

#### TIP

Use fish tape or wire to ease installation of harness ①.



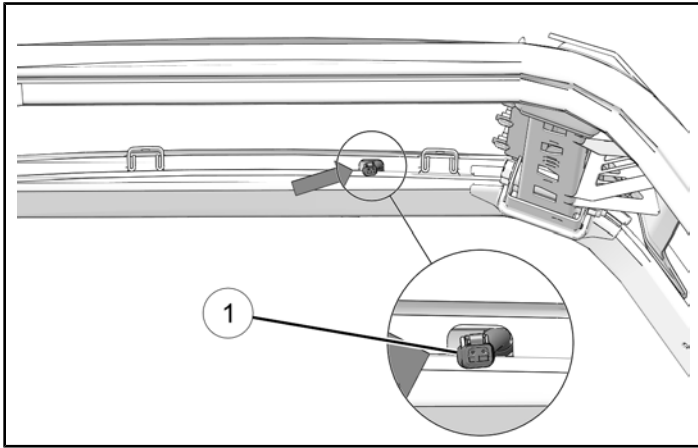
4. Route wiring harness through ROPS A-pillar while watching for end to appear in opening above drivers window area.



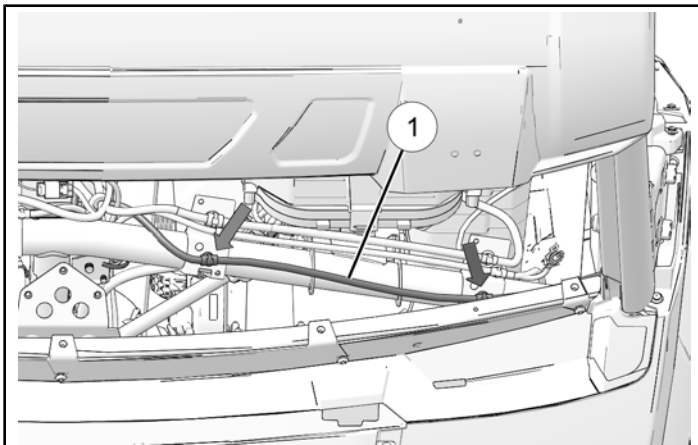
5. Pull end of harness ① through opening in ROPS.

**TIP**

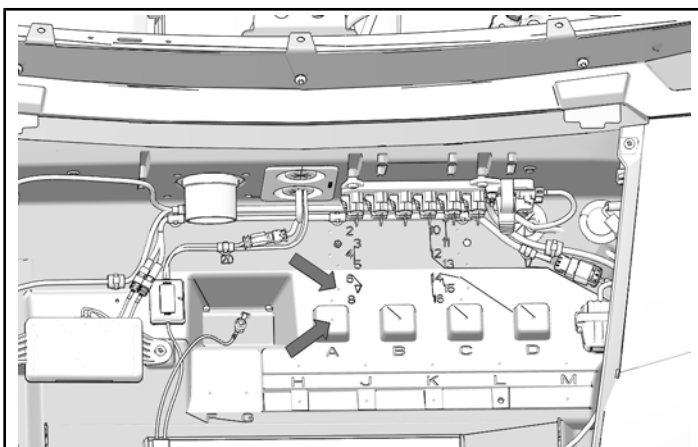
Use a pick or hook tool to help pull end of harness through opening.



6. Attach connectors on lower end of harness ① into mounts on frame.



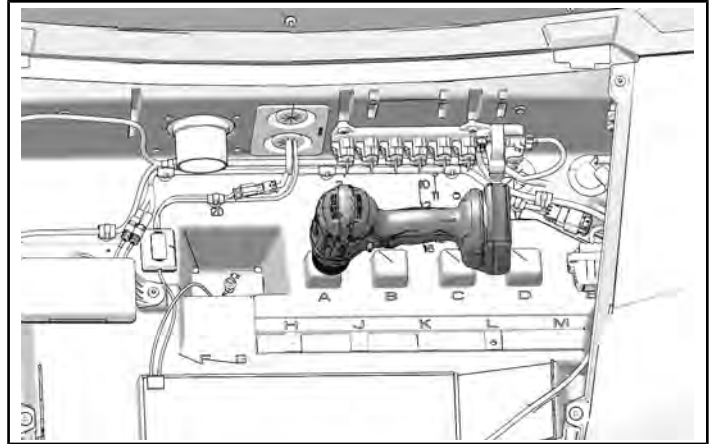
7. Find location **A** and location **7** on underhood panel.



8. Drill hole at location **A**.

**MEASUREMENT**

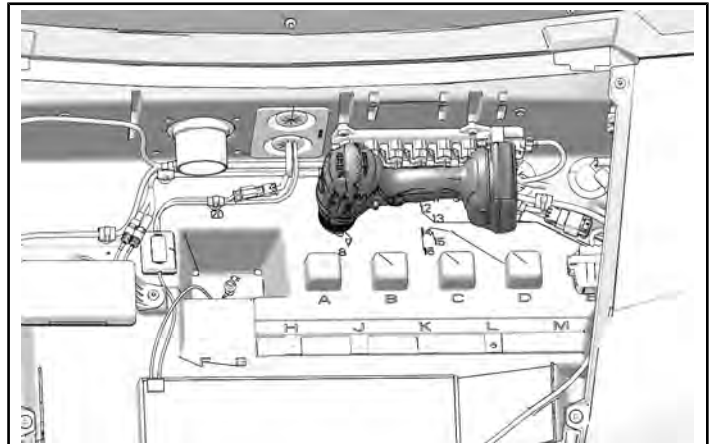
Drill Bit Size: 1/4 in (7 mm)



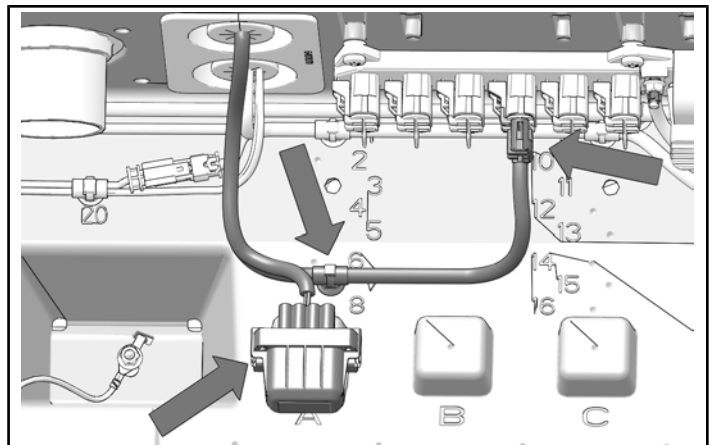
9. Drill hole at location **7**.

**MEASUREMENT**

Drill Bit Size: 3/16 in (5 mm)

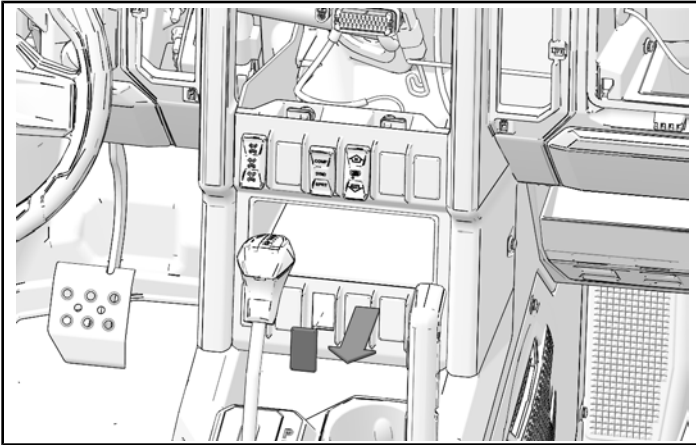


10. Pull end of harness ① containing fuse block and Pulse® connector through top of grommet to hood area. Push harness clip into hole at location **7**. Push fuse block clip into hold at location **A**. Connect harness to Polaris Pulse® bar.

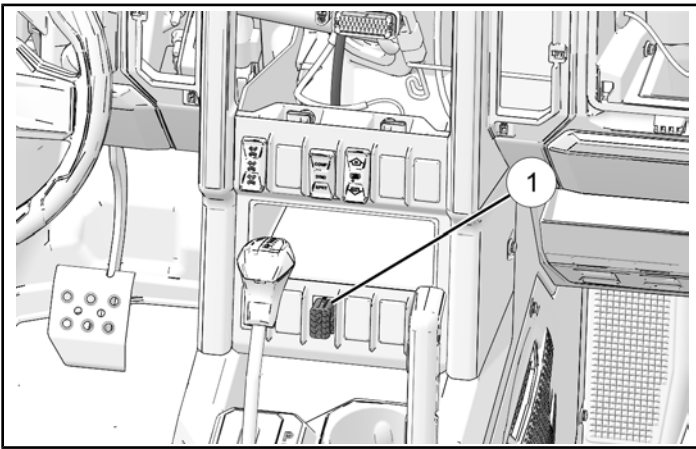




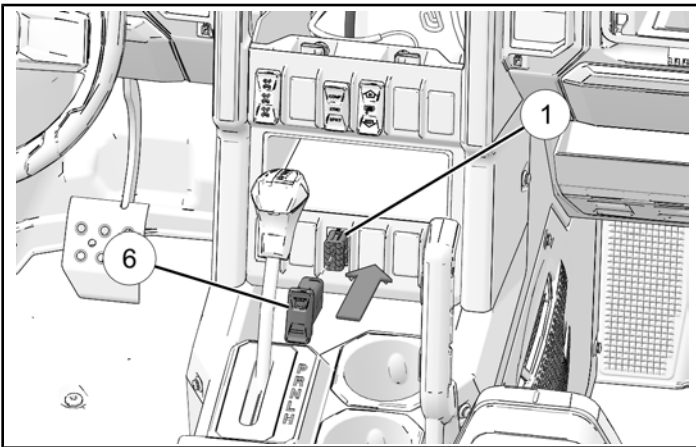
11. Remove switch cover from appropriate opening in dash.



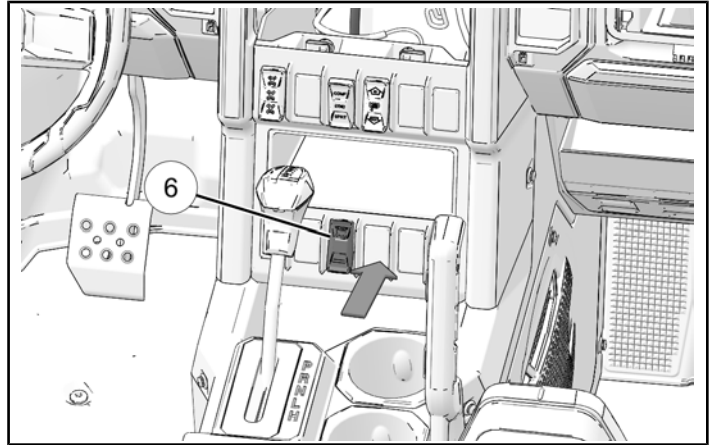
12. Route harness ① behind switch panel. Pull switch connector through opening.



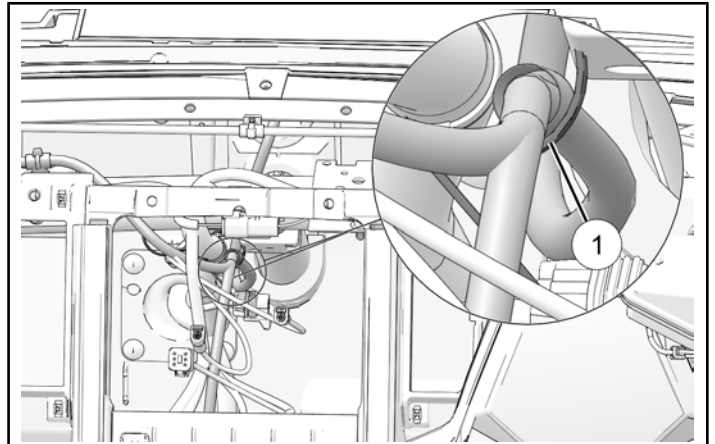
13. Connect switch ⑥ to harness ①.



14. Push switch ⑥ into opening until it seats with a click.



15. Use cable tie on harness ① to attach harness to existing harnesses behind head unit opening, as shown.

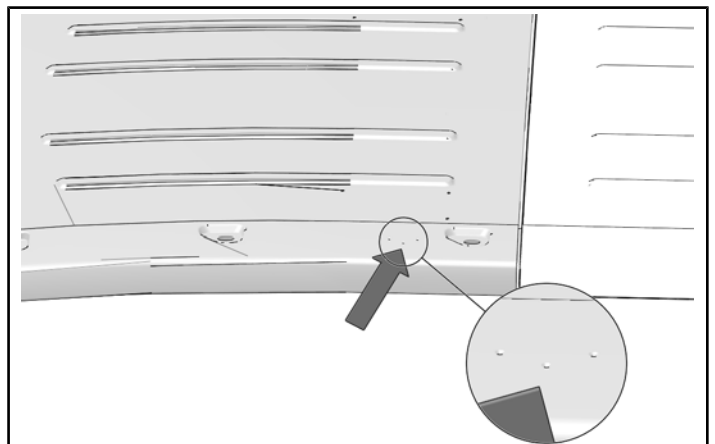


## SIDE LIGHTS INSTALLATION

### NOTICE

Left side shown; right side similar

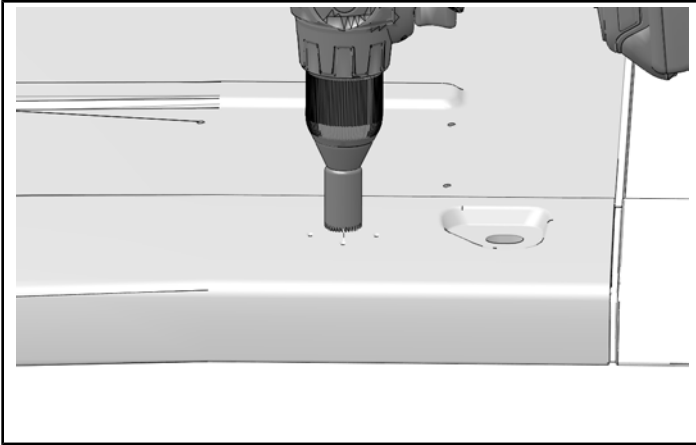
1. Place roof on a suitable work surface.
2. Find three dimples near rear of front roof panel.



3. Use hole saw to drill large hole at center dimple.

#### MEASUREMENT

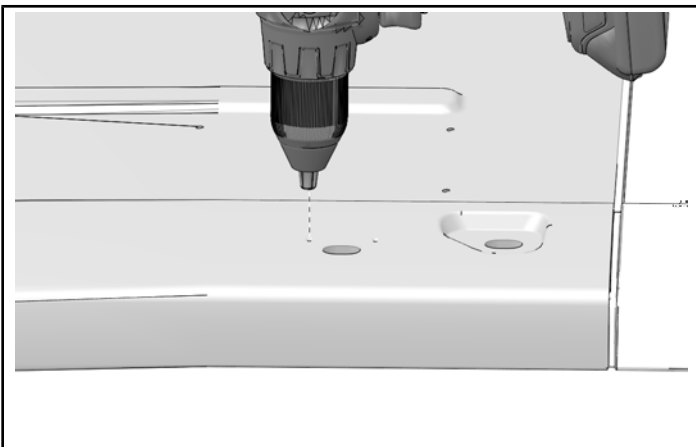
Hole Saw Size:  
3/4 in (19 mm)



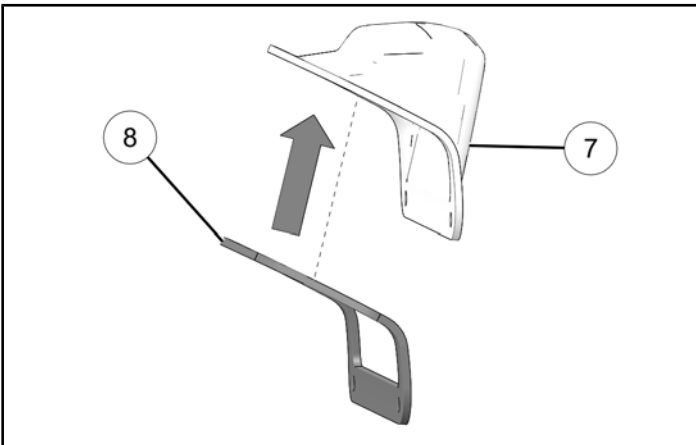
4. Drill holes at other two dimples.

#### MEASUREMENT

Drill Bit Size:  
11/64 in (4.5 mm)



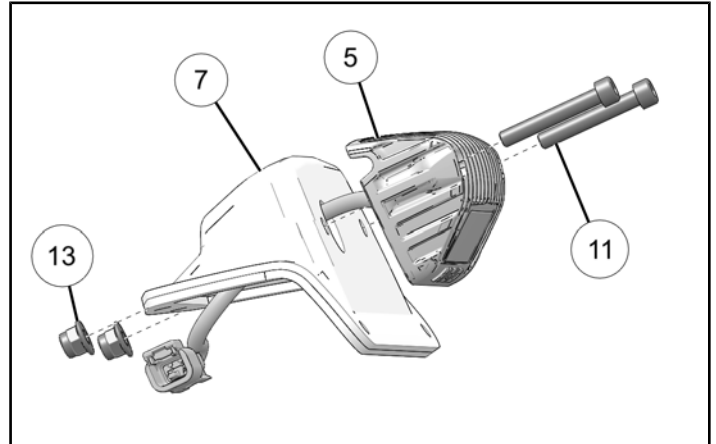
5. Remove backing from gasket (8). Install gasket on bottom side of scene light pod (7).



6. Install scene light (5) on pod (7). Wiring harness from light will pass through large hole on pod. Use two screws (11) and two nuts (13) to attach light to pod. Torque nuts (13) to specification.

#### TORQUE

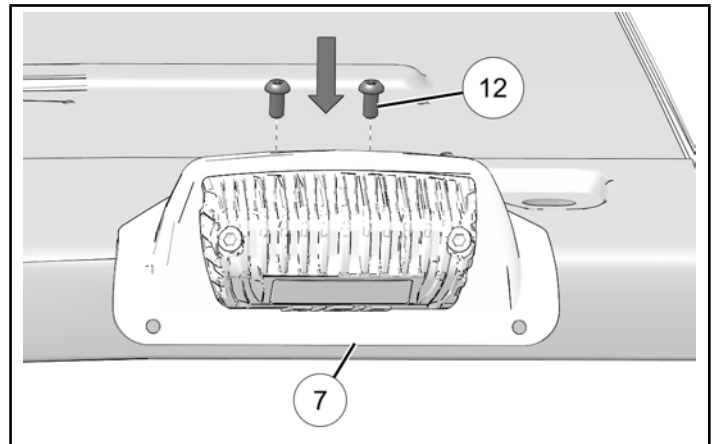
Nuts (13):  
97 in-lbs (11 N·m)



7. Install two screws (12) at top of pod (7). Torque screws to specification.

#### TORQUE

Screws (12):  
27 in-lbs (3 N·m)

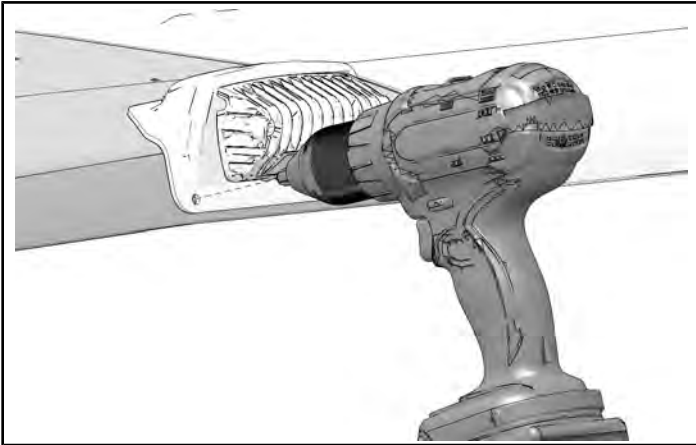


8. Pull down on pod so that pod contacts roof panel over entire bottom surface. Continue pulling down while drilling bottom holes.

9. Use two empty holes in pod as a guide to drill holes for remaining screws.

#### MEASUREMENT

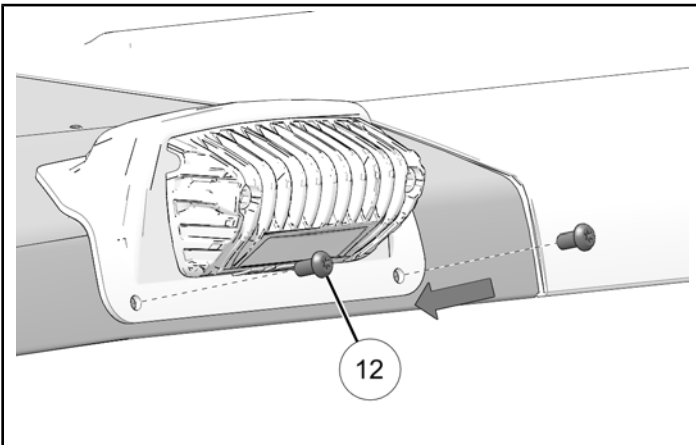
Drill Bit Size:  
11/64 in (4.5 mm)



10. Install two screws ⑫ in bottom holes of pod.  
Torque screws to specification.

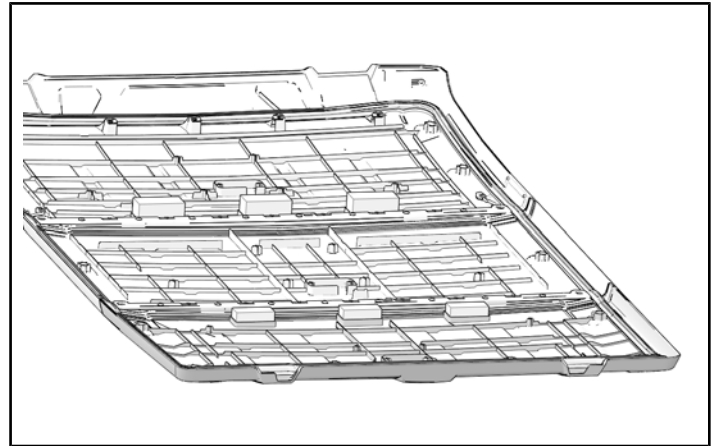
#### TORQUE

Screws ⑫:  
27 in-lbs (3 N·m)

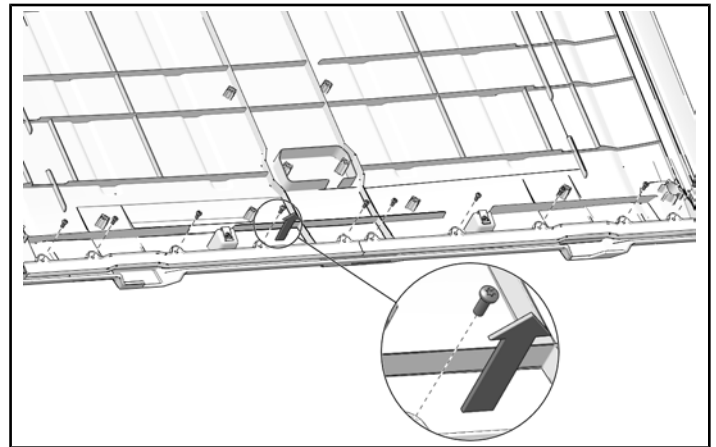


## REAR LIGHT INSTALLATION (ADV MODELS)

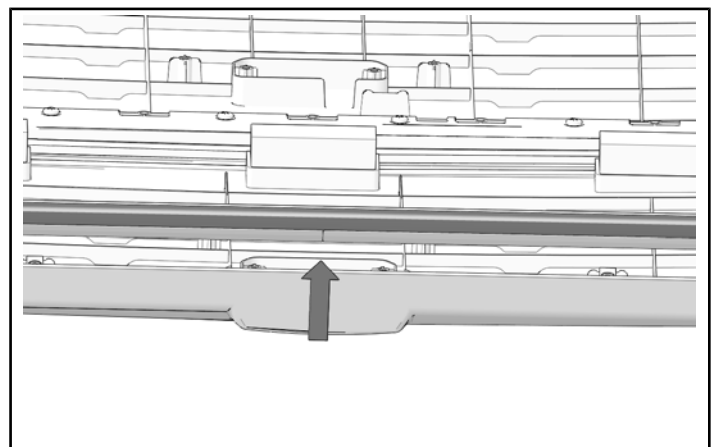
1. Turn over roof so that bottom faces upward.



2. Remove and keep ten screws from seal support panels.

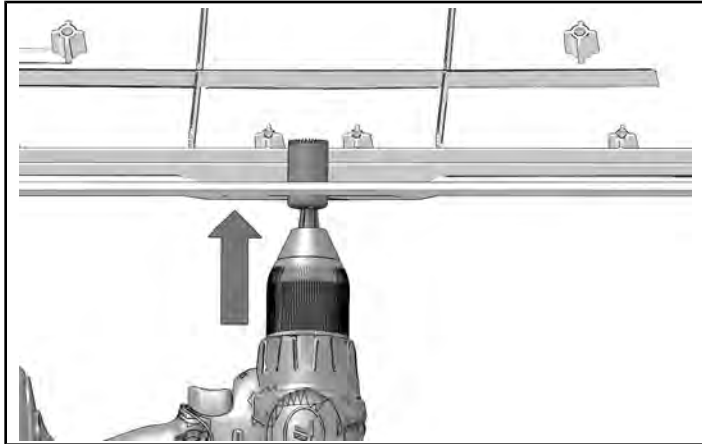


3. Pull up on seal and seal supports at rear of roof.  
Hold up seal to prevent damage during drilling.



- Find three dimples at center rear of roof. Use hole saw to drill large hole at center dimple. Hole saw should be perpendicular to outer light mounting surface. Cut through roof panel and two support ribs.

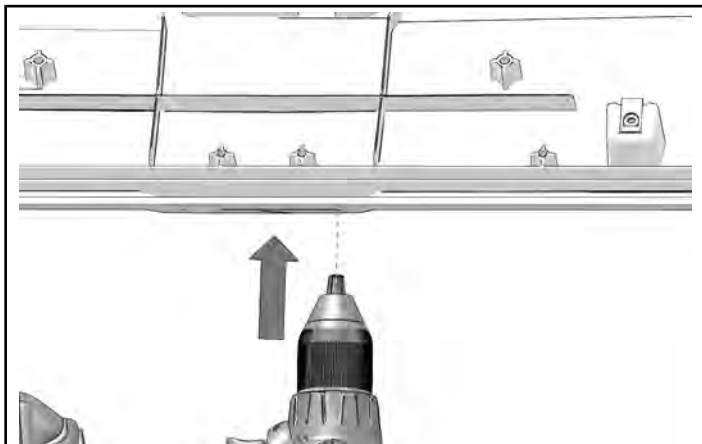
MEASUREMENT
Hole Saw Size: 3/4 in (19 mm)



- Drill holes at screw hole locations. Drill should be perpendicular to outer light mounting surface. Cut through roof panel only.

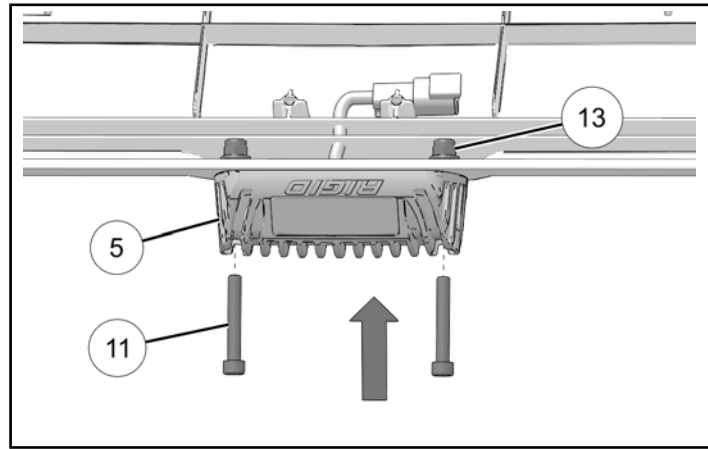
NOTICE
Do not cut through ribs on underside of roof.

MEASUREMENT
Drill Bit Size: 1/4 in (6.5 mm)

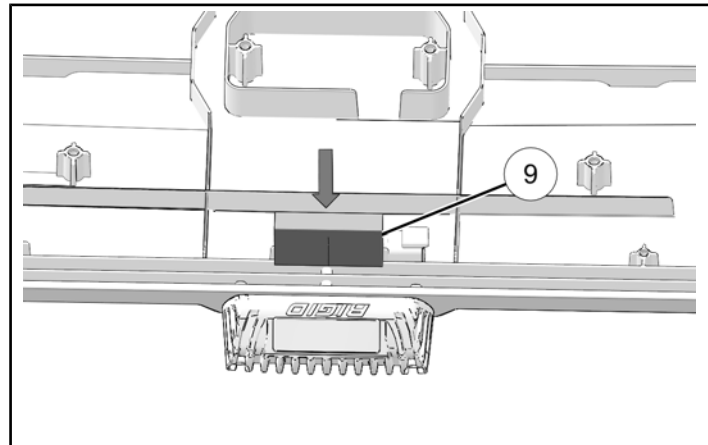


- Install scene light ⑤ on roof. Wiring harness from light will pass through large hole in roof. Use two screws ⑪ and two nuts ⑬ to attach light. Torque nuts ⑬ to specification.

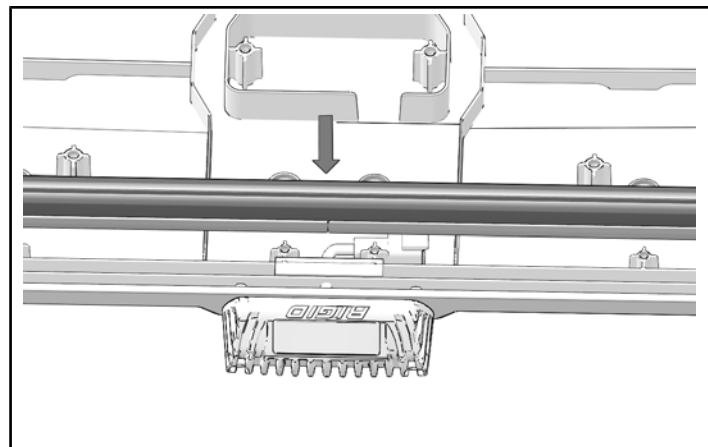
TORQUE
Nuts ⑬: 97 in-lbs (11 N·m)



- Install foam block seal ⑨ between support ribs. Split in foam block will fit around wiring harness from light.



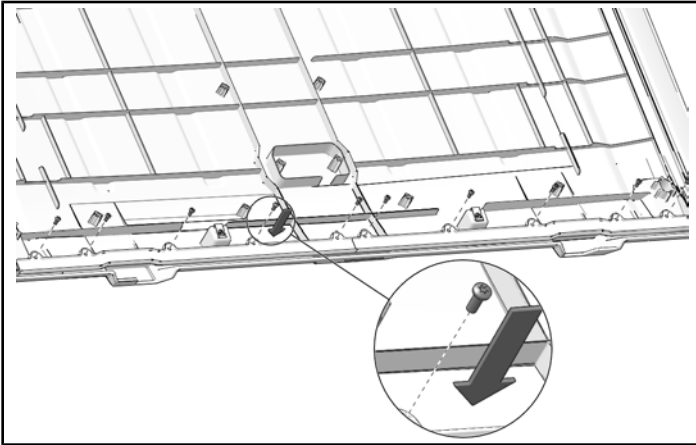
- Install roof seal and supports in correct position.



- Install ten screws to attach seal supports. Torque screws to specification.

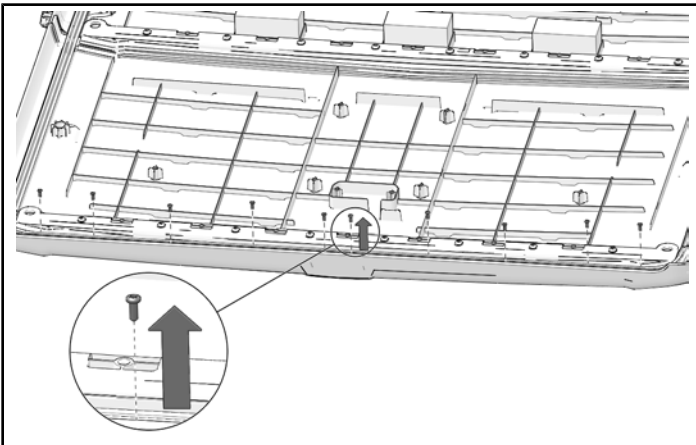
### TORQUE

Seal Support Screws:  
27 in-lbs (3 N·m)

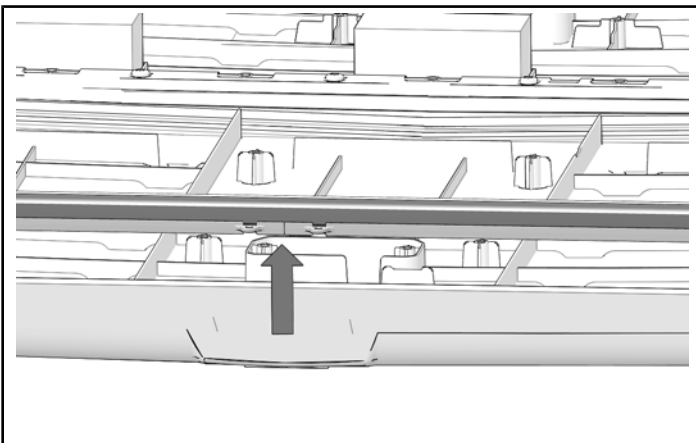


### REAR LIGHT INSTALLATION (XP MODELS)

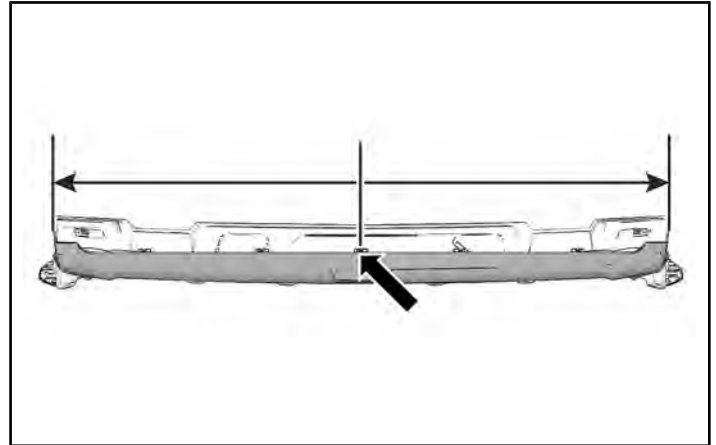
- Turn over roof so that bottom faces upward.
- Remove and keep ten screws from seal support panels.



- Pull up on seal and seal supports at rear of roof. Hold up seal to prevent damage during drilling.



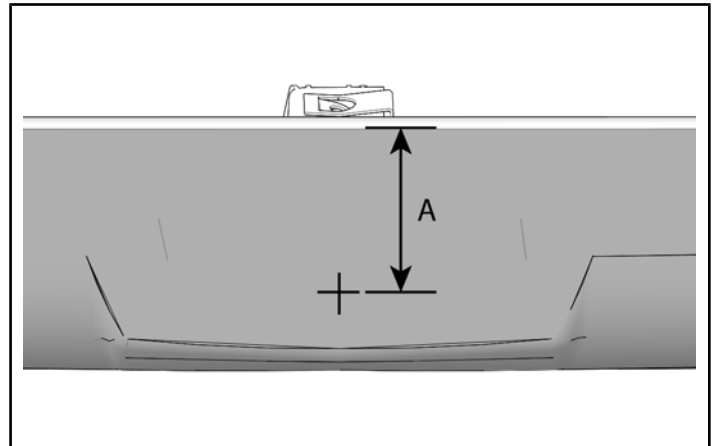
- Measure width of rear roof cap. Mark center of cap.



- Measure from bottom edge of roof at center point to determine center drill location. Mark this location.

### MEASUREMENT

Dimension (A):  
1.77 in (45 mm)





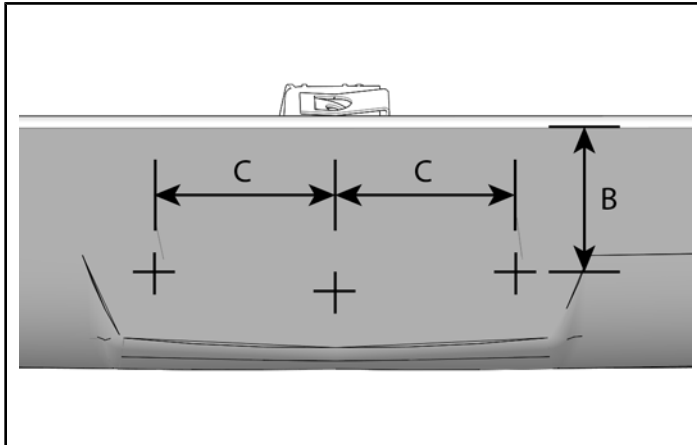
6. Measure on either side of center point and from bottom edge to find screw hole locations. Mark these locations.

**MEASUREMENT**

Dimension Ⓑ:  
1.57 in (40 mm)

**MEASUREMENT**

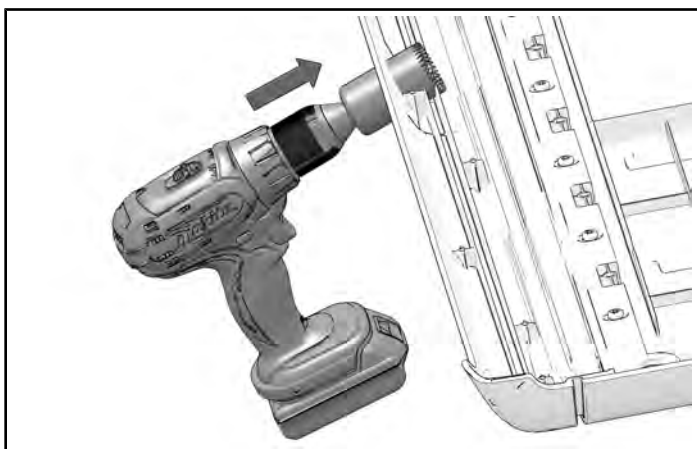
Dimension Ⓒ:  
1.92 in (48.8 mm)



7. Use hole saw to drill large hole at center location. Hole saw should be perpendicular to outer light mounting surface. Cut through roof panel and two support ribs.

**MEASUREMENT**

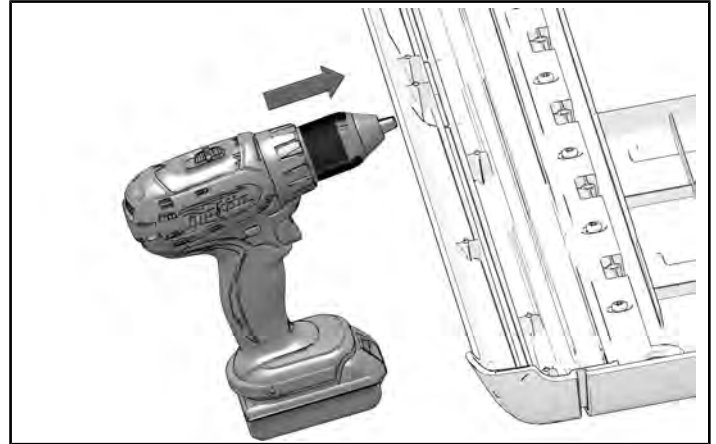
Hole Saw Size:  
3/4 in (19 mm)



8. Drill holes at screw hole locations. Drill should be perpendicular to outer light mounting surface. Cut through roof panel only.

**MEASUREMENT**

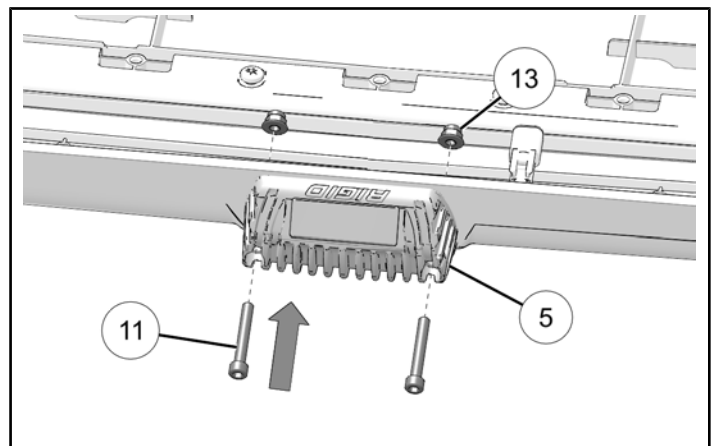
Drill Bit Size:  
1/4 in (6.5 mm)



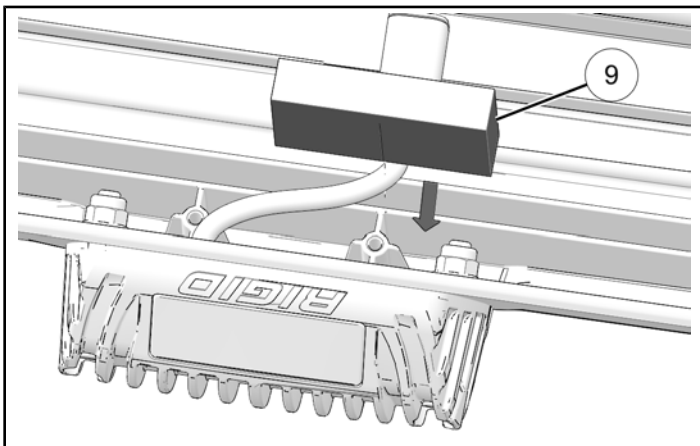
9. Install scene light ⑤ on roof. Wiring harness from light will pass through large hole in roof. Use two screws ⑪ and two nuts ⑬ to attach light. Torque nuts ⑬ to specification.

**TORQUE**

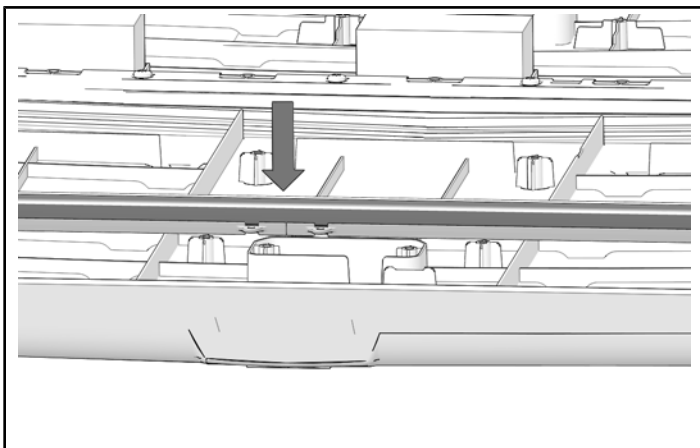
Nuts ⑬:  
**97 in-lbs (11 N·m)**



10. Install foam block seal ⑨ between support ribs. Split in foam block will fit around wiring harness from light.



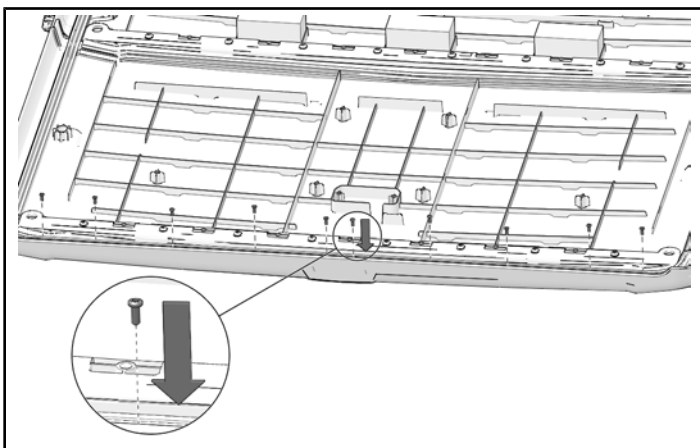
11. Install roof seal and supports in correct position.



12. Install ten screws to attach seal supports. Torque screws to specification.

**TORQUE**

Seal Support Screws:  
**27 in-lbs (3 N·m)**



**ROOF INSTALLATION**

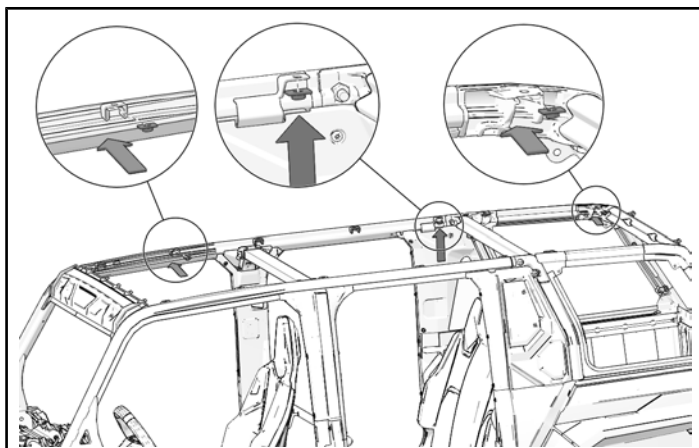
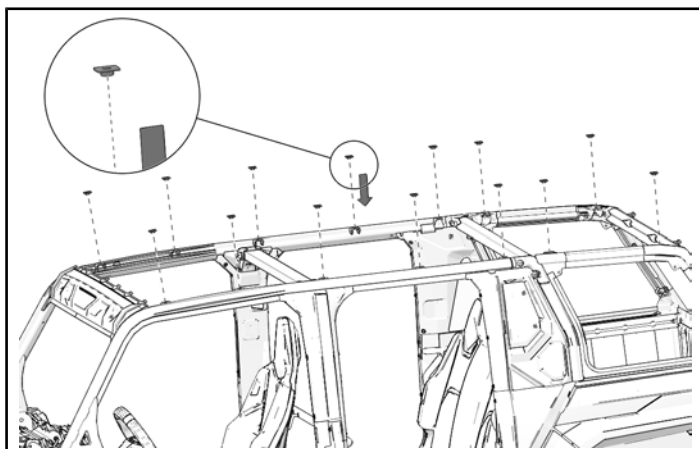
**NOTICE**

Multi-passenger ADV model shown; other models similar

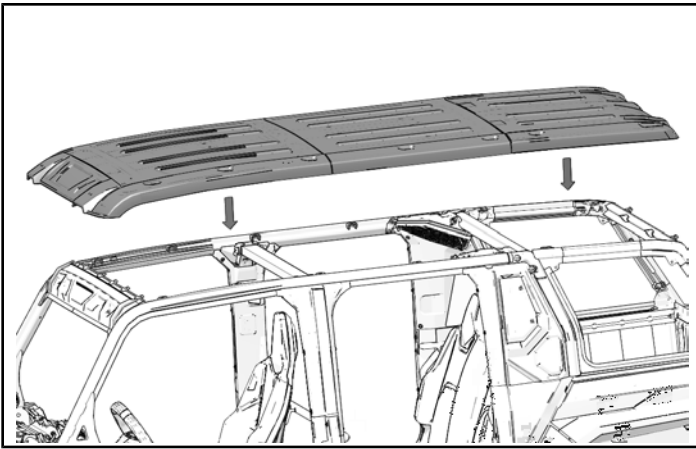
1. Install weld nuts into brackets. Weld nuts will slide into and be held by brackets,

**NOTICE**

One weld nut on each side is not held by a bracket, and will have to be held with a wrench when tightening roof bolts. These weld nuts are above the seat backs on 2-passenger models, and above the rear seat backs on multi-passenger models.



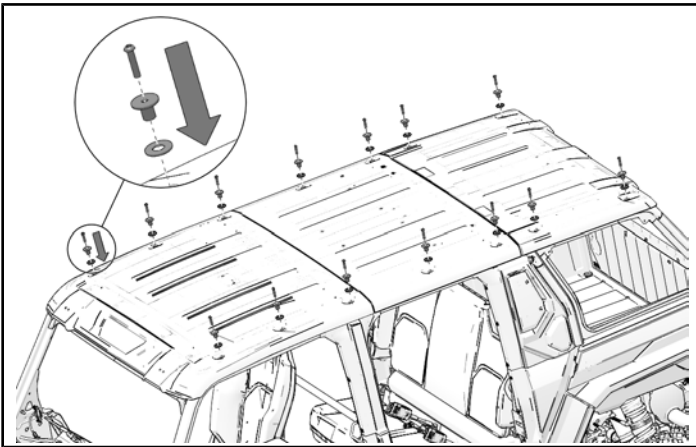
2. Set roof on top of vehicle.



3. Install kept screws, spacers, and washers to attach roof. Torque screws to specification.

**TORQUE**

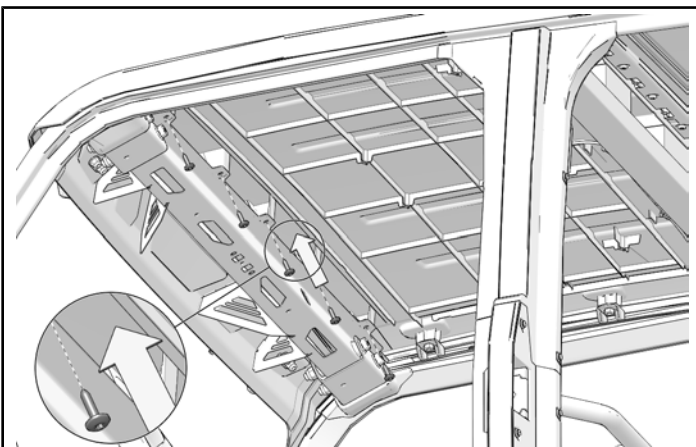
Roof Screws:  
**18 ft-lbs (25 N·m)**



4. Install five kept screws at front of roof. Torque screws to specification.

**TORQUE**

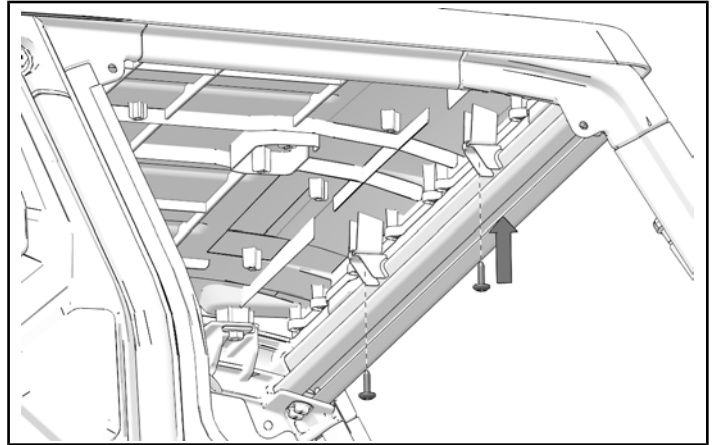
Rear Roof Screws:  
**42 in-lbs (4.7 N·m)**



5. ADV models only. Install two kept screws at rear of roof. Torque screws to specification.

**TORQUE**

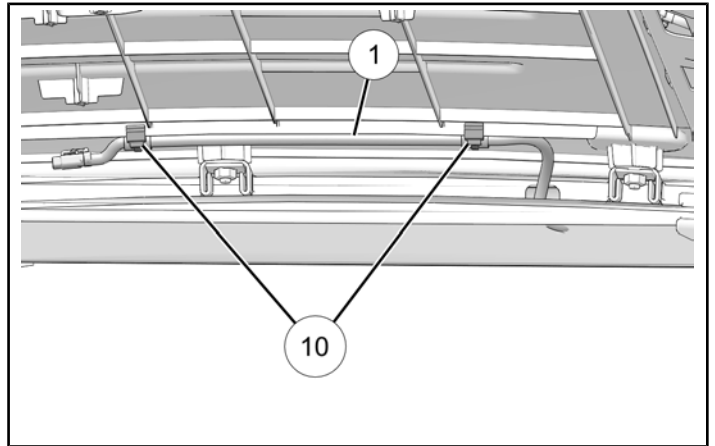
Rear Roof Screws:  
**42 in-lbs (4.7 N·m)**



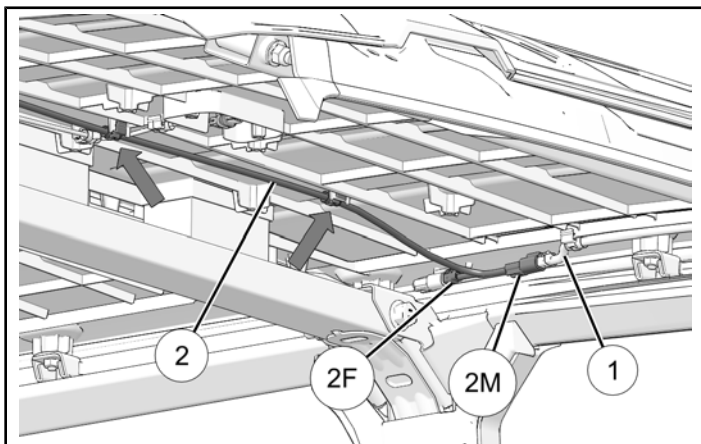
6. Install any wiring harnesses that were removed before roof removal.

**HARNESS INSTALLATION (2-PASSENGER XP MODELS)**

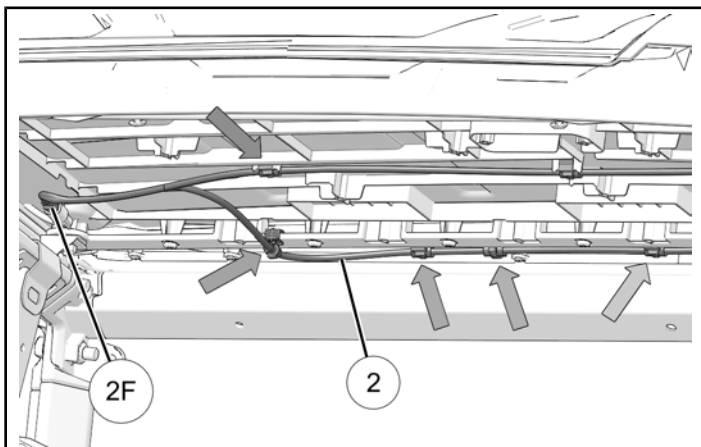
1. Install two edge clips ⑩ on control harness ①. Attach clips to roof panel as shown.



- Attach connector **2M** of scene light harness ② to harness ①. Attach connector **2F** to left scene light. Route harness toward right side of vehicle. Attach harness to roof at two points as shown.



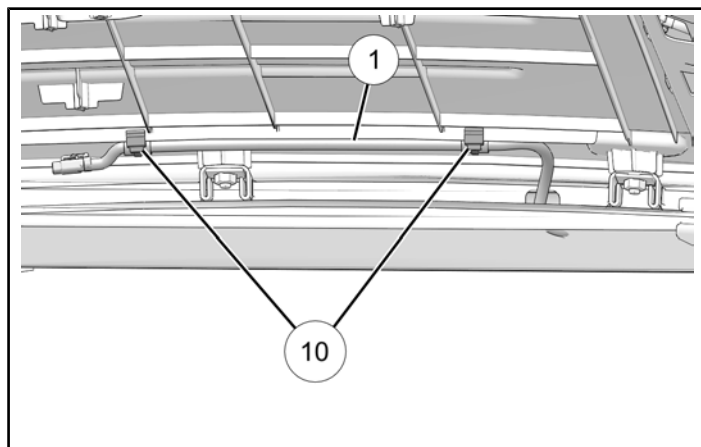
- Continue routing harness ② across roof. Attach harness to roof as shown. Attach connector **2F** to right scene light.



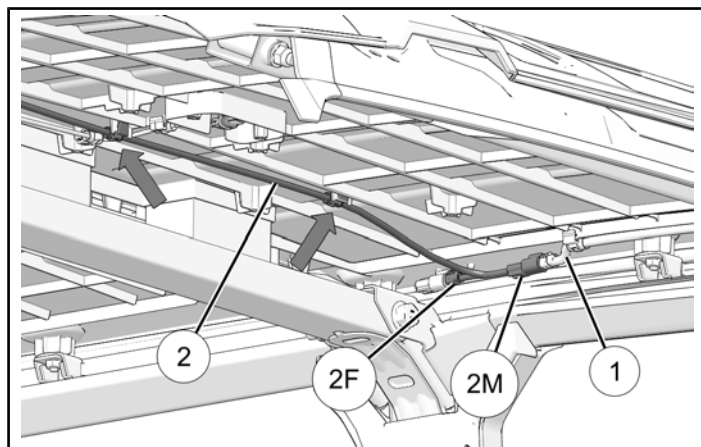
- Route remaining leg of harness along rear of roof panel. Attach harness leg to roof panel and rear cap at four points as shown.
- Connect remaining harness connector to rear scene light.

## HARNESS INSTALLATION (2-PASSENGER ADV MODELS)

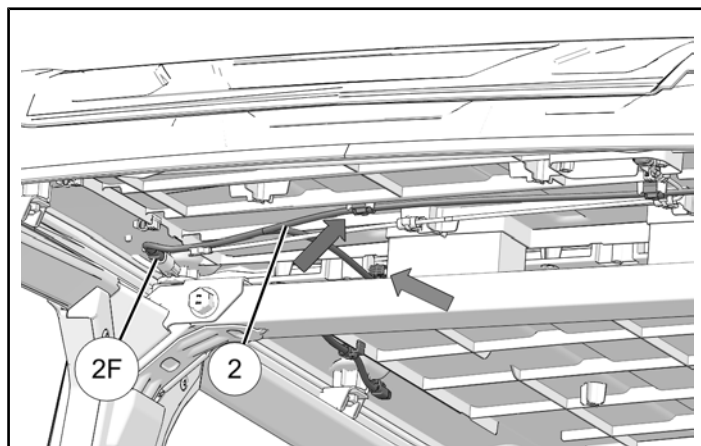
- Install two edge clips ⑩ on control harness ①. Attach clips to roof panel as shown.



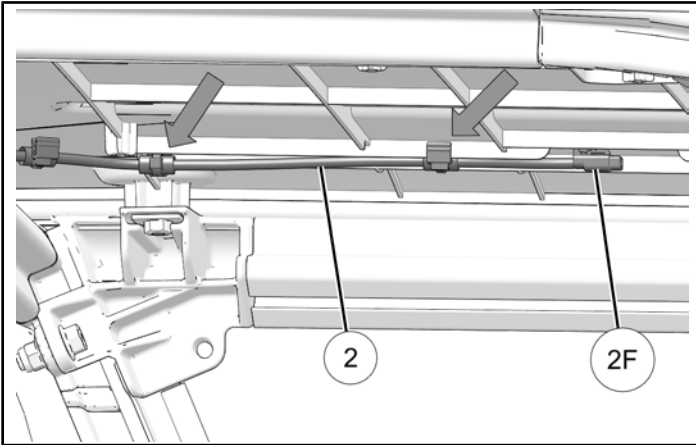
- Attach connector **2M** of scene light harness ② to harness ①. Attach connector **2F** to left scene light. Route harness toward right side of vehicle. Clip harness to roof at two points as shown.



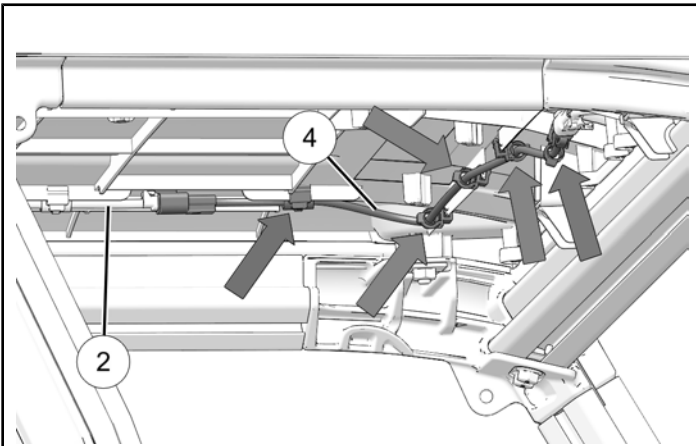
- Continue routing harness ② across roof. Attach harness to roof as shown. Attach connector **2F** to right scene light. Route remaining leg of harness over ROPS. Attach edge clip to roof as shown.



- Continue routing harness ② along rear roof panel. Attach harness ② at two points as shown.



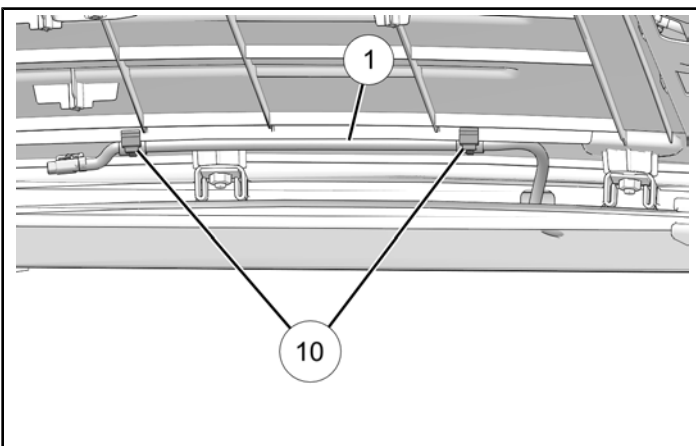
- Attach harness ④ to harness ②. Route harness ④ across back of roof panel. Attach harness to roof at five locations as shown.



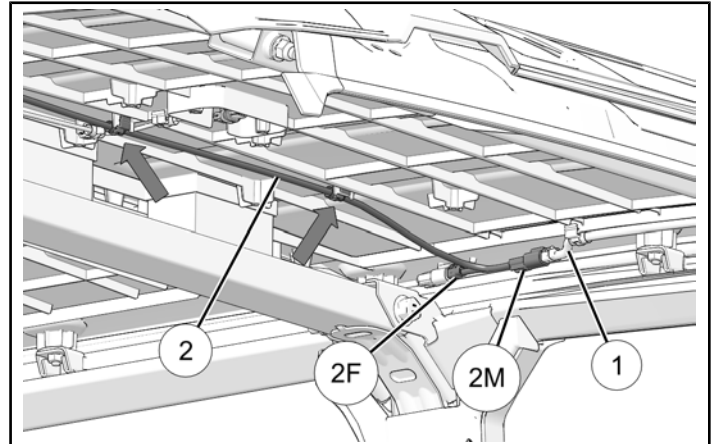
- Attach remaining connector on harness ④ to rear scene light.

### **HARNES INSTALLATION (MULTI-PASSENGER XP MODELS)**

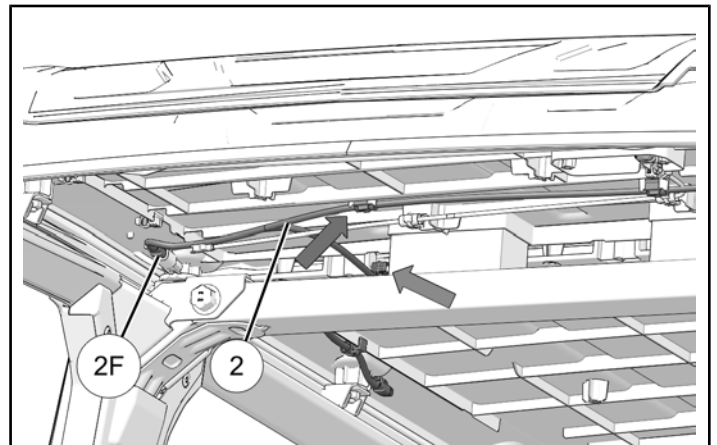
- Install two edge clips ⑩ on control harness ①. Attach clips to roof panel as shown.



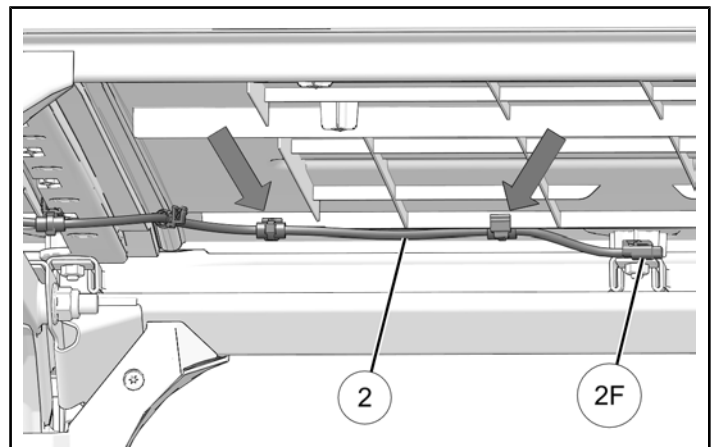
- Attach connector 2M of scene light harness ② to harness ①. Attach connector 2F to left scene light. Route harness toward right side of vehicle. Clip harness to roof at two points as shown.



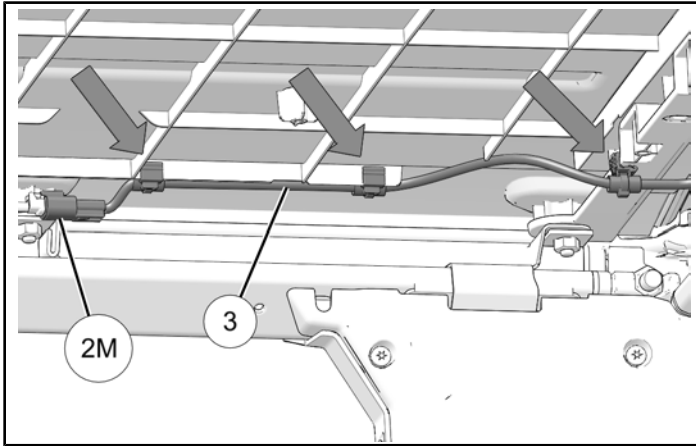
- Continue routing harness ② across roof. Attach harness to roof as shown. Attach connector 2F to right scene light. Route remaining leg of harness over ROPS. Attach edge clip to roof as shown.



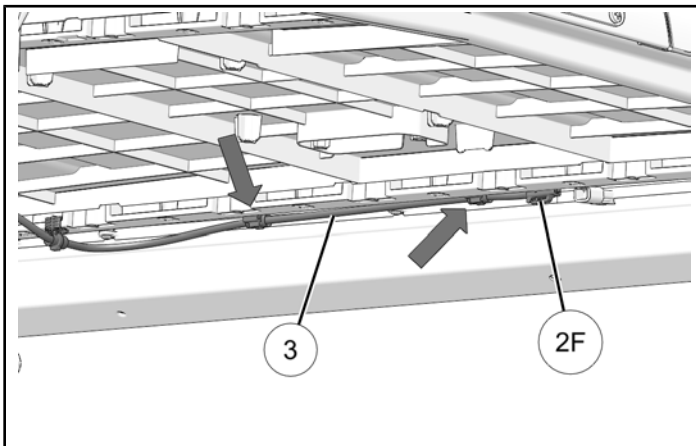
- Continue routing harness ② along rear roof panel. Attach harness ② at two points as shown.



- Attach connector **2M** of extension harness **③**. Route harness **③** toward rear of vehicle. Attach harness to roof at three points as shown.



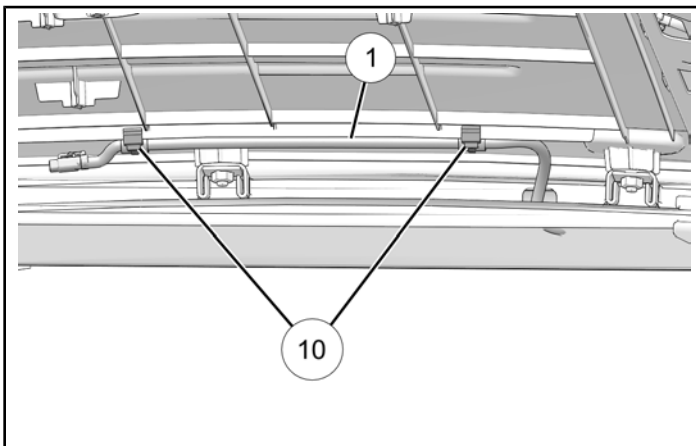
- Route harness **③** across roof. Attach harness to rear cap at two points as shown.



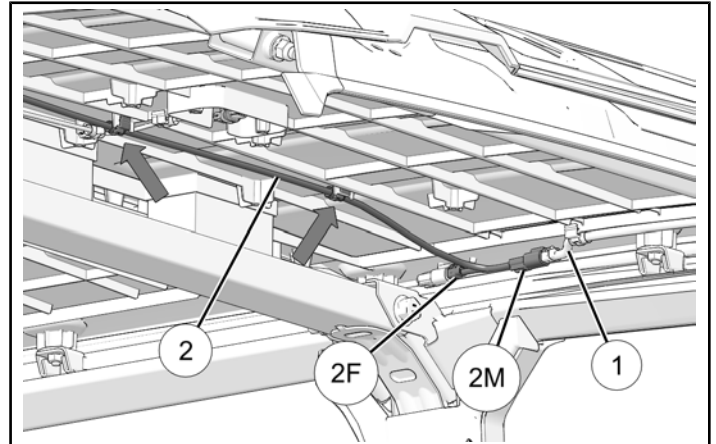
- Attach remaining connector from harness **③** to rear scene light.

### **HARNES INSTALLATION (MULTI-PASSENGER ADV MODELS)**

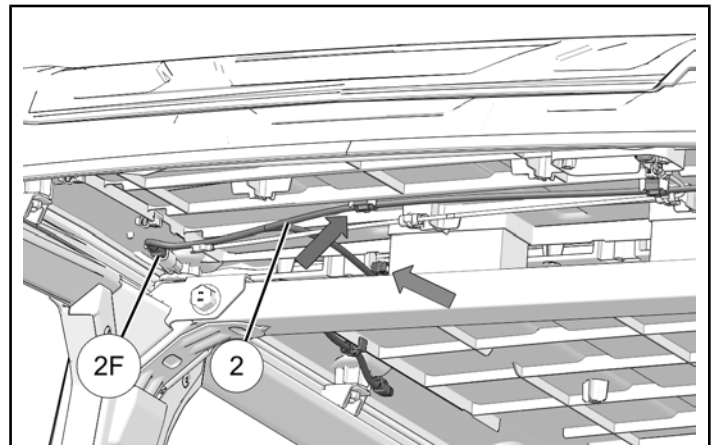
- Install two edge clips **⑩** on control harness **①**. Attach clips to roof panel as shown.



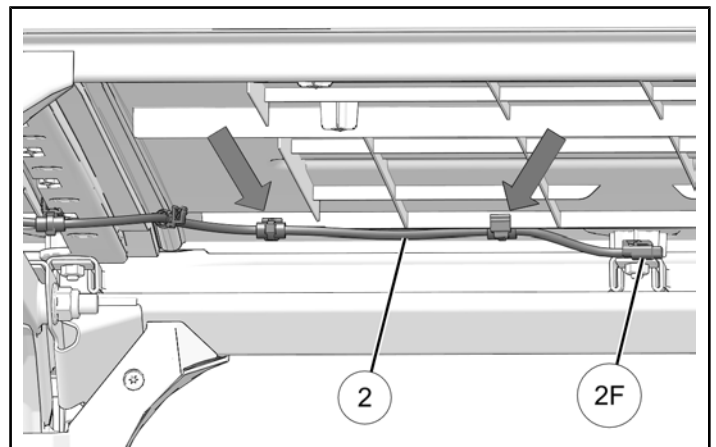
- Attach connector **2M** of scene light harness **②** to harness **①**. Attach connector **2F** to left scene light. Route harness toward right side of vehicle. Attach harness clips to roof at two points as shown.



- Continue routing harness **②** across roof. Attach harness to roof as shown. Attach connector **2F** to right scene light. Route remaining leg of harness over ROPS. Attach edge clip to roof as shown.

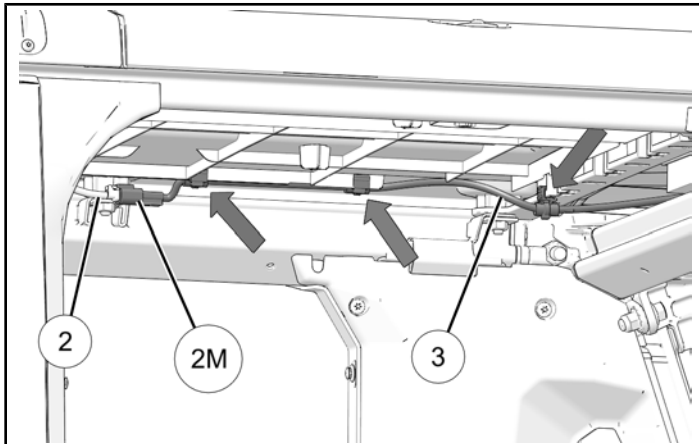


- Continue routing harness **②** along rear roof panel. Attach harness **②** at two points as shown.

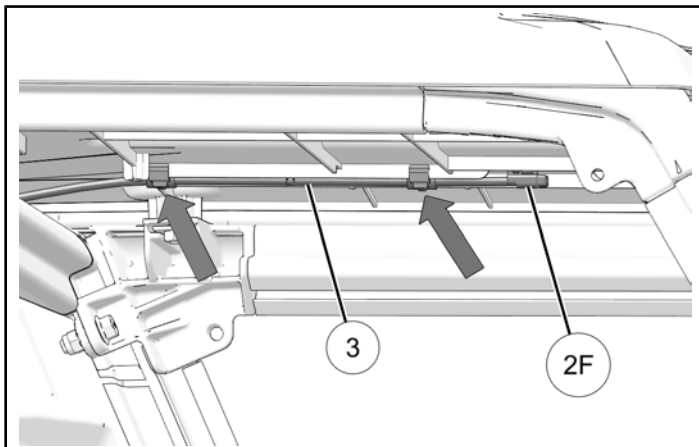




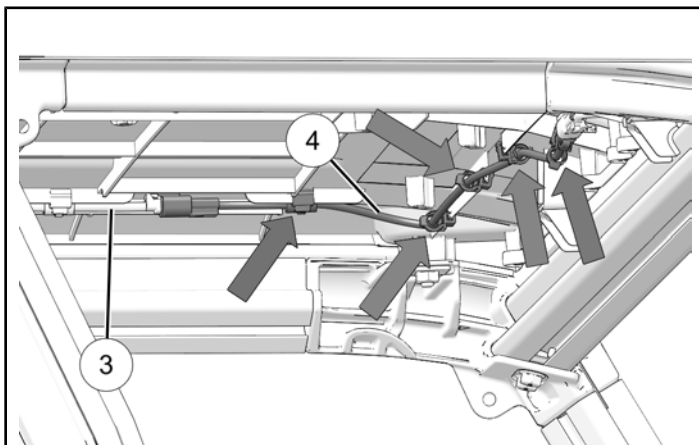
- Attach connector **2M** of harness **3** to harness **2**. Route harness **3** toward rear of vehicle, passing over ROPS. Attach harness to roof at three points as shown.



- Continue routing harness **3** into rear compartment. Attach harness to roof at two points as shown.



- Attach harness **4** to harness **3**. Route harness **4** across back of roof panel. Attach harness to roof at five locations as shown.

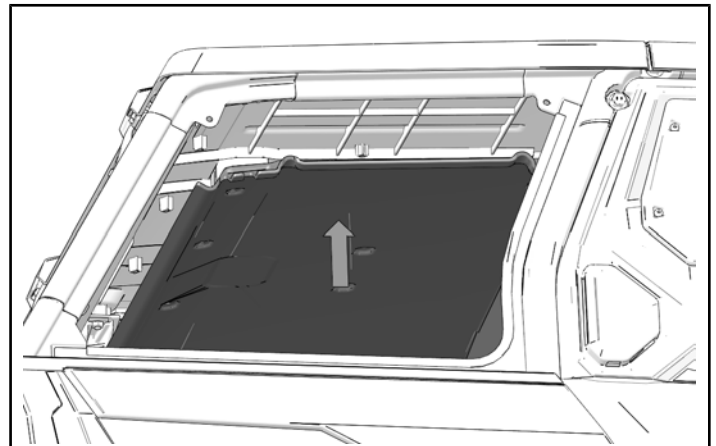


- Attach remaining connector on harness **4** to rear scene light.

## VEHICLE REASSEMBLY

### REAR ROOF LINER INSTALLATION

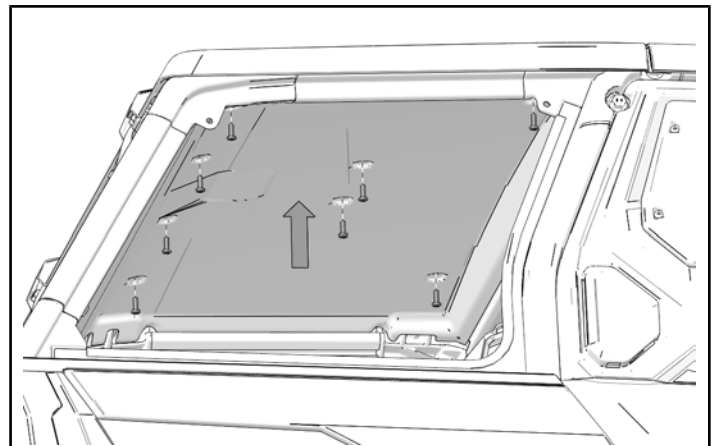
- Install rear roof liner.



- Install eight screws in roof liner. Torque screws to specification.

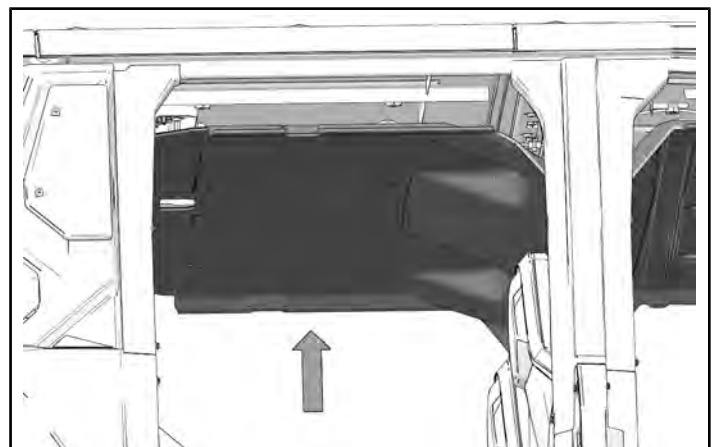
#### TORQUE

Roof Liner Screws:  
27 in-lbs (3 N·m)



### MID ROOF LINER INSTALLATION

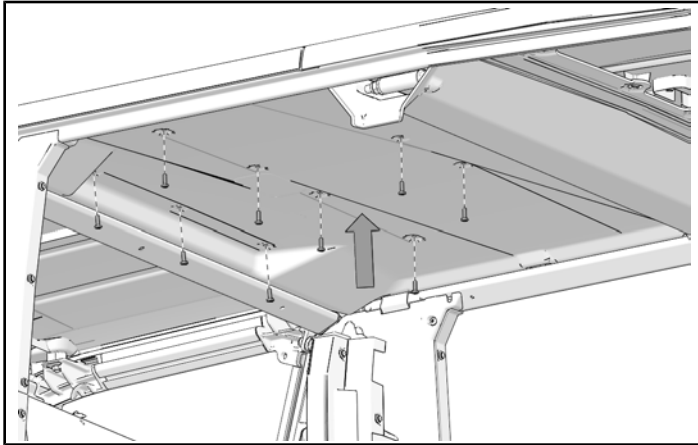
- Install mid roof liner.



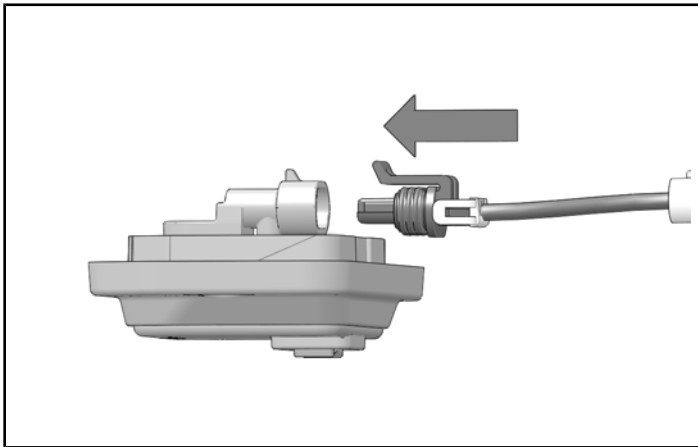
2. Install nine screws in top of roof liner. Torque screws to specification.

**TORQUE**

Roof Liner Screws:  
**27 in-lbs (3 N·m)**



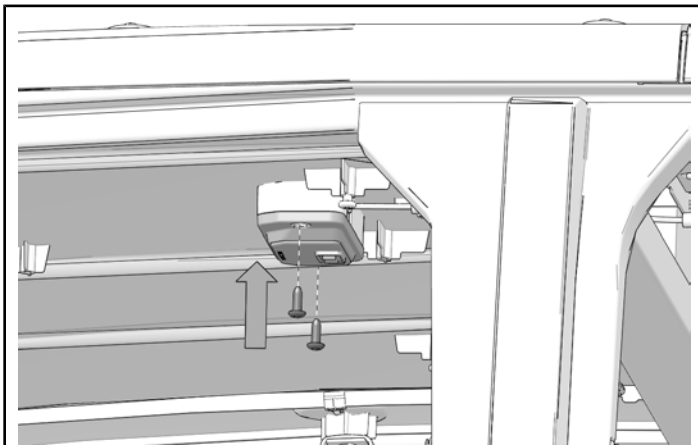
3. Connect wiring harness to dome light.



4. Install dome light with two screws. Torque screws to specification.

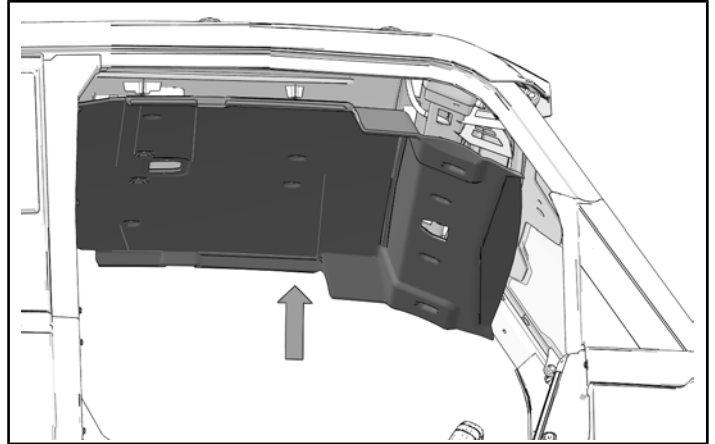
**TORQUE**

Dome Light Screws:  
**22 in-lbs (2.5 N·m)**



## FRONT ROOF LINER INSTALLATION

1. Install front roof liner.



2. Install six screws in top of roof liner and four screws in front of roof liner. Torque screws to specification.

**NOTICE**

Vehicles that are not equipped with rearview mirror will have a fifth screw at front of roof liner.

**NOTICE**

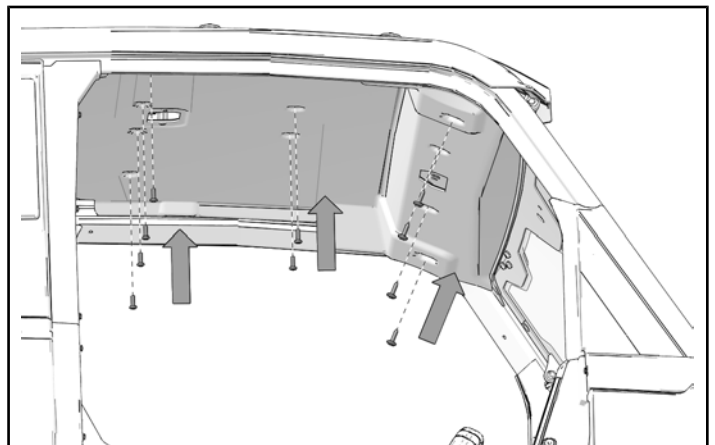
Vehicles equipped with 2-passenger cab will have three additional screws near rear of roof liner.

**TORQUE**

Top Roof Liner Screws:  
**27 in-lbs (3 N·m)**

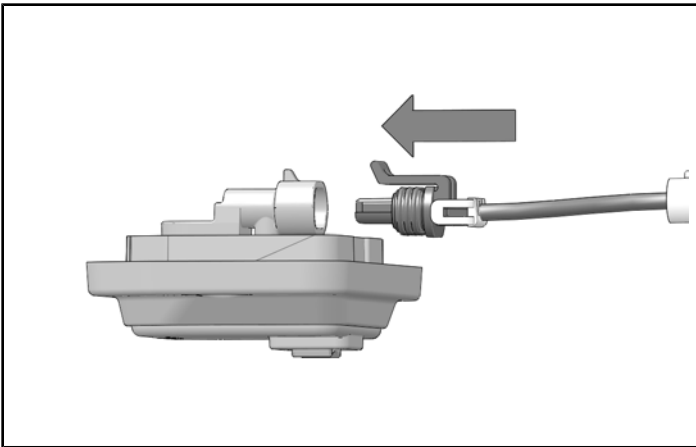
**TORQUE**

Front Roof Liner Screws:  
**44 in-lbs (5 N·m)**





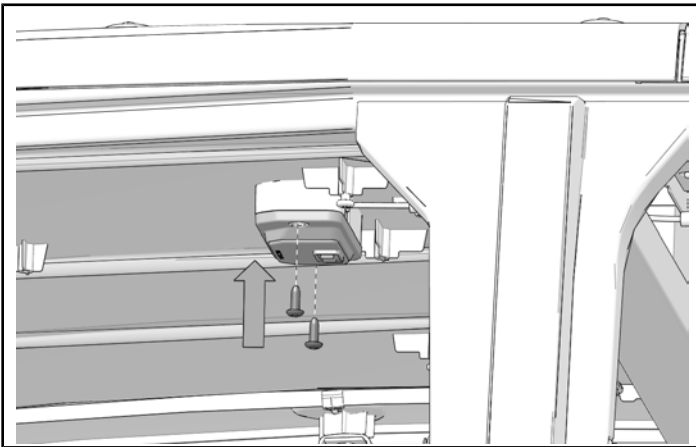
3. Connect wiring harness to dome light.



4. Install dome light with two screws. Torque screws to specification.

**TORQUE**

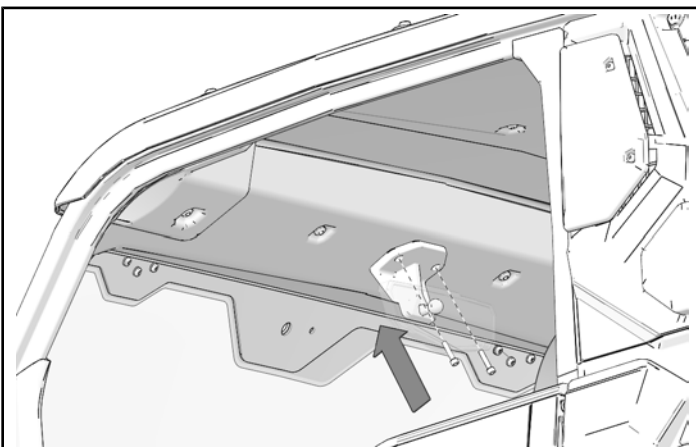
Dome Light Screws:  
**22 in-lbs (2.5 N·m)**



5. Install rearview mirror assembly with two screws. Torque screws to specification.

**TORQUE**

Mirror Screws:  
**31 in-lbs (3.5 N·m)**



## REAR SPEAKER INSTALLATION

1. Install speaker using the kept screws. Torque screws to specification.

**TORQUE**

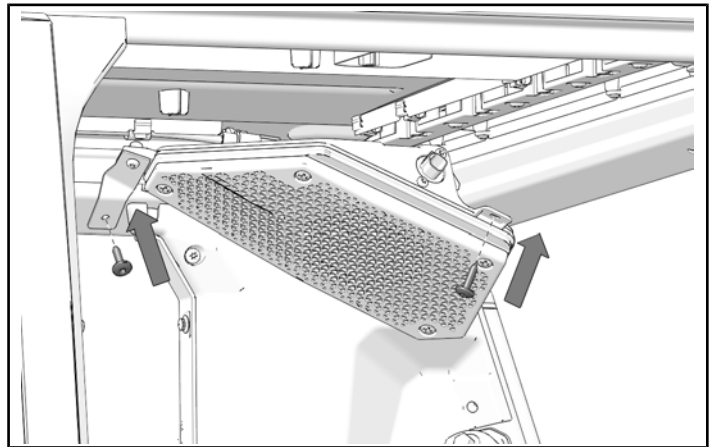
Speaker Mounting Screws:  
**44 in-lbs (5 N·m)**

**NOTICE**

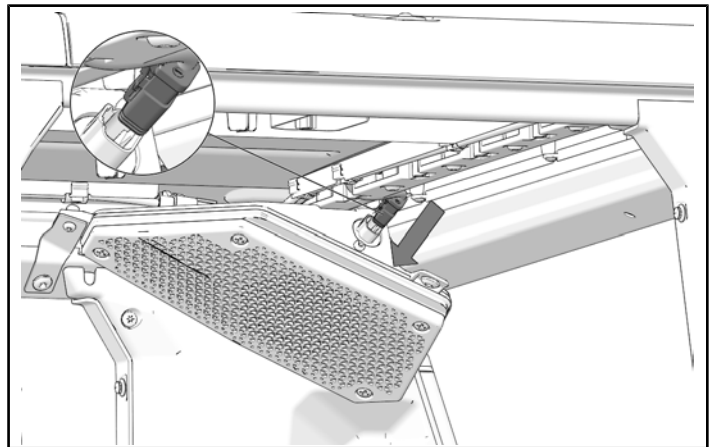
Right side shown; left side similar.

**TIP**

Top of speaker has a shape that engages a space in ROPS. Make sure speaker is fully seated in this space before installing screws.

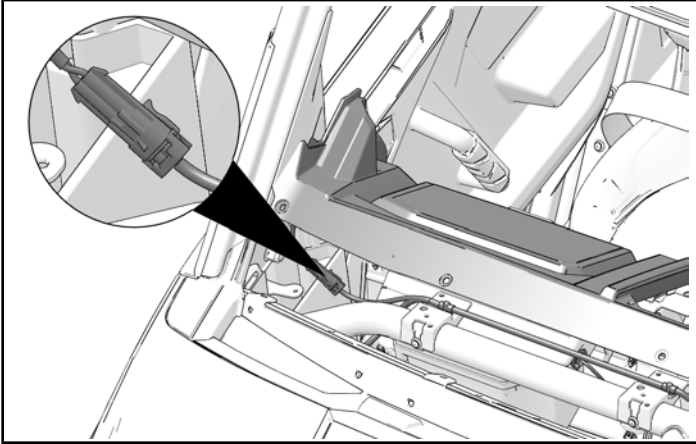


2. Connect the wiring harness to the speaker.



## INSTALL DASH COVER

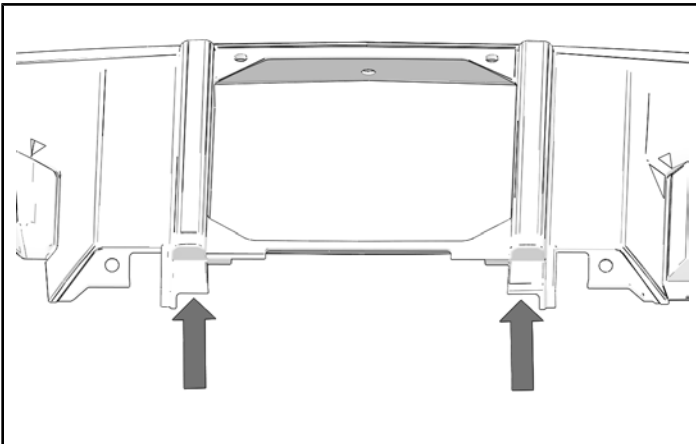
1. Connect speaker wires if necessary.



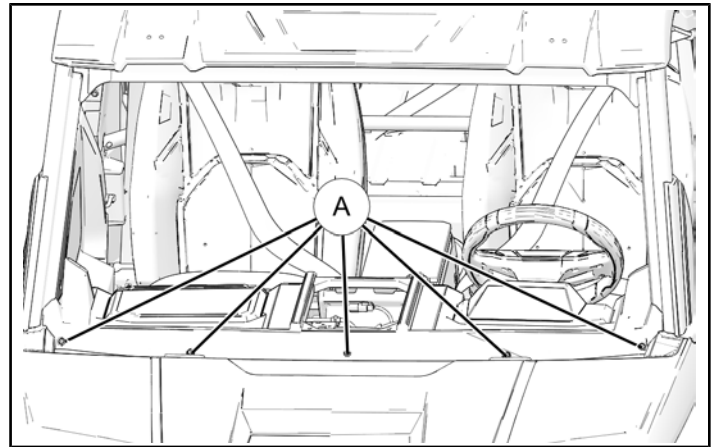
2. Put front of dash cover in position and set into place. Make sure center of dash is placed in slots on vehicle.

### TIP

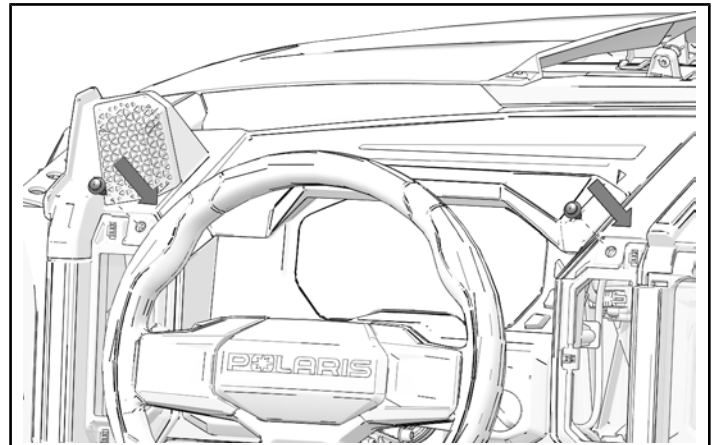
If head unit/storage bin was not removed, make sure these tabs are inserted behind the head unit trim.



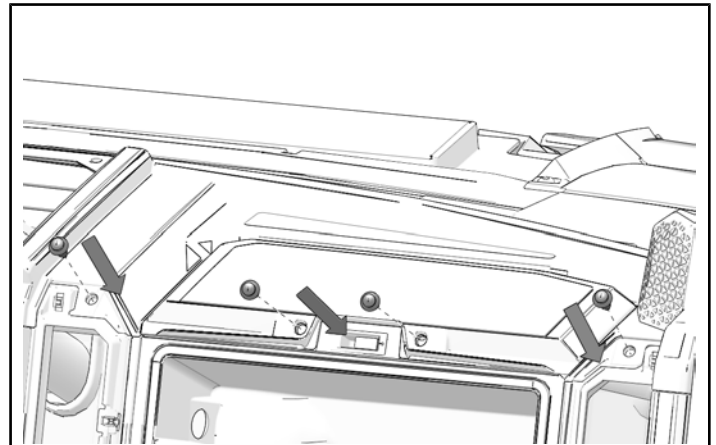
3. Install five push screws (A).



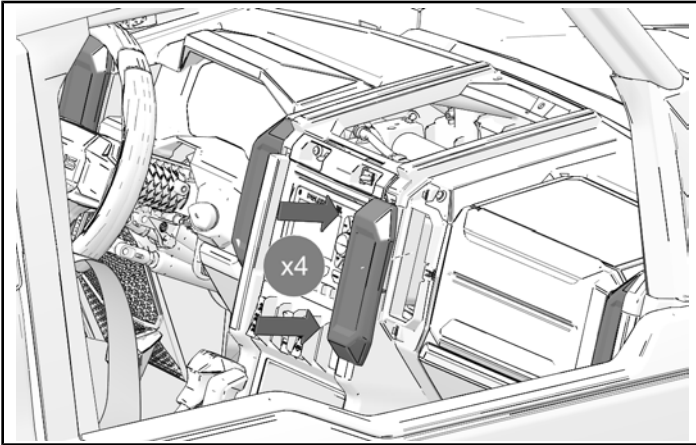
4. Install two push pin rivets on drivers side of dash cover.



5. Install four push pin rivets on passenger side of dash cover.



6. Install four dash vent covers. Push evenly at top and bottom to install.



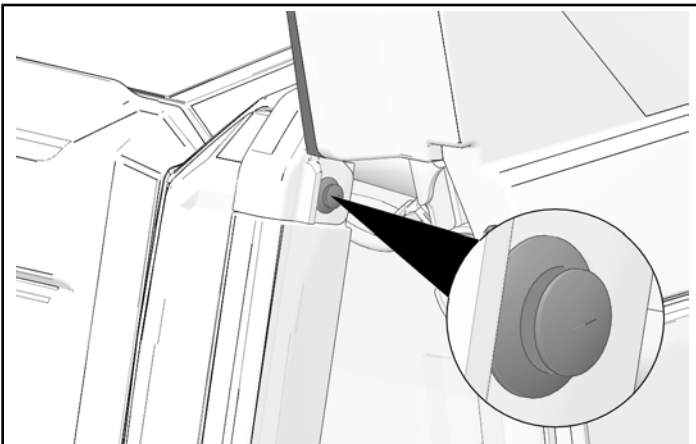
7. Install one push pin rivet at each side of dash.

**NOTICE**

A-pillar trim hidden for clarity.

**NOTICE**

Right side shown; left side similar.



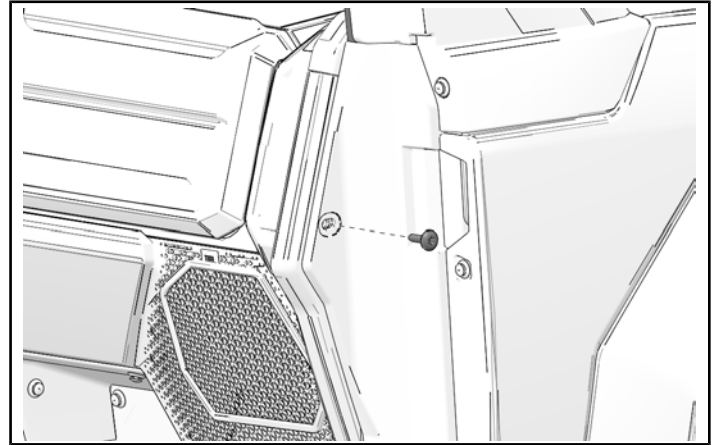
8. Install one screw at each side of dash. Torque to specification.

**NOTICE**

Right side shown; left side similar.

**TORQUE**

Dash Screws:  
**26.5 in-lbs (3 N·m)**

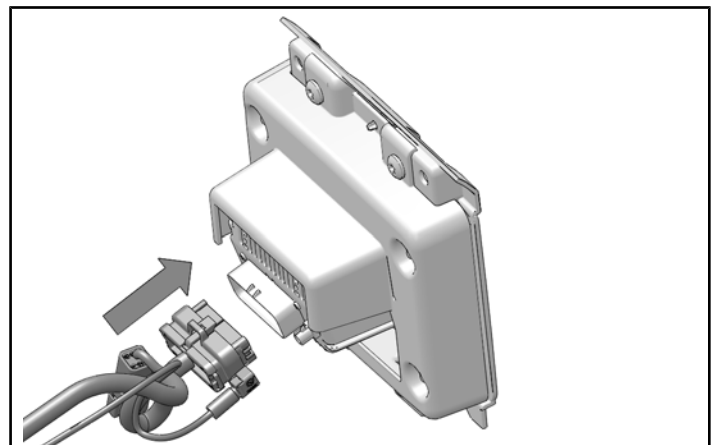


**HEAD UNIT INSTALLATION**

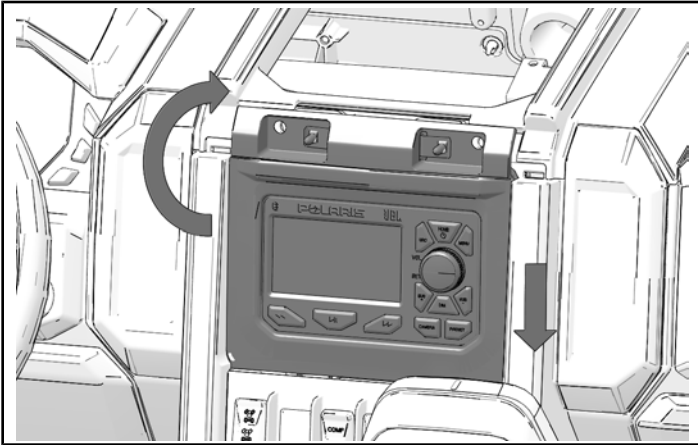
**NOTICE**

Base audio head unit installation shown. Ride Command® display installation similar.

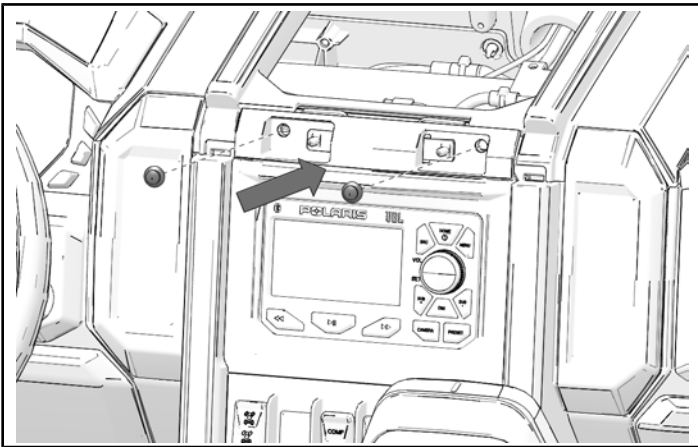
1. Attach wiring harness and antenna to head unit.



- Put bottom of head unit into position. Push top of head unit into dash.

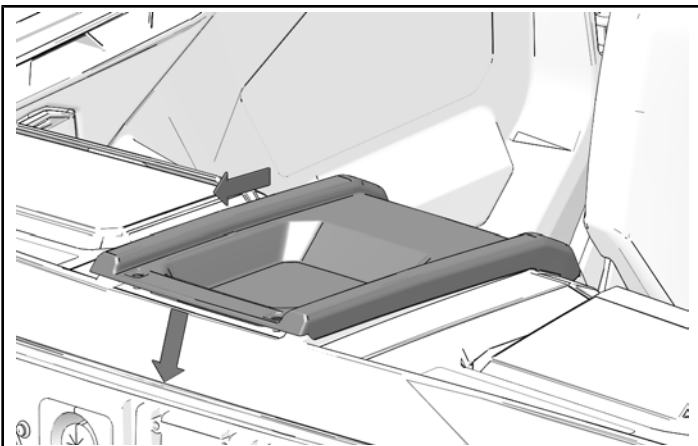


- Install two push-pin rivets into top of head unit.

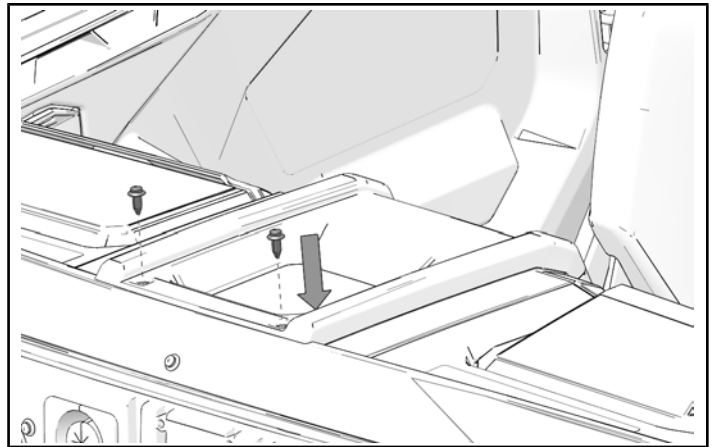


### **CENTER DASH PANEL INSTALLATION**

- Install center panel. Install rear tabs into dash, then lower into position.



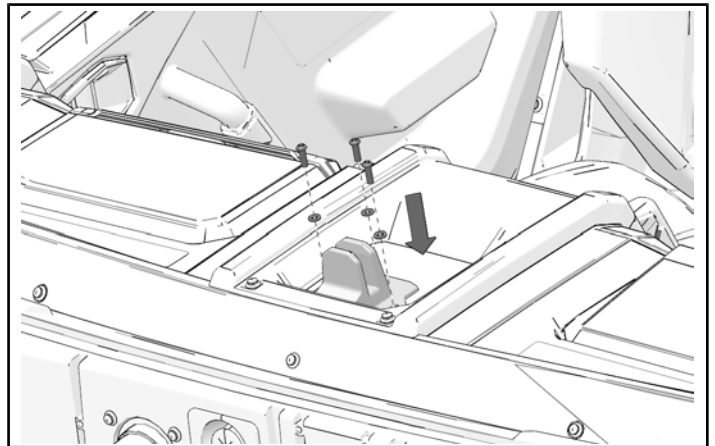
- Install two push-pin rivets.



- If vehicle is equipped with tip-out windshield. Install base, three screws, and washers. Torque screws to specification.

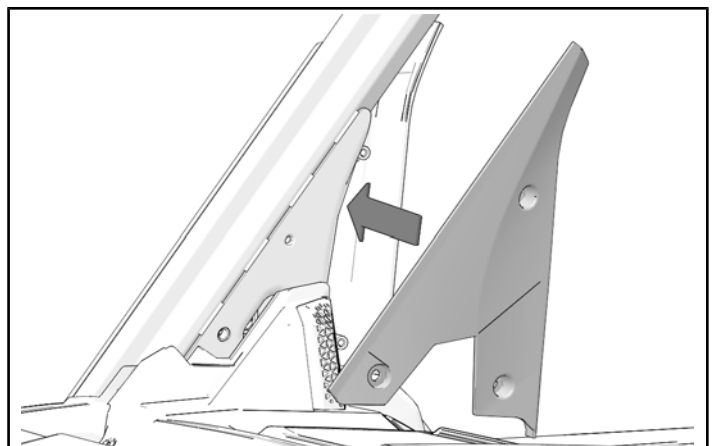
#### **TORQUE**

Base Screws:  
**89 in-lbs (10 N·m)**



### **INSTALL LOWER A-PILLAR TRIM**

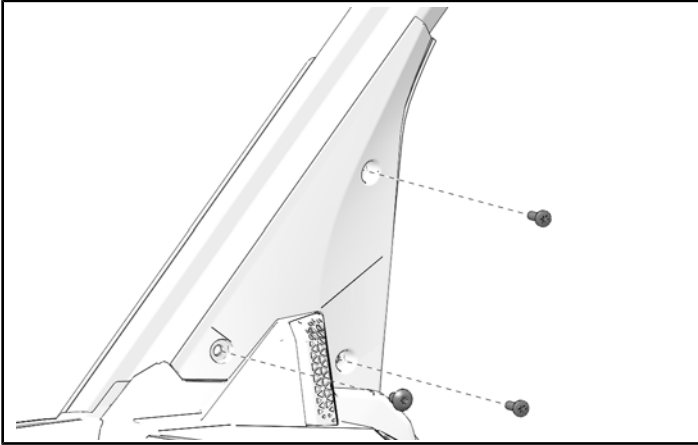
- Put lower A-pillar trim in position at base of A-pillar.



2. Install three screws. Torque to specification.

**TORQUE**

Lower A-Pillar Trim Screws:  
**22 in-lbs (2.5 N·m)**

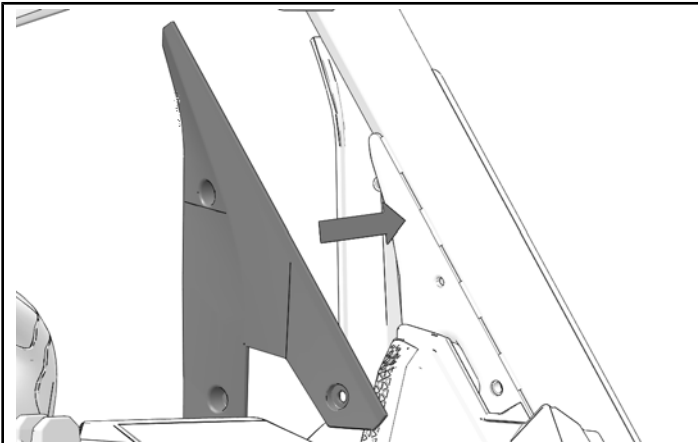


**VEHICLES EQUIPPED WITH TIP-OUT WINDSHIELD**

**NOTICE**

Left side shown; right side similar.

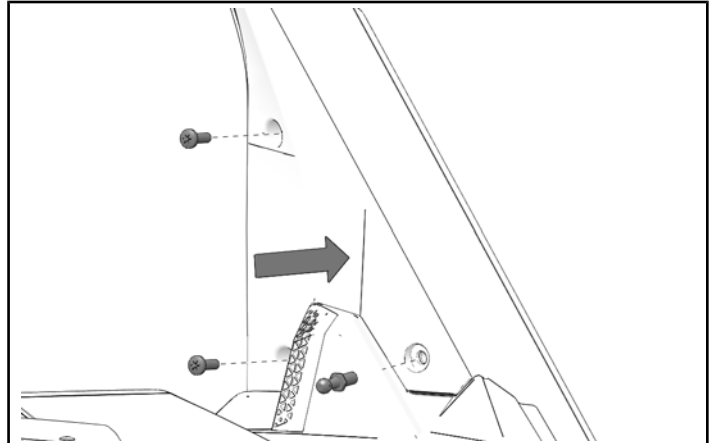
1. Put lower A-pillar trim in position at base of A-pillar.



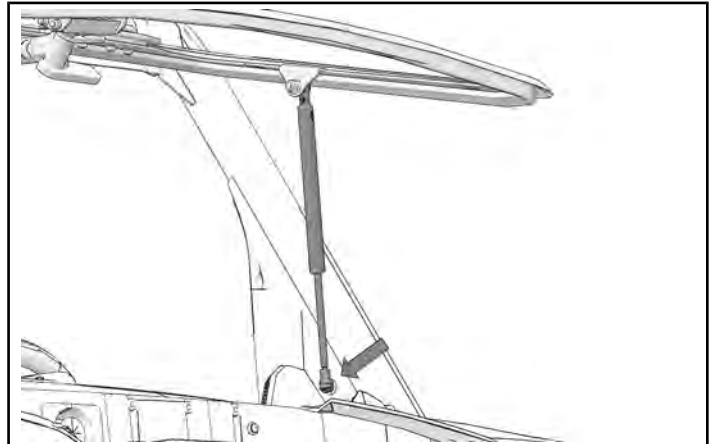
2. Install two screws and ball stud. Torque to specification.

**TORQUE**

Lower A-Pillar Trim Screws:  
**22 in-lbs (2.5 N·m)**



3. Return clip at bottom of gas spring to engaged position. Connect bottom of gas springs.

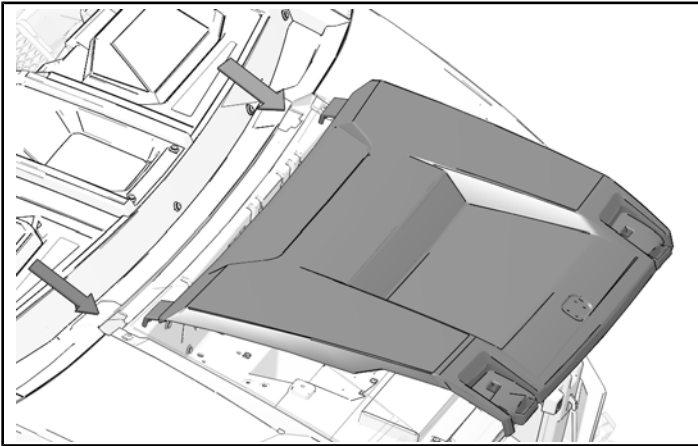


4. Remove windshield support and close tip-out windshield.

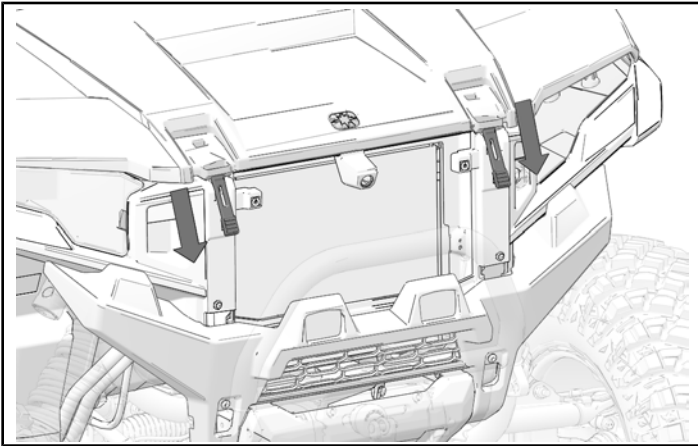


## HOOD AND GRILL INSTALLATION

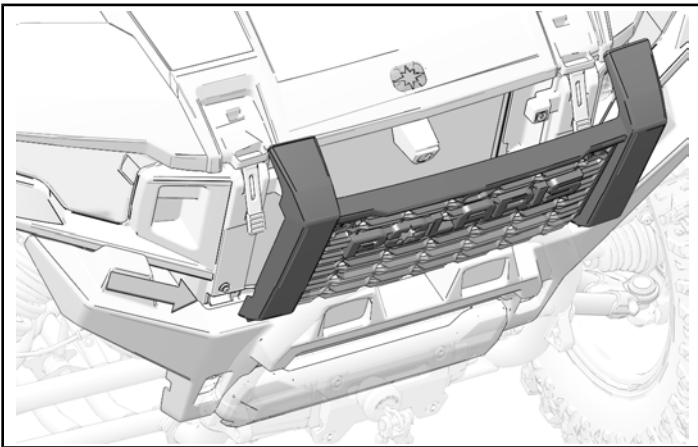
1. Put tabs on hood through openings in underhood liner. Then lower hood into position.



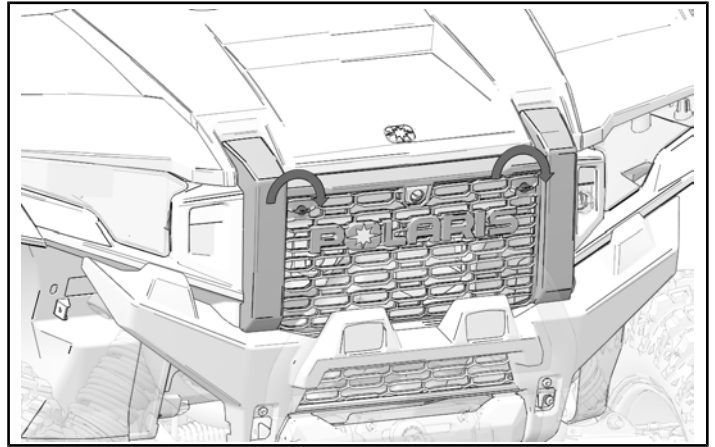
2. Pull rubber straps down over hooks to secure hood.



3. Put tabs on grill through openings in front fascia. Push top of grill into correct position.

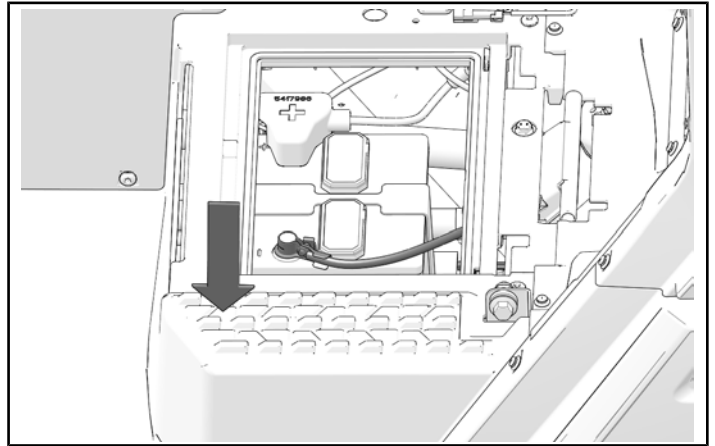


4. Push each stud in and turn one-quarter turn clockwise to attach grill.

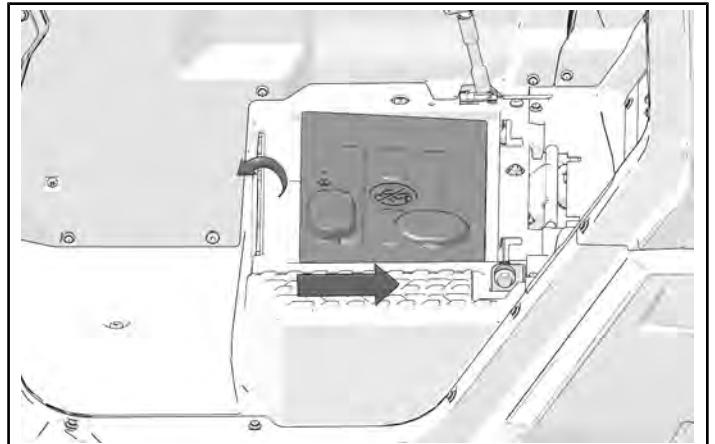


## CONNECT BATTERY

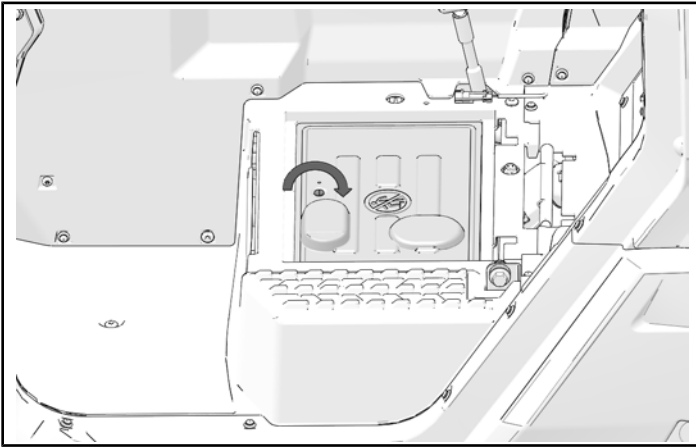
1. Connect negative cable to battery.



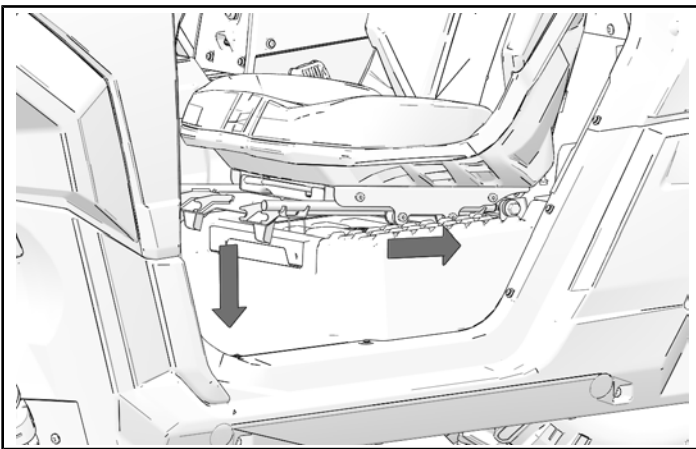
2. Push battery cover rearward and lower into place.



3. Turn screw to close cover.



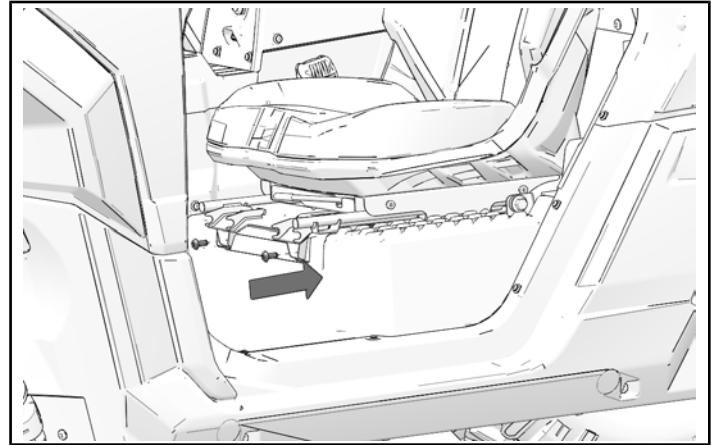
4. Push rearward to engage seat and lower front of seat into place.



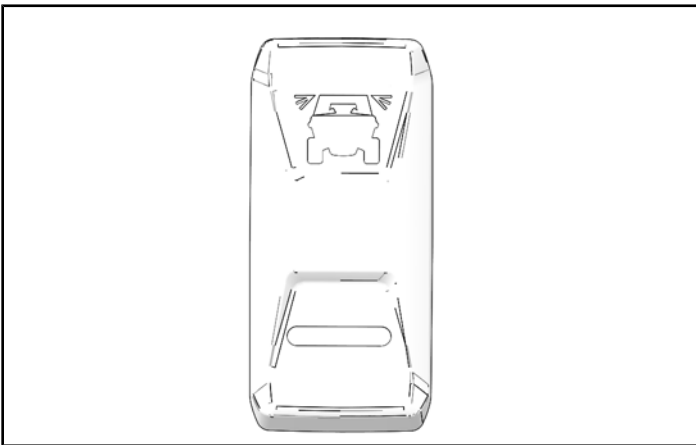
5. Install two kept screws at front of seat base. Torque screws to specification.

### TORQUE

Screws:  
**13 ft-lbs (18 N·m)**



## OPERATION



- Push top half of switch to turn on scene lights.
- Push bottom half of switch to turn off scene lights.