

REAR ROOF MOUNTED LIGHTS KITS



P/N 2889853; 2889730

MISSING OR DAMAGED PARTS

Before beginning assembly, inspect the kit and its component(s) to be sure all parts and tools are accounted for and not damaged. If missing parts or parts are damaged, please contact your Selling Dealer for assistance.

If your accessory was purchased online, please contact POLARIS® customer service at **1-800-POLARIS** (US & Canada only).

APPLICATION

Verify accessory fitment at www.polaris.com.

IMPORTANT

Rear Mounted Roof Lights cannot be installed on vehicles equipped with a platform roof rack, except Multi-Passenger ADV models.

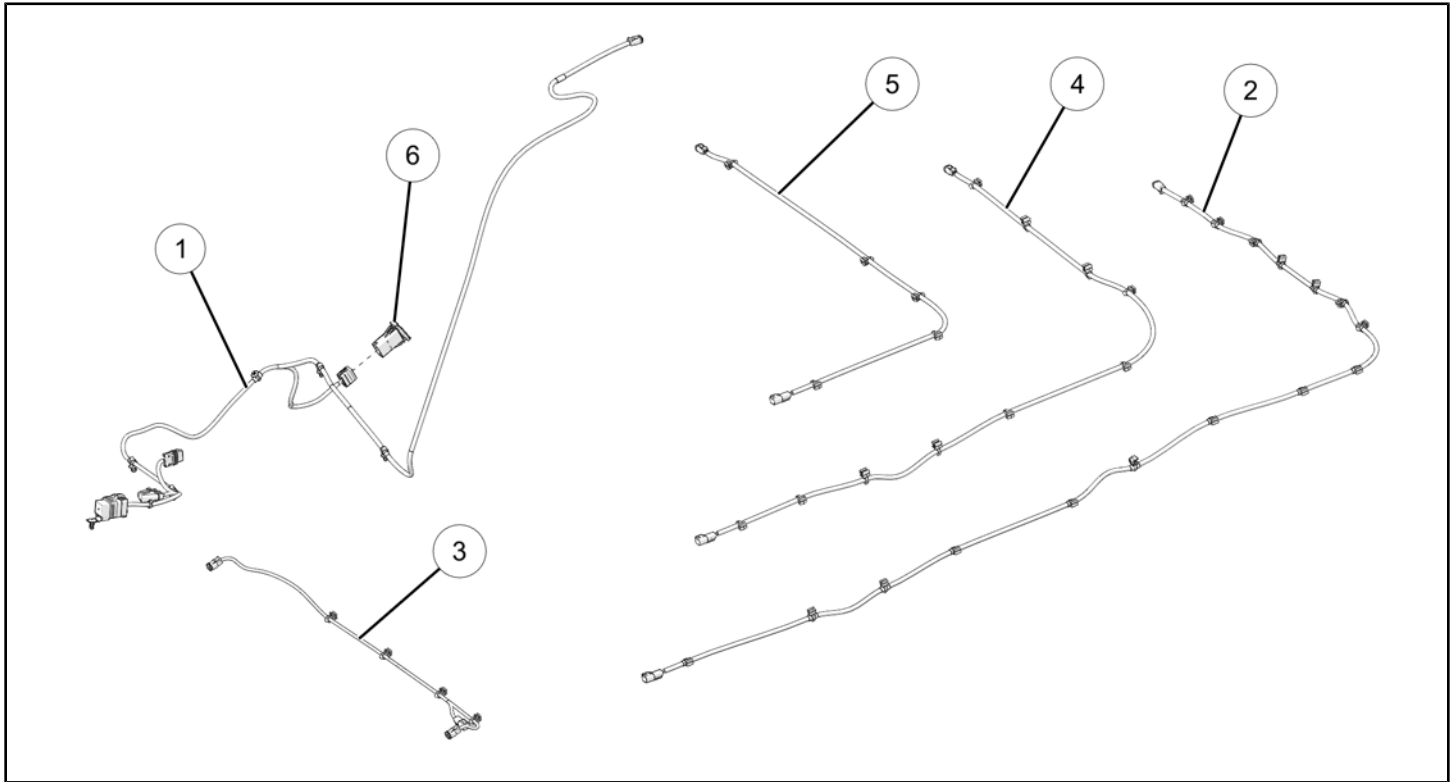
REQUIRED SOLD SEPARATELY

Only parts for installation of the Rear Roof Mounted Lights Kits are included. For complete installation, one of the following additional kits is required (sold separately):

- *Pro Armor 30" Dual Row LED Light Bar, P/N 2882074*
- *Rigid® 32" Combo LED Light Bar, P/N 2884299*
- *Pro Armor 33" Combo LED Light Bar, P/N 2882077*
- *Pro Armor 40" Single Row LED Light Bar, P/N 2882763*
- *Rigid® D-Series PRO Flood LED Light, P/N 2883126*
- *Rigid® D-Series PRO Spot LED Light, P/N 2883127*
- *Rigid® D-Series PRO Driving LED Light, P/N 2883128*
- *Pro Armor 2" x 2" Cube LED Spot Light, P/N 2882076*
- *Pro Armor 2" x 2" Cube LED Flood Light, P/N 2882312*

KIT CONTENTS

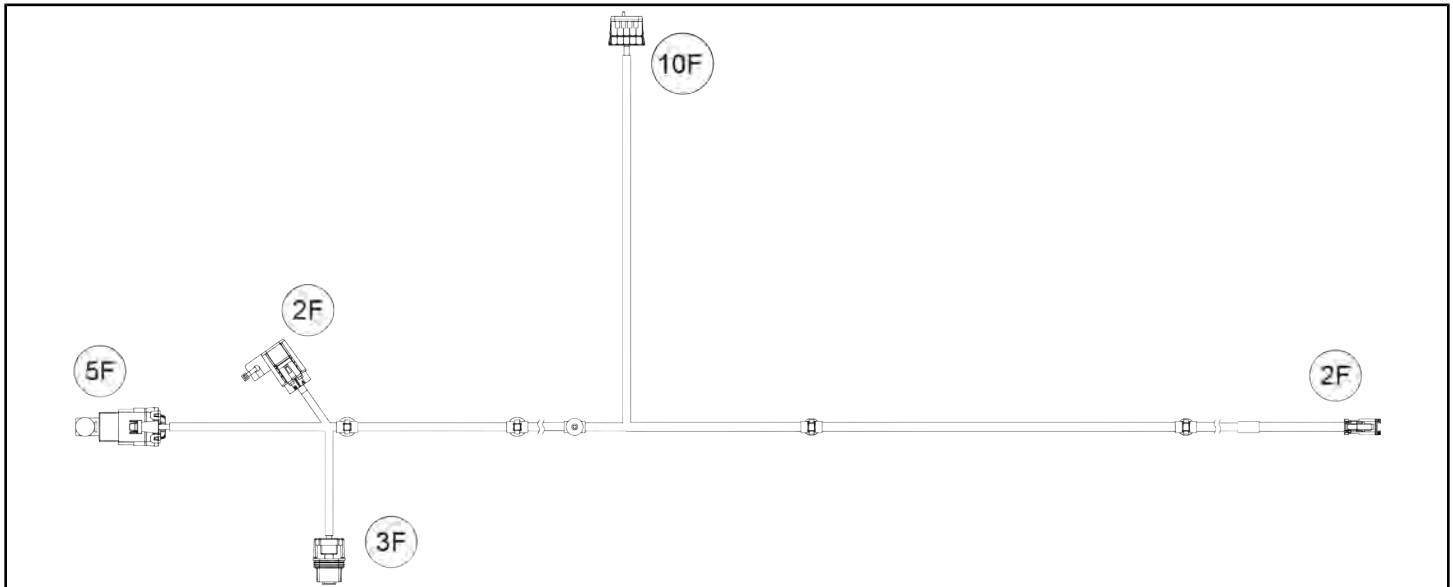
REAR ROOF MOUNTED LIGHTS KIT P/N 2889853; 2889730



REF	QTY	PART DESCRIPTION	P/N AVAILABLE SEPARATELY
1	1	Light Control Harness	n/a
2	1	Roof Light Extension Harness (Multi-Passenger ADV models)	n/a
3	1	Roof Light Y-Harness (P/N 2889730 only)	n/a
4	1	Roof Light Extension Harness (Multi-Passenger XP and 2-Passenger ADV models)	n/a
5	1	Roof Light Extension Harness (2-Passenger XP models)	n/a
6	1	Switch, Rear Light	4080801-25
7	2	Flat Washer (not shown)	7558715

HARNES DETAIL

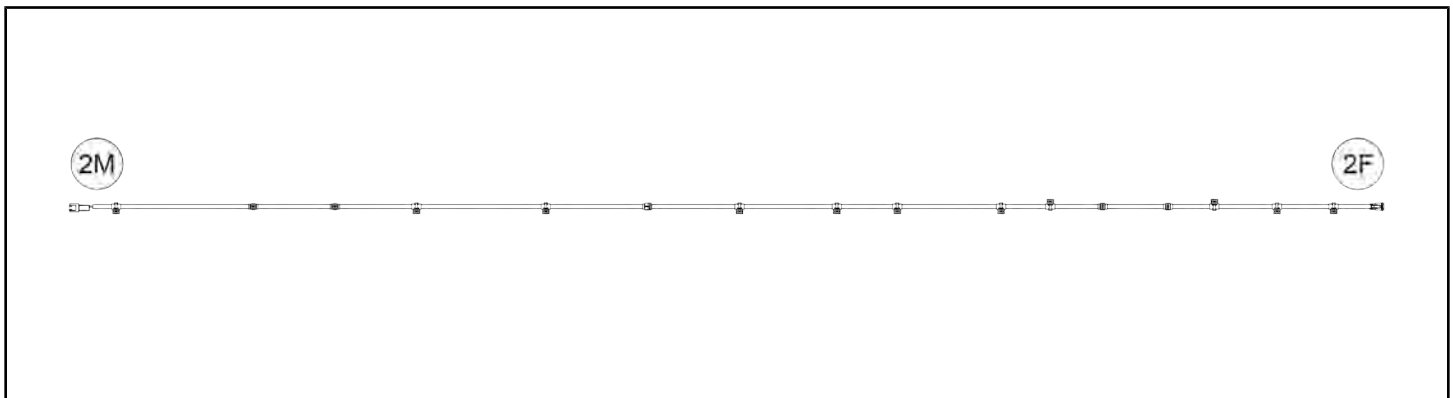
LIGHT CONTROL HARNESS ①



REF	PART DESCRIPTION	CONNECTS TO
2F	Connector – Harness	Roof Light Extension Harness
2F	Connector – Fuse Block	Fuse Block
3F	Connector – Pulse® Bar	Pulse® Bar
5F	Connector – Relay	Lightbar Relay
10F	Connector – Lightbar Switch	Switch ⑥

Example: 16F = 16 pin, Female / 16M = 16 pin, Male (Male terminal fits inside female terminal)

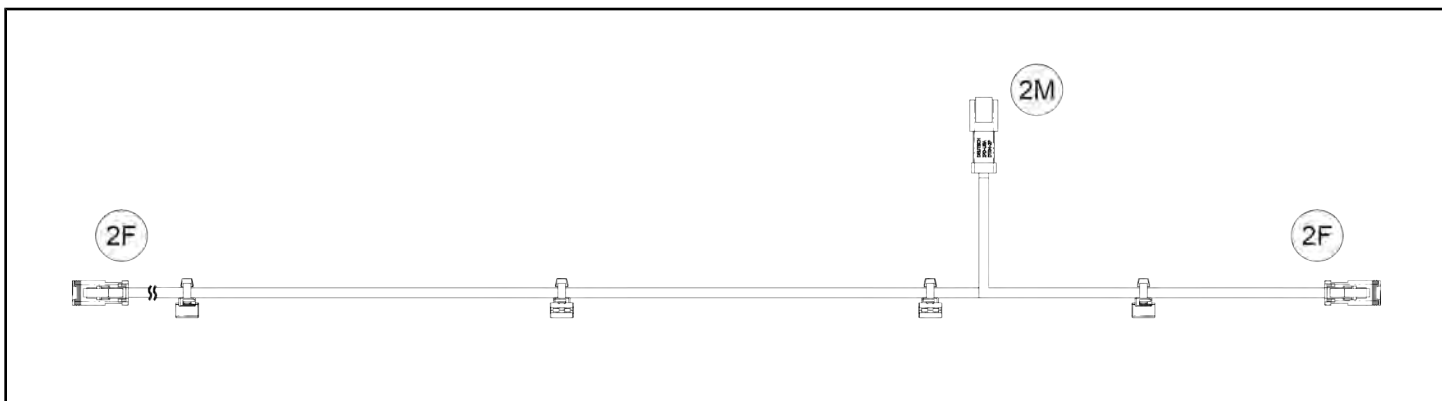
ROOF LIGHT EXTENSION HARNESS (MULTI-PASSENGER ADV MODELS) ②



REF	PART DESCRIPTION	CONNECTS TO
2F	Connector – Harness (P/N 2889853) Connector – Harness (P/N 2889730)	Lightbar Harness Roof Light Y Harness ③
2M	Connector – Harness	Light Control Harness ①

Example: 16F = 16 pin, Female / 16M = 16 pin, Male (Male terminal fits inside female terminal)

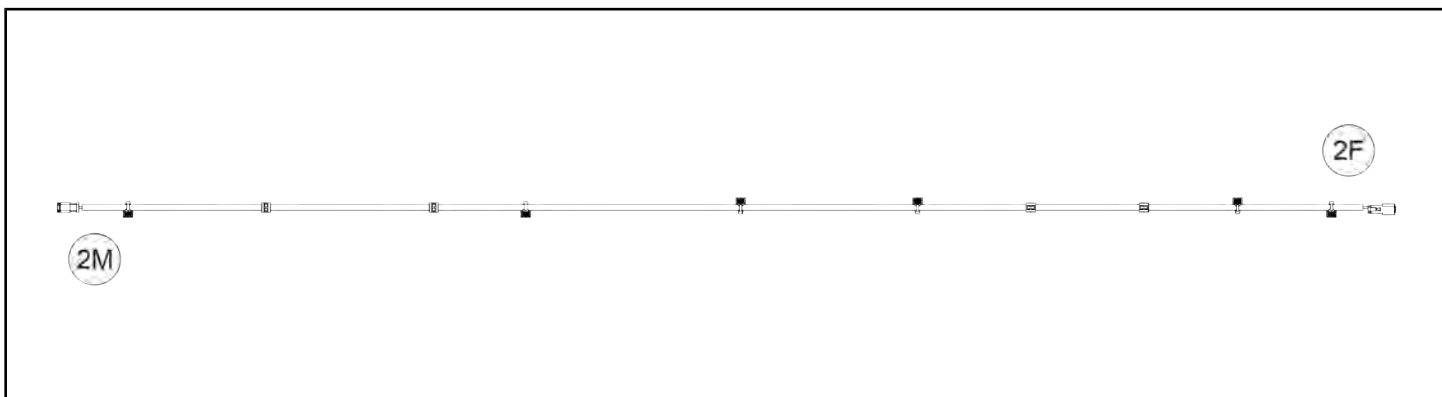
ROOF LIGHT Y-HARNESS ③



REF	PART DESCRIPTION	CONNECTS TO
2F	Connector – Harness	Cube Light Harness
2F	Connector – Harness	Cube Light Harness
2M	Connector – Harness	Roof Light Extension Harness

Example: 16F = 16 pin, Female / 16M = 16 pin, Male (Male terminal fits inside female terminal)

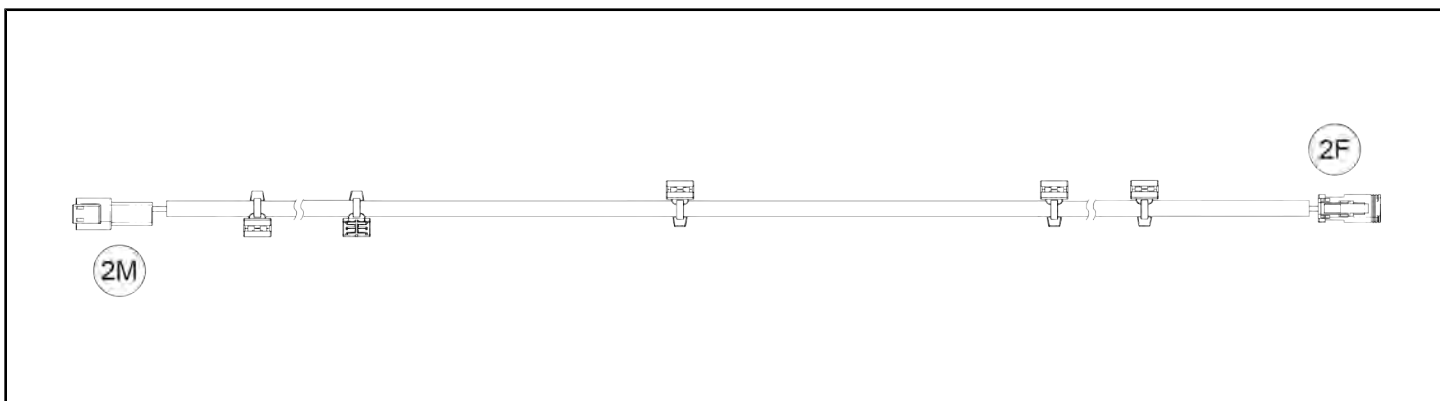
ROOF LIGHT EXTENSION HARNESS (MULTI-PASSENGER XP OR 2-PASSENGER ADV MODELS) ④



REF	PART DESCRIPTION	CONNECTS TO
2F	Connector – Harness (P/N 2889853) Connector – Harness (P/N 2889730)	Lightbar Harness Roof Light Y Harness ③
2M	Connector – Harness	Light Control Harness ①

Example: 16F = 16 pin, Female / 16M = 16 pin, Male (Male terminal fits inside female terminal)

ROOF LIGHT EXTENSION HARNESS (2-PASSENGER XP MODELS) ⑤



REF	PART DESCRIPTION	CONNECTS TO
2F	Connector – Harness (P/N 2889853) Connector – Harness (P/N 2889730)	Lightbar Harness Roof Light Y Harness ③
2M	Connector – Harness	Light Control Harness ①
Example: 16F = 16 pin, Female / 16M = 16 pin, Male (Male terminal fits inside female terminal)		

TOOLS REQUIRED

- Safety Glasses
- Drill
- Drill Bit:
 - 1/8 in (3 mm)
 - 5/16 in (8 mm)
 - 11/32 in (9 mm)
- File, Round (or equivalent)
- Fish Tape (or equivalent)
- Hex Key Set, Metric
- Hole Saw:
 - 13/16 in (20 mm)
 - 1 in (25 mm)
- Pick and Hook Set
- Screwdriver, Slotted
- Screwdriver Set, Torx®
- Socket Set, Hex Bit, Metric
- Socket Set, Metric
- Socket Set, SAE
- Socket Set, Torx® Bit
- Torque Wrench
- Wrench Set, Metric
- Wrench Set, SAE
- Utility Knife/Cutting Tool

IMPORTANT

Your Rear Roof Mounted Lights Kits is exclusively designed for your vehicle. Please read the installation instructions thoroughly before beginning. Installation is easier if the vehicle is clean and free of debris. For your safety, and to ensure a satisfactory installation, perform all installation steps correctly in the sequence shown.

INSTALLATION INSTRUCTIONS

VEHICLE PREPARATION

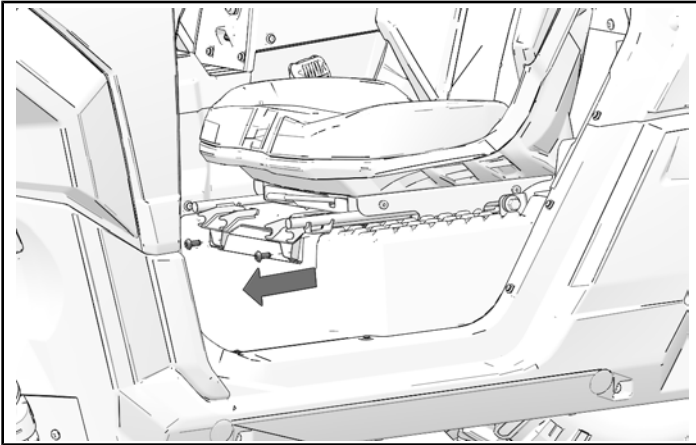
GENERAL

1. Park vehicle on a flat surface.
2. Shift vehicle into PARK.
3. Turn key to OFF position and remove key.

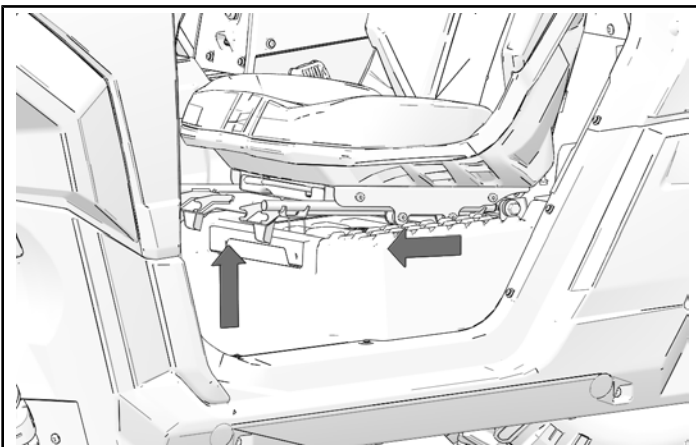
BATTERY DISCONNECTION

NOTICE
Doors hidden for clarity.

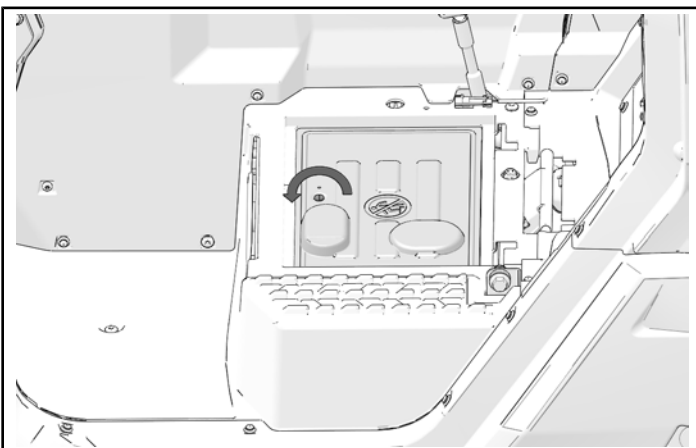
1. Remove and keep two screws from front of driver seat base.



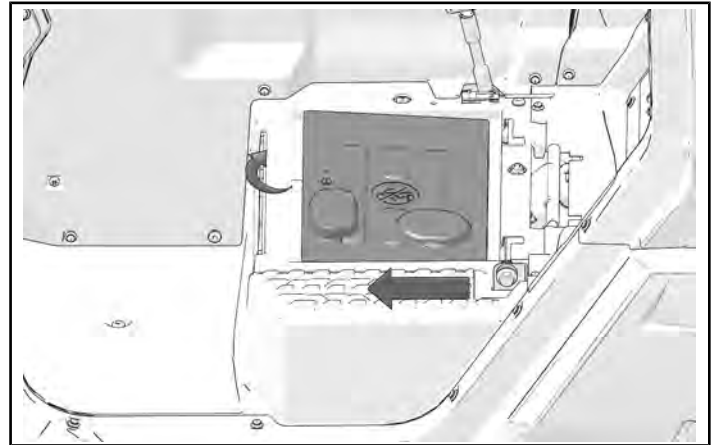
2. Lift front of seat and pull forward to remove seat.



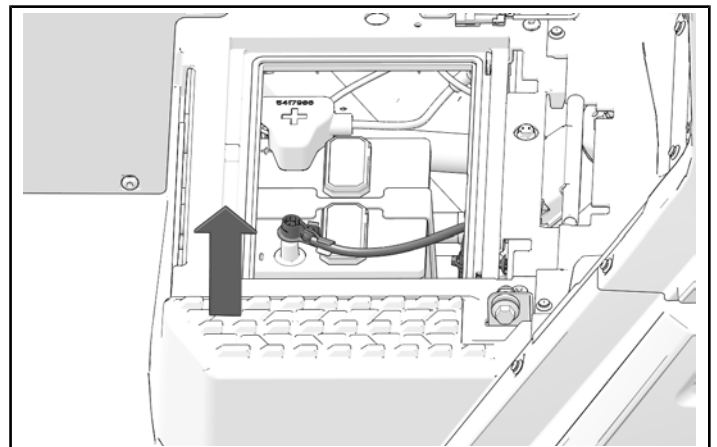
3. Turn screw to open cover.



4. Lift cover and slide forward to remove.

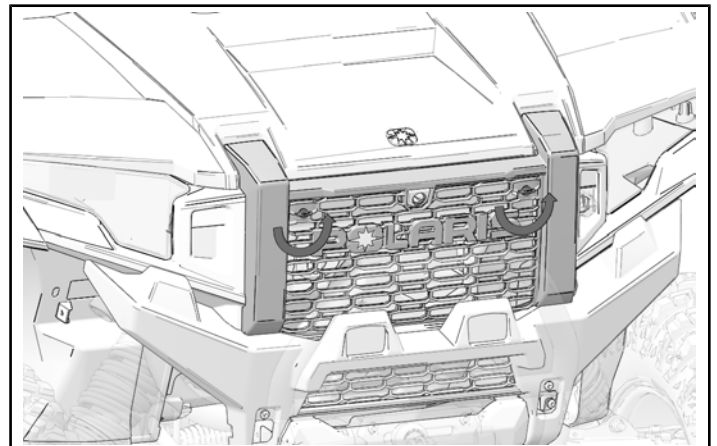


5. Disconnect negative (-) cable from battery.

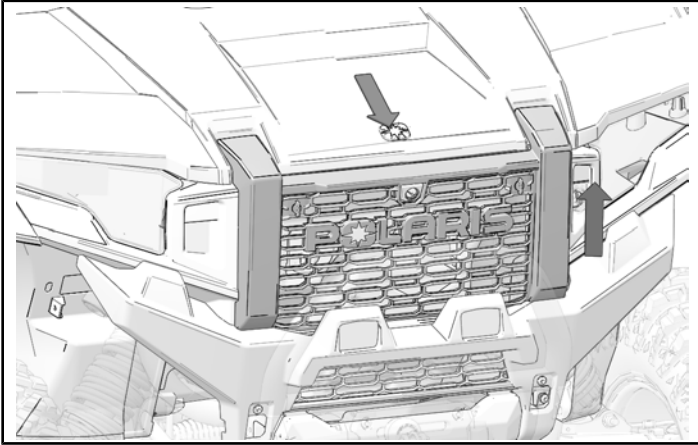


HOOD AND GRILL REMOVAL

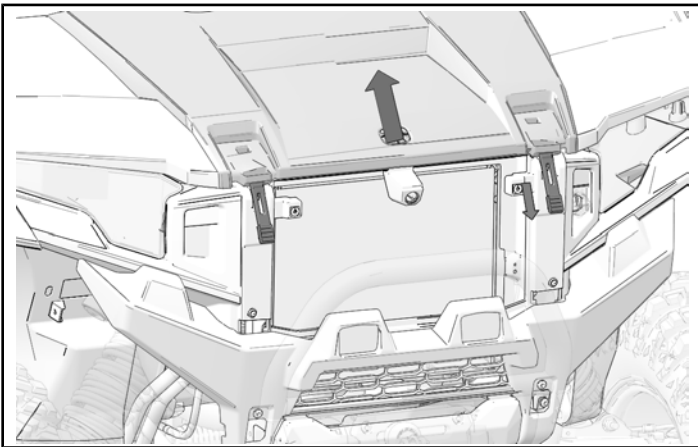
1. Turn each stud one-quarter turn to release grill.



2. Pull top of grill forward and then lift up to remove grill.



3. Pull rubber straps off hooks to release hood. Lift hood to remove.



REMOVE LOWER A PILLAR TRIM

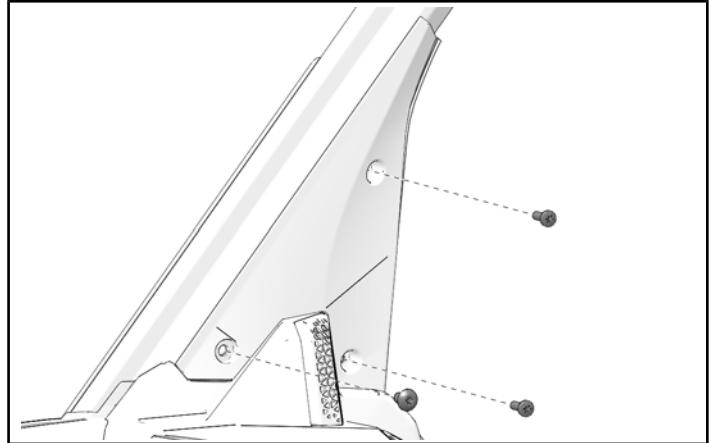
NOTICE

If vehicle is equipped with poly windshield, removal of lower mounting hardware may make removal of lower A-pillar trim easier.

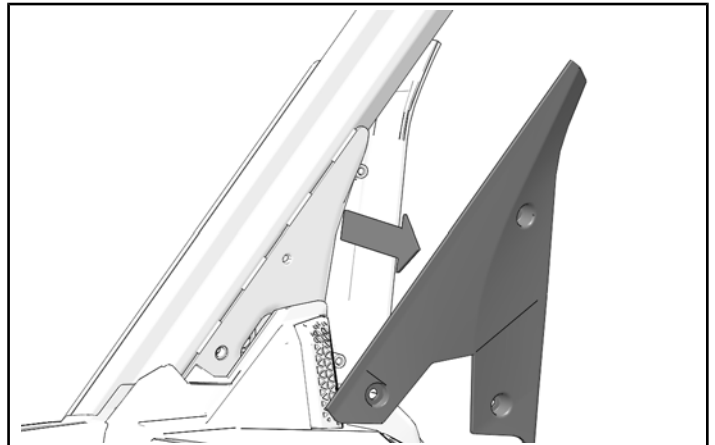
1. Remove three screws from lower A-pillar trim panel.

NOTICE

Right side shown; left side similar.



2. Pull A-pillar trim piece away from vehicle.



VEHICLES EQUIPPED WITH TIP-OUT WINDSHIELD

NOTICE

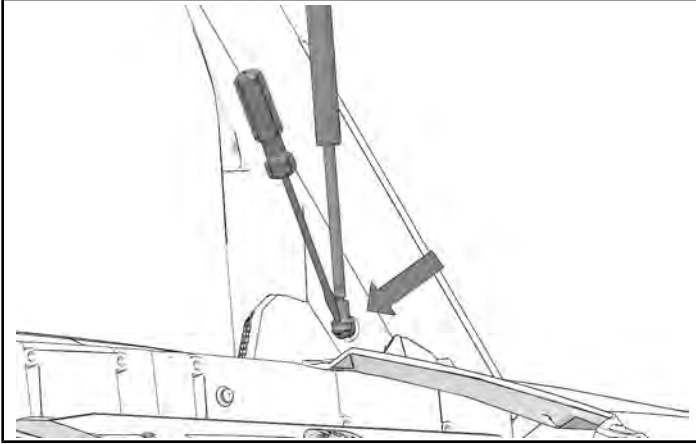
Left side shown; Right side similar.

1. Open tip-out windshield. Install a support to hold weight of windshield.

2. Use appropriate tool to release clip at lower end of gas spring.

CAUTION

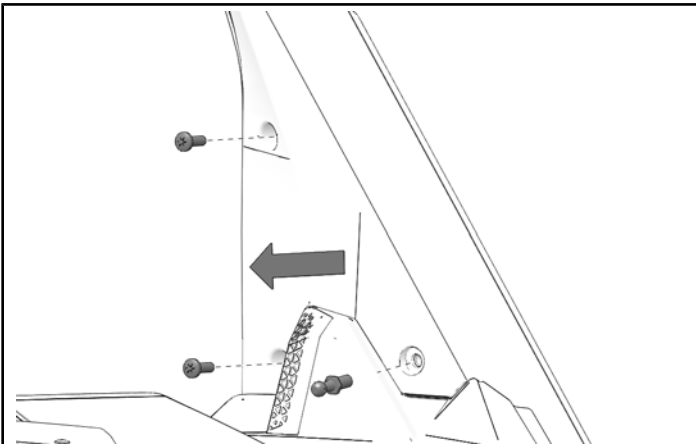
Use care when releasing the clip. Clip may spring away from fitting, and may strike objects or become lost.



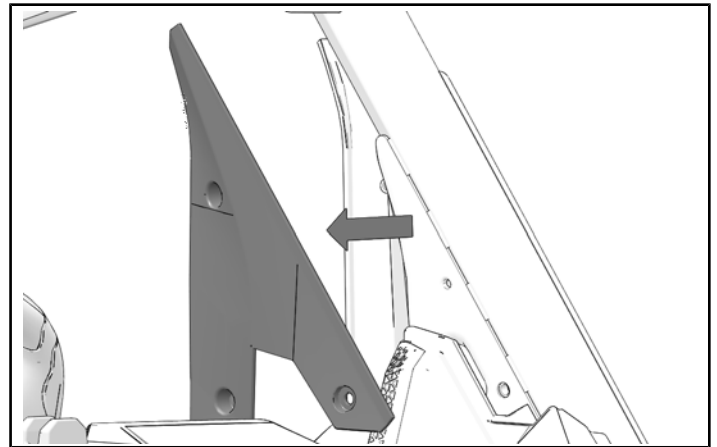
3. Disconnect bottom of gas springs.



4. Remove two screws and ball stud from lower A-pillar trim panel.



5. Pull A-pillar trim piece away from vehicle.



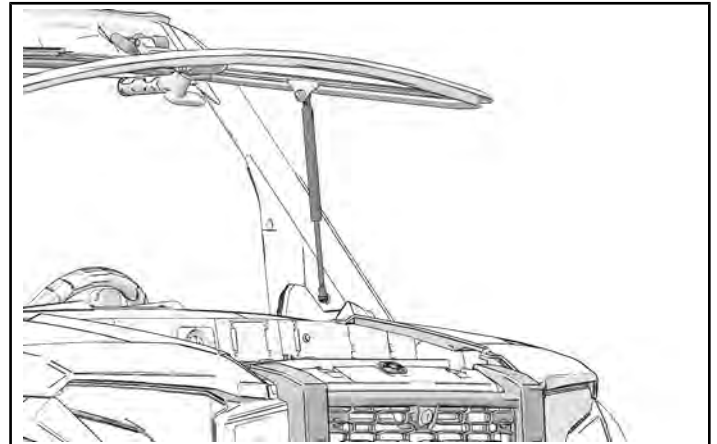
CENTER DASH PANEL REMOVAL

VEHICLES WITH TIP-OUT WINDSHIELD

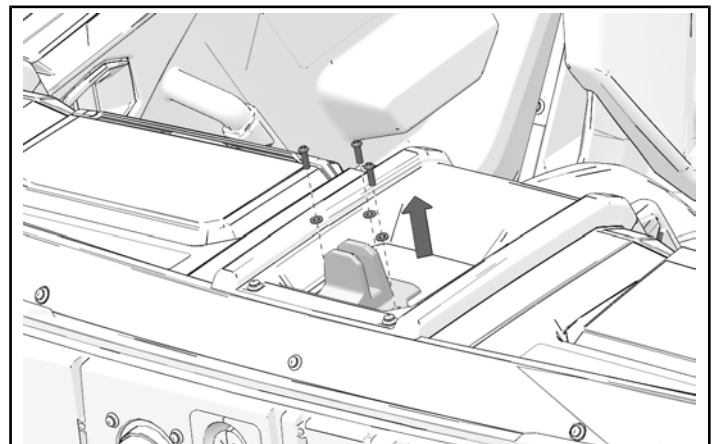
NOTICE

For vehicles without tip-out windshield, proceed to Panel Removal.

1. Open tip-out windshield.

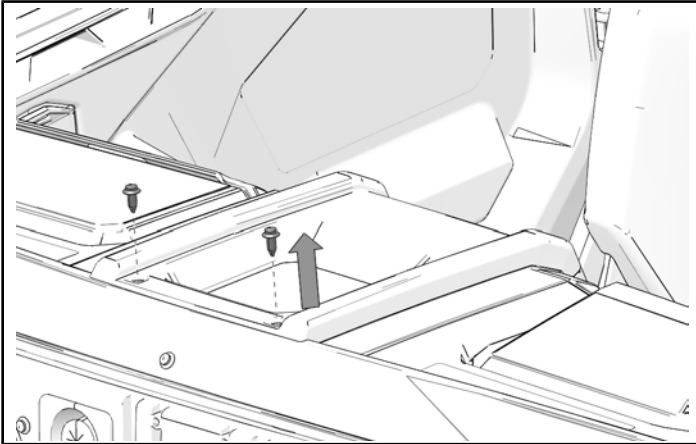


2. Remove and keep three screws and washers. Remove and keep windshield base.

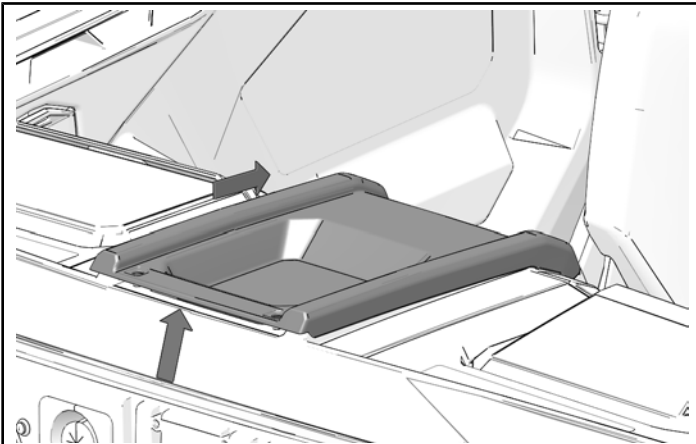


PANEL REMOVAL

1. Remove and keep two push-pin rivets from center dash panel.



2. Remove and keep panel by lifting front edge and moving backward.



HEAD UNIT REMOVAL

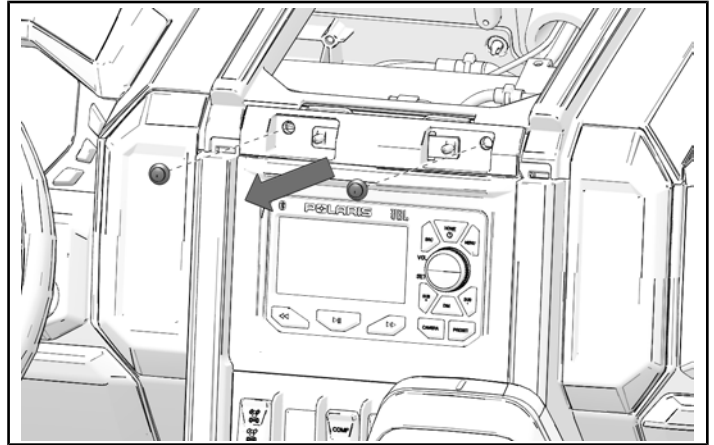
NOTICE

Vehicles without audio system will have a storage bin in place of head unit. Storage bin is removed in a similar manner to head unit.

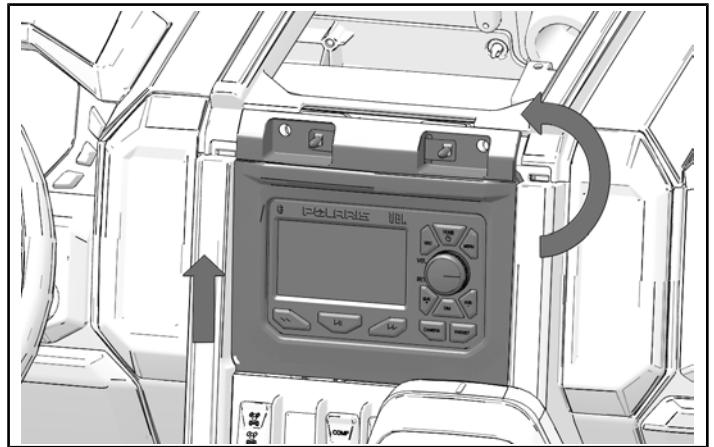
NOTICE

Base audio head unit removal shown. Ride Command® display removal similar.

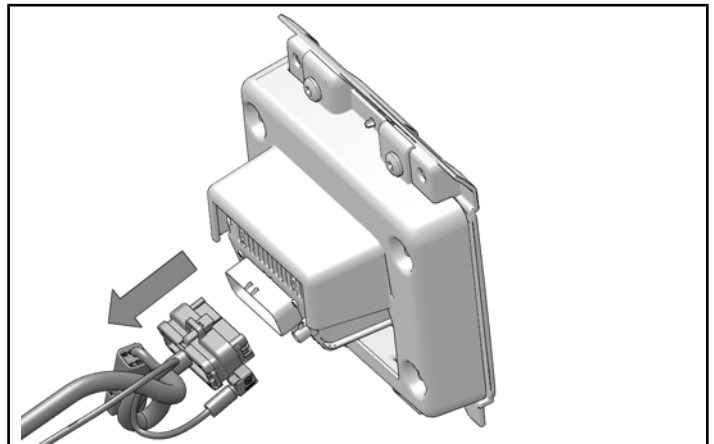
1. Remove and keep two push-pin rivets from top of the head unit.



2. Pull top of head unit away from dash and lift head unit up to remove from dash.



3. Disconnect wiring harness and antenna from head unit. Remove and keep head unit.

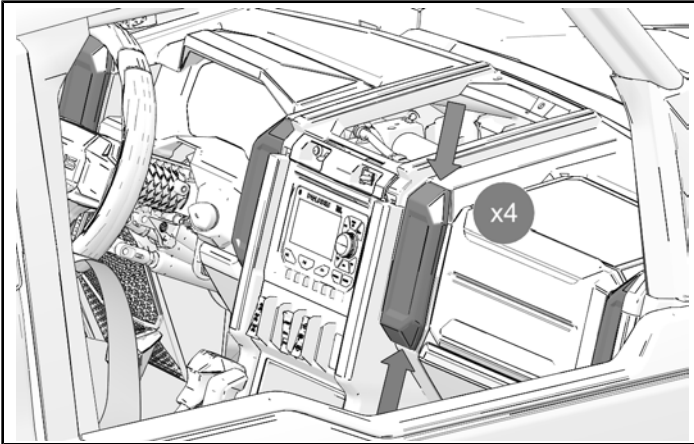


REMOVE DASH COVER

1. Remove four dash vents/covers. Pry simultaneously at top and bottom of vent/cover to remove.

IMPORTANT

Make sure white clips on back of vents/covers do not become lost.



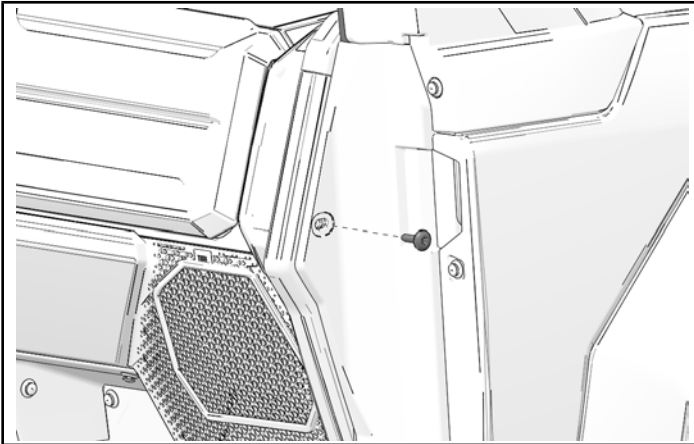
2. Remove one screw at each side of dash cover.

NOTICE

Right side shown; left side similar.

TIP

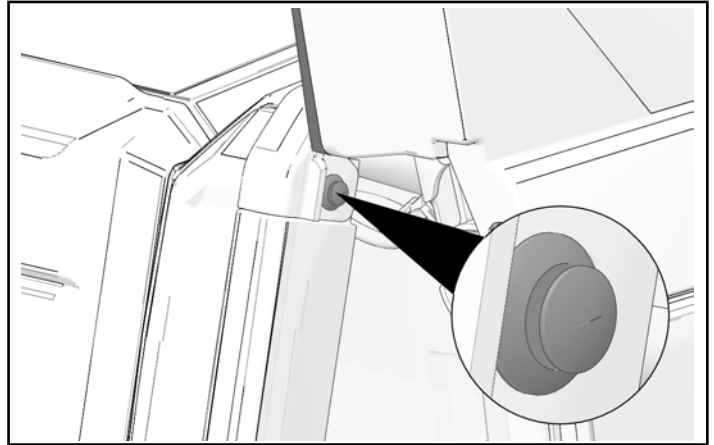
Doors will need to be fully open to access and remove these screws. Removal of these screws allows cover to be pulled open in next step to remove push-pin rivet.



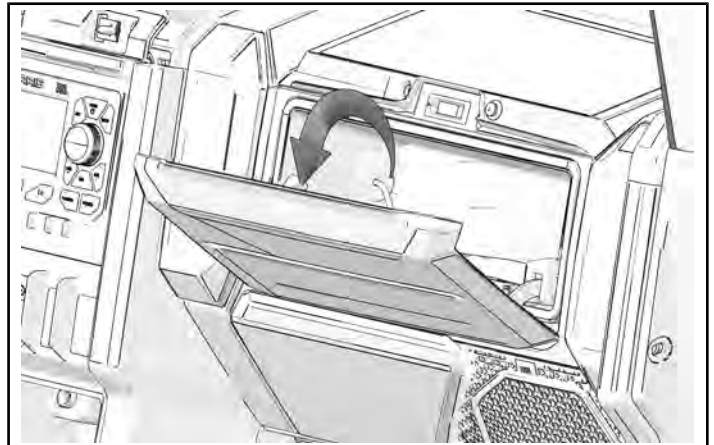
3. Carefully pull plastic cover away from lower A-pillar area and remove one push-pin rivet from side of dash cover.

NOTICE

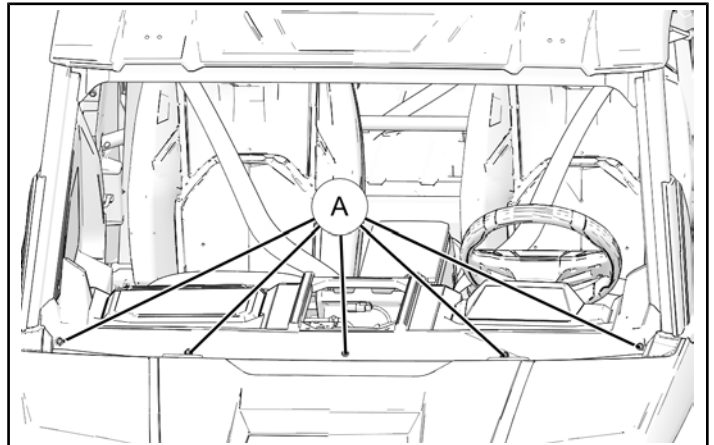
A-pillar trim hidden for clarity.



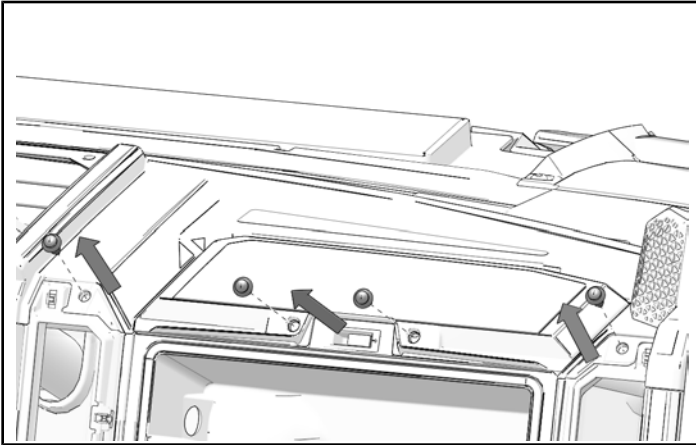
4. Open glove box.



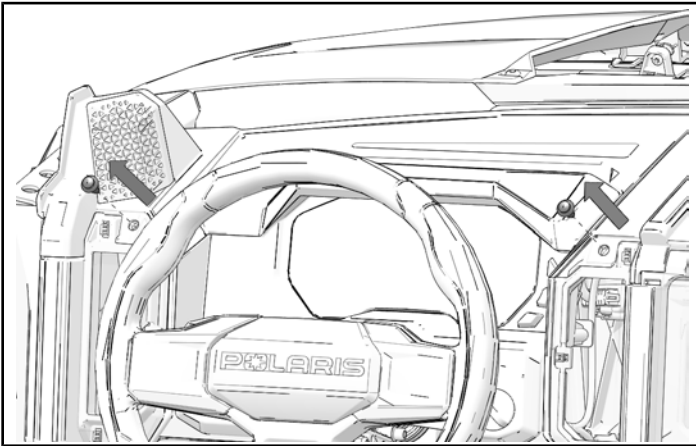
5. Remove and keep five screws (A) and washers at front of dash cover.



6. Remove four push-pin rivets from passenger side of dash cover.



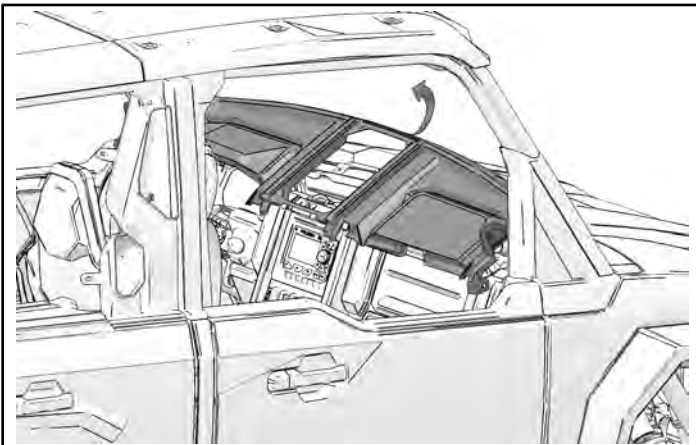
7. Remove two push-pin rivets from drivers side of dash cover.



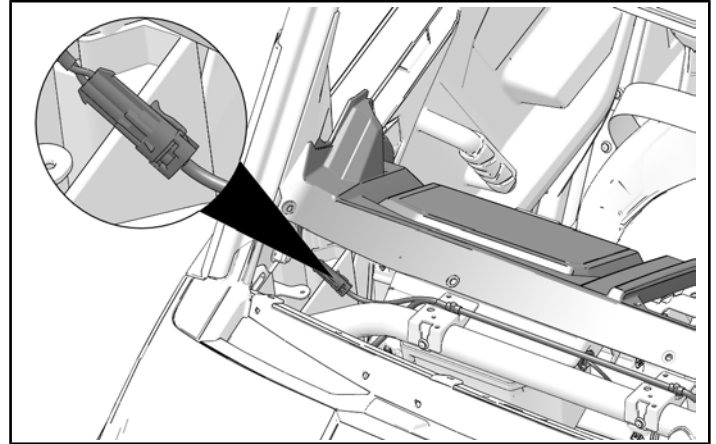
8. Lift up and forward to remove dash cover.

TIP

Lift up on front center of dash to disengage two radio retention tabs.



9. If vehicle is equipped with upper tweeters, make sure to unplug tweeters when removing dash cover.

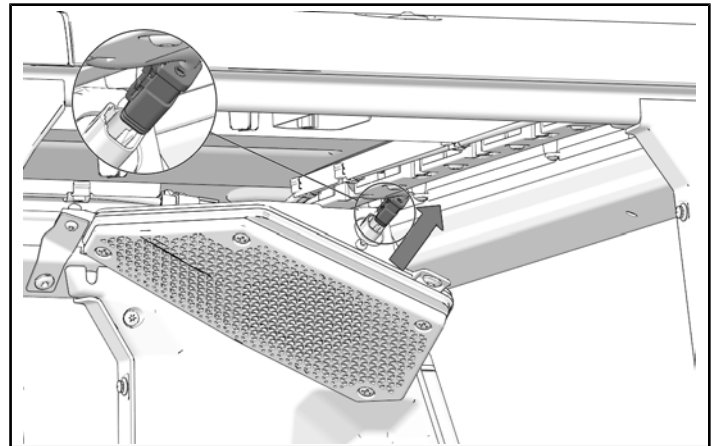


REAR SPEAKER REMOVAL

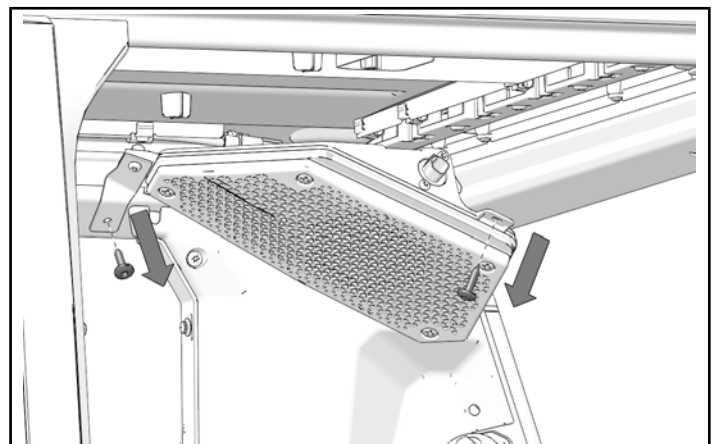
1. Disconnect wiring harness from the rear speaker.

NOTICE

Right side shown; left side similar.

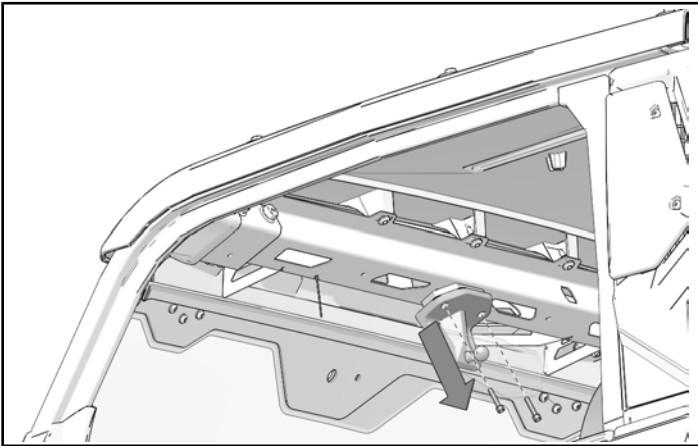


2. Remove and keep two screws. Remove the speaker.

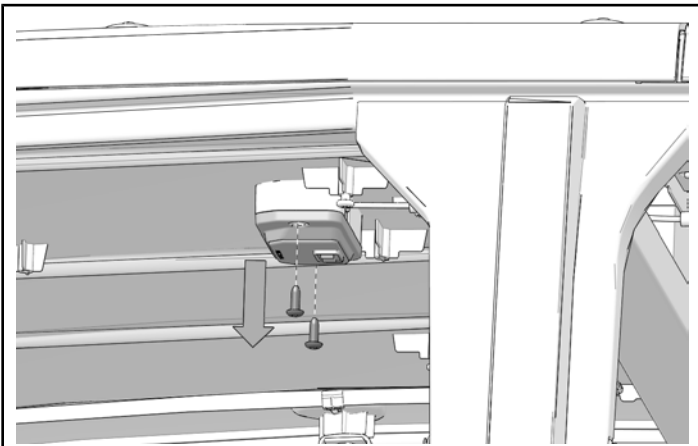


FRONT ROOF LINER REMOVAL

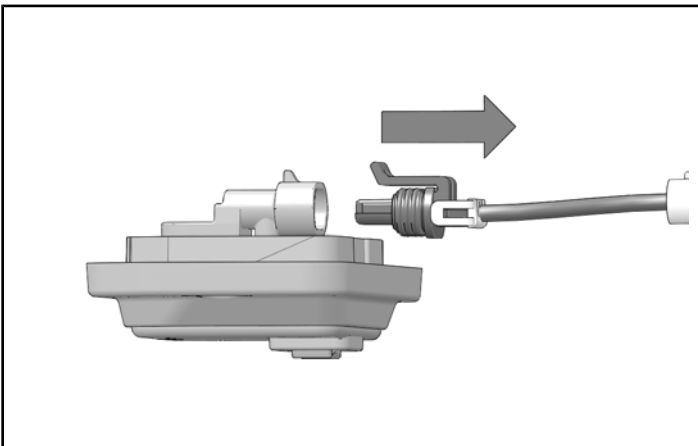
1. Remove and save two screws and rearview mirror assembly (if equipped).



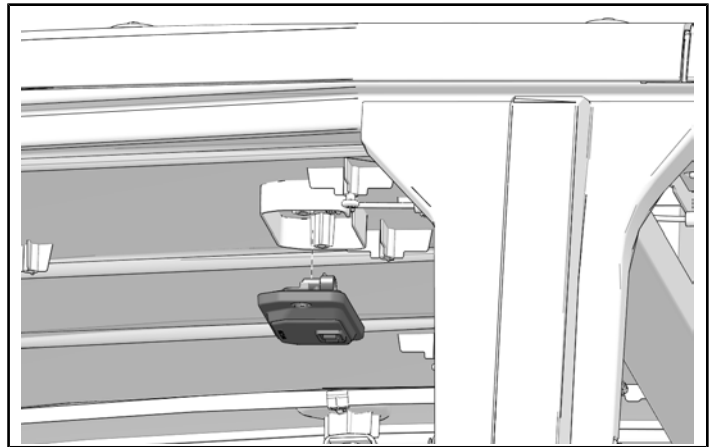
2. Remove and keep two screws to uninstall dome light.



3. Disconnect dome light from wiring harness.



4. Remove and keep dome light.



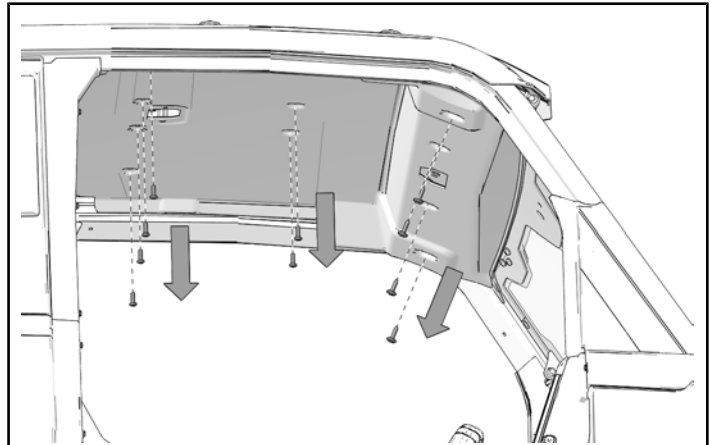
5. Remove and keep six screws from top of roof liner and four screws from front of roof liner.

NOTICE

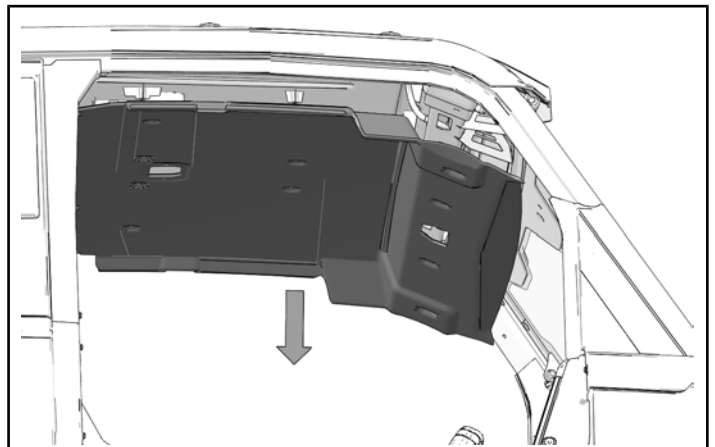
Vehicles that are not equipped with rearview mirror will have a fifth screw at front of roof liner.

NOTICE

Vehicles equipped with 2-passenger cab will have three additional screws near rear of roof liner.

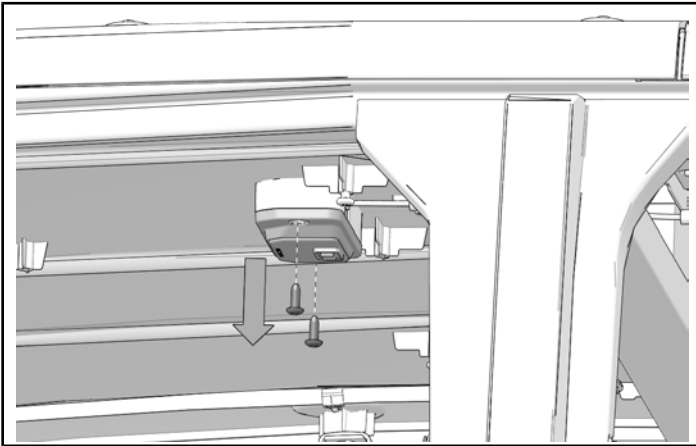


6. Remove and keep front roof liner.

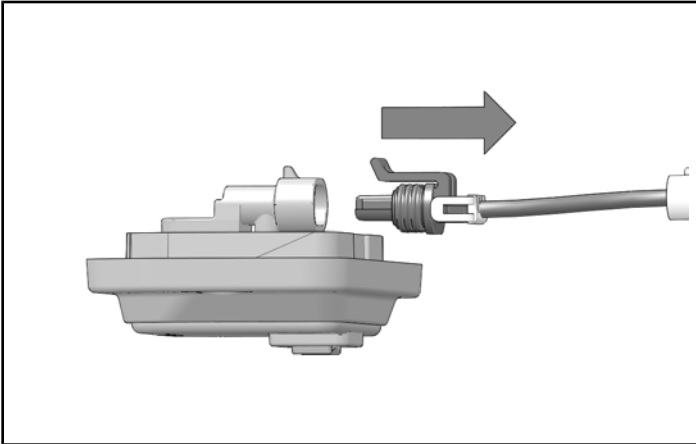


MID ROOF LINER REMOVAL

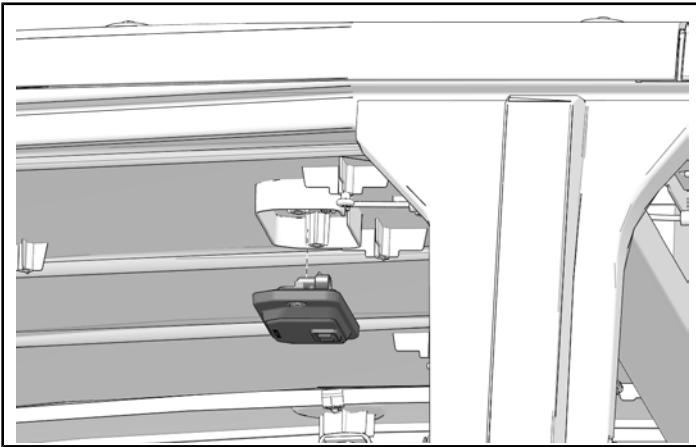
1. Remove and keep two screws to remove dome light.



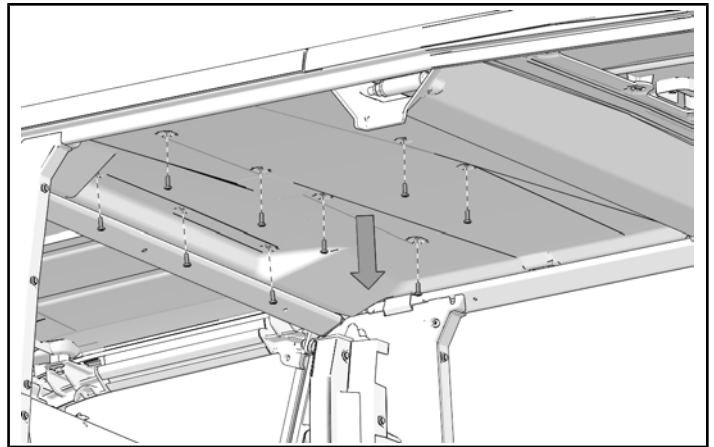
2. Disconnect dome light from wiring harness.



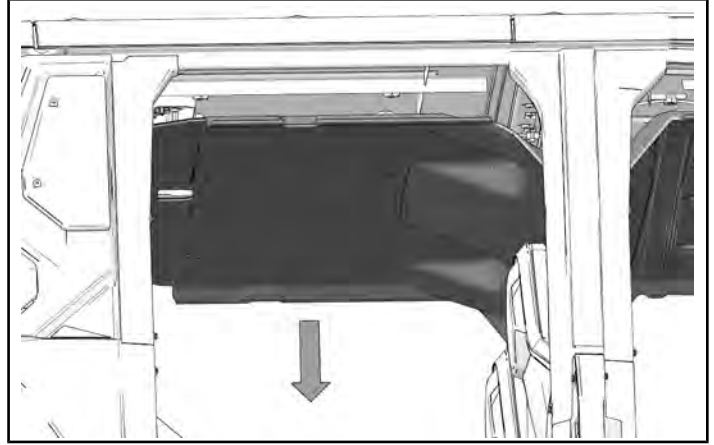
3. Remove and keep dome light.



4. Remove and keep nine screws from mid roof liner.

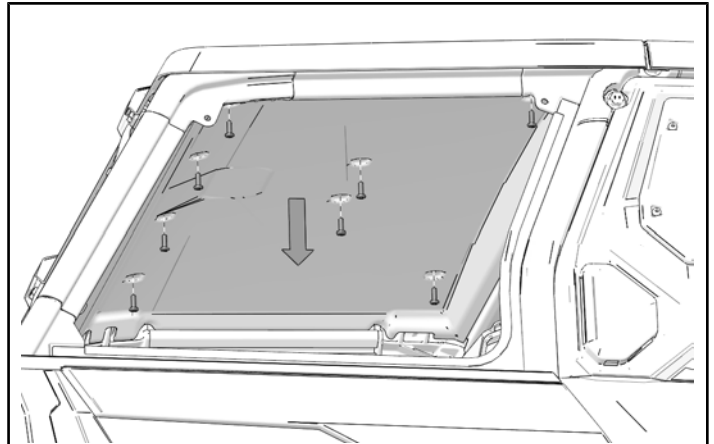


5. Remove mid roof liner.

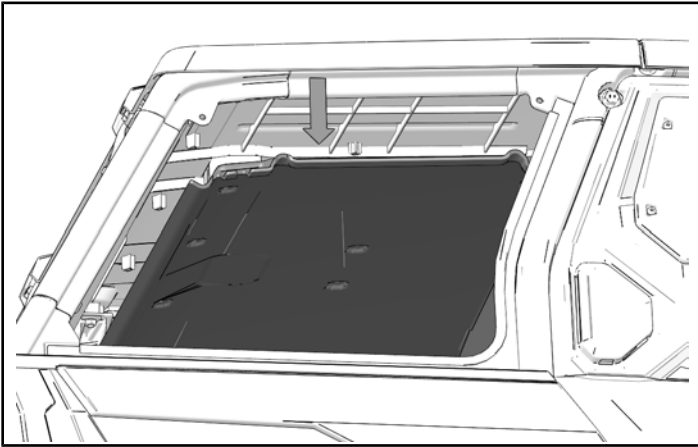


REAR ROOF LINER REMOVAL

1. Remove and keep eight screws from rear liner.

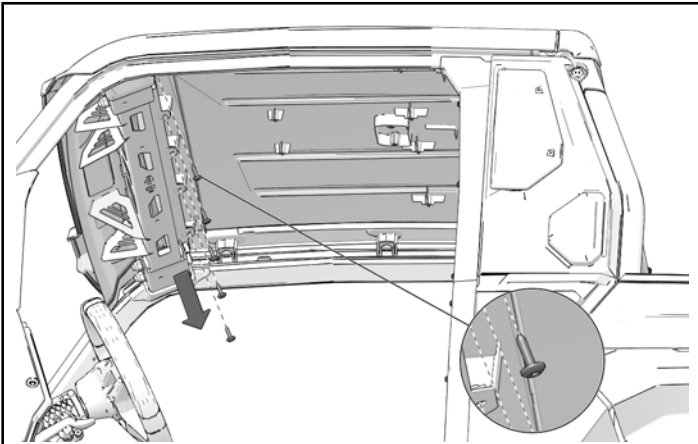


2. Remove rear liner.



REMOVE FRONT ROOF SCREWS

1. Remove and keep five screws from front underside of roof.



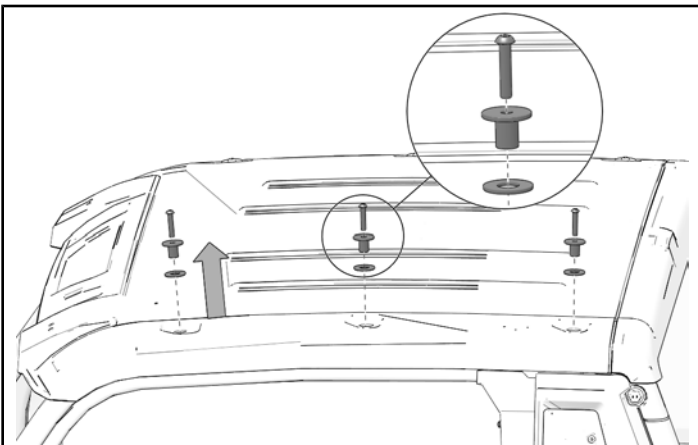
2. Remove and keep three front screws, spacers, and washers from each side of roof.

NOTICE

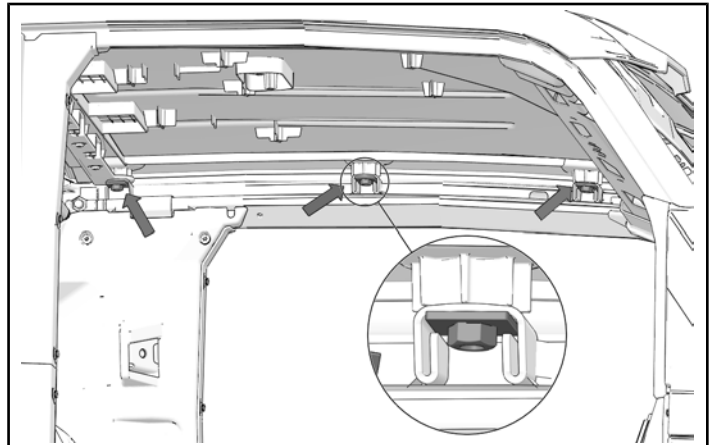
2 passenger vehicle shown; other models similar.

NOTICE

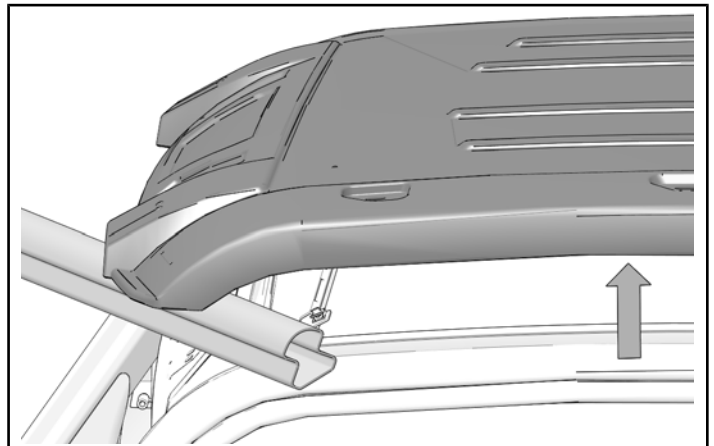
Left side shown; right side similar.



3. Remove and keep three weld nuts from each side of roof underside.



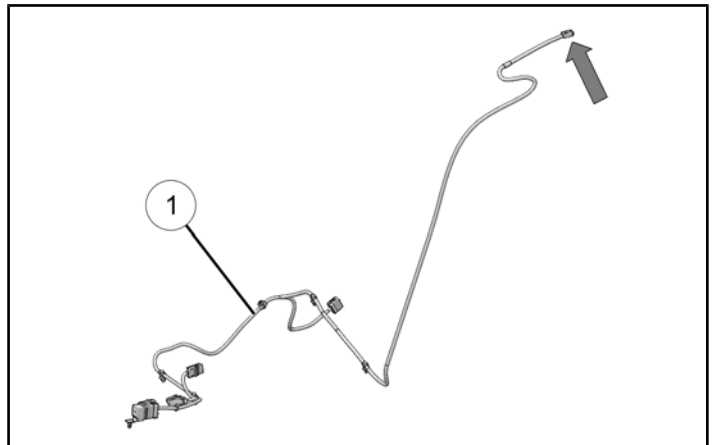
4. Use bar or other appropriate object to prop up corner of roof.



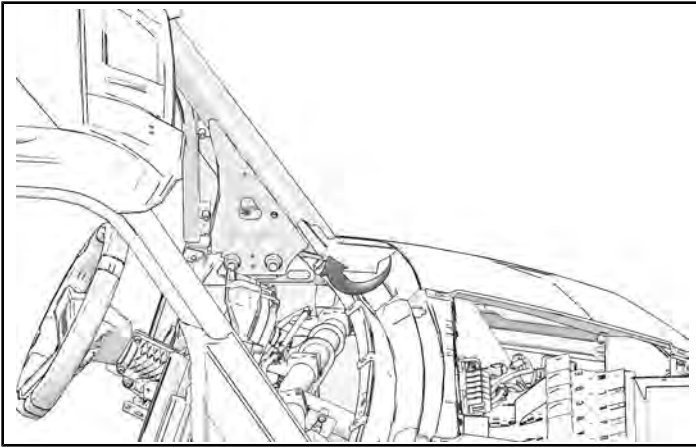
ACCESSORY INSTALLATION

INSTALL HARNESS AND SWITCH

1. Locate end of harness ① shown.



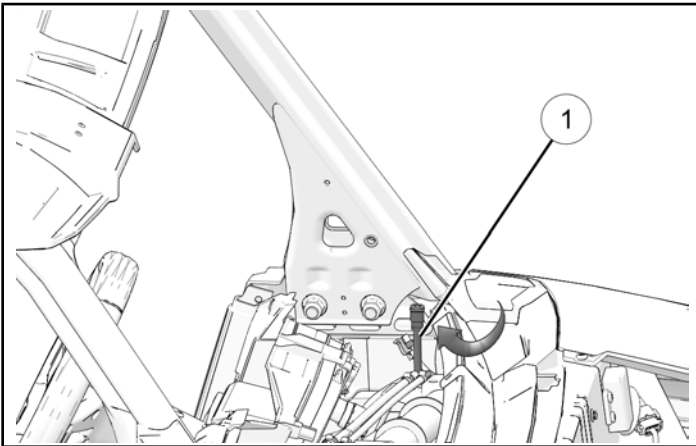
2. Find opening in ROPS at base of left A-pillar tube.



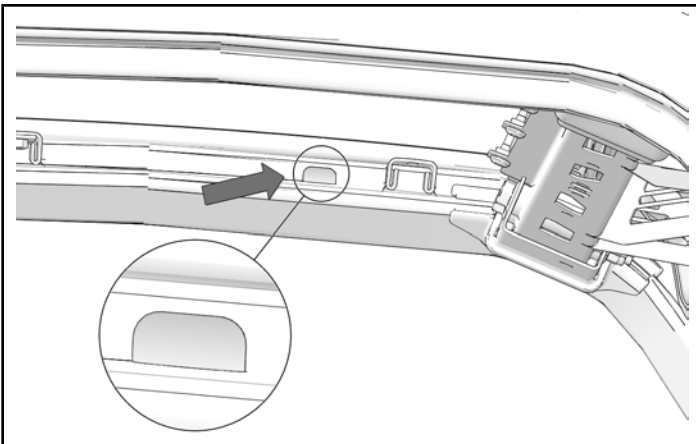
3. Put end of harness ① shown up into opening in ROPS A-pillar.

TIP

If vehicle is equipped with full poly windshield, remove upper windshield mounting hardware to avoid interference between harness and screw inside A-pillar tube.



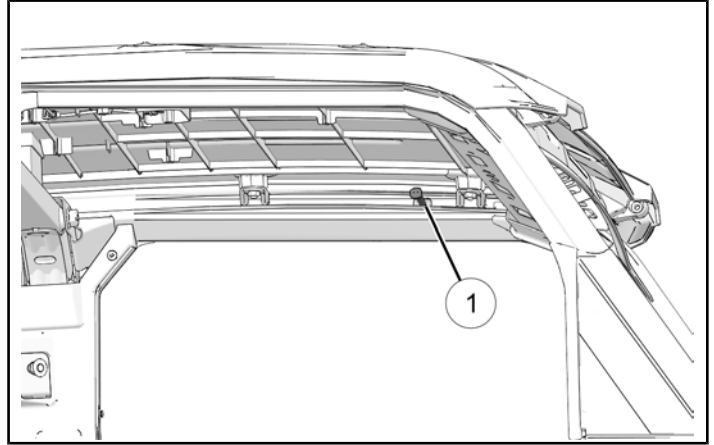
4. Put wiring harness through ROPS A-pillar while watching for end to appear in opening above drivers window area.



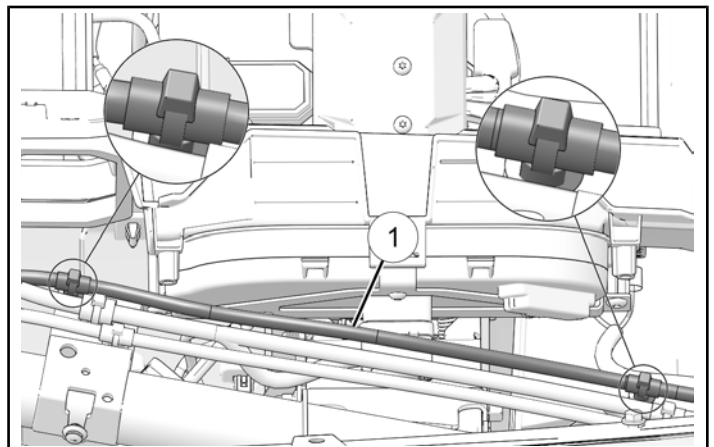
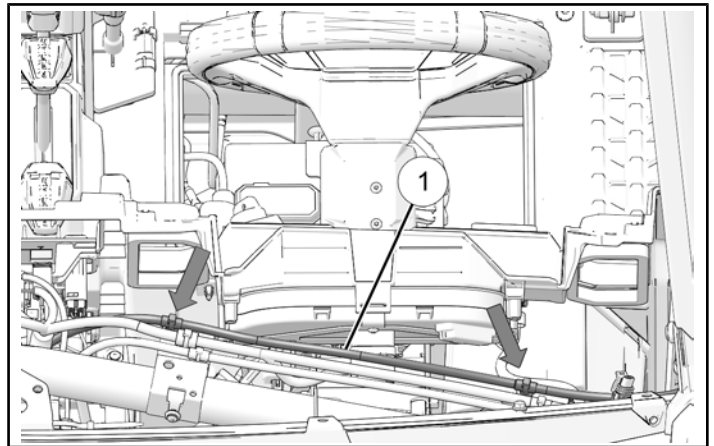
5. Pull end of harness ① through opening in ROPS.

TIP

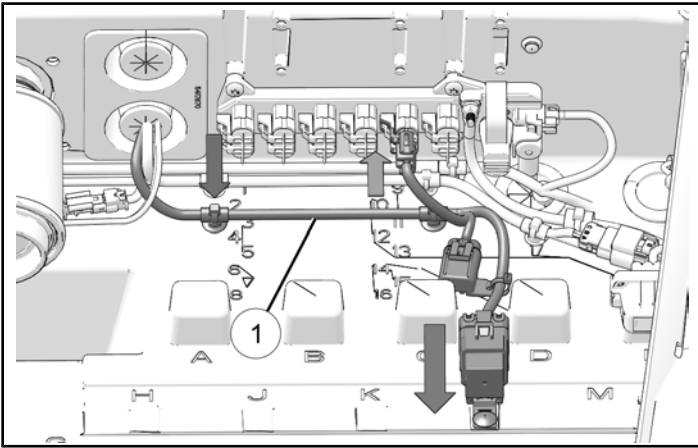
Use a pick or hook tool to help pull end of harness through opening.



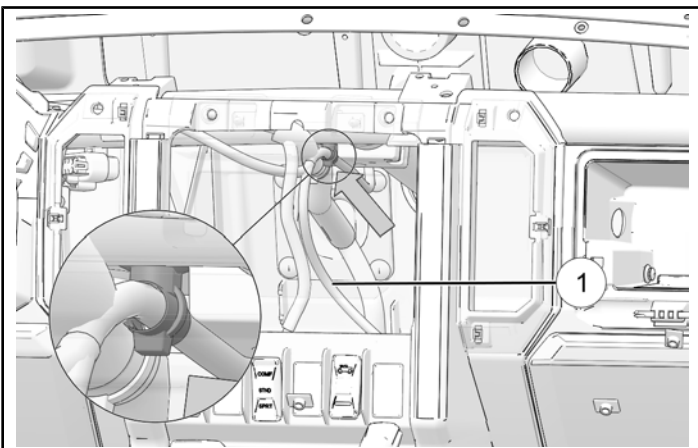
6. Pull harness through A-pillar until connectors at the dashboard end of the harness line up with positions shown. Attach harness ① to frame with push-dart clips.



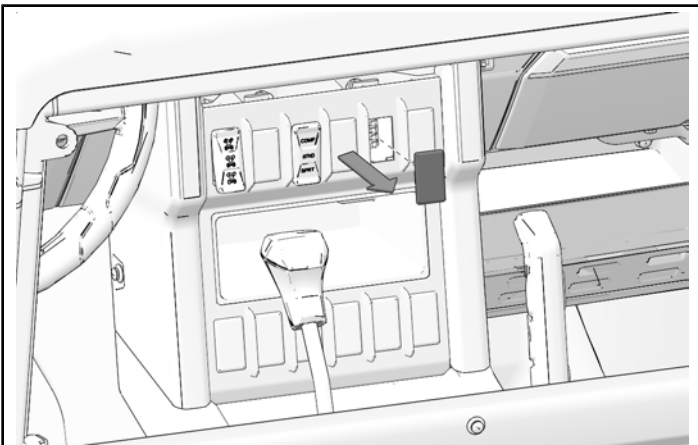
7. Pull end of harness ① containing fuse block, relay, and Pulse® connector through grommet to hood area. Push harness push-dart clips into holes at locations 3 and 11. Install push-dart clip for relay into hole at position L. Connect harness to Polaris Pulse® bar.



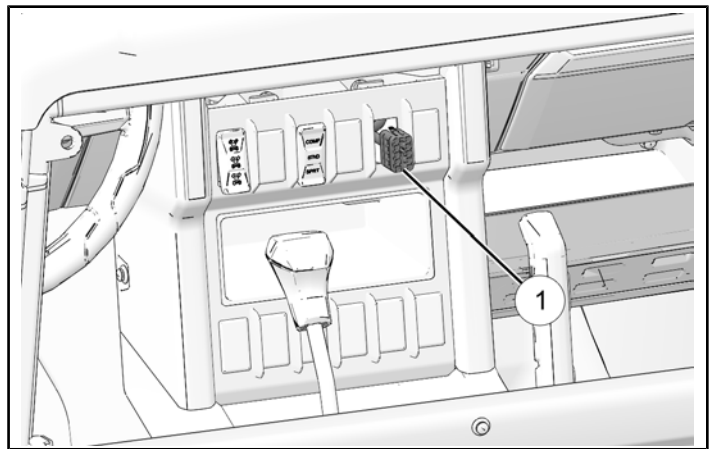
8. Attach harness to mounting point behind head unit opening as shown.



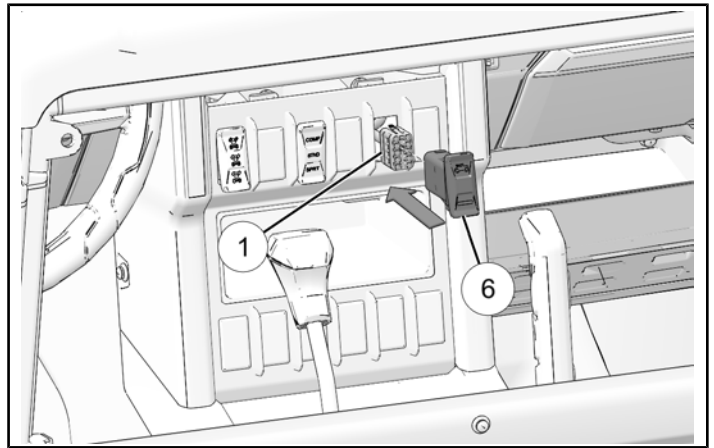
9. Remove switch cover from appropriate opening in dash.



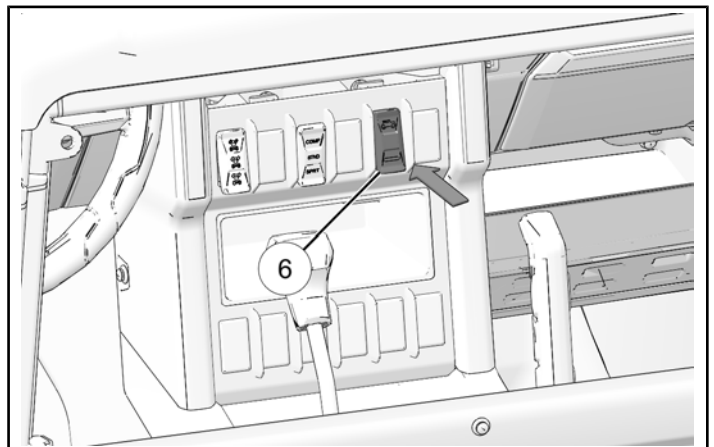
10. Pull harness ① through opening in dash.



11. Connect switch ⑥ to harness ①.



12. Push switch ⑥ into opening until it installs with an audible click.

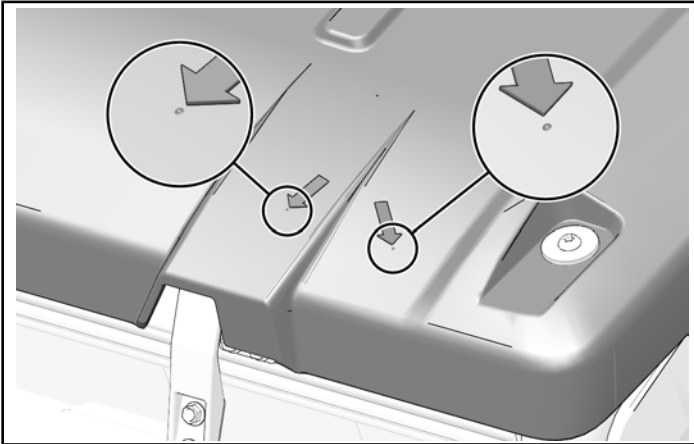


DRILL LIGHT MOUNTING HOLES (ADV MODELS)

1. Find dimples at rear of roof. Use inside dimples for 30, 31, and 32 inch lightbars; or for cube lights. Use outside dimples for 40 inch lightbar.

NOTICE

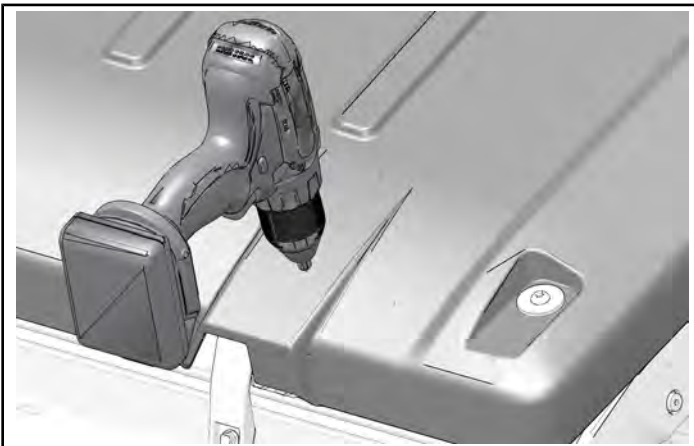
Right side shown; left side similar.



2. Drill holes through selected dimples.

MEASUREMENT

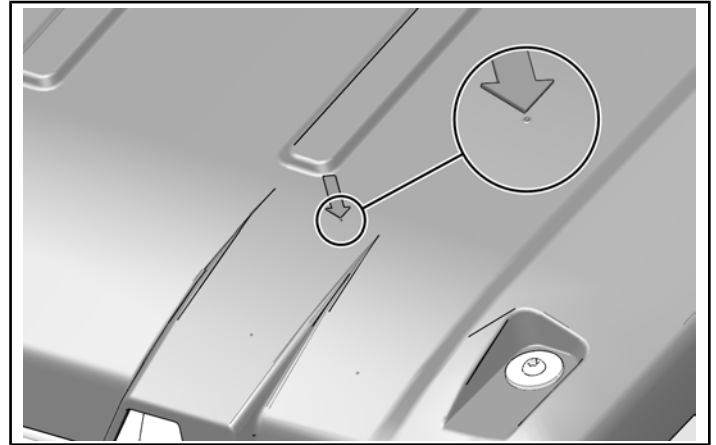
Drill Bit Size:
5/16 in (8 mm)



3. Find grommet drill point in front of dimples. Drill pilot hole at this location.

MEASUREMENT

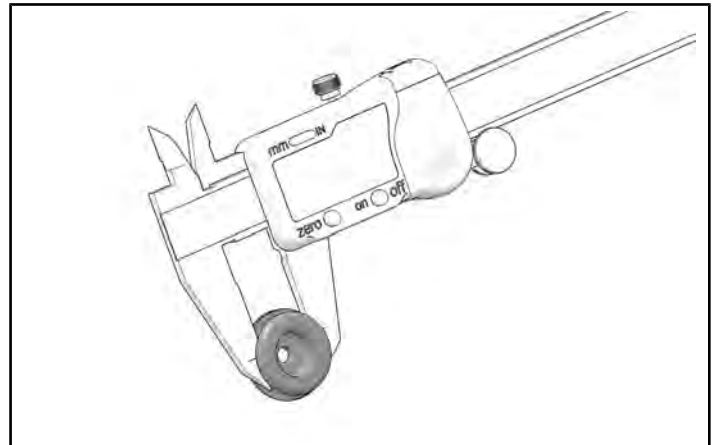
Drill Bit Size:
1/8 in (3 mm)



4. If installing lightbar, proceed to next step. If installing cube lights, repeat Step 3 on left side of roof.
5. Measure grommet that is included with lightbar or cube lights. Size of grommet will determine needed hole size.

NOTICE

Grommets may already be installed on light wiring harnesses.



6. Use appropriate sized drill or hole saw to expand grommet pilot hole to correct size for grommet. Push light harness through hole. Place grommet around light harness and install grommet into hole. Repeat for right side, if needed.

NOTICE

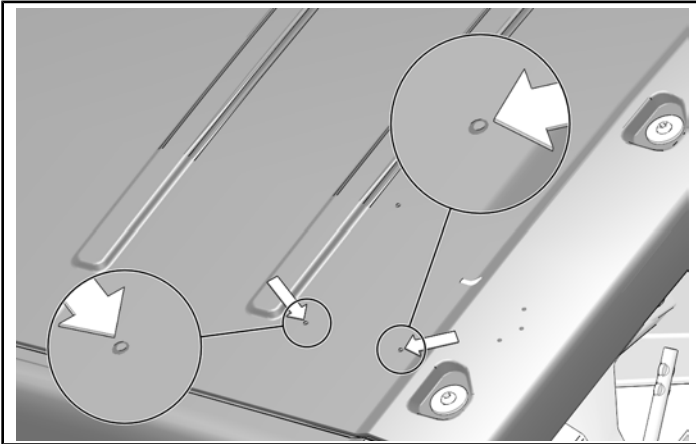
It may be necessary to slit grommet to enable harness connector to fit through grommet.

DRILL LIGHT MOUNTING HOLES (XP MODELS)

1. Find dimples at rear of roof. Use inside dimples for 30, 31, and 32 inch lightbars; or for cube lights. Use outside dimples for 40 inch lightbar.

NOTICE

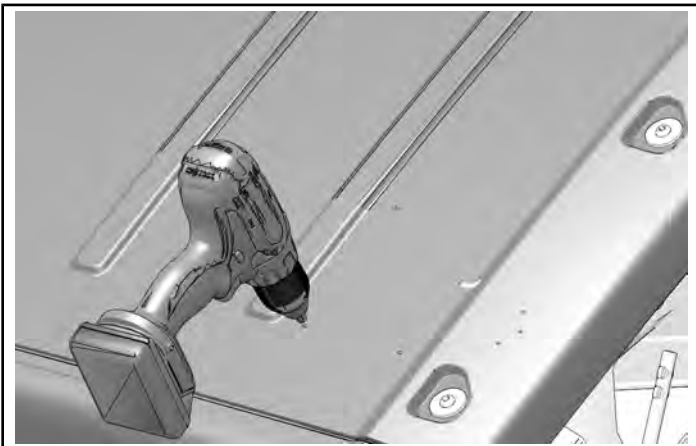
Right side shown; left side similar.



2. Drill holes through selected dimples.

MEASUREMENT

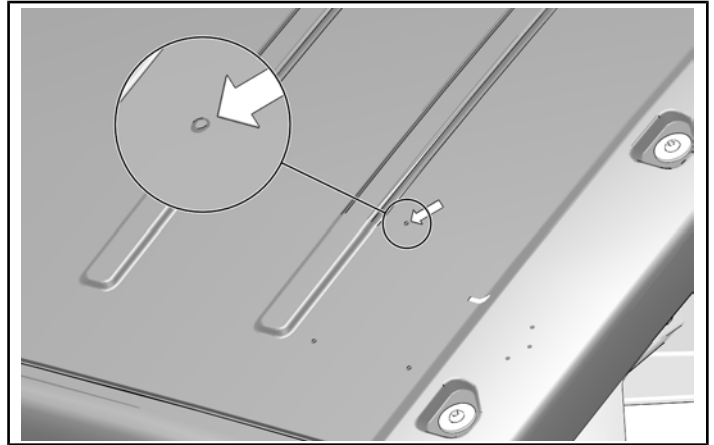
Drill Bit Size:
5/16 in (8 mm)



3. Find grommet drill point in front of dimples. Drill pilot hole at this location.

MEASUREMENT

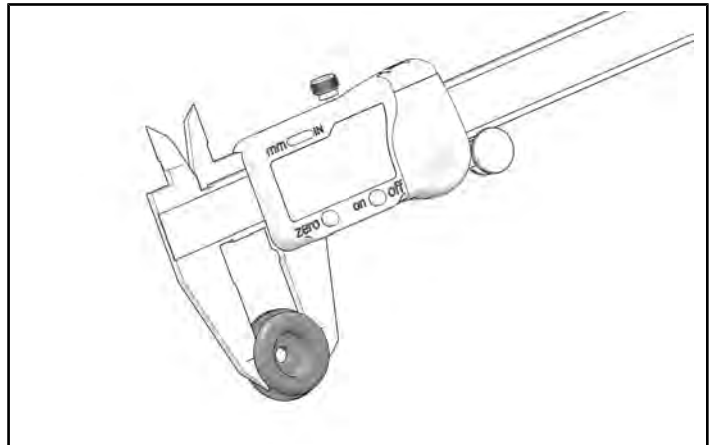
Drill Bit Size:
1/8 in (3 mm)



4. If installing lightbar, proceed to next step. If installing cube lights, repeat Step 3 on left side of roof.
5. Measure grommet that is included with lightbar or cube lights. Size of grommet will determine needed hole size.

NOTICE

Grommets may already be installed on light wiring harnesses.



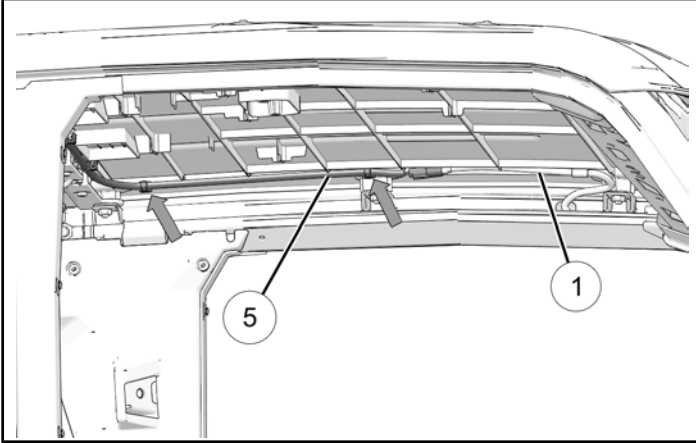
6. Use appropriate sized drill or hole saw to expand grommet pilot hole to correct size for grommet. Push light harness through hole. Place grommet around light harness and install grommet into hole. Repeat for right side, if needed.

NOTICE

It may be necessary to slit grommet to enable harness connector to fit through grommet.

HARNESS INSTALLATION – 2-PASSENGER XP MODELS

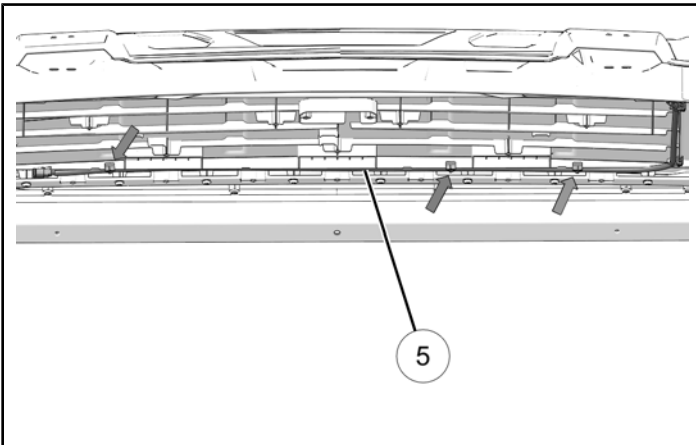
1. Connect harness ⑤ to harness ①. Attach harness ⑤ to roof rib at two points as shown.



2. If installing lightbar, route harness ⑤ across rear of roof. Attach harness to roof rib at three points as shown. Then proceed to Lightbar Installation.

NOTICE

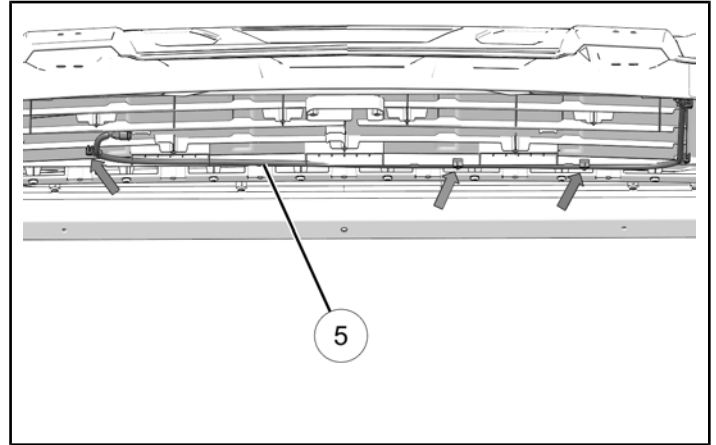
Viewing rear of roof from front.



3. If installing cube lights, route harness ⑤ across rear of roof. Attach harness to roof rib at three points as shown.

NOTICE

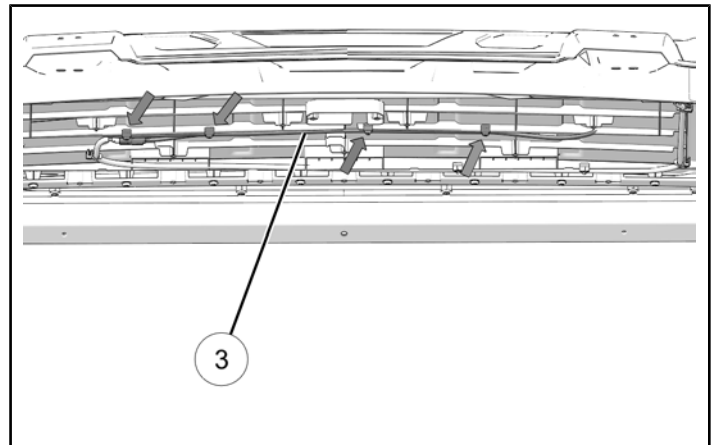
Viewing rear of roof from front.



4. Connect Y-harness ③ to harness ⑤. Attach Y harness to roof ribs at four points as shown. Proceed to Cube Light Installation.

NOTICE

Viewing rear of roof from front.

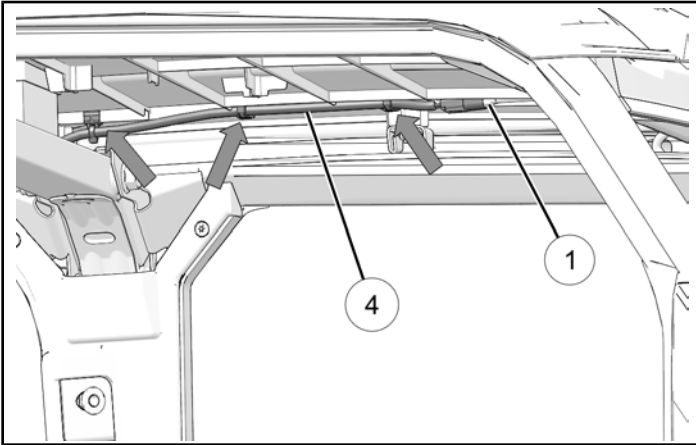


HARNES INSTALLATION – MULTI-PASSENGER XP MODELS & 2-PASSENGER ADV MODELS

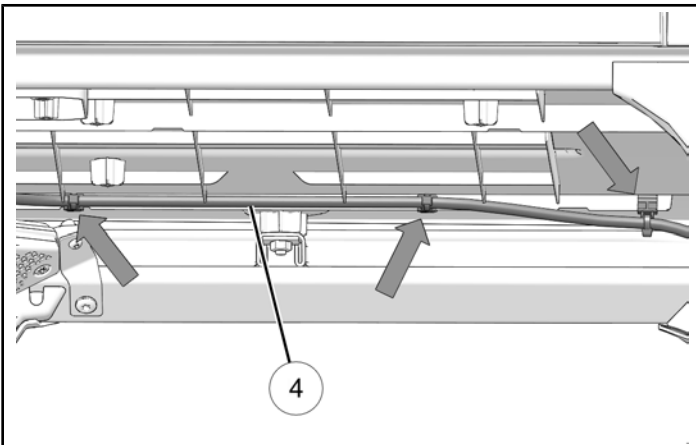
NOTICE

Multi-Passenger XP model shown; 2-Passenger ADV model similar.

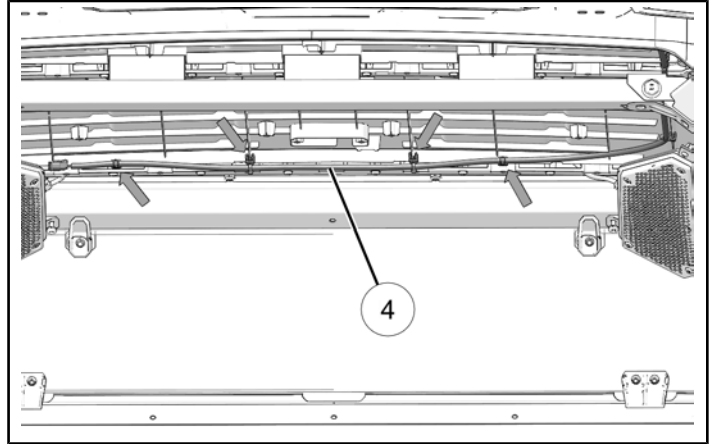
1. Connect harness ④ to harness ①. Attach harness ④ to roof rib at three points as shown.



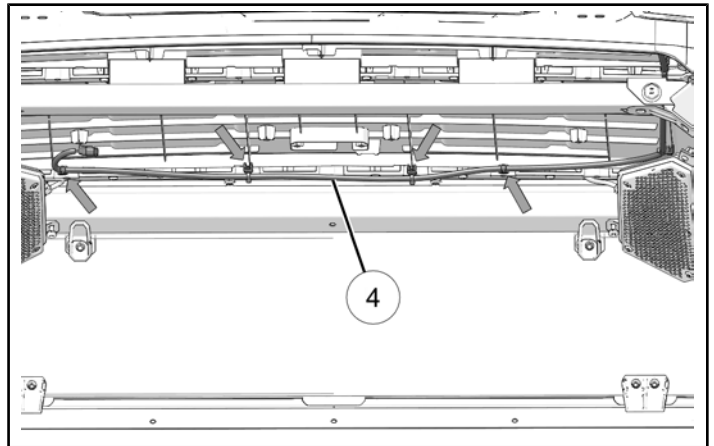
2. Route harness ④ into rear section of vehicle. Attach harness ④ to roof rib at three points as shown.



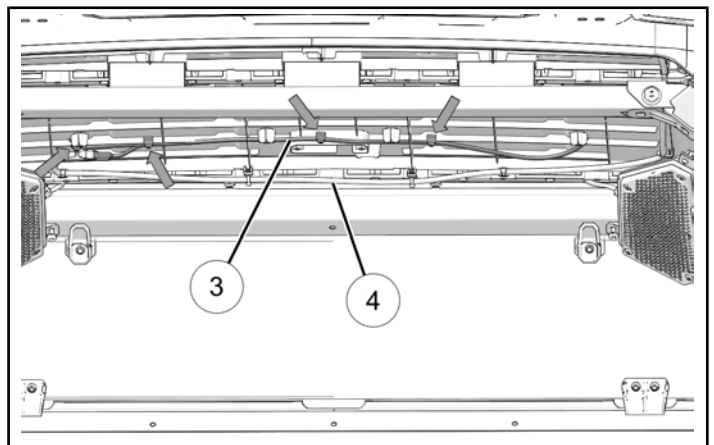
3. If installing lightbar, route harness ④ across rear of roof. Attach harness to roof rib at four points as shown. Then proceed to Lightbar Installation.



4. If installing cube lights, route harness ④ across rear of roof. Attach harness to roof rib at four points as shown.

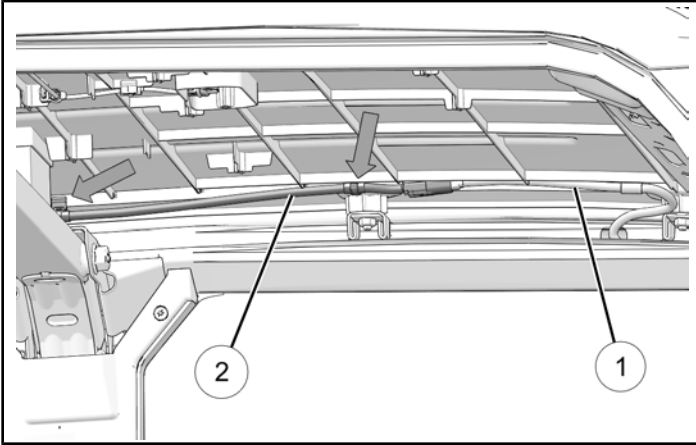


5. Connect Y-harness ③ to harness ④. Attach Y harness to roof ribs at four points as shown. Proceed to Cube Light Installation.

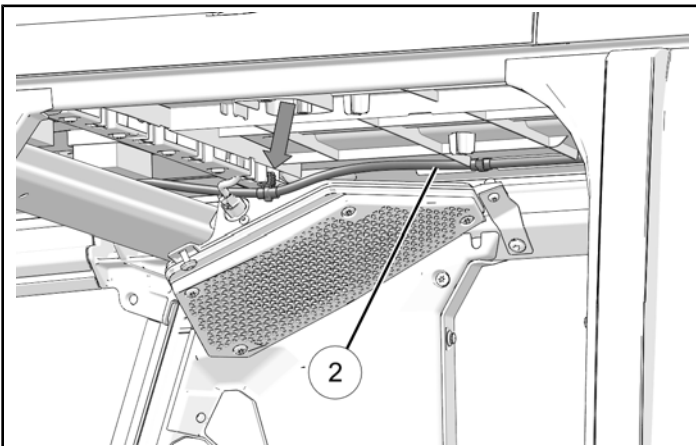
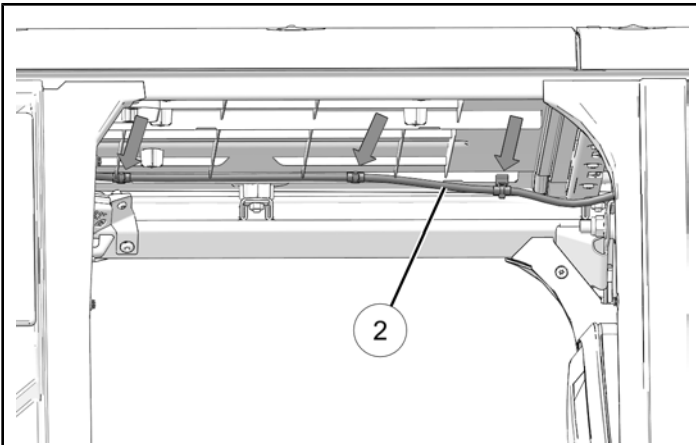


HARNESS INSTALLATION – MULTI-PASSENGER ADV MODELS

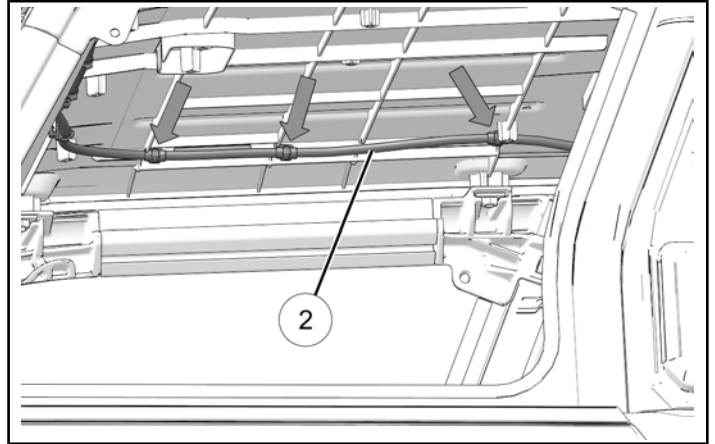
1. Connect harness ② to harness ①. Attach harness ② to roof rib at two points as shown.



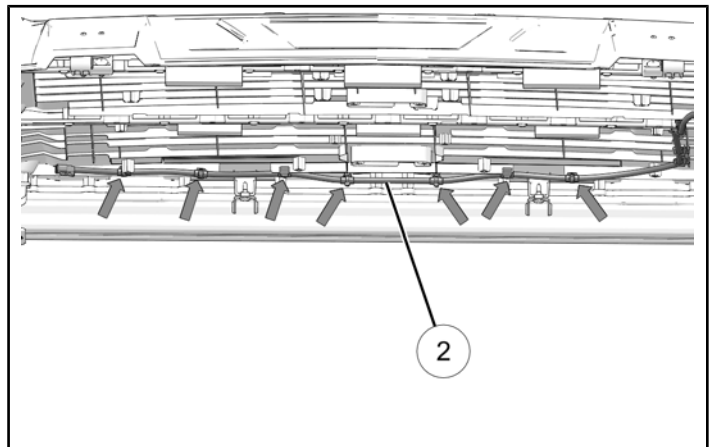
2. Route harness ② into rear section of vehicle. Attach harness ② to roof rib at four points as shown.



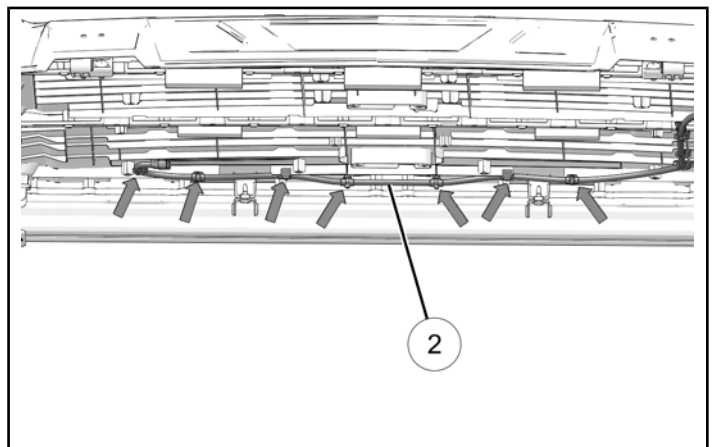
3. Route harness ② into rear section of vehicle. Attach harness ② to roof rib at three points as shown.



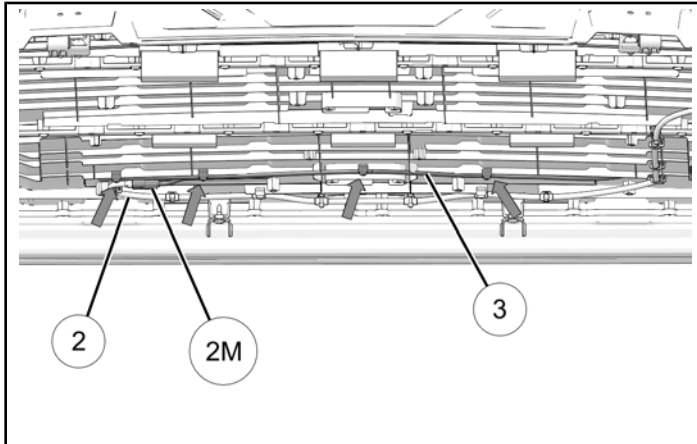
4. If installing lightbar, route harness ② across rear of roof. Attach harness to roof rib at seven points as shown. Then proceed to Lightbar Installation.



5. If installing cube lights, route harness ② across rear of roof. Attach harness to roof rib at seven points as shown.



6. Connect Y-harness ③ connector **2M** to harness ②. Attach Y harness to roof ribs at four points as shown. Proceed to Cube Light Installation.



LIGHTBAR INSTALLATION

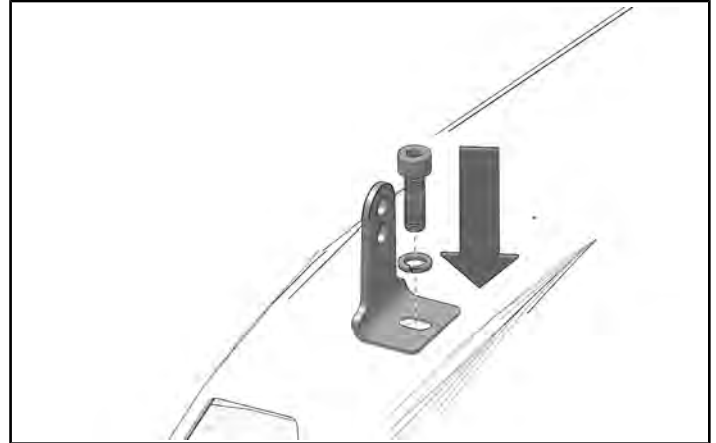
Pro Armor 30" Dual Row LED Light Bar, P/N 2882074

Install lightbar using hardware provided with lightbar.

NOTICE

Right side shown; left side similar

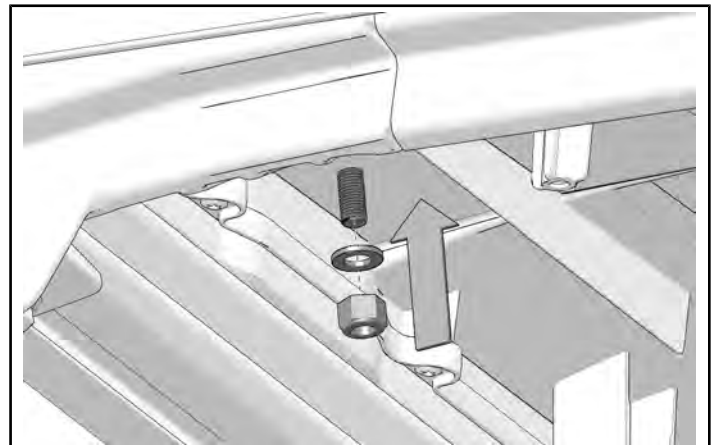
1. Install bracket with M8 x 25 mm screw and lockwasher



2. Install flat washer and nut on underside of roof. Torque nut to specification.

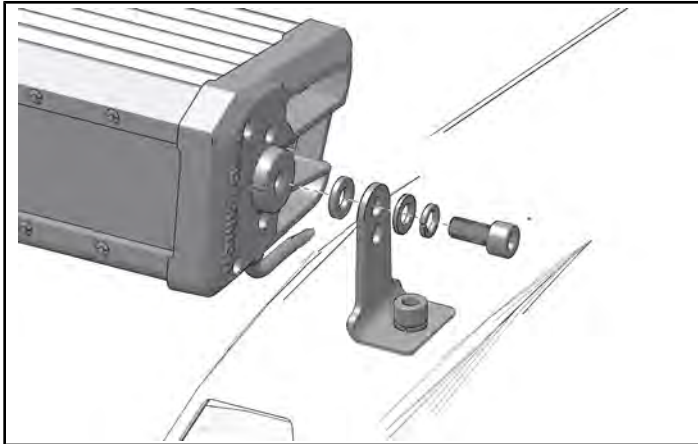
TORQUE

Nut:
15 ft-lbs (20 N·m)



- Attach lightbar. Install serrated washer between lightbar and bracket. Install M8 x 16 mm screw, lockwasher, and flat washer. Tighten screw to specification.

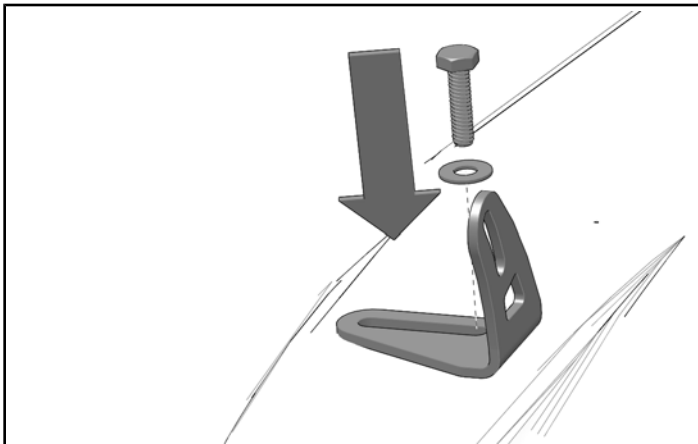
TORQUE
Lightbar Screw:
14 ft-lbs (19 N·m)



Rigid® 32" Combo LED Light Bar, P/N 2884299
Install lightbar using hardware provided with lightbar.

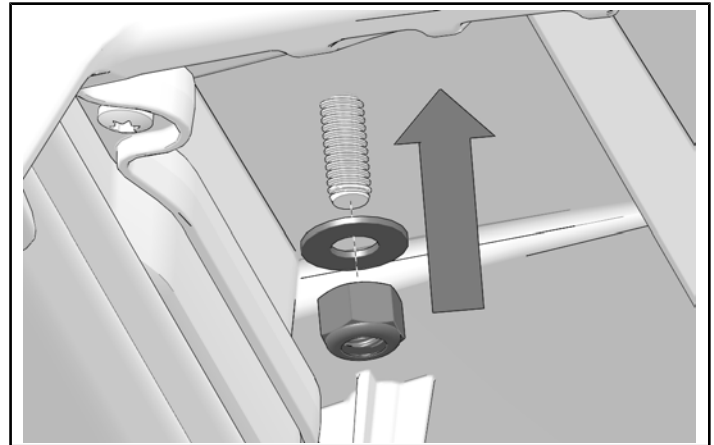
NOTICE
Right side shown; left side similar

- Install bracket with screw and flat washer



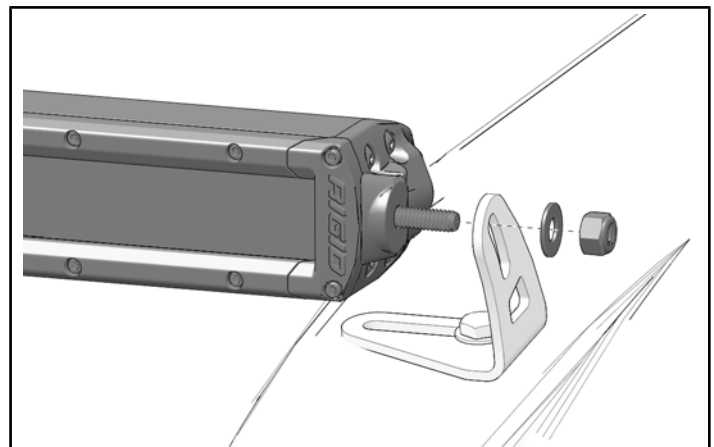
- Install flat washer and nut on underside of roof. Torque nut to specification.

TORQUE
Nut:
15 ft-lbs (20 N·m)



- Attach lightbar with nut and flat washer. Tighten nut to specification.

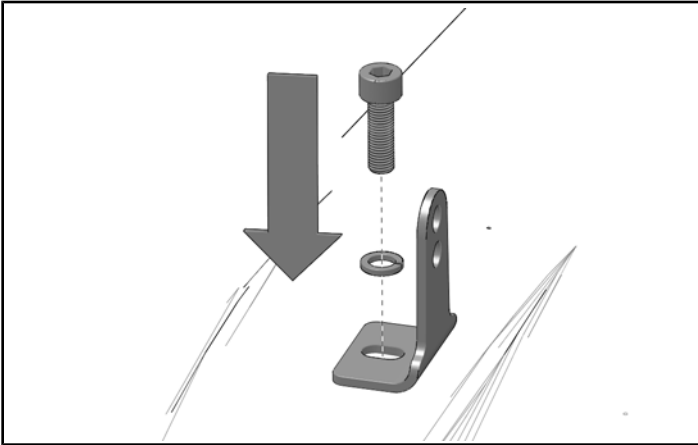
TORQUE
Lightbar Nut:
16 ft-lbs (22 N·m)



Pro Armor 33" Combo LED Light Bar, P/N 2882077
Install lightbar using hardware provided with lightbar.

NOTICE
Right side shown; left side similar

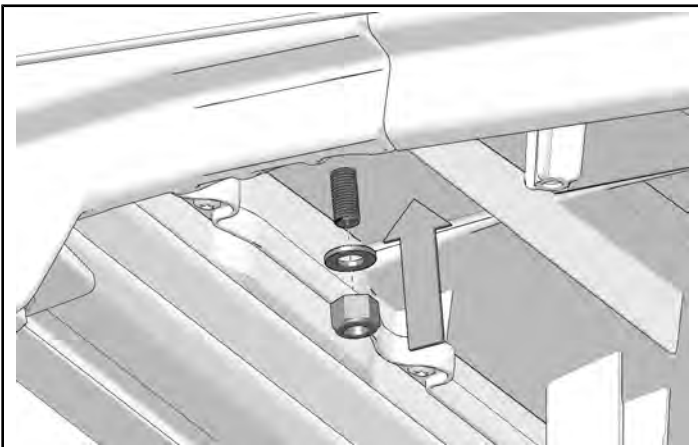
1. Install bracket with M8 x 25 mm screw and lockwasher



2. Install flat washer and nut on underside of roof. Torque nut to specification.

TORQUE

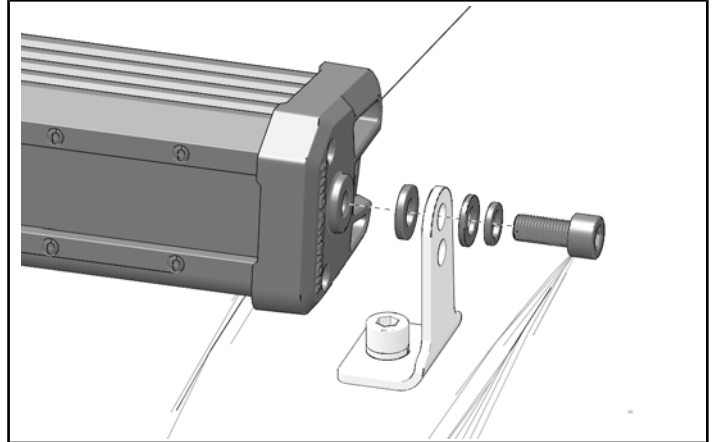
Nut:
15 ft-lbs (20 N·m)



3. Attach lightbar. Install serrated washer between lightbar and bracket. Install M8 x 16 mm screw, lockwasher, and flat washer. Tighten screw to specification.

TORQUE

Lightbar Screw:
14 ft-lbs (19 N·m)



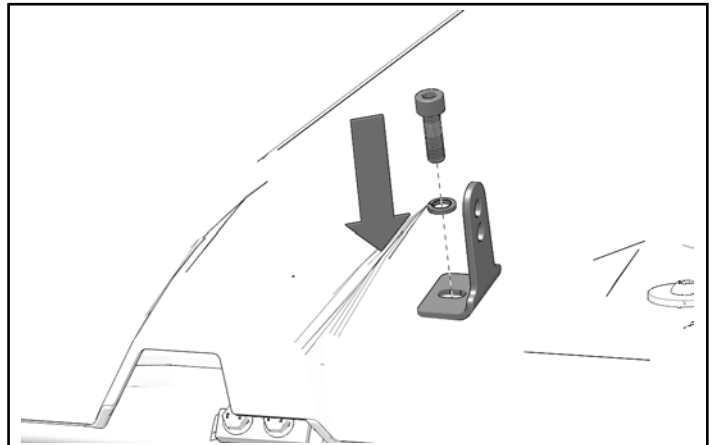
Pro Armor 33" Combo LED Light Bar, P/N 2882763

Install lightbar using hardware provided with lightbar.

NOTICE

Right side shown; left side similar

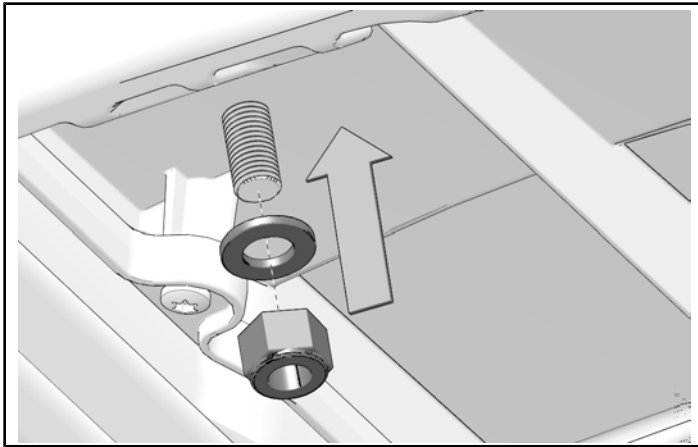
1. Install bracket with M8 x 25 mm screw and lockwasher



2. Install flat washer and nut on underside of roof. Torque nut to specification.

TORQUE

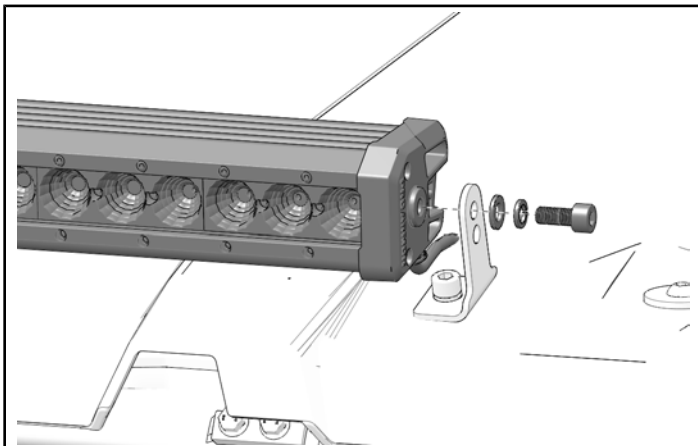
Nut:
15 ft-lbs (20 N·m)



3. Attach lightbar. Install M8 x 18 mm screw, lockwasher, and flat washer. Tighten screw to specification.

TORQUE

Lightbar Screw:
14 ft-lbs (19 N·m)



CUBE LIGHT INSTALLATION

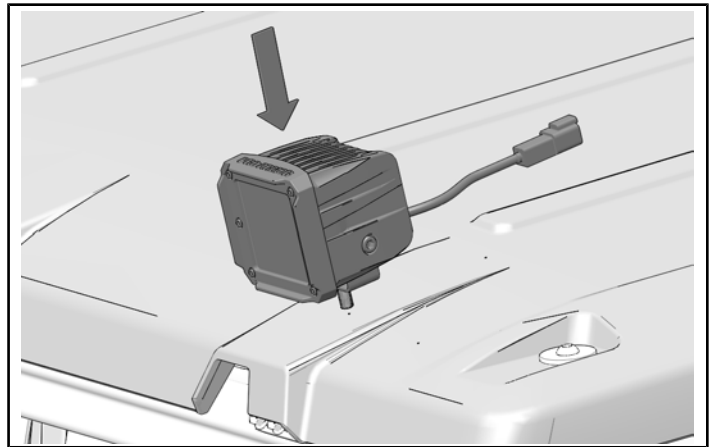
Pro Armor Cube LED Lights

Install cube lights using hardware provided with cube lights.

NOTICE

Right side shown; left side similar

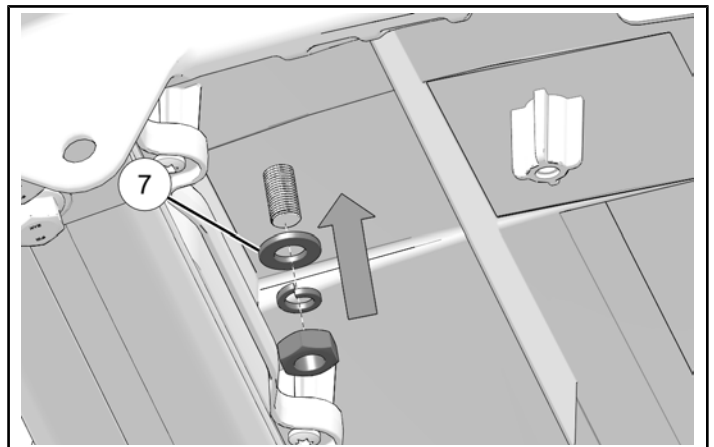
1. Install cube light through hole in roof.



2. Install flat washer ⑦, lockwasher, and nut on underside of roof. Torque nut to specification.

TORQUE

Nut:
15 ft-lbs (20 N·m)



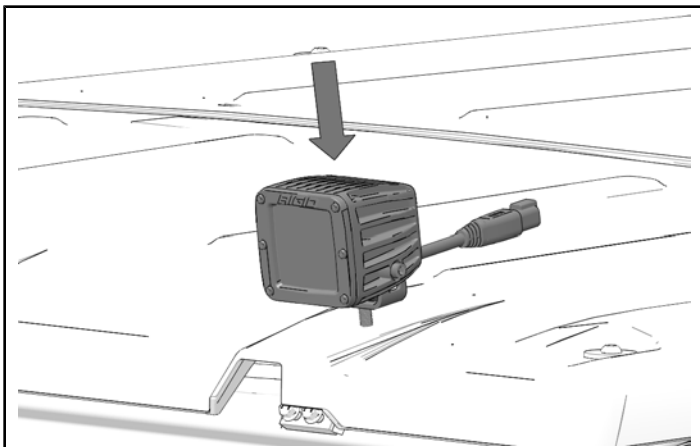
Rigid® Cube LED Lights

Install cube lights using hardware provided with cube lights.

NOTICE

Right side shown; left side similar

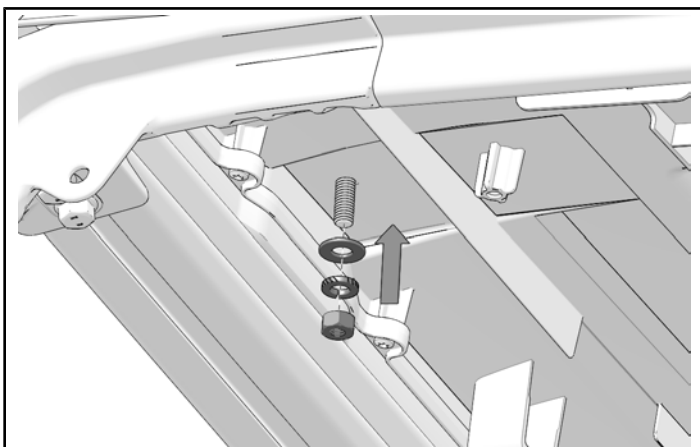
1. Install cube light through hole in roof.



2. Install flat washer, lockwasher, and nut on underside of roof. Torque nut to specification.

TORQUE

Nut:
15 ft-lbs (20 N·m)



VEHICLE REASSEMBLY

INSTALL FRONT ROOF SCREWS

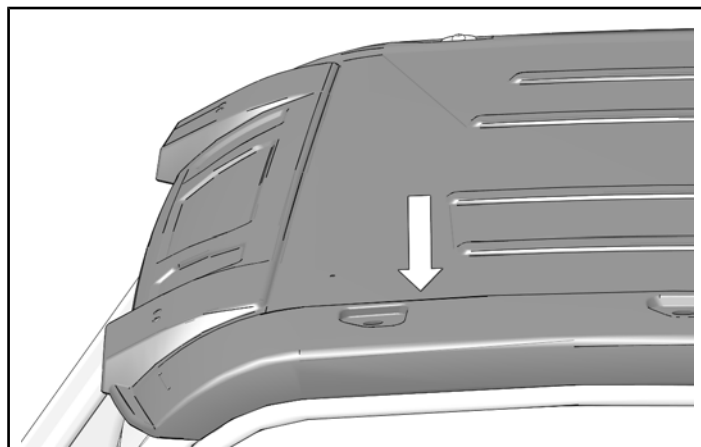
1. Remove any object propping up corner of roof. Lay roof flat on vehicle.

NOTICE

2 passenger vehicle shown; other models similar.

NOTICE

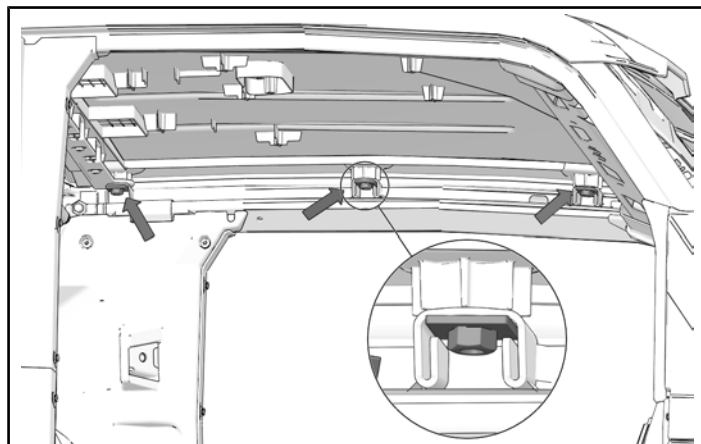
Left side shown; right side similar.



2. Install three weld nuts on each side of roof underside.

TIP

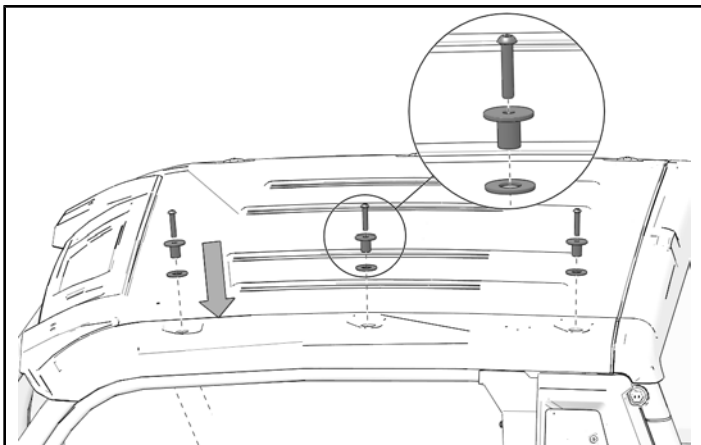
On 2 passenger vehicle only, rear nut on each side will need to be held in place while starting screw in nut. All other nuts will be held in place by brackets on ROPS.



3. Install three washers, spacers, and screws on each side of roof. Tighten screws to specification.

TORQUE

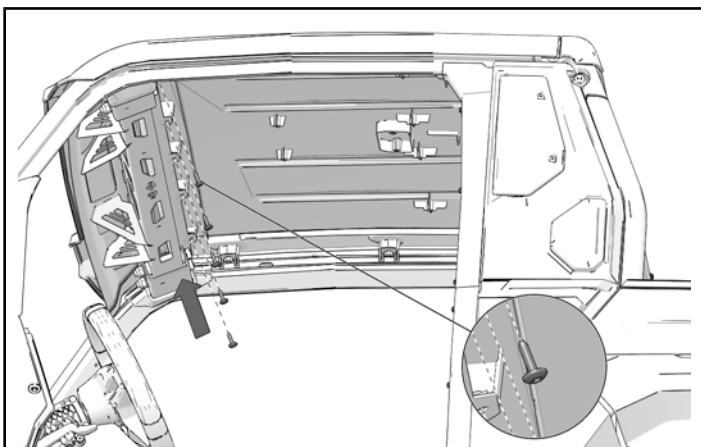
Roof Screws:
18 ft-lbs (25 N·m)



4. Install five screws in underside of roof. Torque screws to specification.

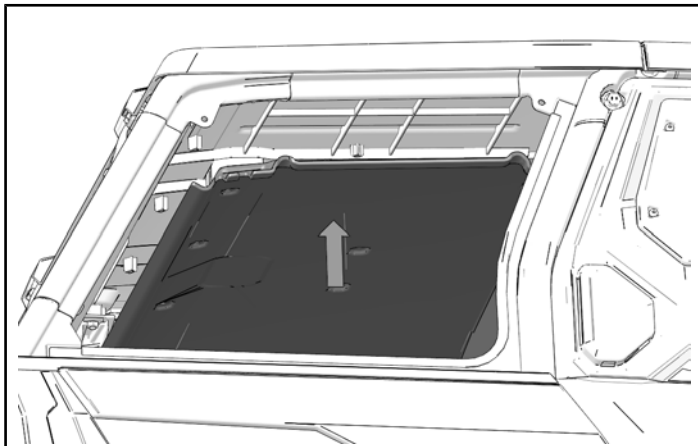
TORQUE

Roof Screws:
42 in-lbs (4.7 N·m)



REAR ROOF LINER INSTALLATION

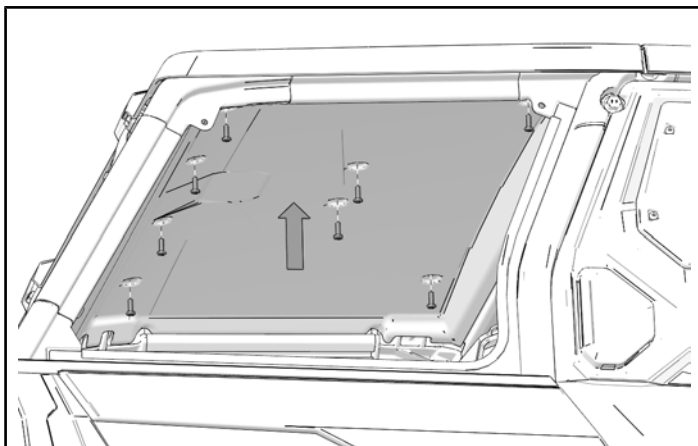
1. Install rear roof liner.



2. Install eight screws in roof liner. Torque screws to specification.

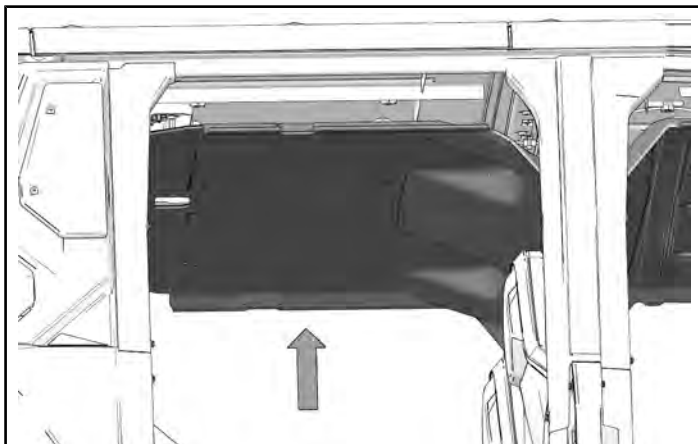
TORQUE

Roof Liner Screws:
27 in-lbs (3 N·m)



MID ROOF LINER INSTALLATION

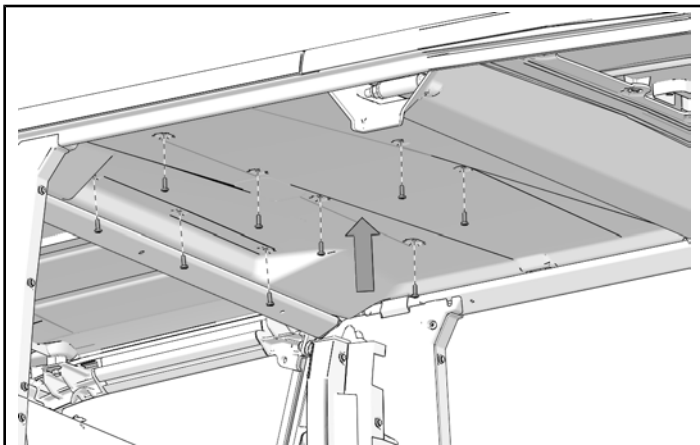
1. Install mid roof liner.



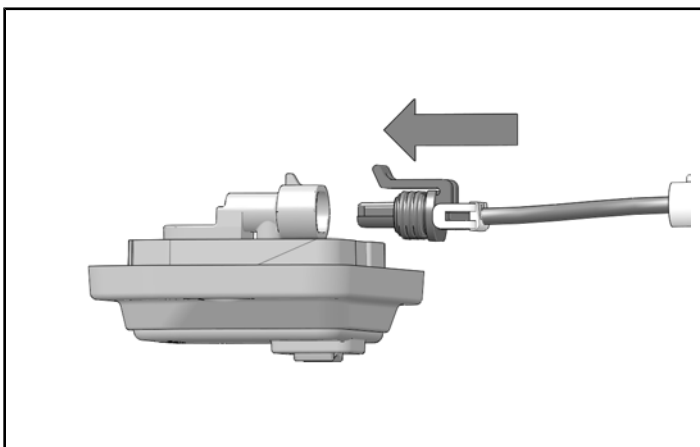
2. Install nine screws in top of roof liner. Torque screws to specification.

TORQUE

Roof Liner Screws:
27 in-lbs (3 N·m)



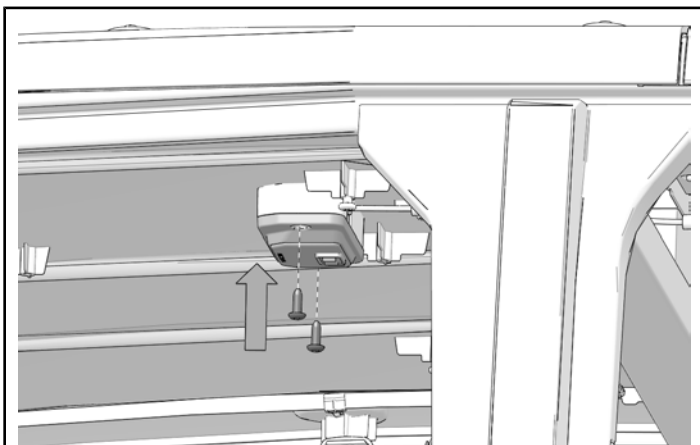
3. Connect wiring harness to dome light.



4. Install dome light with two screws. Torque screws to specification.

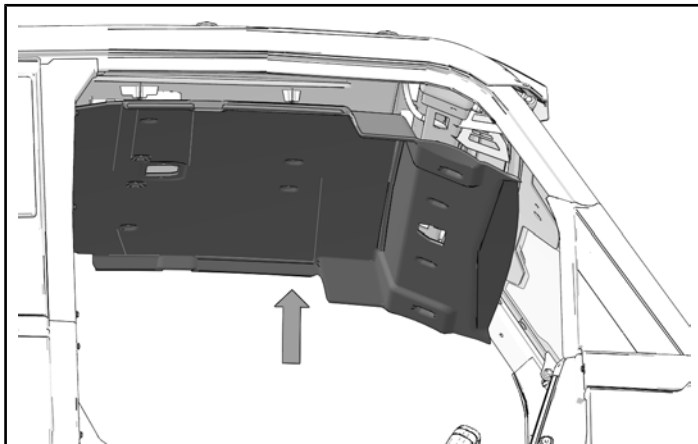
TORQUE

Dome Light Screws:
22 in-lbs (2.5 N·m)



FRONT ROOF LINER INSTALLATION

1. Install front roof liner.



2. Install six screws in top of roof liner and four screws in front of roof liner. Torque screws to specification.

NOTICE

Vehicles that are not equipped with rearview mirror will have a fifth screw at front of roof liner.

NOTICE

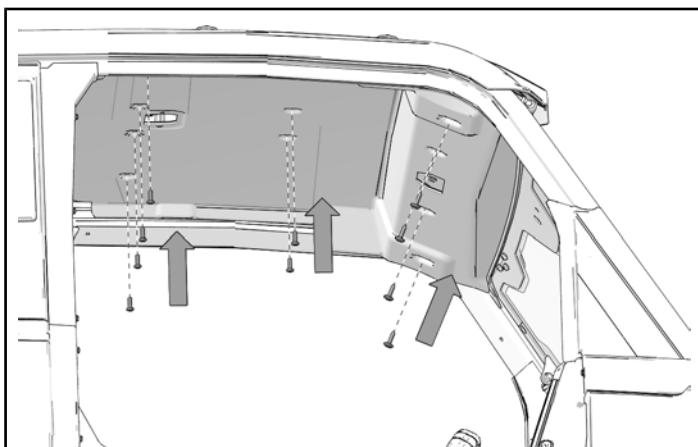
Vehicles equipped with 2-passenger cab will have three additional screws near rear of roof liner.

TORQUE

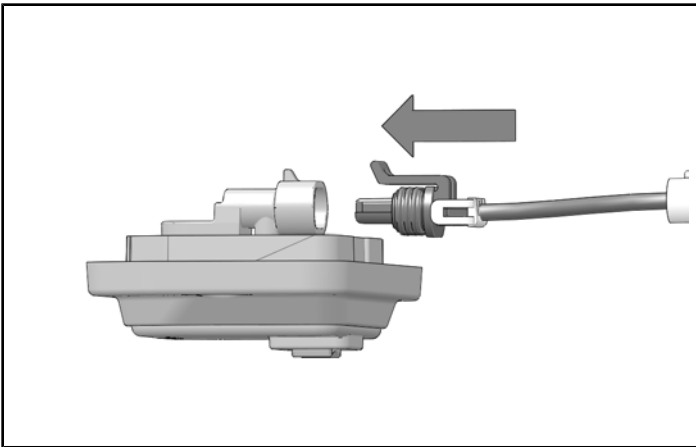
Top Roof Liner Screws:
27 in-lbs (3 N·m)

TORQUE

Front Roof Liner Screws:
44 in-lbs (5 N·m)



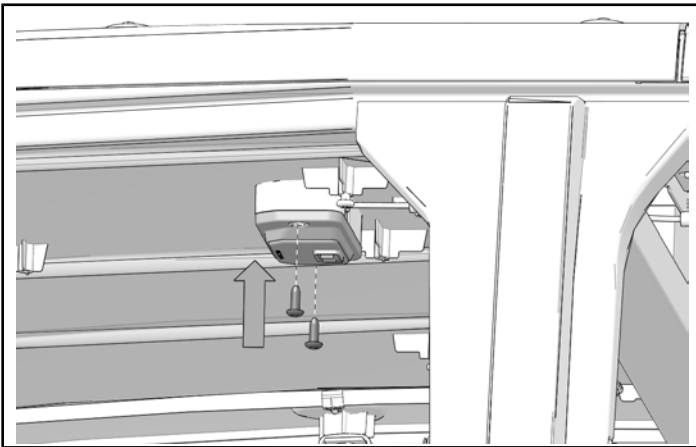
3. Connect wiring harness to dome light.



4. Install dome light with two screws. Torque screws to specification.

TORQUE

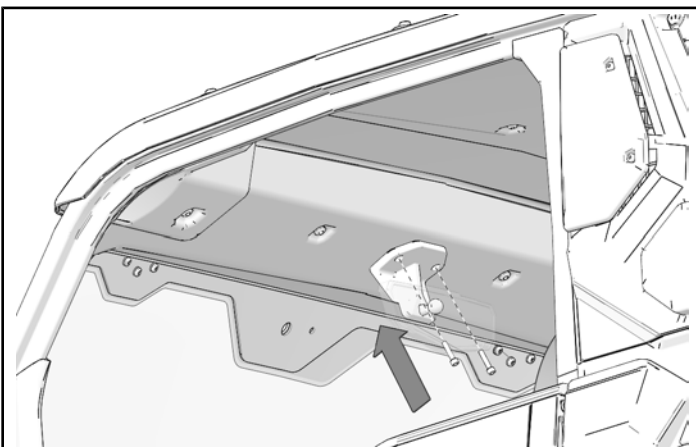
Dome Light Screws:
22 in-lbs (2.5 N·m)



5. Install rearview mirror assembly with two screws. Torque screws to specification.

TORQUE

Mirror Screws:
31 in-lbs (3.5 N·m)



REAR SPEAKER INSTALLATION

1. Install speaker using the kept screws. Torque screws to specification.

TORQUE

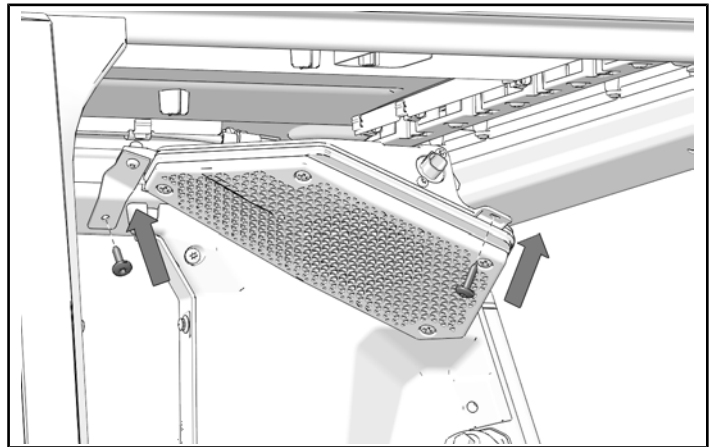
Speaker Mounting Screws:
44 in-lbs (5 N·m)

NOTICE

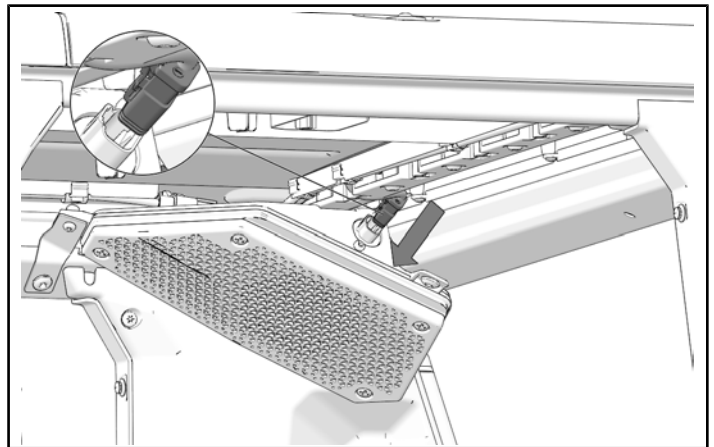
Right side shown; left side similar.

TIP

Top of speaker has a shape that engages a space in ROPS. Make sure speaker is fully seated in this space before installing screws.

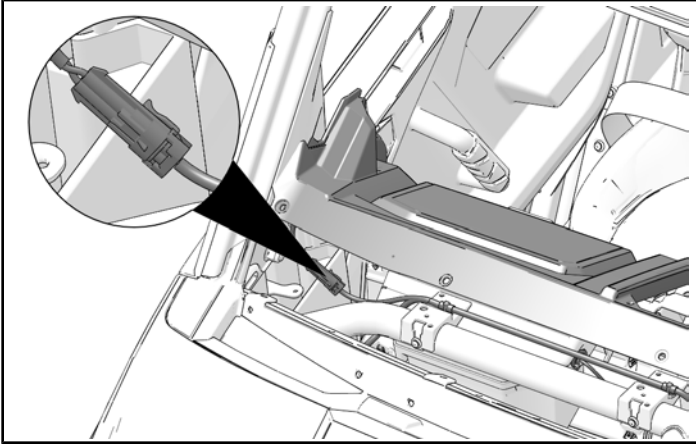


2. Connect the wiring harness to the speaker.



INSTALL DASH COVER

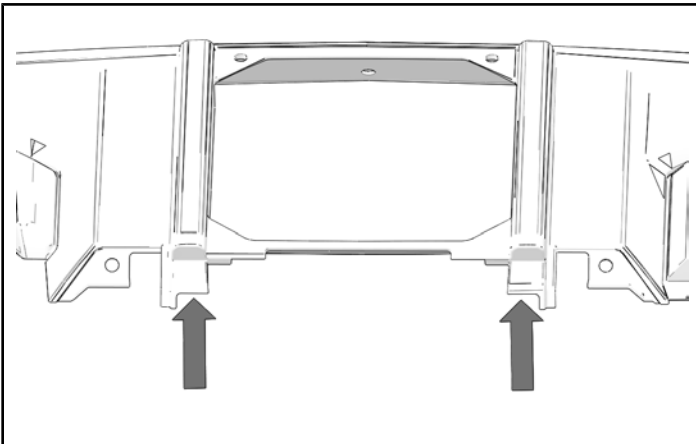
1. Connect speaker wires if necessary.



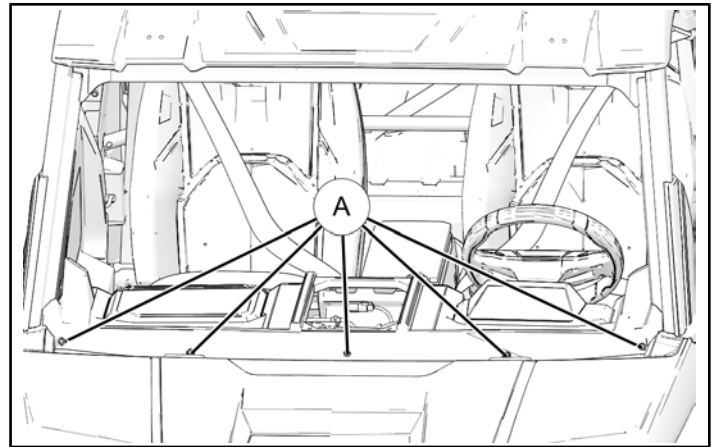
2. Put front of dash cover in position and set into place. Make sure center of dash is placed in slots on vehicle.

TIP

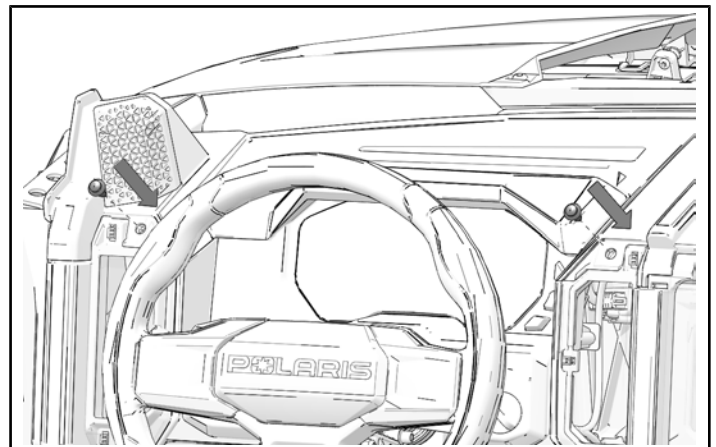
If head unit/storage bin was not removed, make sure these tabs are inserted behind the head unit trim.



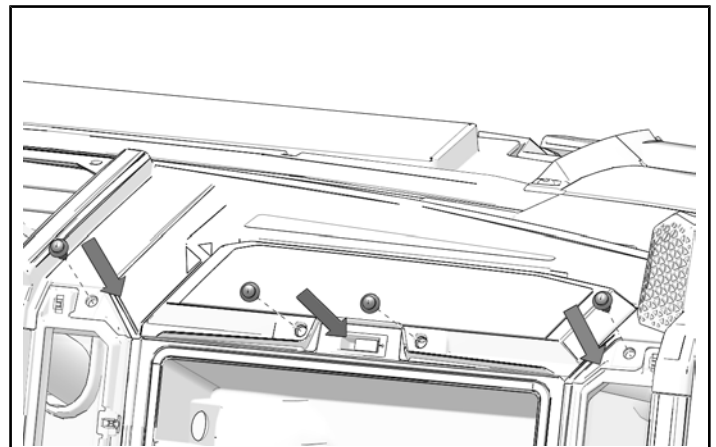
3. Install five push screws (A).



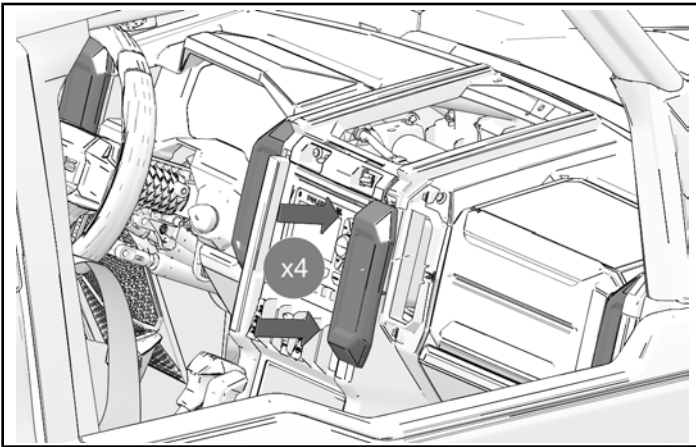
4. Install two push pin rivets on drivers side of dash cover.



5. Install four push pin rivets on passenger side of dash cover.



6. Install four dash vent covers. Push evenly at top and bottom to install.



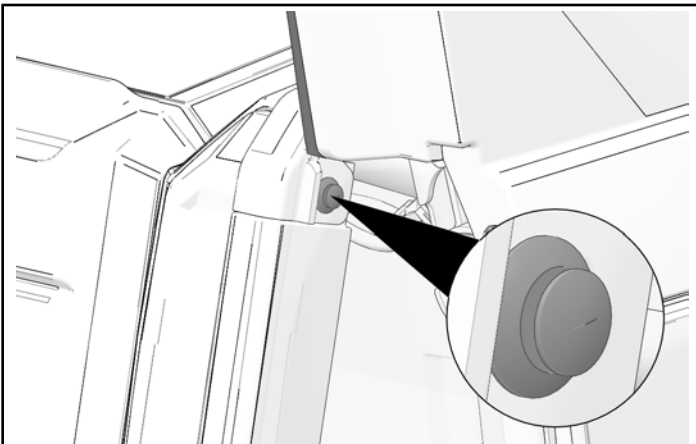
7. Install one push pin rivet at each side of dash.

NOTICE

A-pillar trim hidden for clarity.

NOTICE

Right side shown; left side similar.



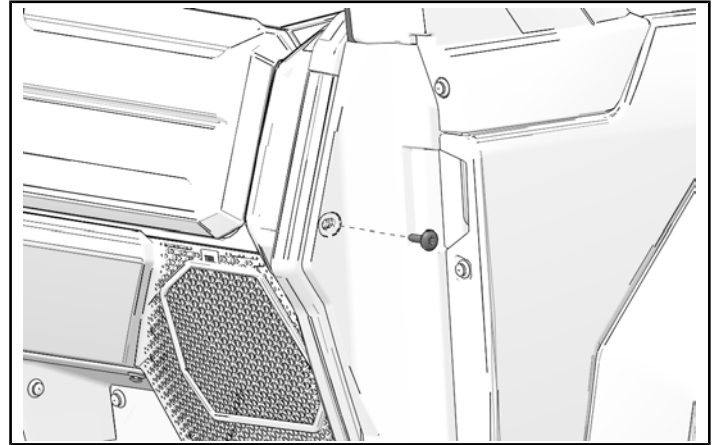
8. Install one screw at each side of dash. Torque to specification.

NOTICE

Right side shown; left side similar.

TORQUE

Dash Screws:
26.5 in-lbs (3 N·m)

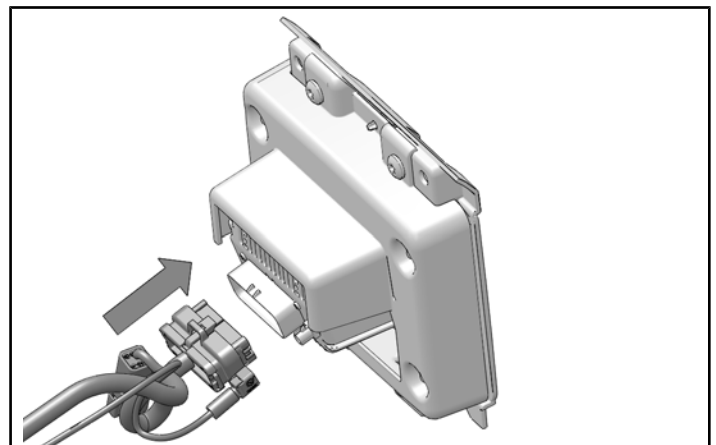


HEAD UNIT INSTALLATION

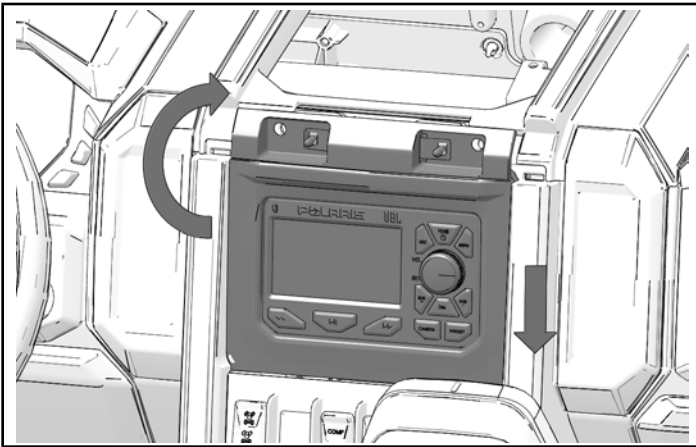
NOTICE

Base audio head unit installation shown. Ride Command® display installation similar.

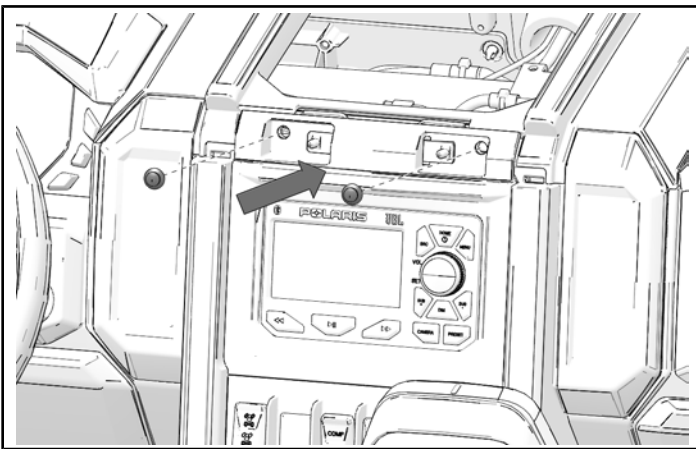
1. Attach wiring harness and antenna to head unit.



- Put bottom of head unit into position. Push top of head unit into dash.

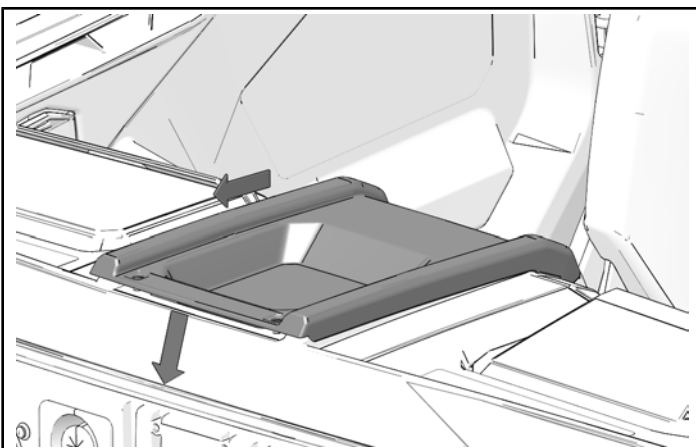


- Install two push-pin rivets into top of head unit.

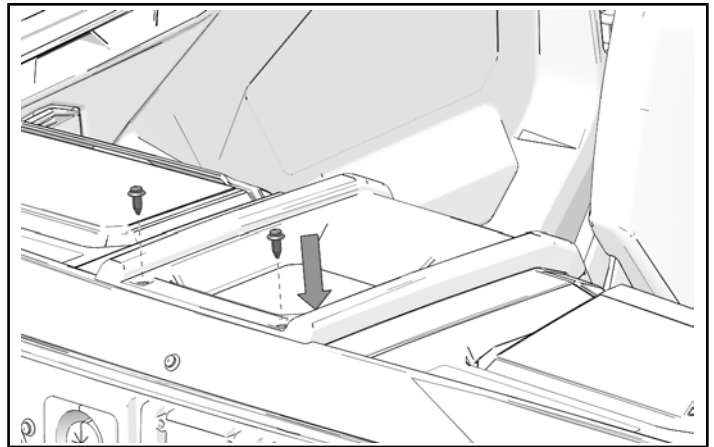


CENTER DASH PANEL INSTALLATION

- Install center panel. Install rear tabs into dash, then lower into position.



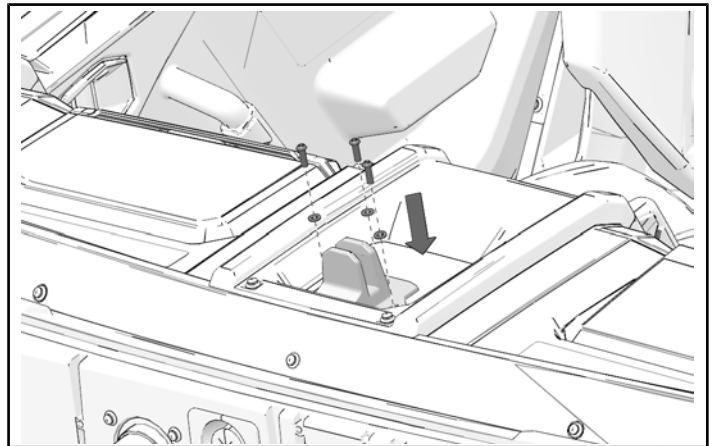
- Install two push-pin rivets.



- If vehicle is equipped with tip-out windshield. Install base, three screws, and washers. Torque screws to specification.

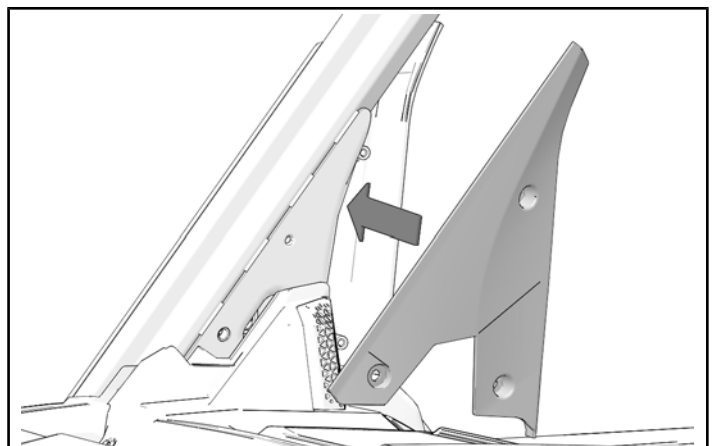
TORQUE

Base Screws:
89 in-lbs (10 N·m)



INSTALL LOWER A-PILLAR TRIM

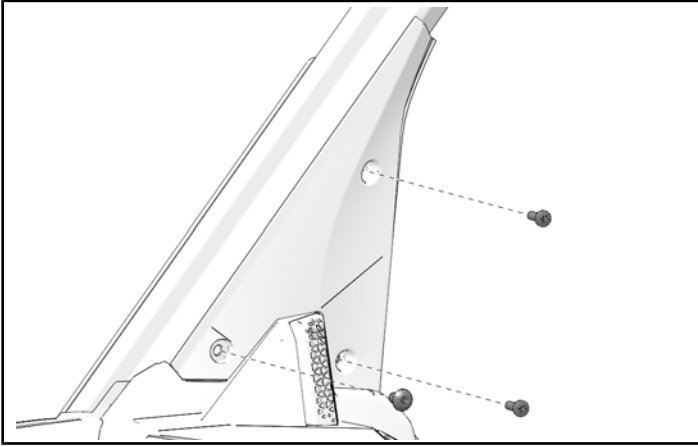
- Put lower A-pillar trim in position at base of A-pillar.



2. Install three screws. Torque to specification.

TORQUE

Lower A-Pillar Trim Screws:
22 in-lbs (2.5 N·m)

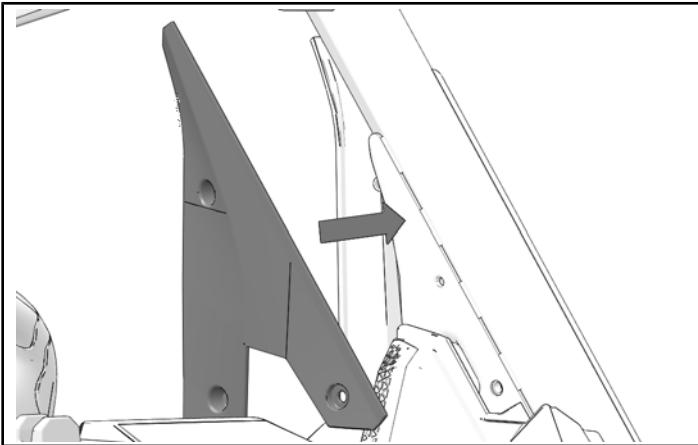


VEHICLES EQUIPPED WITH TIP-OUT WINDSHIELD

NOTICE

Left side shown; right side similar.

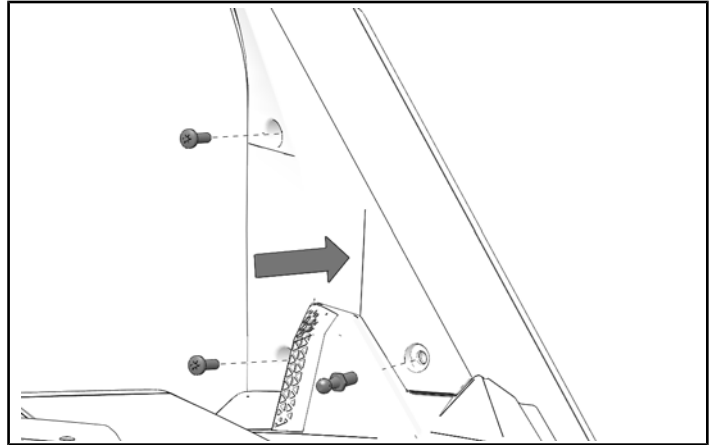
1. Put lower A-pillar trim in position at base of A-pillar.



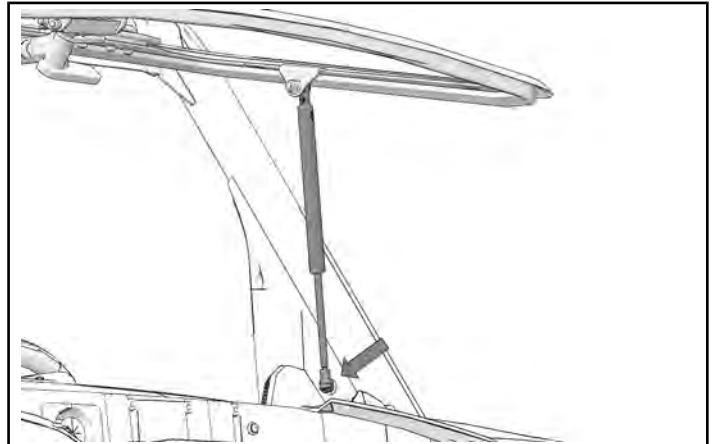
2. Install two screws and ball stud. Torque to specification.

TORQUE

Lower A-Pillar Trim Screws:
22 in-lbs (2.5 N·m)



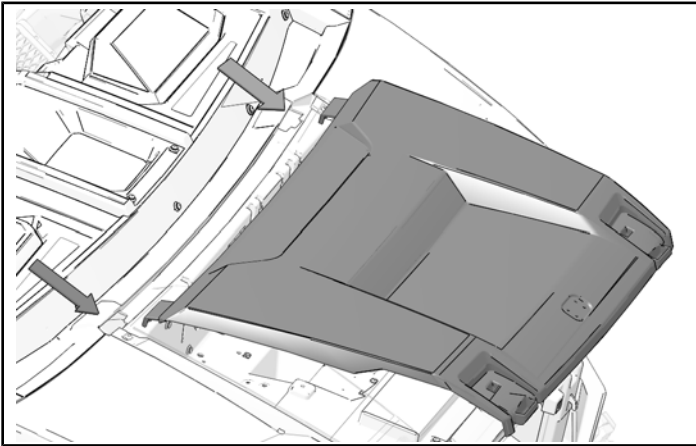
3. Return clip at bottom of gas spring to engaged position. Connect bottom of gas springs.



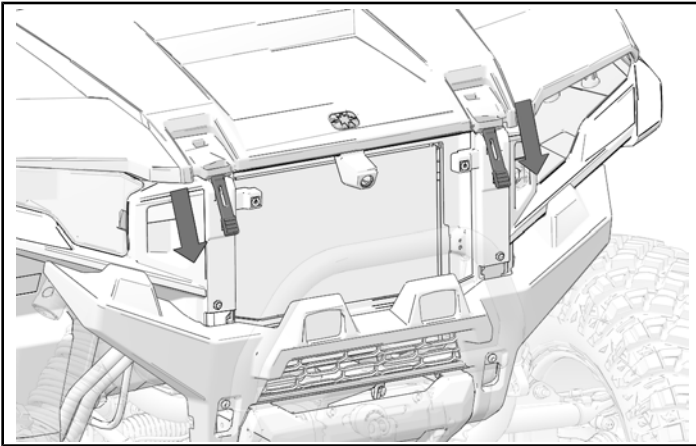
4. Remove windshield support and close tip-out windshield.

HOOD AND GRILL INSTALLATION

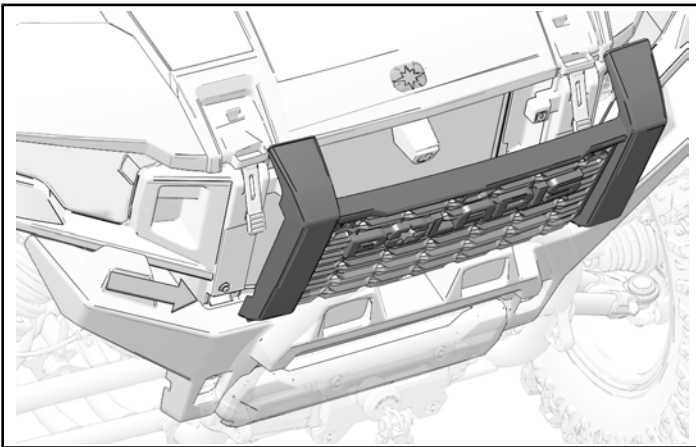
1. Put tabs on hood through openings in underhood liner. Then lower hood into position.



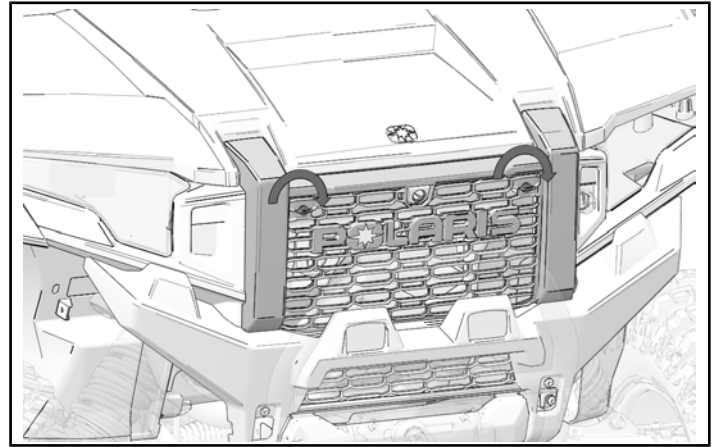
2. Pull rubber straps down over hooks to secure hood.



3. Put tabs on grill through openings in front fascia. Push top of grill into correct position.

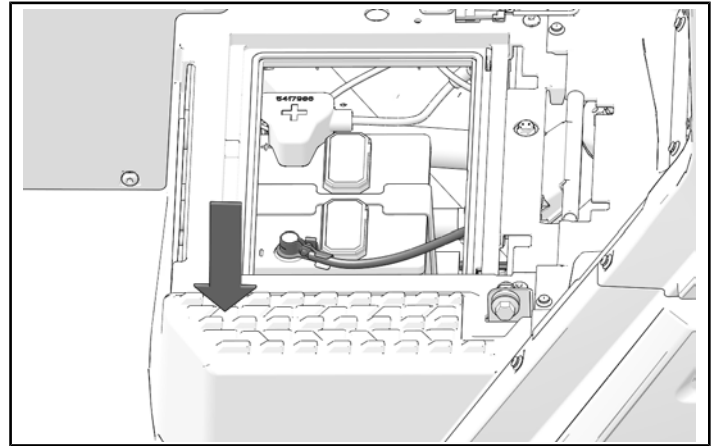


4. Push each stud in and turn one-quarter turn clockwise to attach grill.

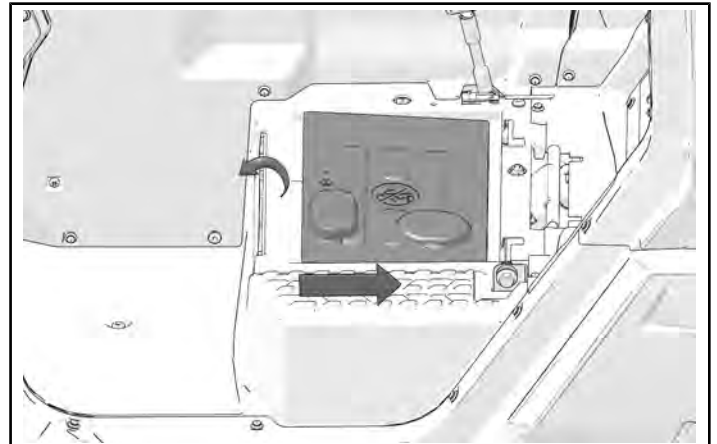


CONNECT BATTERY

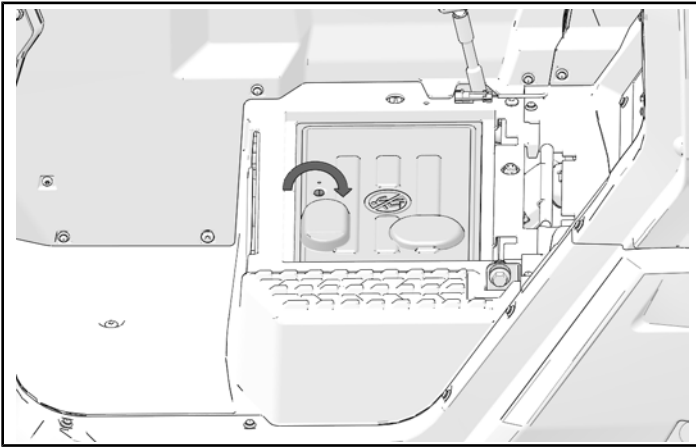
1. Connect negative cable to battery.



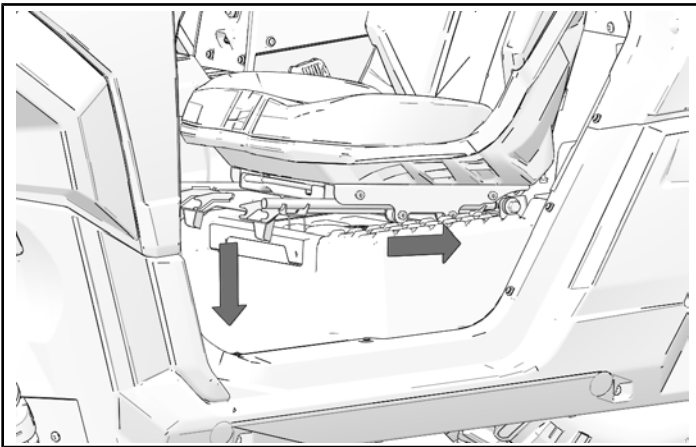
2. Push battery cover rearward and lower into place.



3. Turn screw to close cover.



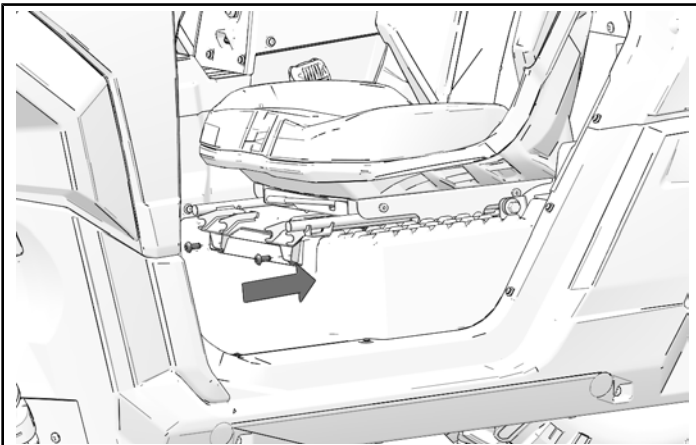
4. Push rearward to engage seat and lower front of seat into place.



5. Install two kept screws at front of seat base. Torque screws to specification.

TORQUE

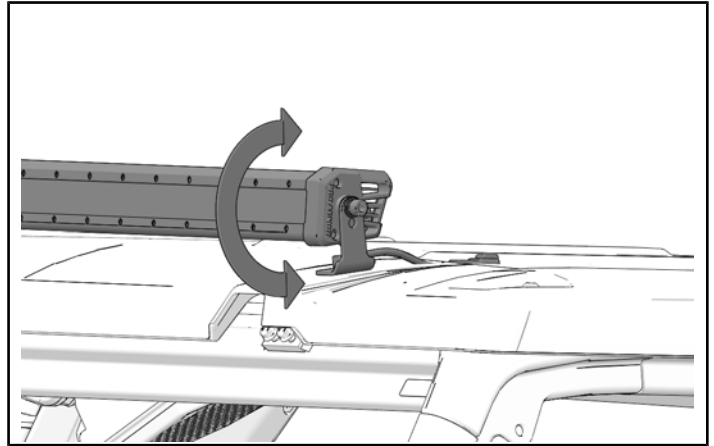
Screws:
13 ft-lbs (18 N·m)



TEST AND ADJUST REAR LIGHTS

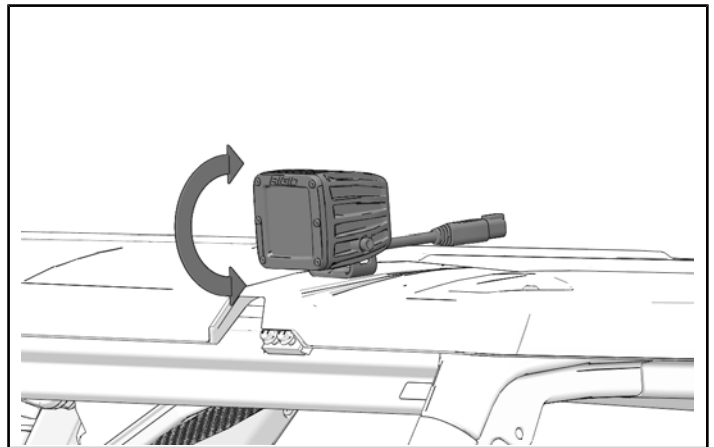
TEST AND ADJUST LIGHTBAR

1. Press top of rear light switch to test lightbar.
2. Loosen mounting screw on each end of lightbar. Adjust lightbar as desired. Tighten screws until fully seated.

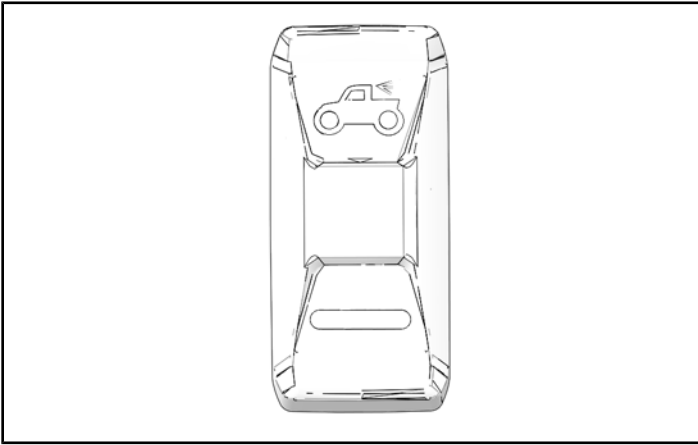


TEST AND ADJUST CUBE LIGHTS

1. Press top of rear light switch to test cube lights.
2. Loosen bracket for each cube light. Adjust cube light as desired. Tighten screws until fully seated.



OPERATION



- Push top of switch to turn on rear roof lights.
- Push bottom of switch to turn off rear roof lights.