

# BUMPER CUBE LIGHTS MOUNTING AND HARNESS KIT



P/N 2889820; 2889885

## MISSING OR DAMAGED PARTS

Before beginning assembly, inspect the kit and its component(s) to be sure all parts and tools are accounted for and not damaged. If missing parts or parts are damaged, please contact your Selling Dealer for assistance.

If your accessory was purchased online, please contact POLARIS® customer service at **1-800-POLARIS** (US & Canada only).

## APPLICATION

Verify accessory fitment at [www.polaris.com](http://www.polaris.com).

## REQUIRED SOLD SEPARATELY

Only parts for installation of the Bumper Cube Lights Mounting and Harness Kit are included. Prior installation of the following additional kit is also required (sold separately):

- *HD Front Bumper Kit*, P/N 2884494-XXX

### NOTICE

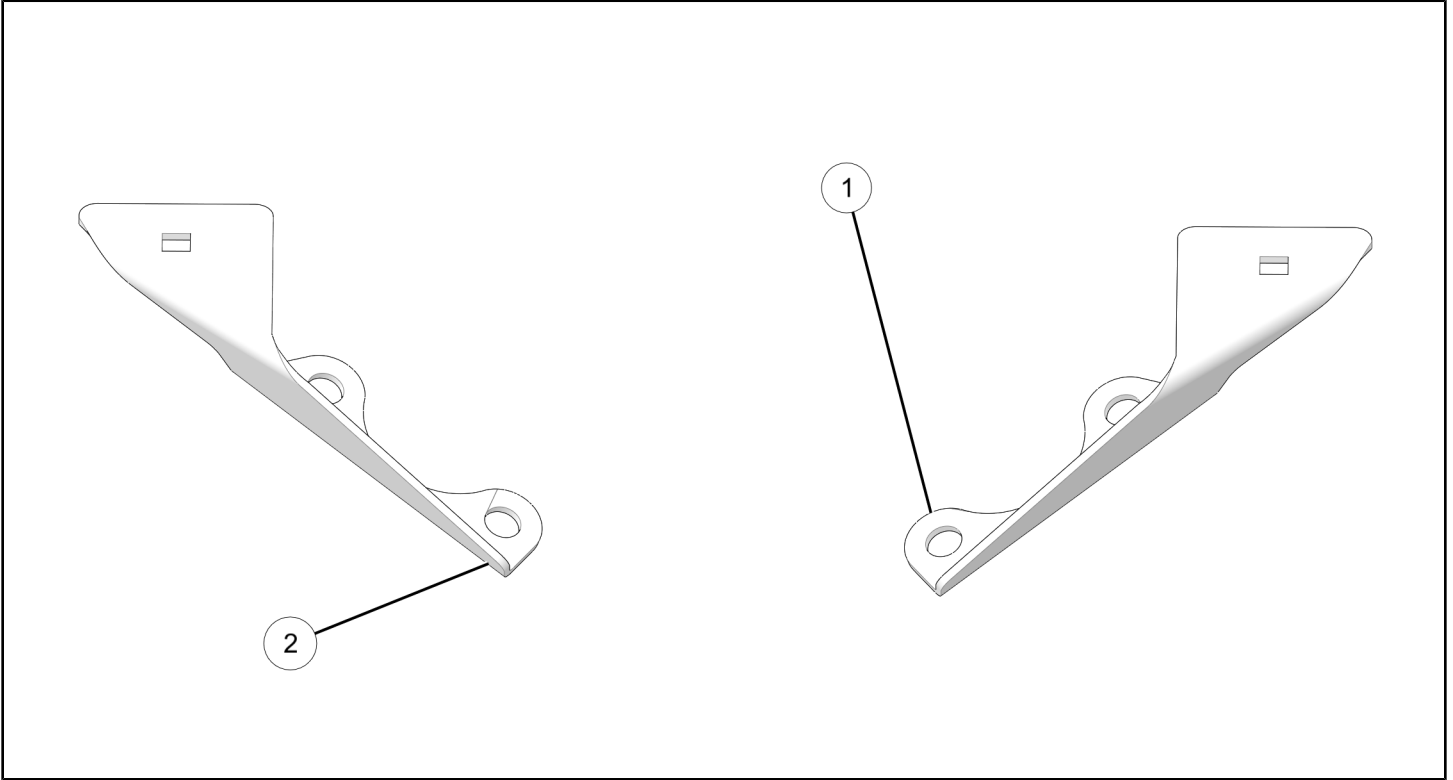
XXX = Polaris® color code (For example: 266 = Black)

For complete installation, one of the following additional kits is required (sold separately):

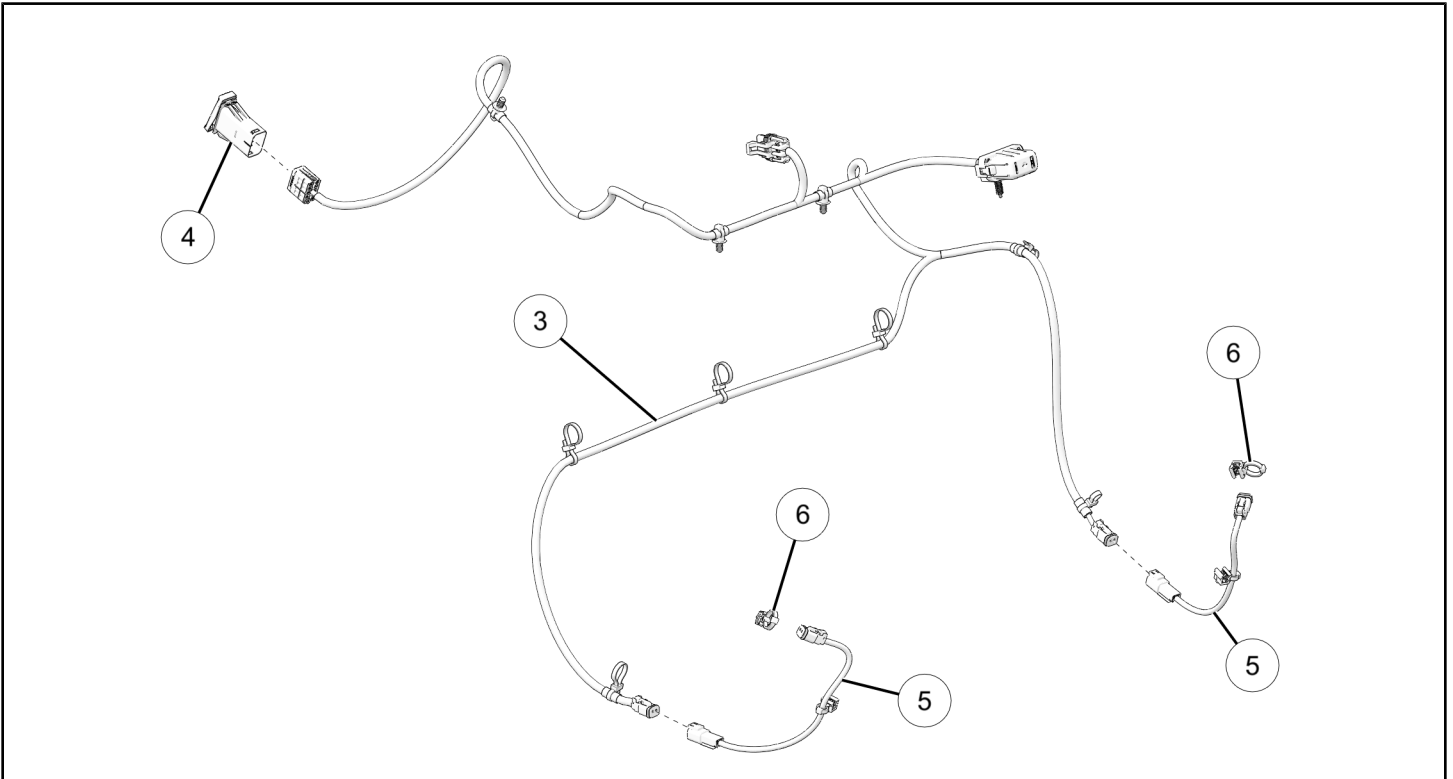
- *Rigid® D-Series PRO Flood LED Light*, P/N 2883126
- *Rigid® D-Series PRO Spot LED Light*, P/N 2883127
- *Rigid® D-Series PRO Driving LED Light*, P/N 2883128
- *Pro Armor 2" x 2" Cube LED Spot Light*, P/N 2882076
- *Pro Armor 2" x 2" Cube LED Flood Light*, P/N 2882312

# KIT CONTENTS

## BUMPER CUBE LIGHT MOUNTING KIT P/N 2889820



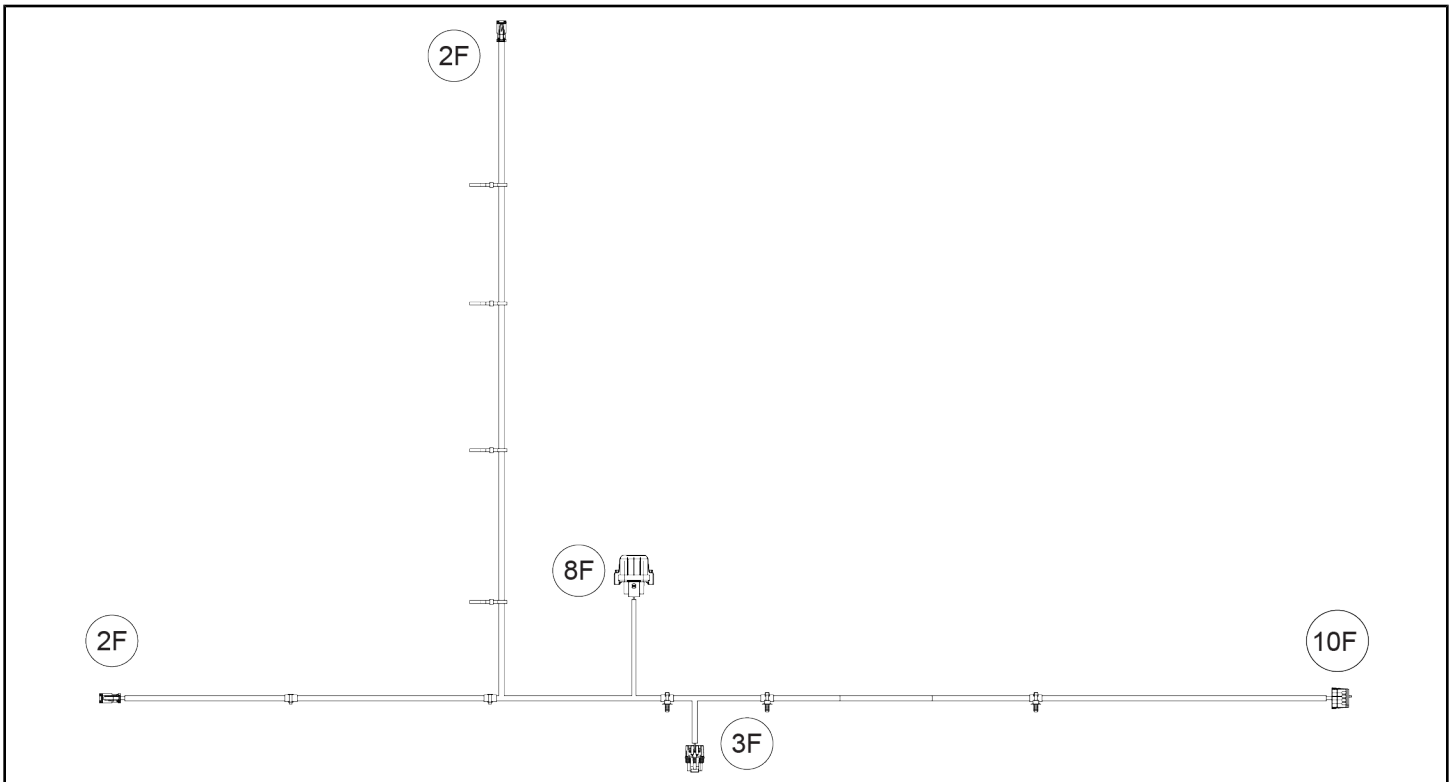
## BUMPER CUBE LIGHT HARNESS KIT P/N 2889885



REF	QTY	PART DESCRIPTION	P/N AVAILABLE SEPARATELY
1	1	Light Mounting Bracket, Left	n/a
2	1	Light Mounting Bracket, Right	n/a
3	1	Front Bumper Light Harness	n/a
4	1	Switch, Auxiliary Light	4080801-06
5	2	Bumper Light Extension Harness	n/a
6	2	Edge Clip	7083030

## HARNESS DETAIL

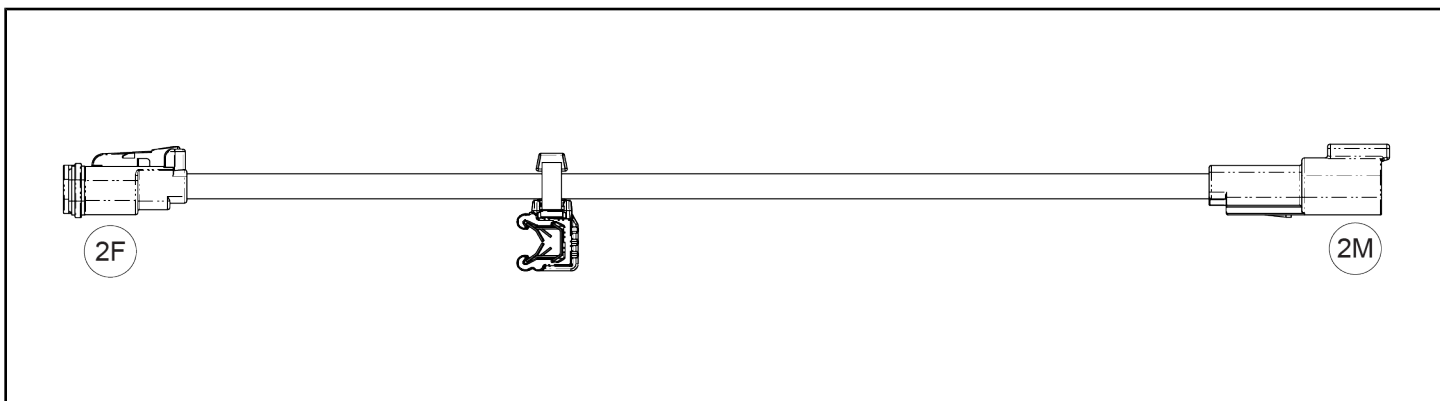
### FRONT BUMPER LIGHT HARNESS ③



REF	PART DESCRIPTION	CONNECTS TO
2F	Connector – Extension Harness	Left Bumper Light Extension Harness
2F	Connector – Extension Harness	Right Bumper Light Extension Harness
3F	Connector – Pulse®	Polaris Pulse® Bar
8F	Connector – Fuse Box	Fuse Box
10F	Connector – Switch	Auxiliary Light Switch ④

Example: 16F = 16 pin, Female / 16M = 16 pin, Male (Male terminal fits inside female terminal)

## BUMPER LIGHT EXTENSION HARNESS ⑤



REF	PART DESCRIPTION	CONNECTS TO
2F	Connector – Light	Cube Light
2M	Connector – Front Bumper Light Harness	Front Bumper Light Harness

Example: 16F = 16 pin, Female / 16M = 16 pin, Male (Male terminal fits inside female terminal)

### TOOLS REQUIRED

- Safety Glasses
- Drill
- Drill Bit:
  - 1/4 in (7 mm)
- Hex Key Set, Metric
- Screwdriver Set, Torx®
- Socket Set, Hex Bit, Metric
- Socket Set, Metric
- Socket Set, SAE
- Socket Set, Torx® Bit
- Torque Wrench
- Wrench Set, Metric
- Wrench Set, SAE

### IMPORTANT

Your Bumper Cube Lights Mounting and Harness Kit is exclusively designed for your vehicle. Please read the installation instructions thoroughly before beginning. Installation is easier if the vehicle is clean and free of debris. For your safety, and to ensure a satisfactory installation, perform all installation steps correctly in the sequence shown.

## INSTALLATION INSTRUCTIONS

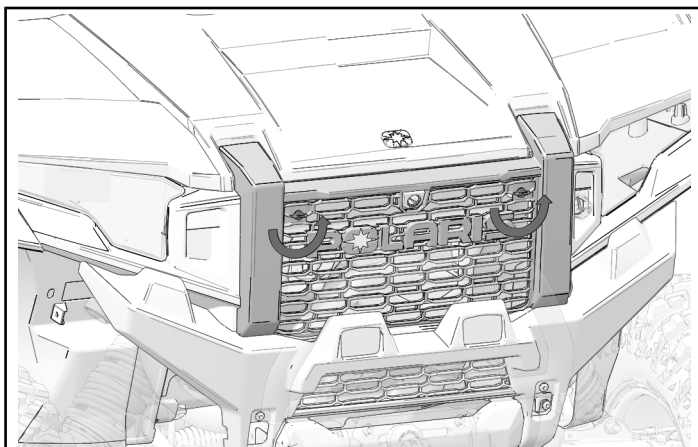
### VEHICLE PREPARATION

#### GENERAL

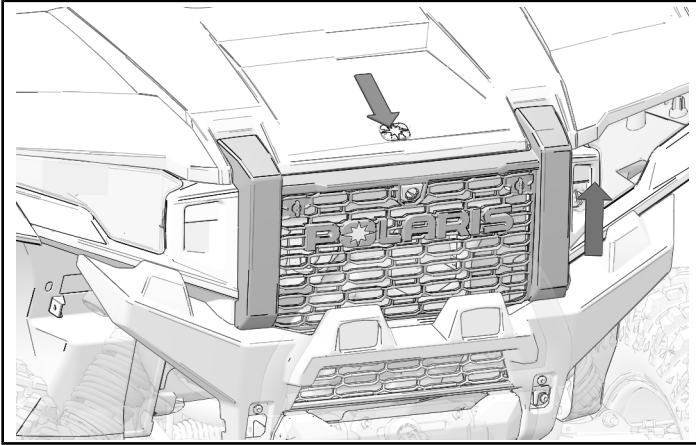
1. Park vehicle on a flat surface.
2. Shift vehicle into PARK.
3. Turn key to OFF position and remove key.

#### HOOD AND GRILL REMOVAL

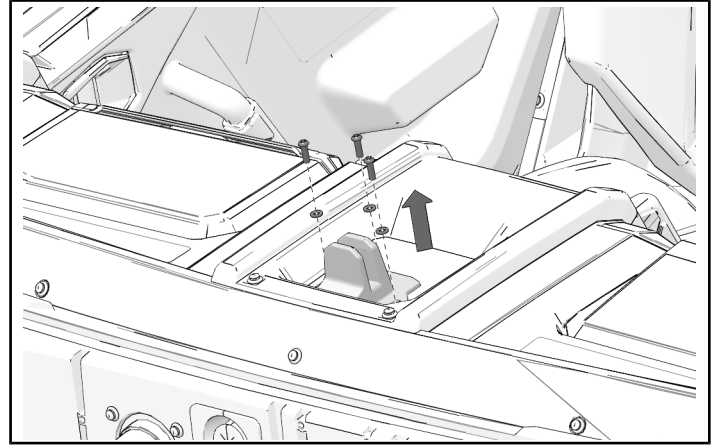
1. Turn each stud one-quarter turn to release grill.



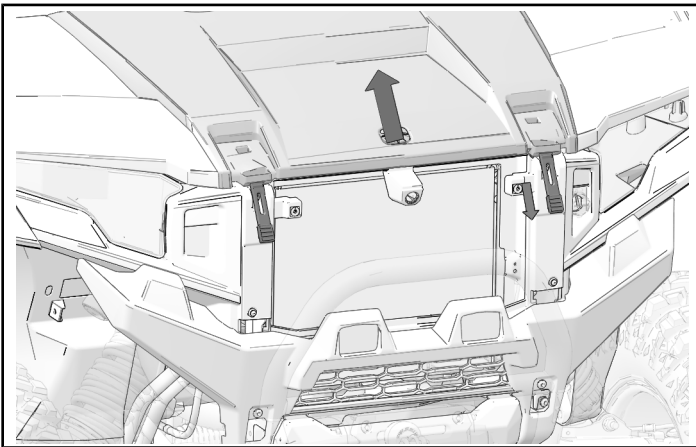
2. Pull top of grill forward and then lift up to remove grill.



2. Remove and keep three screws and washers. Remove and keep windshield base.

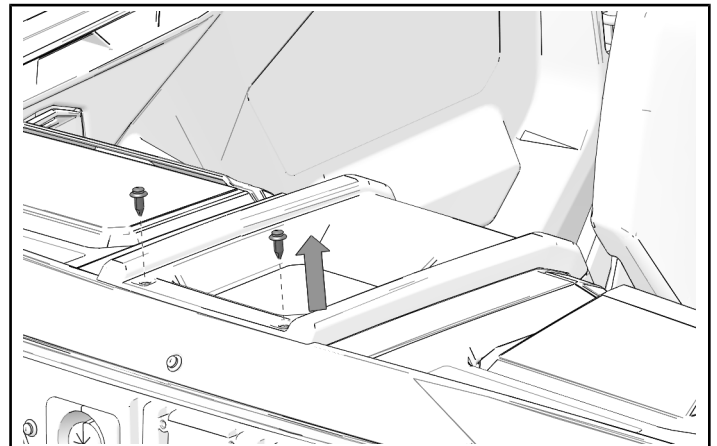


3. Pull rubber straps off hooks to release hood. Lift hood to remove.



### PANEL REMOVAL

1. Remove and keep two push-pin rivets from center dash panel.



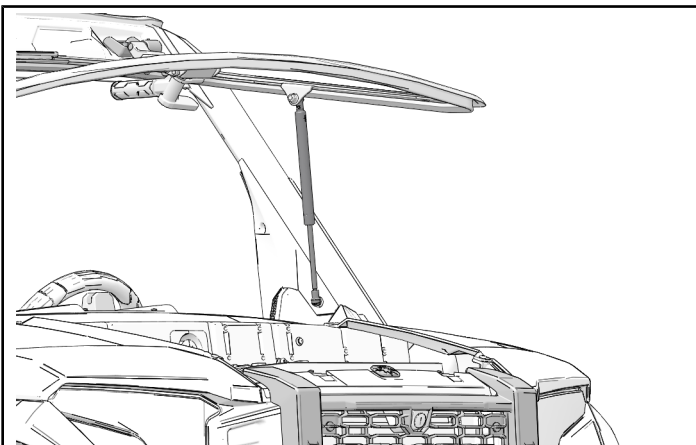
### ***CENTER DASH PANEL REMOVAL***

#### VEHICLES WITH TIP-OUT WINDSHIELD

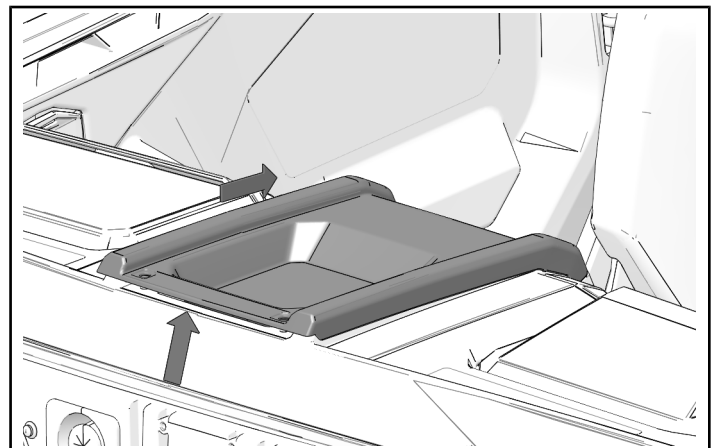
#### **NOTICE**

For vehicles without tip-out windshield, proceed to Panel Removal.

1. Open tip-out windshield.



2. Remove and keep panel by lifting front edge and moving backward.



## HEAD UNIT REMOVAL

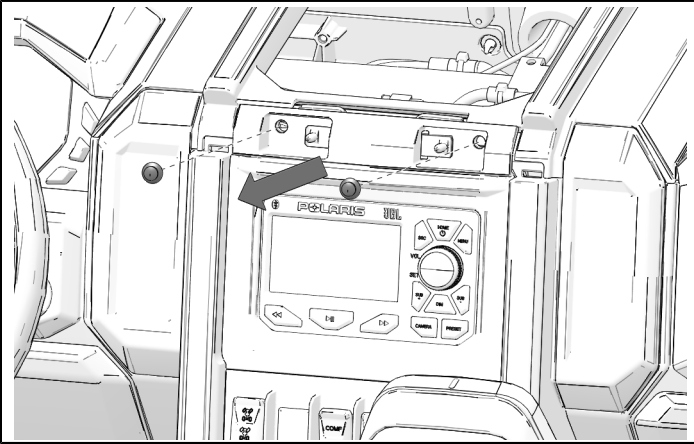
### NOTICE

Vehicles without audio system will have a storage bin in place of head unit. Storage bin is removed in a similar manner to head unit.

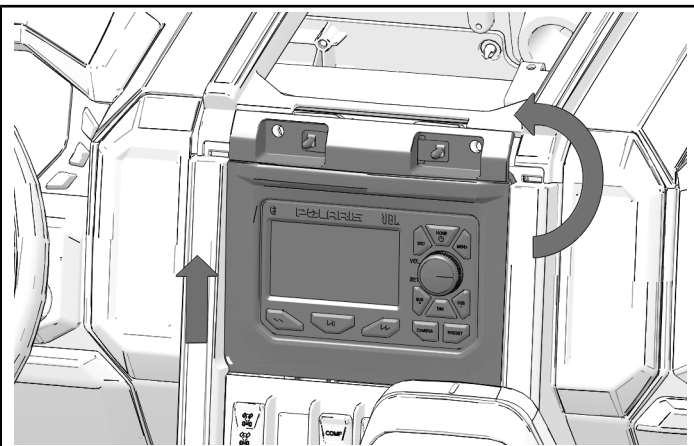
### NOTICE

Base audio head unit removal shown. Ride Command® display removal similar.

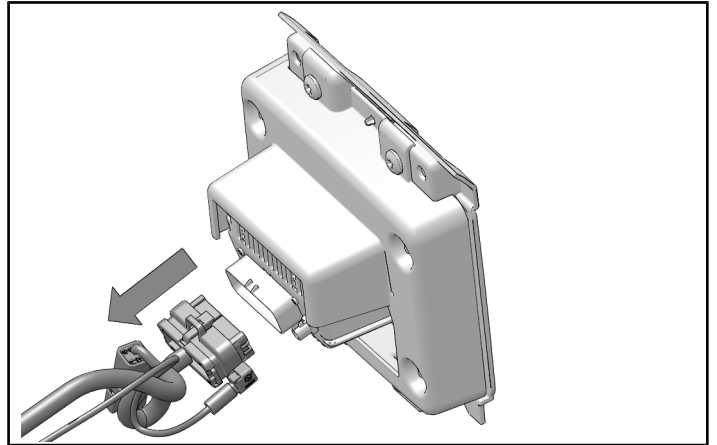
1. Remove and keep two push-pin rivets from top of the head unit.



2. Pull top of head unit away from dash and lift head unit up to remove from dash.



3. Disconnect wiring harness and antenna from head unit. Remove and keep head unit.



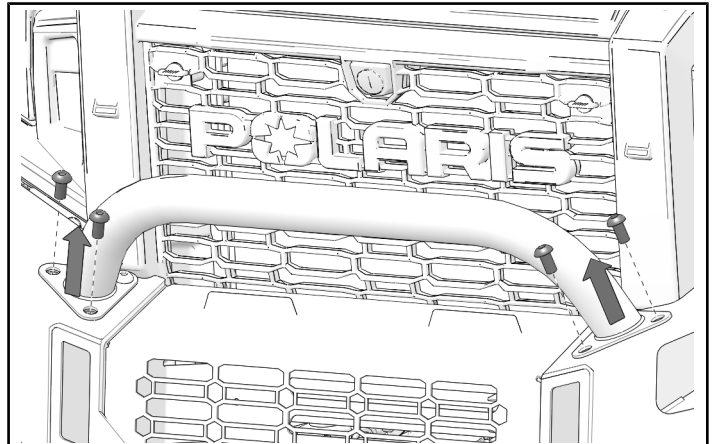
## ACCESSORY INSTALLATION

### MOUNTING BRACKET INSTALLATION

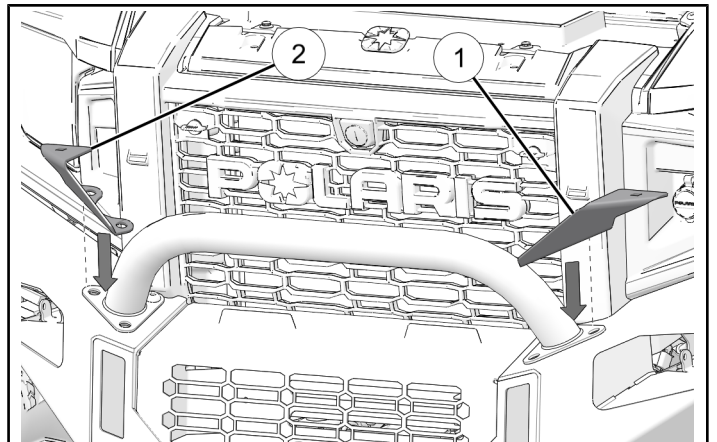
1. Remove and keep four screws from front bumper.

### NOTICE

Do not remove screws closest to front grill of vehicle.

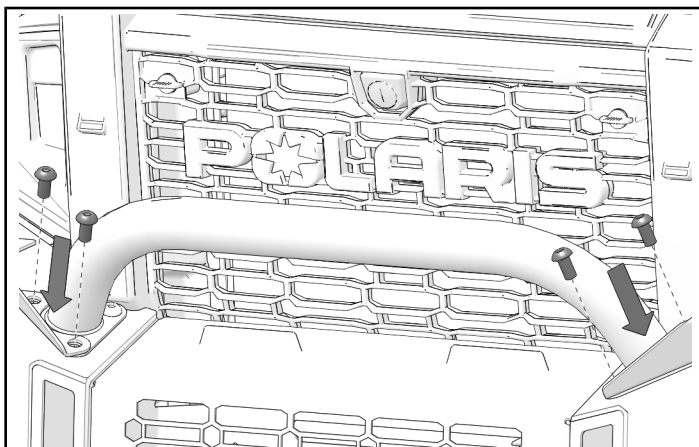


2. Install mounting brackets ① ②.



3. Install four kept screws. Torque screws to specification.

**TORQUE**  
Screws:  
**20 ft-lbs (27 N·m)**

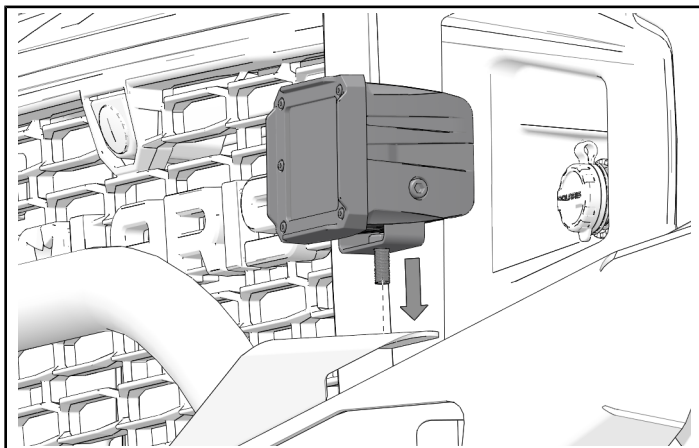


### LIGHT INSTALLATION

**NOTICE**  
Left side shown; right side similar.

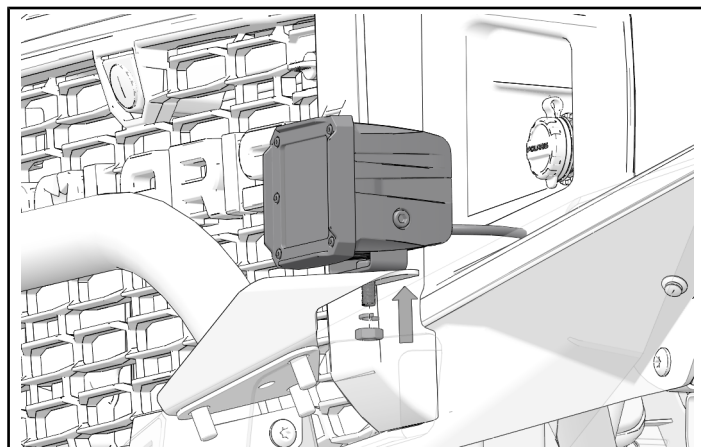
**NOTICE**  
Cube spot light shown; others similar.

1. Install mounting screw for light through hole in top of mounting bracket.



2. Install lockwasher and nut on screw. Torque nut to specification.

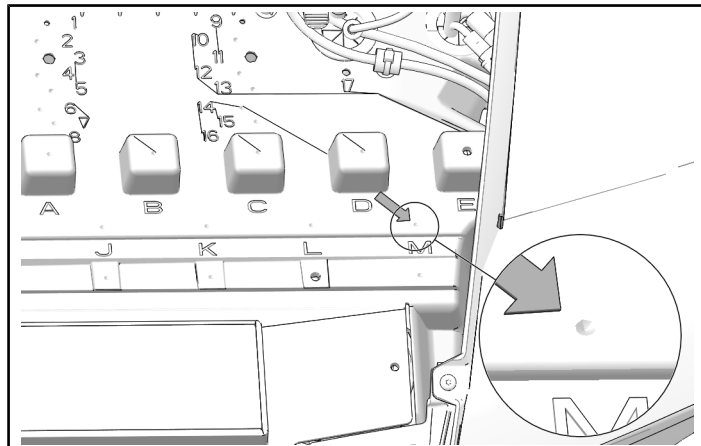
**TORQUE**  
Cube Light Nut:  
**18 ft-lbs (24 N·m)**



### HARNES AND SWITCH INSTALLATION

1. Find dimple in underhood liner to rear of letter **(M)**. Drill hole at this location.

**MEASUREMENT**  
Drill Bit Size: 1/4 in (7 mm)



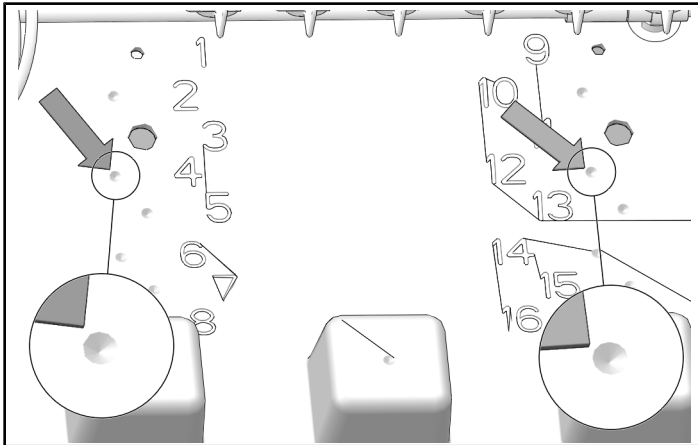
- Find dimples in underhood liner at locations ④ and ⑫. Drill holes at these locations.

### MEASUREMENT

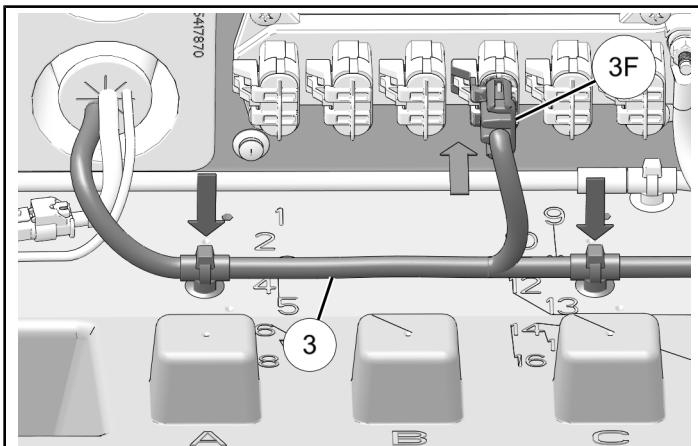
Drill Bit Size: 1/4 in (7 mm)

### IMPORTANT

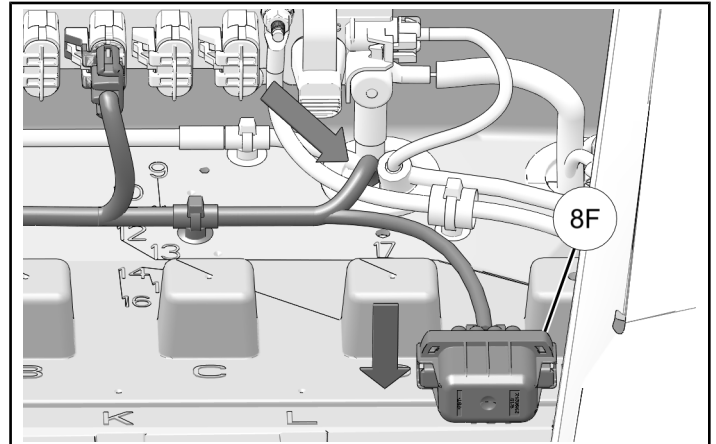
Control drill depth. Make sure drill is clear of all other parts and components to prevent damage to vehicle.



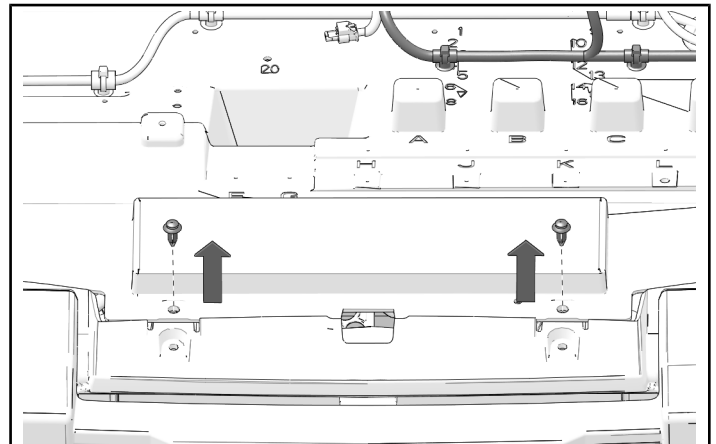
- Install harness ③ in underhood area. Route switch connector through lower half of grommet at rear of area. Install push pin clips into holes at locations ④ and ⑫. Connect harness to Polaris Pulse® Bar.



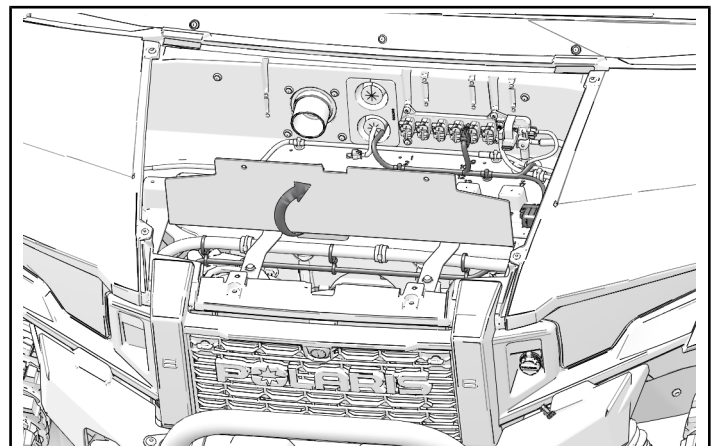
- Install push pin clip on bottom of fuseblock into hole at location ⑩. Route light connectors through grommet beneath Polaris Pulse® Bar.



- Remove two push pin rivets from front of underhood liner.

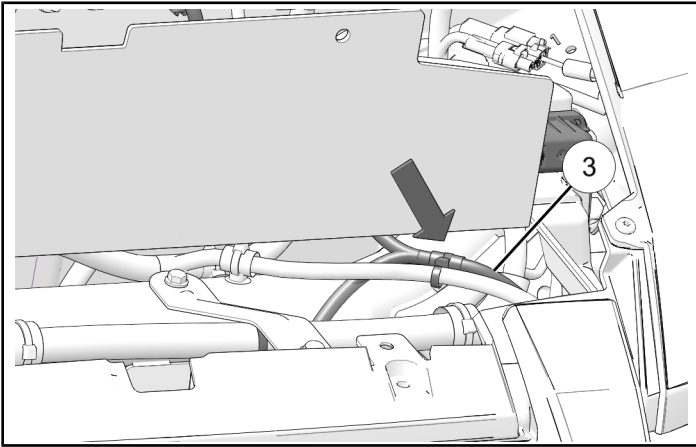


- Flip up panel to access area below underhood liner.





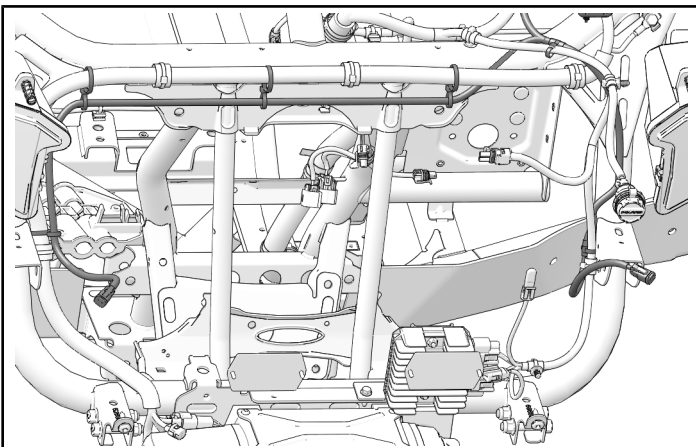
7. Route harness ③ over support bar. Use cable tie to attach harness ③ to existing harness.



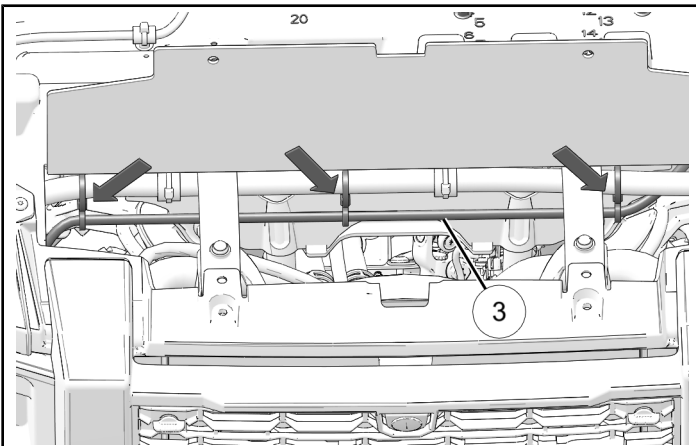
8. View of complete harness routing below underhood area.

**NOTICE**

Components removed for clarity.



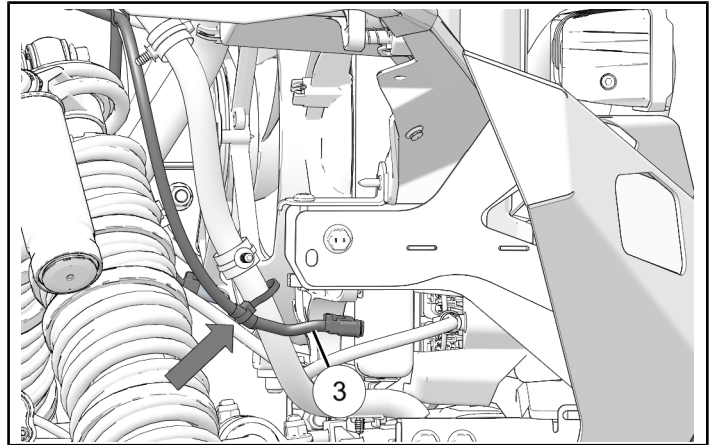
9. Route longer leg of harness ③ toward right side of vehicle. Use cable ties to attach to existing harness as shown.



10. Continue to route long leg of harness ③ along existing harness. Attach to existing harness as shown.

**NOTICE**

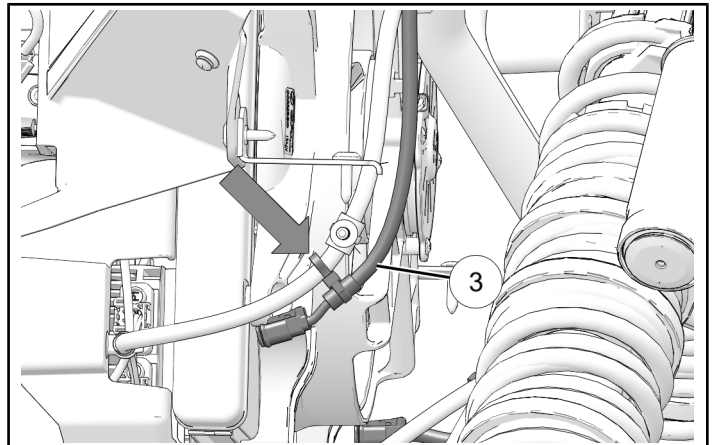
Vehicle frame hidden for clarity.



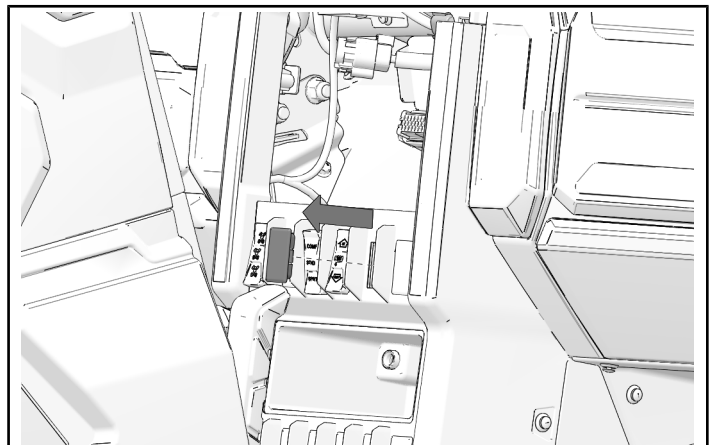
11. Route short leg of harness ③ along existing harness toward left cube light. Attach to existing harness as shown.

**NOTICE**

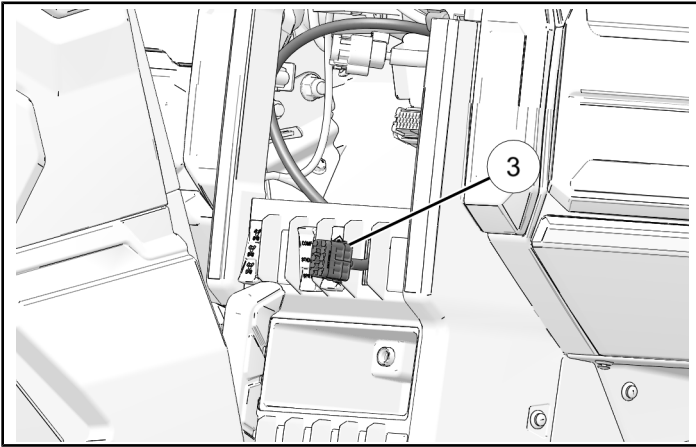
Frame and bumper hidden for clarity.



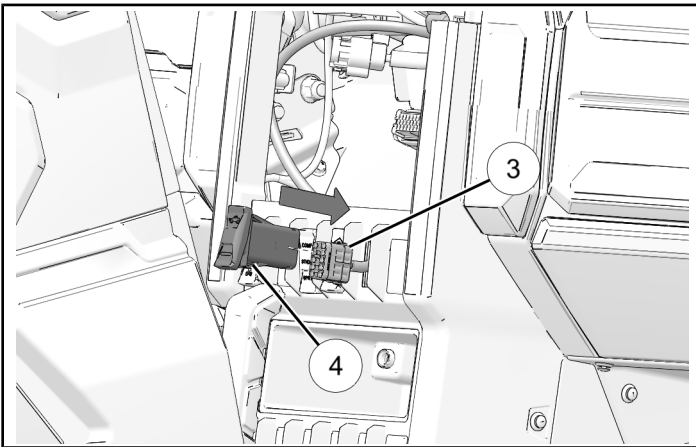
12. Remove switch cover from dash.



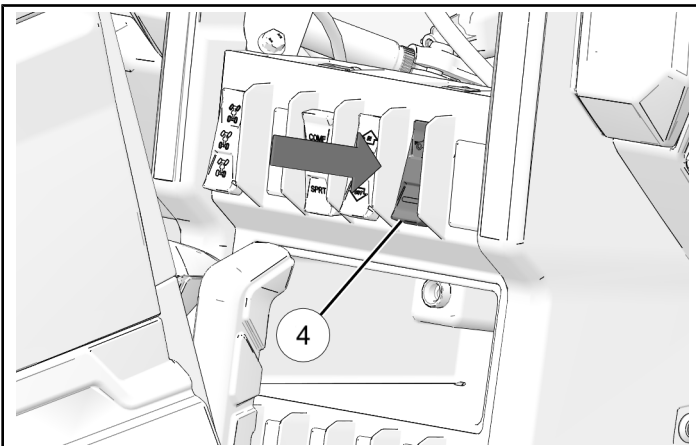
13. Route harness ③ switch connector through opening.



14. Connect switch ④ to harness ③.

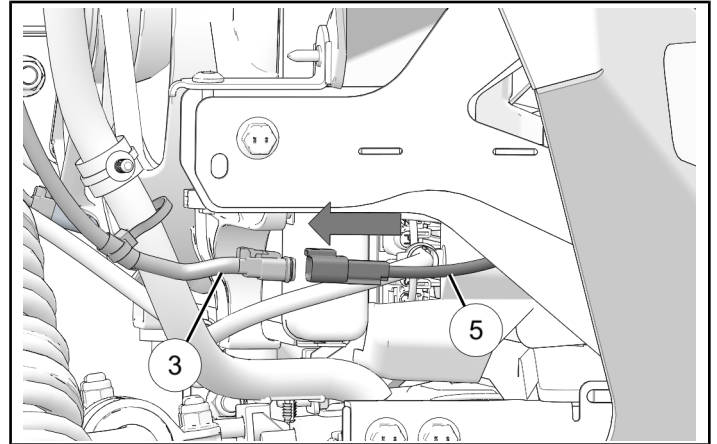


15. Install switch ④. Push switch into opening until switch clicks into place.

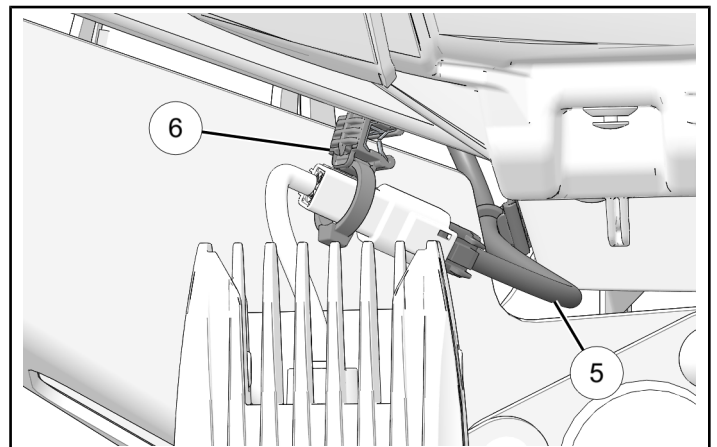


## **EXTENSION HARNESS INSTALLATION (FOR PRO ARMOR CUBE LIGHTS)**

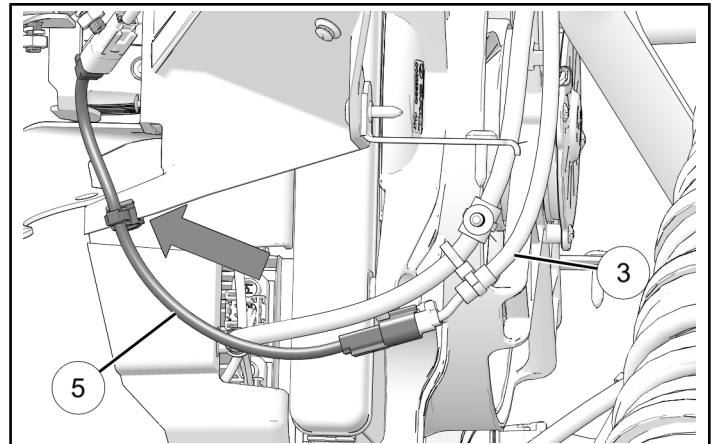
1. Connect extension harness ⑤ to main harness ③ on right side.



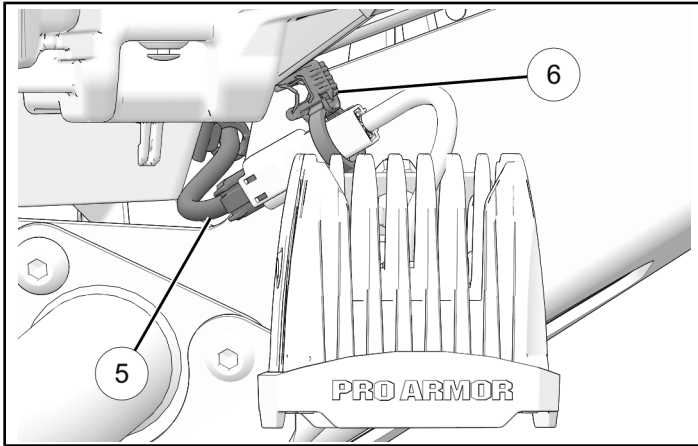
2. Connect extension harness ⑤ to right side cube light. Attach edge clip ⑥ to cube light harness and install on edge of bumper assembly.



3. Connect extension harness ⑤ to main harness ③ on left side. Install edge clip on harness ⑤ as shown.

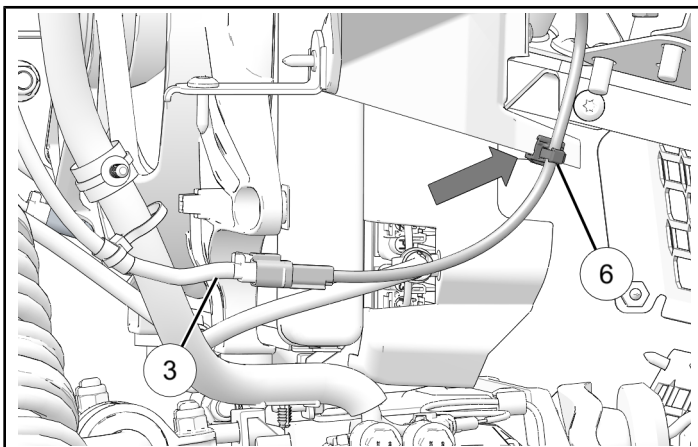


4. Connect extension harness ⑤ to left side cube light. Attach edge clip ⑥ to cube light harness and install on edge of bumper assembly.

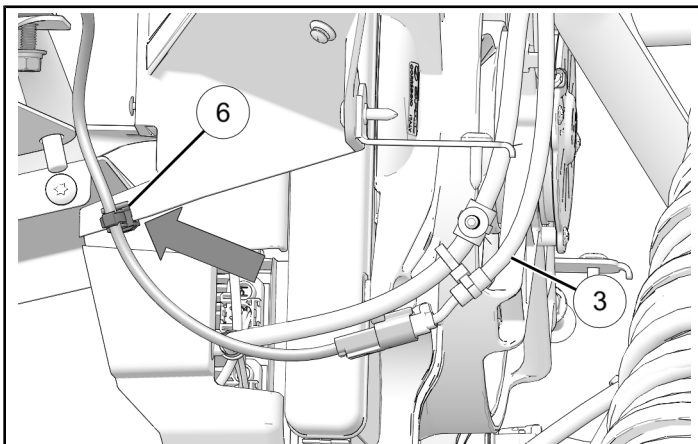


### HARNESS CONNECTIONS (FOR RIGID® CUBE LIGHTS)

1. Connect harness from right cube light to main harness ③.



2. Attach edge clip ⑥ to cube light harness. Install edge clip on upper fascia as shown.
3. Connect harness from left cube light to main harness ③.



4. Attach edge clip ⑥ to cube light harness. Install edge clip on upper fascia as shown.

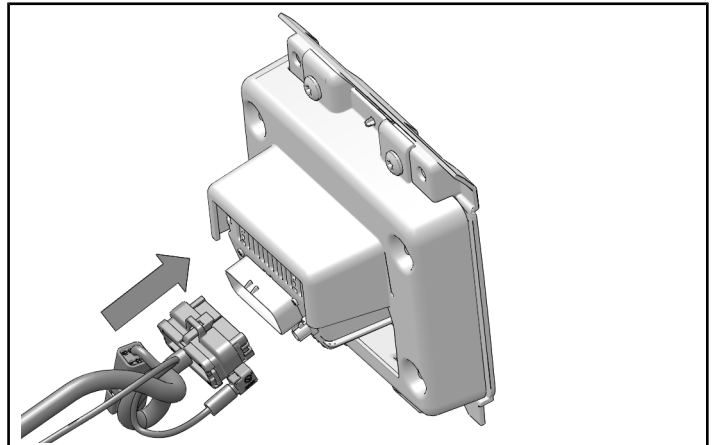
## VEHICLE REASSEMBLY

### HEAD UNIT INSTALLATION

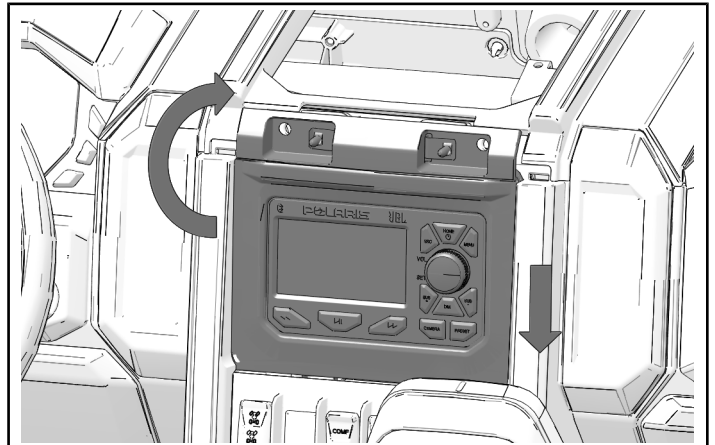
#### NOTICE

Base audio head unit installation shown. Ride Command® display installation similar.

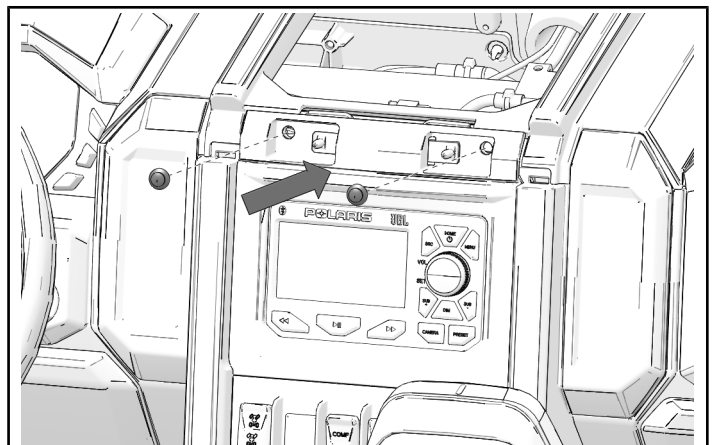
1. Attach wiring harness and antenna to head unit.



2. Put bottom of head unit into position. Push top of head unit into dash.

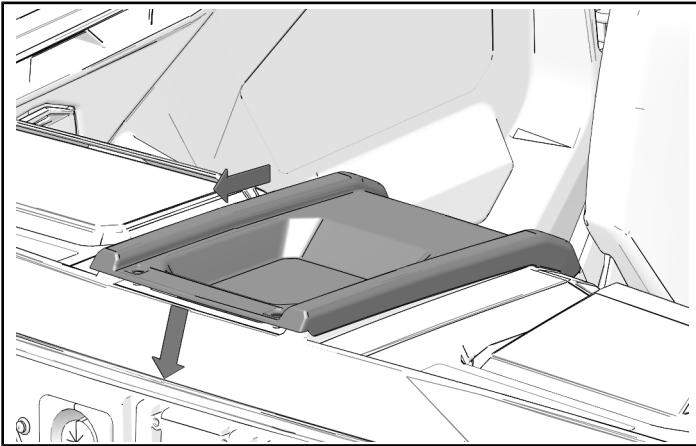


3. Install two push-pin rivets into top of head unit.

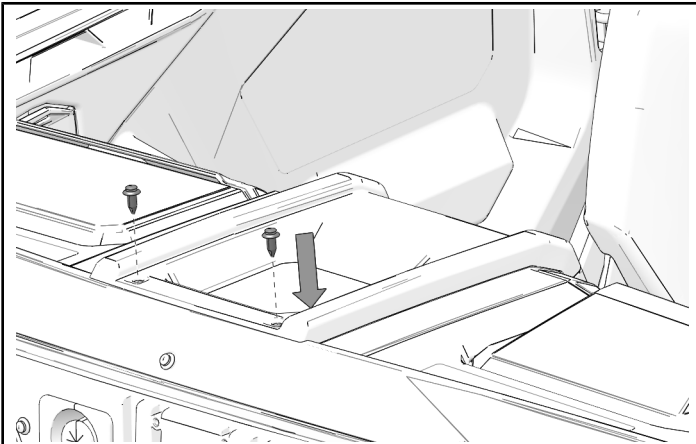


## CENTER DASH PANEL INSTALLATION

1. Install center panel. Install rear tabs into dash, then lower into position.



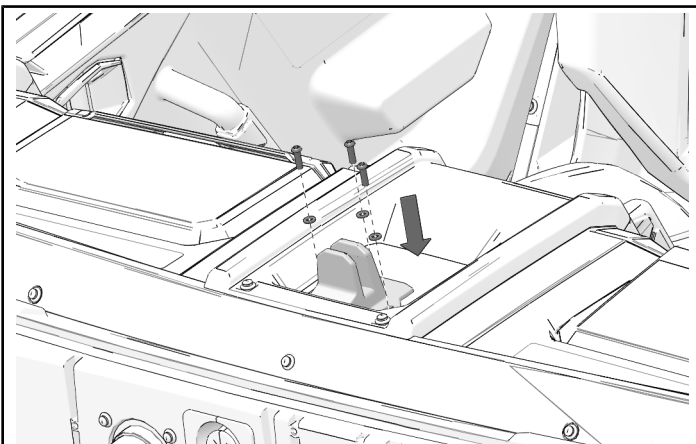
2. Install two push-pin rivets.



3. If vehicle is equipped with tip-out windshield. Install base, three screws, and washers. Torque screws to specification.

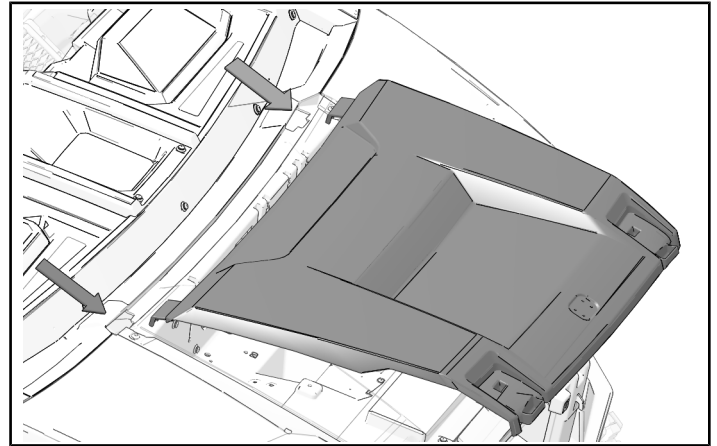
### TORQUE

Base Screws:  
89 in-lbs (10 N·m)

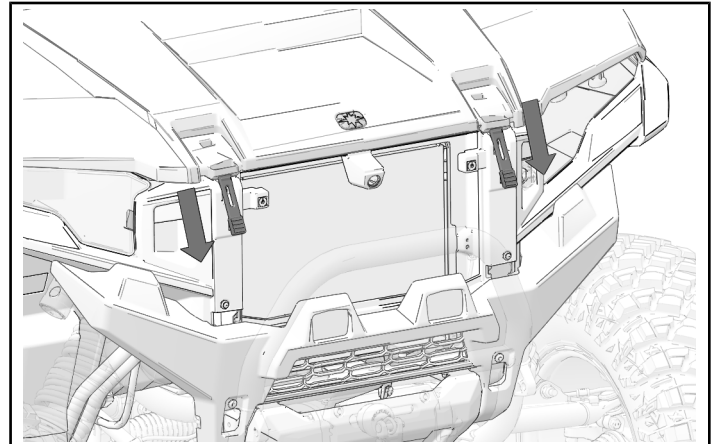


## HOOD AND GRILL INSTALLATION

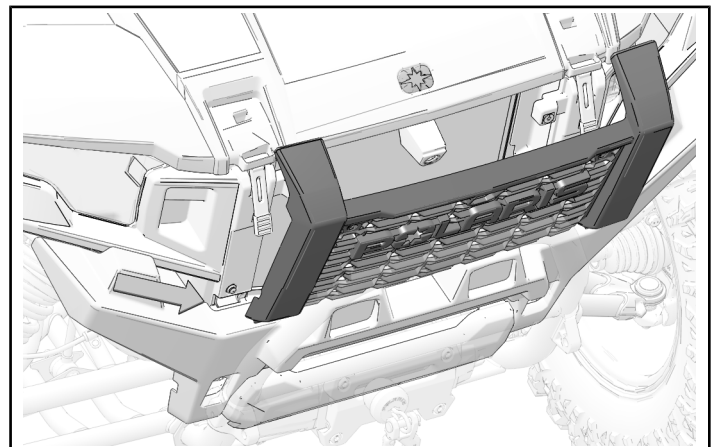
1. Put tabs on hood through openings in underhood liner. Then lower hood into position.



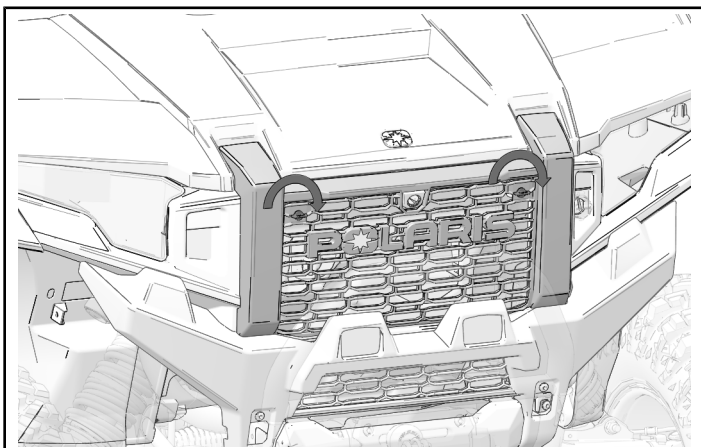
2. Pull rubber straps down over hooks to secure hood.



3. Put tabs on grill through openings in front fascia. Push top of grill into correct position.



4. Push each stud in and turn one-quarter turn clockwise to attach grill.

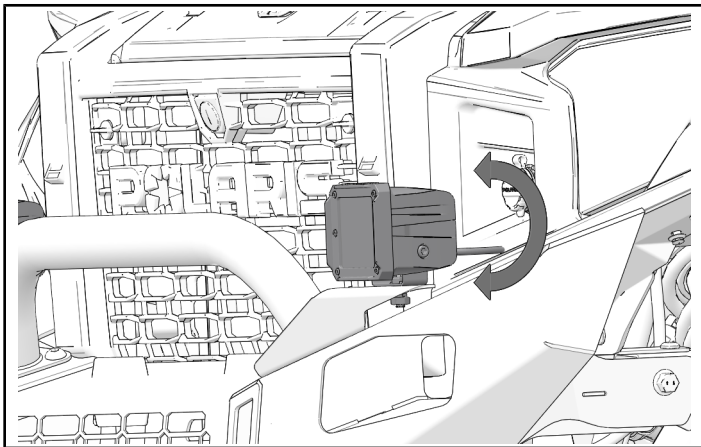


### **TEST AND ADJUST LIGHTS**

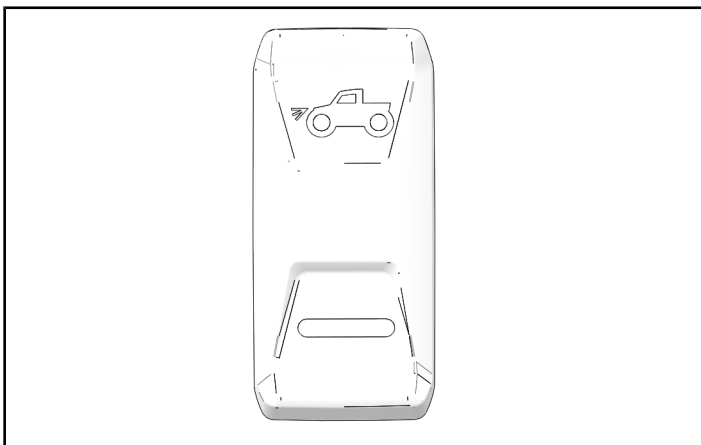
1. Press top of switch to test lights.
2. Adjust lights as desired. Torque screws to appropriate specification.

#### **TORQUE**

Cube Light Screws:  
**88 in-lbs (10 N·m)**



### **OPERATION**



- Press top of switch to turn on cube lights.
- Press bottom of switch to turn off cube lights.