

# MAIN BED RACK KIT



P/N 2889847

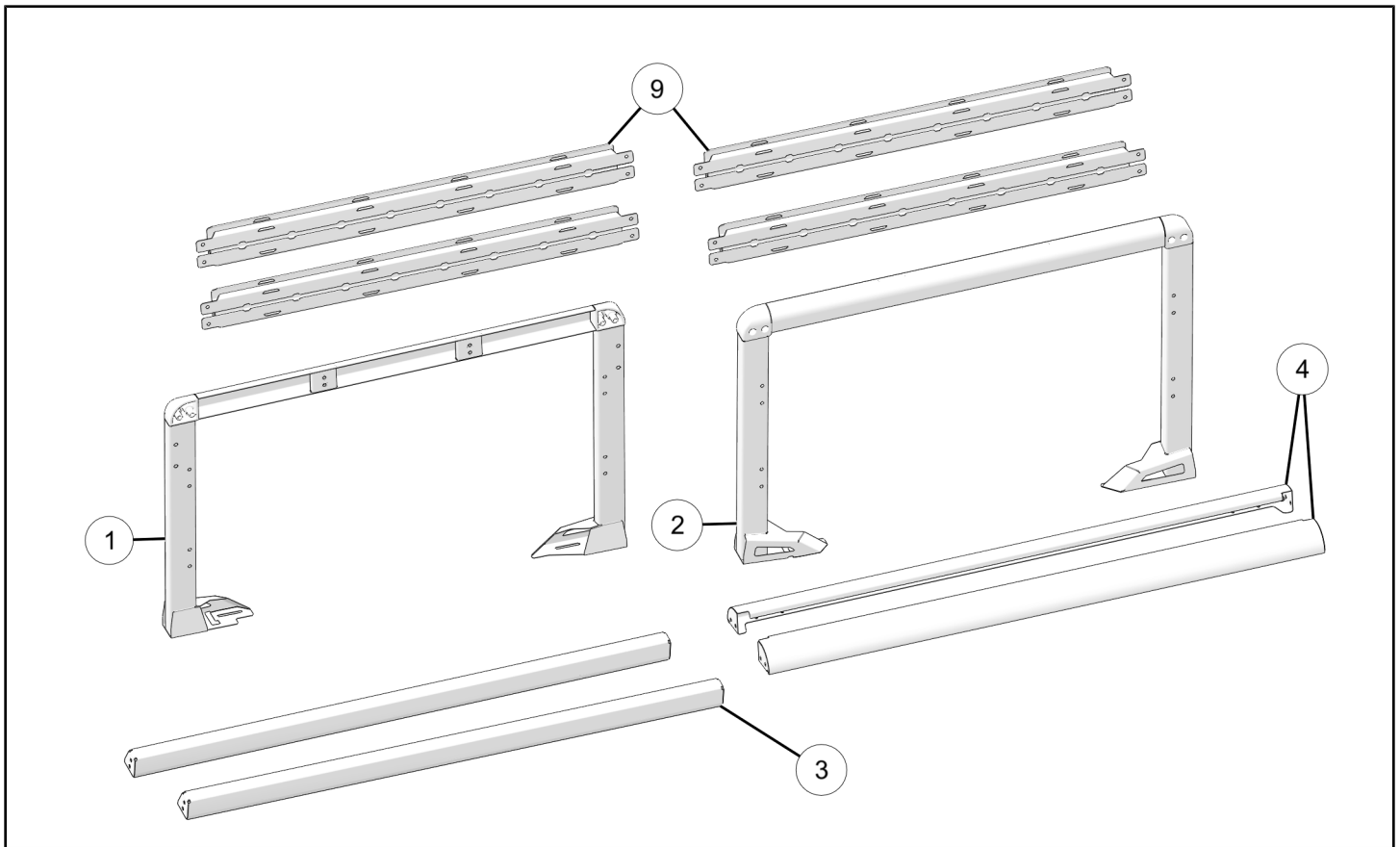
## BEFORE YOU BEGIN

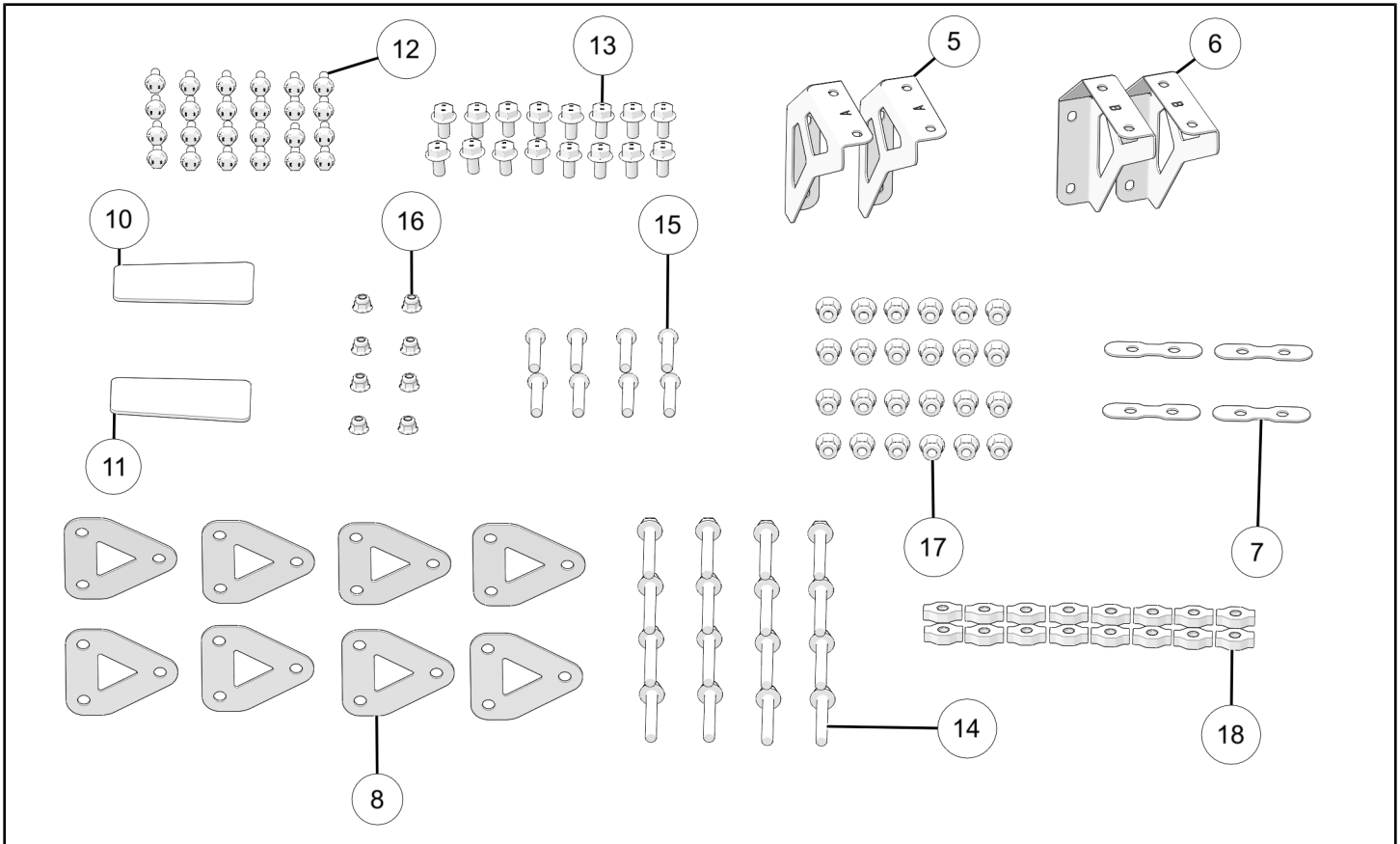
Read these instructions and check to be sure all parts and tools are accounted for. Please retain these installation instructions for future reference and parts ordering information.

## APPLICATION

Verify accessory fitment at [www.polaris.com](http://www.polaris.com).

## KIT CONTENTS





REF	QTY	PART DESCRIPTION	P/N AVAILABLE SEPARATELY	AVAILABLE SERVICE KIT
1	1	Weld — Bed Rack, Left	1027976	n/a
2	1	Weld — Bed Rack, Right	1027977	n/a
3	2	Weld — Bed Rack, Crossbar	1028460	n/a
4	2	Bracket, Support, Outside	5273375	n/a
5	2	Bracket, Support, Corner, Left	n/a	n/a
6	2	Bracket, Support, Corner, Right	n/a	n/a
7	4	Bracket, Mount, Bed Rack	5273464	n/a
8	8	Plate, Support, Rail	n/a	n/a
9	4	Rail, Bed Rack	5511114	n/a
10	1	Pad, Rubber, Left	5815375	n/a
11	1	Pad, Rubber, Right	5815376	n/a
12	24	Screw, Hex, Flange Head, M6 x 1.0 x 16 mm	7521331	n/a
13	16	Screw, Hex, Flange Head, M8 x 1.25 x 16 mm	7521332	2209736 (qty. 4)
14	16	Screw, Hex, Flange Head, M8 x 1.25 x 55 mm	7521332	2209736 (qty. 4)
15	8	Screw, Torx®, Drive Button Head, M8 x 1.25 x 45 mm	7527948	n/a
16	8	Nut, Hex, Flange Head, M6 x 1.0 mm	7548027	n/a

REF	QTY	PART DESCRIPTION	P/N AVAILABLE SEPARATELY	AVAILABLE SERVICE KIT
17	24	Nut, Hex, Flange Head, M8 x 1.25 mm	7548028	n/a
18	16	Nut, T, M8 x 1.25 mm	7548065	2209736 (qty. 4)

## TOOLS REQUIRED

- Safety Glasses
- Socket Set, Metric
- Torque Wrench
- Wrench Set, Metric

## INSTALLATION INSTRUCTIONS

### VEHICLE PREPARATION

#### GENERAL

1. Park vehicle on a flat surface.
2. Shift vehicle into PARK.
3. Turn key to OFF position and remove key.

### ACCESSORY INSTALLATION

#### NOTICE

Two person assembly recommended.

#### NOTICE

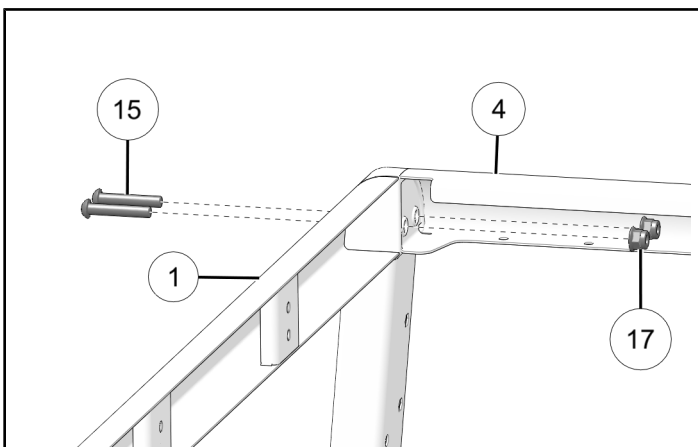
Assemble rack off the vehicle.

1. Loosely install outside crossbars ④ to side frames ① using screws ⑮ and nuts ⑰, repeat installation for other end of the crossbar.

#### NOTICE

Left side shown, right side similar.

DO NOT torque fasteners at this time.

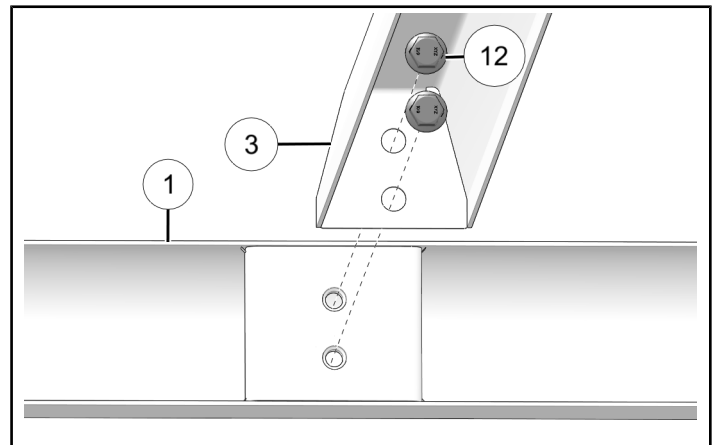


2. Loosely install inside crossbars ③ to side frames ① using screws ⑫, repeat installation for other end of the crossbar.

#### NOTICE

One assembly shown, two assemblies included.

DO NOT torque fasteners at this time.



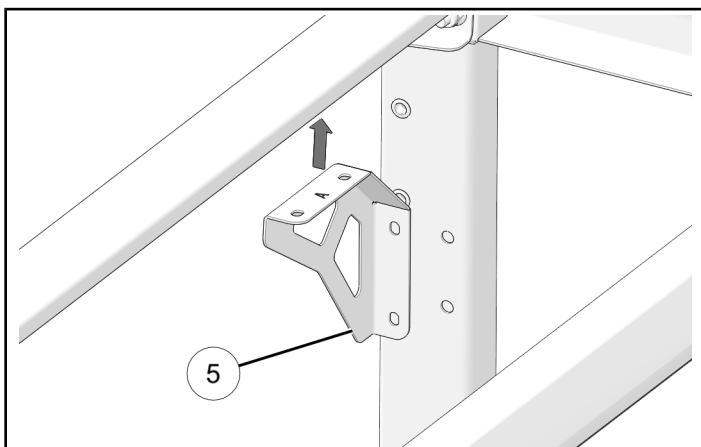
3. Align corner brackets ⑤ with screw holes on top and side of main bed rack frame. Make sure that stamped letter on corner bracket piece is oriented upward towards the top rail.

**NOTICE**

Left rear bracket shown, other assemblies similar.

**NOTICE**

Left brackets are stamped with the letter "A", right brackets are stamped with the letter "B".

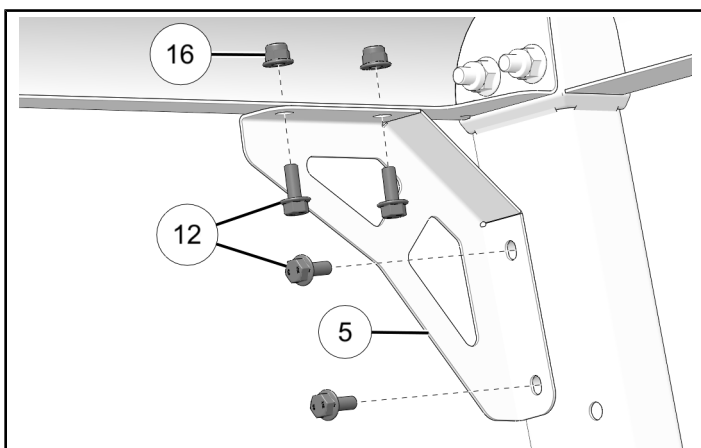


4. Loosely install corner bracket ⑤ using screws ⑫ and nuts ⑯. Install with hardware on the interior of the assembly.

**NOTICE**

Left rear assembly shown, other assemblies similar.

DO NOT torque fasteners at this time.

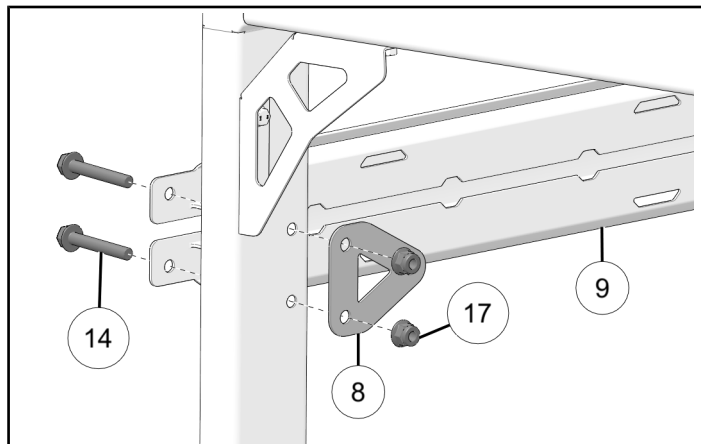


5. Loosely install side rails ⑨ and support plates ⑧ to bed rack frame using screws ⑭ and nuts ⑰, repeat installation for other end of the side rail.

**NOTICE**

One assembly shown, four assemblies included.

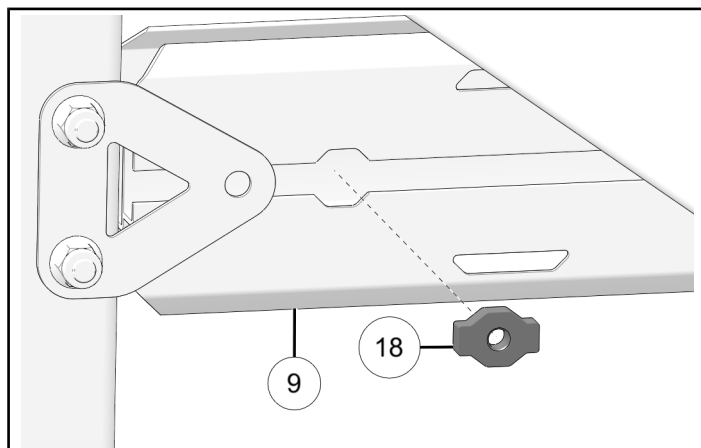
DO NOT torque fasteners at this time.



6. Install T-nuts ⑱ to side rail ⑨, repeat installation for the other end of the side rail.

**NOTICE**

One assembly shown, four assemblies included.

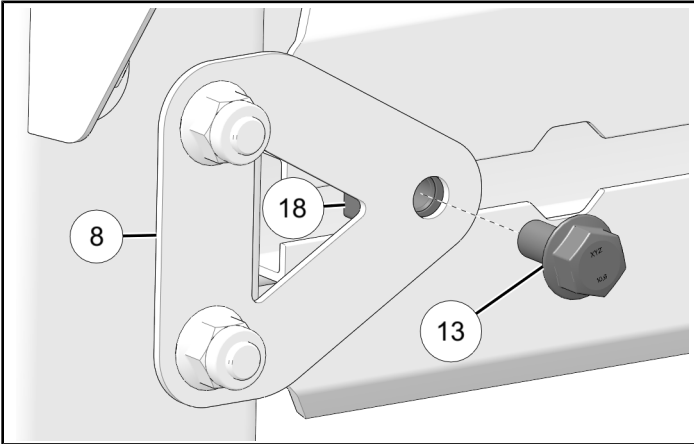


7. Align T-nuts **18** to support plates **8** and loosely attach with screw **13**, repeat step for the other end.

**NOTICE**

One assembly shown, four assemblies included.

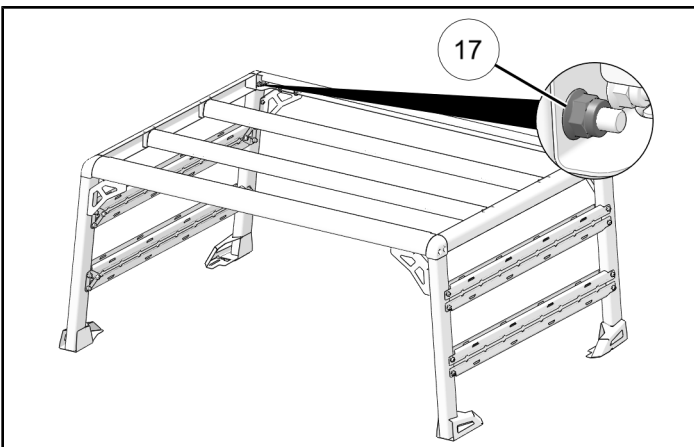
DO NOT torque fasteners at this time.



8. Torque all top rail hardware to specification.

**TORQUE**

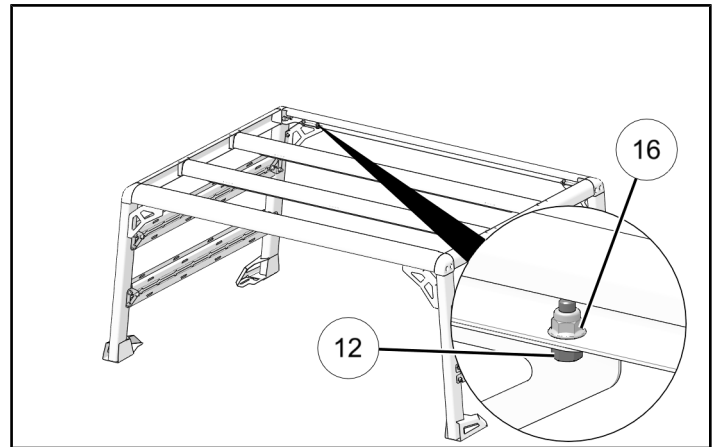
Side Frame Nuts **17**:  
**16.2 ft-lbs (22 N·m)**



9. Torque all corner frame hardware to specification.

**TORQUE**

Corner Frame Screws **12**, Corner Frame Nuts **16**:  
**8.8 ft-lbs (12 N·m)**



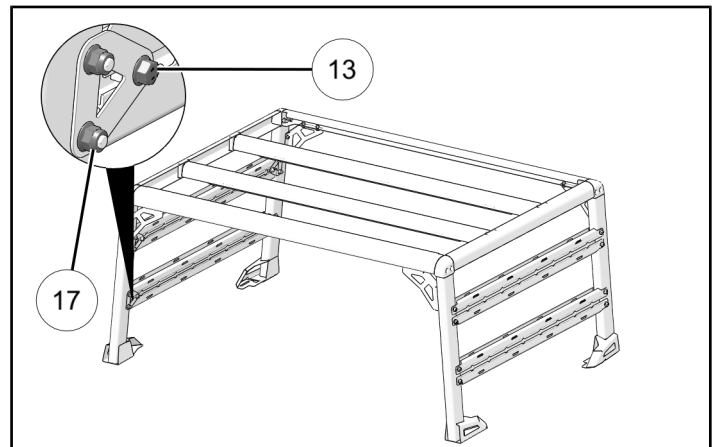
10. Torque all side rail hardware to specification.

**TORQUE**

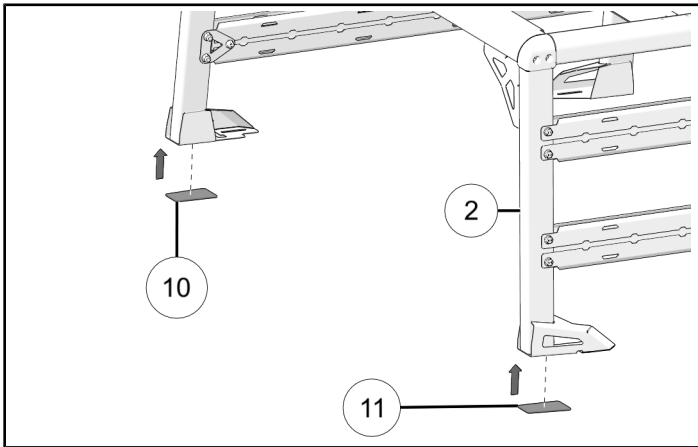
Side Rail Nuts **17**:  
**8.8 ft-lbs (12 N·m)**

**TORQUE**

Side Rail Screws **13**:  
**16.2 ft-lbs (22 N·m)**



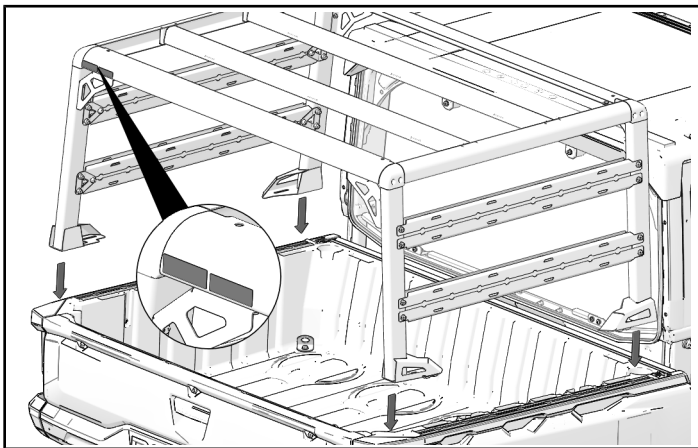
11. Install left ⑪ and right ⑩ rubber pads to the feet of the rear facing side frame ②.



12. Set rack on cargo box with taller end closer to the cab

**NOTICE**

Front of rack will be level with the cab, and warning decals will be facing rear when installed correctly as shown below.



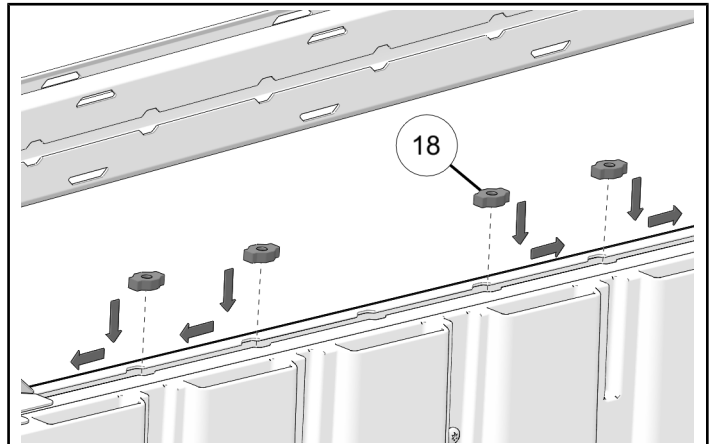
13. Install T-nuts ⑱ in bed rail on cargo box, slide two to each end of the bed rail.

**NOTICE**

Left side shown, right side similar.

**TIP**

A small "L-Allen key can be used to locate and move the T-nuts.

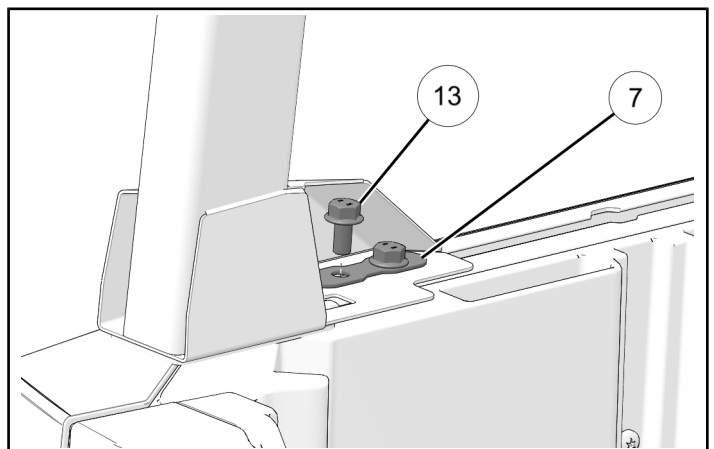


14. Loosely install screws ⑲ into previously installed T-nuts to attach bed rack mount bracket ⑦ to bed rack rail.

**NOTICE**

One assembly shown, four assemblies included.

**DO NOT** torque fasteners at this time.



15. Torque all bed rack screws to specification.

**TORQUE**

Bed Rack Screws ⑬:  
**16.2 ft-lbs (22 N·m)**

